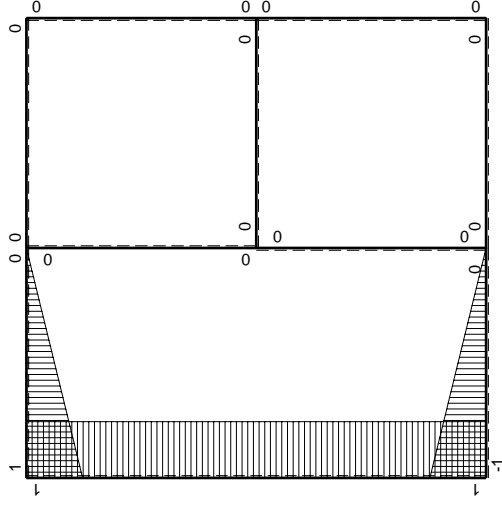


Schema di calcolo iperstatico

M_0 flessione da carichi assegnati



M_x flessione da iperstatica $X=1$

Quadro contributi PLV per iperstatica $X=W_{AB}$

→	$M_x(x)$	$M_o(x)$	θ	$M_x M_o$	$M_x \theta$	$M_x M_x$	$\int M_x(M_o/EJ+\theta)dx$	$\int X M_x M_x/EJdx$	
AB b	$-1+x/b$	$-3/2Fx-1/2qx^2$	0	$3/2Fx-Fx^2/b-1/2qx^3/b$	0	$1-2x/b+x^2/b^2$	$(7/24+0)Fb^2/EJ$	$1/3Xb/EJ$	
BA b	x/b	$2Fb-5/2Fx+1/2qx^2$	0	$2Fx-5/2Fx^2/b+1/2qx^3/b$	0	x^2/b^2			
BC b	0	$-2Fb+2Fx$	$-Fb/EJ$	0	0	0	0+0	0	
CB b	0	$2Fx$	Fb/EJ	0	0	0			
AD 2b	1	$1/4Fx$	0	$1/4Fx$	0	1	$(1/2+0)Fb^2/EJ$	$2Xb/EJ$	
DA 2b	-1	$-1/2Fb+1/4Fx$	0	$1/2Fb-1/4Fx$	0	1			
DE b	$1-x/b$	$1/2Fb-Fx$	0	$1/2Fb-3/2Fx+Fx^2/b$	0	$1-2x/b+x^2/b^2$	$(1/12+0)Fb^2/EJ$	$1/3Xb/EJ$	
ED b	$-x/b$	$1/2Fb-Fx$	0	$-1/2Fx+Fx^2/b$	0	x^2/b^2			
EF b	0	$-1/2Fb+Fx-1/2qx^2$	0	0	0	0	0+0	0	
FE b	0	$1/2qx^2$	0	0	0	0			
FG b	0	0	0	0	0	0	0+0	0	
GF b	0	0	0	0	0	0			
GC b	0	0	0	0	0	0	0+0	0	
CG b	0	0	0	0	0	0			
HG b	0	0	0	0	0	0	0+0	0	
GH b	0	0	0	0	0	0			
HB b	0	$-1/4Fb+3/4Fx-1/2qx^2$	0	0	0	0	0+0	0	
BH b	0	$-1/4Fx+1/2qx^2$	0	0	0	0			
HE b	0	$1/4Fb-1/4Fx$	0	0	0	0	0+0	0	
EH b	0	$-1/4Fx$	0	0	0	0			
AB	molla asta $-W_{1AB}(W_{0AB}+XW_{1AB})/k_{AB}$								$1/4Xb/EJ$
	totali							$7/8Fb^2/EJ$	$35/12Xb/EJ$
	iperstatica $X=W_{AB}$							$-3/10Fb$	

Sviluppi di calcolo iperstatica

$$L_{AB}^{xx} = \int_0^b (1 - 2x/b + x^2/b^2) \cdot 1/EJ \, dx + 1 \cdot 1/4 \cdot b/EJ = \left[x - x^2/b + 1/3 x^3/b^2 \right]_0^b \cdot 1/EJ + 1 \cdot 1/4 \cdot b/EJ$$

$$= (b - b + 1/3 b) \cdot 1/EJ + 1 \cdot 1/4 \cdot b/EJ = 7/12 \cdot b/EJ$$

$$L_{BA}^{xx} = \int_0^b (x^2/b^2) \cdot 1/EJ \, dx + 1 \cdot 1/4 \cdot b/EJ = \left[1/3 x^3/b^2 \right]_0^b \cdot 1/EJ + 1 \cdot 1/4 \cdot b/EJ$$

$$= (1/3 b) \cdot 1/EJ + 1 \cdot 1/4 \cdot b/EJ = 7/12 \cdot b/EJ$$

$$L_{AD}^{xx} = \int_0^{2b} (1) \cdot 1/EJ \, dx = \left[x \right]_0^{2b} \cdot 1/EJ$$

$$= (2b) \cdot 1/EJ = 2 \cdot b/EJ$$

$$L_{DA}^{xx} = \int_0^{2b} (1) \cdot 1/EJ \, dx = \left[x \right]_0^{2b} \cdot 1/EJ$$

$$= (2b) \cdot 1/EJ = 2 \cdot b/EJ$$

$$L_{DE}^{xx} = \int_0^b (1 - 2x/b + x^2/b^2) \cdot 1/EJ \, dx = \left[x - x^2/b + 1/3 x^3/b^2 \right]_0^b \cdot 1/EJ$$

$$= (b - b + 1/3 b) \cdot 1/EJ = 1/3 \cdot b/EJ$$

$$L_{ED}^{xx} = \int_0^b (x^2/b^2) \cdot 1/EJ \, dx = \left[1/3 x^3/b^2 \right]_0^b \cdot 1/EJ$$

$$= (1/3 b) \cdot 1/EJ = 1/3 \cdot b/EJ$$

$$L_{AB}^{xo} = \int_0^b (3/2 x/b - x^2/b^2 - 1/2 x^3/b^3) \cdot Fb \cdot 1/EJ \, dx + 1 \cdot 0 \cdot 1/4 \cdot Fb^2/EJ$$

$$= \left[3/4 x^2/b - 1/3 x^3/b^2 - 1/8 x^4/b^3 \right]_0^b \cdot Fb \cdot 1/EJ + 1 \cdot 0 \cdot 1/4 \cdot Fb^2/EJ$$

$$= (3/4 b - 1/3 b - 1/8 b) \cdot Fb \cdot 1/EJ + 1 \cdot 0 \cdot 1/4 \cdot Fb^2/EJ = 7/24 \cdot Fb^2/EJ$$

$$L_{BA}^{xo} = \int_0^b (2x/b - 5/2 x^2/b^2 + 1/2 x^3/b^3) \cdot Fb \cdot 1/EJ \, dx + 1 \cdot 0 \cdot 1/4 \cdot Fb^2/EJ$$

$$= \left[x^2/b - 5/6 x^3/b^2 + 1/8 x^4/b^3 \right]_0^b \cdot Fb \cdot 1/EJ + 1 \cdot 0 \cdot 1/4 \cdot Fb^2/EJ$$

$$= (b - 5/6 b + 1/8 b) \cdot Fb \cdot 1/EJ + 1 \cdot 0 \cdot 1/4 \cdot Fb^2/EJ = 7/24 \cdot Fb^2/EJ$$

$$L_{AD}^{xo} = \int_0^{2b} (1/4 x/b) \cdot Fb \cdot 1/EJ \, dx = \left[1/8 x^2/b \right]_0^{2b} \cdot Fb \cdot 1/EJ$$

$$= (1/2 b) \cdot Fb \cdot 1/EJ = 1/2 \cdot Fb^2/EJ$$

$$L_{DA}^{xo} = \int_0^{2b} (1/2 - 1/4 x/b) \cdot Fb \cdot 1/EJ \, dx = \left[1/2 x - 1/8 x^2/b \right]_0^{2b} \cdot Fb \cdot 1/EJ$$

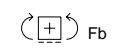
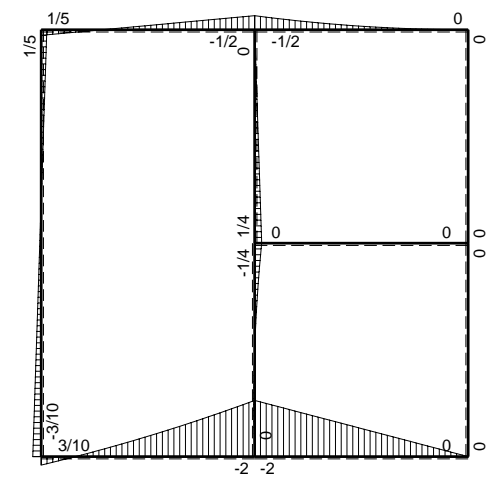
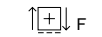
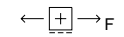
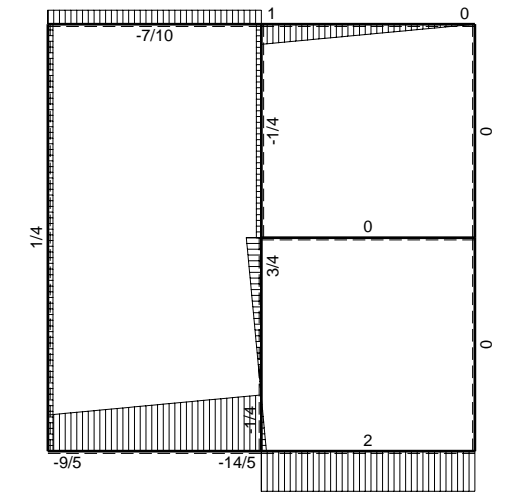
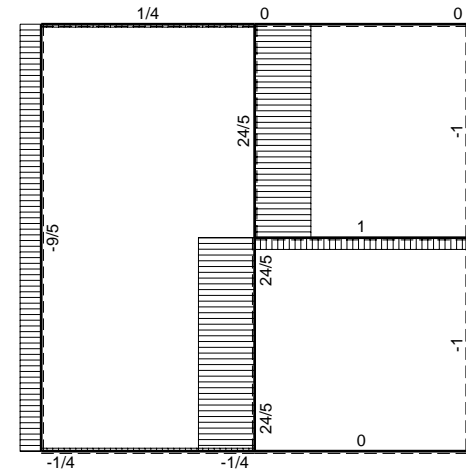
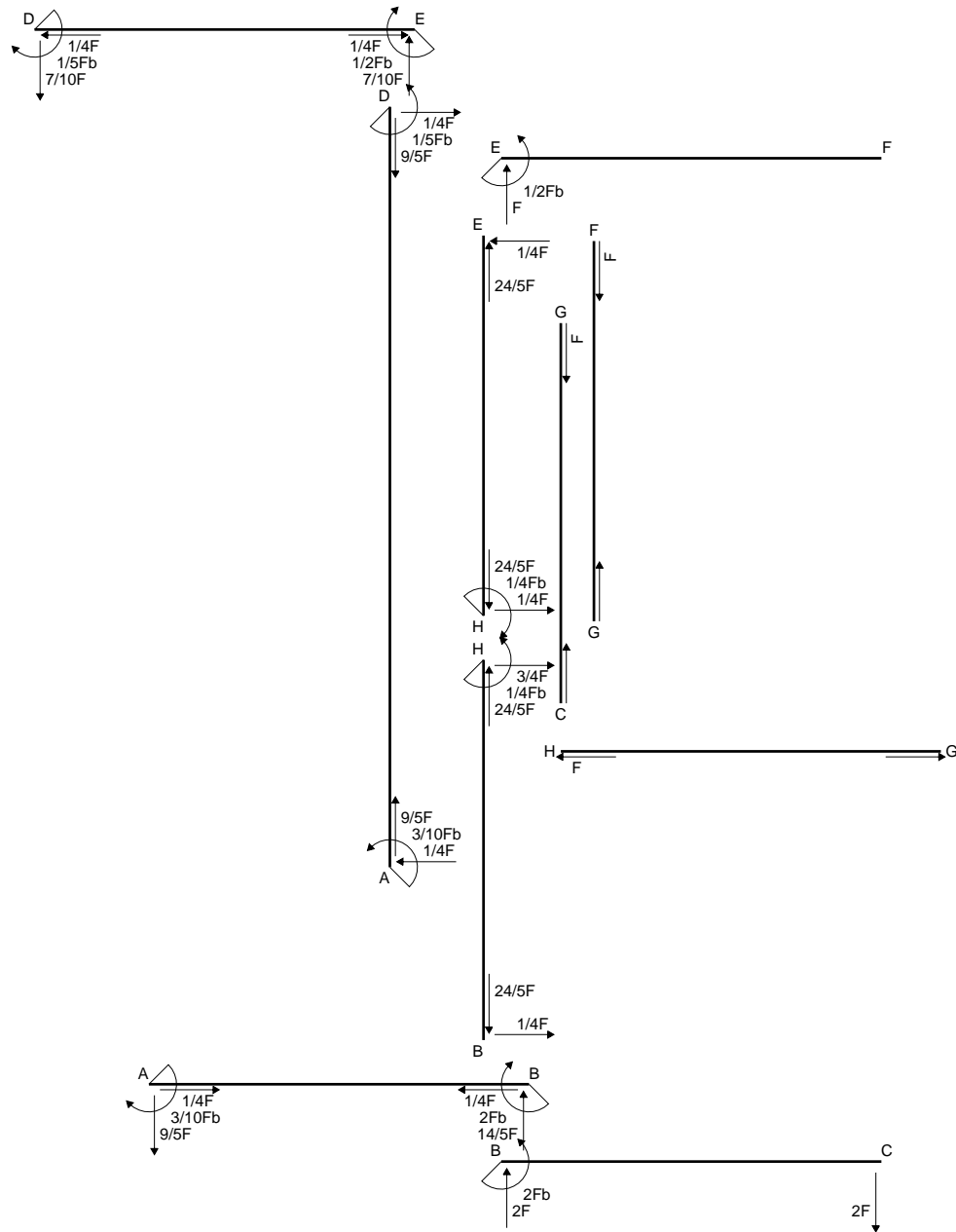
$$= (b - 1/2 b) \cdot Fb \cdot 1/EJ = 1/2 \cdot Fb^2/EJ$$

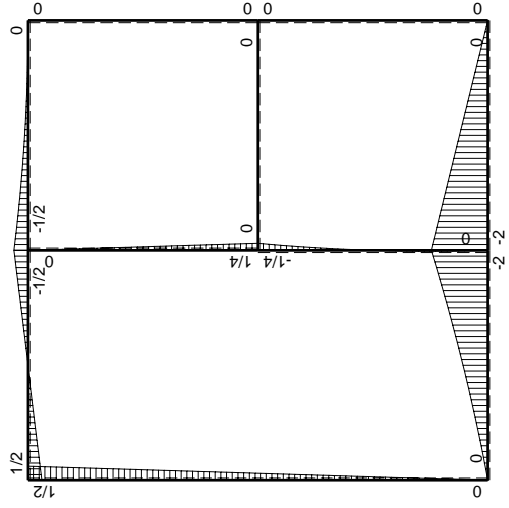
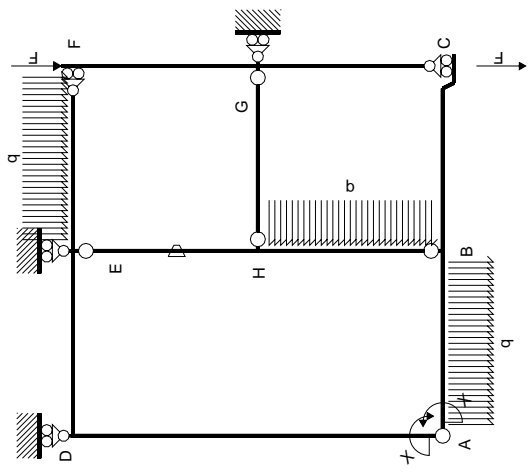
$$L_{DE}^{xo} = \int_0^b (1/2 - 3/2 x/b + x^2/b^2) \cdot Fb \cdot 1/EJ \, dx = \left[1/2 x - 3/4 x^2/b + 1/3 x^3/b^2 \right]_0^b \cdot Fb \cdot 1/EJ$$

$$= (1/2 b - 3/4 b + 1/3 b) \cdot Fb \cdot 1/EJ = 1/12 \cdot Fb^2/EJ$$

$$L_{ED}^{xo} = \int_0^b (-1/2 x/b + x^2/b^2) \cdot Fb \cdot 1/EJ \, dx = \left[-1/4 x^2/b + 1/3 x^3/b^2 \right]_0^b \cdot Fb \cdot 1/EJ$$

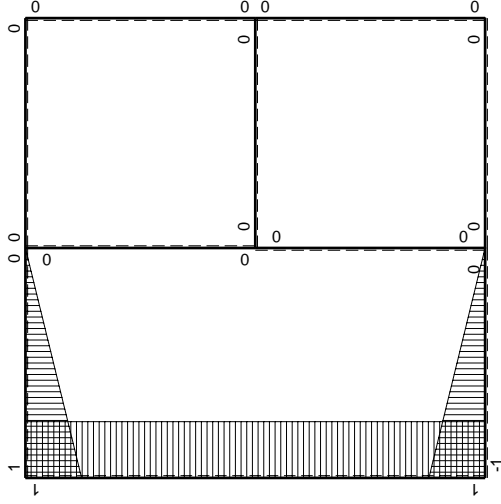
$$= (-1/4 b + 1/3 b) \cdot Fb \cdot 1/EJ = 1/12 \cdot Fb^2/EJ$$





Schema di calcolo iperstatico

M_0 flessione da carichi assegnati



M_x flessione da iperstatica $X=1$

Quadro contributi PLV per iperstatica $X=W_{AB}$

→	$M_x(x)$	$M_o(x)$	θ	$M_x M_o$	$M_x \theta$	$M_x M_x$	$\int M_x(M_o/EJ+\theta)dx$	$\int X M_x M_x/EJdx$
AB b	$-1+x/b$	$-3/2Fx-1/2qx^2$	0	$3/2Fx-Fx^2/b-1/2qx^3/b$	0	$1-2x/b+x^2/b^2$	$(7/24+0)Fb^2/EJ$	$1/3Xb/EJ$
BA b	x/b	$2Fb-5/2Fx+1/2qx^2$	0	$2Fx-5/2Fx^2/b+1/2qx^3/b$	0	x^2/b^2		
BC b	0	$-2Fb+2Fx$	0	0	0	0	0+0	0
CB b	0	$2Fx$	0	0	0	0		
AD 2b	1	$1/4Fx$	0	$1/4Fx$	0	1	$(1/2+0)Fb^2/EJ$	$2Xb/EJ$
DA 2b	-1	$-1/2Fb+1/4Fx$	0	$1/2Fb-1/4Fx$	0	1		
DE b	$1-x/b$	$1/2Fb-Fx$	0	$1/2Fb-3/2Fx+Fx^2/b$	0	$1-2x/b+x^2/b^2$	$(1/12+0)Fb^2/EJ$	$1/3Xb/EJ$
ED b	$-x/b$	$1/2Fb-Fx$	0	$-1/2Fx+Fx^2/b$	0	x^2/b^2		
EF b	0	$-1/2Fb+Fx-1/2qx^2$	0	0	0	0	0+0	0
FE b	0	$1/2qx^2$	0	0	0	0		
FG b	0	0	0	0	0	0	0+0	0
GF b	0	0	0	0	0	0		
GC b	0	0	0	0	0	0	0+0	0
CG b	0	0	0	0	0	0		
HG b	0	0	0	0	0	0	0+0	0
GH b	0	0	0	0	0	0		
HB b	0	$-1/4Fb+3/4Fx-1/2qx^2$	0	0	0	0	0+0	0
BH b	0	$-1/4Fx+1/2qx^2$	0	0	0	0		
HE b	0	$1/4Fb-1/4Fx$	$-Fb/EJ$	0	0	0	0+0	0
EH b	0	$-1/4Fx$	Fb/EJ	0	0	0		
AB	molla asta $-W_{1AB}(W_{0AB}+XW_{1AB})/k_{AB}$							$1/4Xb/EJ$
	totali						$7/8Fb^2/EJ$	$35/12Xb/EJ$
	iperstatica $X=W_{AB}$						$-3/10Fb$	

Sviluppi di calcolo iperstatica

$$L_{AB}^{xx} = \int_0^b (1 - 2x/b + x^2/b^2) \frac{1}{EJ} dx + 1 \cdot \frac{1}{4} \frac{b}{EJ} = \left[x - x^2/b + 1/3 x^3/b^2 \right]_0^b \frac{1}{EJ} + 1 \cdot \frac{1}{4} \frac{b}{EJ}$$

$$= (b - b + 1/3 b) \frac{1}{EJ} + 1 \cdot \frac{1}{4} \frac{b}{EJ} = 7/12 \frac{b}{EJ}$$

$$L_{BA}^{xx} = \int_0^b (x^2/b^2) \frac{1}{EJ} dx + 1 \cdot \frac{1}{4} \frac{b}{EJ} = \left[1/3 x^3/b^2 \right]_0^b \frac{1}{EJ} + 1 \cdot \frac{1}{4} \frac{b}{EJ}$$

$$= (1/3 b) \frac{1}{EJ} + 1 \cdot \frac{1}{4} \frac{b}{EJ} = 7/12 \frac{b}{EJ}$$

$$L_{AD}^{xx} = \int_0^{2b} (1) \frac{1}{EJ} dx = \left[x \right]_0^{2b} \frac{1}{EJ}$$

$$= (2b) \frac{1}{EJ} = 2 \frac{b}{EJ}$$

$$L_{DA}^{xx} = \int_0^{2b} (1) \frac{1}{EJ} dx = \left[x \right]_0^{2b} \frac{1}{EJ}$$

$$= (2b) \frac{1}{EJ} = 2 \frac{b}{EJ}$$

$$L_{DE}^{xx} = \int_0^b (1 - 2x/b + x^2/b^2) \frac{1}{EJ} dx = \left[x - x^2/b + 1/3 x^3/b^2 \right]_0^b \frac{1}{EJ}$$

$$= (b - b + 1/3 b) \frac{1}{EJ} = 1/3 \frac{b}{EJ}$$

$$L_{ED}^{xx} = \int_0^b (x^2/b^2) \frac{1}{EJ} dx = \left[1/3 x^3/b^2 \right]_0^b \frac{1}{EJ}$$

$$= (1/3 b) \frac{1}{EJ} = 1/3 \frac{b}{EJ}$$

$$L_{AB}^{xo} = \int_0^b (3/2 x/b - x^2/b^2 - 1/2 x^3/b^3) Fb \frac{1}{EJ} dx + 1 \cdot 0 \cdot \frac{1}{4} \frac{Fb^2}{EJ}$$

$$= \left[3/4 x^2/b - 1/3 x^3/b^2 - 1/8 x^4/b^3 \right]_0^b Fb \frac{1}{EJ} + 1 \cdot 0 \cdot \frac{1}{4} \frac{Fb^2}{EJ}$$

$$= (3/4 b - 1/3 b - 1/8 b) Fb \frac{1}{EJ} + 1 \cdot 0 \cdot \frac{1}{4} \frac{Fb^2}{EJ} = 7/24 \frac{Fb^2}{EJ}$$

$$L_{BA}^{xo} = \int_0^b (2x/b - 5/2 x^2/b^2 + 1/2 x^3/b^3) Fb \frac{1}{EJ} dx + 1 \cdot 0 \cdot \frac{1}{4} \frac{Fb^2}{EJ}$$

$$= \left[x^2/b - 5/6 x^3/b^2 + 1/8 x^4/b^3 \right]_0^b Fb \frac{1}{EJ} + 1 \cdot 0 \cdot \frac{1}{4} \frac{Fb^2}{EJ}$$

$$= (b - 5/6 b + 1/8 b) Fb \frac{1}{EJ} + 1 \cdot 0 \cdot \frac{1}{4} \frac{Fb^2}{EJ} = 7/24 \frac{Fb^2}{EJ}$$

$$L_{AD}^{xo} = \int_0^{2b} (1/4 x/b) Fb \frac{1}{EJ} dx = \left[1/8 x^2/b \right]_0^{2b} Fb \frac{1}{EJ}$$

$$= (1/2 b) Fb \frac{1}{EJ} = 1/2 \frac{Fb^2}{EJ}$$

$$L_{DA}^{xo} = \int_0^{2b} (1/2 - 1/4 x/b) Fb \frac{1}{EJ} dx = \left[1/2 x - 1/8 x^2/b \right]_0^{2b} Fb \frac{1}{EJ}$$

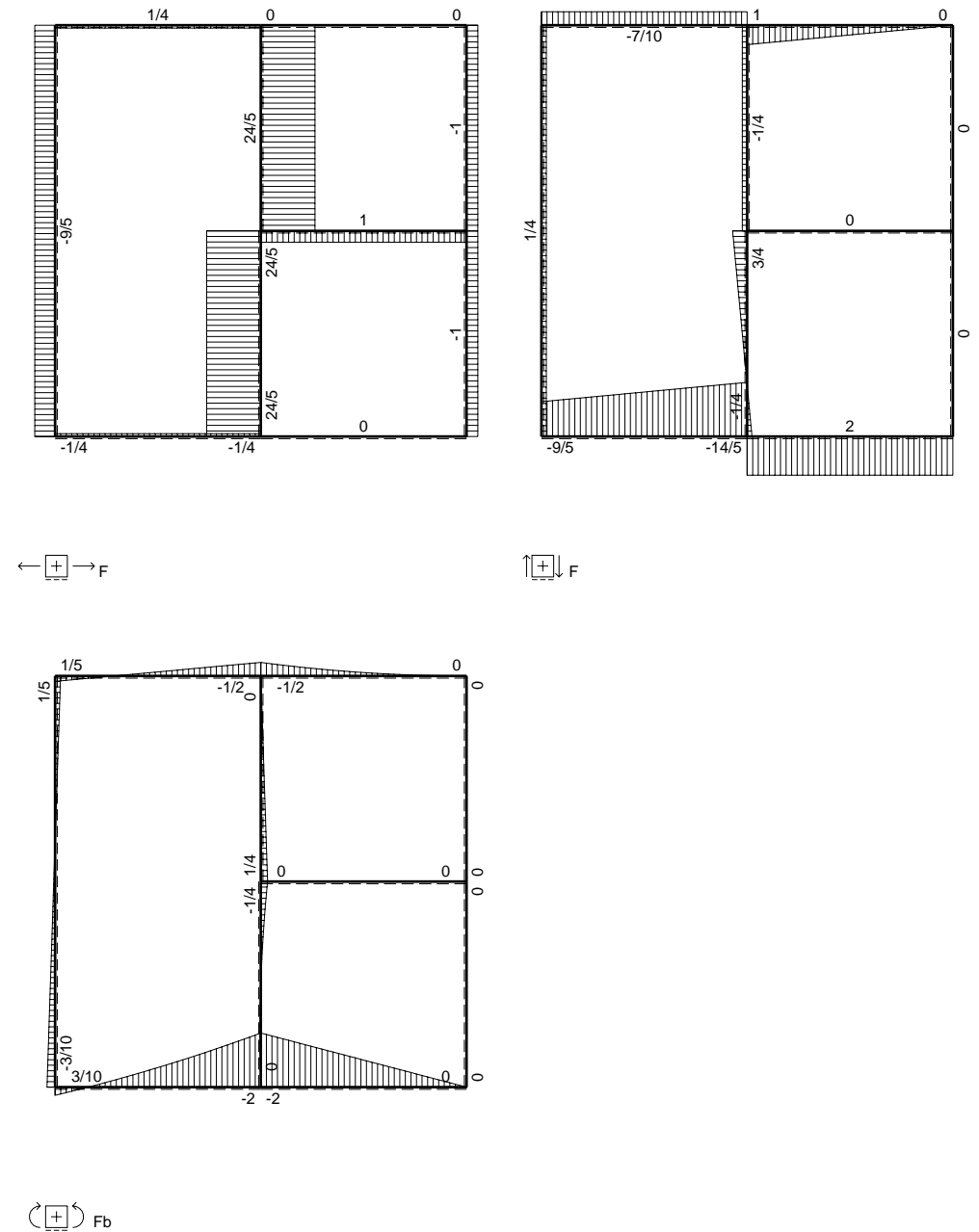
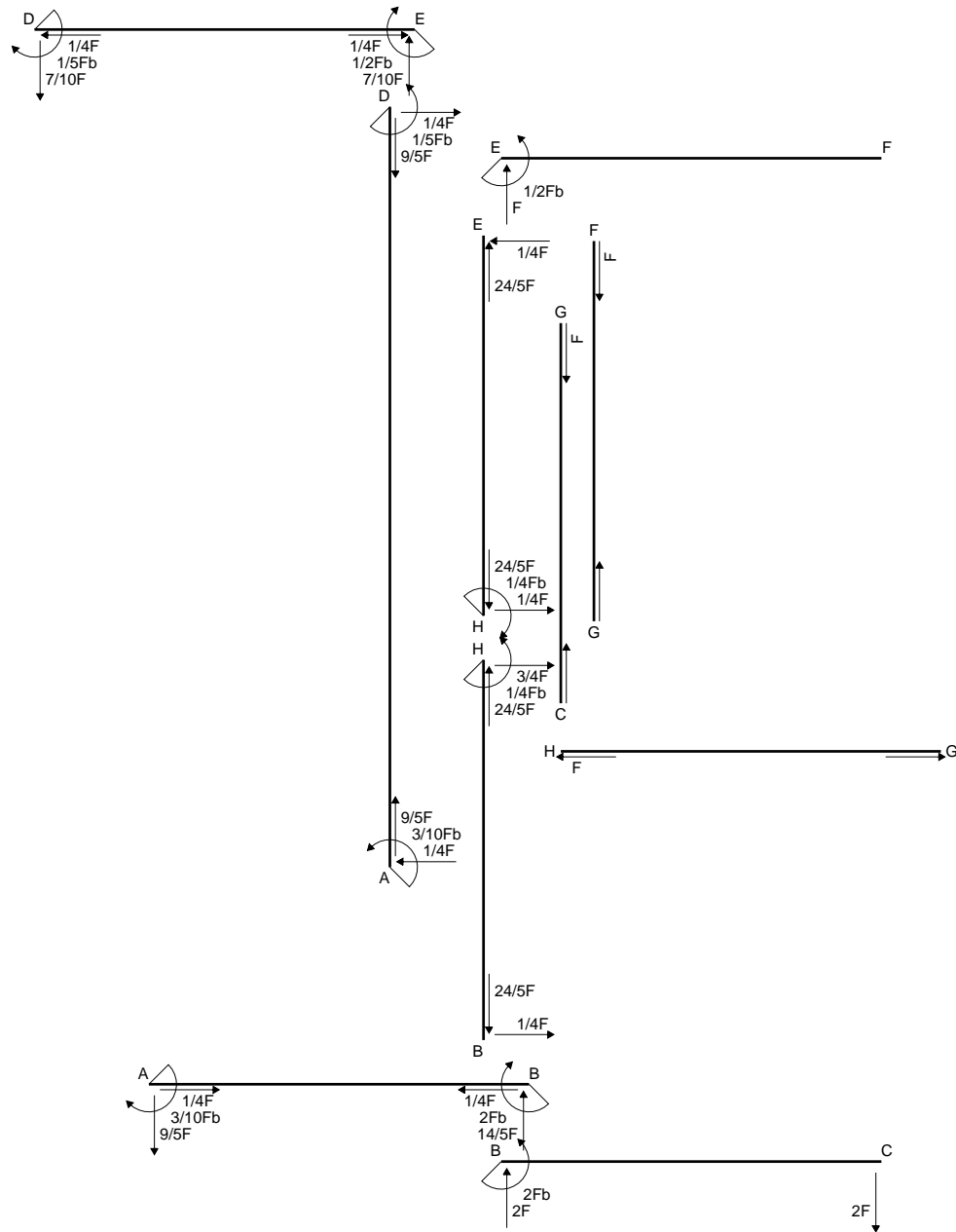
$$= (b - 1/2 b) Fb \frac{1}{EJ} = 1/2 \frac{Fb^2}{EJ}$$

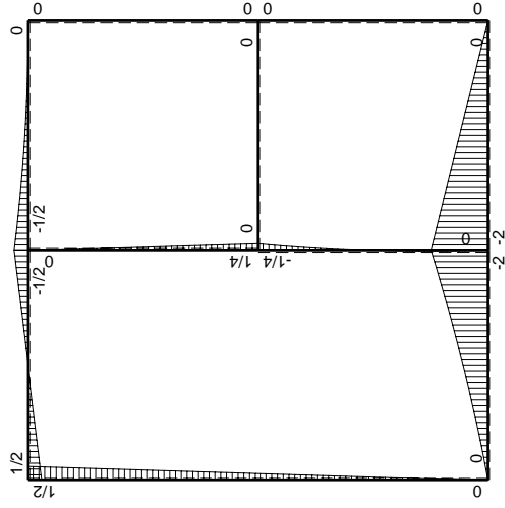
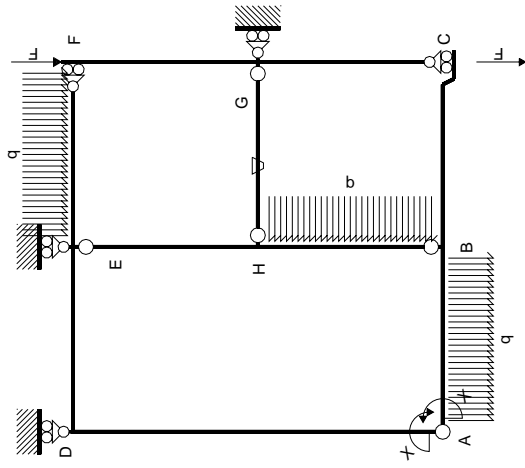
$$L_{DE}^{xo} = \int_0^b (1/2 - 3/2 x/b + x^2/b^2) Fb \frac{1}{EJ} dx = \left[1/2 x - 3/4 x^2/b + 1/3 x^3/b^2 \right]_0^b Fb \frac{1}{EJ}$$

$$= (1/2 b - 3/4 b + 1/3 b) Fb \frac{1}{EJ} = 1/12 \frac{Fb^2}{EJ}$$

$$L_{ED}^{xo} = \int_0^b (-1/2 x/b + x^2/b^2) Fb \frac{1}{EJ} dx = \left[-1/4 x^2/b + 1/3 x^3/b^2 \right]_0^b Fb \frac{1}{EJ}$$

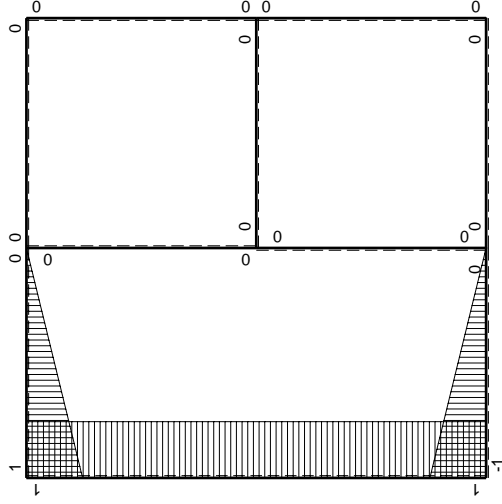
$$= (-1/4 b + 1/3 b) Fb \frac{1}{EJ} = 1/12 \frac{Fb^2}{EJ}$$





Schema di calcolo iperstatico

M_0 flessione da carichi assegnati



M_x flessione da iperstatica X=1

Quadro contributi PLV per iperstatica $X=W_{AB}$

→	$M_x(x)$	$M_o(x)$	θ	$M_x M_o$	$M_x \theta$	$M_x M_x$	$\int M_x(M_o/EJ+\theta)dx$	$\int X M_x M_x/EJdx$
AB b	$-1+x/b$	$-3/2Fx-1/2qx^2$	0	$3/2Fx-Fx^2/b-1/2qx^3/b$	0	$1-2x/b+x^2/b^2$	$(7/24+0)Fb^2/EJ$	$1/3Xb/EJ$
BA b	x/b	$2Fb-5/2Fx+1/2qx^2$	0	$2Fx-5/2Fx^2/b+1/2qx^3/b$	0	x^2/b^2		
BC b	0	$-2Fb+2Fx$	0	0	0	0	0+0	0
CB b	0	$2Fx$	0	0	0	0		
AD 2b	1	$1/4Fx$	0	$1/4Fx$	0	1	$(1/2+0)Fb^2/EJ$	$2Xb/EJ$
DA 2b	-1	$-1/2Fb+1/4Fx$	0	$1/2Fb-1/4Fx$	0	1		
DE b	$1-x/b$	$1/2Fb-Fx$	0	$1/2Fb-3/2Fx+Fx^2/b$	0	$1-2x/b+x^2/b^2$	$(1/12+0)Fb^2/EJ$	$1/3Xb/EJ$
ED b	$-x/b$	$1/2Fb-Fx$	0	$-1/2Fx+Fx^2/b$	0	x^2/b^2		
EF b	0	$-1/2Fb+Fx-1/2qx^2$	0	0	0	0	0+0	0
FE b	0	$1/2qx^2$	0	0	0	0		
FG b	0	0	0	0	0	0	0+0	0
GF b	0	0	0	0	0	0		
GC b	0	0	0	0	0	0	0+0	0
CG b	0	0	0	0	0	0		
HG b	0	0	$-Fb/EJ$	0	0	0	0+0	0
GH b	0	0	Fb/EJ	0	0	0		
HB b	0	$-1/4Fb+3/4Fx-1/2qx^2$	0	0	0	0	0+0	0
BH b	0	$-1/4Fx+1/2qx^2$	0	0	0	0		
HE b	0	$1/4Fb-1/4Fx$	0	0	0	0	0+0	0
EH b	0	$-1/4Fx$	0	0	0	0		
AB	molla asta $-W_{1AB}(W_{0AB}+XW_{1AB})/k_{AB}$							$1/4Xb/EJ$
	totali						$7/8Fb^2/EJ$	$35/12Xb/EJ$
	iperstatica $X=W_{AB}$						$-3/10Fb$	

Sviluppi di calcolo iperstatica

$$L_{AB}^{xx} = \int_0^b (1 - 2x/b + x^2/b^2) \frac{1}{EJ} dx + 1 \cdot \frac{1}{4} \frac{b}{EJ} = \left[x - x^2/b + 1/3 x^3/b^2 \right]_0^b \frac{1}{EJ} + 1 \cdot \frac{1}{4} \frac{b}{EJ}$$

$$= (b - b + 1/3 b) \frac{1}{EJ} + 1 \cdot \frac{1}{4} \frac{b}{EJ} = 7/12 \frac{b}{EJ}$$

$$L_{BA}^{xx} = \int_0^b (x^2/b^2) \frac{1}{EJ} dx + 1 \cdot \frac{1}{4} \frac{b}{EJ} = \left[1/3 x^3/b^2 \right]_0^b \frac{1}{EJ} + 1 \cdot \frac{1}{4} \frac{b}{EJ}$$

$$= (1/3 b) \frac{1}{EJ} + 1 \cdot \frac{1}{4} \frac{b}{EJ} = 7/12 \frac{b}{EJ}$$

$$L_{AD}^{xx} = \int_0^{2b} (1) \frac{1}{EJ} dx = \left[x \right]_0^{2b} \frac{1}{EJ}$$

$$= (2b) \frac{1}{EJ} = 2 \frac{b}{EJ}$$

$$L_{DA}^{xx} = \int_0^{2b} (1) \frac{1}{EJ} dx = \left[x \right]_0^{2b} \frac{1}{EJ}$$

$$= (2b) \frac{1}{EJ} = 2 \frac{b}{EJ}$$

$$L_{DE}^{xx} = \int_0^b (1 - 2x/b + x^2/b^2) \frac{1}{EJ} dx = \left[x - x^2/b + 1/3 x^3/b^2 \right]_0^b \frac{1}{EJ}$$

$$= (b - b + 1/3 b) \frac{1}{EJ} = 1/3 \frac{b}{EJ}$$

$$L_{ED}^{xx} = \int_0^b (x^2/b^2) \frac{1}{EJ} dx = \left[1/3 x^3/b^2 \right]_0^b \frac{1}{EJ}$$

$$= (1/3 b) \frac{1}{EJ} = 1/3 \frac{b}{EJ}$$

$$L_{AB}^{xo} = \int_0^b (3/2 x/b - x^2/b^2 - 1/2 x^3/b^3) Fb \frac{1}{EJ} dx + 1 \cdot 0 \cdot \frac{1}{4} \frac{Fb^2}{EJ}$$

$$= \left[3/4 x^2/b - 1/3 x^3/b^2 - 1/8 x^4/b^3 \right]_0^b Fb \frac{1}{EJ} + 1 \cdot 0 \cdot \frac{1}{4} \frac{Fb^2}{EJ}$$

$$= (3/4 b - 1/3 b - 1/8 b) Fb \frac{1}{EJ} + 1 \cdot 0 \cdot \frac{1}{4} \frac{Fb^2}{EJ} = 7/24 \frac{Fb^2}{EJ}$$

$$L_{BA}^{xo} = \int_0^b (2x/b - 5/2 x^2/b^2 + 1/2 x^3/b^3) Fb \frac{1}{EJ} dx + 1 \cdot 0 \cdot \frac{1}{4} \frac{Fb^2}{EJ}$$

$$= \left[x^2/b - 5/6 x^3/b^2 + 1/8 x^4/b^3 \right]_0^b Fb \frac{1}{EJ} + 1 \cdot 0 \cdot \frac{1}{4} \frac{Fb^2}{EJ}$$

$$= (b - 5/6 b + 1/8 b) Fb \frac{1}{EJ} + 1 \cdot 0 \cdot \frac{1}{4} \frac{Fb^2}{EJ} = 7/24 \frac{Fb^2}{EJ}$$

$$L_{AD}^{xo} = \int_0^{2b} (1/4 x/b) Fb \frac{1}{EJ} dx = \left[1/8 x^2/b \right]_0^{2b} Fb \frac{1}{EJ}$$

$$= (1/2 b) Fb \frac{1}{EJ} = 1/2 \frac{Fb^2}{EJ}$$

$$L_{DA}^{xo} = \int_0^{2b} (1/2 - 1/4 x/b) Fb \frac{1}{EJ} dx = \left[1/2 x - 1/8 x^2/b \right]_0^{2b} Fb \frac{1}{EJ}$$

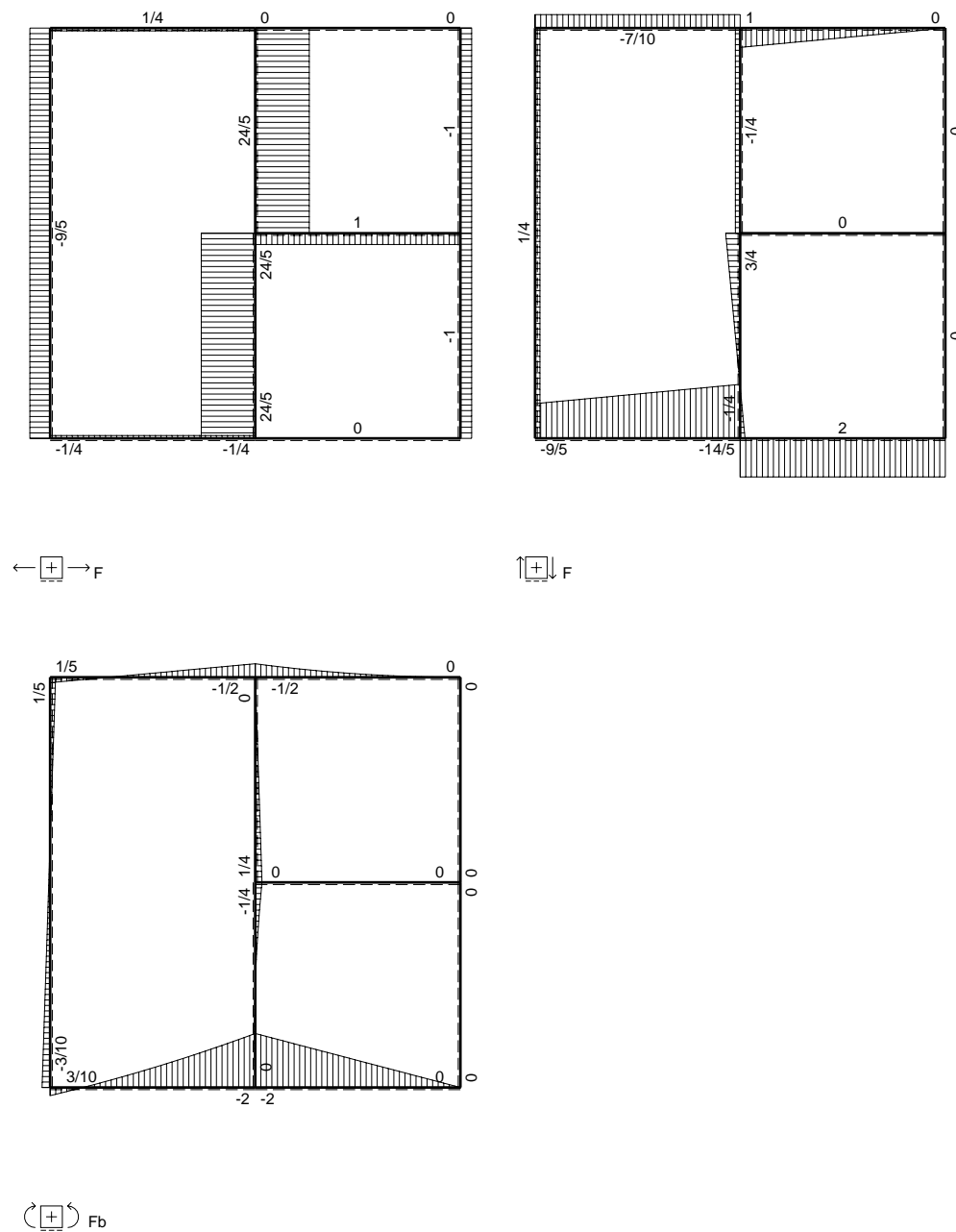
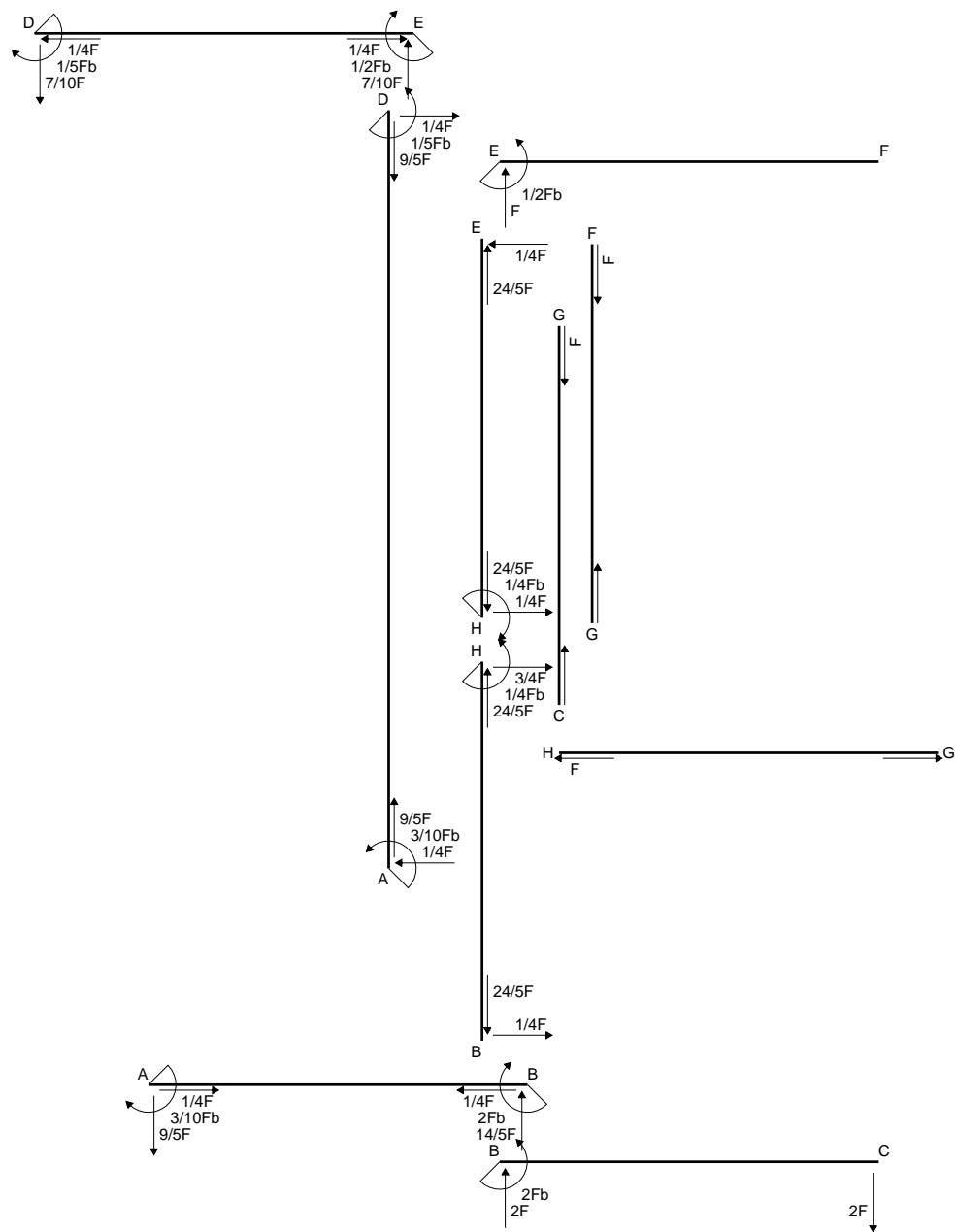
$$= (b - 1/2 b) Fb \frac{1}{EJ} = 1/2 \frac{Fb^2}{EJ}$$

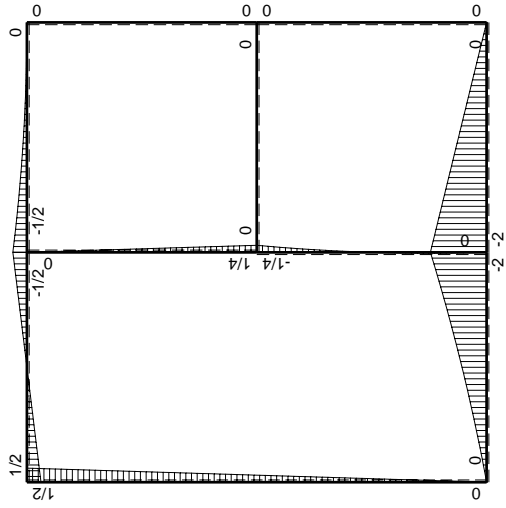
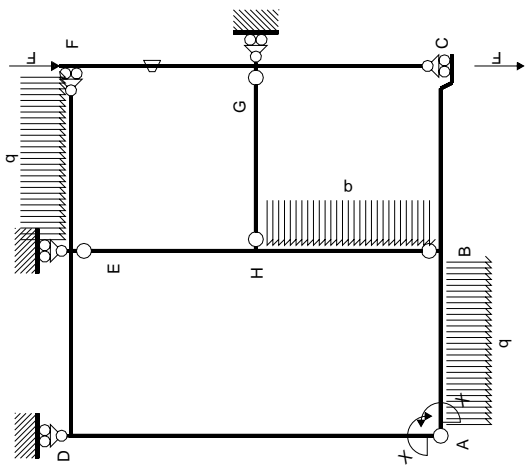
$$L_{DE}^{xo} = \int_0^b (1/2 - 3/2 x/b + x^2/b^2) Fb \frac{1}{EJ} dx = \left[1/2 x - 3/4 x^2/b + 1/3 x^3/b^2 \right]_0^b Fb \frac{1}{EJ}$$

$$= (1/2 b - 3/4 b + 1/3 b) Fb \frac{1}{EJ} = 1/12 \frac{Fb^2}{EJ}$$

$$L_{ED}^{xo} = \int_0^b (-1/2 x/b + x^2/b^2) Fb \frac{1}{EJ} dx = \left[-1/4 x^2/b + 1/3 x^3/b^2 \right]_0^b Fb \frac{1}{EJ}$$

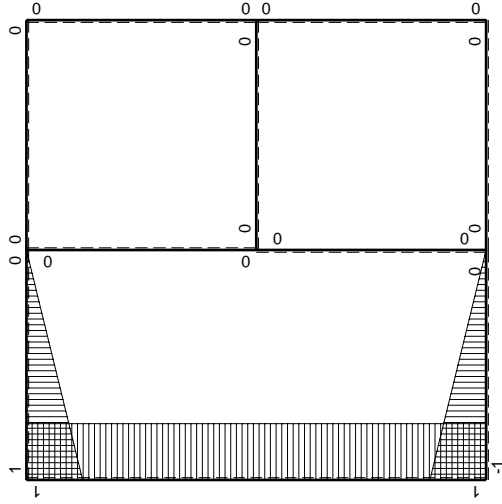
$$= (-1/4 b + 1/3 b) Fb \frac{1}{EJ} = 1/12 \frac{Fb^2}{EJ}$$





Schema di calcolo iperstatico

M_0 flessione da carichi assegnati



M_x flessione da iperstatica $X=1$

Quadro contributi PLV per iperstatica $X=W_{AB}$

→	$M_x(x)$	$M_o(x)$	θ	$M_x M_o$	$M_x \theta$	$M_x M_x$	$\int M_x(M_o/EJ+\theta)dx$	$\int X M_x M_x/EJ dx$
AB b	$-1+x/b$	$-3/2Fx-1/2qx^2$	0	$3/2Fx-Fx^2/b-1/2qx^3/b$	0	$1-2x/b+x^2/b^2$	$(7/24+0)Fb^2/EJ$	$1/3Xb/EJ$
BA b	x/b	$2Fb-5/2Fx+1/2qx^2$	0	$2Fx-5/2Fx^2/b+1/2qx^3/b$	0	x^2/b^2		
BC b	0	$-2Fb+2Fx$	0	0	0	0	0+0	0
CB b	0	$2Fx$	0	0	0	0		
AD 2b	1	$1/4Fx$	0	$1/4Fx$	0	1	$(1/2+0)Fb^2/EJ$	$2Xb/EJ$
DA 2b	-1	$-1/2Fb+1/4Fx$	0	$1/2Fb-1/4Fx$	0	1		
DE b	$1-x/b$	$1/2Fb-Fx$	0	$1/2Fb-3/2Fx+Fx^2/b$	0	$1-2x/b+x^2/b^2$	$(1/12+0)Fb^2/EJ$	$1/3Xb/EJ$
ED b	$-x/b$	$1/2Fb-Fx$	0	$-1/2Fx+Fx^2/b$	0	x^2/b^2		
EF b	0	$-1/2Fb+Fx-1/2qx^2$	0	0	0	0	0+0	0
FE b	0	$1/2qx^2$	0	0	0	0		
FG b	0	0	$-Fb/EJ$	0	0	0	0+0	0
GF b	0	0	Fb/EJ	0	0	0		
GC b	0	0	0	0	0	0	0+0	0
CG b	0	0	0	0	0	0		
HG b	0	0	0	0	0	0	0+0	0
GH b	0	0	0	0	0	0		
HB b	0	$-1/4Fb+3/4Fx-1/2qx^2$	0	0	0	0	0+0	0
BH b	0	$-1/4Fx+1/2qx^2$	0	0	0	0		
HE b	0	$1/4Fb-1/4Fx$	0	0	0	0	0+0	0
EH b	0	$-1/4Fx$	0	0	0	0		
AB	molla asta $-W_{1AB}(W_{0AB}+XW_{1AB})/k_{AB}$							$1/4Xb/EJ$
	totali						$7/8Fb^2/EJ$	$35/12Xb/EJ$
	iperstatica $X=W_{AB}$						$-3/10Fb$	

Sviluppi di calcolo iperstatica

$$L_{AB}^{xx} = \int_0^b (1 - 2x/b + x^2/b^2) \frac{1}{EJ} dx + 1 \cdot \frac{1}{4} \frac{b}{EJ} = \left[x - x^2/b + 1/3 x^3/b^2 \right]_0^b \frac{1}{EJ} + 1 \cdot \frac{1}{4} \frac{b}{EJ}$$

$$= (b - b + 1/3 b) \frac{1}{EJ} + 1 \cdot \frac{1}{4} \frac{b}{EJ} = 7/12 \frac{b}{EJ}$$

$$L_{BA}^{xx} = \int_0^b (x^2/b^2) \frac{1}{EJ} dx + 1 \cdot \frac{1}{4} \frac{b}{EJ} = \left[1/3 x^3/b^2 \right]_0^b \frac{1}{EJ} + 1 \cdot \frac{1}{4} \frac{b}{EJ}$$

$$= (1/3 b) \frac{1}{EJ} + 1 \cdot \frac{1}{4} \frac{b}{EJ} = 7/12 \frac{b}{EJ}$$

$$L_{AD}^{xx} = \int_0^{2b} (1) \frac{1}{EJ} dx = \left[x \right]_0^{2b} \frac{1}{EJ}$$

$$= (2b) \frac{1}{EJ} = 2 \frac{b}{EJ}$$

$$L_{DA}^{xx} = \int_0^{2b} (1) \frac{1}{EJ} dx = \left[x \right]_0^{2b} \frac{1}{EJ}$$

$$= (2b) \frac{1}{EJ} = 2 \frac{b}{EJ}$$

$$L_{DE}^{xx} = \int_0^b (1 - 2x/b + x^2/b^2) \frac{1}{EJ} dx = \left[x - x^2/b + 1/3 x^3/b^2 \right]_0^b \frac{1}{EJ}$$

$$= (b - b + 1/3 b) \frac{1}{EJ} = 1/3 \frac{b}{EJ}$$

$$L_{ED}^{xx} = \int_0^b (x^2/b^2) \frac{1}{EJ} dx = \left[1/3 x^3/b^2 \right]_0^b \frac{1}{EJ}$$

$$= (1/3 b) \frac{1}{EJ} = 1/3 \frac{b}{EJ}$$

$$L_{AB}^{xo} = \int_0^b (3/2 x/b - x^2/b^2 - 1/2 x^3/b^3) Fb \frac{1}{EJ} dx + 1 \cdot 0 \cdot \frac{1}{4} \frac{Fb^2}{EJ}$$

$$= \left[3/4 x^2/b - 1/3 x^3/b^2 - 1/8 x^4/b^3 \right]_0^b Fb \frac{1}{EJ} + 1 \cdot 0 \cdot \frac{1}{4} \frac{Fb^2}{EJ}$$

$$= (3/4 b - 1/3 b - 1/8 b) Fb \frac{1}{EJ} + 1 \cdot 0 \cdot \frac{1}{4} \frac{Fb^2}{EJ} = 7/24 \frac{Fb^2}{EJ}$$

$$L_{BA}^{xo} = \int_0^b (2x/b - 5/2 x^2/b^2 + 1/2 x^3/b^3) Fb \frac{1}{EJ} dx + 1 \cdot 0 \cdot \frac{1}{4} \frac{Fb^2}{EJ}$$

$$= \left[x^2/b - 5/6 x^3/b^2 + 1/8 x^4/b^3 \right]_0^b Fb \frac{1}{EJ} + 1 \cdot 0 \cdot \frac{1}{4} \frac{Fb^2}{EJ}$$

$$= (b - 5/6 b + 1/8 b) Fb \frac{1}{EJ} + 1 \cdot 0 \cdot \frac{1}{4} \frac{Fb^2}{EJ} = 7/24 \frac{Fb^2}{EJ}$$

$$L_{AD}^{xo} = \int_0^{2b} (1/4 x/b) Fb \frac{1}{EJ} dx = \left[1/8 x^2/b \right]_0^{2b} Fb \frac{1}{EJ}$$

$$= (1/2 b) Fb \frac{1}{EJ} = 1/2 \frac{Fb^2}{EJ}$$

$$L_{DA}^{xo} = \int_0^{2b} (1/2 - 1/4 x/b) Fb \frac{1}{EJ} dx = \left[1/2 x - 1/8 x^2/b \right]_0^{2b} Fb \frac{1}{EJ}$$

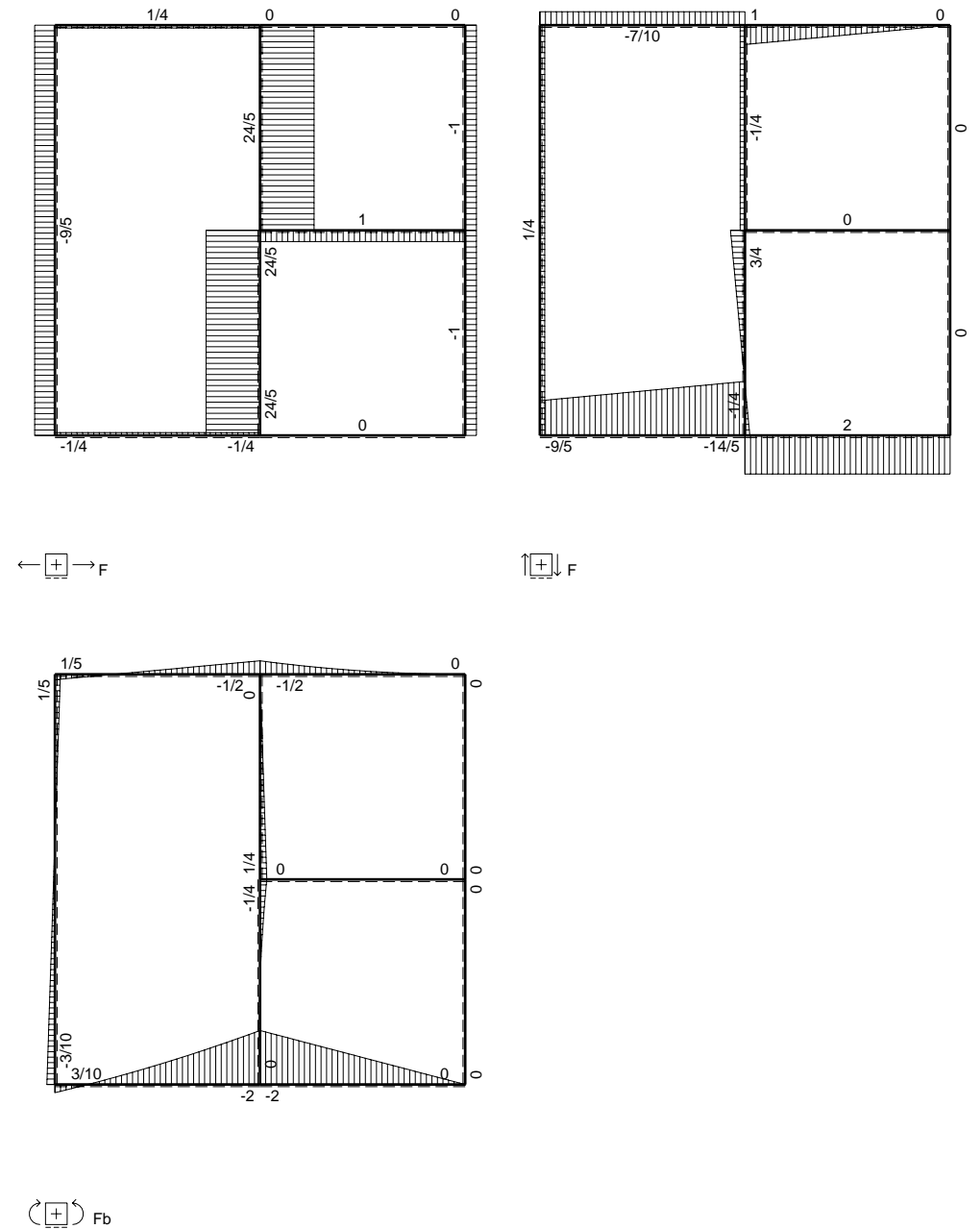
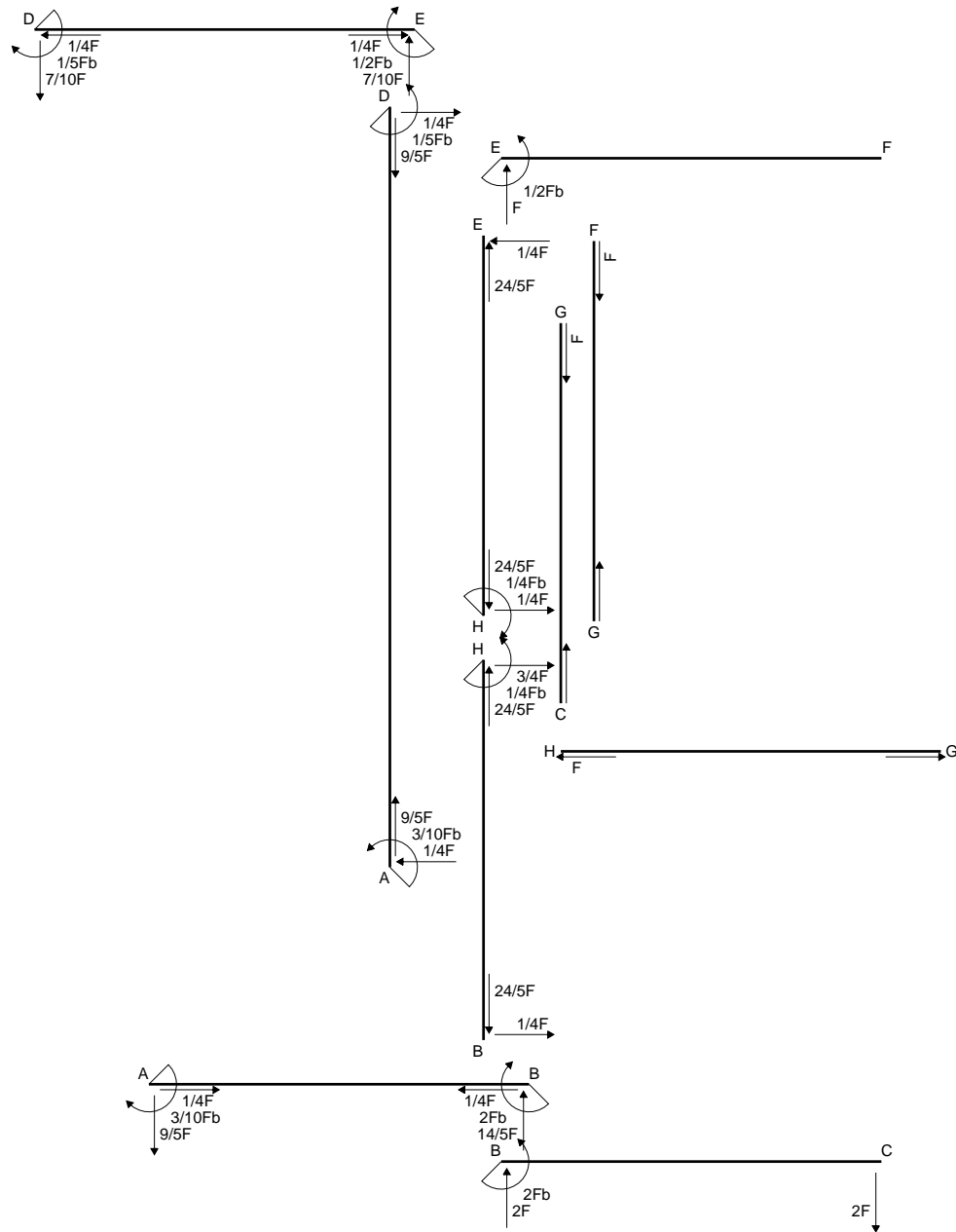
$$= (b - 1/2 b) Fb \frac{1}{EJ} = 1/2 \frac{Fb^2}{EJ}$$

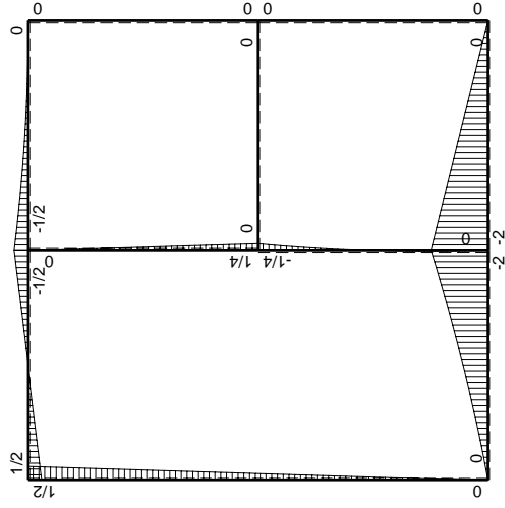
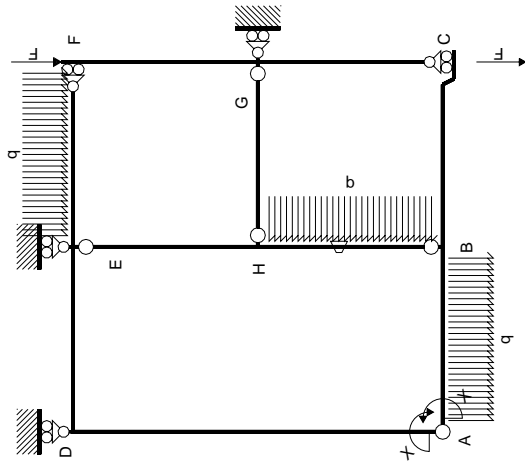
$$L_{DE}^{xo} = \int_0^b (1/2 - 3/2 x/b + x^2/b^2) Fb \frac{1}{EJ} dx = \left[1/2 x - 3/4 x^2/b + 1/3 x^3/b^2 \right]_0^b Fb \frac{1}{EJ}$$

$$= (1/2 b - 3/4 b + 1/3 b) Fb \frac{1}{EJ} = 1/12 \frac{Fb^2}{EJ}$$

$$L_{ED}^{xo} = \int_0^b (-1/2 x/b + x^2/b^2) Fb \frac{1}{EJ} dx = \left[-1/4 x^2/b + 1/3 x^3/b^2 \right]_0^b Fb \frac{1}{EJ}$$

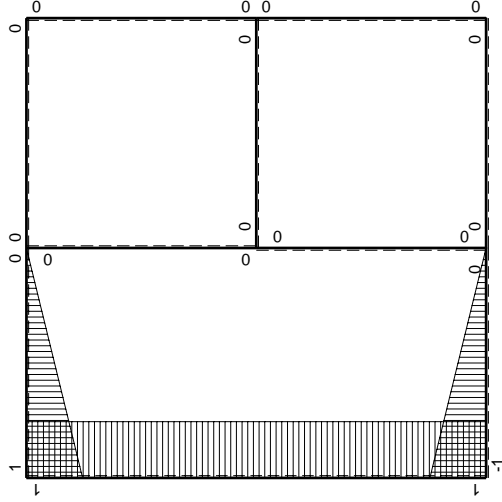
$$= (-1/4 b + 1/3 b) Fb \frac{1}{EJ} = 1/12 \frac{Fb^2}{EJ}$$





Schema di calcolo iperstatico

M_0 flessione da carichi assegnati



M_x flessione da iperstatica $X=1$

Quadro contributi PLV per iperstatica $X=W_{AB}$

→	$M_x(x)$	$M_o(x)$	θ	$M_x M_o$	$M_x \theta$	$M_x M_x$	$\int M_x(M_o/EJ+\theta)dx$	$\int X M_x M_x/EJdx$	
AB b	$-1+x/b$	$-3/2Fx-1/2qx^2$	0	$3/2Fx-Fx^2/b-1/2qx^3/b$	0	$1-2x/b+x^2/b^2$	$(7/24+0)Fb^2/EJ$	$1/3Xb/EJ$	
BA b	x/b	$2Fb-5/2Fx+1/2qx^2$	0	$2Fx-5/2Fx^2/b+1/2qx^3/b$	0	x^2/b^2			
BC b	0	$-2Fb+2Fx$	0	0	0	0	0+0	0	
CB b	0	$2Fx$	0	0	0	0			
AD 2b	1	$1/4Fx$	0	$1/4Fx$	0	1	$(1/2+0)Fb^2/EJ$	$2Xb/EJ$	
DA 2b	-1	$-1/2Fb+1/4Fx$	0	$1/2Fb-1/4Fx$	0	1			
DE b	$1-x/b$	$1/2Fb-Fx$	0	$1/2Fb-3/2Fx+Fx^2/b$	0	$1-2x/b+x^2/b^2$	$(1/12+0)Fb^2/EJ$	$1/3Xb/EJ$	
ED b	$-x/b$	$1/2Fb-Fx$	0	$-1/2Fx+Fx^2/b$	0	x^2/b^2			
EF b	0	$-1/2Fb+Fx-1/2qx^2$	0	0	0	0	0+0	0	
FE b	0	$1/2qx^2$	0	0	0	0			
FG b	0	0	0	0	0	0	0+0	0	
GF b	0	0	0	0	0	0			
GC b	0	0	0	0	0	0	0+0	0	
CG b	0	0	0	0	0	0			
HG b	0	0	0	0	0	0	0+0	0	
GH b	0	0	0	0	0	0			
HB b	0	$-1/4Fb+3/4Fx-1/2qx^2$	$-Fb/EJ$	0	0	0	0+0	0	
BH b	0	$-1/4Fx+1/2qx^2$	Fb/EJ	0	0	0			
HE b	0	$1/4Fb-1/4Fx$	0	0	0	0	0+0	0	
EH b	0	$-1/4Fx$	0	0	0	0			
AB	molla asta $-W_{1AB}(W_{0AB}+XW_{1AB})/k_{AB}$								$1/4Xb/EJ$
	totali							$7/8Fb^2/EJ$	$35/12Xb/EJ$
	iperstatica $X=W_{AB}$							$-3/10Fb$	

Sviluppi di calcolo iperstatica

$$L_{AB}^{xx} = \int_0^b (1 - 2x/b + x^2/b^2) \cdot 1/EJ \, dx + 1 \cdot 1/4 \cdot b/EJ = \left[x - x^2/b + 1/3 x^3/b^2 \right]_0^b \cdot 1/EJ + 1 \cdot 1/4 \cdot b/EJ$$

$$= (b - b + 1/3 b) \cdot 1/EJ + 1 \cdot 1/4 \cdot b/EJ = 7/12 \cdot b/EJ$$

$$L_{BA}^{xx} = \int_0^b (x^2/b^2) \cdot 1/EJ \, dx + 1 \cdot 1/4 \cdot b/EJ = \left[1/3 x^3/b^2 \right]_0^b \cdot 1/EJ + 1 \cdot 1/4 \cdot b/EJ$$

$$= (1/3 b) \cdot 1/EJ + 1 \cdot 1/4 \cdot b/EJ = 7/12 \cdot b/EJ$$

$$L_{AD}^{xx} = \int_0^{2b} (1) \cdot 1/EJ \, dx = \left[x \right]_0^{2b} \cdot 1/EJ$$

$$= (2b) \cdot 1/EJ = 2 \cdot b/EJ$$

$$L_{DA}^{xx} = \int_0^{2b} (1) \cdot 1/EJ \, dx = \left[x \right]_0^{2b} \cdot 1/EJ$$

$$= (2b) \cdot 1/EJ = 2 \cdot b/EJ$$

$$L_{DE}^{xx} = \int_0^b (1 - 2x/b + x^2/b^2) \cdot 1/EJ \, dx = \left[x - x^2/b + 1/3 x^3/b^2 \right]_0^b \cdot 1/EJ$$

$$= (b - b + 1/3 b) \cdot 1/EJ = 1/3 \cdot b/EJ$$

$$L_{ED}^{xx} = \int_0^b (x^2/b^2) \cdot 1/EJ \, dx = \left[1/3 x^3/b^2 \right]_0^b \cdot 1/EJ$$

$$= (1/3 b) \cdot 1/EJ = 1/3 \cdot b/EJ$$

$$L_{AB}^{xo} = \int_0^b (3/2 x/b - x^2/b^2 - 1/2 x^3/b^3) \cdot Fb \cdot 1/EJ \, dx + 1 \cdot 0 \cdot 1/4 \cdot Fb^2/EJ$$

$$= \left[3/4 x^2/b - 1/3 x^3/b^2 - 1/8 x^4/b^3 \right]_0^b \cdot Fb \cdot 1/EJ + 1 \cdot 0 \cdot 1/4 \cdot Fb^2/EJ$$

$$= (3/4 b - 1/3 b - 1/8 b) \cdot Fb \cdot 1/EJ + 1 \cdot 0 \cdot 1/4 \cdot Fb^2/EJ = 7/24 \cdot Fb^2/EJ$$

$$L_{BA}^{xo} = \int_0^b (2x/b - 5/2 x^2/b^2 + 1/2 x^3/b^3) \cdot Fb \cdot 1/EJ \, dx + 1 \cdot 0 \cdot 1/4 \cdot Fb^2/EJ$$

$$= \left[x^2/b - 5/6 x^3/b^2 + 1/8 x^4/b^3 \right]_0^b \cdot Fb \cdot 1/EJ + 1 \cdot 0 \cdot 1/4 \cdot Fb^2/EJ$$

$$= (b - 5/6 b + 1/8 b) \cdot Fb \cdot 1/EJ + 1 \cdot 0 \cdot 1/4 \cdot Fb^2/EJ = 7/24 \cdot Fb^2/EJ$$

$$L_{AD}^{xo} = \int_0^{2b} (1/4 x/b) \cdot Fb \cdot 1/EJ \, dx = \left[1/8 x^2/b \right]_0^{2b} \cdot Fb \cdot 1/EJ$$

$$= (1/2 b) \cdot Fb \cdot 1/EJ = 1/2 \cdot Fb^2/EJ$$

$$L_{DA}^{xo} = \int_0^{2b} (1/2 - 1/4 x/b) \cdot Fb \cdot 1/EJ \, dx = \left[1/2 x - 1/8 x^2/b \right]_0^{2b} \cdot Fb \cdot 1/EJ$$

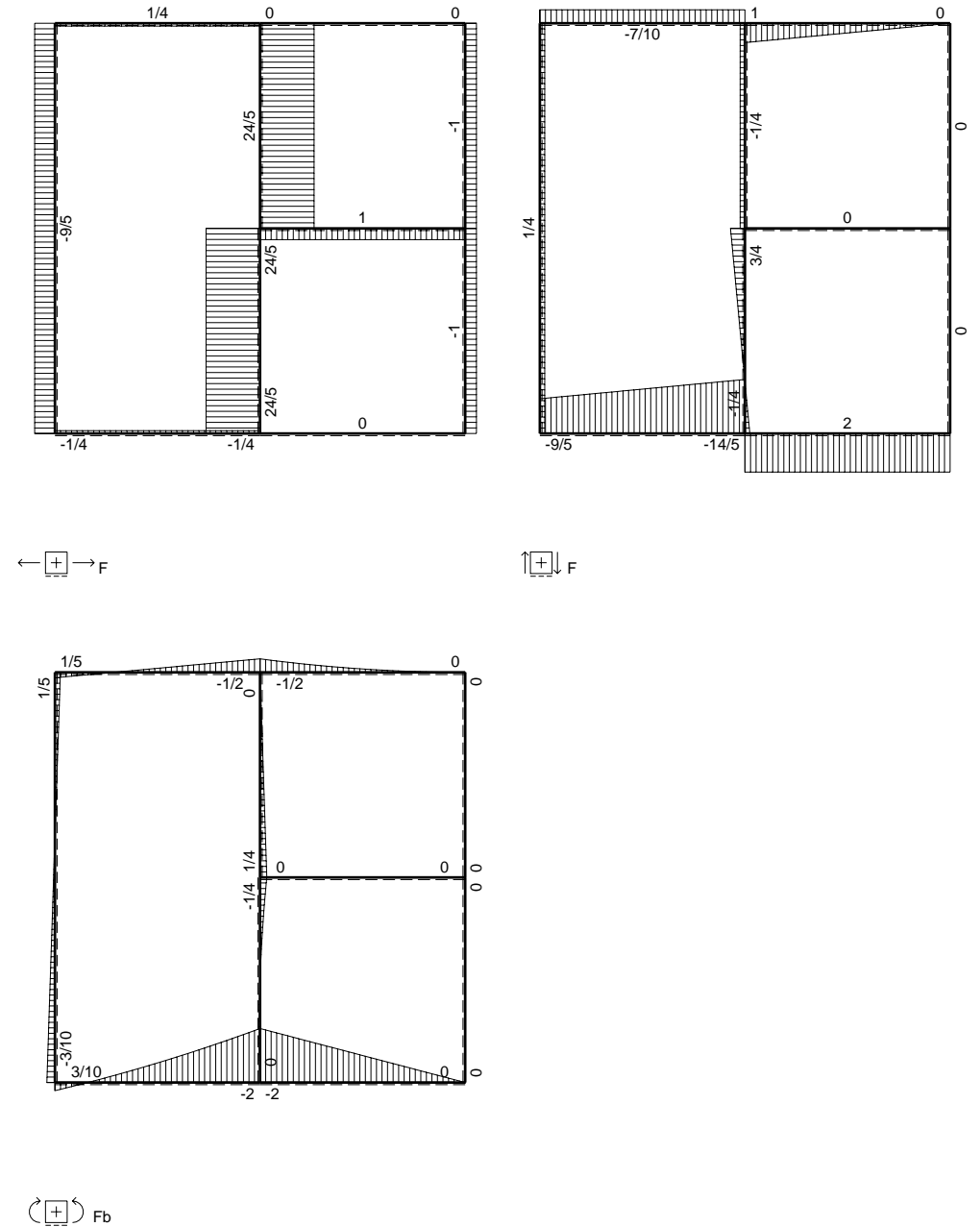
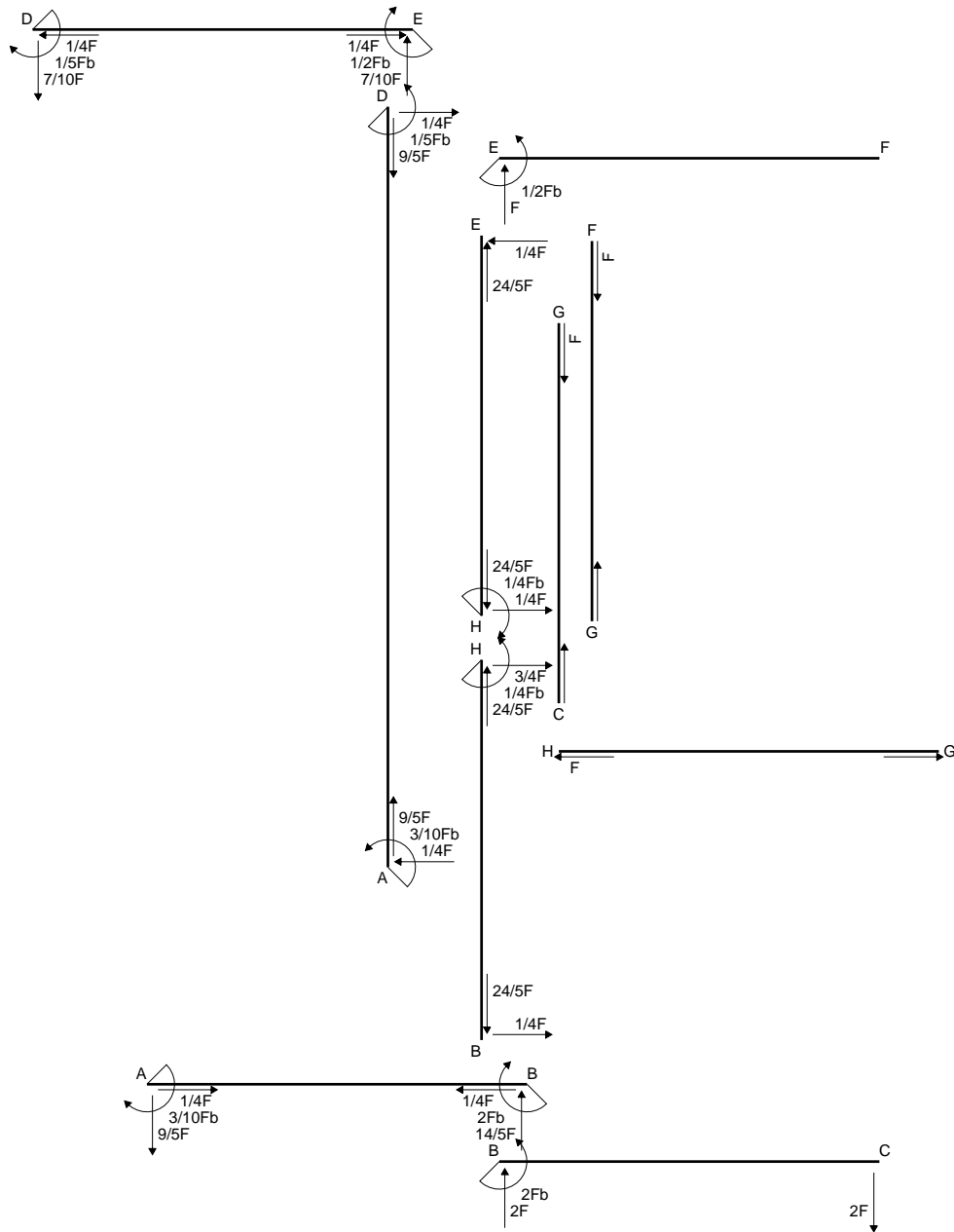
$$= (b - 1/2 b) \cdot Fb \cdot 1/EJ = 1/2 \cdot Fb^2/EJ$$

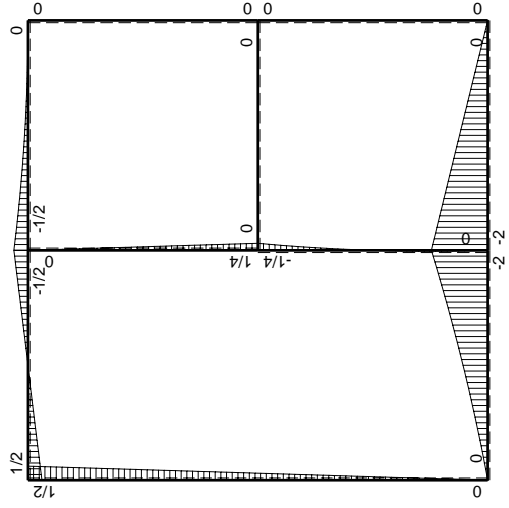
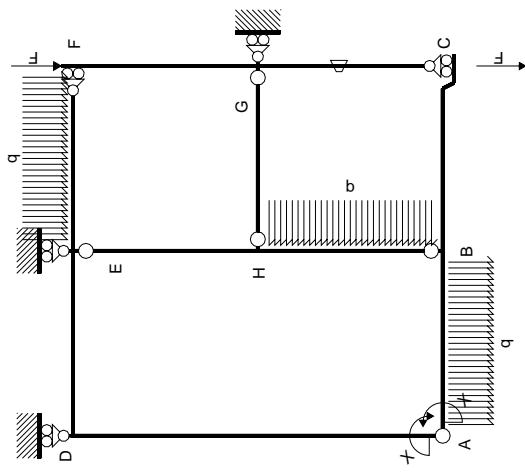
$$L_{DE}^{xo} = \int_0^b (1/2 - 3/2 x/b + x^2/b^2) \cdot Fb \cdot 1/EJ \, dx = \left[1/2 x - 3/4 x^2/b + 1/3 x^3/b^2 \right]_0^b \cdot Fb \cdot 1/EJ$$

$$= (1/2 b - 3/4 b + 1/3 b) \cdot Fb \cdot 1/EJ = 1/12 \cdot Fb^2/EJ$$

$$L_{ED}^{xo} = \int_0^b (-1/2 x/b + x^2/b^2) \cdot Fb \cdot 1/EJ \, dx = \left[-1/4 x^2/b + 1/3 x^3/b^2 \right]_0^b \cdot Fb \cdot 1/EJ$$

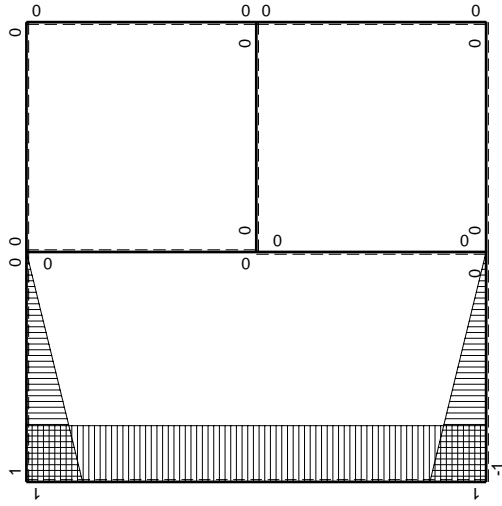
$$= (-1/4 b + 1/3 b) \cdot Fb \cdot 1/EJ = 1/12 \cdot Fb^2/EJ$$





Schema di calcolo iperstatico

M_0 flessione da carichi assegnati



M_x flessione da iperstatica $X=1$

Quadro contributi PLV per iperstatica $X=W_{AB}$

→	$M_x(x)$	$M_o(x)$	θ	$M_x M_o$	$M_x \theta$	$M_x M_x$	$\int M_x(M_o/EJ+\theta)dx$	$\int X M_x M_x/EJdx$
AB b	$-1+x/b$	$-3/2Fx-1/2qx^2$	0	$3/2Fx-Fx^2/b-1/2qx^3/b$	0	$1-2x/b+x^2/b^2$	$(7/24+0)Fb^2/EJ$	$1/3Xb/EJ$
BA b	x/b	$2Fb-5/2Fx+1/2qx^2$	0	$2Fx-5/2Fx^2/b+1/2qx^3/b$	0	x^2/b^2		
BC b	0	$-2Fb+2Fx$	0	0	0	0	0+0	0
CB b	0	$2Fx$	0	0	0	0		
AD 2b	1	$1/4Fx$	0	$1/4Fx$	0	1	$(1/2+0)Fb^2/EJ$	$2Xb/EJ$
DA 2b	-1	$-1/2Fb+1/4Fx$	0	$1/2Fb-1/4Fx$	0	1		
DE b	$1-x/b$	$1/2Fb-Fx$	0	$1/2Fb-3/2Fx+Fx^2/b$	0	$1-2x/b+x^2/b^2$	$(1/12+0)Fb^2/EJ$	$1/3Xb/EJ$
ED b	$-x/b$	$1/2Fb-Fx$	0	$-1/2Fx+Fx^2/b$	0	x^2/b^2		
EF b	0	$-1/2Fb+Fx-1/2qx^2$	0	0	0	0	0+0	0
FE b	0	$1/2qx^2$	0	0	0	0		
FG b	0	0	0	0	0	0	0+0	0
GF b	0	0	0	0	0	0		
GC b	0	0	$-Fb/EJ$	0	0	0	0+0	0
CG b	0	0	Fb/EJ	0	0	0		
HG b	0	0	0	0	0	0	0+0	0
GH b	0	0	0	0	0	0		
HB b	0	$-1/4Fb+3/4Fx-1/2qx^2$	0	0	0	0	0+0	0
BH b	0	$-1/4Fx+1/2qx^2$	0	0	0	0		
HE b	0	$1/4Fb-1/4Fx$	0	0	0	0	0+0	0
EH b	0	$-1/4Fx$	0	0	0	0		
AB	molla asta $-W_{1AB}(W_{0AB}+XW_{1AB})/k_{AB}$							$1/4Xb/EJ$
	totali						$7/8Fb^2/EJ$	$35/12Xb/EJ$
	iperstatica $X=W_{AB}$						$-3/10Fb$	

Sviluppi di calcolo iperstatica

$$L_{AB}^{xx} = \int_0^b (1 - 2x/b + x^2/b^2) \frac{1}{EJ} dx + 1 \cdot \frac{1}{4} \frac{b}{EJ} = \left[x - x^2/b + 1/3 x^3/b^2 \right]_0^b \frac{1}{EJ} + 1 \cdot \frac{1}{4} \frac{b}{EJ}$$

$$= (b - b + 1/3 b) \frac{1}{EJ} + 1 \cdot \frac{1}{4} \frac{b}{EJ} = 7/12 \frac{b}{EJ}$$

$$L_{BA}^{xx} = \int_0^b (x^2/b^2) \frac{1}{EJ} dx + 1 \cdot \frac{1}{4} \frac{b}{EJ} = \left[1/3 x^3/b^2 \right]_0^b \frac{1}{EJ} + 1 \cdot \frac{1}{4} \frac{b}{EJ}$$

$$= (1/3 b) \frac{1}{EJ} + 1 \cdot \frac{1}{4} \frac{b}{EJ} = 7/12 \frac{b}{EJ}$$

$$L_{AD}^{xx} = \int_0^{2b} (1) \frac{1}{EJ} dx = \left[x \right]_0^{2b} \frac{1}{EJ}$$

$$= (2b) \frac{1}{EJ} = 2 \frac{b}{EJ}$$

$$L_{DA}^{xx} = \int_0^{2b} (1) \frac{1}{EJ} dx = \left[x \right]_0^{2b} \frac{1}{EJ}$$

$$= (2b) \frac{1}{EJ} = 2 \frac{b}{EJ}$$

$$L_{DE}^{xx} = \int_0^b (1 - 2x/b + x^2/b^2) \frac{1}{EJ} dx = \left[x - x^2/b + 1/3 x^3/b^2 \right]_0^b \frac{1}{EJ}$$

$$= (b - b + 1/3 b) \frac{1}{EJ} = 1/3 \frac{b}{EJ}$$

$$L_{ED}^{xx} = \int_0^b (x^2/b^2) \frac{1}{EJ} dx = \left[1/3 x^3/b^2 \right]_0^b \frac{1}{EJ}$$

$$= (1/3 b) \frac{1}{EJ} = 1/3 \frac{b}{EJ}$$

$$L_{AB}^{xo} = \int_0^b (3/2 x/b - x^2/b^2 - 1/2 x^3/b^3) Fb \frac{1}{EJ} dx + 1 \cdot 0 \cdot \frac{1}{4} \frac{Fb^2}{EJ}$$

$$= \left[3/4 x^2/b - 1/3 x^3/b^2 - 1/8 x^4/b^3 \right]_0^b Fb \frac{1}{EJ} + 1 \cdot 0 \cdot \frac{1}{4} \frac{Fb^2}{EJ}$$

$$= (3/4 b - 1/3 b - 1/8 b) Fb \frac{1}{EJ} + 1 \cdot 0 \cdot \frac{1}{4} \frac{Fb^2}{EJ} = 7/24 \frac{Fb^2}{EJ}$$

$$L_{BA}^{xo} = \int_0^b (2x/b - 5/2 x^2/b^2 + 1/2 x^3/b^3) Fb \frac{1}{EJ} dx + 1 \cdot 0 \cdot \frac{1}{4} \frac{Fb^2}{EJ}$$

$$= \left[x^2/b - 5/6 x^3/b^2 + 1/8 x^4/b^3 \right]_0^b Fb \frac{1}{EJ} + 1 \cdot 0 \cdot \frac{1}{4} \frac{Fb^2}{EJ}$$

$$= (b - 5/6 b + 1/8 b) Fb \frac{1}{EJ} + 1 \cdot 0 \cdot \frac{1}{4} \frac{Fb^2}{EJ} = 7/24 \frac{Fb^2}{EJ}$$

$$L_{AD}^{xo} = \int_0^{2b} (1/4 x/b) Fb \frac{1}{EJ} dx = \left[1/8 x^2/b \right]_0^{2b} Fb \frac{1}{EJ}$$

$$= (1/2 b) Fb \frac{1}{EJ} = 1/2 \frac{Fb^2}{EJ}$$

$$L_{DA}^{xo} = \int_0^{2b} (1/2 - 1/4 x/b) Fb \frac{1}{EJ} dx = \left[1/2 x - 1/8 x^2/b \right]_0^{2b} Fb \frac{1}{EJ}$$

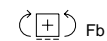
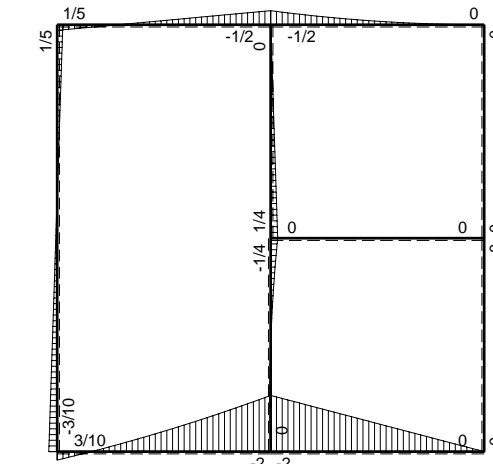
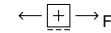
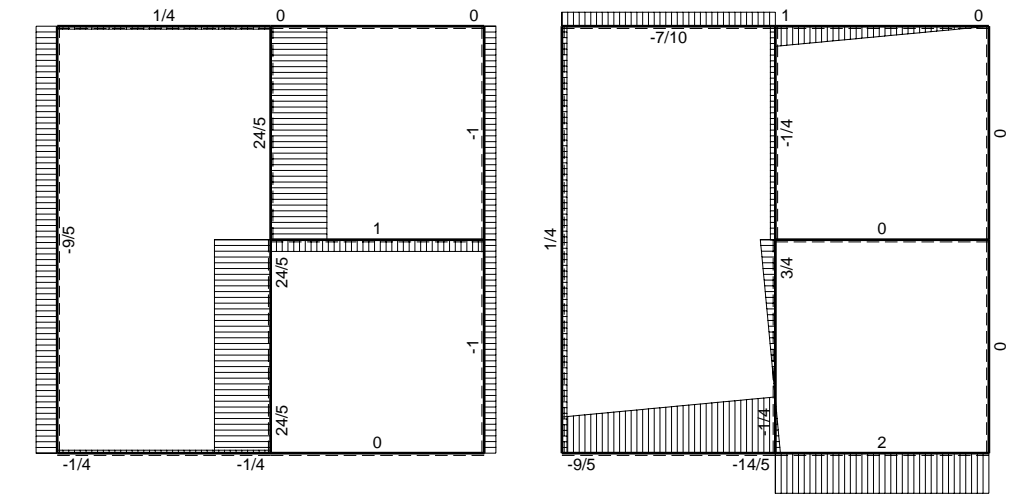
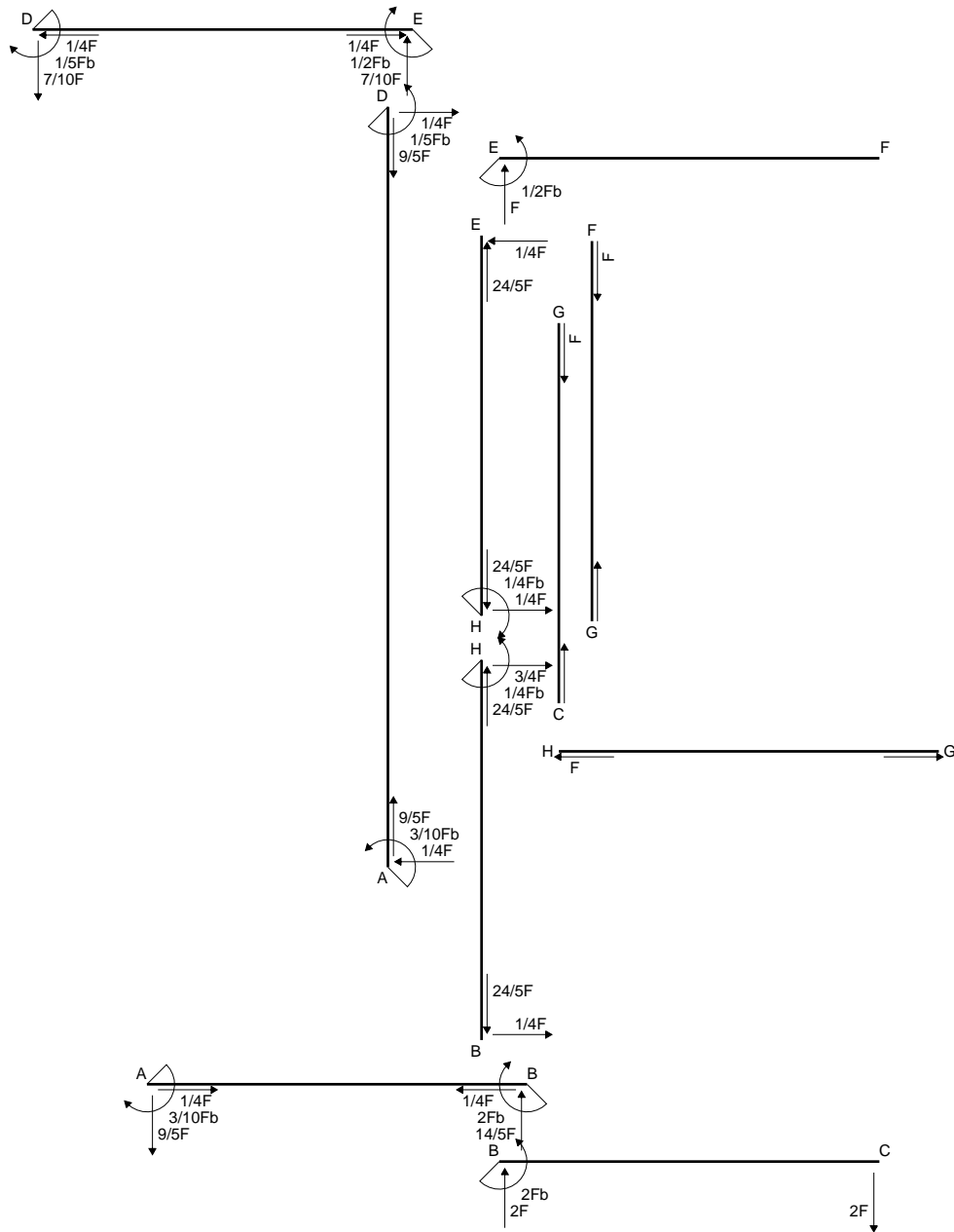
$$= (b - 1/2 b) Fb \frac{1}{EJ} = 1/2 \frac{Fb^2}{EJ}$$

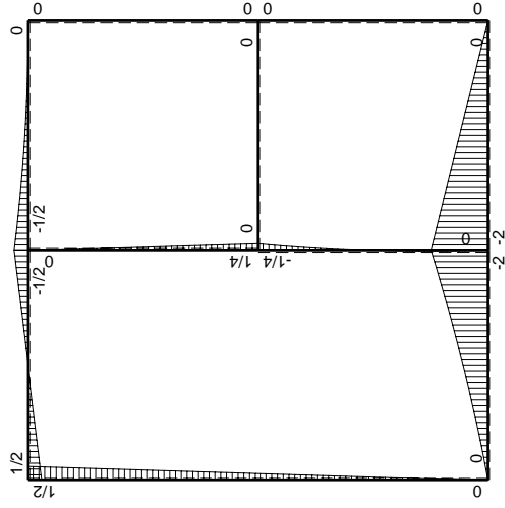
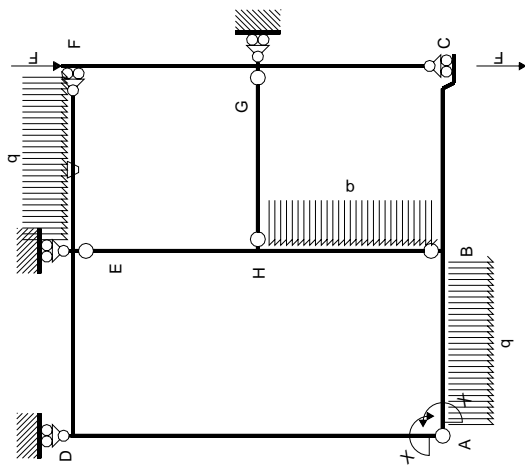
$$L_{DE}^{xo} = \int_0^b (1/2 - 3/2 x/b + x^2/b^2) Fb \frac{1}{EJ} dx = \left[1/2 x - 3/4 x^2/b + 1/3 x^3/b^2 \right]_0^b Fb \frac{1}{EJ}$$

$$= (1/2 b - 3/4 b + 1/3 b) Fb \frac{1}{EJ} = 1/12 \frac{Fb^2}{EJ}$$

$$L_{ED}^{xo} = \int_0^b (-1/2 x/b + x^2/b^2) Fb \frac{1}{EJ} dx = \left[-1/4 x^2/b + 1/3 x^3/b^2 \right]_0^b Fb \frac{1}{EJ}$$

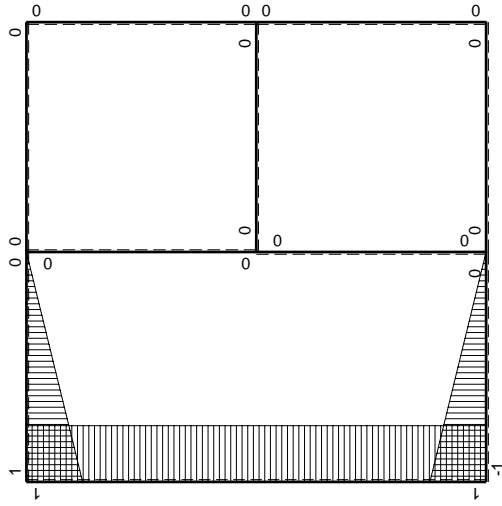
$$= (-1/4 b + 1/3 b) Fb \frac{1}{EJ} = 1/12 \frac{Fb^2}{EJ}$$





Schema di calcolo iperstatico

M_0 flessione da carichi assegnati



M_x flessione da iperstatica X=1

Quadro contributi PLV per iperstatica $X=W_{AB}$

→	$M_x(x)$	$M_o(x)$	θ	$M_x M_o$	$M_x \theta$	$M_x M_x$	$\int M_x(M_o/EJ+\theta)dx$	$\int X M_x M_x/EJdx$
AB b	$-1+x/b$	$-3/2Fx-1/2qx^2$	0	$3/2Fx-Fx^2/b-1/2qx^3/b$	0	$1-2x/b+x^2/b^2$	$(7/24+0)Fb^2/EJ$	$1/3Xb/EJ$
BA b	x/b	$2Fb-5/2Fx+1/2qx^2$	0	$2Fx-5/2Fx^2/b+1/2qx^3/b$	0	x^2/b^2		
BC b	0	$-2Fb+2Fx$	0	0	0	0	0+0	0
CB b	0	$2Fx$	0	0	0	0		
AD 2b	1	$1/4Fx$	0	$1/4Fx$	0	1	$(1/2+0)Fb^2/EJ$	$2Xb/EJ$
DA 2b	-1	$-1/2Fb+1/4Fx$	0	$1/2Fb-1/4Fx$	0	1		
DE b	$1-x/b$	$1/2Fb-Fx$	0	$1/2Fb-3/2Fx+Fx^2/b$	0	$1-2x/b+x^2/b^2$	$(1/12+0)Fb^2/EJ$	$1/3Xb/EJ$
ED b	$-x/b$	$1/2Fb-Fx$	0	$-1/2Fx+Fx^2/b$	0	x^2/b^2		
EF b	0	$-1/2Fb+Fx-1/2qx^2$	$-Fb/EJ$	0	0	0	0+0	0
FE b	0	$1/2qx^2$	Fb/EJ	0	0	0		
FG b	0	0	0	0	0	0	0+0	0
GF b	0	0	0	0	0	0		
GC b	0	0	0	0	0	0	0+0	0
CG b	0	0	0	0	0	0		
HG b	0	0	0	0	0	0	0+0	0
GH b	0	0	0	0	0	0		
HB b	0	$-1/4Fb+3/4Fx-1/2qx^2$	0	0	0	0	0+0	0
BH b	0	$-1/4Fx+1/2qx^2$	0	0	0	0		
HE b	0	$1/4Fb-1/4Fx$	0	0	0	0	0+0	0
EH b	0	$-1/4Fx$	0	0	0	0		
AB	molla asta $-W_{1AB}(W_{0AB}+XW_{1AB})/k_{AB}$							$1/4Xb/EJ$
	totali						$7/8Fb^2/EJ$	$35/12Xb/EJ$
	iperstatica $X=W_{AB}$						$-3/10Fb$	

Sviluppi di calcolo iperstatica

$$L_{AB}^{xx} = \int_0^b (1 - 2x/b + x^2/b^2) \cdot 1/EJ \, dx + 1 \cdot 1/4 \cdot b/EJ = \left[x - x^2/b + 1/3 x^3/b^2 \right]_0^b \cdot 1/EJ + 1 \cdot 1/4 \cdot b/EJ$$

$$= (b - b + 1/3 b) \cdot 1/EJ + 1 \cdot 1/4 \cdot b/EJ = 7/12 \cdot b/EJ$$

$$L_{BA}^{xx} = \int_0^b (x^2/b^2) \cdot 1/EJ \, dx + 1 \cdot 1/4 \cdot b/EJ = \left[1/3 x^3/b^2 \right]_0^b \cdot 1/EJ + 1 \cdot 1/4 \cdot b/EJ$$

$$= (1/3 b) \cdot 1/EJ + 1 \cdot 1/4 \cdot b/EJ = 7/12 \cdot b/EJ$$

$$L_{AD}^{xx} = \int_0^{2b} (1) \cdot 1/EJ \, dx = \left[x \right]_0^{2b} \cdot 1/EJ$$

$$= (2b) \cdot 1/EJ = 2 \cdot b/EJ$$

$$L_{DA}^{xx} = \int_0^{2b} (1) \cdot 1/EJ \, dx = \left[x \right]_0^{2b} \cdot 1/EJ$$

$$= (2b) \cdot 1/EJ = 2 \cdot b/EJ$$

$$L_{DE}^{xx} = \int_0^b (1 - 2x/b + x^2/b^2) \cdot 1/EJ \, dx = \left[x - x^2/b + 1/3 x^3/b^2 \right]_0^b \cdot 1/EJ$$

$$= (b - b + 1/3 b) \cdot 1/EJ = 1/3 \cdot b/EJ$$

$$L_{ED}^{xx} = \int_0^b (x^2/b^2) \cdot 1/EJ \, dx = \left[1/3 x^3/b^2 \right]_0^b \cdot 1/EJ$$

$$= (1/3 b) \cdot 1/EJ = 1/3 \cdot b/EJ$$

$$L_{AB}^{xo} = \int_0^b (3/2 x/b - x^2/b^2 - 1/2 x^3/b^3) \cdot Fb \cdot 1/EJ \, dx + 1 \cdot 0 \cdot 1/4 \cdot Fb^2/EJ$$

$$= \left[3/4 x^2/b - 1/3 x^3/b^2 - 1/8 x^4/b^3 \right]_0^b \cdot Fb \cdot 1/EJ + 1 \cdot 0 \cdot 1/4 \cdot Fb^2/EJ$$

$$= (3/4 b - 1/3 b - 1/8 b) \cdot Fb \cdot 1/EJ + 1 \cdot 0 \cdot 1/4 \cdot Fb^2/EJ = 7/24 \cdot Fb^2/EJ$$

$$L_{BA}^{xo} = \int_0^b (2x/b - 5/2 x^2/b^2 + 1/2 x^3/b^3) \cdot Fb \cdot 1/EJ \, dx + 1 \cdot 0 \cdot 1/4 \cdot Fb^2/EJ$$

$$= \left[x^2/b - 5/6 x^3/b^2 + 1/8 x^4/b^3 \right]_0^b \cdot Fb \cdot 1/EJ + 1 \cdot 0 \cdot 1/4 \cdot Fb^2/EJ$$

$$= (b - 5/6 b + 1/8 b) \cdot Fb \cdot 1/EJ + 1 \cdot 0 \cdot 1/4 \cdot Fb^2/EJ = 7/24 \cdot Fb^2/EJ$$

$$L_{AD}^{xo} = \int_0^{2b} (1/4 x/b) \cdot Fb \cdot 1/EJ \, dx = \left[1/8 x^2/b \right]_0^{2b} \cdot Fb \cdot 1/EJ$$

$$= (1/2 b) \cdot Fb \cdot 1/EJ = 1/2 \cdot Fb^2/EJ$$

$$L_{DA}^{xo} = \int_0^{2b} (1/2 - 1/4 x/b) \cdot Fb \cdot 1/EJ \, dx = \left[1/2 x - 1/8 x^2/b \right]_0^{2b} \cdot Fb \cdot 1/EJ$$

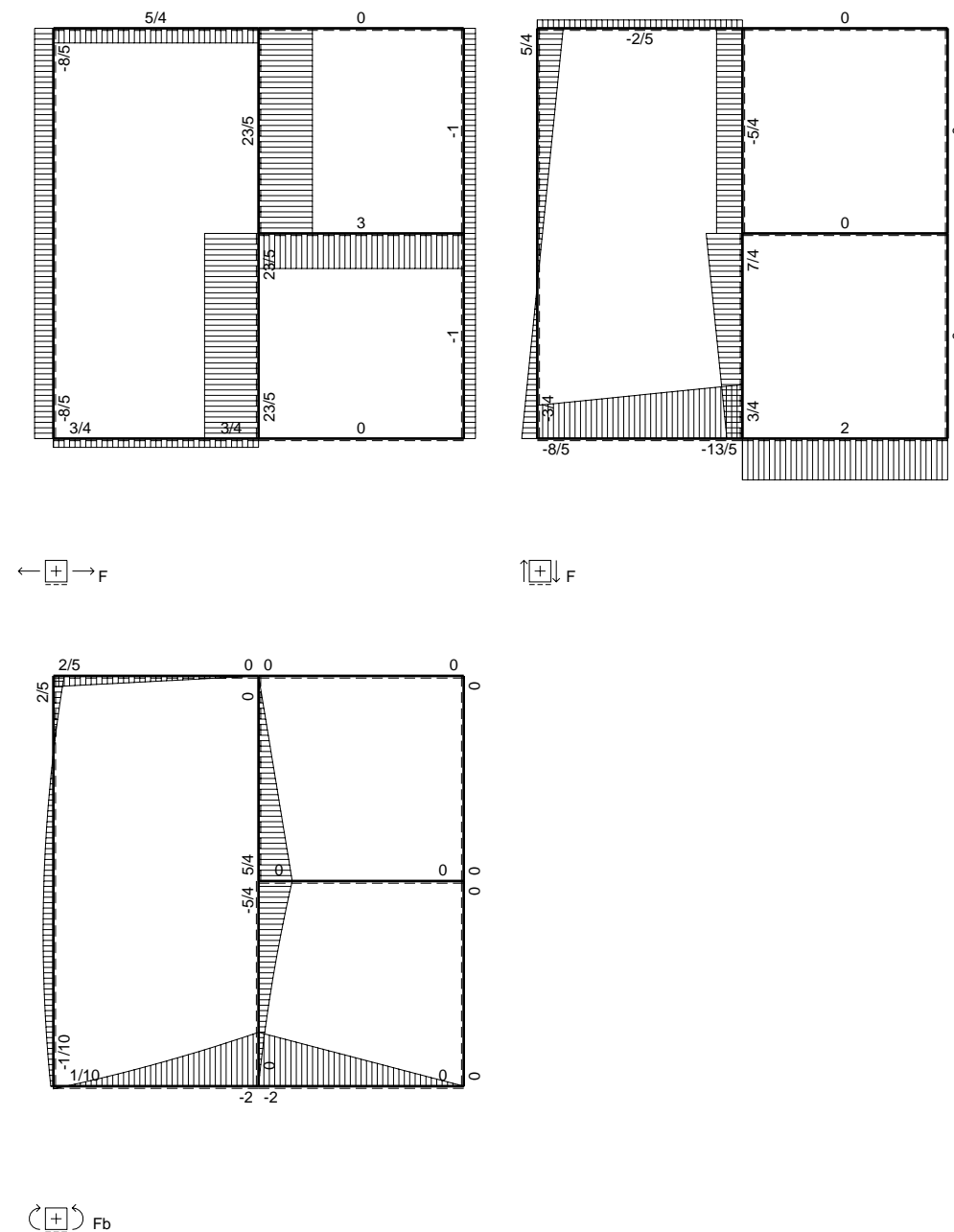
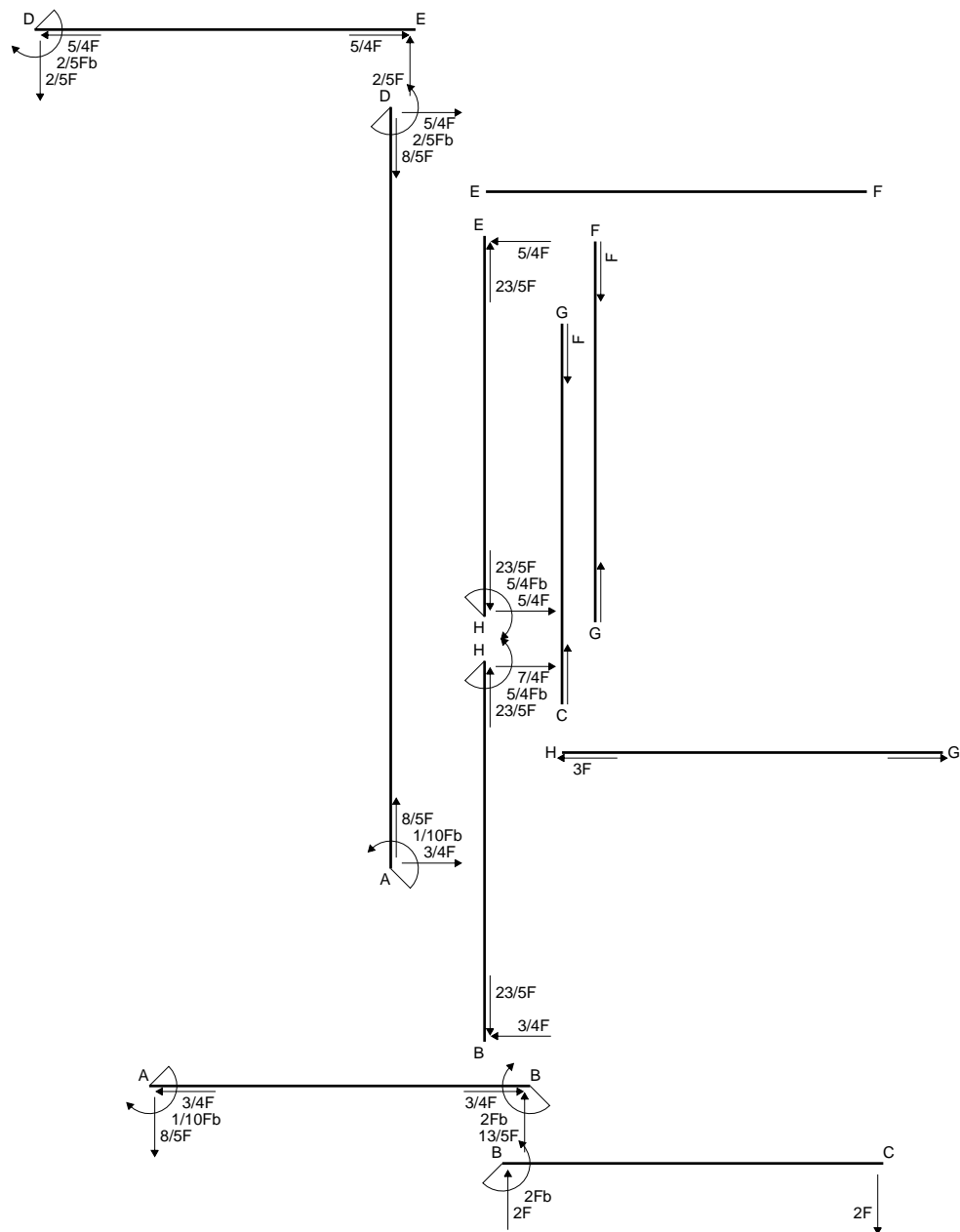
$$= (b - 1/2 b) \cdot Fb \cdot 1/EJ = 1/2 \cdot Fb^2/EJ$$

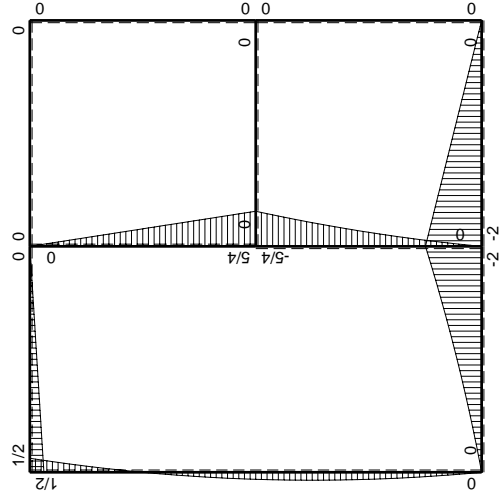
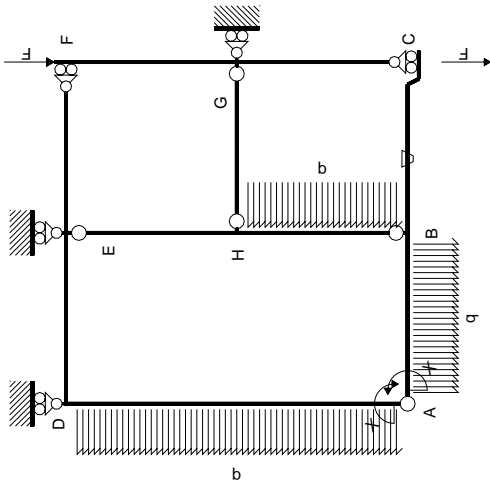
$$L_{DE}^{xo} = \int_0^b (1/2 - 3/2 x/b + x^2/b^2) \cdot Fb \cdot 1/EJ \, dx = \left[1/2 x - 3/4 x^2/b + 1/3 x^3/b^2 \right]_0^b \cdot Fb \cdot 1/EJ$$

$$= (1/2 b - 3/4 b + 1/3 b) \cdot Fb \cdot 1/EJ = 1/12 \cdot Fb^2/EJ$$

$$L_{ED}^{xo} = \int_0^b (-1/2 x/b + x^2/b^2) \cdot Fb \cdot 1/EJ \, dx = \left[-1/4 x^2/b + 1/3 x^3/b^2 \right]_0^b \cdot Fb \cdot 1/EJ$$

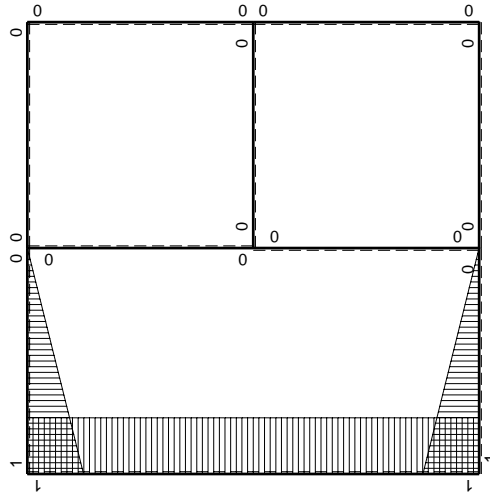
$$= (-1/4 b + 1/3 b) \cdot Fb \cdot 1/EJ = 1/12 \cdot Fb^2/EJ$$





Schema di calcolo iperstatico

M_0 flessione da carichi assegnati



M_x flessione da iperstatica $X=1$

Quadro contributi PLV per iperstatica $X=W_{AB}$

→	$M_x(x)$	$M_o(x)$	θ	$M_x M_o$	$M_x \theta$	$M_x M_x$	$\int M_x(M_o/EJ+\theta)dx$	$\int X M_x M_x/EJdx$
AB b	$-1+x/b$	$-3/2Fx-1/2qx^2$	0	$3/2Fx-Fx^2/b-1/2qx^3/b$	0	$1-2x/b+x^2/b^2$	$(7/24+0)Fb^2/EJ$	$1/3Xb/EJ$
BA b	x/b	$2Fb-5/2Fx+1/2qx^2$	0	$2Fx-5/2Fx^2/b+1/2qx^3/b$	0	x^2/b^2		
BC b	0	$-2Fb+2Fx$	$-Fb/EJ$	0	0	0	0+0	0
CB b	0	$2Fx$	Fb/EJ	0	0	0		
AD 2b	1	$-3/4Fx+1/2qx^2$	0	$-3/4Fx+1/2Fx^2/b$	0	1	$(-1/6+0)Fb^2/EJ$	$2Xb/EJ$
DA 2b	-1	$-1/2Fb+5/4Fx-1/2qx^2$	0	$1/2Fb-5/4Fx+1/2Fx^2/b$	0	1		
DE b	$1-x/b$	$1/2Fb-1/2Fx$	0	$1/2Fb-Fx+1/2Fx^2/b$	0	$1-2x/b+x^2/b^2$	$(1/6+0)Fb^2/EJ$	$1/3Xb/EJ$
ED b	$-x/b$	$-1/2Fx$	0	$1/2Fx^2/b$	0	x^2/b^2		
EF b	0	0	0	0	0	0	0+0	0
FE b	0	0	0	0	0	0		
FG b	0	0	0	0	0	0	0+0	0
GF b	0	0	0	0	0	0		
GC b	0	0	0	0	0	0	0+0	0
CG b	0	0	0	0	0	0		
HG b	0	0	0	0	0	0	0+0	0
GH b	0	0	0	0	0	0		
HB b	0	$-5/4Fb+7/4Fx-1/2qx^2$	0	0	0	0	0+0	0
BH b	0	$3/4Fx+1/2qx^2$	0	0	0	0		
HE b	0	$5/4Fb-5/4Fx$	0	0	0	0	0+0	0
EH b	0	$-5/4Fx$	0	0	0	0		
AB	molla asta $-W_{1AB}(W_{0AB}+XW_{1AB})/k_{AB}$							$1/4Xb/EJ$
	totali						$7/24Fb^2/EJ$	$35/12Xb/EJ$
	iperstatica $X=W_{AB}$						$-1/10Fb$	

Sviluppi di calcolo iperstatica

$$L_{AB}^{xx} = \int_0^b (1 - 2x/b + x^2/b^2) \frac{1}{EJ} dx + 1 \cdot \frac{1}{4} \frac{b}{EJ} = \left[x - x^2/b + 1/3 x^3/b^2 \right]_0^b \frac{1}{EJ} + 1 \cdot \frac{1}{4} \frac{b}{EJ}$$

$$= (b - b + 1/3 b) \frac{1}{EJ} + 1 \cdot \frac{1}{4} \frac{b}{EJ} = 7/12 \frac{b}{EJ}$$

$$L_{BA}^{xx} = \int_0^b (x^2/b^2) \frac{1}{EJ} dx + 1 \cdot \frac{1}{4} \frac{b}{EJ} = \left[1/3 x^3/b^2 \right]_0^b \frac{1}{EJ} + 1 \cdot \frac{1}{4} \frac{b}{EJ}$$

$$= (1/3 b) \frac{1}{EJ} + 1 \cdot \frac{1}{4} \frac{b}{EJ} = 7/12 \frac{b}{EJ}$$

$$L_{AD}^{xx} = \int_0^{2b} (1) \frac{1}{EJ} dx = \left[x \right]_0^{2b} \frac{1}{EJ}$$

$$= (2b) \frac{1}{EJ} = 2 \frac{b}{EJ}$$

$$L_{DA}^{xx} = \int_0^{2b} (1) \frac{1}{EJ} dx = \left[x \right]_0^{2b} \frac{1}{EJ}$$

$$= (2b) \frac{1}{EJ} = 2 \frac{b}{EJ}$$

$$L_{DE}^{xx} = \int_0^b (1 - 2x/b + x^2/b^2) \frac{1}{EJ} dx = \left[x - x^2/b + 1/3 x^3/b^2 \right]_0^b \frac{1}{EJ}$$

$$= (b - b + 1/3 b) \frac{1}{EJ} = 1/3 \frac{b}{EJ}$$

$$L_{ED}^{xx} = \int_0^b (x^2/b^2) \frac{1}{EJ} dx = \left[1/3 x^3/b^2 \right]_0^b \frac{1}{EJ}$$

$$= (1/3 b) \frac{1}{EJ} = 1/3 \frac{b}{EJ}$$

$$L_{AB}^{xo} = \int_0^b (3/2 x/b - x^2/b^2 - 1/2 x^3/b^3) Fb \frac{1}{EJ} dx + 1 \cdot 0 \cdot \frac{1}{4} \frac{Fb^2}{EJ}$$

$$= \left[3/4 x^2/b - 1/3 x^3/b^2 - 1/8 x^4/b^3 \right]_0^b Fb \frac{1}{EJ} + 1 \cdot 0 \cdot \frac{1}{4} \frac{Fb^2}{EJ}$$

$$= (3/4 b - 1/3 b - 1/8 b) Fb \frac{1}{EJ} + 1 \cdot 0 \cdot \frac{1}{4} \frac{Fb^2}{EJ} = 7/24 \frac{Fb^2}{EJ}$$

$$L_{BA}^{xo} = \int_0^b (2x/b - 5/2 x^2/b^2 + 1/2 x^3/b^3) Fb \frac{1}{EJ} dx + 1 \cdot 0 \cdot \frac{1}{4} \frac{Fb^2}{EJ}$$

$$= \left[x^2/b - 5/6 x^3/b^2 + 1/8 x^4/b^3 \right]_0^b Fb \frac{1}{EJ} + 1 \cdot 0 \cdot \frac{1}{4} \frac{Fb^2}{EJ}$$

$$= (b - 5/6 b + 1/8 b) Fb \frac{1}{EJ} + 1 \cdot 0 \cdot \frac{1}{4} \frac{Fb^2}{EJ} = 7/24 \frac{Fb^2}{EJ}$$

$$L_{AD}^{xo} = \int_0^{2b} (-3/4 x/b + 1/2 x^2/b^2) Fb \frac{1}{EJ} dx = \left[-3/8 x^2/b + 1/6 x^3/b^2 \right]_0^{2b} Fb \frac{1}{EJ}$$

$$= (-3/2 b + 4/3 b) Fb \frac{1}{EJ} = -1/6 \frac{Fb^2}{EJ}$$

$$L_{DA}^{xo} = \int_0^{2b} (1/2 - 5/4 x/b + 1/2 x^2/b^2) Fb \frac{1}{EJ} dx = \left[1/2 x - 5/8 x^2/b + 1/6 x^3/b^2 \right]_0^{2b} Fb \frac{1}{EJ}$$

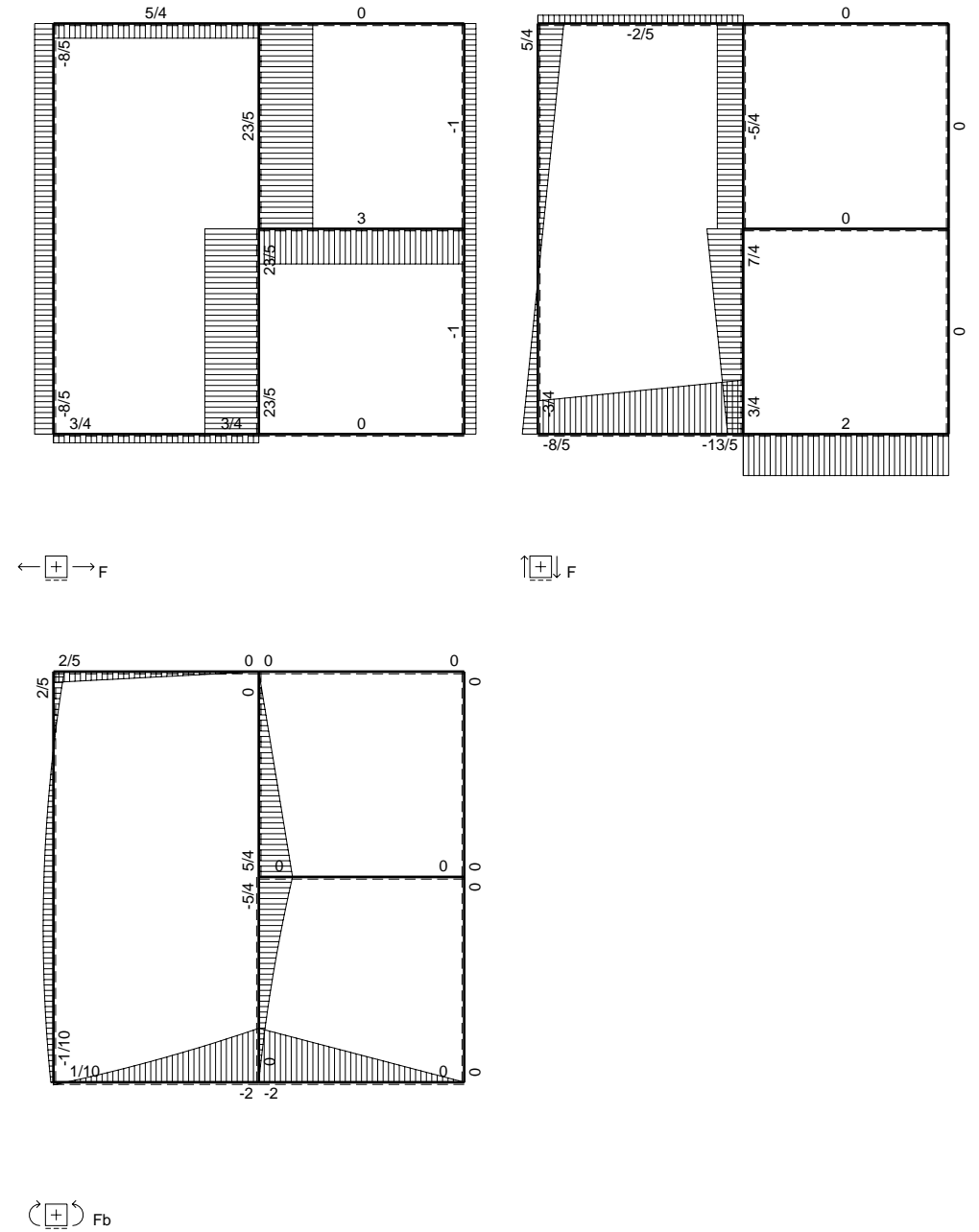
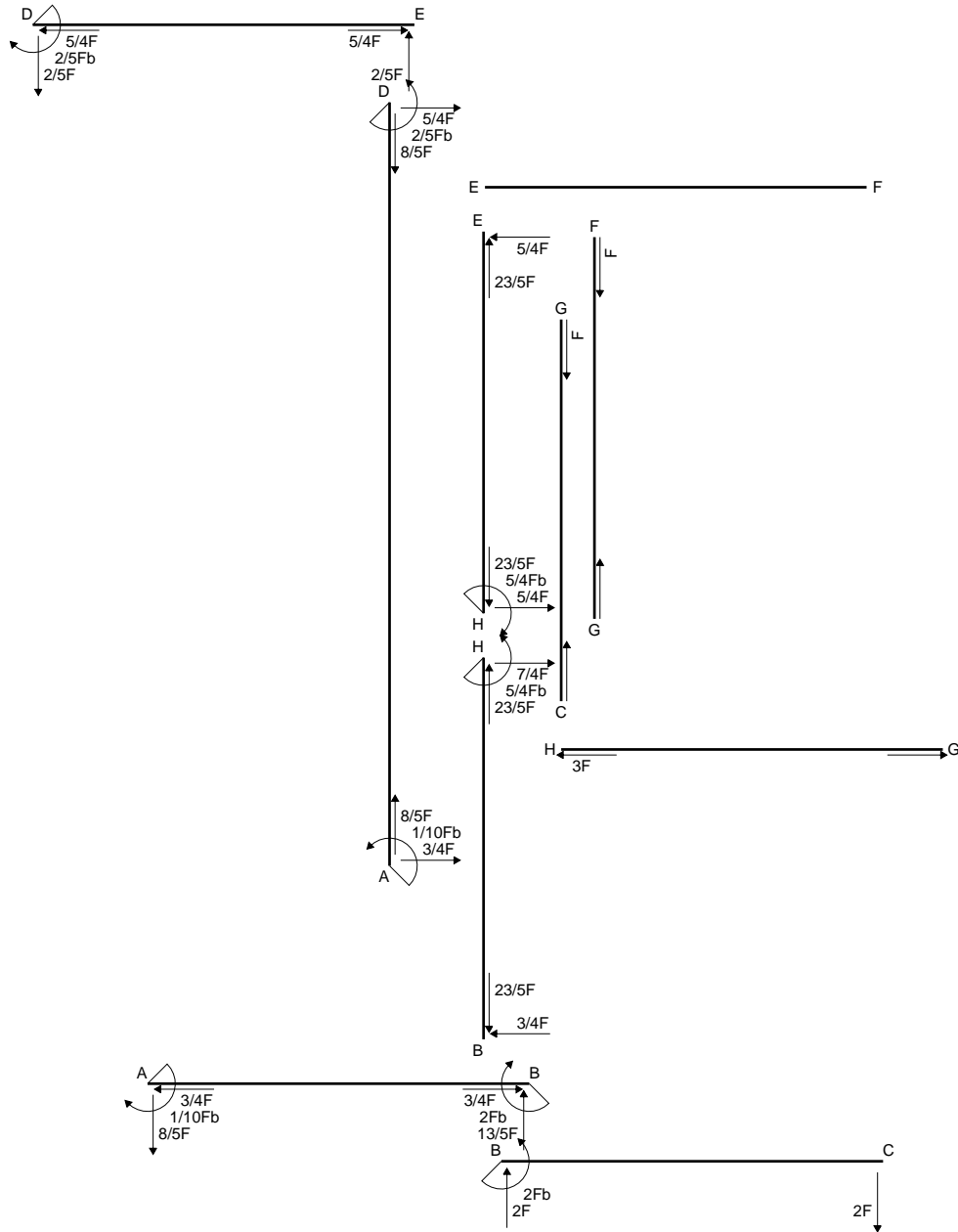
$$= (b - 5/2 b + 4/3 b) Fb \frac{1}{EJ} = -1/6 \frac{Fb^2}{EJ}$$

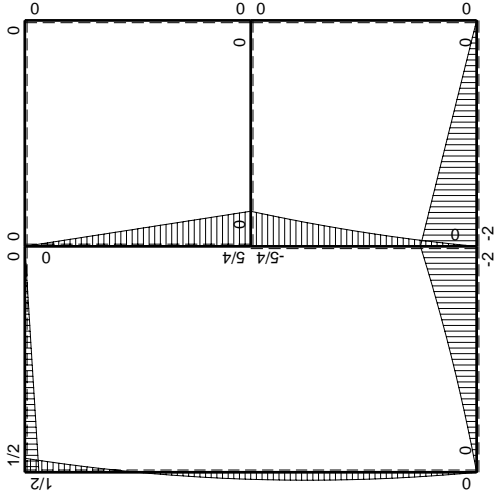
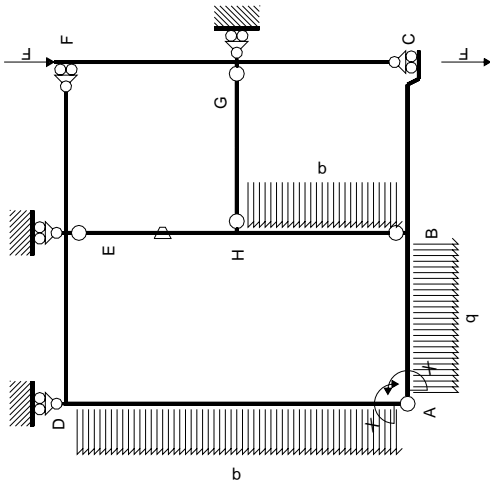
$$L_{DE}^{xo} = \int_0^b (1/2 - x/b + 1/2 x^2/b^2) Fb \frac{1}{EJ} dx = \left[1/2 x - 1/2 x^2/b + 1/6 x^3/b^2 \right]_0^b Fb \frac{1}{EJ}$$

$$= (1/2 b - 1/2 b + 1/6 b) Fb \frac{1}{EJ} = 1/6 \frac{Fb^2}{EJ}$$

$$L_{ED}^{xo} = \int_0^b (1/2 x^2/b^2) Fb \frac{1}{EJ} dx = \left[1/6 x^3/b^2 \right]_0^b Fb \frac{1}{EJ}$$

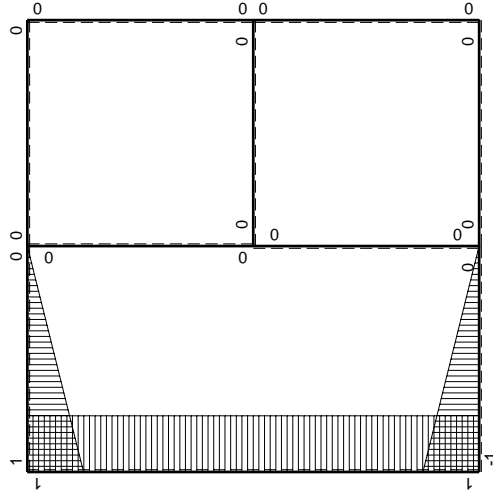
$$= (1/6 b) Fb \frac{1}{EJ} = 1/6 \frac{Fb^2}{EJ}$$





Schema di calcolo iperstatico

M_0 flessione da carichi assegnati



M_x flessione da iperstatica X=1

Quadro contributi PLV per iperstatica $X=W_{AB}$

→	$M_x(x)$	$M_o(x)$	θ	$M_x M_o$	$M_x \theta$	$M_x M_x$	$\int M_x(M_o/EJ+\theta)dx$	$\int X M_x M_x/EJdx$
AB b	$-1+x/b$	$-3/2Fx-1/2qx^2$	0	$3/2Fx-Fx^2/b-1/2qx^3/b$	0	$1-2x/b+x^2/b^2$	$(7/24+0)Fb^2/EJ$	$1/3Xb/EJ$
BA b	x/b	$2Fb-5/2Fx+1/2qx^2$	0	$2Fx-5/2Fx^2/b+1/2qx^3/b$	0	x^2/b^2		
BC b	0	$-2Fb+2Fx$	0	0	0	0	0+0	0
CB b	0	$2Fx$	0	0	0	0		
AD 2b	1	$-3/4Fx+1/2qx^2$	0	$-3/4Fx+1/2Fx^2/b$	0	1	$(-1/6+0)Fb^2/EJ$	$2Xb/EJ$
DA 2b	-1	$-1/2Fb+5/4Fx-1/2qx^2$	0	$1/2Fb-5/4Fx+1/2Fx^2/b$	0	1		
DE b	$1-x/b$	$1/2Fb-1/2Fx$	0	$1/2Fb-Fx+1/2Fx^2/b$	0	$1-2x/b+x^2/b^2$	$(1/6+0)Fb^2/EJ$	$1/3Xb/EJ$
ED b	$-x/b$	$-1/2Fx$	0	$1/2Fx^2/b$	0	x^2/b^2		
EF b	0	0	0	0	0	0	0+0	0
FE b	0	0	0	0	0	0		
FG b	0	0	0	0	0	0	0+0	0
GF b	0	0	0	0	0	0		
GC b	0	0	0	0	0	0	0+0	0
CG b	0	0	0	0	0	0		
HG b	0	0	0	0	0	0	0+0	0
GH b	0	0	0	0	0	0		
HB b	0	$-5/4Fb+7/4Fx-1/2qx^2$	0	0	0	0	0+0	0
BH b	0	$3/4Fx+1/2qx^2$	0	0	0	0		
HE b	0	$5/4Fb-5/4Fx$	$-Fb/EJ$	0	0	0	0+0	0
EH b	0	$-5/4Fx$	Fb/EJ	0	0	0		
AB	molla asta $-W_{1AB}(W_{0AB}+XW_{1AB})/k_{AB}$							$1/4Xb/EJ$
	totali						$7/24Fb^2/EJ$	$35/12Xb/EJ$
	iperstatica $X=W_{AB}$						$-1/10Fb$	

Sviluppi di calcolo iperstatica

$$L_{AB}^{xx} = \int_0^b (1 - 2x/b + x^2/b^2) \cdot 1/EJ \, dx + 1 \cdot 1/4 \cdot b/EJ = \left[x - x^2/b + 1/3 x^3/b^2 \right]_0^b \cdot 1/EJ + 1 \cdot 1/4 \cdot b/EJ$$

$$= (b - b + 1/3 b) \cdot 1/EJ + 1 \cdot 1/4 \cdot b/EJ = 7/12 \cdot b/EJ$$

$$L_{BA}^{xx} = \int_0^b (x^2/b^2) \cdot 1/EJ \, dx + 1 \cdot 1/4 \cdot b/EJ = \left[1/3 x^3/b^2 \right]_0^b \cdot 1/EJ + 1 \cdot 1/4 \cdot b/EJ$$

$$= (1/3 b) \cdot 1/EJ + 1 \cdot 1/4 \cdot b/EJ = 7/12 \cdot b/EJ$$

$$L_{AD}^{xx} = \int_0^{2b} (1) \cdot 1/EJ \, dx = \left[x \right]_0^{2b} \cdot 1/EJ$$

$$= (2b) \cdot 1/EJ = 2 \cdot b/EJ$$

$$L_{DA}^{xx} = \int_0^{2b} (1) \cdot 1/EJ \, dx = \left[x \right]_0^{2b} \cdot 1/EJ$$

$$= (2b) \cdot 1/EJ = 2 \cdot b/EJ$$

$$L_{DE}^{xx} = \int_0^b (1 - 2x/b + x^2/b^2) \cdot 1/EJ \, dx = \left[x - x^2/b + 1/3 x^3/b^2 \right]_0^b \cdot 1/EJ$$

$$= (b - b + 1/3 b) \cdot 1/EJ = 1/3 \cdot b/EJ$$

$$L_{ED}^{xx} = \int_0^b (x^2/b^2) \cdot 1/EJ \, dx = \left[1/3 x^3/b^2 \right]_0^b \cdot 1/EJ$$

$$= (1/3 b) \cdot 1/EJ = 1/3 \cdot b/EJ$$

$$L_{AB}^{xo} = \int_0^b (3/2 x/b - x^2/b^2 - 1/2 x^3/b^3) \cdot Fb \cdot 1/EJ \, dx + 1 \cdot 0 \cdot 1/4 \cdot Fb^2/EJ$$

$$= \left[3/4 x^2/b - 1/3 x^3/b^2 - 1/8 x^4/b^3 \right]_0^b \cdot Fb \cdot 1/EJ + 1 \cdot 0 \cdot 1/4 \cdot Fb^2/EJ$$

$$= (3/4 b - 1/3 b - 1/8 b) \cdot Fb \cdot 1/EJ + 1 \cdot 0 \cdot 1/4 \cdot Fb^2/EJ = 7/24 \cdot Fb^2/EJ$$

$$L_{BA}^{xo} = \int_0^b (2x/b - 5/2 x^2/b^2 + 1/2 x^3/b^3) \cdot Fb \cdot 1/EJ \, dx + 1 \cdot 0 \cdot 1/4 \cdot Fb^2/EJ$$

$$= \left[x^2/b - 5/6 x^3/b^2 + 1/8 x^4/b^3 \right]_0^b \cdot Fb \cdot 1/EJ + 1 \cdot 0 \cdot 1/4 \cdot Fb^2/EJ$$

$$= (b - 5/6 b + 1/8 b) \cdot Fb \cdot 1/EJ + 1 \cdot 0 \cdot 1/4 \cdot Fb^2/EJ = 7/24 \cdot Fb^2/EJ$$

$$L_{AD}^{xo} = \int_0^{2b} (-3/4 x/b + 1/2 x^2/b^2) \cdot Fb \cdot 1/EJ \, dx = \left[-3/8 x^2/b + 1/6 x^3/b^2 \right]_0^{2b} \cdot Fb \cdot 1/EJ$$

$$= (-3/2 b + 4/3 b) \cdot Fb \cdot 1/EJ = -1/6 \cdot Fb^2/EJ$$

$$L_{DA}^{xo} = \int_0^{2b} (1/2 - 5/4 x/b + 1/2 x^2/b^2) \cdot Fb \cdot 1/EJ \, dx = \left[1/2 x - 5/8 x^2/b + 1/6 x^3/b^2 \right]_0^{2b} \cdot Fb \cdot 1/EJ$$

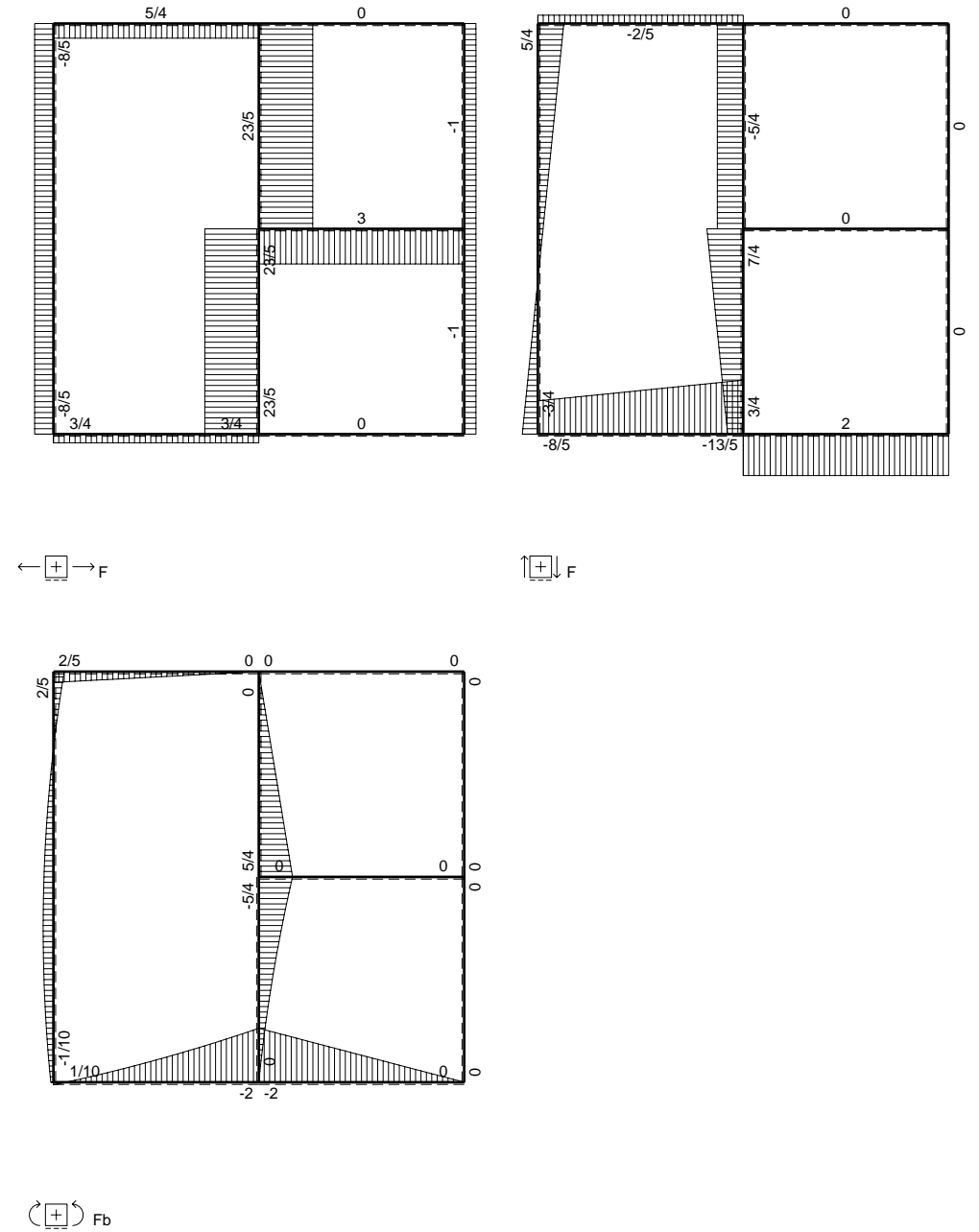
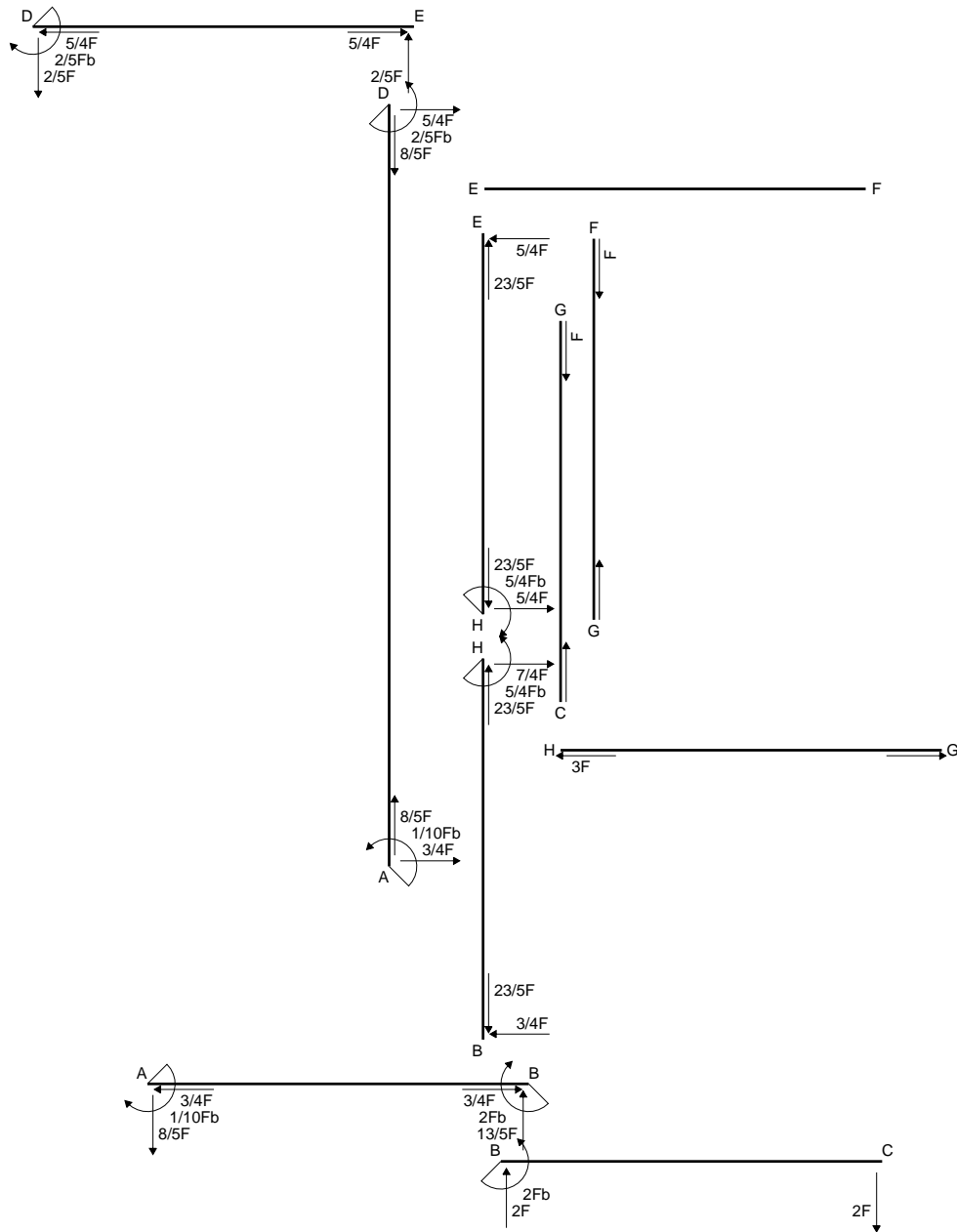
$$= (b - 5/2 b + 4/3 b) \cdot Fb \cdot 1/EJ = -1/6 \cdot Fb^2/EJ$$

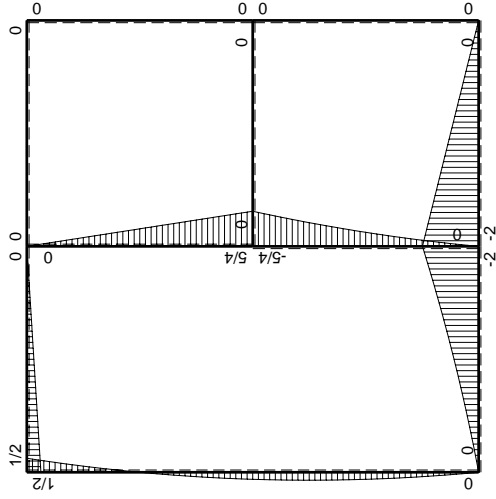
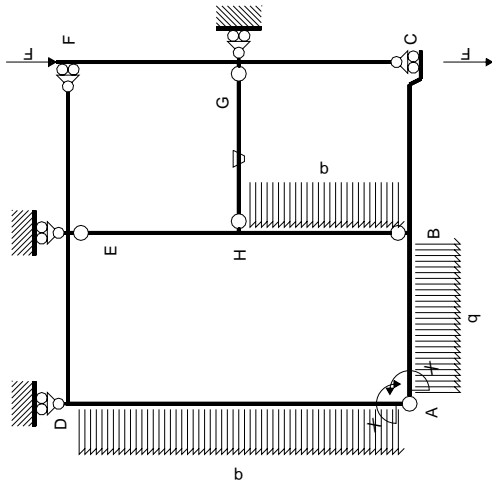
$$L_{DE}^{xo} = \int_0^b (1/2 - x/b + 1/2 x^2/b^2) \cdot Fb \cdot 1/EJ \, dx = \left[1/2 x - 1/2 x^2/b + 1/6 x^3/b^2 \right]_0^b \cdot Fb \cdot 1/EJ$$

$$= (1/2 b - 1/2 b + 1/6 b) \cdot Fb \cdot 1/EJ = 1/6 \cdot Fb^2/EJ$$

$$L_{ED}^{xo} = \int_0^b (1/2 x^2/b^2) \cdot Fb \cdot 1/EJ \, dx = \left[1/6 x^3/b^2 \right]_0^b \cdot Fb \cdot 1/EJ$$

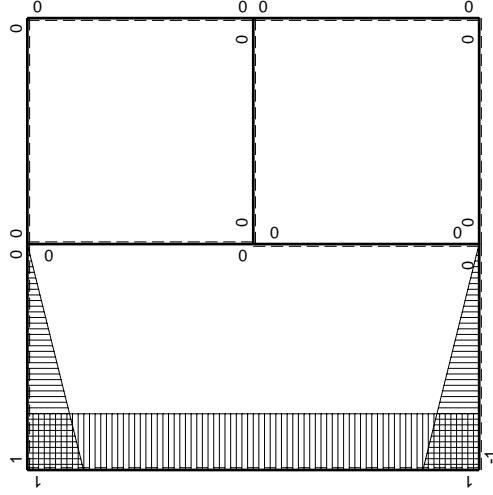
$$= (1/6 b) \cdot Fb \cdot 1/EJ = 1/6 \cdot Fb^2/EJ$$





Schema di calcolo iperstatico

M₀ flessione da carichi assegnati



M_x flessione da iperstatica X=1

Quadro contributi PLV per iperstatica $X=W_{AB}$

→	$M_x(x)$	$M_o(x)$	θ	$M_x M_o$	$M_x \theta$	$M_x M_x$	$\int M_x(M_o/EJ+\theta)dx$	$\int X M_x M_x/EJdx$
AB b	$-1+x/b$	$-3/2Fx-1/2qx^2$	0	$3/2Fx-Fx^2/b-1/2qx^3/b$	0	$1-2x/b+x^2/b^2$	$(7/24+0)Fb^2/EJ$	$1/3Xb/EJ$
BA b	x/b	$2Fb-5/2Fx+1/2qx^2$	0	$2Fx-5/2Fx^2/b+1/2qx^3/b$	0	x^2/b^2		
BC b	0	$-2Fb+2Fx$	0	0	0	0	0+0	0
CB b	0	$2Fx$	0	0	0	0		
AD 2b	1	$-3/4Fx+1/2qx^2$	0	$-3/4Fx+1/2Fx^2/b$	0	1	$(-1/6+0)Fb^2/EJ$	$2Xb/EJ$
DA 2b	-1	$-1/2Fb+5/4Fx-1/2qx^2$	0	$1/2Fb-5/4Fx+1/2Fx^2/b$	0	1		
DE b	$1-x/b$	$1/2Fb-1/2Fx$	0	$1/2Fb-Fx+1/2Fx^2/b$	0	$1-2x/b+x^2/b^2$	$(1/6+0)Fb^2/EJ$	$1/3Xb/EJ$
ED b	$-x/b$	$-1/2Fx$	0	$1/2Fx^2/b$	0	x^2/b^2		
EF b	0	0	0	0	0	0	0+0	0
FE b	0	0	0	0	0	0		
FG b	0	0	0	0	0	0	0+0	0
GF b	0	0	0	0	0	0		
GC b	0	0	0	0	0	0	0+0	0
CG b	0	0	0	0	0	0		
HG b	0	0	$-Fb/EJ$	0	0	0	0+0	0
GH b	0	0	Fb/EJ	0	0	0		
HB b	0	$-5/4Fb+7/4Fx-1/2qx^2$	0	0	0	0	0+0	0
BH b	0	$3/4Fx+1/2qx^2$	0	0	0	0		
HE b	0	$5/4Fb-5/4Fx$	0	0	0	0	0+0	0
EH b	0	$-5/4Fx$	0	0	0	0		
AB	molla asta $-W_{1AB}(W_{0AB}+XW_{1AB})/k_{AB}$							$1/4Xb/EJ$
	totali						$7/24Fb^2/EJ$	$35/12Xb/EJ$
	iperstatica $X=W_{AB}$						$-1/10Fb$	

Sviluppi di calcolo iperstatica

$$L_{AB}^{xx} = \int_0^b (1 - 2x/b + x^2/b^2) \cdot 1/EJ \, dx + 1 \cdot 1/4 \cdot b/EJ = \left[x - x^2/b + 1/3 x^3/b^2 \right]_0^b \cdot 1/EJ + 1 \cdot 1/4 \cdot b/EJ$$

$$= (b - b + 1/3 b) \cdot 1/EJ + 1 \cdot 1/4 \cdot b/EJ = 7/12 \cdot b/EJ$$

$$L_{BA}^{xx} = \int_0^b (x^2/b^2) \cdot 1/EJ \, dx + 1 \cdot 1/4 \cdot b/EJ = \left[1/3 x^3/b^2 \right]_0^b \cdot 1/EJ + 1 \cdot 1/4 \cdot b/EJ$$

$$= (1/3 b) \cdot 1/EJ + 1 \cdot 1/4 \cdot b/EJ = 7/12 \cdot b/EJ$$

$$L_{AD}^{xx} = \int_0^{2b} (1) \cdot 1/EJ \, dx = \left[x \right]_0^{2b} \cdot 1/EJ$$

$$= (2b) \cdot 1/EJ = 2 \cdot b/EJ$$

$$L_{DA}^{xx} = \int_0^{2b} (1) \cdot 1/EJ \, dx = \left[x \right]_0^{2b} \cdot 1/EJ$$

$$= (2b) \cdot 1/EJ = 2 \cdot b/EJ$$

$$L_{DE}^{xx} = \int_0^b (1 - 2x/b + x^2/b^2) \cdot 1/EJ \, dx = \left[x - x^2/b + 1/3 x^3/b^2 \right]_0^b \cdot 1/EJ$$

$$= (b - b + 1/3 b) \cdot 1/EJ = 1/3 \cdot b/EJ$$

$$L_{ED}^{xx} = \int_0^b (x^2/b^2) \cdot 1/EJ \, dx = \left[1/3 x^3/b^2 \right]_0^b \cdot 1/EJ$$

$$= (1/3 b) \cdot 1/EJ = 1/3 \cdot b/EJ$$

$$L_{AB}^{xo} = \int_0^b (3/2 x/b - x^2/b^2 - 1/2 x^3/b^3) \cdot Fb \cdot 1/EJ \, dx + 1 \cdot 0 \cdot 1/4 \cdot Fb^2/EJ$$

$$= \left[3/4 x^2/b - 1/3 x^3/b^2 - 1/8 x^4/b^3 \right]_0^b \cdot Fb \cdot 1/EJ + 1 \cdot 0 \cdot 1/4 \cdot Fb^2/EJ$$

$$= (3/4 b - 1/3 b - 1/8 b) \cdot Fb \cdot 1/EJ + 1 \cdot 0 \cdot 1/4 \cdot Fb^2/EJ = 7/24 \cdot Fb^2/EJ$$

$$L_{BA}^{xo} = \int_0^b (2x/b - 5/2 x^2/b^2 + 1/2 x^3/b^3) \cdot Fb \cdot 1/EJ \, dx + 1 \cdot 0 \cdot 1/4 \cdot Fb^2/EJ$$

$$= \left[x^2/b - 5/6 x^3/b^2 + 1/8 x^4/b^3 \right]_0^b \cdot Fb \cdot 1/EJ + 1 \cdot 0 \cdot 1/4 \cdot Fb^2/EJ$$

$$= (b - 5/6 b + 1/8 b) \cdot Fb \cdot 1/EJ + 1 \cdot 0 \cdot 1/4 \cdot Fb^2/EJ = 7/24 \cdot Fb^2/EJ$$

$$L_{AD}^{xo} = \int_0^{2b} (-3/4 x/b + 1/2 x^2/b^2) \cdot Fb \cdot 1/EJ \, dx = \left[-3/8 x^2/b + 1/6 x^3/b^2 \right]_0^{2b} \cdot Fb \cdot 1/EJ$$

$$= (-3/2 b + 4/3 b) \cdot Fb \cdot 1/EJ = -1/6 \cdot Fb^2/EJ$$

$$L_{DA}^{xo} = \int_0^{2b} (1/2 - 5/4 x/b + 1/2 x^2/b^2) \cdot Fb \cdot 1/EJ \, dx = \left[1/2 x - 5/8 x^2/b + 1/6 x^3/b^2 \right]_0^{2b} \cdot Fb \cdot 1/EJ$$

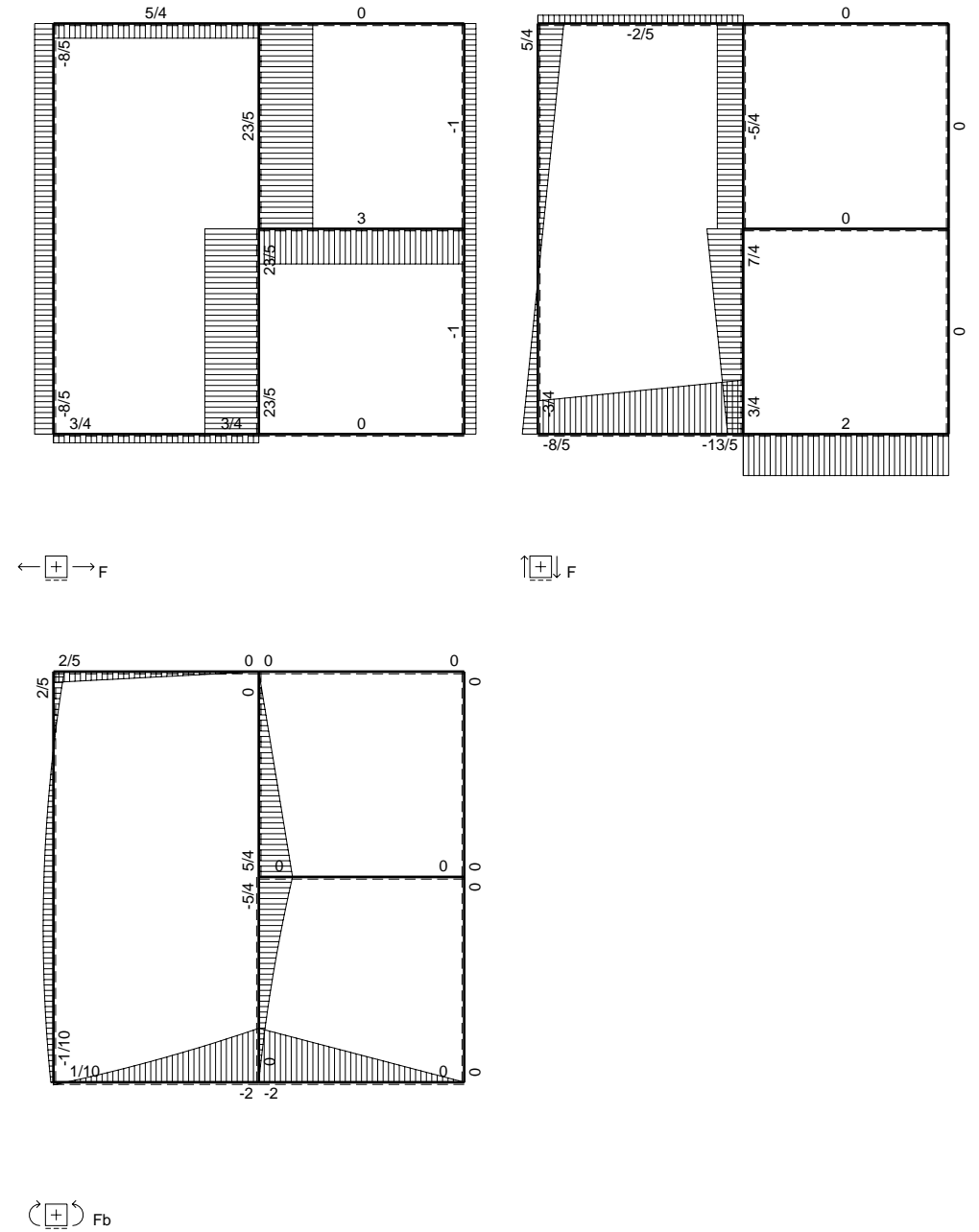
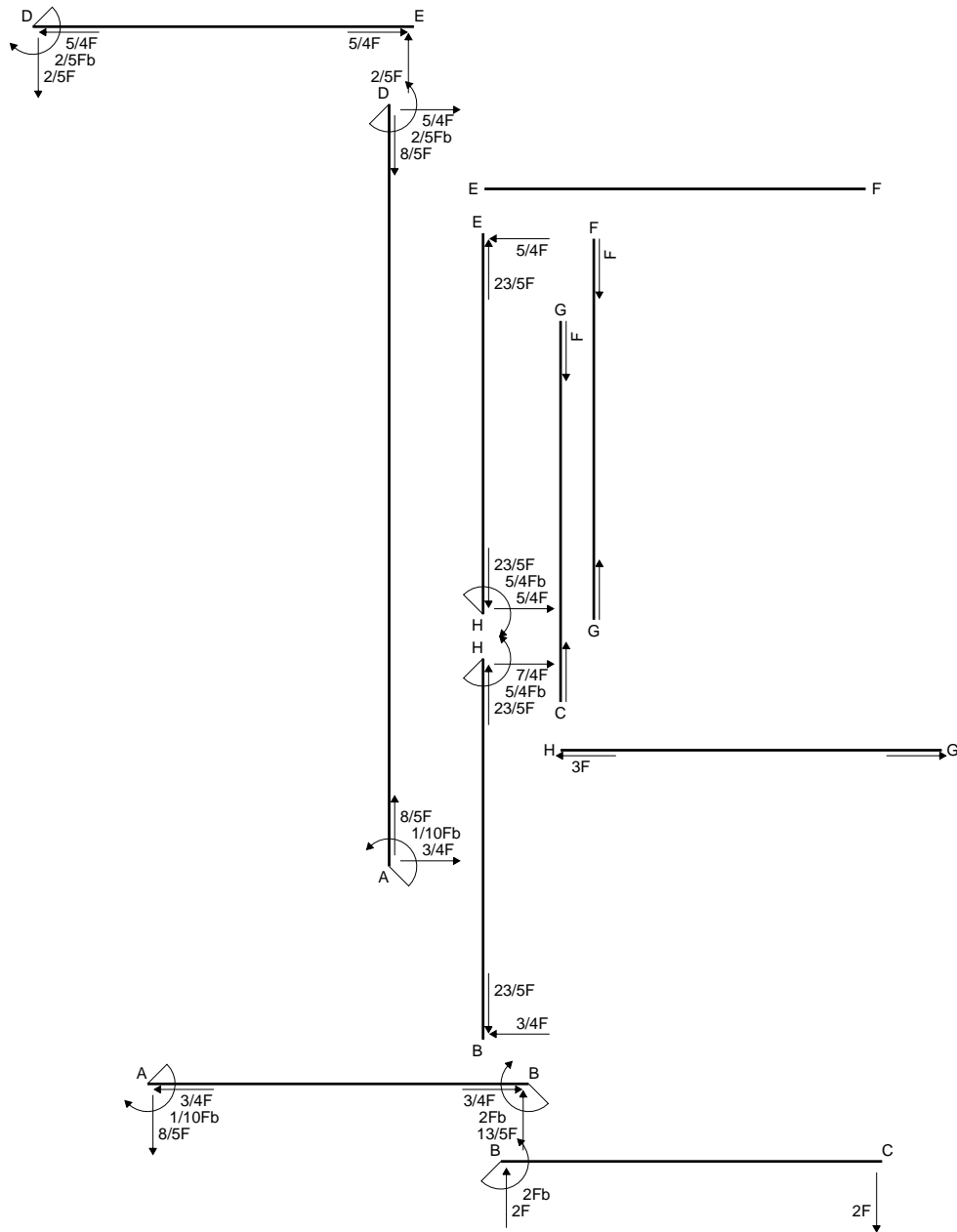
$$= (b - 5/2 b + 4/3 b) \cdot Fb \cdot 1/EJ = -1/6 \cdot Fb^2/EJ$$

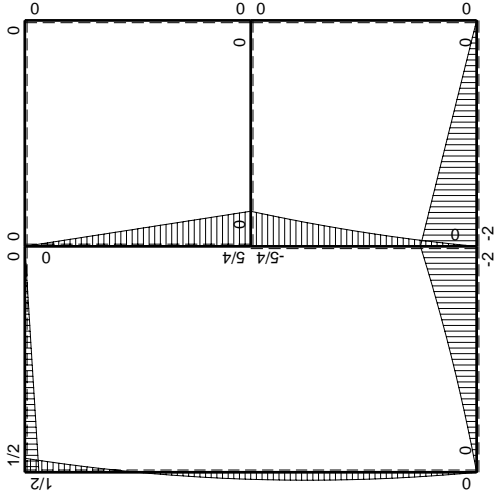
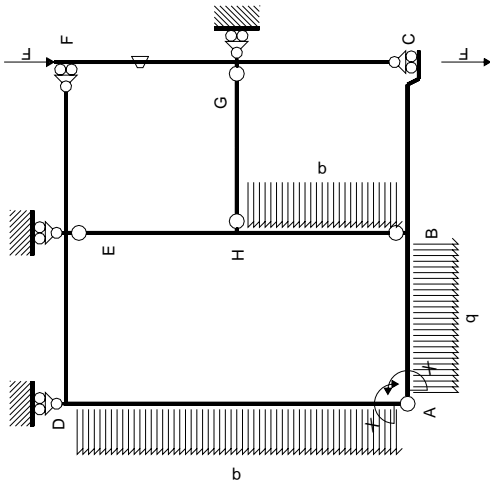
$$L_{DE}^{xo} = \int_0^b (1/2 - x/b + 1/2 x^2/b^2) \cdot Fb \cdot 1/EJ \, dx = \left[1/2 x - 1/2 x^2/b + 1/6 x^3/b^2 \right]_0^b \cdot Fb \cdot 1/EJ$$

$$= (1/2 b - 1/2 b + 1/6 b) \cdot Fb \cdot 1/EJ = 1/6 \cdot Fb^2/EJ$$

$$L_{ED}^{xo} = \int_0^b (1/2 x^2/b^2) \cdot Fb \cdot 1/EJ \, dx = \left[1/6 x^3/b^2 \right]_0^b \cdot Fb \cdot 1/EJ$$

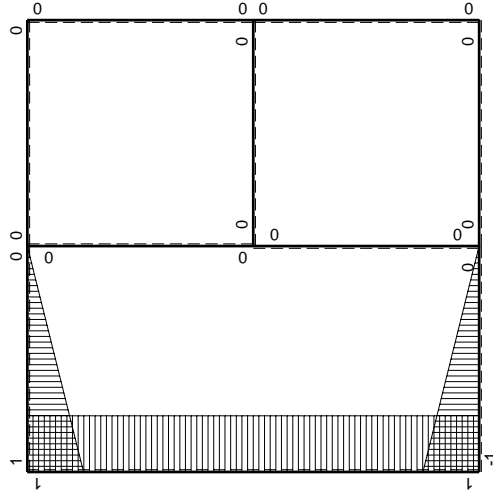
$$= (1/6 b) \cdot Fb \cdot 1/EJ = 1/6 \cdot Fb^2/EJ$$





Schema di calcolo iperstatico

M_0 flessione da carichi assegnati



M_x flessione da iperstatica X=1

Quadro contributi PLV per iperstatica $X=W_{AB}$

→	$M_x(x)$	$M_o(x)$	θ	$M_x M_o$	$M_x \theta$	$M_x M_x$	$\int M_x(M_o/EJ+\theta)dx$	$\int X M_x M_x/EJdx$	
AB b	$-1+x/b$	$-3/2Fx-1/2qx^2$	0	$3/2Fx-Fx^2/b-1/2qx^3/b$	0	$1-2x/b+x^2/b^2$	$(7/24+0)Fb^2/EJ$	$1/3Xb/EJ$	
BA b	x/b	$2Fb-5/2Fx+1/2qx^2$	0	$2Fx-5/2Fx^2/b+1/2qx^3/b$	0	x^2/b^2			
BC b	0	$-2Fb+2Fx$	0	0	0	0	0+0	0	
CB b	0	$2Fx$	0	0	0	0			
AD 2b	1	$-3/4Fx+1/2qx^2$	0	$-3/4Fx+1/2Fx^2/b$	0	1	$(-1/6+0)Fb^2/EJ$	$2Xb/EJ$	
DA 2b	-1	$-1/2Fb+5/4Fx-1/2qx^2$	0	$1/2Fb-5/4Fx+1/2Fx^2/b$	0	1			
DE b	$1-x/b$	$1/2Fb-1/2Fx$	0	$1/2Fb-Fx+1/2Fx^2/b$	0	$1-2x/b+x^2/b^2$	$(1/6+0)Fb^2/EJ$	$1/3Xb/EJ$	
ED b	$-x/b$	$-1/2Fx$	0	$1/2Fx^2/b$	0	x^2/b^2			
EF b	0	0	0	0	0	0	0+0	0	
FE b	0	0	0	0	0	0			
FG b	0	0	$-Fb/EJ$	0	0	0	0+0	0	
GF b	0	0	Fb/EJ	0	0	0			
GC b	0	0	0	0	0	0	0+0	0	
CG b	0	0	0	0	0	0			
HG b	0	0	0	0	0	0	0+0	0	
GH b	0	0	0	0	0	0			
HB b	0	$-5/4Fb+7/4Fx-1/2qx^2$	0	0	0	0	0+0	0	
BH b	0	$3/4Fx+1/2qx^2$	0	0	0	0			
HE b	0	$5/4Fb-5/4Fx$	0	0	0	0	0+0	0	
EH b	0	$-5/4Fx$	0	0	0	0			
AB	molla asta $-W_{1AB}(W_{0AB}+XW_{1AB})/k_{AB}$								$1/4Xb/EJ$
	totali							$7/24Fb^2/EJ$	$35/12Xb/EJ$
	iperstatica $X=W_{AB}$							$-1/10Fb$	

Sviluppi di calcolo iperstatica

$$L_{AB}^{xx} = \int_0^b (1 - 2x/b + x^2/b^2) \cdot 1/EJ \, dx + 1 \cdot 1/4 \cdot b/EJ = \left[x - x^2/b + 1/3 x^3/b^2 \right]_0^b \cdot 1/EJ + 1 \cdot 1/4 \cdot b/EJ$$

$$= (b - b + 1/3 b) \cdot 1/EJ + 1 \cdot 1/4 \cdot b/EJ = 7/12 \cdot b/EJ$$

$$L_{BA}^{xx} = \int_0^b (x^2/b^2) \cdot 1/EJ \, dx + 1 \cdot 1/4 \cdot b/EJ = \left[1/3 x^3/b^2 \right]_0^b \cdot 1/EJ + 1 \cdot 1/4 \cdot b/EJ$$

$$= (1/3 b) \cdot 1/EJ + 1 \cdot 1/4 \cdot b/EJ = 7/12 \cdot b/EJ$$

$$L_{AD}^{xx} = \int_0^{2b} (1) \cdot 1/EJ \, dx = \left[x \right]_0^{2b} \cdot 1/EJ$$

$$= (2b) \cdot 1/EJ = 2 \cdot b/EJ$$

$$L_{DA}^{xx} = \int_0^{2b} (1) \cdot 1/EJ \, dx = \left[x \right]_0^{2b} \cdot 1/EJ$$

$$= (2b) \cdot 1/EJ = 2 \cdot b/EJ$$

$$L_{DE}^{xx} = \int_0^b (1 - 2x/b + x^2/b^2) \cdot 1/EJ \, dx = \left[x - x^2/b + 1/3 x^3/b^2 \right]_0^b \cdot 1/EJ$$

$$= (b - b + 1/3 b) \cdot 1/EJ = 1/3 \cdot b/EJ$$

$$L_{ED}^{xx} = \int_0^b (x^2/b^2) \cdot 1/EJ \, dx = \left[1/3 x^3/b^2 \right]_0^b \cdot 1/EJ$$

$$= (1/3 b) \cdot 1/EJ = 1/3 \cdot b/EJ$$

$$L_{AB}^{xo} = \int_0^b (3/2 x/b - x^2/b^2 - 1/2 x^3/b^3) \cdot Fb \cdot 1/EJ \, dx + 1 \cdot 0 \cdot 1/4 \cdot Fb^2/EJ$$

$$= \left[3/4 x^2/b - 1/3 x^3/b^2 - 1/8 x^4/b^3 \right]_0^b \cdot Fb \cdot 1/EJ + 1 \cdot 0 \cdot 1/4 \cdot Fb^2/EJ$$

$$= (3/4 b - 1/3 b - 1/8 b) \cdot Fb \cdot 1/EJ + 1 \cdot 0 \cdot 1/4 \cdot Fb^2/EJ = 7/24 \cdot Fb^2/EJ$$

$$L_{BA}^{xo} = \int_0^b (2x/b - 5/2 x^2/b^2 + 1/2 x^3/b^3) \cdot Fb \cdot 1/EJ \, dx + 1 \cdot 0 \cdot 1/4 \cdot Fb^2/EJ$$

$$= \left[x^2/b - 5/6 x^3/b^2 + 1/8 x^4/b^3 \right]_0^b \cdot Fb \cdot 1/EJ + 1 \cdot 0 \cdot 1/4 \cdot Fb^2/EJ$$

$$= (b - 5/6 b + 1/8 b) \cdot Fb \cdot 1/EJ + 1 \cdot 0 \cdot 1/4 \cdot Fb^2/EJ = 7/24 \cdot Fb^2/EJ$$

$$L_{AD}^{xo} = \int_0^{2b} (-3/4 x/b + 1/2 x^2/b^2) \cdot Fb \cdot 1/EJ \, dx = \left[-3/8 x^2/b + 1/6 x^3/b^2 \right]_0^{2b} \cdot Fb \cdot 1/EJ$$

$$= (-3/2 b + 4/3 b) \cdot Fb \cdot 1/EJ = -1/6 \cdot Fb^2/EJ$$

$$L_{DA}^{xo} = \int_0^{2b} (1/2 - 5/4 x/b + 1/2 x^2/b^2) \cdot Fb \cdot 1/EJ \, dx = \left[1/2 x - 5/8 x^2/b + 1/6 x^3/b^2 \right]_0^{2b} \cdot Fb \cdot 1/EJ$$

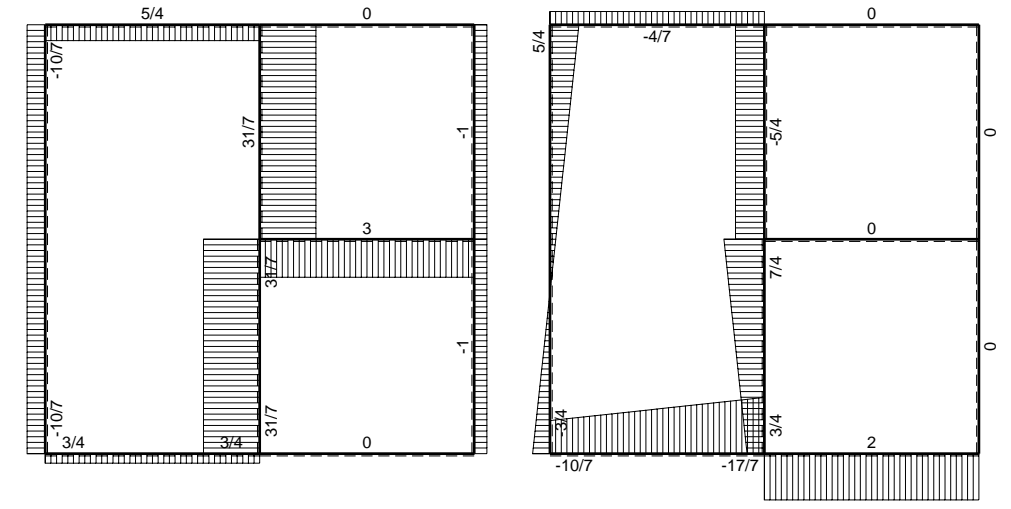
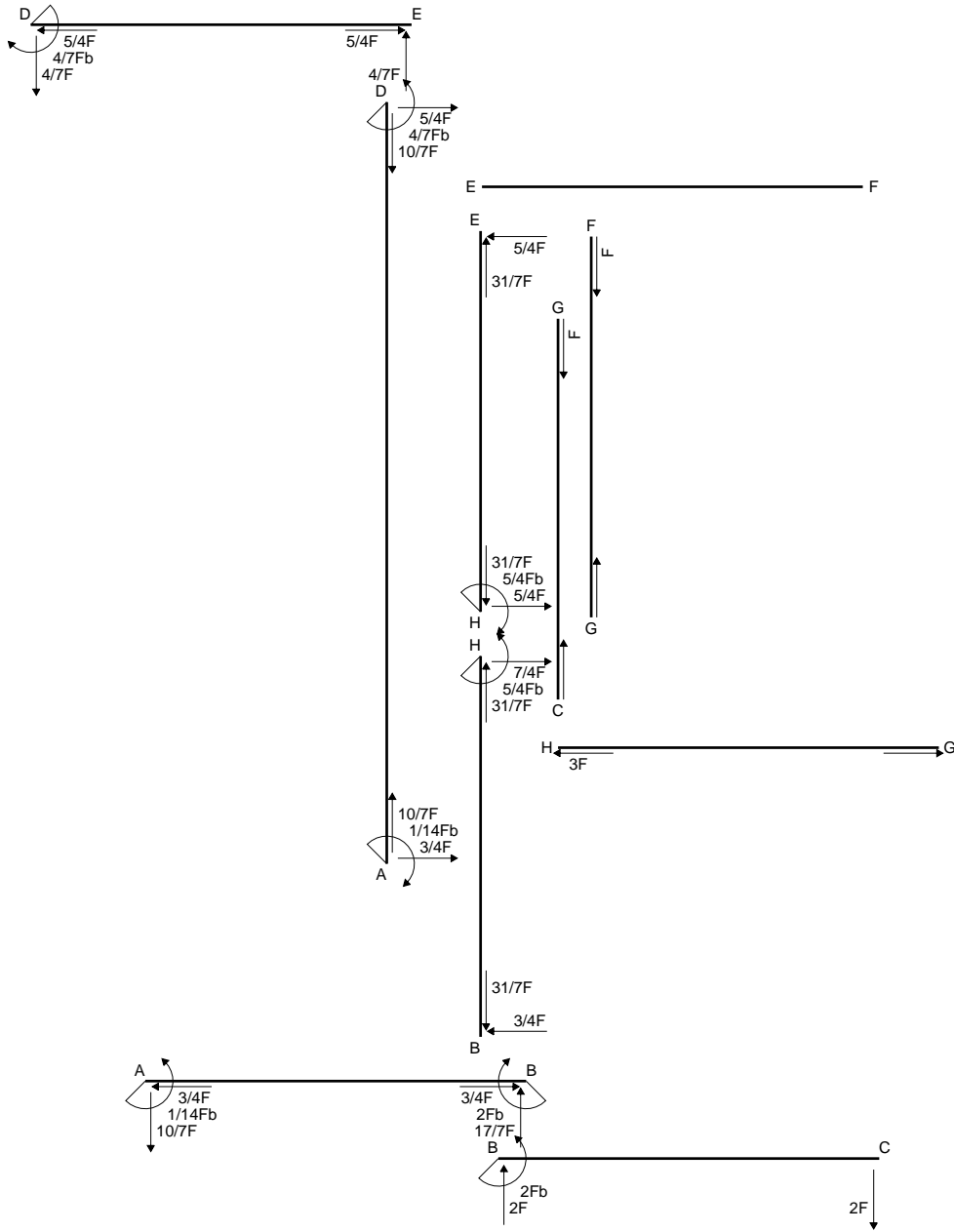
$$= (b - 5/2 b + 4/3 b) \cdot Fb \cdot 1/EJ = -1/6 \cdot Fb^2/EJ$$

$$L_{DE}^{xo} = \int_0^b (1/2 - x/b + 1/2 x^2/b^2) \cdot Fb \cdot 1/EJ \, dx = \left[1/2 x - 1/2 x^2/b + 1/6 x^3/b^2 \right]_0^b \cdot Fb \cdot 1/EJ$$

$$= (1/2 b - 1/2 b + 1/6 b) \cdot Fb \cdot 1/EJ = 1/6 \cdot Fb^2/EJ$$

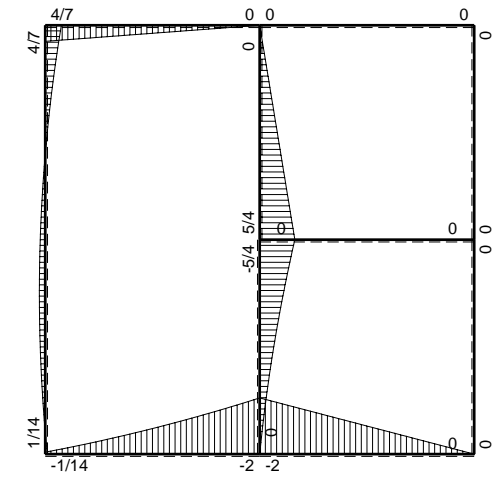
$$L_{ED}^{xo} = \int_0^b (1/2 x^2/b^2) \cdot Fb \cdot 1/EJ \, dx = \left[1/6 x^3/b^2 \right]_0^b \cdot Fb \cdot 1/EJ$$

$$= (1/6 b) \cdot Fb \cdot 1/EJ = 1/6 \cdot Fb^2/EJ$$

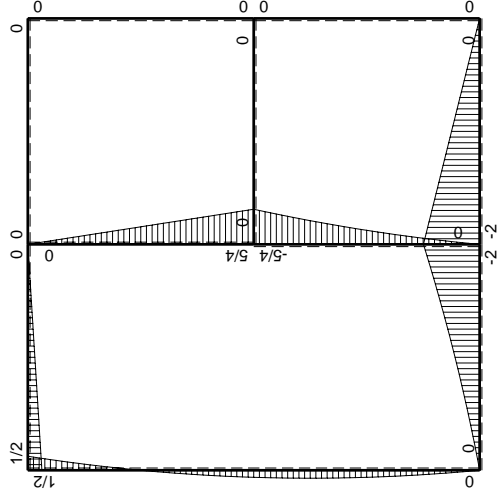
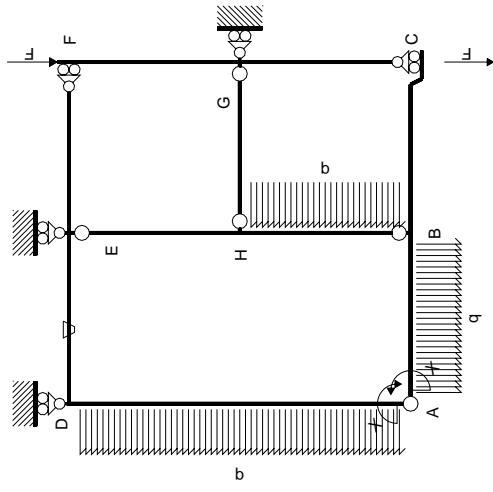


← ⊕ → F

↑ ⊕ ↓ Fb

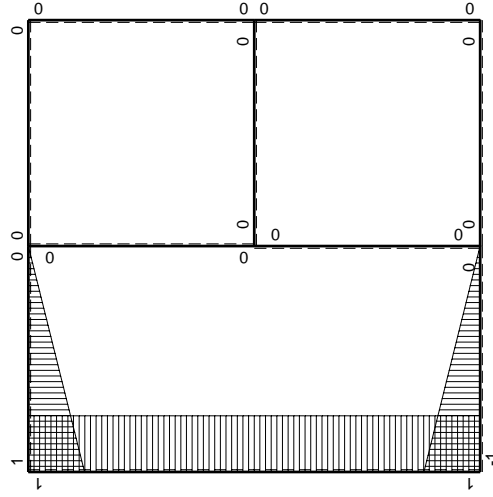


⊕ ⊖ Fb



Schema di calcolo iperstatico

M_0 flessione da carichi assegnati



M_x flessione da iperstatica X=1

Quadro contributi PLV per iperstatica $X=W_{AB}$

→	$M_x(x)$	$M_o(x)$	θ	$M_x M_o$	$M_x \theta$	$M_x M_x$	$\int M_x(M_o/EJ+\theta)dx$	$\int X M_x M_x / EJ dx$
AB b	$-1+x/b$	$-3/2Fx-1/2qx^2$	0	$3/2Fx-Fx^2/b-1/2qx^3/b$	0	$1-2x/b+x^2/b^2$	$(7/24+0)Fb^2/EJ$	$1/3Xb/EJ$
BA b	x/b	$2Fb-5/2Fx+1/2qx^2$	0	$2Fx-5/2Fx^2/b+1/2qx^3/b$	0	x^2/b^2		
BC b	0	$-2Fb+2Fx$	0	0	0	0	0+0	0
CB b	0	$2Fx$	0	0	0	0		
AD 2b	1	$-3/4Fx+1/2qx^2$	0	$-3/4Fx+1/2Fx^2/b$	0	1	$(-1/6+0)Fb^2/EJ$	$2Xb/EJ$
DA 2b	-1	$-1/2Fb+5/4Fx-1/2qx^2$	0	$1/2Fb-5/4Fx+1/2Fx^2/b$	0	1		
DE b	$1-x/b$	$1/2Fb-1/2Fx$	$-Fb/EJ$	$1/2Fb-Fx+1/2Fx^2/b$	$-Fb/EJ+Fx/EJ$	$1-2x/b+x^2/b^2$	$(1/6-1/2)Fb^2/EJ$	$1/3Xb/EJ$
ED b	$-x/b$	$-1/2Fx$	Fb/EJ	$1/2Fx^2/b$	$-Fx/EJ$	x^2/b^2		
EF b	0	0	0	0	0	0	0+0	0
FE b	0	0	0	0	0	0		
FG b	0	0	0	0	0	0	0+0	0
GF b	0	0	0	0	0	0		
GC b	0	0	0	0	0	0	0+0	0
CG b	0	0	0	0	0	0		
HG b	0	0	0	0	0	0	0+0	0
GH b	0	0	0	0	0	0		
HB b	0	$-5/4Fb+7/4Fx-1/2qx^2$	0	0	0	0	0+0	0
BH b	0	$3/4Fx+1/2qx^2$	0	0	0	0		
HE b	0	$5/4Fb-5/4Fx$	0	0	0	0	0+0	0
EH b	0	$-5/4Fx$	0	0	0	0		
AB	molla asta $-W_{1AB}(W_{0AB}+XW_{1AB})/k_{AB}$							$1/4Xb/EJ$
	totali						$-5/24Fb^2/EJ$	$35/12Xb/EJ$
	iperstatica $X=W_{AB}$						$1/14Fb$	

Sviluppi di calcolo iperstatica

$$L_{AB}^{xx} = \int_0^b (1 - 2x/b + x^2/b^2) \cdot 1/EJ \, dx + 1 \cdot 1/4 \cdot b/EJ = \left[x - x^2/b + 1/3 x^3/b^2 \right]_0^b \cdot 1/EJ + 1 \cdot 1/4 \cdot b/EJ$$

$$= (b - b + 1/3 b) \cdot 1/EJ + 1 \cdot 1/4 \cdot b/EJ = 7/12 \cdot b/EJ$$

$$L_{BA}^{xx} = \int_0^b (x^2/b^2) \cdot 1/EJ \, dx + 1 \cdot 1/4 \cdot b/EJ = \left[1/3 x^3/b^2 \right]_0^b \cdot 1/EJ + 1 \cdot 1/4 \cdot b/EJ$$

$$= (1/3 b) \cdot 1/EJ + 1 \cdot 1/4 \cdot b/EJ = 7/12 \cdot b/EJ$$

$$L_{AD}^{xx} = \int_0^{2b} (1) \cdot 1/EJ \, dx = \left[x \right]_0^{2b} \cdot 1/EJ$$

$$= (2b) \cdot 1/EJ = 2 \cdot b/EJ$$

$$L_{DA}^{xx} = \int_0^{2b} (1) \cdot 1/EJ \, dx = \left[x \right]_0^{2b} \cdot 1/EJ$$

$$= (2b) \cdot 1/EJ = 2 \cdot b/EJ$$

$$L_{DE}^{xx} = \int_0^b (1 - 2x/b + x^2/b^2) \cdot 1/EJ \, dx = \left[x - x^2/b + 1/3 x^3/b^2 \right]_0^b \cdot 1/EJ$$

$$= (b - b + 1/3 b) \cdot 1/EJ = 1/3 \cdot b/EJ$$

$$L_{ED}^{xx} = \int_0^b (x^2/b^2) \cdot 1/EJ \, dx = \left[1/3 x^3/b^2 \right]_0^b \cdot 1/EJ$$

$$= (1/3 b) \cdot 1/EJ = 1/3 \cdot b/EJ$$

$$L_{AB}^{xo} = \int_0^b (3/2 x/b - x^2/b^2 - 1/2 x^3/b^3) \cdot Fb \cdot 1/EJ \, dx + 1 \cdot 0 \cdot 1/4 \cdot Fb^2/EJ$$

$$= \left[3/4 x^2/b - 1/3 x^3/b^2 - 1/8 x^4/b^3 \right]_0^b \cdot Fb \cdot 1/EJ + 1 \cdot 0 \cdot 1/4 \cdot Fb^2/EJ$$

$$= (3/4 b - 1/3 b - 1/8 b) \cdot Fb \cdot 1/EJ + 1 \cdot 0 \cdot 1/4 \cdot Fb^2/EJ = 7/24 \cdot Fb^2/EJ$$

$$L_{BA}^{xo} = \int_0^b (2x/b - 5/2 x^2/b^2 + 1/2 x^3/b^3) \cdot Fb \cdot 1/EJ \, dx + 1 \cdot 0 \cdot 1/4 \cdot Fb^2/EJ$$

$$= \left[x^2/b - 5/6 x^3/b^2 + 1/8 x^4/b^3 \right]_0^b \cdot Fb \cdot 1/EJ + 1 \cdot 0 \cdot 1/4 \cdot Fb^2/EJ$$

$$= (b - 5/6 b + 1/8 b) \cdot Fb \cdot 1/EJ + 1 \cdot 0 \cdot 1/4 \cdot Fb^2/EJ = 7/24 \cdot Fb^2/EJ$$

$$L_{AD}^{xo} = \int_0^{2b} (-3/4 x/b + 1/2 x^2/b^2) \cdot Fb \cdot 1/EJ \, dx = \left[-3/8 x^2/b + 1/6 x^3/b^2 \right]_0^{2b} \cdot Fb \cdot 1/EJ$$

$$= (-3/2 b + 4/3 b) \cdot Fb \cdot 1/EJ = -1/6 \cdot Fb^2/EJ$$

$$L_{DA}^{xo} = \int_0^{2b} (1/2 - 5/4 x/b + 1/2 x^2/b^2) \cdot Fb \cdot 1/EJ \, dx = \left[1/2 x - 5/8 x^2/b + 1/6 x^3/b^2 \right]_0^{2b} \cdot Fb \cdot 1/EJ$$

$$= (b - 5/2 b + 4/3 b) \cdot Fb \cdot 1/EJ = -1/6 \cdot Fb^2/EJ$$

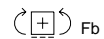
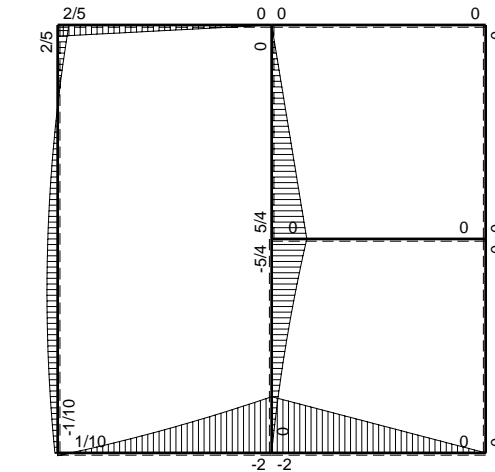
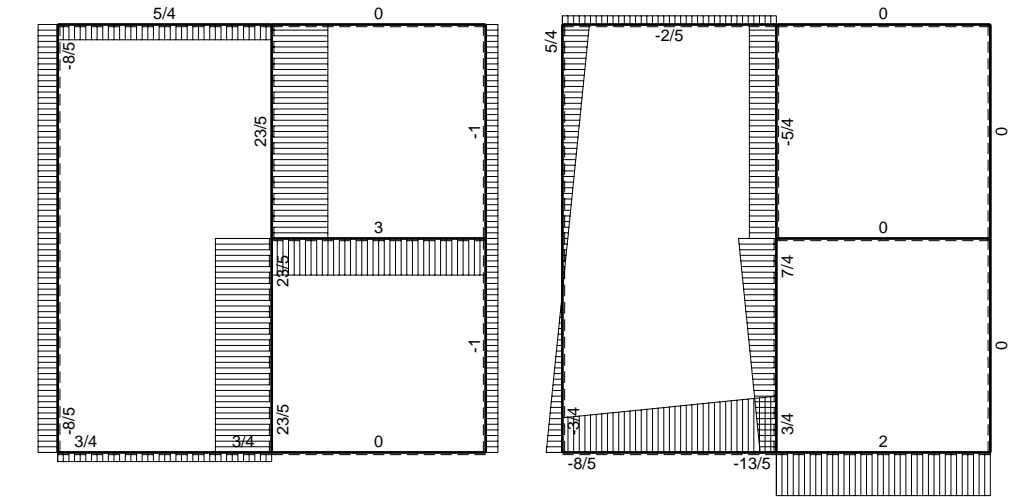
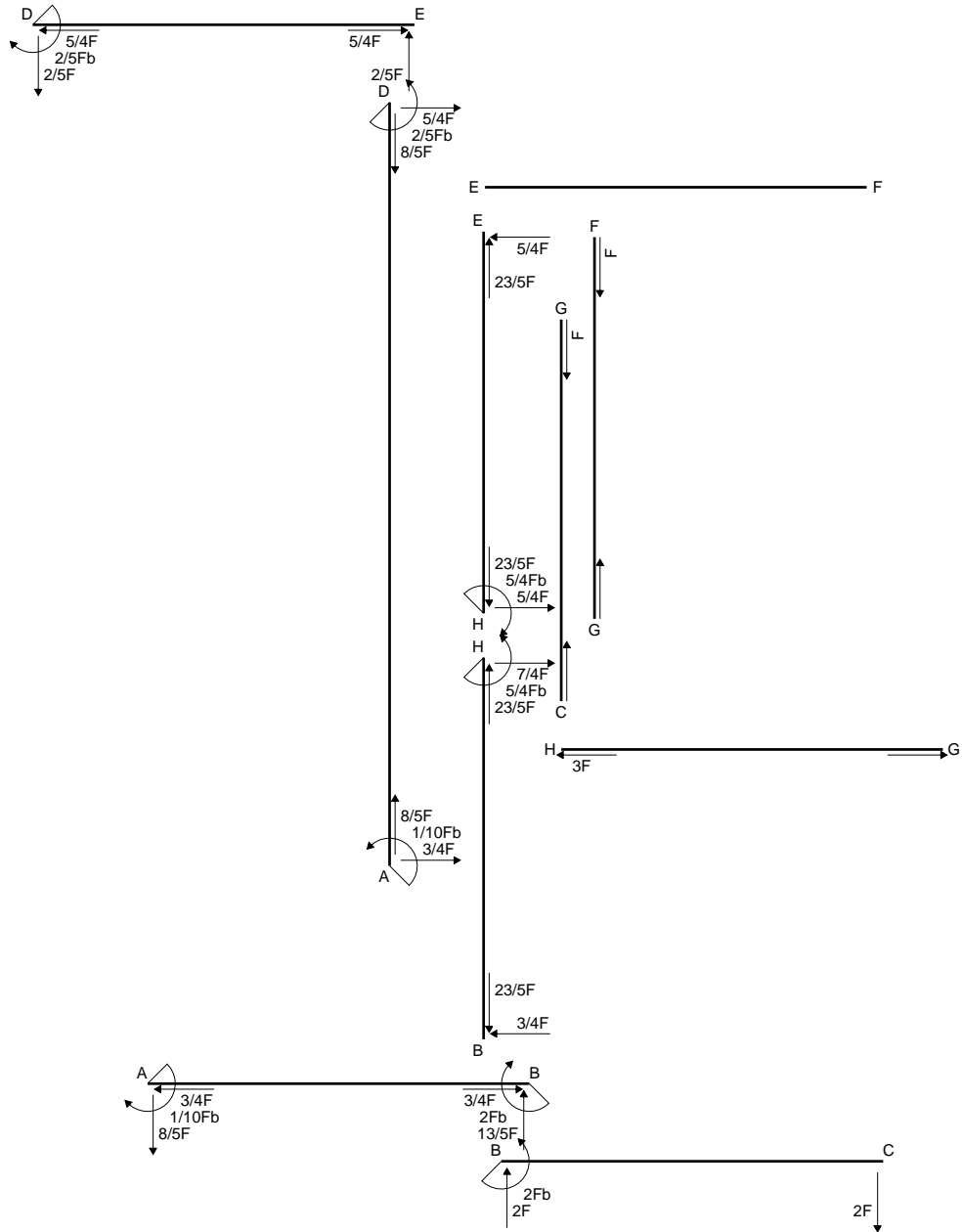
$$L_{DE}^{xo} = \int_0^b (1/2 - x/b + 1/2 x^2/b^2) \cdot Fb \cdot 1/EJ \, dx + \int_0^b (-1 + x/b) \cdot \theta \, dx$$

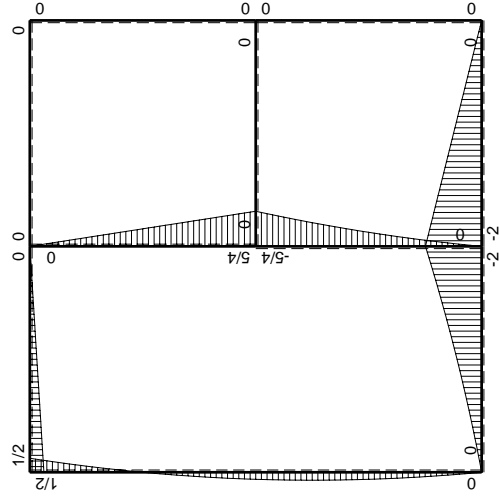
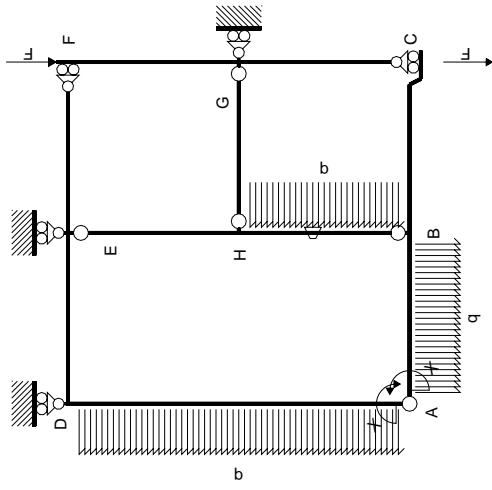
$$= \left[1/2 x - 1/2 x^2/b + 1/6 x^3/b^2 \right]_0^b \cdot Fb \cdot 1/EJ + \left[-x + 1/2 x^2/b \right]_0^b \cdot \theta$$

$$= (1/2 b - 1/2 b + 1/6 b) \cdot Fb \cdot 1/EJ + (-b + 1/2 b) \cdot \theta = -1/3 \cdot Fb^2/EJ$$

$$L_{ED}^{xo} = \int_0^b (1/2 x^2/b^2) \cdot Fb \cdot 1/EJ \, dx + \int_0^b (x/b) \cdot \theta \, dx = \left[1/6 x^3/b^2 \right]_0^b \cdot Fb \cdot 1/EJ + \left[1/2 x^2/b \right]_0^b \cdot \theta$$

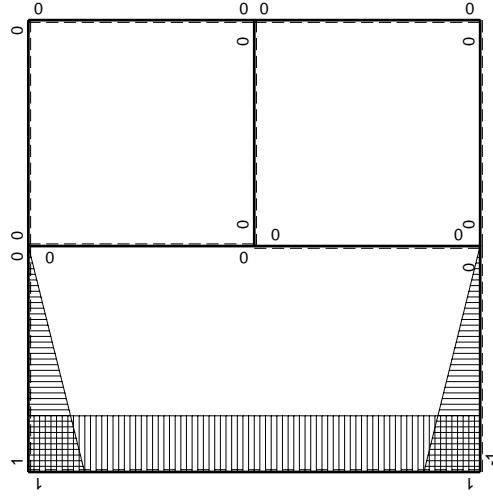
$$= (1/6 b) \cdot Fb \cdot 1/EJ + (1/2 b) \cdot \theta = -1/3 \cdot Fb^2/EJ$$





Schema di calcolo iperstatico

M_0 flessione da carichi assegnati



M_x flessione da iperstatica $X=1$

Quadro contributi PLV per iperstatica $X=W_{AB}$

→	$M_x(x)$	$M_o(x)$	θ	$M_x M_o$	$M_x \theta$	$M_x M_x$	$\int M_x(M_o/EJ+\theta)dx$	$\int X M_x M_x/EJdx$	
AB b	$-1+x/b$	$-3/2Fx-1/2qx^2$	0	$3/2Fx-Fx^2/b-1/2qx^3/b$	0	$1-2x/b+x^2/b^2$	$(7/24+0)Fb^2/EJ$	$1/3Xb/EJ$	
BA b	x/b	$2Fb-5/2Fx+1/2qx^2$	0	$2Fx-5/2Fx^2/b+1/2qx^3/b$	0	x^2/b^2			
BC b	0	$-2Fb+2Fx$	0	0	0	0	0+0	0	
CB b	0	$2Fx$	0	0	0	0			
AD 2b	1	$-3/4Fx+1/2qx^2$	0	$-3/4Fx+1/2Fx^2/b$	0	1	$(-1/6+0)Fb^2/EJ$	$2Xb/EJ$	
DA 2b	-1	$-1/2Fb+5/4Fx-1/2qx^2$	0	$1/2Fb-5/4Fx+1/2Fx^2/b$	0	1			
DE b	$1-x/b$	$1/2Fb-1/2Fx$	0	$1/2Fb-Fx+1/2Fx^2/b$	0	$1-2x/b+x^2/b^2$	$(1/6+0)Fb^2/EJ$	$1/3Xb/EJ$	
ED b	$-x/b$	$-1/2Fx$	0	$1/2Fx^2/b$	0	x^2/b^2			
EF b	0	0	0	0	0	0	0+0	0	
FE b	0	0	0	0	0	0			
FG b	0	0	0	0	0	0	0+0	0	
GF b	0	0	0	0	0	0			
GC b	0	0	0	0	0	0	0+0	0	
CG b	0	0	0	0	0	0			
HG b	0	0	0	0	0	0	0+0	0	
GH b	0	0	0	0	0	0			
HB b	0	$-5/4Fb+7/4Fx-1/2qx^2$	$-Fb/EJ$	0	0	0	0+0	0	
BH b	0	$3/4Fx+1/2qx^2$	Fb/EJ	0	0	0			
HE b	0	$5/4Fb-5/4Fx$	0	0	0	0	0+0	0	
EH b	0	$-5/4Fx$	0	0	0	0			
AB	molla asta $-W_{1AB}(W_{0AB}+XW_{1AB})/k_{AB}$								$1/4Xb/EJ$
	totali							$7/24Fb^2/EJ$	$35/12Xb/EJ$
	iperstatica $X=W_{AB}$							$-1/10Fb$	

Sviluppi di calcolo iperstatica

$$L_{AB}^{xx} = \int_0^b (1 - 2x/b + x^2/b^2) \frac{1}{EJ} dx + 1 \cdot \frac{1}{4} \frac{b}{EJ} = \left[x - x^2/b + 1/3 x^3/b^2 \right]_0^b \frac{1}{EJ} + 1 \cdot \frac{1}{4} \frac{b}{EJ}$$

$$= (b - b + 1/3 b) \frac{1}{EJ} + 1 \cdot \frac{1}{4} \frac{b}{EJ} = 7/12 \frac{b}{EJ}$$

$$L_{BA}^{xx} = \int_0^b (x^2/b^2) \frac{1}{EJ} dx + 1 \cdot \frac{1}{4} \frac{b}{EJ} = \left[1/3 x^3/b^2 \right]_0^b \frac{1}{EJ} + 1 \cdot \frac{1}{4} \frac{b}{EJ}$$

$$= (1/3 b) \frac{1}{EJ} + 1 \cdot \frac{1}{4} \frac{b}{EJ} = 7/12 \frac{b}{EJ}$$

$$L_{AD}^{xx} = \int_0^{2b} (1) \frac{1}{EJ} dx = \left[x \right]_0^{2b} \frac{1}{EJ}$$

$$= (2b) \frac{1}{EJ} = 2 \frac{b}{EJ}$$

$$L_{DA}^{xx} = \int_0^{2b} (1) \frac{1}{EJ} dx = \left[x \right]_0^{2b} \frac{1}{EJ}$$

$$= (2b) \frac{1}{EJ} = 2 \frac{b}{EJ}$$

$$L_{DE}^{xx} = \int_0^b (1 - 2x/b + x^2/b^2) \frac{1}{EJ} dx = \left[x - x^2/b + 1/3 x^3/b^2 \right]_0^b \frac{1}{EJ}$$

$$= (b - b + 1/3 b) \frac{1}{EJ} = 1/3 \frac{b}{EJ}$$

$$L_{ED}^{xx} = \int_0^b (x^2/b^2) \frac{1}{EJ} dx = \left[1/3 x^3/b^2 \right]_0^b \frac{1}{EJ}$$

$$= (1/3 b) \frac{1}{EJ} = 1/3 \frac{b}{EJ}$$

$$L_{AB}^{xo} = \int_0^b (3/2 x/b - x^2/b^2 - 1/2 x^3/b^3) Fb \frac{1}{EJ} dx + 1 \cdot 0 \cdot \frac{1}{4} \frac{Fb^2}{EJ}$$

$$= \left[3/4 x^2/b - 1/3 x^3/b^2 - 1/8 x^4/b^3 \right]_0^b Fb \frac{1}{EJ} + 1 \cdot 0 \cdot \frac{1}{4} \frac{Fb^2}{EJ}$$

$$= (3/4 b - 1/3 b - 1/8 b) Fb \frac{1}{EJ} + 1 \cdot 0 \cdot \frac{1}{4} \frac{Fb^2}{EJ} = 7/24 \frac{Fb^2}{EJ}$$

$$L_{BA}^{xo} = \int_0^b (2x/b - 5/2 x^2/b^2 + 1/2 x^3/b^3) Fb \frac{1}{EJ} dx + 1 \cdot 0 \cdot \frac{1}{4} \frac{Fb^2}{EJ}$$

$$= \left[x^2/b - 5/6 x^3/b^2 + 1/8 x^4/b^3 \right]_0^b Fb \frac{1}{EJ} + 1 \cdot 0 \cdot \frac{1}{4} \frac{Fb^2}{EJ}$$

$$= (b - 5/6 b + 1/8 b) Fb \frac{1}{EJ} + 1 \cdot 0 \cdot \frac{1}{4} \frac{Fb^2}{EJ} = 7/24 \frac{Fb^2}{EJ}$$

$$L_{AD}^{xo} = \int_0^{2b} (-3/4 x/b + 1/2 x^2/b^2) Fb \frac{1}{EJ} dx = \left[-3/8 x^2/b + 1/6 x^3/b^2 \right]_0^{2b} Fb \frac{1}{EJ}$$

$$= (-3/2 b + 4/3 b) Fb \frac{1}{EJ} = -1/6 \frac{Fb^2}{EJ}$$

$$L_{DA}^{xo} = \int_0^{2b} (1/2 - 5/4 x/b + 1/2 x^2/b^2) Fb \frac{1}{EJ} dx = \left[1/2 x - 5/8 x^2/b + 1/6 x^3/b^2 \right]_0^{2b} Fb \frac{1}{EJ}$$

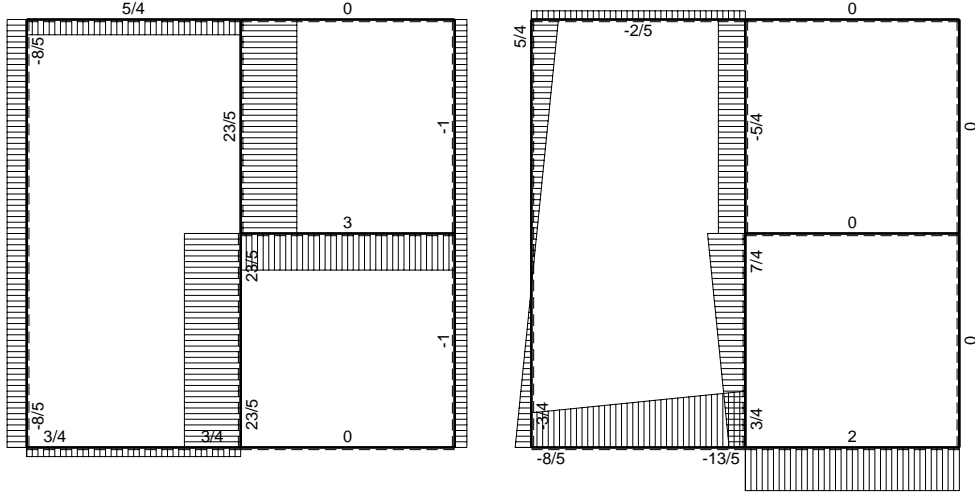
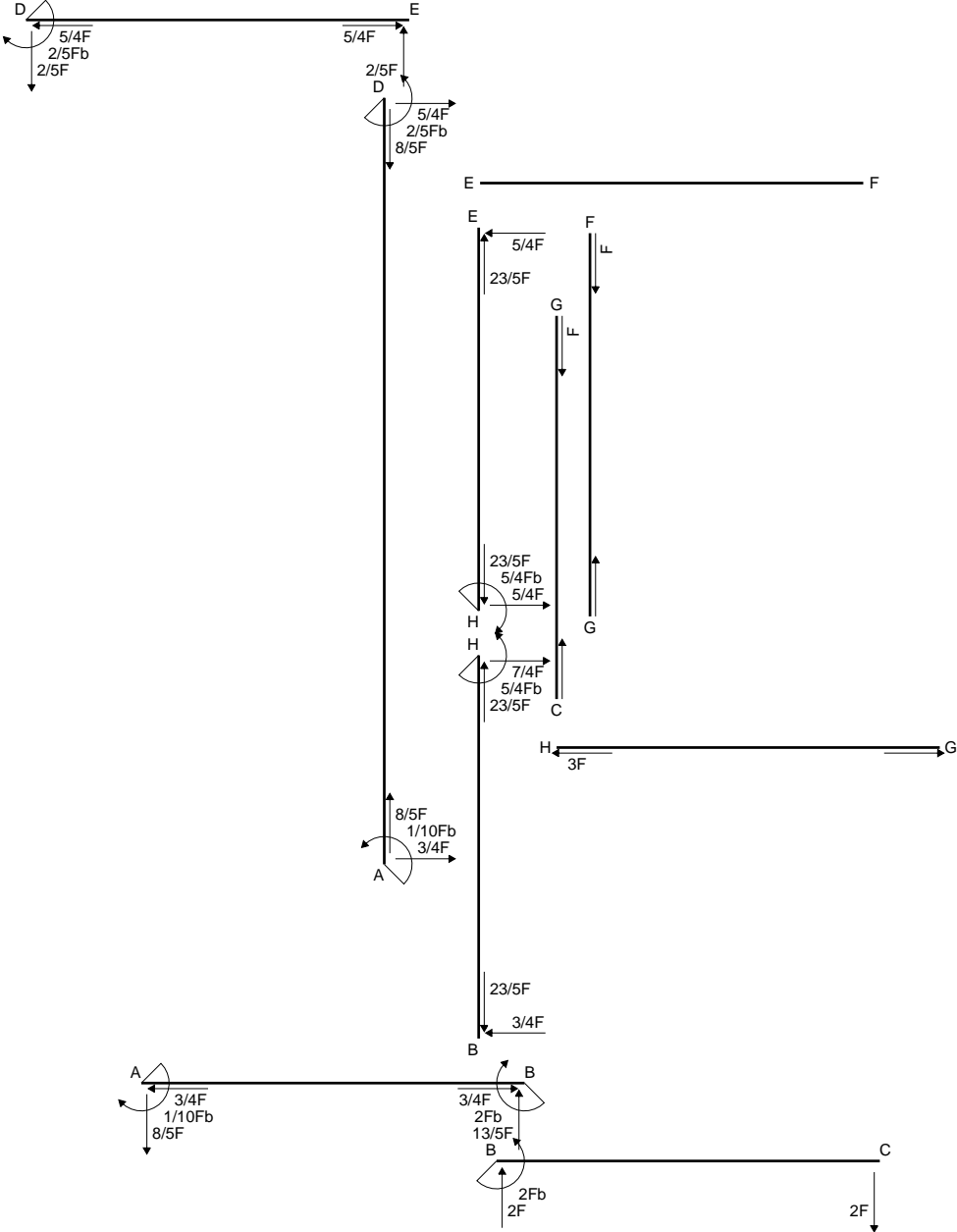
$$= (b - 5/2 b + 4/3 b) Fb \frac{1}{EJ} = -1/6 \frac{Fb^2}{EJ}$$

$$L_{DE}^{xo} = \int_0^b (1/2 - x/b + 1/2 x^2/b^2) Fb \frac{1}{EJ} dx = \left[1/2 x - 1/2 x^2/b + 1/6 x^3/b^2 \right]_0^b Fb \frac{1}{EJ}$$

$$= (1/2 b - 1/2 b + 1/6 b) Fb \frac{1}{EJ} = 1/6 \frac{Fb^2}{EJ}$$

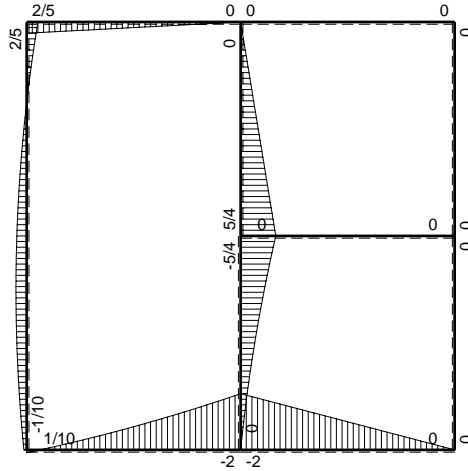
$$L_{ED}^{xo} = \int_0^b (1/2 x^2/b^2) Fb \frac{1}{EJ} dx = \left[1/6 x^3/b^2 \right]_0^b Fb \frac{1}{EJ}$$

$$= (1/6 b) Fb \frac{1}{EJ} = 1/6 \frac{Fb^2}{EJ}$$

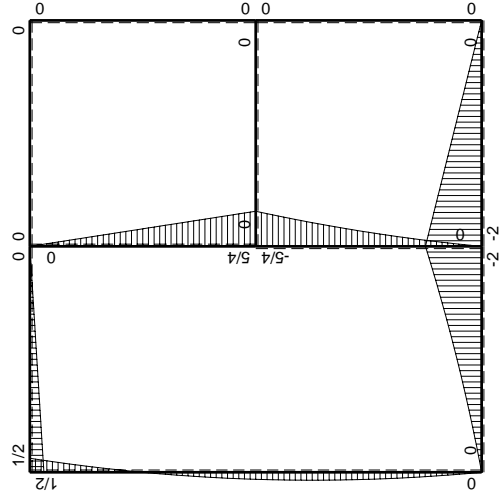
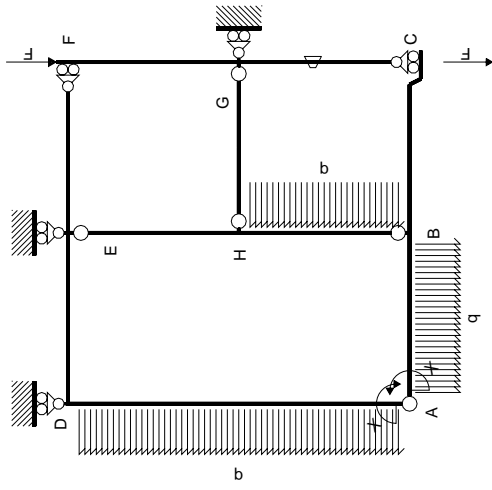


← + → F

↑ + ↓ F

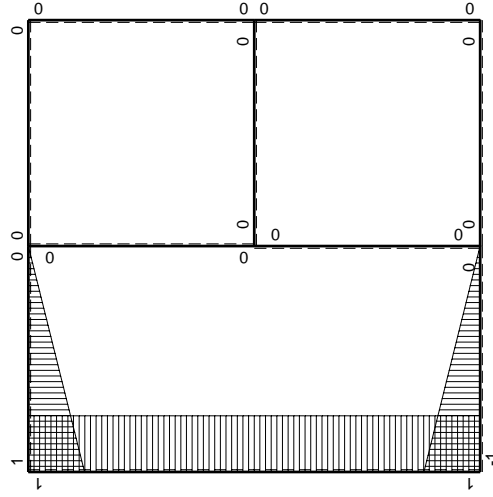


⊕ ⊖ Fb



Schema di calcolo iperstatico

M_0 flessione da carichi assegnati



M_x flessione da iperstatica X=1

Quadro contributi PLV per iperstatica $X=W_{AB}$

→	$M_x(x)$	$M_o(x)$	θ	$M_x M_o$	$M_x \theta$	$M_x M_x$	$\int M_x(M_o/EJ+\theta)dx$	$\int X M_x M_x/EJdx$	
AB b	$-1+x/b$	$-3/2Fx-1/2qx^2$	0	$3/2Fx-Fx^2/b-1/2qx^3/b$	0	$1-2x/b+x^2/b^2$	$(7/24+0)Fb^2/EJ$	$1/3Xb/EJ$	
BA b	x/b	$2Fb-5/2Fx+1/2qx^2$	0	$2Fx-5/2Fx^2/b+1/2qx^3/b$	0	x^2/b^2			
BC b	0	$-2Fb+2Fx$	0	0	0	0	0+0	0	
CB b	0	$2Fx$	0	0	0	0			
AD 2b	1	$-3/4Fx+1/2qx^2$	0	$-3/4Fx+1/2Fx^2/b$	0	1	$(-1/6+0)Fb^2/EJ$	$2Xb/EJ$	
DA 2b	-1	$-1/2Fb+5/4Fx-1/2qx^2$	0	$1/2Fb-5/4Fx+1/2Fx^2/b$	0	1			
DE b	$1-x/b$	$1/2Fb-1/2Fx$	0	$1/2Fb-Fx+1/2Fx^2/b$	0	$1-2x/b+x^2/b^2$	$(1/6+0)Fb^2/EJ$	$1/3Xb/EJ$	
ED b	$-x/b$	$-1/2Fx$	0	$1/2Fx^2/b$	0	x^2/b^2			
EF b	0	0	0	0	0	0	0+0	0	
FE b	0	0	0	0	0	0			
FG b	0	0	0	0	0	0	0+0	0	
GF b	0	0	0	0	0	0			
GC b	0	0	$-Fb/EJ$	0	0	0	0+0	0	
CG b	0	0	Fb/EJ	0	0	0			
HG b	0	0	0	0	0	0	0+0	0	
GH b	0	0	0	0	0	0			
HB b	0	$-5/4Fb+7/4Fx-1/2qx^2$	0	0	0	0	0+0	0	
BH b	0	$3/4Fx+1/2qx^2$	0	0	0	0			
HE b	0	$5/4Fb-5/4Fx$	0	0	0	0	0+0	0	
EH b	0	$-5/4Fx$	0	0	0	0			
AB	molla asta $-W_{1AB}(W_{0AB}+XW_{1AB})/k_{AB}$								$1/4Xb/EJ$
	totali							$7/24Fb^2/EJ$	$35/12Xb/EJ$
	iperstatica $X=W_{AB}$							$-1/10Fb$	

Sviluppi di calcolo iperstatica

$$L_{AB}^{xx} = \int_0^b (1 - 2x/b + x^2/b^2) \cdot 1/EJ \, dx + 1 \cdot 1/4 \cdot b/EJ = \left[x - x^2/b + 1/3 x^3/b^2 \right]_0^b \cdot 1/EJ + 1 \cdot 1/4 \cdot b/EJ$$

$$= (b - b + 1/3 b) \cdot 1/EJ + 1 \cdot 1/4 \cdot b/EJ = 7/12 \cdot b/EJ$$

$$L_{BA}^{xx} = \int_0^b (x^2/b^2) \cdot 1/EJ \, dx + 1 \cdot 1/4 \cdot b/EJ = \left[1/3 x^3/b^2 \right]_0^b \cdot 1/EJ + 1 \cdot 1/4 \cdot b/EJ$$

$$= (1/3 b) \cdot 1/EJ + 1 \cdot 1/4 \cdot b/EJ = 7/12 \cdot b/EJ$$

$$L_{AD}^{xx} = \int_0^{2b} (1) \cdot 1/EJ \, dx = \left[x \right]_0^{2b} \cdot 1/EJ$$

$$= (2b) \cdot 1/EJ = 2 \cdot b/EJ$$

$$L_{DA}^{xx} = \int_0^{2b} (1) \cdot 1/EJ \, dx = \left[x \right]_0^{2b} \cdot 1/EJ$$

$$= (2b) \cdot 1/EJ = 2 \cdot b/EJ$$

$$L_{DE}^{xx} = \int_0^b (1 - 2x/b + x^2/b^2) \cdot 1/EJ \, dx = \left[x - x^2/b + 1/3 x^3/b^2 \right]_0^b \cdot 1/EJ$$

$$= (b - b + 1/3 b) \cdot 1/EJ = 1/3 \cdot b/EJ$$

$$L_{ED}^{xx} = \int_0^b (x^2/b^2) \cdot 1/EJ \, dx = \left[1/3 x^3/b^2 \right]_0^b \cdot 1/EJ$$

$$= (1/3 b) \cdot 1/EJ = 1/3 \cdot b/EJ$$

$$L_{AB}^{xo} = \int_0^b (3/2 x/b - x^2/b^2 - 1/2 x^3/b^3) \cdot Fb \cdot 1/EJ \, dx + 1 \cdot 0 \cdot 1/4 \cdot Fb^2/EJ$$

$$= \left[3/4 x^2/b - 1/3 x^3/b^2 - 1/8 x^4/b^3 \right]_0^b \cdot Fb \cdot 1/EJ + 1 \cdot 0 \cdot 1/4 \cdot Fb^2/EJ$$

$$= (3/4 b - 1/3 b - 1/8 b) \cdot Fb \cdot 1/EJ + 1 \cdot 0 \cdot 1/4 \cdot Fb^2/EJ = 7/24 \cdot Fb^2/EJ$$

$$L_{BA}^{xo} = \int_0^b (2x/b - 5/2 x^2/b^2 + 1/2 x^3/b^3) \cdot Fb \cdot 1/EJ \, dx + 1 \cdot 0 \cdot 1/4 \cdot Fb^2/EJ$$

$$= \left[x^2/b - 5/6 x^3/b^2 + 1/8 x^4/b^3 \right]_0^b \cdot Fb \cdot 1/EJ + 1 \cdot 0 \cdot 1/4 \cdot Fb^2/EJ$$

$$= (b - 5/6 b + 1/8 b) \cdot Fb \cdot 1/EJ + 1 \cdot 0 \cdot 1/4 \cdot Fb^2/EJ = 7/24 \cdot Fb^2/EJ$$

$$L_{AD}^{xo} = \int_0^{2b} (-3/4 x/b + 1/2 x^2/b^2) \cdot Fb \cdot 1/EJ \, dx = \left[-3/8 x^2/b + 1/6 x^3/b^2 \right]_0^{2b} \cdot Fb \cdot 1/EJ$$

$$= (-3/2 b + 4/3 b) \cdot Fb \cdot 1/EJ = -1/6 \cdot Fb^2/EJ$$

$$L_{DA}^{xo} = \int_0^{2b} (1/2 - 5/4 x/b + 1/2 x^2/b^2) \cdot Fb \cdot 1/EJ \, dx = \left[1/2 x - 5/8 x^2/b + 1/6 x^3/b^2 \right]_0^{2b} \cdot Fb \cdot 1/EJ$$

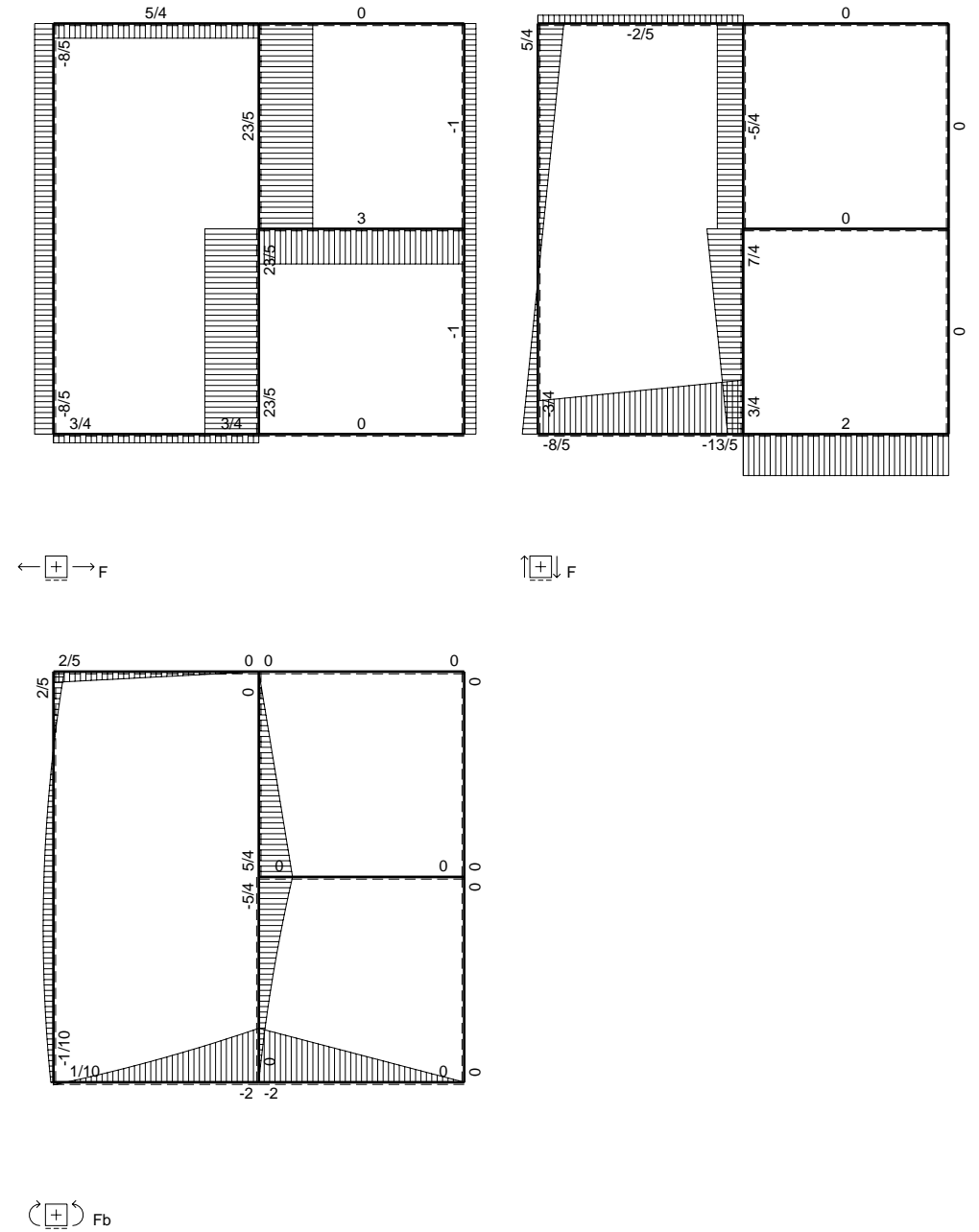
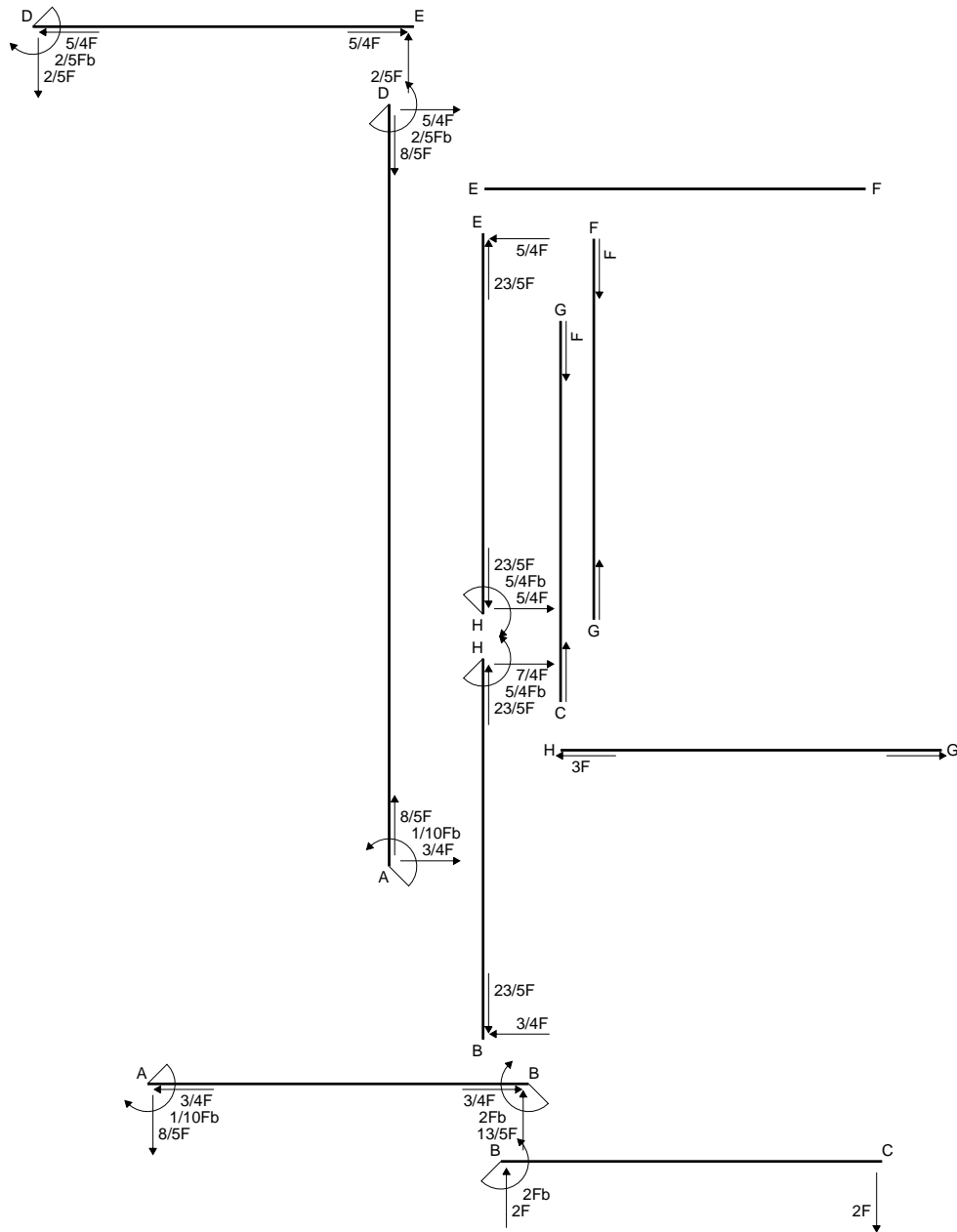
$$= (b - 5/2 b + 4/3 b) \cdot Fb \cdot 1/EJ = -1/6 \cdot Fb^2/EJ$$

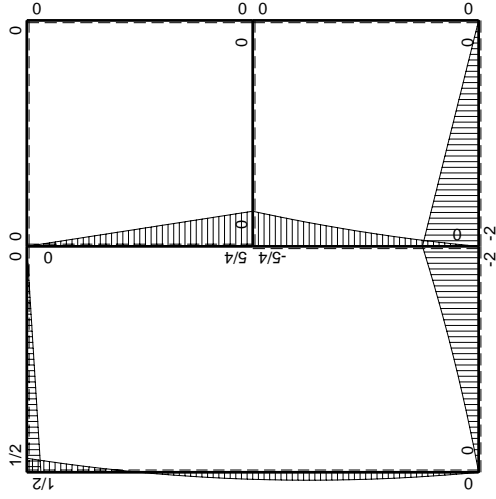
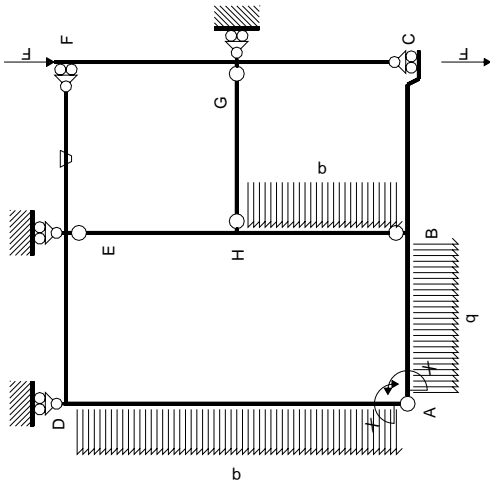
$$L_{DE}^{xo} = \int_0^b (1/2 - x/b + 1/2 x^2/b^2) \cdot Fb \cdot 1/EJ \, dx = \left[1/2 x - 1/2 x^2/b + 1/6 x^3/b^2 \right]_0^b \cdot Fb \cdot 1/EJ$$

$$= (1/2 b - 1/2 b + 1/6 b) \cdot Fb \cdot 1/EJ = 1/6 \cdot Fb^2/EJ$$

$$L_{ED}^{xo} = \int_0^b (1/2 x^2/b^2) \cdot Fb \cdot 1/EJ \, dx = \left[1/6 x^3/b^2 \right]_0^b \cdot Fb \cdot 1/EJ$$

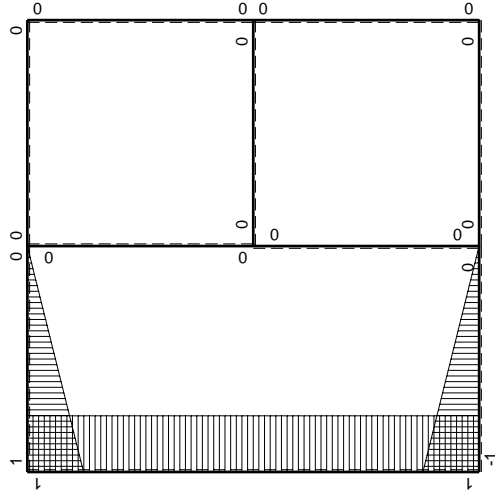
$$= (1/6 b) \cdot Fb \cdot 1/EJ = 1/6 \cdot Fb^2/EJ$$





Schema di calcolo iperstatico

M_0 flessione da carichi assegnati



M_x flessione da iperstatica $X=1$

Quadro contributi PLV per iperstatica $X=W_{AB}$

→	$M_x(x)$	$M_o(x)$	θ	$M_x M_o$	$M_x \theta$	$M_x M_x$	$\int M_x(M_o/EJ+\theta)dx$	$\int X M_x M_x/EJdx$
AB b	$-1+x/b$	$-3/2Fx-1/2qx^2$	0	$3/2Fx-Fx^2/b-1/2qx^3/b$	0	$1-2x/b+x^2/b^2$	$(7/24+0)Fb^2/EJ$	$1/3Xb/EJ$
BA b	x/b	$2Fb-5/2Fx+1/2qx^2$	0	$2Fx-5/2Fx^2/b+1/2qx^3/b$	0	x^2/b^2		
BC b	0	$-2Fb+2Fx$	0	0	0	0	0+0	0
CB b	0	$2Fx$	0	0	0	0		
AD 2b	1	$-3/4Fx+1/2qx^2$	0	$-3/4Fx+1/2Fx^2/b$	0	1	$(-1/6+0)Fb^2/EJ$	$2Xb/EJ$
DA 2b	-1	$-1/2Fb+5/4Fx-1/2qx^2$	0	$1/2Fb-5/4Fx+1/2Fx^2/b$	0	1		
DE b	$1-x/b$	$1/2Fb-1/2Fx$	0	$1/2Fb-Fx+1/2Fx^2/b$	0	$1-2x/b+x^2/b^2$	$(1/6+0)Fb^2/EJ$	$1/3Xb/EJ$
ED b	$-x/b$	$-1/2Fx$	0	$1/2Fx^2/b$	0	x^2/b^2		
EF b	0	0	$-Fb/EJ$	0	0	0	0+0	0
FE b	0	0	Fb/EJ	0	0	0		
FG b	0	0	0	0	0	0	0+0	0
GF b	0	0	0	0	0	0		
GC b	0	0	0	0	0	0	0+0	0
CG b	0	0	0	0	0	0		
HG b	0	0	0	0	0	0	0+0	0
GH b	0	0	0	0	0	0		
HB b	0	$-5/4Fb+7/4Fx-1/2qx^2$	0	0	0	0	0+0	0
BH b	0	$3/4Fx+1/2qx^2$	0	0	0	0		
HE b	0	$5/4Fb-5/4Fx$	0	0	0	0	0+0	0
EH b	0	$-5/4Fx$	0	0	0	0		
AB	molla asta $-W_{1AB}(W_{0AB}+XW_{1AB})/k_{AB}$							$1/4Xb/EJ$
	totali						$7/24Fb^2/EJ$	$35/12Xb/EJ$
	iperstatica $X=W_{AB}$						$-1/10Fb$	

Sviluppi di calcolo iperstatica

$$L_{AB}^{xx} = \int_0^b (1 - 2x/b + x^2/b^2) \frac{1}{EJ} dx + 1 \cdot \frac{1}{4} \frac{b}{EJ} = \left[x - x^2/b + 1/3 x^3/b^2 \right]_0^b \frac{1}{EJ} + 1 \cdot \frac{1}{4} \frac{b}{EJ}$$

$$= (b - b + 1/3 b) \frac{1}{EJ} + 1 \cdot \frac{1}{4} \frac{b}{EJ} = 7/12 \frac{b}{EJ}$$

$$L_{BA}^{xx} = \int_0^b (x^2/b^2) \frac{1}{EJ} dx + 1 \cdot \frac{1}{4} \frac{b}{EJ} = \left[1/3 x^3/b^2 \right]_0^b \frac{1}{EJ} + 1 \cdot \frac{1}{4} \frac{b}{EJ}$$

$$= (1/3 b) \frac{1}{EJ} + 1 \cdot \frac{1}{4} \frac{b}{EJ} = 7/12 \frac{b}{EJ}$$

$$L_{AD}^{xx} = \int_0^{2b} (1) \frac{1}{EJ} dx = \left[x \right]_0^{2b} \frac{1}{EJ}$$

$$= (2b) \frac{1}{EJ} = 2 \frac{b}{EJ}$$

$$L_{DA}^{xx} = \int_0^{2b} (1) \frac{1}{EJ} dx = \left[x \right]_0^{2b} \frac{1}{EJ}$$

$$= (2b) \frac{1}{EJ} = 2 \frac{b}{EJ}$$

$$L_{DE}^{xx} = \int_0^b (1 - 2x/b + x^2/b^2) \frac{1}{EJ} dx = \left[x - x^2/b + 1/3 x^3/b^2 \right]_0^b \frac{1}{EJ}$$

$$= (b - b + 1/3 b) \frac{1}{EJ} = 1/3 \frac{b}{EJ}$$

$$L_{ED}^{xx} = \int_0^b (x^2/b^2) \frac{1}{EJ} dx = \left[1/3 x^3/b^2 \right]_0^b \frac{1}{EJ}$$

$$= (1/3 b) \frac{1}{EJ} = 1/3 \frac{b}{EJ}$$

$$L_{AB}^{xo} = \int_0^b (3/2 x/b - x^2/b^2 - 1/2 x^3/b^3) Fb \frac{1}{EJ} dx + 1 \cdot 0 \cdot \frac{1}{4} \frac{Fb^2}{EJ}$$

$$= \left[3/4 x^2/b - 1/3 x^3/b^2 - 1/8 x^4/b^3 \right]_0^b Fb \frac{1}{EJ} + 1 \cdot 0 \cdot \frac{1}{4} \frac{Fb^2}{EJ}$$

$$= (3/4 b - 1/3 b - 1/8 b) Fb \frac{1}{EJ} + 1 \cdot 0 \cdot \frac{1}{4} \frac{Fb^2}{EJ} = 7/24 \frac{Fb^2}{EJ}$$

$$L_{BA}^{xo} = \int_0^b (2x/b - 5/2 x^2/b^2 + 1/2 x^3/b^3) Fb \frac{1}{EJ} dx + 1 \cdot 0 \cdot \frac{1}{4} \frac{Fb^2}{EJ}$$

$$= \left[x^2/b - 5/6 x^3/b^2 + 1/8 x^4/b^3 \right]_0^b Fb \frac{1}{EJ} + 1 \cdot 0 \cdot \frac{1}{4} \frac{Fb^2}{EJ}$$

$$= (b - 5/6 b + 1/8 b) Fb \frac{1}{EJ} + 1 \cdot 0 \cdot \frac{1}{4} \frac{Fb^2}{EJ} = 7/24 \frac{Fb^2}{EJ}$$

$$L_{AD}^{xo} = \int_0^{2b} (-3/4 x/b + 1/2 x^2/b^2) Fb \frac{1}{EJ} dx = \left[-3/8 x^2/b + 1/6 x^3/b^2 \right]_0^{2b} Fb \frac{1}{EJ}$$

$$= (-3/2 b + 4/3 b) Fb \frac{1}{EJ} = -1/6 \frac{Fb^2}{EJ}$$

$$L_{DA}^{xo} = \int_0^{2b} (1/2 - 5/4 x/b + 1/2 x^2/b^2) Fb \frac{1}{EJ} dx = \left[1/2 x - 5/8 x^2/b + 1/6 x^3/b^2 \right]_0^{2b} Fb \frac{1}{EJ}$$

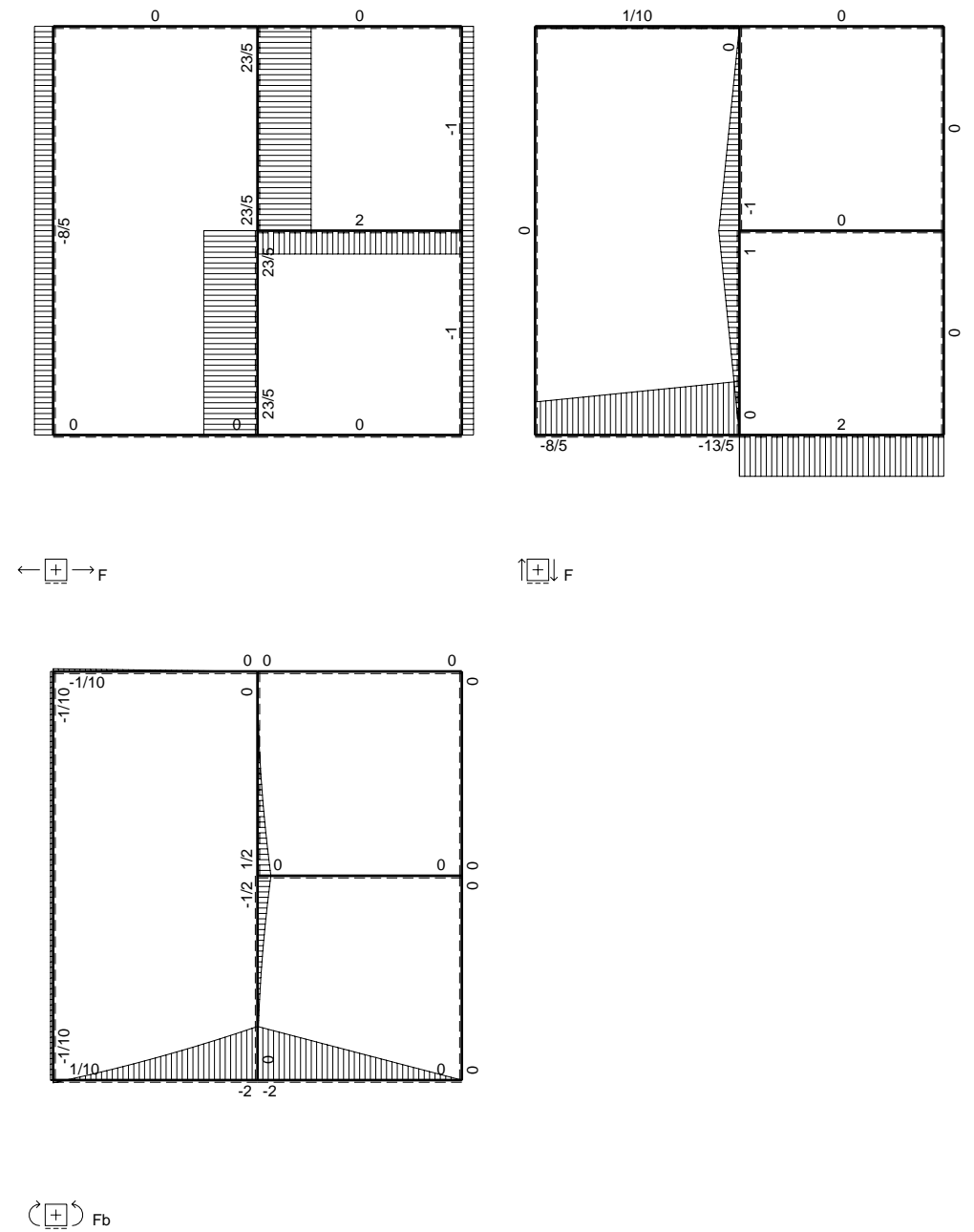
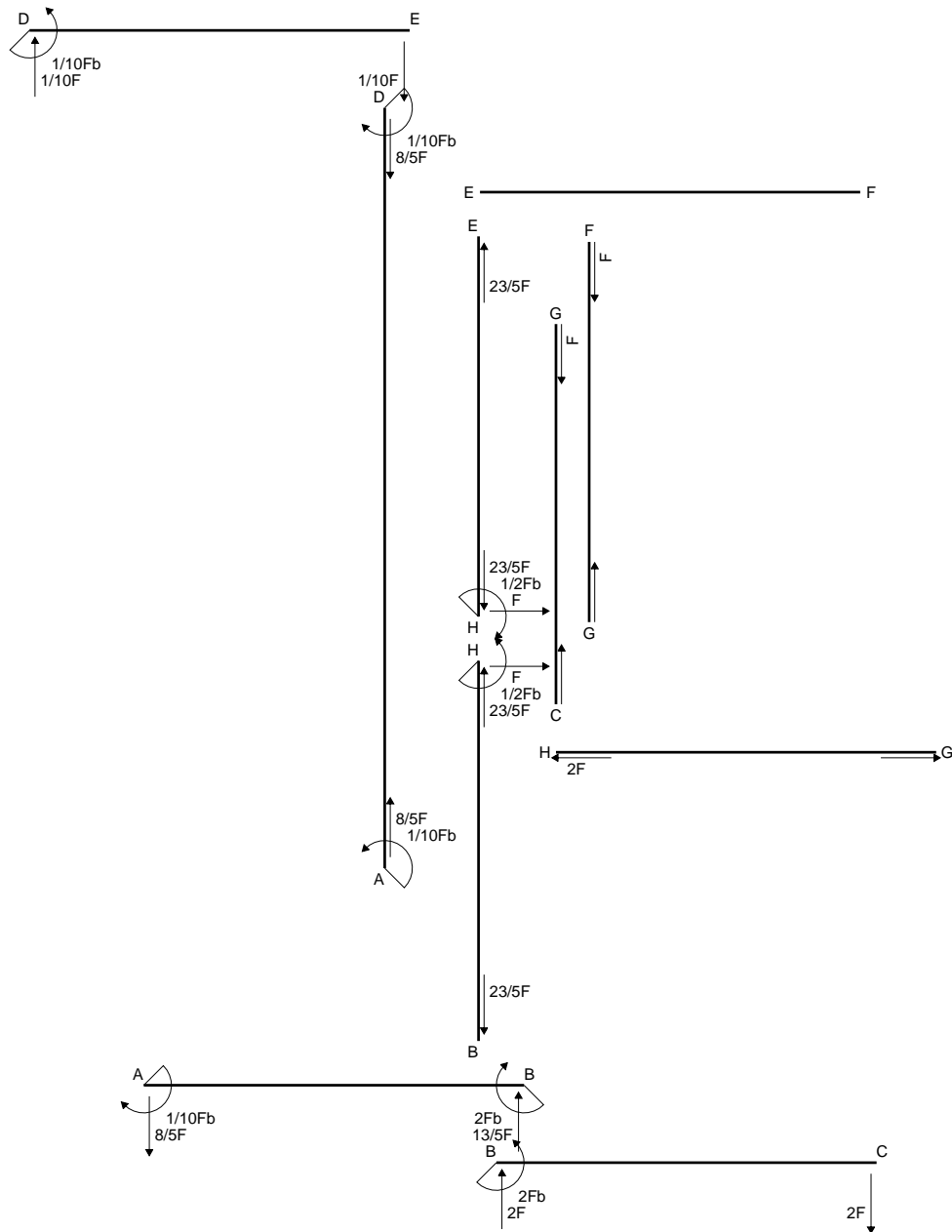
$$= (b - 5/2 b + 4/3 b) Fb \frac{1}{EJ} = -1/6 \frac{Fb^2}{EJ}$$

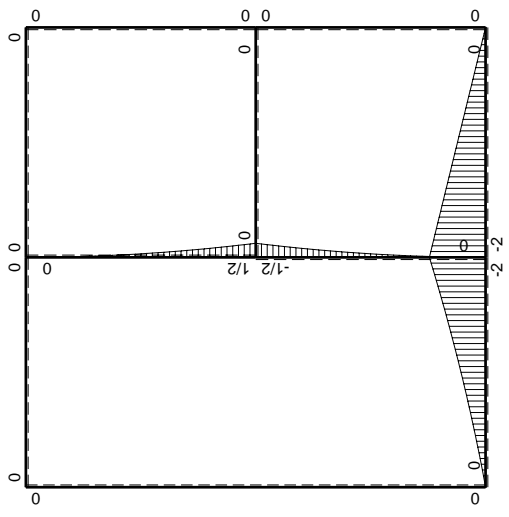
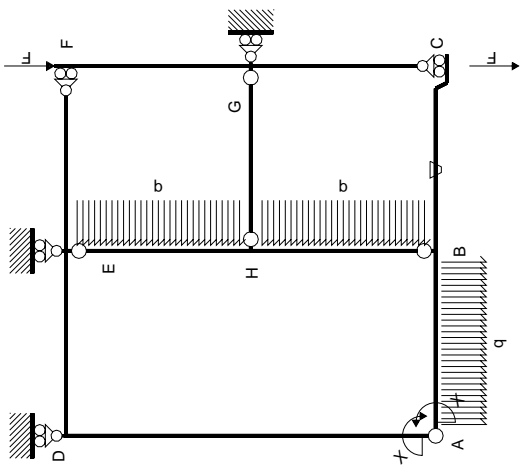
$$L_{DE}^{xo} = \int_0^b (1/2 - x/b + 1/2 x^2/b^2) Fb \frac{1}{EJ} dx = \left[1/2 x - 1/2 x^2/b + 1/6 x^3/b^2 \right]_0^b Fb \frac{1}{EJ}$$

$$= (1/2 b - 1/2 b + 1/6 b) Fb \frac{1}{EJ} = 1/6 \frac{Fb^2}{EJ}$$

$$L_{ED}^{xo} = \int_0^b (1/2 x^2/b^2) Fb \frac{1}{EJ} dx = \left[1/6 x^3/b^2 \right]_0^b Fb \frac{1}{EJ}$$

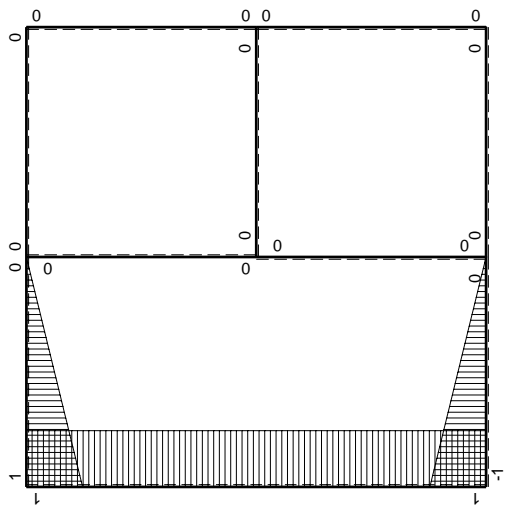
$$= (1/6 b) Fb \frac{1}{EJ} = 1/6 \frac{Fb^2}{EJ}$$





Schema di calcolo iperstatico

M_0 flessione da carichi assegnati



M_1 flessione da iperstatica X=1

Quadro contributi PLV per iperstatica $X=W_{AB}$

→	$M_x(x)$	$M_o(x)$	θ	$M_x M_o$	$M_x \theta$	$M_x M_x$	$\int M_x(M_o/EJ+\theta)dx$	$\int X M_x M_x/EJ dx$	
AB b	$-1+x/b$	$-3/2Fx-1/2qx^2$	0	$3/2Fx-Fx^2/b-1/2qx^3/b$	0	$1-2x/b+x^2/b^2$	$(7/24+0)Fb^2/EJ$	$1/3Xb/EJ$	
BA b	x/b	$2Fb-5/2Fx+1/2qx^2$	0	$2Fx-5/2Fx^2/b+1/2qx^3/b$	0	x^2/b^2			
BC b	0	$-2Fb+2Fx$	$-Fb/EJ$	0	0	0	0+0	0	
CB b	0	$2Fx$	Fb/EJ	0	0	0			
AD 2b	1	0	0	0	0	1	0+0	$2Xb/EJ$	
DA 2b	-1	0	0	0	0	1			
DE b	$1-x/b$	0	0	0	0	$1-2x/b+x^2/b^2$	0+0	$1/3Xb/EJ$	
ED b	$-x/b$	0	0	0	0	x^2/b^2			
EF b	0	0	0	0	0	0	0+0	0	
FE b	0	0	0	0	0	0			
FG b	0	0	0	0	0	0	0+0	0	
GF b	0	0	0	0	0	0			
GC b	0	0	0	0	0	0	0+0	0	
CG b	0	0	0	0	0	0			
HG b	0	0	0	0	0	0	0+0	0	
GH b	0	0	0	0	0	0			
HB b	0	$-1/2Fb+Fx-1/2qx^2$	0	0	0	0	0+0	0	
BH b	0	$1/2qx^2$	0	0	0	0			
HE b	0	$1/2Fb-Fx+1/2qx^2$	0	0	0	0	0+0	0	
EH b	0	$-1/2qx^2$	0	0	0	0			
AB	molla asta $-W_{1AB}(W_{0AB}+XW_{1AB})/k_{AB}$								$1/4Xb/EJ$
	totali							$7/24Fb^2/EJ$	$35/12Xb/EJ$
	iperstatica $X=W_{AB}$							$-1/10Fb$	

Sviluppi di calcolo iperstatica

$$L_{AB}^{xx} = \int_0^b (1 - 2x/b + x^2/b^2) \cdot 1/EJ \, dx + 1 \cdot 1/4 \cdot b/EJ = \left[x - x^2/b + 1/3 x^3/b^2 \right]_0^b \cdot 1/EJ + 1 \cdot 1/4 \cdot b/EJ$$

$$= (b - b + 1/3 b) \cdot 1/EJ + 1 \cdot 1/4 \cdot b/EJ = 7/12 \cdot b/EJ$$

$$L_{BA}^{xx} = \int_0^b (x^2/b^2) \cdot 1/EJ \, dx + 1 \cdot 1/4 \cdot b/EJ = \left[1/3 x^3/b^2 \right]_0^b \cdot 1/EJ + 1 \cdot 1/4 \cdot b/EJ$$

$$= (1/3 b) \cdot 1/EJ + 1 \cdot 1/4 \cdot b/EJ = 7/12 \cdot b/EJ$$

$$L_{AD}^{xx} = \int_0^{2b} (1) \cdot 1/EJ \, dx = \left[x \right]_0^{2b} \cdot 1/EJ$$

$$= (2b) \cdot 1/EJ = 2 \cdot b/EJ$$

$$L_{DA}^{xx} = \int_0^{2b} (1) \cdot 1/EJ \, dx = \left[x \right]_0^{2b} \cdot 1/EJ$$

$$= (2b) \cdot 1/EJ = 2 \cdot b/EJ$$

$$L_{DE}^{xx} = \int_0^b (1 - 2x/b + x^2/b^2) \cdot 1/EJ \, dx = \left[x - x^2/b + 1/3 x^3/b^2 \right]_0^b \cdot 1/EJ$$

$$= (b - b + 1/3 b) \cdot 1/EJ = 1/3 \cdot b/EJ$$

$$L_{ED}^{xx} = \int_0^b (x^2/b^2) \cdot 1/EJ \, dx = \left[1/3 x^3/b^2 \right]_0^b \cdot 1/EJ$$

$$= (1/3 b) \cdot 1/EJ = 1/3 \cdot b/EJ$$

$$L_{AB}^{xo} = \int_0^b (3/2 x/b - x^2/b^2 - 1/2 x^3/b^3) \cdot Fb \cdot 1/EJ \, dx + 1 \cdot 0 \cdot 1/4 \cdot Fb^2/EJ$$

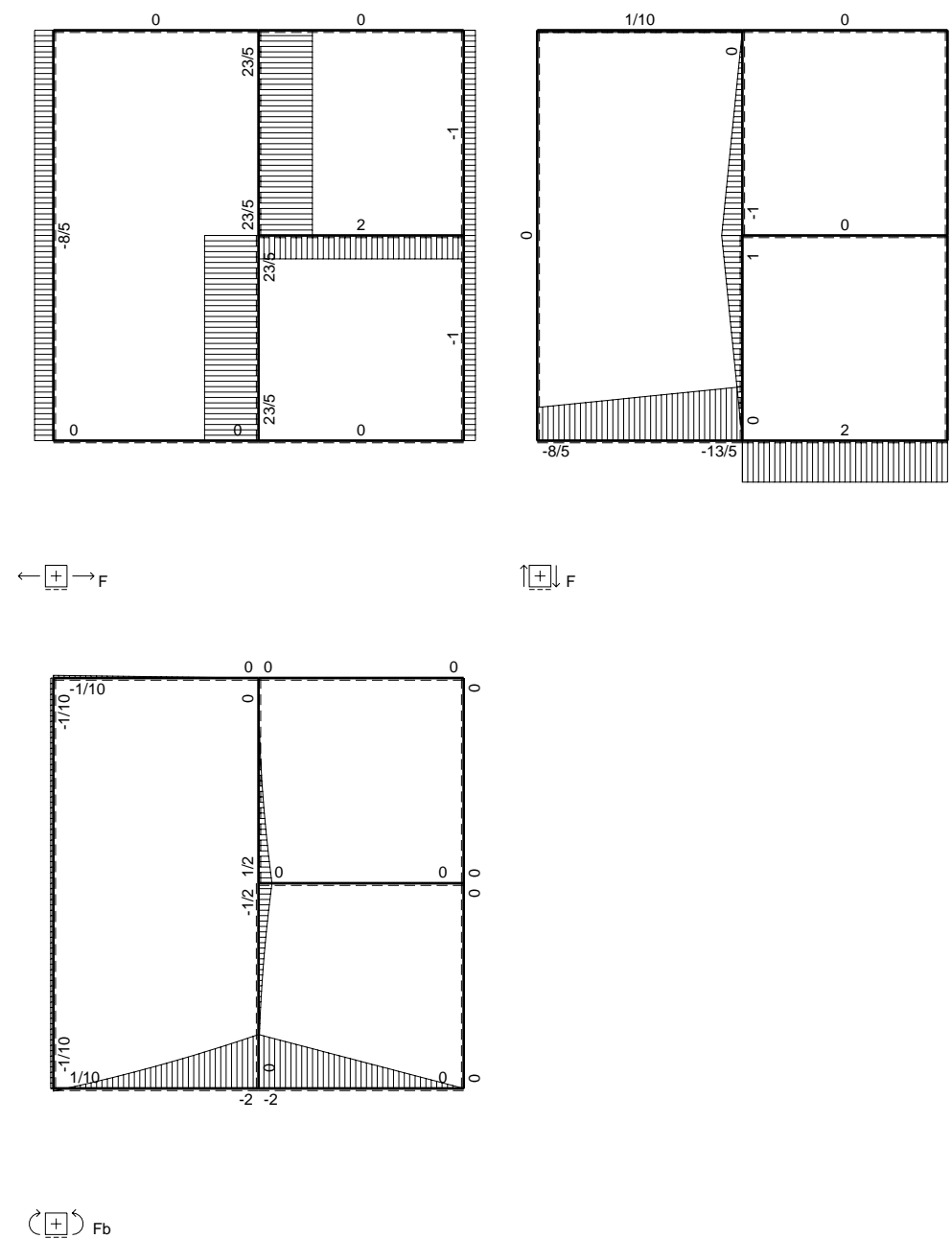
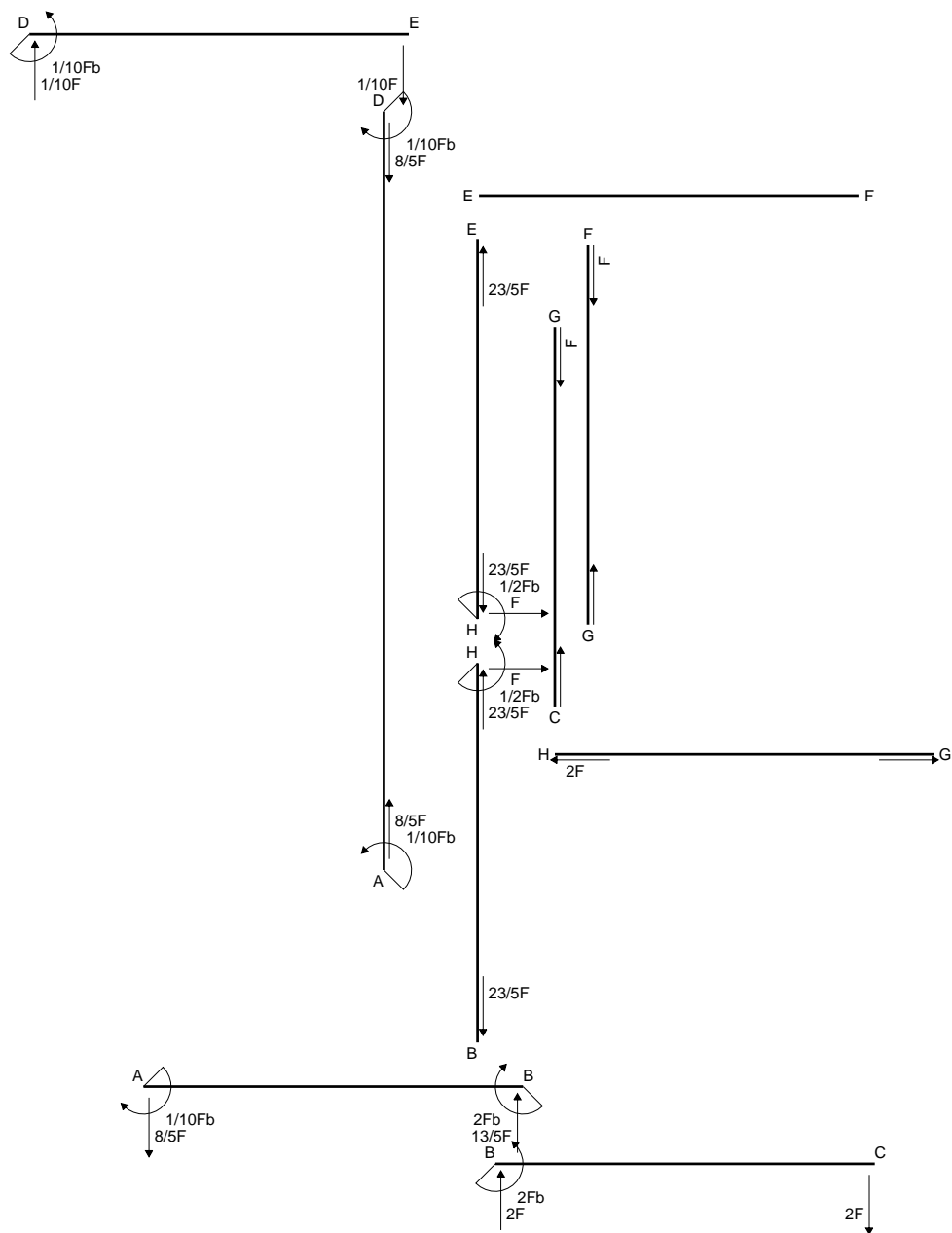
$$= \left[3/4 x^2/b - 1/3 x^3/b^2 - 1/8 x^4/b^3 \right]_0^b \cdot Fb \cdot 1/EJ + 1 \cdot 0 \cdot 1/4 \cdot Fb^2/EJ$$

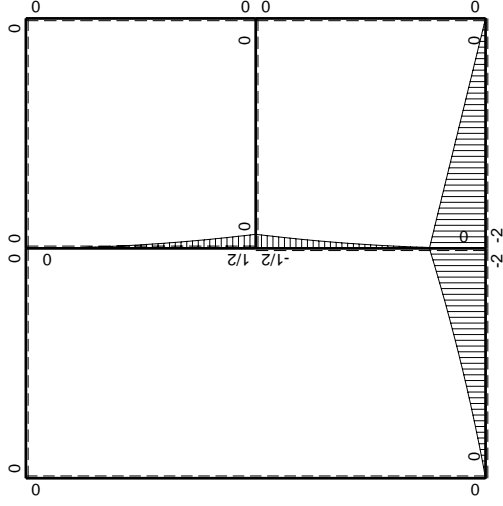
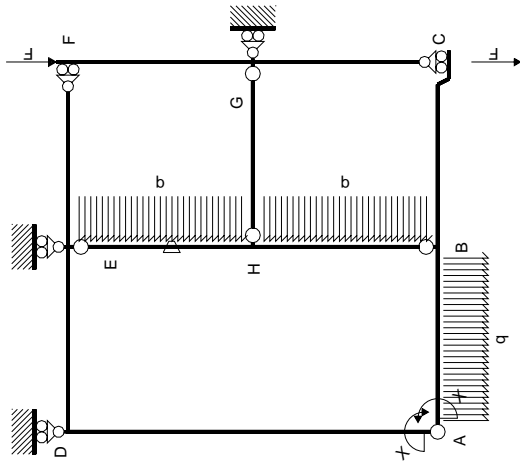
$$= (3/4 b - 1/3 b - 1/8 b) \cdot Fb \cdot 1/EJ + 1 \cdot 0 \cdot 1/4 \cdot Fb^2/EJ = 7/24 \cdot Fb^2/EJ$$

$$L_{BA}^{xo} = \int_0^b (2x/b - 5/2 x^2/b^2 + 1/2 x^3/b^3) \cdot Fb \cdot 1/EJ \, dx + 1 \cdot 0 \cdot 1/4 \cdot Fb^2/EJ$$

$$= \left[x^2/b - 5/6 x^3/b^2 + 1/8 x^4/b^3 \right]_0^b \cdot Fb \cdot 1/EJ + 1 \cdot 0 \cdot 1/4 \cdot Fb^2/EJ$$

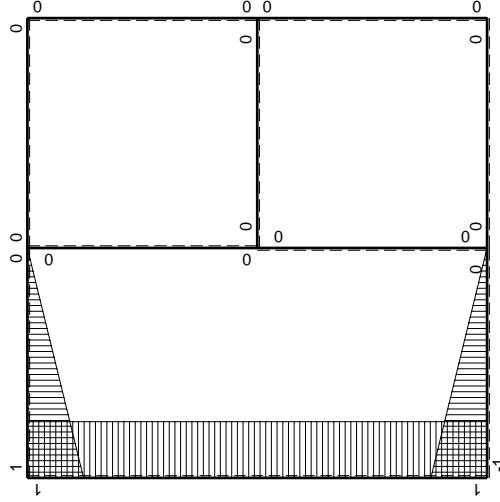
$$= (b - 5/6 b + 1/8 b) \cdot Fb \cdot 1/EJ + 1 \cdot 0 \cdot 1/4 \cdot Fb^2/EJ = 7/24 \cdot Fb^2/EJ$$





Schema di calcolo iperstatico

M_0 flessione da carichi assegnati



M_x flessione da iperstatica $X=1$

Quadro contributi PLV per iperstatica $X=W_{AB}$

→	$M_x(x)$	$M_o(x)$	θ	$M_x M_o$	$M_x \theta$	$M_x M_x$	$\int M_x(M_o/EJ+\theta)dx$	$\int X M_x M_x/EJ dx$	
AB b	$-1+x/b$	$-3/2Fx-1/2qx^2$	0	$3/2Fx-Fx^2/b-1/2qx^3/b$	0	$1-2x/b+x^2/b^2$	$(7/24+0)Fb^2/EJ$	$1/3Xb/EJ$	
BA b	x/b	$2Fb-5/2Fx+1/2qx^2$	0	$2Fx-5/2Fx^2/b+1/2qx^3/b$	0	x^2/b^2			
BC b	0	$-2Fb+2Fx$	0	0	0	0	0+0	0	
CB b	0	$2Fx$	0	0	0	0			
AD 2b	1	0	0	0	0	1	0+0	$2Xb/EJ$	
DA 2b	-1	0	0	0	0	1			
DE b	$1-x/b$	0	0	0	0	$1-2x/b+x^2/b^2$	0+0	$1/3Xb/EJ$	
ED b	$-x/b$	0	0	0	0	x^2/b^2			
EF b	0	0	0	0	0	0	0+0	0	
FE b	0	0	0	0	0	0			
FG b	0	0	0	0	0	0	0+0	0	
GF b	0	0	0	0	0	0			
GC b	0	0	0	0	0	0	0+0	0	
CG b	0	0	0	0	0	0			
HG b	0	0	0	0	0	0	0+0	0	
GH b	0	0	0	0	0	0			
HB b	0	$-1/2Fb+Fx-1/2qx^2$	0	0	0	0	0+0	0	
BH b	0	$1/2qx^2$	0	0	0	0			
HE b	0	$1/2Fb-Fx+1/2qx^2$	$-Fb/EJ$	0	0	0	0+0	0	
EH b	0	$-1/2qx^2$	Fb/EJ	0	0	0			
AB	molla asta $-W_{1AB}(W_{0AB}+XW_{1AB})/k_{AB}$								$1/4Xb/EJ$
	totali							$7/24Fb^2/EJ$	$35/12Xb/EJ$
	iperstatica $X=W_{AB}$							$-1/10Fb$	

Sviluppi di calcolo iperstatica

$$L_{AB}^{xx} = \int_0^b (1 - 2x/b + x^2/b^2) \cdot 1/EJ \, dx + 1 \cdot 1/4 \cdot b/EJ = \left[x - x^2/b + 1/3 x^3/b^2 \right]_0^b \cdot 1/EJ + 1 \cdot 1/4 \cdot b/EJ$$

$$= (b - b + 1/3 b) \cdot 1/EJ + 1 \cdot 1/4 \cdot b/EJ = 7/12 \cdot b/EJ$$

$$L_{BA}^{xx} = \int_0^b (x^2/b^2) \cdot 1/EJ \, dx + 1 \cdot 1/4 \cdot b/EJ = \left[1/3 x^3/b^2 \right]_0^b \cdot 1/EJ + 1 \cdot 1/4 \cdot b/EJ$$

$$= (1/3 b) \cdot 1/EJ + 1 \cdot 1/4 \cdot b/EJ = 7/12 \cdot b/EJ$$

$$L_{AD}^{xx} = \int_0^{2b} (1) \cdot 1/EJ \, dx = \left[x \right]_0^{2b} \cdot 1/EJ$$

$$= (2b) \cdot 1/EJ = 2 \cdot b/EJ$$

$$L_{DA}^{xx} = \int_0^{2b} (1) \cdot 1/EJ \, dx = \left[x \right]_0^{2b} \cdot 1/EJ$$

$$= (2b) \cdot 1/EJ = 2 \cdot b/EJ$$

$$L_{DE}^{xx} = \int_0^b (1 - 2x/b + x^2/b^2) \cdot 1/EJ \, dx = \left[x - x^2/b + 1/3 x^3/b^2 \right]_0^b \cdot 1/EJ$$

$$= (b - b + 1/3 b) \cdot 1/EJ = 1/3 \cdot b/EJ$$

$$L_{ED}^{xx} = \int_0^b (x^2/b^2) \cdot 1/EJ \, dx = \left[1/3 x^3/b^2 \right]_0^b \cdot 1/EJ$$

$$= (1/3 b) \cdot 1/EJ = 1/3 \cdot b/EJ$$

$$L_{AB}^{xo} = \int_0^b (3/2 x/b - x^2/b^2 - 1/2 x^3/b^3) \cdot Fb \cdot 1/EJ \, dx + 1 \cdot 0 \cdot 1/4 \cdot Fb^2/EJ$$

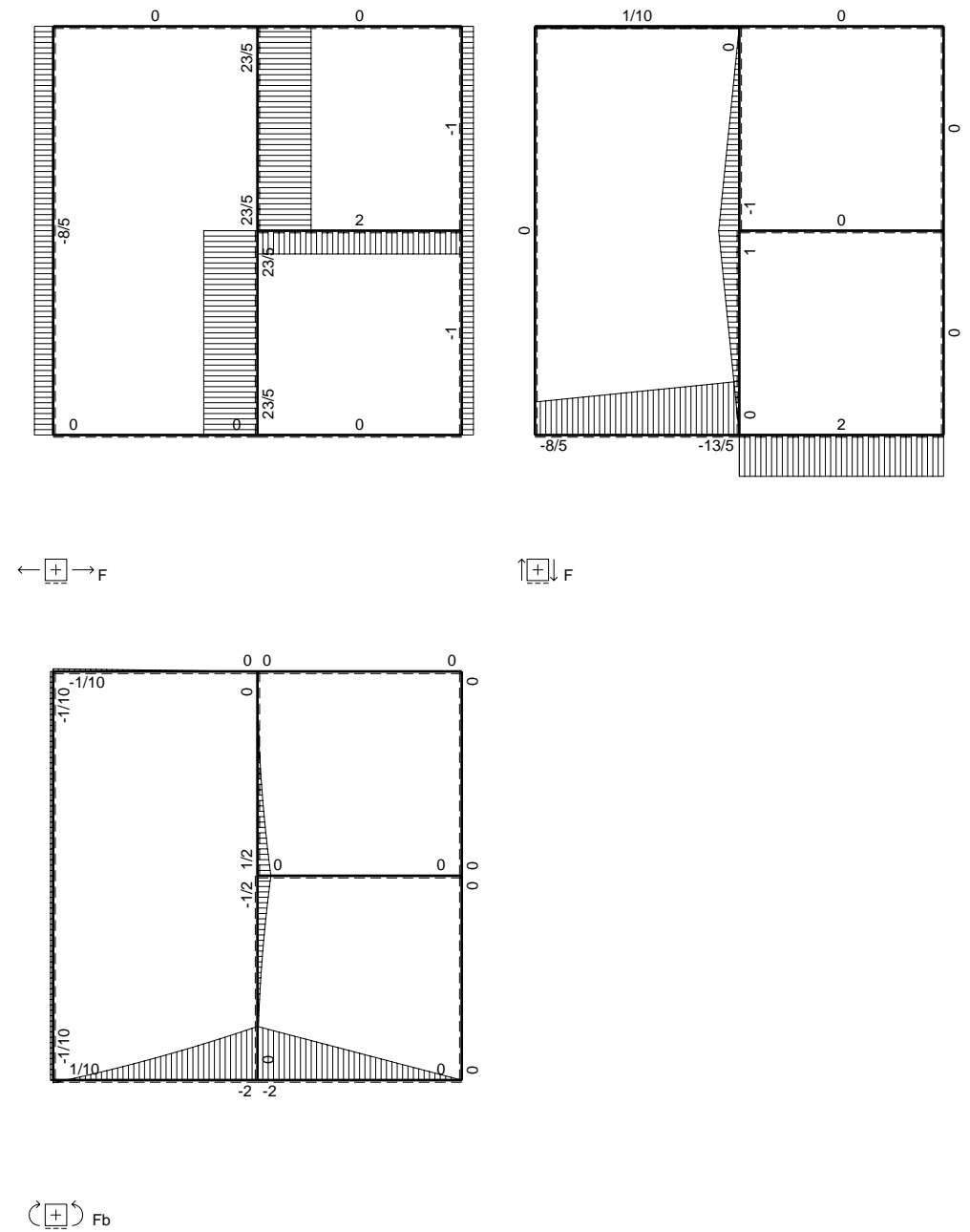
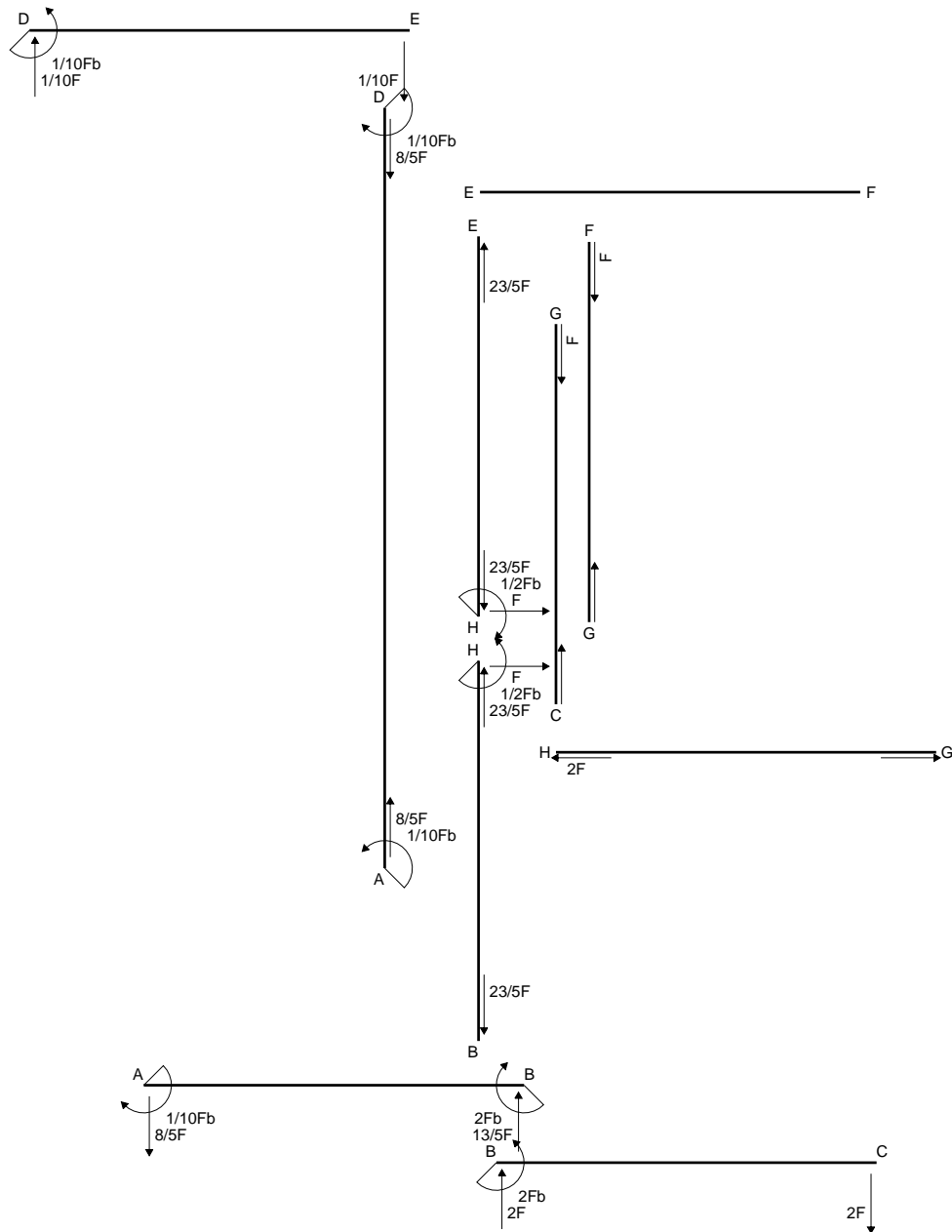
$$= \left[3/4 x^2/b - 1/3 x^3/b^2 - 1/8 x^4/b^3 \right]_0^b \cdot Fb \cdot 1/EJ + 1 \cdot 0 \cdot 1/4 \cdot Fb^2/EJ$$

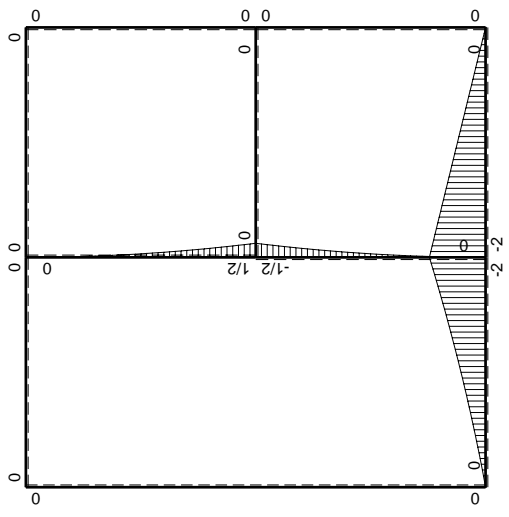
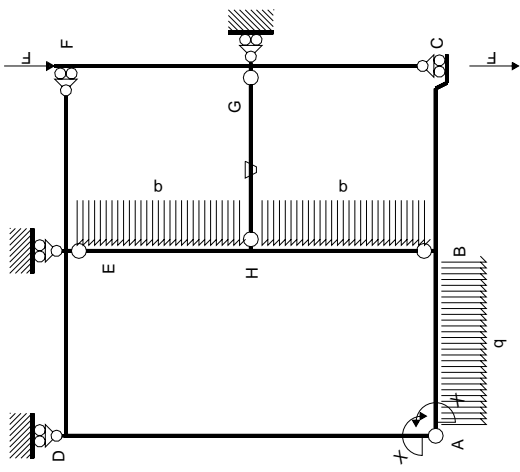
$$= (3/4 b - 1/3 b - 1/8 b) \cdot Fb \cdot 1/EJ + 1 \cdot 0 \cdot 1/4 \cdot Fb^2/EJ = 7/24 \cdot Fb^2/EJ$$

$$L_{BA}^{xo} = \int_0^b (2x/b - 5/2 x^2/b^2 + 1/2 x^3/b^3) \cdot Fb \cdot 1/EJ \, dx + 1 \cdot 0 \cdot 1/4 \cdot Fb^2/EJ$$

$$= \left[x^2/b - 5/6 x^3/b^2 + 1/8 x^4/b^3 \right]_0^b \cdot Fb \cdot 1/EJ + 1 \cdot 0 \cdot 1/4 \cdot Fb^2/EJ$$

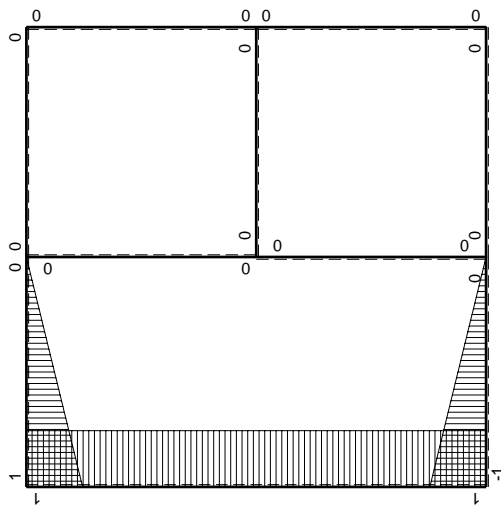
$$= (b - 5/6 b + 1/8 b) \cdot Fb \cdot 1/EJ + 1 \cdot 0 \cdot 1/4 \cdot Fb^2/EJ = 7/24 \cdot Fb^2/EJ$$





Schema di calcolo iperstatico

M_0 flessione da carichi assegnati



M_x flessione da iperstatica X=1

Quadro contributi PLV per iperstatica $X=W_{AB}$

→	$M_x(x)$	$M_o(x)$	θ	$M_x M_o$	$M_x \theta$	$M_x M_x$	$\int M_x(M_o/EJ+\theta)dx$	$\int X M_x M_x/EJ dx$	
AB b	$-1+x/b$	$-3/2Fx-1/2qx^2$	0	$3/2Fx-Fx^2/b-1/2qx^3/b$	0	$1-2x/b+x^2/b^2$	$(7/24+0)Fb^2/EJ$	$1/3Xb/EJ$	
BA b	x/b	$2Fb-5/2Fx+1/2qx^2$	0	$2Fx-5/2Fx^2/b+1/2qx^3/b$	0	x^2/b^2			
BC b	0	$-2Fb+2Fx$	0	0	0	0	0+0	0	
CB b	0	$2Fx$	0	0	0	0			
AD 2b	1	0	0	0	0	1	0+0	$2Xb/EJ$	
DA 2b	-1	0	0	0	0	1			
DE b	$1-x/b$	0	0	0	0	$1-2x/b+x^2/b^2$	0+0	$1/3Xb/EJ$	
ED b	$-x/b$	0	0	0	0	x^2/b^2			
EF b	0	0	0	0	0	0	0+0	0	
FE b	0	0	0	0	0	0			
FG b	0	0	0	0	0	0	0+0	0	
GF b	0	0	0	0	0	0			
GC b	0	0	0	0	0	0	0+0	0	
CG b	0	0	0	0	0	0			
HG b	0	0	$-Fb/EJ$	0	0	0	0+0	0	
GH b	0	0	Fb/EJ	0	0	0			
HB b	0	$-1/2Fb+Fx-1/2qx^2$	0	0	0	0	0+0	0	
BH b	0	$1/2qx^2$	0	0	0	0			
HE b	0	$1/2Fb-Fx+1/2qx^2$	0	0	0	0	0+0	0	
EH b	0	$-1/2qx^2$	0	0	0	0			
AB	molla asta $-W_{1AB}(W_{0AB}+XW_{1AB})/k_{AB}$								$1/4Xb/EJ$
	totali							$7/24Fb^2/EJ$	$35/12Xb/EJ$
	iperstatica $X=W_{AB}$							$-1/10Fb$	

Sviluppi di calcolo iperstatica

$$L_{AB}^{xx} = \int_0^b (1 - 2x/b + x^2/b^2) \frac{1}{EJ} dx + 1 \cdot 1 \cdot \frac{1}{4} \frac{b}{EJ} = \left[x - \frac{x^2}{b} + \frac{1}{3} \frac{x^3}{b^2} \right]_0^b \frac{1}{EJ} + 1 \cdot 1 \cdot \frac{1}{4} \frac{b}{EJ}$$

$$= (b - b + \frac{1}{3}b) \frac{1}{EJ} + 1 \cdot 1 \cdot \frac{1}{4} \frac{b}{EJ} = \frac{7}{12} \frac{b}{EJ}$$

$$L_{BA}^{xx} = \int_0^b (x^2/b^2) \frac{1}{EJ} dx + 1 \cdot 1 \cdot \frac{1}{4} \frac{b}{EJ} = \left[\frac{1}{3} \frac{x^3}{b^2} \right]_0^b \frac{1}{EJ} + 1 \cdot 1 \cdot \frac{1}{4} \frac{b}{EJ}$$

$$= (\frac{1}{3}b) \frac{1}{EJ} + 1 \cdot 1 \cdot \frac{1}{4} \frac{b}{EJ} = \frac{7}{12} \frac{b}{EJ}$$

$$L_{AD}^{xx} = \int_0^{2b} (1) \frac{1}{EJ} dx = \left[x \right]_0^{2b} \frac{1}{EJ}$$

$$= (2b) \frac{1}{EJ} = 2 \frac{b}{EJ}$$

$$L_{DA}^{xx} = \int_0^{2b} (1) \frac{1}{EJ} dx = \left[x \right]_0^{2b} \frac{1}{EJ}$$

$$= (2b) \frac{1}{EJ} = 2 \frac{b}{EJ}$$

$$L_{DE}^{xx} = \int_0^b (1 - 2x/b + x^2/b^2) \frac{1}{EJ} dx = \left[x - \frac{x^2}{b} + \frac{1}{3} \frac{x^3}{b^2} \right]_0^b \frac{1}{EJ}$$

$$= (b - b + \frac{1}{3}b) \frac{1}{EJ} = \frac{1}{3} \frac{b}{EJ}$$

$$L_{ED}^{xx} = \int_0^b (x^2/b^2) \frac{1}{EJ} dx = \left[\frac{1}{3} \frac{x^3}{b^2} \right]_0^b \frac{1}{EJ}$$

$$= (\frac{1}{3}b) \frac{1}{EJ} = \frac{1}{3} \frac{b}{EJ}$$

$$L_{AB}^{xo} = \int_0^b (3/2 x/b - x^2/b^2 - 1/2 x^3/b^3) Fb \frac{1}{EJ} dx + 1 \cdot 0 \cdot \frac{1}{4} \frac{Fb^2}{EJ}$$

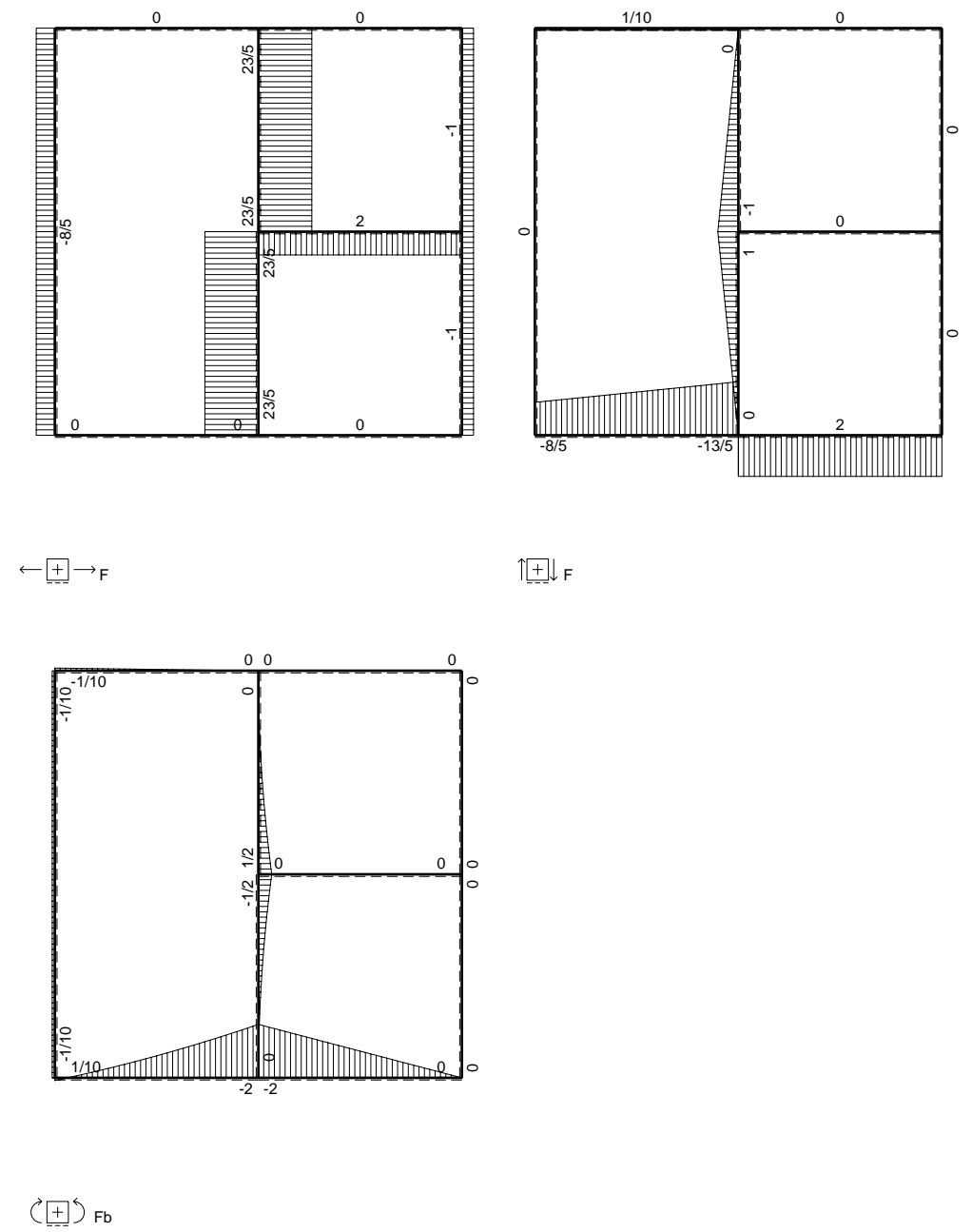
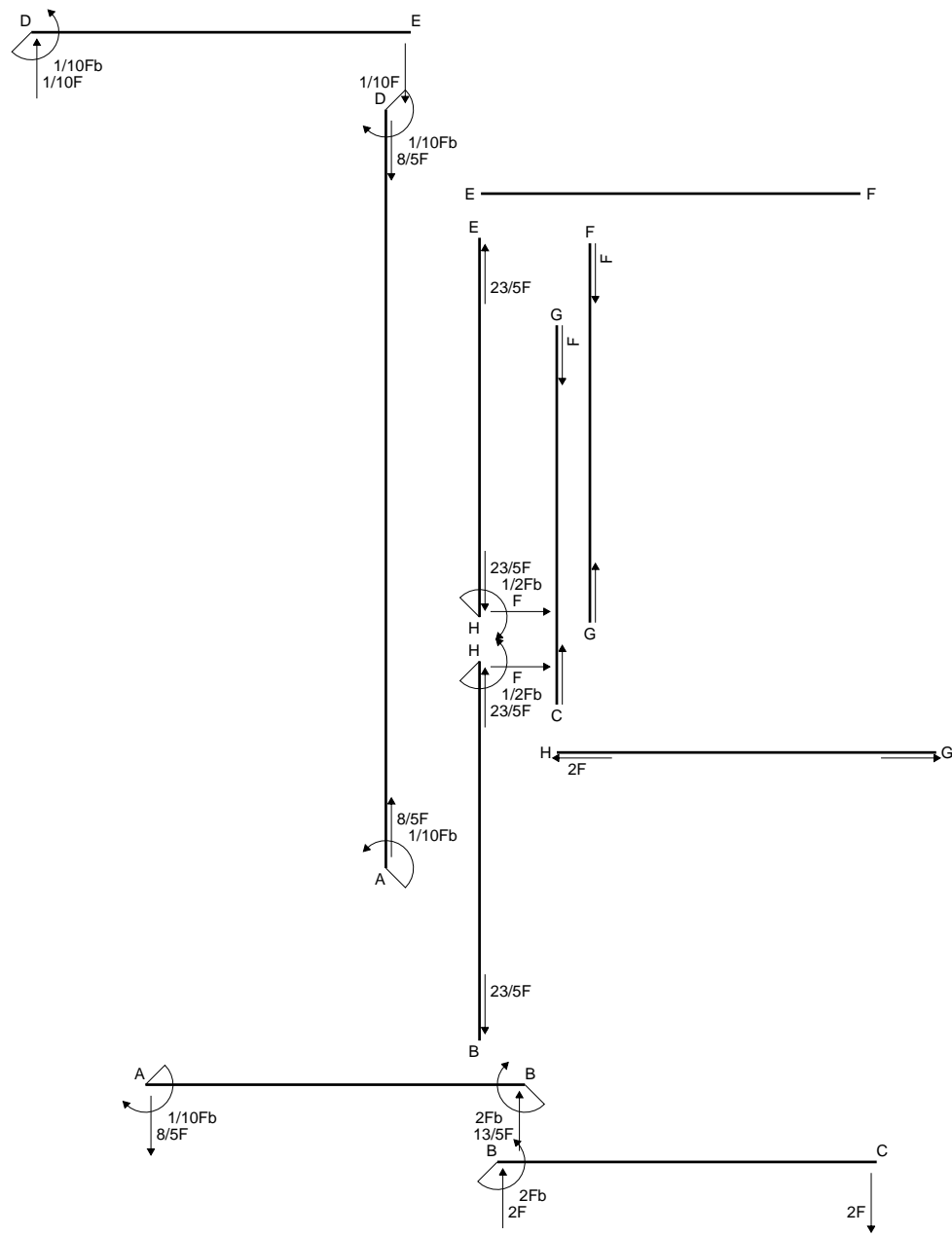
$$= \left[\frac{3}{4} \frac{x^2}{b} - \frac{1}{3} \frac{x^3}{b^2} - \frac{1}{8} \frac{x^4}{b^3} \right]_0^b Fb \frac{1}{EJ} + 1 \cdot 0 \cdot \frac{1}{4} \frac{Fb^2}{EJ}$$

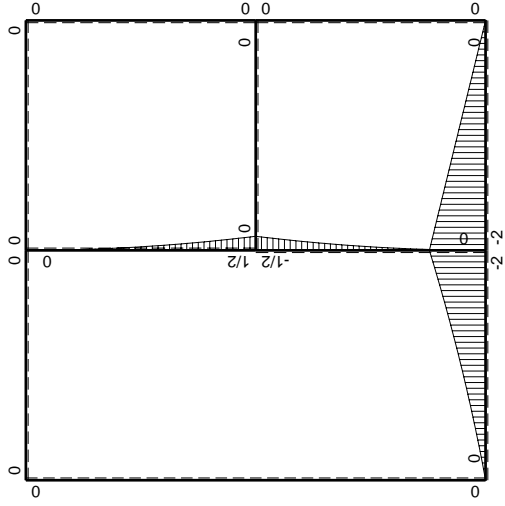
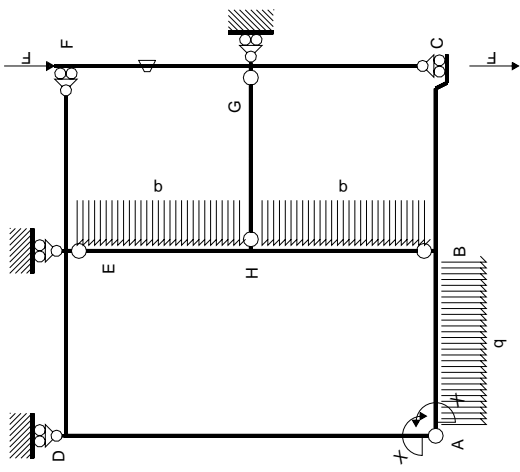
$$= (3/4 b - 1/3 b - 1/8 b) Fb \frac{1}{EJ} + 1 \cdot 0 \cdot \frac{1}{4} \frac{Fb^2}{EJ} = \frac{7}{24} \frac{Fb^2}{EJ}$$

$$L_{BA}^{xo} = \int_0^b (2x/b - 5/2 x^2/b^2 + 1/2 x^3/b^3) Fb \frac{1}{EJ} dx + 1 \cdot 0 \cdot \frac{1}{4} \frac{Fb^2}{EJ}$$

$$= \left[\frac{x^2}{b} - \frac{5}{6} \frac{x^3}{b^2} + \frac{1}{8} \frac{x^4}{b^3} \right]_0^b Fb \frac{1}{EJ} + 1 \cdot 0 \cdot \frac{1}{4} \frac{Fb^2}{EJ}$$

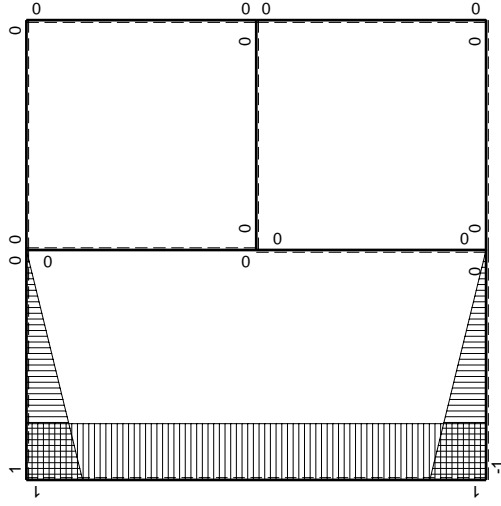
$$= (b - 5/6 b + 1/8 b) Fb \frac{1}{EJ} + 1 \cdot 0 \cdot \frac{1}{4} \frac{Fb^2}{EJ} = \frac{7}{24} \frac{Fb^2}{EJ}$$





Schema di calcolo iperstatico

M_0 flessione da carichi assegnati



M_x flessione da iperstatica $X=1$

Quadro contributi PLV per iperstatica $X=W_{AB}$

→	$M_x(x)$	$M_o(x)$	θ	$M_x M_o$	$M_x \theta$	$M_x M_x$	$\int M_x(M_o/EJ+\theta)dx$	$\int X M_x M_x/EJ dx$	
AB b	$-1+x/b$	$-3/2Fx-1/2qx^2$	0	$3/2Fx-Fx^2/b-1/2qx^3/b$	0	$1-2x/b+x^2/b^2$	$(7/24+0)Fb^2/EJ$	$1/3Xb/EJ$	
BA b	x/b	$2Fb-5/2Fx+1/2qx^2$	0	$2Fx-5/2Fx^2/b+1/2qx^3/b$	0	x^2/b^2			
BC b	0	$-2Fb+2Fx$	0	0	0	0	0+0	0	
CB b	0	$2Fx$	0	0	0	0			
AD 2b	1	0	0	0	0	1	0+0	$2Xb/EJ$	
DA 2b	-1	0	0	0	0	1			
DE b	$1-x/b$	0	0	0	0	$1-2x/b+x^2/b^2$	0+0	$1/3Xb/EJ$	
ED b	$-x/b$	0	0	0	0	x^2/b^2			
EF b	0	0	0	0	0	0	0+0	0	
FE b	0	0	0	0	0	0			
FG b	0	0	$-Fb/EJ$	0	0	0	0+0	0	
GF b	0	0	Fb/EJ	0	0	0			
GC b	0	0	0	0	0	0	0+0	0	
CG b	0	0	0	0	0	0			
HG b	0	0	0	0	0	0	0+0	0	
GH b	0	0	0	0	0	0			
HB b	0	$-1/2Fb+Fx-1/2qx^2$	0	0	0	0	0+0	0	
BH b	0	$1/2qx^2$	0	0	0	0			
HE b	0	$1/2Fb-Fx+1/2qx^2$	0	0	0	0	0+0	0	
EH b	0	$-1/2qx^2$	0	0	0	0			
AB	molla asta $-W_{1AB}(W_{0AB}+XW_{1AB})/k_{AB}$								$1/4Xb/EJ$
	totali							$7/24Fb^2/EJ$	$35/12Xb/EJ$
	iperstatica $X=W_{AB}$							$-1/10Fb$	

Sviluppi di calcolo iperstatica

$$L_{AB}^{xx} = \int_0^b (1 - 2x/b + x^2/b^2) \frac{1}{EJ} dx + 1 \cdot 1/4 \cdot b/EJ = \left[x - x^2/b + 1/3 x^3/b^2 \right]_0^b \frac{1}{EJ} + 1 \cdot 1/4 \cdot b/EJ$$

$$= (b - b + 1/3 b) \frac{1}{EJ} + 1 \cdot 1/4 \cdot b/EJ = 7/12 \cdot b/EJ$$

$$L_{BA}^{xx} = \int_0^b (x^2/b^2) \frac{1}{EJ} dx + 1 \cdot 1/4 \cdot b/EJ = \left[1/3 x^3/b^2 \right]_0^b \frac{1}{EJ} + 1 \cdot 1/4 \cdot b/EJ$$

$$= (1/3 b) \frac{1}{EJ} + 1 \cdot 1/4 \cdot b/EJ = 7/12 \cdot b/EJ$$

$$L_{AD}^{xx} = \int_0^{2b} (1) \frac{1}{EJ} dx = \left[x \right]_0^{2b} \frac{1}{EJ}$$

$$= (2b) \frac{1}{EJ} = 2 \cdot b/EJ$$

$$L_{DA}^{xx} = \int_0^{2b} (1) \frac{1}{EJ} dx = \left[x \right]_0^{2b} \frac{1}{EJ}$$

$$= (2b) \frac{1}{EJ} = 2 \cdot b/EJ$$

$$L_{DE}^{xx} = \int_0^b (1 - 2x/b + x^2/b^2) \frac{1}{EJ} dx = \left[x - x^2/b + 1/3 x^3/b^2 \right]_0^b \frac{1}{EJ}$$

$$= (b - b + 1/3 b) \frac{1}{EJ} = 1/3 \cdot b/EJ$$

$$L_{ED}^{xx} = \int_0^b (x^2/b^2) \frac{1}{EJ} dx = \left[1/3 x^3/b^2 \right]_0^b \frac{1}{EJ}$$

$$= (1/3 b) \frac{1}{EJ} = 1/3 \cdot b/EJ$$

$$L_{AB}^{xo} = \int_0^b (3/2 x/b - x^2/b^2 - 1/2 x^3/b^3) Fb \frac{1}{EJ} dx + 1 \cdot 0 \cdot 1/4 \cdot Fb^2/EJ$$

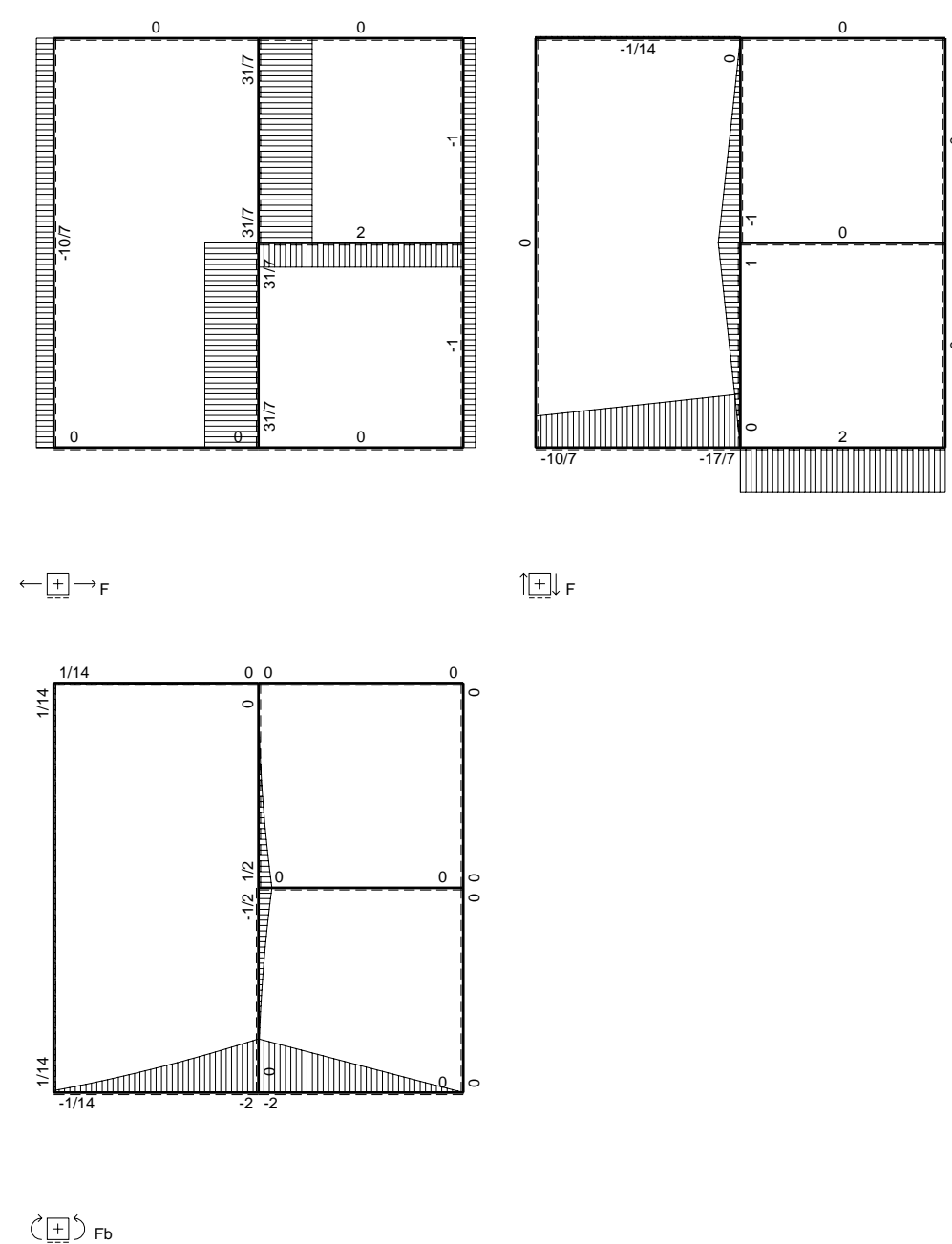
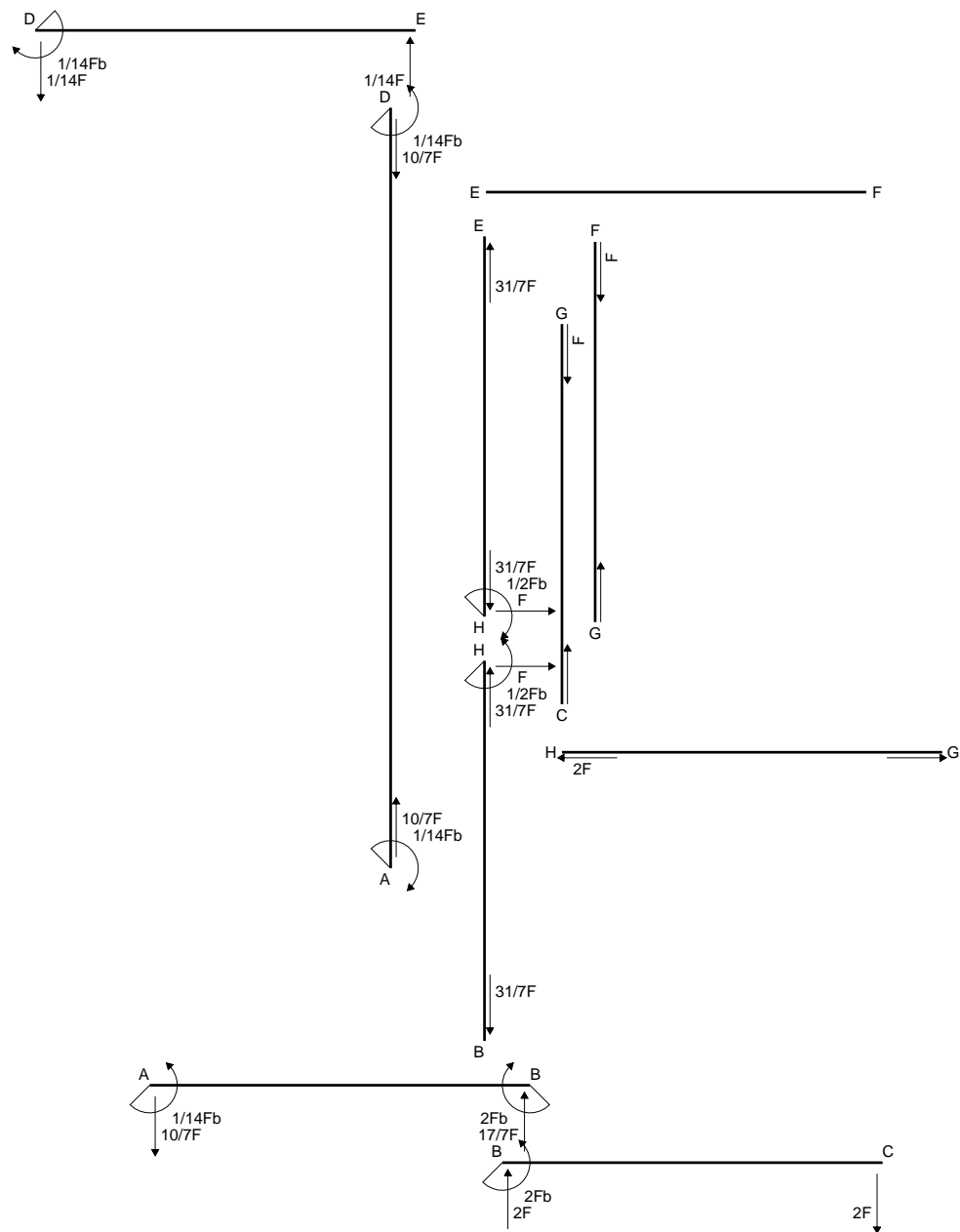
$$= \left[3/4 x^2/b - 1/3 x^3/b^2 - 1/8 x^4/b^3 \right]_0^b Fb \frac{1}{EJ} + 1 \cdot 0 \cdot 1/4 \cdot Fb^2/EJ$$

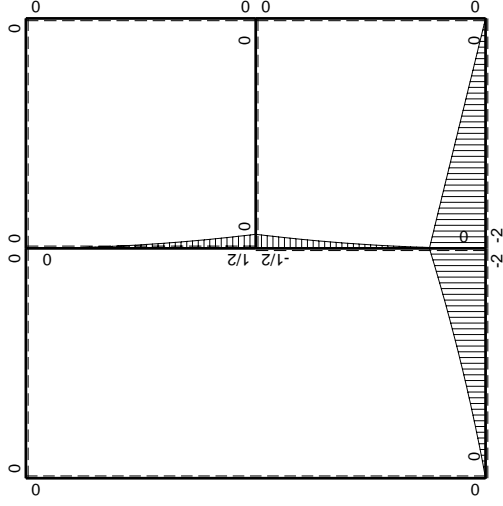
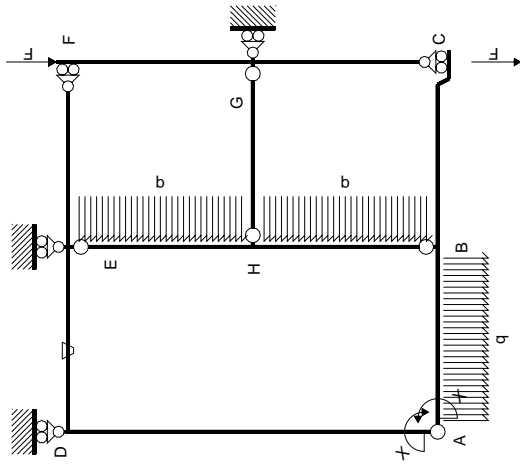
$$= (3/4 b - 1/3 b - 1/8 b) Fb \frac{1}{EJ} + 1 \cdot 0 \cdot 1/4 \cdot Fb^2/EJ = 7/24 \cdot Fb^2/EJ$$

$$L_{BA}^{xo} = \int_0^b (2x/b - 5/2 x^2/b^2 + 1/2 x^3/b^3) Fb \frac{1}{EJ} dx + 1 \cdot 0 \cdot 1/4 \cdot Fb^2/EJ$$

$$= \left[x^2/b - 5/6 x^3/b^2 + 1/8 x^4/b^3 \right]_0^b Fb \frac{1}{EJ} + 1 \cdot 0 \cdot 1/4 \cdot Fb^2/EJ$$

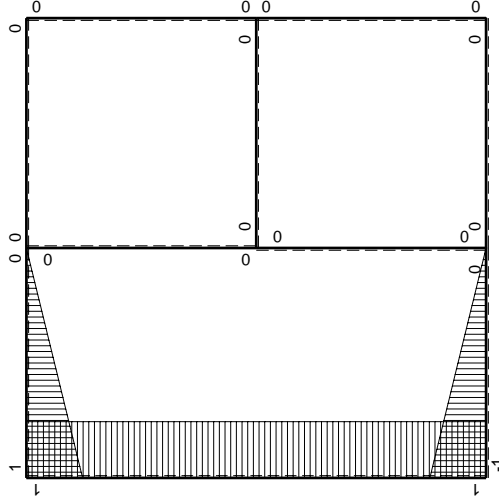
$$= (b - 5/6 b + 1/8 b) Fb \frac{1}{EJ} + 1 \cdot 0 \cdot 1/4 \cdot Fb^2/EJ = 7/24 \cdot Fb^2/EJ$$





Schema di calcolo iperstatico

M_0 flessione da carichi assegnati



M_x flessione da iperstatica $X=1$

Quadro contributi PLV per iperstatica $X=W_{AB}$

→	$M_x(x)$	$M_o(x)$	θ	$M_x M_o$	$M_x \theta$	$M_x M_x$	$\int M_x(M_o/EJ+\theta)dx$	$\int X M_x M_x/EJ dx$	
AB b	$-1+x/b$	$-3/2Fx-1/2qx^2$	0	$3/2Fx-Fx^2/b-1/2qx^3/b$	0	$1-2x/b+x^2/b^2$	$(7/24+0)Fb^2/EJ$	$1/3Xb/EJ$	
BA b	x/b	$2Fb-5/2Fx+1/2qx^2$	0	$2Fx-5/2Fx^2/b+1/2qx^3/b$	0	x^2/b^2			
BC b	0	$-2Fb+2Fx$	0	0	0	0	0+0	0	
CB b	0	$2Fx$	0	0	0	0			
AD 2b	1	0	0	0	0	1	0+0	$2Xb/EJ$	
DA 2b	-1	0	0	0	0	1			
DE b	$1-x/b$	0	$-Fb/EJ$	0	$-Fb/EJ+Fx/EJ$	$1-2x/b+x^2/b^2$	$(0-1/2)Fb^2/EJ$	$1/3Xb/EJ$	
ED b	$-x/b$	0	Fb/EJ	0	$-Fx/EJ$	x^2/b^2			
EF b	0	0	0	0	0	0	0+0	0	
FE b	0	0	0	0	0	0			
FG b	0	0	0	0	0	0	0+0	0	
GF b	0	0	0	0	0	0			
GC b	0	0	0	0	0	0	0+0	0	
CG b	0	0	0	0	0	0			
HG b	0	0	0	0	0	0	0+0	0	
GH b	0	0	0	0	0	0			
HB b	0	$-1/2Fb+Fx-1/2qx^2$	0	0	0	0	0+0	0	
BH b	0	$1/2qx^2$	0	0	0	0			
HE b	0	$1/2Fb-Fx+1/2qx^2$	0	0	0	0	0+0	0	
EH b	0	$-1/2qx^2$	0	0	0	0			
AB	molla asta $-W_{1AB}(W_{0AB}+XW_{1AB})/k_{AB}$								$1/4Xb/EJ$
	totali							$-5/24Fb^2/EJ$	$35/12Xb/EJ$
	iperstatica $X=W_{AB}$							$1/14Fb$	

Sviluppi di calcolo iperstatica

$$L_{AB}^{xx} = \int_0^b (1 - 2x/b + x^2/b^2) \cdot 1/EJ \, dx + 1 \cdot 1/4 \cdot b/EJ = \left[x - x^2/b + 1/3 x^3/b^2 \right]_0^b \cdot 1/EJ + 1 \cdot 1/4 \cdot b/EJ$$

$$= (b - b + 1/3 b) \cdot 1/EJ + 1 \cdot 1/4 \cdot b/EJ = 7/12 \cdot b/EJ$$

$$L_{BA}^{xx} = \int_0^b (x^2/b^2) \cdot 1/EJ \, dx + 1 \cdot 1/4 \cdot b/EJ = \left[1/3 x^3/b^2 \right]_0^b \cdot 1/EJ + 1 \cdot 1/4 \cdot b/EJ$$

$$= (1/3 b) \cdot 1/EJ + 1 \cdot 1/4 \cdot b/EJ = 7/12 \cdot b/EJ$$

$$L_{AD}^{xx} = \int_0^{2b} (1) \cdot 1/EJ \, dx = \left[x \right]_0^{2b} \cdot 1/EJ$$

$$= (2b) \cdot 1/EJ = 2 \cdot b/EJ$$

$$L_{DA}^{xx} = \int_0^{2b} (1) \cdot 1/EJ \, dx = \left[x \right]_0^{2b} \cdot 1/EJ$$

$$= (2b) \cdot 1/EJ = 2 \cdot b/EJ$$

$$L_{DE}^{xx} = \int_0^b (1 - 2x/b + x^2/b^2) \cdot 1/EJ \, dx = \left[x - x^2/b + 1/3 x^3/b^2 \right]_0^b \cdot 1/EJ$$

$$= (b - b + 1/3 b) \cdot 1/EJ = 1/3 \cdot b/EJ$$

$$L_{ED}^{xx} = \int_0^b (x^2/b^2) \cdot 1/EJ \, dx = \left[1/3 x^3/b^2 \right]_0^b \cdot 1/EJ$$

$$= (1/3 b) \cdot 1/EJ = 1/3 \cdot b/EJ$$

$$L_{AB}^{xo} = \int_0^b (3/2 x/b - x^2/b^2 - 1/2 x^3/b^3) \cdot Fb \cdot 1/EJ \, dx + 1 \cdot 0 \cdot 1/4 \cdot Fb^2/EJ$$

$$= \left[3/4 x^2/b - 1/3 x^3/b^2 - 1/8 x^4/b^3 \right]_0^b \cdot Fb \cdot 1/EJ + 1 \cdot 0 \cdot 1/4 \cdot Fb^2/EJ$$

$$= (3/4 b - 1/3 b - 1/8 b) \cdot Fb \cdot 1/EJ + 1 \cdot 0 \cdot 1/4 \cdot Fb^2/EJ = 7/24 \cdot Fb^2/EJ$$

$$L_{BA}^{xo} = \int_0^b (2x/b - 5/2 x^2/b^2 + 1/2 x^3/b^3) \cdot Fb \cdot 1/EJ \, dx + 1 \cdot 0 \cdot 1/4 \cdot Fb^2/EJ$$

$$= \left[x^2/b - 5/6 x^3/b^2 + 1/8 x^4/b^3 \right]_0^b \cdot Fb \cdot 1/EJ + 1 \cdot 0 \cdot 1/4 \cdot Fb^2/EJ$$

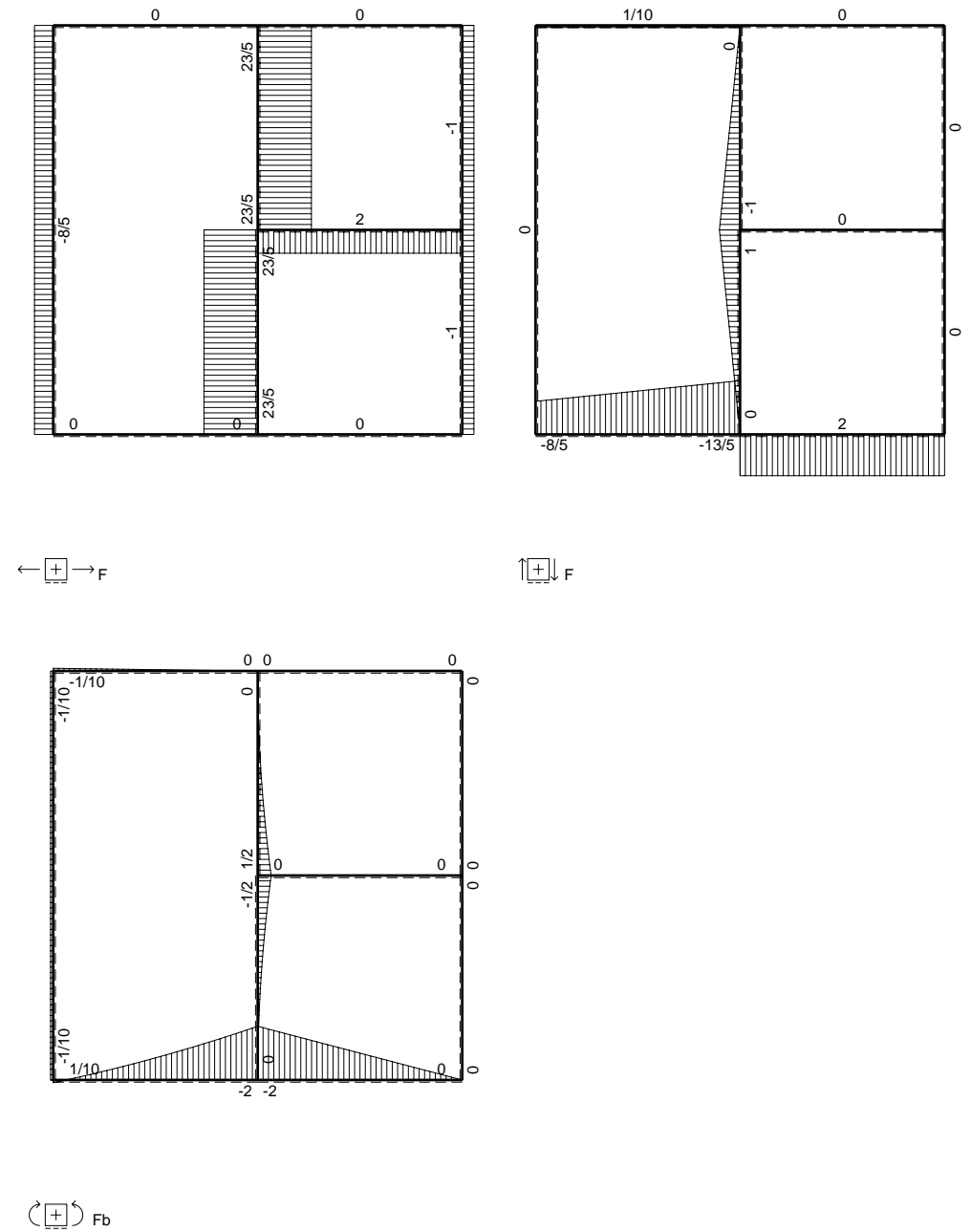
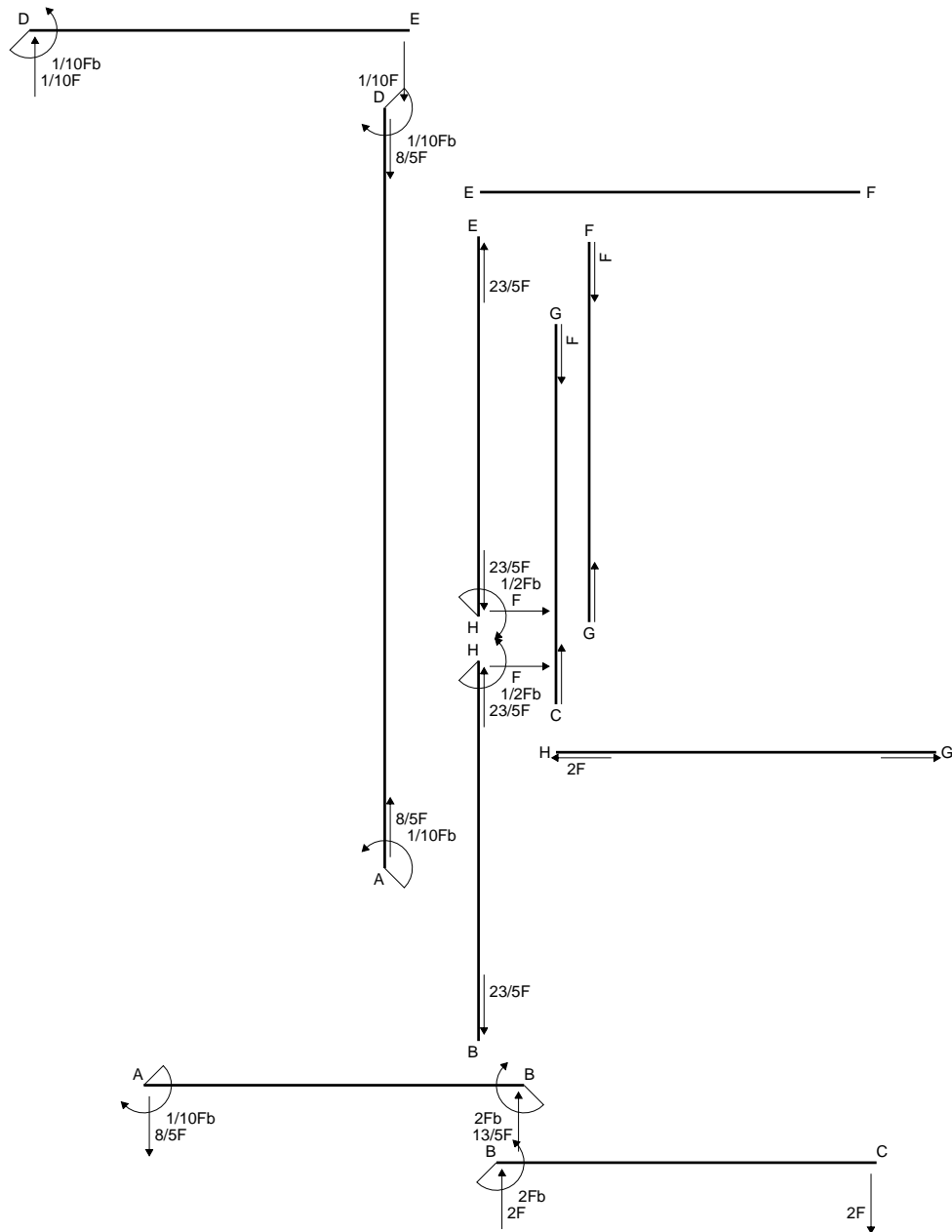
$$= (b - 5/6 b + 1/8 b) \cdot Fb \cdot 1/EJ + 1 \cdot 0 \cdot 1/4 \cdot Fb^2/EJ = 7/24 \cdot Fb^2/EJ$$

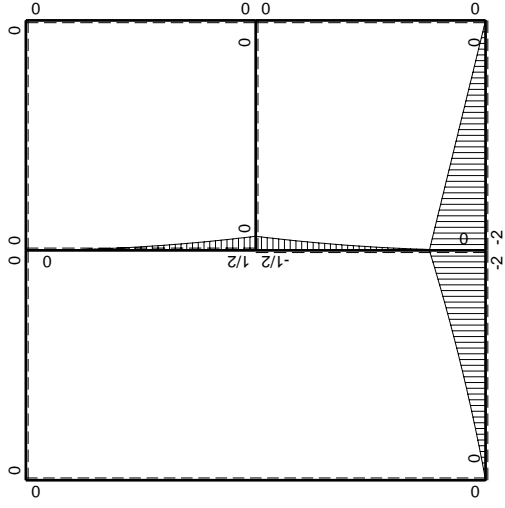
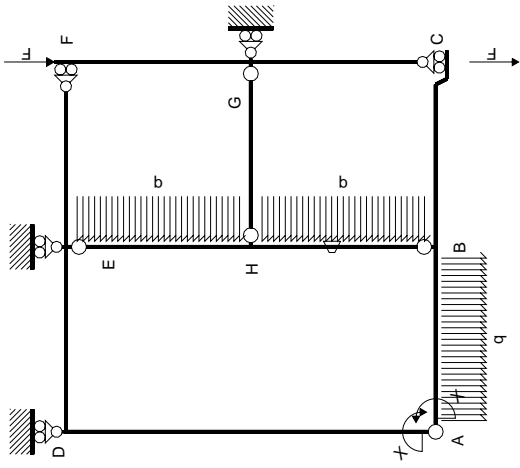
$$L_{DE}^{xo} = \int_0^b (-1 + x/b) \cdot \theta \, dx = \left[-x + 1/2 x^2/b \right]_0^b \cdot \theta$$

$$= (-b + 1/2 b) \cdot \theta = -1/2 \cdot Fb^2/EJ$$

$$L_{ED}^{xo} = \int_0^b (x/b) \cdot \theta \, dx = \left[1/2 x^2/b \right]_0^b \cdot \theta$$

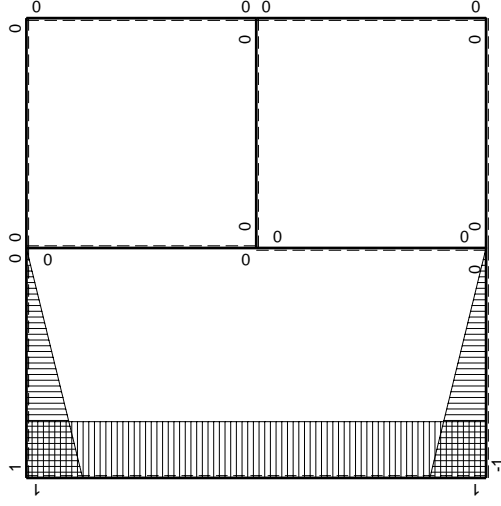
$$= (1/2 b) \cdot \theta = -1/2 \cdot Fb^2/EJ$$





Schema di calcolo iperstatico

M_0 flessione da carichi assegnati



M_x flessione da iperstatica $X=1$

Quadro contributi PLV per iperstatica $X=W_{AB}$

→	$M_x(x)$	$M_o(x)$	θ	$M_x M_o$	$M_x \theta$	$M_x M_x$	$\int M_x(M_o/EJ+\theta)dx$	$\int X M_x M_x/EJ dx$	
AB b	$-1+x/b$	$-3/2Fx-1/2qx^2$	0	$3/2Fx-Fx^2/b-1/2qx^3/b$	0	$1-2x/b+x^2/b^2$	$(7/24+0)Fb^2/EJ$	$1/3Xb/EJ$	
BA b	x/b	$2Fb-5/2Fx+1/2qx^2$	0	$2Fx-5/2Fx^2/b+1/2qx^3/b$	0	x^2/b^2			
BC b	0	$-2Fb+2Fx$	0	0	0	0	0+0	0	
CB b	0	$2Fx$	0	0	0	0			
AD 2b	1	0	0	0	0	1	0+0	$2Xb/EJ$	
DA 2b	-1	0	0	0	0	1			
DE b	$1-x/b$	0	0	0	0	$1-2x/b+x^2/b^2$	0+0	$1/3Xb/EJ$	
ED b	$-x/b$	0	0	0	0	x^2/b^2			
EF b	0	0	0	0	0	0	0+0	0	
FE b	0	0	0	0	0	0			
FG b	0	0	0	0	0	0	0+0	0	
GF b	0	0	0	0	0	0			
GC b	0	0	0	0	0	0	0+0	0	
CG b	0	0	0	0	0	0			
HG b	0	0	0	0	0	0	0+0	0	
GH b	0	0	0	0	0	0			
HB b	0	$-1/2Fb+Fx-1/2qx^2$	$-Fb/EJ$	0	0	0	0+0	0	
BH b	0	$1/2qx^2$	Fb/EJ	0	0	0			
HE b	0	$1/2Fb-Fx+1/2qx^2$	0	0	0	0	0+0	0	
EH b	0	$-1/2qx^2$	0	0	0	0			
AB	molla asta $-W_{1AB}(W_{0AB}+XW_{1AB})/k_{AB}$								$1/4Xb/EJ$
	totali							$7/24Fb^2/EJ$	$35/12Xb/EJ$
	iperstatica $X=W_{AB}$							$-1/10Fb$	

Sviluppi di calcolo iperstatica

$$L_{AB}^{xx} = \int_0^b (1 - 2x/b + x^2/b^2) \cdot 1/EJ \, dx + 1 \cdot 1/4 \cdot b/EJ = \left[x - x^2/b + 1/3 x^3/b^2 \right]_0^b \cdot 1/EJ + 1 \cdot 1/4 \cdot b/EJ$$

$$= (b - b + 1/3 b) \cdot 1/EJ + 1 \cdot 1/4 \cdot b/EJ = 7/12 \cdot b/EJ$$

$$L_{BA}^{xx} = \int_0^b (x^2/b^2) \cdot 1/EJ \, dx + 1 \cdot 1/4 \cdot b/EJ = \left[1/3 x^3/b^2 \right]_0^b \cdot 1/EJ + 1 \cdot 1/4 \cdot b/EJ$$

$$= (1/3 b) \cdot 1/EJ + 1 \cdot 1/4 \cdot b/EJ = 7/12 \cdot b/EJ$$

$$L_{AD}^{xx} = \int_0^{2b} (1) \cdot 1/EJ \, dx = \left[x \right]_0^{2b} \cdot 1/EJ$$

$$= (2b) \cdot 1/EJ = 2 \cdot b/EJ$$

$$L_{DA}^{xx} = \int_0^{2b} (1) \cdot 1/EJ \, dx = \left[x \right]_0^{2b} \cdot 1/EJ$$

$$= (2b) \cdot 1/EJ = 2 \cdot b/EJ$$

$$L_{DE}^{xx} = \int_0^b (1 - 2x/b + x^2/b^2) \cdot 1/EJ \, dx = \left[x - x^2/b + 1/3 x^3/b^2 \right]_0^b \cdot 1/EJ$$

$$= (b - b + 1/3 b) \cdot 1/EJ = 1/3 \cdot b/EJ$$

$$L_{ED}^{xx} = \int_0^b (x^2/b^2) \cdot 1/EJ \, dx = \left[1/3 x^3/b^2 \right]_0^b \cdot 1/EJ$$

$$= (1/3 b) \cdot 1/EJ = 1/3 \cdot b/EJ$$

$$L_{AB}^{xo} = \int_0^b (3/2 x/b - x^2/b^2 - 1/2 x^3/b^3) \cdot Fb \cdot 1/EJ \, dx + 1 \cdot 0 \cdot 1/4 \cdot Fb^2/EJ$$

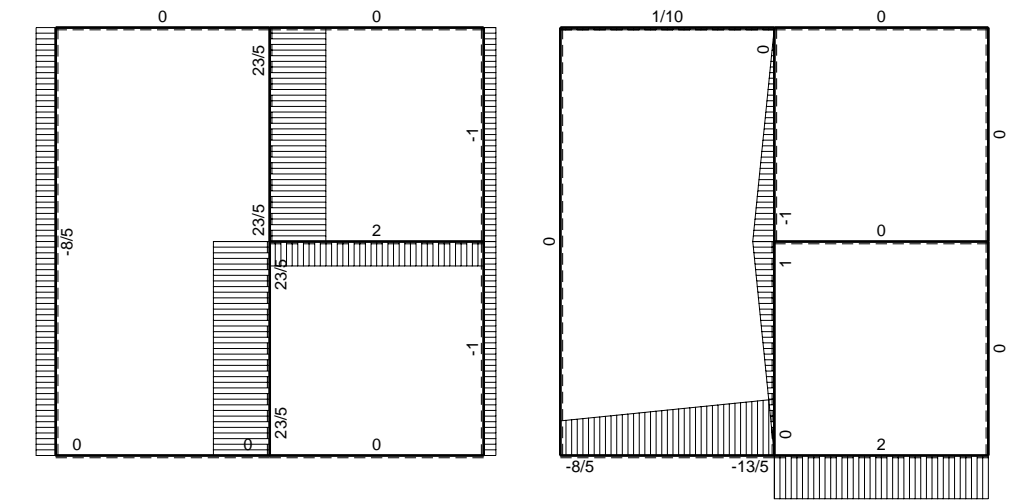
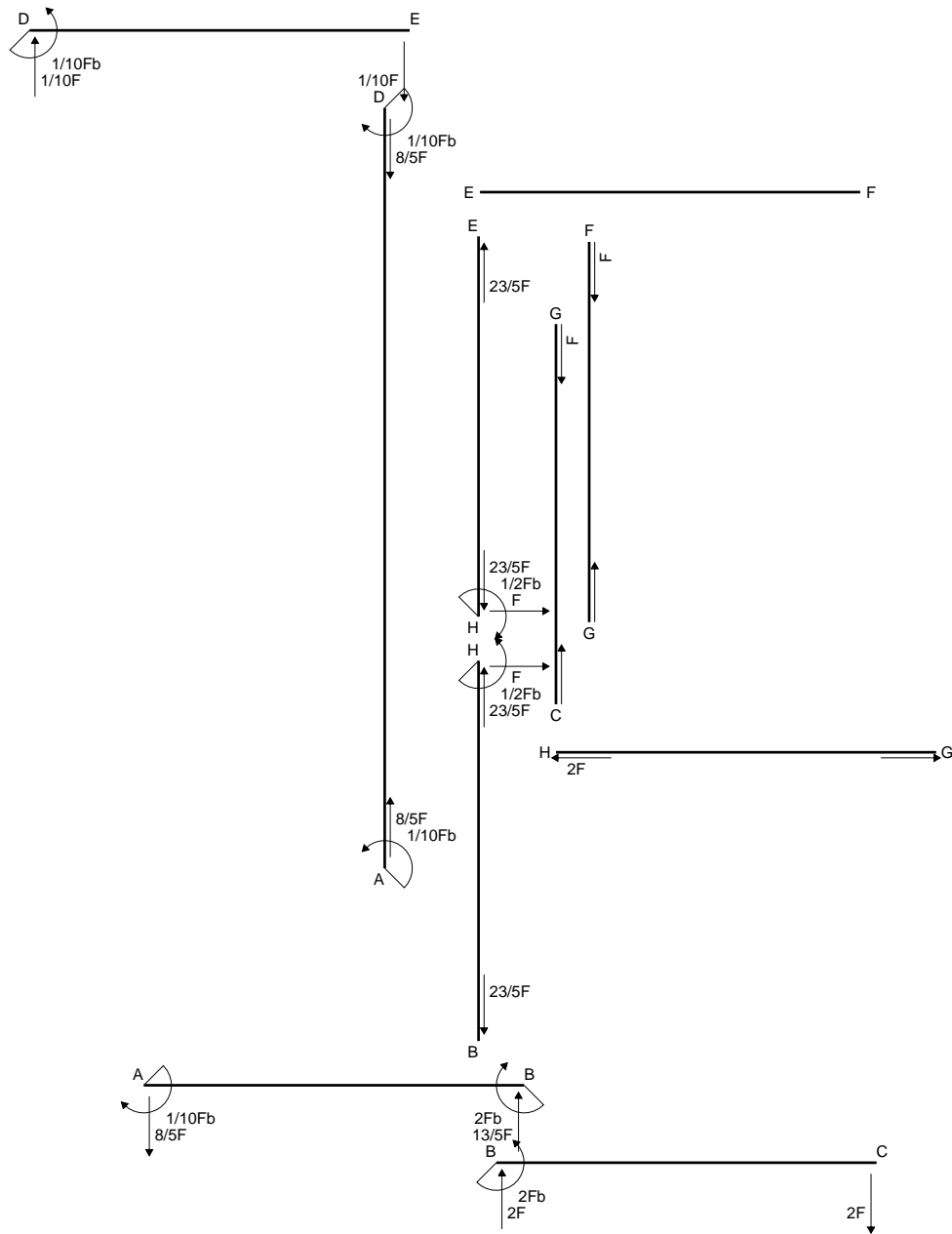
$$= \left[3/4 x^2/b - 1/3 x^3/b^2 - 1/8 x^4/b^3 \right]_0^b \cdot Fb \cdot 1/EJ + 1 \cdot 0 \cdot 1/4 \cdot Fb^2/EJ$$

$$= (3/4 b - 1/3 b - 1/8 b) \cdot Fb \cdot 1/EJ + 1 \cdot 0 \cdot 1/4 \cdot Fb^2/EJ = 7/24 \cdot Fb^2/EJ$$

$$L_{BA}^{xo} = \int_0^b (2x/b - 5/2 x^2/b^2 + 1/2 x^3/b^3) \cdot Fb \cdot 1/EJ \, dx + 1 \cdot 0 \cdot 1/4 \cdot Fb^2/EJ$$

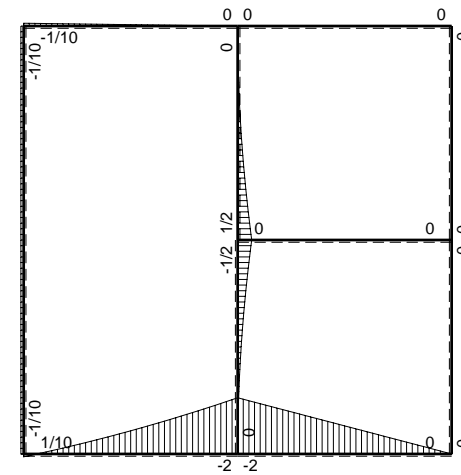
$$= \left[x^2/b - 5/6 x^3/b^2 + 1/8 x^4/b^3 \right]_0^b \cdot Fb \cdot 1/EJ + 1 \cdot 0 \cdot 1/4 \cdot Fb^2/EJ$$

$$= (b - 5/6 b + 1/8 b) \cdot Fb \cdot 1/EJ + 1 \cdot 0 \cdot 1/4 \cdot Fb^2/EJ = 7/24 \cdot Fb^2/EJ$$

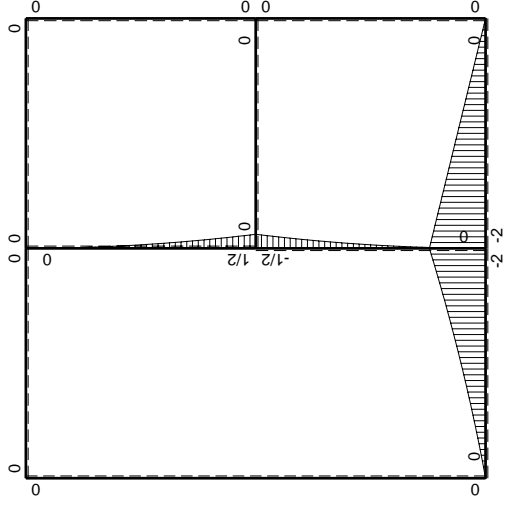
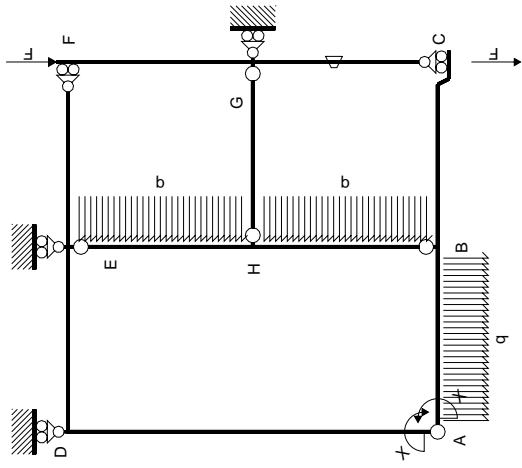


← ⊕ → F

↑ ⊕ ↓ Fb

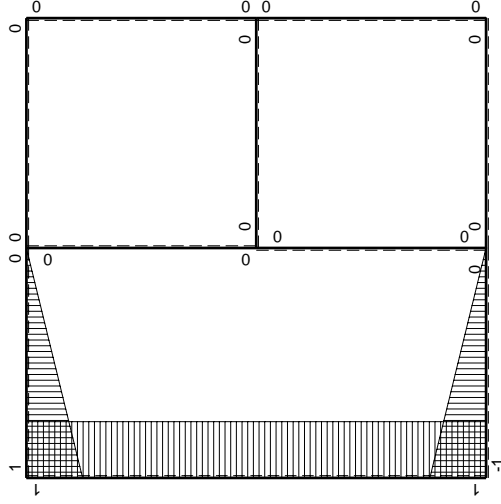


⊕ Fb



Schema di calcolo iperstatico

M_0 flessione da carichi assegnati



M_x flessione da iperstatica $X=1$

Quadro contributi PLV per iperstatica $X=W_{AB}$

→	$M_x(x)$	$M_o(x)$	θ	$M_x M_o$	$M_x \theta$	$M_x M_x$	$\int M_x(M_o/EJ+\theta)dx$	$\int X M_x M_x/EJ dx$	
AB b	$-1+x/b$	$-3/2Fx-1/2qx^2$	0	$3/2Fx-Fx^2/b-1/2qx^3/b$	0	$1-2x/b+x^2/b^2$	$(7/24+0)Fb^2/EJ$	$1/3Xb/EJ$	
BA b	x/b	$2Fb-5/2Fx+1/2qx^2$	0	$2Fx-5/2Fx^2/b+1/2qx^3/b$	0	x^2/b^2			
BC b	0	$-2Fb+2Fx$	0	0	0	0	0+0	0	
CB b	0	$2Fx$	0	0	0	0			
AD 2b	1	0	0	0	0	1	0+0	$2Xb/EJ$	
DA 2b	-1	0	0	0	0	1			
DE b	$1-x/b$	0	0	0	0	$1-2x/b+x^2/b^2$	0+0	$1/3Xb/EJ$	
ED b	$-x/b$	0	0	0	0	x^2/b^2			
EF b	0	0	0	0	0	0	0+0	0	
FE b	0	0	0	0	0	0			
FG b	0	0	0	0	0	0	0+0	0	
GF b	0	0	0	0	0	0			
GC b	0	0	$-Fb/EJ$	0	0	0	0+0	0	
CG b	0	0	Fb/EJ	0	0	0			
HG b	0	0	0	0	0	0	0+0	0	
GH b	0	0	0	0	0	0			
HB b	0	$-1/2Fb+Fx-1/2qx^2$	0	0	0	0	0+0	0	
BH b	0	$1/2qx^2$	0	0	0	0			
HE b	0	$1/2Fb-Fx+1/2qx^2$	0	0	0	0	0+0	0	
EH b	0	$-1/2qx^2$	0	0	0	0			
AB	molla asta $-W_{1AB}(W_{0AB}+XW_{1AB})/k_{AB}$								$1/4Xb/EJ$
	totali							$7/24Fb^2/EJ$	$35/12Xb/EJ$
	iperstatica $X=W_{AB}$							$-1/10Fb$	

Sviluppi di calcolo iperstatica

$$L_{AB}^{xx} = \int_0^b (1 - 2x/b + x^2/b^2) \cdot 1/EJ \, dx + 1 \cdot 1/4 \cdot b/EJ = \left[x - x^2/b + 1/3 x^3/b^2 \right]_0^b \cdot 1/EJ + 1 \cdot 1/4 \cdot b/EJ$$

$$= (b - b + 1/3 b) \cdot 1/EJ + 1 \cdot 1/4 \cdot b/EJ = 7/12 \cdot b/EJ$$

$$L_{BA}^{xx} = \int_0^b (x^2/b^2) \cdot 1/EJ \, dx + 1 \cdot 1/4 \cdot b/EJ = \left[1/3 x^3/b^2 \right]_0^b \cdot 1/EJ + 1 \cdot 1/4 \cdot b/EJ$$

$$= (1/3 b) \cdot 1/EJ + 1 \cdot 1/4 \cdot b/EJ = 7/12 \cdot b/EJ$$

$$L_{AD}^{xx} = \int_0^{2b} (1) \cdot 1/EJ \, dx = \left[x \right]_0^{2b} \cdot 1/EJ$$

$$= (2b) \cdot 1/EJ = 2 \cdot b/EJ$$

$$L_{DA}^{xx} = \int_0^{2b} (1) \cdot 1/EJ \, dx = \left[x \right]_0^{2b} \cdot 1/EJ$$

$$= (2b) \cdot 1/EJ = 2 \cdot b/EJ$$

$$L_{DE}^{xx} = \int_0^b (1 - 2x/b + x^2/b^2) \cdot 1/EJ \, dx = \left[x - x^2/b + 1/3 x^3/b^2 \right]_0^b \cdot 1/EJ$$

$$= (b - b + 1/3 b) \cdot 1/EJ = 1/3 \cdot b/EJ$$

$$L_{ED}^{xx} = \int_0^b (x^2/b^2) \cdot 1/EJ \, dx = \left[1/3 x^3/b^2 \right]_0^b \cdot 1/EJ$$

$$= (1/3 b) \cdot 1/EJ = 1/3 \cdot b/EJ$$

$$L_{AB}^{xo} = \int_0^b (3/2 x/b - x^2/b^2 - 1/2 x^3/b^3) \cdot Fb \cdot 1/EJ \, dx + 1 \cdot 0 \cdot 1/4 \cdot Fb^2/EJ$$

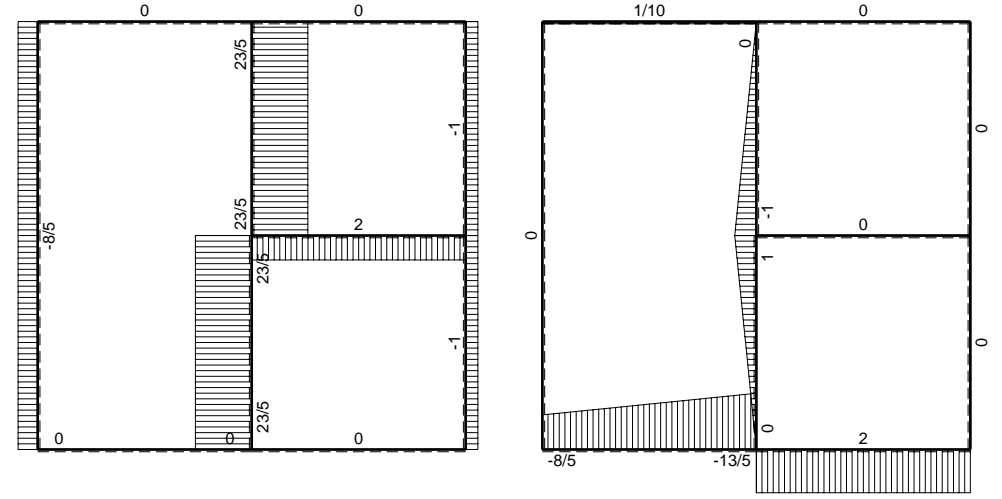
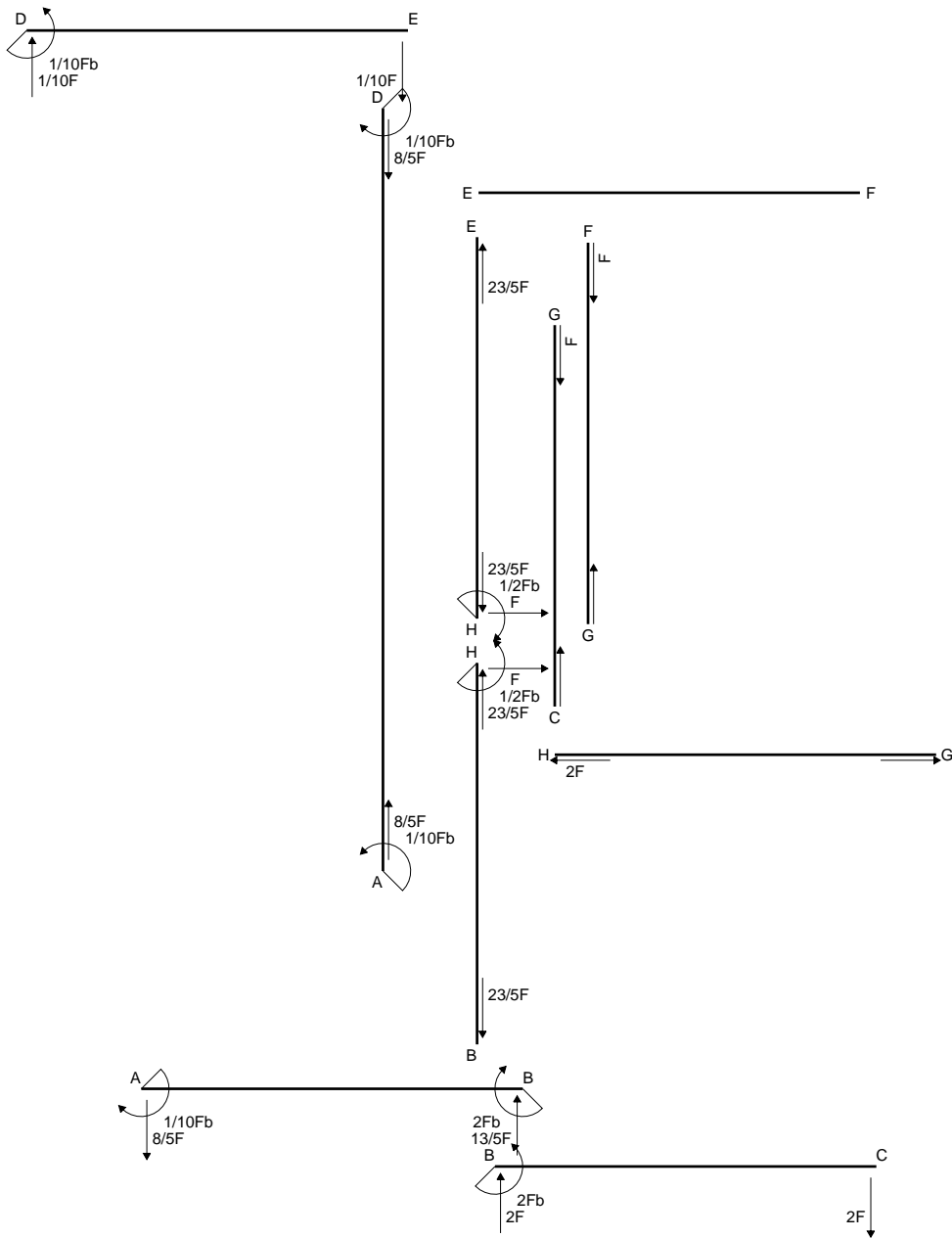
$$= \left[3/4 x^2/b - 1/3 x^3/b^2 - 1/8 x^4/b^3 \right]_0^b \cdot Fb \cdot 1/EJ + 1 \cdot 0 \cdot 1/4 \cdot Fb^2/EJ$$

$$= (3/4 b - 1/3 b - 1/8 b) \cdot Fb \cdot 1/EJ + 1 \cdot 0 \cdot 1/4 \cdot Fb^2/EJ = 7/24 \cdot Fb^2/EJ$$

$$L_{BA}^{xo} = \int_0^b (2x/b - 5/2 x^2/b^2 + 1/2 x^3/b^3) \cdot Fb \cdot 1/EJ \, dx + 1 \cdot 0 \cdot 1/4 \cdot Fb^2/EJ$$

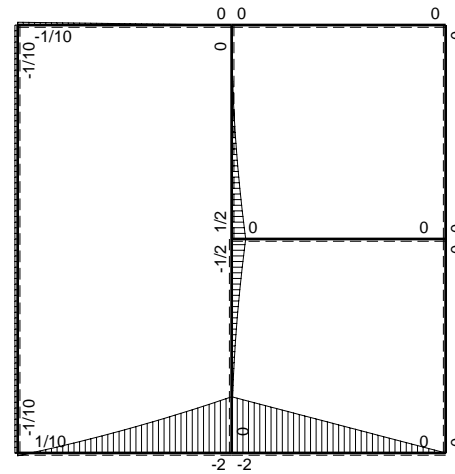
$$= \left[x^2/b - 5/6 x^3/b^2 + 1/8 x^4/b^3 \right]_0^b \cdot Fb \cdot 1/EJ + 1 \cdot 0 \cdot 1/4 \cdot Fb^2/EJ$$

$$= (b - 5/6 b + 1/8 b) \cdot Fb \cdot 1/EJ + 1 \cdot 0 \cdot 1/4 \cdot Fb^2/EJ = 7/24 \cdot Fb^2/EJ$$

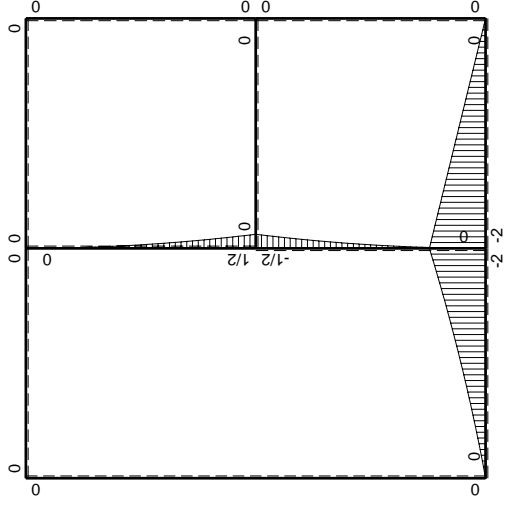
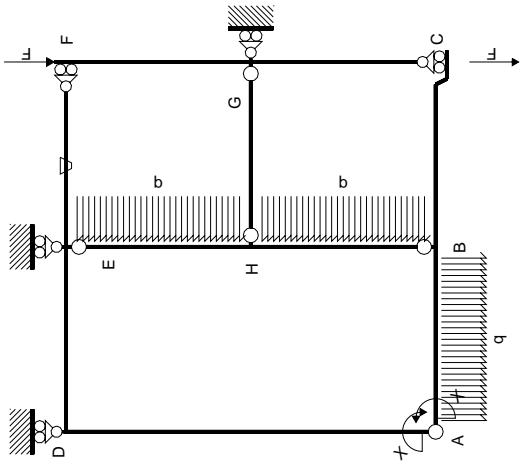


← ⊕ → F

↑ ⊕ ↓ F

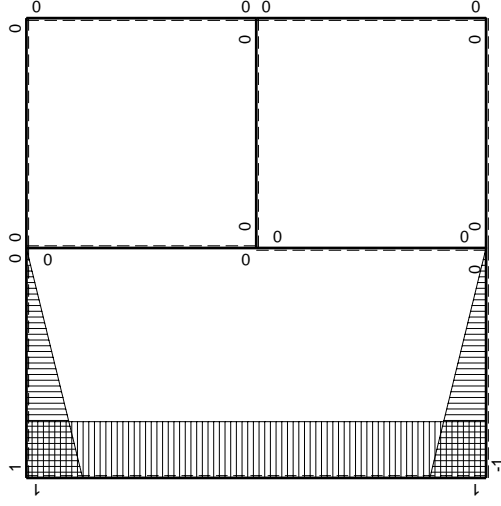


⊕ ⊖ Fb



Schema di calcolo iperstatico

M_0 flessione da carichi assegnati



M_x flessione da iperstatica $X=1$

Quadro contributi PLV per iperstatica $X=W_{AB}$

→	$M_x(x)$	$M_o(x)$	θ	$M_x M_o$	$M_x \theta$	$M_x M_x$	$\int M_x(M_o/EJ+\theta)dx$	$\int X M_x M_x/EJ dx$	
AB b	$-1+x/b$	$-3/2Fx-1/2qx^2$	0	$3/2Fx-Fx^2/b-1/2qx^3/b$	0	$1-2x/b+x^2/b^2$	$(7/24+0)Fb^2/EJ$	$1/3Xb/EJ$	
BA b	x/b	$2Fb-5/2Fx+1/2qx^2$	0	$2Fx-5/2Fx^2/b+1/2qx^3/b$	0	x^2/b^2			
BC b	0	$-2Fb+2Fx$	0	0	0	0	0+0	0	
CB b	0	$2Fx$	0	0	0	0			
AD 2b	1	0	0	0	0	1	0+0	$2Xb/EJ$	
DA 2b	-1	0	0	0	0	1			
DE b	$1-x/b$	0	0	0	0	$1-2x/b+x^2/b^2$	0+0	$1/3Xb/EJ$	
ED b	$-x/b$	0	0	0	0	x^2/b^2			
EF b	0	0	$-Fb/EJ$	0	0	0	0+0	0	
FE b	0	0	Fb/EJ	0	0	0			
FG b	0	0	0	0	0	0	0+0	0	
GF b	0	0	0	0	0	0			
GC b	0	0	0	0	0	0	0+0	0	
CG b	0	0	0	0	0	0			
HG b	0	0	0	0	0	0	0+0	0	
GH b	0	0	0	0	0	0			
HB b	0	$-1/2Fb+Fx-1/2qx^2$	0	0	0	0	0+0	0	
BH b	0	$1/2qx^2$	0	0	0	0			
HE b	0	$1/2Fb-Fx+1/2qx^2$	0	0	0	0	0+0	0	
EH b	0	$-1/2qx^2$	0	0	0	0			
AB	molla asta $-W_{1AB}(W_{0AB}+XW_{1AB})/k_{AB}$								$1/4Xb/EJ$
	totali							$7/24Fb^2/EJ$	$35/12Xb/EJ$
	iperstatica $X=W_{AB}$							$-1/10Fb$	

Sviluppi di calcolo iperstatica

$$L_{AB}^{xx} = \int_0^b (1 - 2x/b + x^2/b^2) \frac{1}{EJ} dx + 1 \cdot 1 \cdot \frac{1}{4} \frac{b}{EJ} = \left[x - \frac{x^2}{b} + \frac{1}{3} \frac{x^3}{b^2} \right]_0^b \frac{1}{EJ} + 1 \cdot 1 \cdot \frac{1}{4} \frac{b}{EJ}$$

$$= (b - b + \frac{1}{3}b) \frac{1}{EJ} + 1 \cdot 1 \cdot \frac{1}{4} \frac{b}{EJ} = \frac{7}{12} \frac{b}{EJ}$$

$$L_{BA}^{xx} = \int_0^b (x^2/b^2) \frac{1}{EJ} dx + 1 \cdot 1 \cdot \frac{1}{4} \frac{b}{EJ} = \left[\frac{1}{3} \frac{x^3}{b^2} \right]_0^b \frac{1}{EJ} + 1 \cdot 1 \cdot \frac{1}{4} \frac{b}{EJ}$$

$$= (\frac{1}{3}b) \frac{1}{EJ} + 1 \cdot 1 \cdot \frac{1}{4} \frac{b}{EJ} = \frac{7}{12} \frac{b}{EJ}$$

$$L_{AD}^{xx} = \int_0^{2b} (1) \frac{1}{EJ} dx = \left[x \right]_0^{2b} \frac{1}{EJ}$$

$$= (2b) \frac{1}{EJ} = 2 \frac{b}{EJ}$$

$$L_{DA}^{xx} = \int_0^{2b} (1) \frac{1}{EJ} dx = \left[x \right]_0^{2b} \frac{1}{EJ}$$

$$= (2b) \frac{1}{EJ} = 2 \frac{b}{EJ}$$

$$L_{DE}^{xx} = \int_0^b (1 - 2x/b + x^2/b^2) \frac{1}{EJ} dx = \left[x - \frac{x^2}{b} + \frac{1}{3} \frac{x^3}{b^2} \right]_0^b \frac{1}{EJ}$$

$$= (b - b + \frac{1}{3}b) \frac{1}{EJ} = \frac{1}{3} \frac{b}{EJ}$$

$$L_{ED}^{xx} = \int_0^b (x^2/b^2) \frac{1}{EJ} dx = \left[\frac{1}{3} \frac{x^3}{b^2} \right]_0^b \frac{1}{EJ}$$

$$= (\frac{1}{3}b) \frac{1}{EJ} = \frac{1}{3} \frac{b}{EJ}$$

$$L_{AB}^{xo} = \int_0^b (3/2 x/b - x^2/b^2 - 1/2 x^3/b^3) Fb \frac{1}{EJ} dx + 1 \cdot 0 \cdot \frac{1}{4} \frac{Fb^2}{EJ}$$

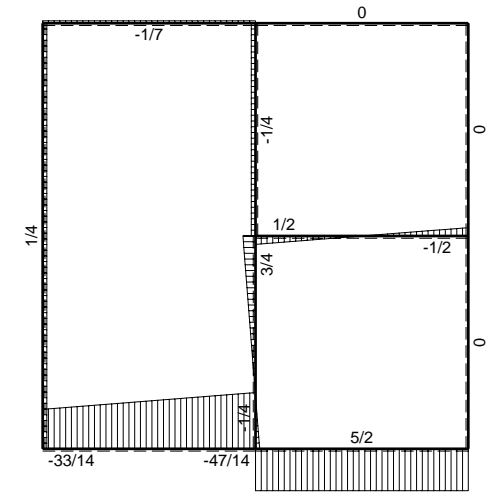
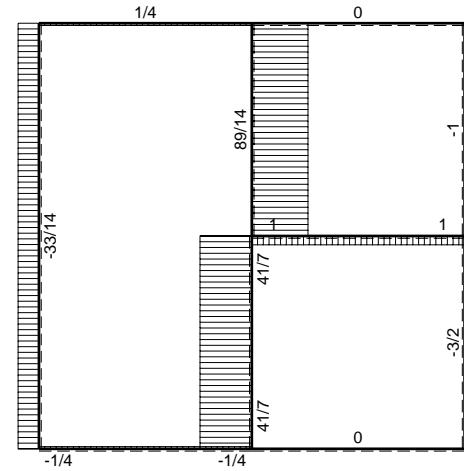
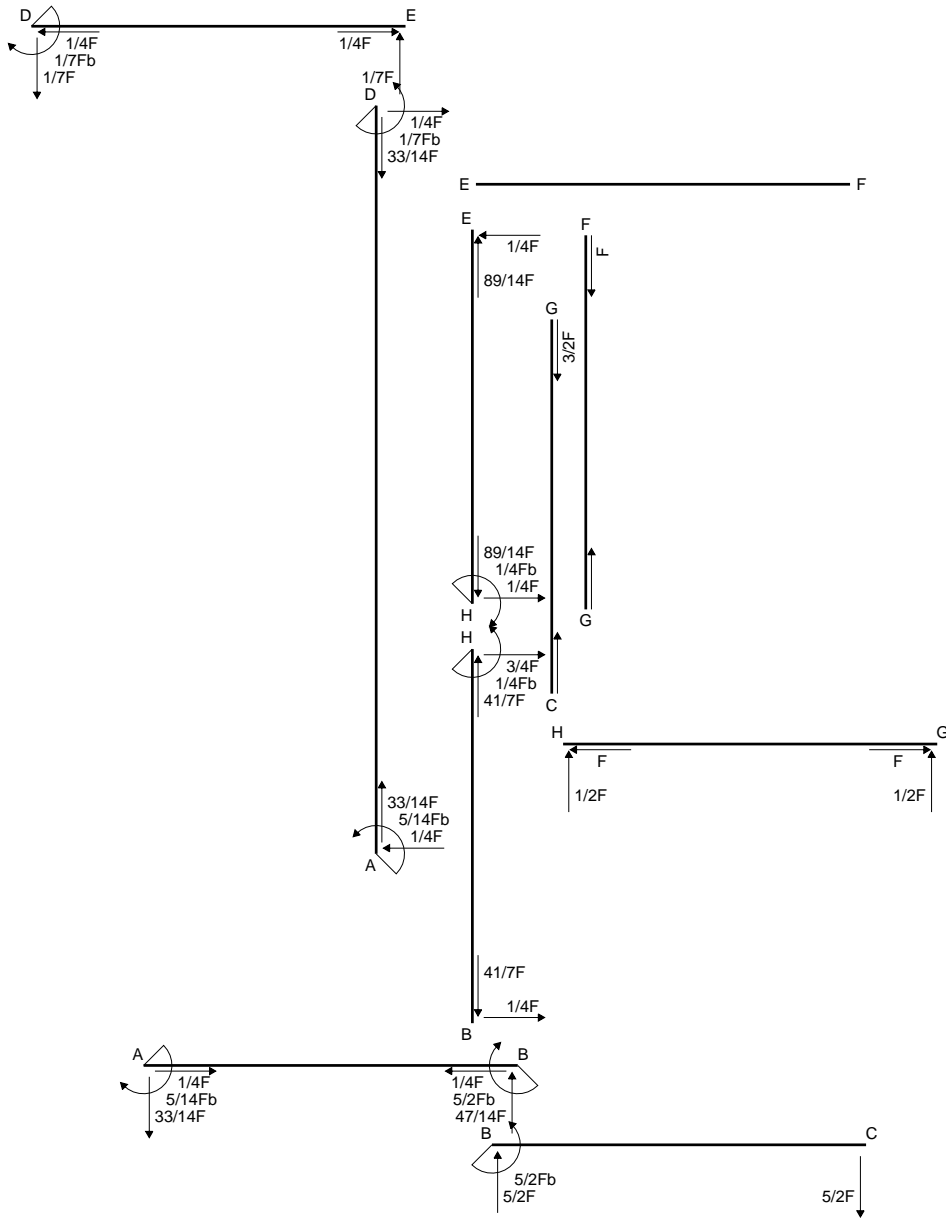
$$= \left[\frac{3}{4} \frac{x^2}{b} - \frac{1}{3} \frac{x^3}{b^2} - \frac{1}{8} \frac{x^4}{b^3} \right]_0^b Fb \frac{1}{EJ} + 1 \cdot 0 \cdot \frac{1}{4} \frac{Fb^2}{EJ}$$

$$= (\frac{3}{4}b - \frac{1}{3}b - \frac{1}{8}b) Fb \frac{1}{EJ} + 1 \cdot 0 \cdot \frac{1}{4} \frac{Fb^2}{EJ} = \frac{7}{24} \frac{Fb^2}{EJ}$$

$$L_{BA}^{xo} = \int_0^b (2x/b - 5/2 x^2/b^2 + 1/2 x^3/b^3) Fb \frac{1}{EJ} dx + 1 \cdot 0 \cdot \frac{1}{4} \frac{Fb^2}{EJ}$$

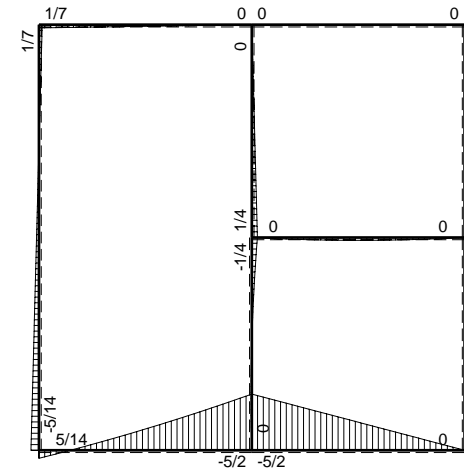
$$= \left[\frac{x^2}{b} - \frac{5}{6} \frac{x^3}{b^2} + \frac{1}{8} \frac{x^4}{b^3} \right]_0^b Fb \frac{1}{EJ} + 1 \cdot 0 \cdot \frac{1}{4} \frac{Fb^2}{EJ}$$

$$= (b - \frac{5}{6}b + \frac{1}{8}b) Fb \frac{1}{EJ} + 1 \cdot 0 \cdot \frac{1}{4} \frac{Fb^2}{EJ} = \frac{7}{24} \frac{Fb^2}{EJ}$$

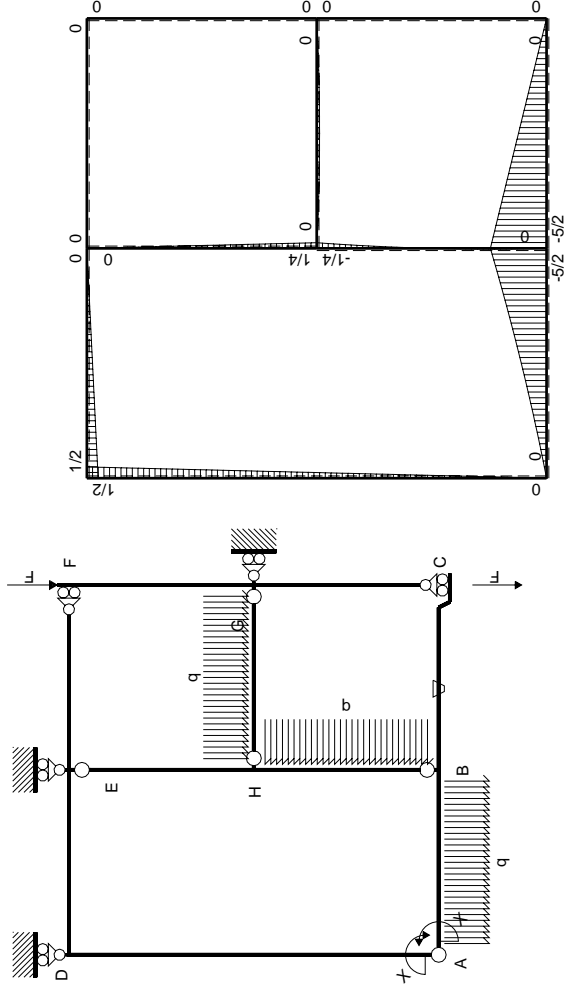


← ⊕ → F

↑ ⊕ ↓ F

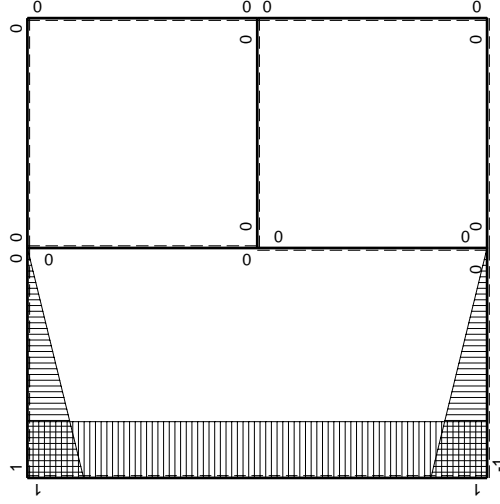


⊕ ⊖ F_b



Schema di calcolo iperstatico

M_0 flessione da carichi assegnati



M_x flessione da iperstatica $X=1$

Quadro contributi PLV per iperstatica $X=W_{AB}$

→	$M_x(x)$	$M_o(x)$	θ	$M_x M_o$	$M_x \theta$	$M_x M_x$	$\int M_x(M_o/EJ+\theta)dx$	$\int X M_x M_x/EJ dx$	
AB b	$-1+x/b$	$-2Fx-1/2qx^2$	0	$2Fx-3/2Fx^2/b-1/2qx^3/b$	0	$1-2x/b+x^2/b^2$	$(3/8+0)Fb^2/EJ$	$1/3Xb/EJ$	
BA b	x/b	$5/2Fb-3Fx+1/2qx^2$	0	$5/2Fx-3Fx^2/b+1/2qx^3/b$	0	x^2/b^2			
BC b	0	$-5/2Fb+5/2Fx$	$-Fb/EJ$	0	0	0	0+0	0	
CB b	0	$5/2Fx$	Fb/EJ	0	0	0			
AD 2b	1	$1/4Fx$	0	$1/4Fx$	0	1	$(1/2+0)Fb^2/EJ$	$2Xb/EJ$	
DA 2b	-1	$-1/2Fb+1/4Fx$	0	$1/2Fb-1/4Fx$	0	1			
DE b	$1-x/b$	$1/2Fb-1/2Fx$	0	$1/2Fb-Fx+1/2Fx^2/b$	0	$1-2x/b+x^2/b^2$	$(1/6+0)Fb^2/EJ$	$1/3Xb/EJ$	
ED b	$-x/b$	$-1/2Fx$	0	$1/2Fx^2/b$	0	x^2/b^2			
EF b	0	0	0	0	0	0	0+0	0	
FE b	0	0	0	0	0	0			
FG b	0	0	0	0	0	0	0+0	0	
GF b	0	0	0	0	0	0			
GC b	0	0	0	0	0	0	0+0	0	
CG b	0	0	0	0	0	0			
HG b	0	$1/2Fx-1/2qx^2$	0	0	0	0	0+0	0	
GH b	0	$-1/2Fx+1/2qx^2$	0	0	0	0			
HB b	0	$-1/4Fb+3/4Fx-1/2qx^2$	0	0	0	0	0+0	0	
BH b	0	$-1/4Fx+1/2qx^2$	0	0	0	0			
HE b	0	$1/4Fb-1/4Fx$	0	0	0	0	0+0	0	
EH b	0	$-1/4Fx$	0	0	0	0			
AB	molla asta $-W_{1AB}(W_{0AB}+XW_{1AB})/k_{AB}$								$1/4Xb/EJ$
	totali							$25/24Fb^2/EJ$	$35/12Xb/EJ$
	iperstatica $X=W_{AB}$							$-5/14Fb$	

Sviluppi di calcolo iperstatica

$$L_{AB}^{xx} = \int_0^b (1 - 2x/b + x^2/b^2) \cdot 1/EJ \, dx + 1 \cdot 1/4 \cdot b/EJ = \left[x - x^2/b + 1/3 x^3/b^2 \right]_0^b \cdot 1/EJ + 1 \cdot 1/4 \cdot b/EJ$$

$$= (b - b + 1/3 b) \cdot 1/EJ + 1 \cdot 1/4 \cdot b/EJ = 7/12 \cdot b/EJ$$

$$L_{BA}^{xx} = \int_0^b (x^2/b^2) \cdot 1/EJ \, dx + 1 \cdot 1/4 \cdot b/EJ = \left[1/3 x^3/b^2 \right]_0^b \cdot 1/EJ + 1 \cdot 1/4 \cdot b/EJ$$

$$= (1/3 b) \cdot 1/EJ + 1 \cdot 1/4 \cdot b/EJ = 7/12 \cdot b/EJ$$

$$L_{AD}^{xx} = \int_0^{2b} (1) \cdot 1/EJ \, dx = \left[x \right]_0^{2b} \cdot 1/EJ$$

$$= (2b) \cdot 1/EJ = 2 \cdot b/EJ$$

$$L_{DA}^{xx} = \int_0^{2b} (1) \cdot 1/EJ \, dx = \left[x \right]_0^{2b} \cdot 1/EJ$$

$$= (2b) \cdot 1/EJ = 2 \cdot b/EJ$$

$$L_{DE}^{xx} = \int_0^b (1 - 2x/b + x^2/b^2) \cdot 1/EJ \, dx = \left[x - x^2/b + 1/3 x^3/b^2 \right]_0^b \cdot 1/EJ$$

$$= (b - b + 1/3 b) \cdot 1/EJ = 1/3 \cdot b/EJ$$

$$L_{ED}^{xx} = \int_0^b (x^2/b^2) \cdot 1/EJ \, dx = \left[1/3 x^3/b^2 \right]_0^b \cdot 1/EJ$$

$$= (1/3 b) \cdot 1/EJ = 1/3 \cdot b/EJ$$

$$L_{AB}^{xo} = \int_0^b (2x/b - 3/2 x^2/b^2 - 1/2 x^3/b^3) \cdot Fb \cdot 1/EJ \, dx + 1 \cdot 0 \cdot 1/4 \cdot Fb^2/EJ$$

$$= \left[x^2/b - 1/2 x^3/b^2 - 1/8 x^4/b^3 \right]_0^b \cdot Fb \cdot 1/EJ + 1 \cdot 0 \cdot 1/4 \cdot Fb^2/EJ$$

$$= (b - 1/2 b - 1/8 b) \cdot Fb \cdot 1/EJ + 1 \cdot 0 \cdot 1/4 \cdot Fb^2/EJ = 3/8 \cdot Fb^2/EJ$$

$$L_{BA}^{xo} = \int_0^b (5/2 x/b - 3 x^2/b^2 + 1/2 x^3/b^3) \cdot Fb \cdot 1/EJ \, dx + 1 \cdot 0 \cdot 1/4 \cdot Fb^2/EJ$$

$$= \left[5/4 x^2/b - x^3/b^2 + 1/8 x^4/b^3 \right]_0^b \cdot Fb \cdot 1/EJ + 1 \cdot 0 \cdot 1/4 \cdot Fb^2/EJ$$

$$= (5/4 b - b + 1/8 b) \cdot Fb \cdot 1/EJ + 1 \cdot 0 \cdot 1/4 \cdot Fb^2/EJ = 3/8 \cdot Fb^2/EJ$$

$$L_{AD}^{xo} = \int_0^{2b} (1/4 x/b) \cdot Fb \cdot 1/EJ \, dx = \left[1/8 x^2/b \right]_0^{2b} \cdot Fb \cdot 1/EJ$$

$$= (1/2 b) \cdot Fb \cdot 1/EJ = 1/2 \cdot Fb^2/EJ$$

$$L_{DA}^{xo} = \int_0^{2b} (1/2 - 1/4 x/b) \cdot Fb \cdot 1/EJ \, dx = \left[1/2 x - 1/8 x^2/b \right]_0^{2b} \cdot Fb \cdot 1/EJ$$

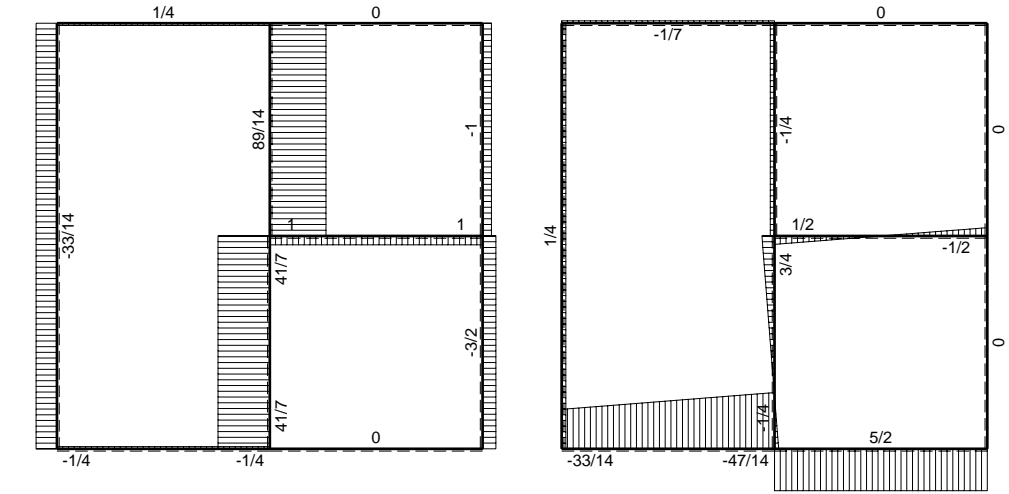
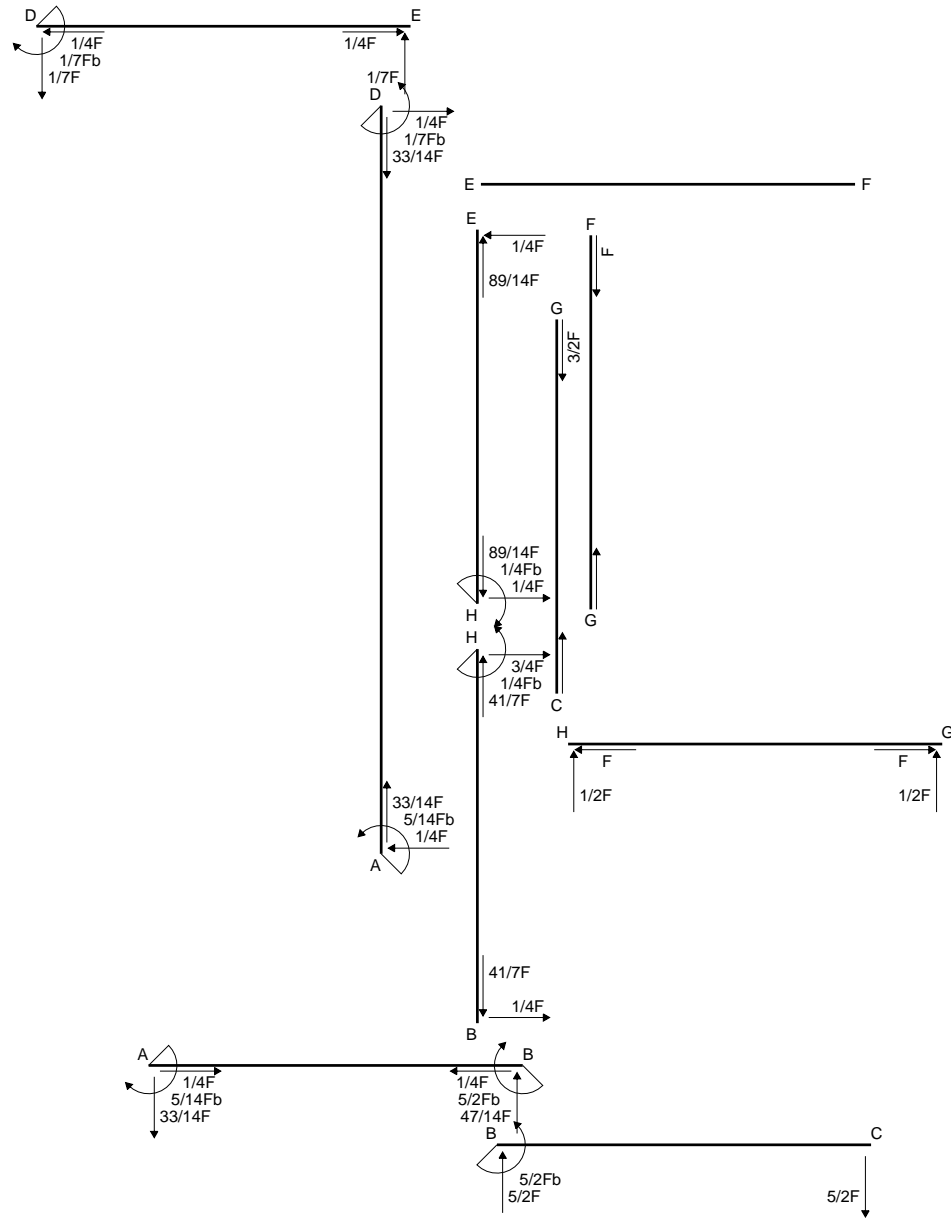
$$= (b - 1/2 b) \cdot Fb \cdot 1/EJ = 1/2 \cdot Fb^2/EJ$$

$$L_{DE}^{xo} = \int_0^b (1/2 - x/b + 1/2 x^2/b^2) \cdot Fb \cdot 1/EJ \, dx = \left[1/2 x - 1/2 x^2/b + 1/6 x^3/b^2 \right]_0^b \cdot Fb \cdot 1/EJ$$

$$= (1/2 b - 1/2 b + 1/6 b) \cdot Fb \cdot 1/EJ = 1/6 \cdot Fb^2/EJ$$

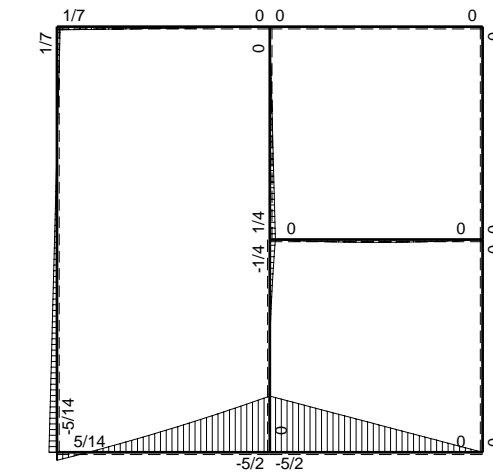
$$L_{ED}^{xo} = \int_0^b (1/2 x^2/b^2) \cdot Fb \cdot 1/EJ \, dx = \left[1/6 x^3/b^2 \right]_0^b \cdot Fb \cdot 1/EJ$$

$$= (1/6 b) \cdot Fb \cdot 1/EJ = 1/6 \cdot Fb^2/EJ$$

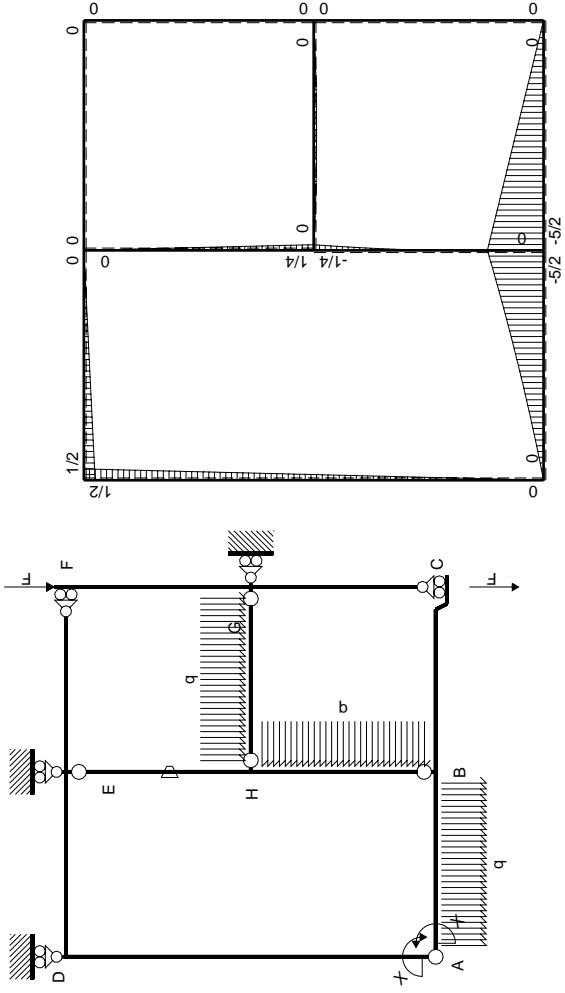


← ⊕ → F

↑ ⊕ ↓ F

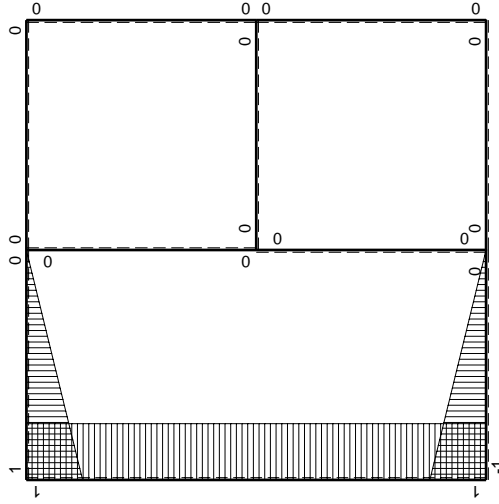


⊕ ⊖ Fb



Schema di calcolo iperstatico

M_0 flessione da carichi assegnati



M_X flessione da iperstatica $X=1$

Quadro contributi PLV per iperstatica $X=W_{AB}$

→	$M_x(x)$	$M_o(x)$	θ	$M_x M_o$	$M_x \theta$	$M_x M_x$	$\int M_x(M_o/EJ+\theta)dx$	$\int X M_x M_x/EJdx$
AB b	$-1+x/b$	$-2Fx-1/2qx^2$	0	$2Fx-3/2Fx^2/b-1/2qx^3/b$	0	$1-2x/b+x^2/b^2$	$(3/8+0)Fb^2/EJ$	$1/3Xb/EJ$
BA b	x/b	$5/2Fb-3Fx+1/2qx^2$	0	$5/2Fx-3Fx^2/b+1/2qx^3/b$	0	x^2/b^2		
BC b	0	$-5/2Fb+5/2Fx$	0	0	0	0	0+0	0
CB b	0	$5/2Fx$	0	0	0	0		
AD 2b	1	$1/4Fx$	0	$1/4Fx$	0	1	$(1/2+0)Fb^2/EJ$	$2Xb/EJ$
DA 2b	-1	$-1/2Fb+1/4Fx$	0	$1/2Fb-1/4Fx$	0	1		
DE b	$1-x/b$	$1/2Fb-1/2Fx$	0	$1/2Fb-Fx+1/2Fx^2/b$	0	$1-2x/b+x^2/b^2$	$(1/6+0)Fb^2/EJ$	$1/3Xb/EJ$
ED b	$-x/b$	$-1/2Fx$	0	$1/2Fx^2/b$	0	x^2/b^2		
EF b	0	0	0	0	0	0	0+0	0
FE b	0	0	0	0	0	0		
FG b	0	0	0	0	0	0	0+0	0
GF b	0	0	0	0	0	0		
GC b	0	0	0	0	0	0	0+0	0
CG b	0	0	0	0	0	0		
HG b	0	$1/2Fx-1/2qx^2$	0	0	0	0	0+0	0
GH b	0	$-1/2Fx+1/2qx^2$	0	0	0	0		
HB b	0	$-1/4Fb+3/4Fx-1/2qx^2$	0	0	0	0	0+0	0
BH b	0	$-1/4Fx+1/2qx^2$	0	0	0	0		
HE b	0	$1/4Fb-1/4Fx$	$-Fb/EJ$	0	0	0	0+0	0
EH b	0	$-1/4Fx$	Fb/EJ	0	0	0		
AB	molla asta $-W_{1AB}(W_{0AB}+XW_{1AB})/k_{AB}$							$1/4Xb/EJ$
	totali						$25/24Fb^2/EJ$	$35/12Xb/EJ$
	iperstatica $X=W_{AB}$						$-5/14Fb$	

Sviluppi di calcolo iperstatica

$$L_{AB}^{xx} = \int_0^b (1 - 2x/b + x^2/b^2) \cdot 1/EJ \, dx + 1 \cdot 1/4 \cdot b/EJ = \left[x - x^2/b + 1/3 x^3/b^2 \right]_0^b \cdot 1/EJ + 1 \cdot 1/4 \cdot b/EJ$$

$$= (b - b + 1/3 b) \cdot 1/EJ + 1 \cdot 1/4 \cdot b/EJ = 7/12 \cdot b/EJ$$

$$L_{BA}^{xx} = \int_0^b (x^2/b^2) \cdot 1/EJ \, dx + 1 \cdot 1/4 \cdot b/EJ = \left[1/3 x^3/b^2 \right]_0^b \cdot 1/EJ + 1 \cdot 1/4 \cdot b/EJ$$

$$= (1/3 b) \cdot 1/EJ + 1 \cdot 1/4 \cdot b/EJ = 7/12 \cdot b/EJ$$

$$L_{AD}^{xx} = \int_0^{2b} (1) \cdot 1/EJ \, dx = \left[x \right]_0^{2b} \cdot 1/EJ$$

$$= (2b) \cdot 1/EJ = 2 \cdot b/EJ$$

$$L_{DA}^{xx} = \int_0^{2b} (1) \cdot 1/EJ \, dx = \left[x \right]_0^{2b} \cdot 1/EJ$$

$$= (2b) \cdot 1/EJ = 2 \cdot b/EJ$$

$$L_{DE}^{xx} = \int_0^b (1 - 2x/b + x^2/b^2) \cdot 1/EJ \, dx = \left[x - x^2/b + 1/3 x^3/b^2 \right]_0^b \cdot 1/EJ$$

$$= (b - b + 1/3 b) \cdot 1/EJ = 1/3 \cdot b/EJ$$

$$L_{ED}^{xx} = \int_0^b (x^2/b^2) \cdot 1/EJ \, dx = \left[1/3 x^3/b^2 \right]_0^b \cdot 1/EJ$$

$$= (1/3 b) \cdot 1/EJ = 1/3 \cdot b/EJ$$

$$L_{AB}^{xo} = \int_0^b (2x/b - 3/2 x^2/b^2 - 1/2 x^3/b^3) \cdot Fb \cdot 1/EJ \, dx + 1 \cdot 0 \cdot 1/4 \cdot Fb^2/EJ$$

$$= \left[x^2/b - 1/2 x^3/b^2 - 1/8 x^4/b^3 \right]_0^b \cdot Fb \cdot 1/EJ + 1 \cdot 0 \cdot 1/4 \cdot Fb^2/EJ$$

$$= (b - 1/2 b - 1/8 b) \cdot Fb \cdot 1/EJ + 1 \cdot 0 \cdot 1/4 \cdot Fb^2/EJ = 3/8 \cdot Fb^2/EJ$$

$$L_{BA}^{xo} = \int_0^b (5/2 x/b - 3 x^2/b^2 + 1/2 x^3/b^3) \cdot Fb \cdot 1/EJ \, dx + 1 \cdot 0 \cdot 1/4 \cdot Fb^2/EJ$$

$$= \left[5/4 x^2/b - x^3/b^2 + 1/8 x^4/b^3 \right]_0^b \cdot Fb \cdot 1/EJ + 1 \cdot 0 \cdot 1/4 \cdot Fb^2/EJ$$

$$= (5/4 b - b + 1/8 b) \cdot Fb \cdot 1/EJ + 1 \cdot 0 \cdot 1/4 \cdot Fb^2/EJ = 3/8 \cdot Fb^2/EJ$$

$$L_{AD}^{xo} = \int_0^{2b} (1/4 x/b) \cdot Fb \cdot 1/EJ \, dx = \left[1/8 x^2/b \right]_0^{2b} \cdot Fb \cdot 1/EJ$$

$$= (1/2 b) \cdot Fb \cdot 1/EJ = 1/2 \cdot Fb^2/EJ$$

$$L_{DA}^{xo} = \int_0^{2b} (1/2 - 1/4 x/b) \cdot Fb \cdot 1/EJ \, dx = \left[1/2 x - 1/8 x^2/b \right]_0^{2b} \cdot Fb \cdot 1/EJ$$

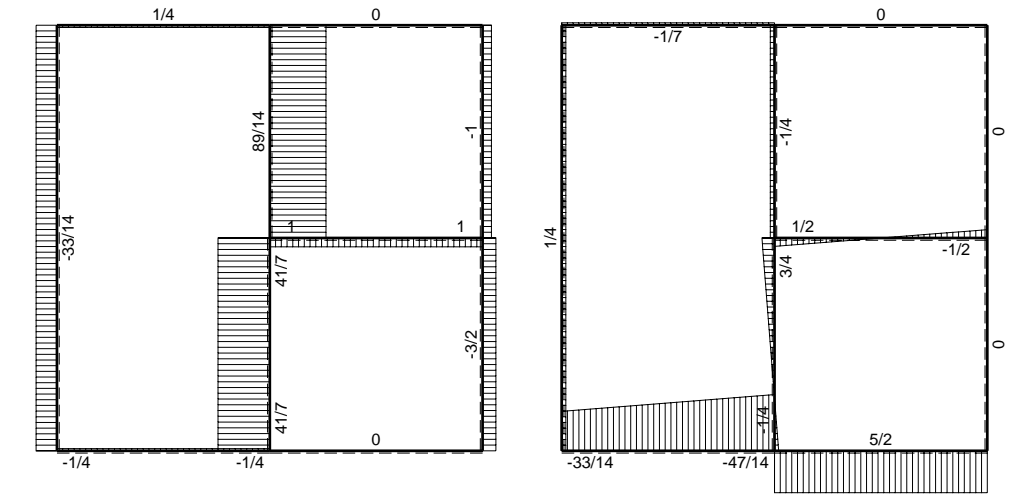
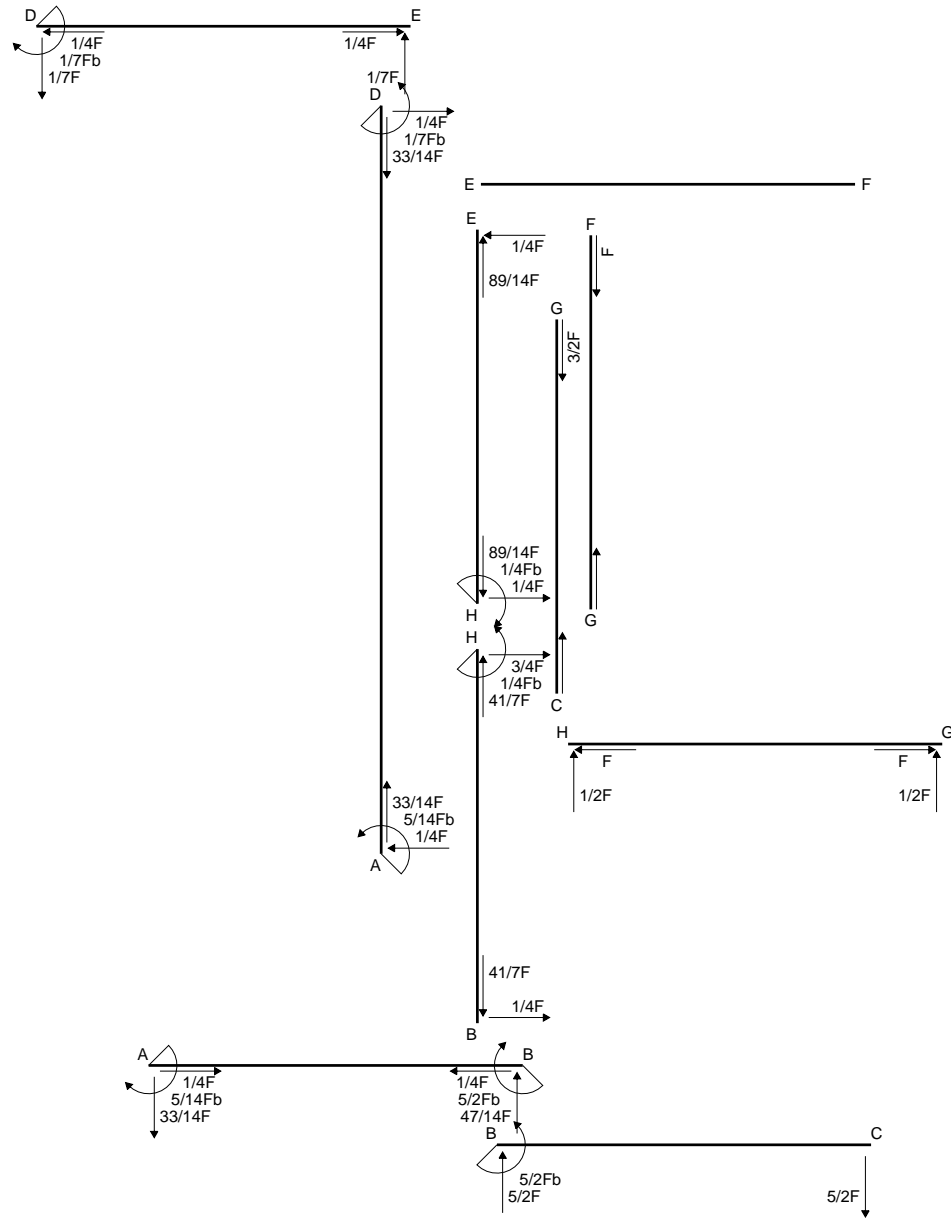
$$= (b - 1/2 b) \cdot Fb \cdot 1/EJ = 1/2 \cdot Fb^2/EJ$$

$$L_{DE}^{xo} = \int_0^b (1/2 - x/b + 1/2 x^2/b^2) \cdot Fb \cdot 1/EJ \, dx = \left[1/2 x - 1/2 x^2/b + 1/6 x^3/b^2 \right]_0^b \cdot Fb \cdot 1/EJ$$

$$= (1/2 b - 1/2 b + 1/6 b) \cdot Fb \cdot 1/EJ = 1/6 \cdot Fb^2/EJ$$

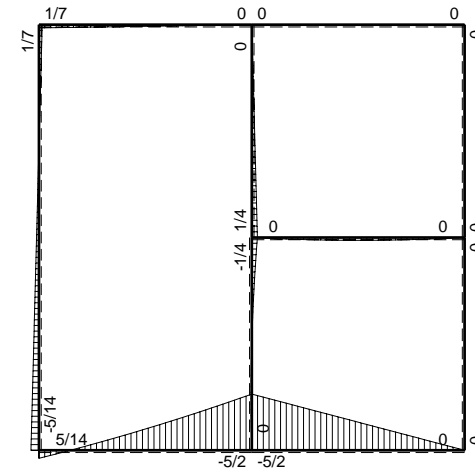
$$L_{ED}^{xo} = \int_0^b (1/2 x^2/b^2) \cdot Fb \cdot 1/EJ \, dx = \left[1/6 x^3/b^2 \right]_0^b \cdot Fb \cdot 1/EJ$$

$$= (1/6 b) \cdot Fb \cdot 1/EJ = 1/6 \cdot Fb^2/EJ$$

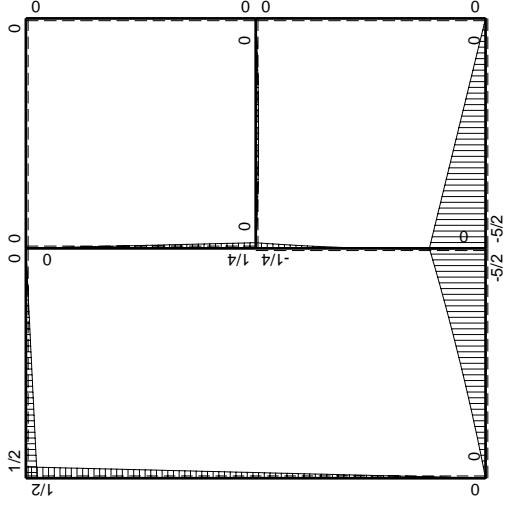
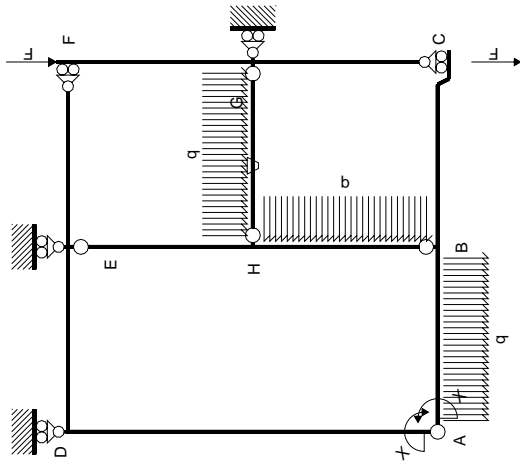


← ⊕ → F

↑ ⊕ ↓ F

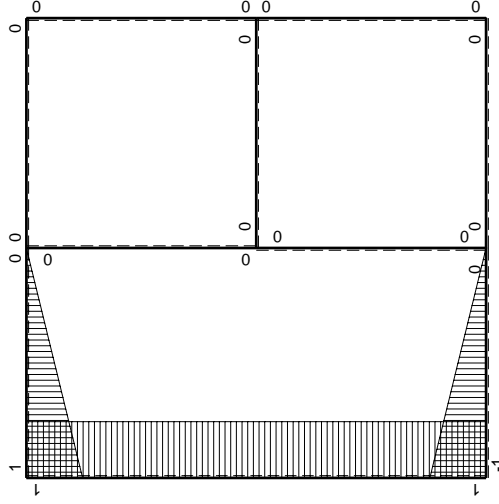


⊕ ↺ Fb



Schema di calcolo iperstatico

M_0 flessione da carichi assegnati



M_x flessione da iperstatica X=1

Quadro contributi PLV per iperstatica $X=W_{AB}$

→	$M_x(x)$	$M_o(x)$	θ	$M_x M_o$	$M_x \theta$	$M_x M_x$	$\int M_x(M_o/EJ+\theta)dx$	$\int X M_x M_x/EJ dx$
AB b	$-1+x/b$	$-2Fx-1/2qx^2$	0	$2Fx-3/2Fx^2/b-1/2qx^3/b$	0	$1-2x/b+x^2/b^2$	$(3/8+0)Fb^2/EJ$	$1/3Xb/EJ$
BA b	x/b	$5/2Fb-3Fx+1/2qx^2$	0	$5/2Fx-3Fx^2/b+1/2qx^3/b$	0	x^2/b^2		
BC b	0	$-5/2Fb+5/2Fx$	0	0	0	0	0+0	0
CB b	0	$5/2Fx$	0	0	0	0		
AD 2b	1	$1/4Fx$	0	$1/4Fx$	0	1	$(1/2+0)Fb^2/EJ$	$2Xb/EJ$
DA 2b	-1	$-1/2Fb+1/4Fx$	0	$1/2Fb-1/4Fx$	0	1		
DE b	$1-x/b$	$1/2Fb-1/2Fx$	0	$1/2Fb-Fx+1/2Fx^2/b$	0	$1-2x/b+x^2/b^2$	$(1/6+0)Fb^2/EJ$	$1/3Xb/EJ$
ED b	$-x/b$	$-1/2Fx$	0	$1/2Fx^2/b$	0	x^2/b^2		
EF b	0	0	0	0	0	0	0+0	0
FE b	0	0	0	0	0	0		
FG b	0	0	0	0	0	0	0+0	0
GF b	0	0	0	0	0	0		
GC b	0	0	0	0	0	0	0+0	0
CG b	0	0	0	0	0	0		
HG b	0	$1/2Fx-1/2qx^2$	$-Fb/EJ$	0	0	0	0+0	0
GH b	0	$-1/2Fx+1/2qx^2$	Fb/EJ	0	0	0		
HB b	0	$-1/4Fb+3/4Fx-1/2qx^2$	0	0	0	0	0+0	0
BH b	0	$-1/4Fx+1/2qx^2$	0	0	0	0		
HE b	0	$1/4Fb-1/4Fx$	0	0	0	0	0+0	0
EH b	0	$-1/4Fx$	0	0	0	0		
AB	molla asta $-W_{1AB}(W_{0AB}+XW_{1AB})/k_{AB}$							$1/4Xb/EJ$
	totali						$25/24Fb^2/EJ$	$35/12Xb/EJ$
	iperstatica $X=W_{AB}$						$-5/14Fb$	

Sviluppi di calcolo iperstatica

$$L_{AB}^{xx} = \int_0^b (1 - 2x/b + x^2/b^2) \cdot 1/EJ \, dx + 1 \cdot 1/4 \cdot b/EJ = \left[x - x^2/b + 1/3 x^3/b^2 \right]_0^b \cdot 1/EJ + 1 \cdot 1/4 \cdot b/EJ$$

$$= (b - b + 1/3 b) \cdot 1/EJ + 1 \cdot 1/4 \cdot b/EJ = 7/12 \cdot b/EJ$$

$$L_{BA}^{xx} = \int_0^b (x^2/b^2) \cdot 1/EJ \, dx + 1 \cdot 1/4 \cdot b/EJ = \left[1/3 x^3/b^2 \right]_0^b \cdot 1/EJ + 1 \cdot 1/4 \cdot b/EJ$$

$$= (1/3 b) \cdot 1/EJ + 1 \cdot 1/4 \cdot b/EJ = 7/12 \cdot b/EJ$$

$$L_{AD}^{xx} = \int_0^{2b} (1) \cdot 1/EJ \, dx = \left[x \right]_0^{2b} \cdot 1/EJ$$

$$= (2b) \cdot 1/EJ = 2 \cdot b/EJ$$

$$L_{DA}^{xx} = \int_0^{2b} (1) \cdot 1/EJ \, dx = \left[x \right]_0^{2b} \cdot 1/EJ$$

$$= (2b) \cdot 1/EJ = 2 \cdot b/EJ$$

$$L_{DE}^{xx} = \int_0^b (1 - 2x/b + x^2/b^2) \cdot 1/EJ \, dx = \left[x - x^2/b + 1/3 x^3/b^2 \right]_0^b \cdot 1/EJ$$

$$= (b - b + 1/3 b) \cdot 1/EJ = 1/3 \cdot b/EJ$$

$$L_{ED}^{xx} = \int_0^b (x^2/b^2) \cdot 1/EJ \, dx = \left[1/3 x^3/b^2 \right]_0^b \cdot 1/EJ$$

$$= (1/3 b) \cdot 1/EJ = 1/3 \cdot b/EJ$$

$$L_{AB}^{xo} = \int_0^b (2x/b - 3/2 x^2/b^2 - 1/2 x^3/b^3) \cdot Fb \cdot 1/EJ \, dx + 1 \cdot 0 \cdot 1/4 \cdot Fb^2/EJ$$

$$= \left[x^2/b - 1/2 x^3/b^2 - 1/8 x^4/b^3 \right]_0^b \cdot Fb \cdot 1/EJ + 1 \cdot 0 \cdot 1/4 \cdot Fb^2/EJ$$

$$= (b - 1/2 b - 1/8 b) \cdot Fb \cdot 1/EJ + 1 \cdot 0 \cdot 1/4 \cdot Fb^2/EJ = 3/8 \cdot Fb^2/EJ$$

$$L_{BA}^{xo} = \int_0^b (5/2 x/b - 3 x^2/b^2 + 1/2 x^3/b^3) \cdot Fb \cdot 1/EJ \, dx + 1 \cdot 0 \cdot 1/4 \cdot Fb^2/EJ$$

$$= \left[5/4 x^2/b - x^3/b^2 + 1/8 x^4/b^3 \right]_0^b \cdot Fb \cdot 1/EJ + 1 \cdot 0 \cdot 1/4 \cdot Fb^2/EJ$$

$$= (5/4 b - b + 1/8 b) \cdot Fb \cdot 1/EJ + 1 \cdot 0 \cdot 1/4 \cdot Fb^2/EJ = 3/8 \cdot Fb^2/EJ$$

$$L_{AD}^{xo} = \int_0^{2b} (1/4 x/b) \cdot Fb \cdot 1/EJ \, dx = \left[1/8 x^2/b \right]_0^{2b} \cdot Fb \cdot 1/EJ$$

$$= (1/2 b) \cdot Fb \cdot 1/EJ = 1/2 \cdot Fb^2/EJ$$

$$L_{DA}^{xo} = \int_0^{2b} (1/2 - 1/4 x/b) \cdot Fb \cdot 1/EJ \, dx = \left[1/2 x - 1/8 x^2/b \right]_0^{2b} \cdot Fb \cdot 1/EJ$$

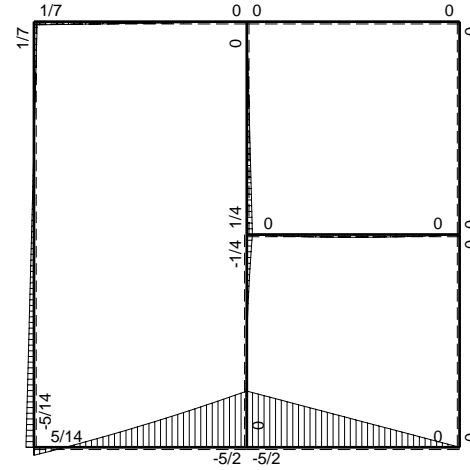
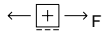
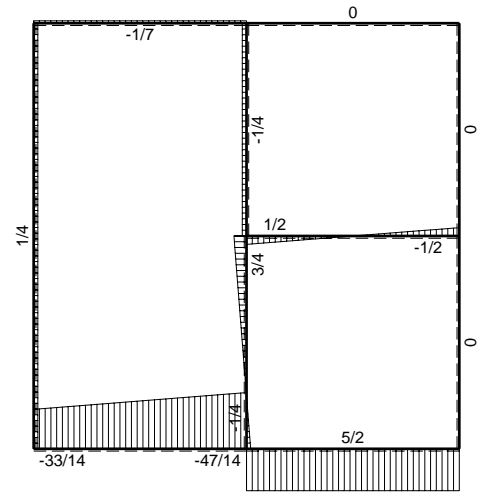
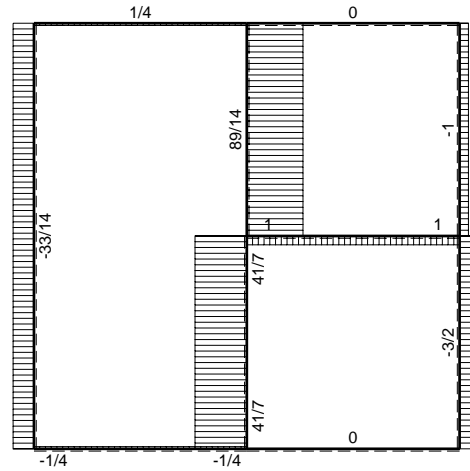
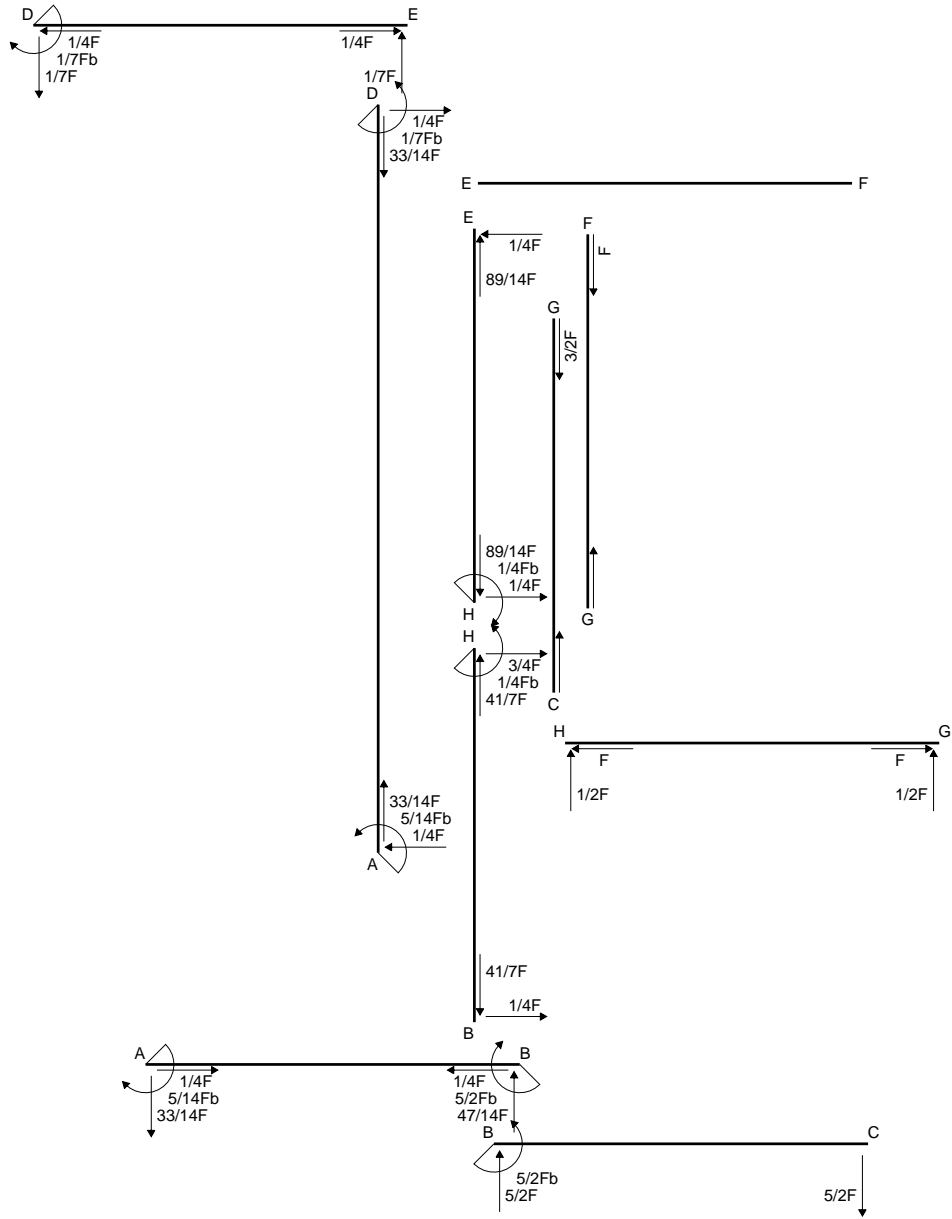
$$= (b - 1/2 b) \cdot Fb \cdot 1/EJ = 1/2 \cdot Fb^2/EJ$$

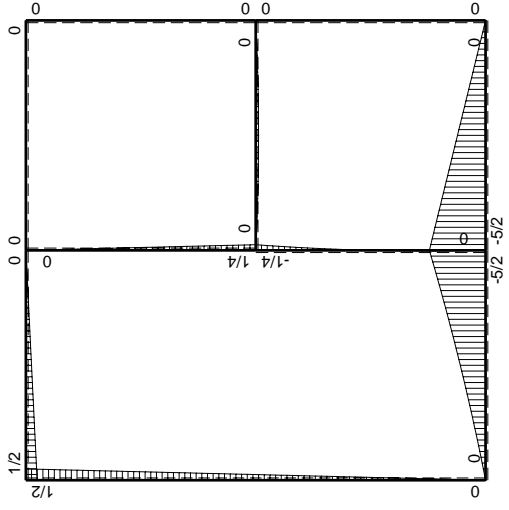
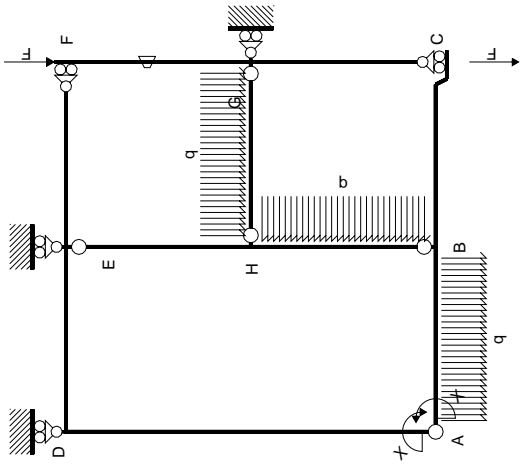
$$L_{DE}^{xo} = \int_0^b (1/2 - x/b + 1/2 x^2/b^2) \cdot Fb \cdot 1/EJ \, dx = \left[1/2 x - 1/2 x^2/b + 1/6 x^3/b^2 \right]_0^b \cdot Fb \cdot 1/EJ$$

$$= (1/2 b - 1/2 b + 1/6 b) \cdot Fb \cdot 1/EJ = 1/6 \cdot Fb^2/EJ$$

$$L_{ED}^{xo} = \int_0^b (1/2 x^2/b^2) \cdot Fb \cdot 1/EJ \, dx = \left[1/6 x^3/b^2 \right]_0^b \cdot Fb \cdot 1/EJ$$

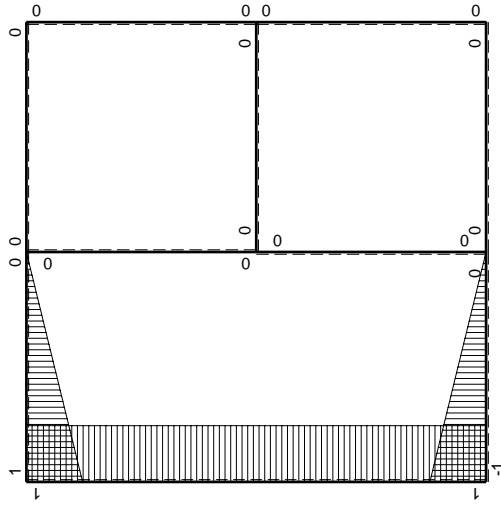
$$= (1/6 b) \cdot Fb \cdot 1/EJ = 1/6 \cdot Fb^2/EJ$$





Schema di calcolo iperstatico

M_0 flessione da carichi assegnati



M_1 flessione da iperstatica X=1

Quadro contributi PLV per iperstatica $X=W_{AB}$

→	$M_x(x)$	$M_o(x)$	θ	$M_x M_o$	$M_x \theta$	$M_x M_x$	$\int M_x(M_o/EJ+\theta)dx$	$\int X M_x M_x/EJ dx$
AB b	$-1+x/b$	$-2Fx-1/2qx^2$	0	$2Fx-3/2Fx^2/b-1/2qx^3/b$	0	$1-2x/b+x^2/b^2$	$(3/8+0)Fb^2/EJ$	$1/3Xb/EJ$
BA b	x/b	$5/2Fb-3Fx+1/2qx^2$	0	$5/2Fx-3Fx^2/b+1/2qx^3/b$	0	x^2/b^2		
BC b	0	$-5/2Fb+5/2Fx$	0	0	0	0	0+0	0
CB b	0	$5/2Fx$	0	0	0	0		
AD 2b	1	$1/4Fx$	0	$1/4Fx$	0	1	$(1/2+0)Fb^2/EJ$	$2Xb/EJ$
DA 2b	-1	$-1/2Fb+1/4Fx$	0	$1/2Fb-1/4Fx$	0	1		
DE b	$1-x/b$	$1/2Fb-1/2Fx$	0	$1/2Fb-Fx+1/2Fx^2/b$	0	$1-2x/b+x^2/b^2$	$(1/6+0)Fb^2/EJ$	$1/3Xb/EJ$
ED b	$-x/b$	$-1/2Fx$	0	$1/2Fx^2/b$	0	x^2/b^2		
EF b	0	0	0	0	0	0	0+0	0
FE b	0	0	0	0	0	0		
FG b	0	0	$-Fb/EJ$	0	0	0	0+0	0
GF b	0	0	Fb/EJ	0	0	0		
GC b	0	0	0	0	0	0	0+0	0
CG b	0	0	0	0	0	0		
HG b	0	$1/2Fx-1/2qx^2$	0	0	0	0	0+0	0
GH b	0	$-1/2Fx+1/2qx^2$	0	0	0	0		
HB b	0	$-1/4Fb+3/4Fx-1/2qx^2$	0	0	0	0	0+0	0
BH b	0	$-1/4Fx+1/2qx^2$	0	0	0	0		
HE b	0	$1/4Fb-1/4Fx$	0	0	0	0	0+0	0
EH b	0	$-1/4Fx$	0	0	0	0		
AB	molla asta $-W_{1AB}(W_{0AB}+XW_{1AB})/k_{AB}$							$1/4Xb/EJ$
	totali						$25/24Fb^2/EJ$	$35/12Xb/EJ$
	iperstatica $X=W_{AB}$						$-5/14Fb$	

Sviluppi di calcolo iperstatica

$$L_{AB}^{xx} = \int_0^b (1 - 2x/b + x^2/b^2) \cdot 1/EJ \, dx + 1 \cdot 1/4 \cdot b/EJ = \left[x - x^2/b + 1/3 x^3/b^2 \right]_0^b \cdot 1/EJ + 1 \cdot 1/4 \cdot b/EJ$$

$$= (b - b + 1/3 b) \cdot 1/EJ + 1 \cdot 1/4 \cdot b/EJ = 7/12 \cdot b/EJ$$

$$L_{BA}^{xx} = \int_0^b (x^2/b^2) \cdot 1/EJ \, dx + 1 \cdot 1/4 \cdot b/EJ = \left[1/3 x^3/b^2 \right]_0^b \cdot 1/EJ + 1 \cdot 1/4 \cdot b/EJ$$

$$= (1/3 b) \cdot 1/EJ + 1 \cdot 1/4 \cdot b/EJ = 7/12 \cdot b/EJ$$

$$L_{AD}^{xx} = \int_0^{2b} (1) \cdot 1/EJ \, dx = \left[x \right]_0^{2b} \cdot 1/EJ$$

$$= (2b) \cdot 1/EJ = 2 \cdot b/EJ$$

$$L_{DA}^{xx} = \int_0^{2b} (1) \cdot 1/EJ \, dx = \left[x \right]_0^{2b} \cdot 1/EJ$$

$$= (2b) \cdot 1/EJ = 2 \cdot b/EJ$$

$$L_{DE}^{xx} = \int_0^b (1 - 2x/b + x^2/b^2) \cdot 1/EJ \, dx = \left[x - x^2/b + 1/3 x^3/b^2 \right]_0^b \cdot 1/EJ$$

$$= (b - b + 1/3 b) \cdot 1/EJ = 1/3 \cdot b/EJ$$

$$L_{ED}^{xx} = \int_0^b (x^2/b^2) \cdot 1/EJ \, dx = \left[1/3 x^3/b^2 \right]_0^b \cdot 1/EJ$$

$$= (1/3 b) \cdot 1/EJ = 1/3 \cdot b/EJ$$

$$L_{AB}^{xo} = \int_0^b (2x/b - 3/2 x^2/b^2 - 1/2 x^3/b^3) \cdot Fb \cdot 1/EJ \, dx + 1 \cdot 0 \cdot 1/4 \cdot Fb^2/EJ$$

$$= \left[x^2/b - 1/2 x^3/b^2 - 1/8 x^4/b^3 \right]_0^b \cdot Fb \cdot 1/EJ + 1 \cdot 0 \cdot 1/4 \cdot Fb^2/EJ$$

$$= (b - 1/2 b - 1/8 b) \cdot Fb \cdot 1/EJ + 1 \cdot 0 \cdot 1/4 \cdot Fb^2/EJ = 3/8 \cdot Fb^2/EJ$$

$$L_{BA}^{xo} = \int_0^b (5/2 x/b - 3 x^2/b^2 + 1/2 x^3/b^3) \cdot Fb \cdot 1/EJ \, dx + 1 \cdot 0 \cdot 1/4 \cdot Fb^2/EJ$$

$$= \left[5/4 x^2/b - x^3/b^2 + 1/8 x^4/b^3 \right]_0^b \cdot Fb \cdot 1/EJ + 1 \cdot 0 \cdot 1/4 \cdot Fb^2/EJ$$

$$= (5/4 b - b + 1/8 b) \cdot Fb \cdot 1/EJ + 1 \cdot 0 \cdot 1/4 \cdot Fb^2/EJ = 3/8 \cdot Fb^2/EJ$$

$$L_{AD}^{xo} = \int_0^{2b} (1/4 x/b) \cdot Fb \cdot 1/EJ \, dx = \left[1/8 x^2/b \right]_0^{2b} \cdot Fb \cdot 1/EJ$$

$$= (1/2 b) \cdot Fb \cdot 1/EJ = 1/2 \cdot Fb^2/EJ$$

$$L_{DA}^{xo} = \int_0^{2b} (1/2 - 1/4 x/b) \cdot Fb \cdot 1/EJ \, dx = \left[1/2 x - 1/8 x^2/b \right]_0^{2b} \cdot Fb \cdot 1/EJ$$

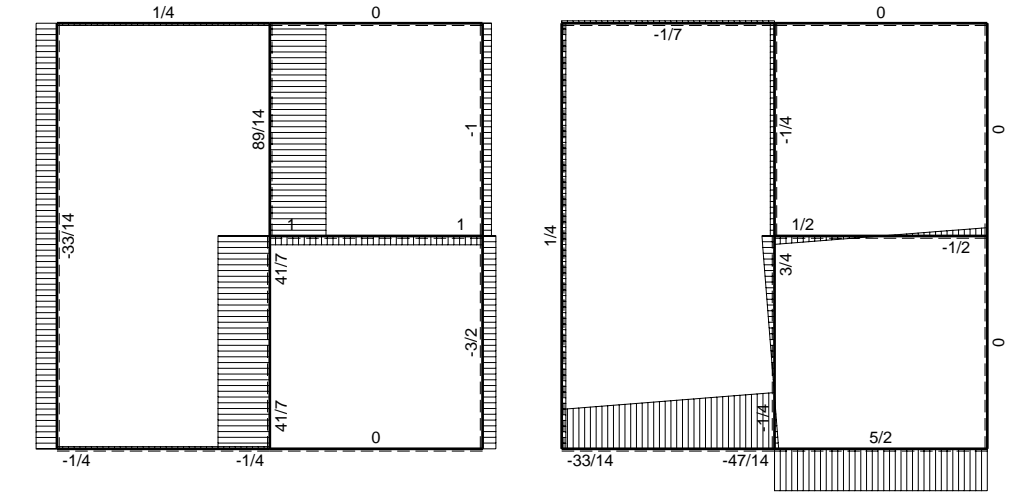
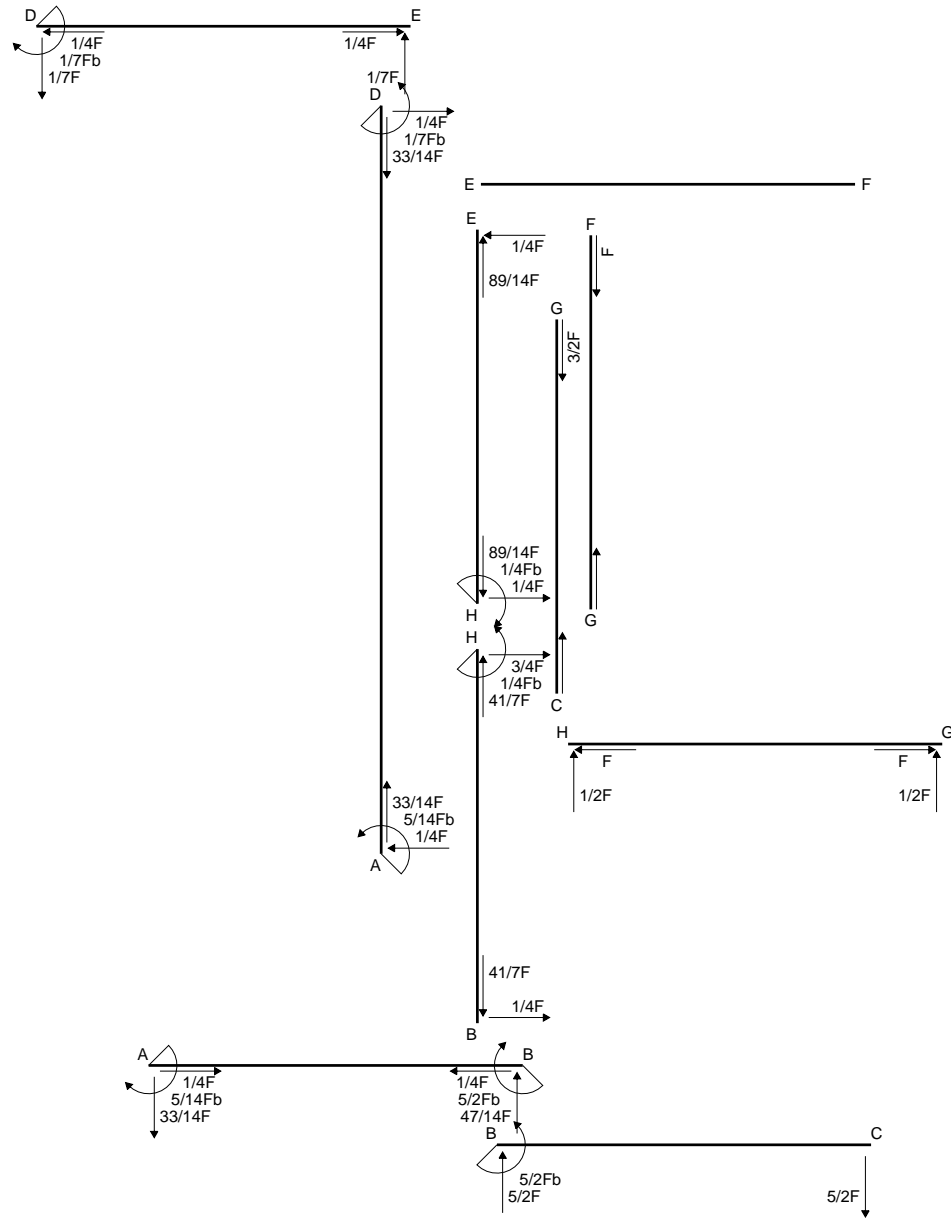
$$= (b - 1/2 b) \cdot Fb \cdot 1/EJ = 1/2 \cdot Fb^2/EJ$$

$$L_{DE}^{xo} = \int_0^b (1/2 - x/b + 1/2 x^2/b^2) \cdot Fb \cdot 1/EJ \, dx = \left[1/2 x - 1/2 x^2/b + 1/6 x^3/b^2 \right]_0^b \cdot Fb \cdot 1/EJ$$

$$= (1/2 b - 1/2 b + 1/6 b) \cdot Fb \cdot 1/EJ = 1/6 \cdot Fb^2/EJ$$

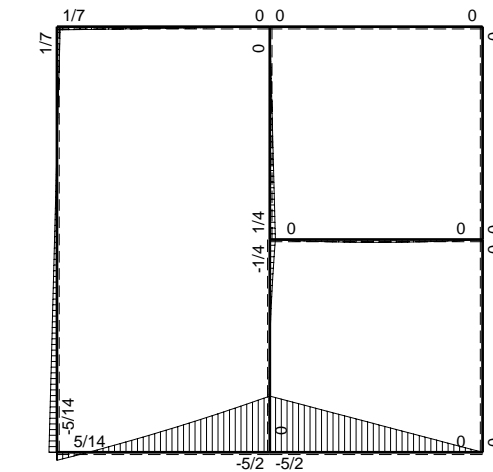
$$L_{ED}^{xo} = \int_0^b (1/2 x^2/b^2) \cdot Fb \cdot 1/EJ \, dx = \left[1/6 x^3/b^2 \right]_0^b \cdot Fb \cdot 1/EJ$$

$$= (1/6 b) \cdot Fb \cdot 1/EJ = 1/6 \cdot Fb^2/EJ$$

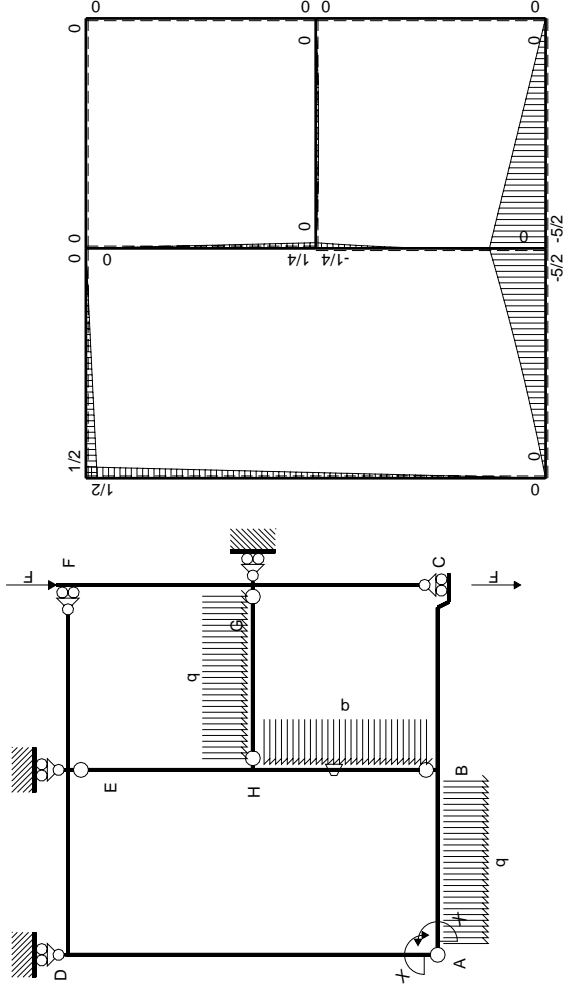


← ⊕ → F

↑ ⊕ ↓ F

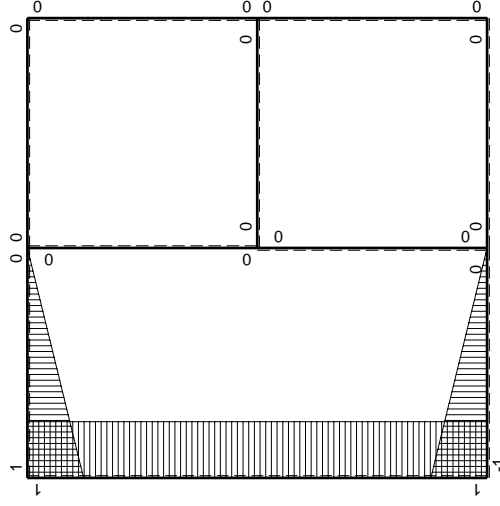


⊕ ⊖ F_b



Schema di calcolo iperstatico

M_0 flessione da carichi assegnati



M_x flessione da iperstatica $X=1$

Quadro contributi PLV per iperstatica $X=W_{AB}$

→	$M_x(x)$	$M_o(x)$	θ	$M_x M_o$	$M_x \theta$	$M_x M_x$	$\int M_x(M_o/EJ+\theta)dx$	$\int X M_x M_x/EJdx$
AB b	$-1+x/b$	$-2Fx-1/2qx^2$	0	$2Fx-3/2Fx^2/b-1/2qx^3/b$	0	$1-2x/b+x^2/b^2$	$(3/8+0)Fb^2/EJ$	$1/3Xb/EJ$
BA b	x/b	$5/2Fb-3Fx+1/2qx^2$	0	$5/2Fx-3Fx^2/b+1/2qx^3/b$	0	x^2/b^2		
BC b	0	$-5/2Fb+5/2Fx$	0	0	0	0	0+0	0
CB b	0	$5/2Fx$	0	0	0	0		
AD 2b	1	$1/4Fx$	0	$1/4Fx$	0	1	$(1/2+0)Fb^2/EJ$	$2Xb/EJ$
DA 2b	-1	$-1/2Fb+1/4Fx$	0	$1/2Fb-1/4Fx$	0	1		
DE b	$1-x/b$	$1/2Fb-1/2Fx$	0	$1/2Fb-Fx+1/2Fx^2/b$	0	$1-2x/b+x^2/b^2$	$(1/6+0)Fb^2/EJ$	$1/3Xb/EJ$
ED b	$-x/b$	$-1/2Fx$	0	$1/2Fx^2/b$	0	x^2/b^2		
EF b	0	0	0	0	0	0	0+0	0
FE b	0	0	0	0	0	0		
FG b	0	0	0	0	0	0	0+0	0
GF b	0	0	0	0	0	0		
GC b	0	0	0	0	0	0	0+0	0
CG b	0	0	0	0	0	0		
HG b	0	$1/2Fx-1/2qx^2$	0	0	0	0	0+0	0
GH b	0	$-1/2Fx+1/2qx^2$	0	0	0	0		
HB b	0	$-1/4Fb+3/4Fx-1/2qx^2$	$-Fb/EJ$	0	0	0	0+0	0
BH b	0	$-1/4Fx+1/2qx^2$	Fb/EJ	0	0	0		
HE b	0	$1/4Fb-1/4Fx$	0	0	0	0	0+0	0
EH b	0	$-1/4Fx$	0	0	0	0		
AB	molla asta $-W_{1AB}(W_{0AB}+XW_{1AB})/k_{AB}$							$1/4Xb/EJ$
	totali						$25/24Fb^2/EJ$	$35/12Xb/EJ$
	iperstatica $X=W_{AB}$						$-5/14Fb$	

Sviluppi di calcolo iperstatica

$$L_{AB}^{xx} = \int_0^b (1 - 2x/b + x^2/b^2) \cdot 1/EJ \, dx + 1 \cdot 1/4 \cdot b/EJ = \left[x - x^2/b + 1/3 x^3/b^2 \right]_0^b \cdot 1/EJ + 1 \cdot 1/4 \cdot b/EJ$$

$$= (b - b + 1/3 b) \cdot 1/EJ + 1 \cdot 1/4 \cdot b/EJ = 7/12 \cdot b/EJ$$

$$L_{BA}^{xx} = \int_0^b (x^2/b^2) \cdot 1/EJ \, dx + 1 \cdot 1/4 \cdot b/EJ = \left[1/3 x^3/b^2 \right]_0^b \cdot 1/EJ + 1 \cdot 1/4 \cdot b/EJ$$

$$= (1/3 b) \cdot 1/EJ + 1 \cdot 1/4 \cdot b/EJ = 7/12 \cdot b/EJ$$

$$L_{AD}^{xx} = \int_0^{2b} (1) \cdot 1/EJ \, dx = \left[x \right]_0^{2b} \cdot 1/EJ$$

$$= (2b) \cdot 1/EJ = 2 \cdot b/EJ$$

$$L_{DA}^{xx} = \int_0^{2b} (1) \cdot 1/EJ \, dx = \left[x \right]_0^{2b} \cdot 1/EJ$$

$$= (2b) \cdot 1/EJ = 2 \cdot b/EJ$$

$$L_{DE}^{xx} = \int_0^b (1 - 2x/b + x^2/b^2) \cdot 1/EJ \, dx = \left[x - x^2/b + 1/3 x^3/b^2 \right]_0^b \cdot 1/EJ$$

$$= (b - b + 1/3 b) \cdot 1/EJ = 1/3 \cdot b/EJ$$

$$L_{ED}^{xx} = \int_0^b (x^2/b^2) \cdot 1/EJ \, dx = \left[1/3 x^3/b^2 \right]_0^b \cdot 1/EJ$$

$$= (1/3 b) \cdot 1/EJ = 1/3 \cdot b/EJ$$

$$L_{AB}^{xo} = \int_0^b (2x/b - 3/2 x^2/b^2 - 1/2 x^3/b^3) \cdot Fb \cdot 1/EJ \, dx + 1 \cdot 0 \cdot 1/4 \cdot Fb^2/EJ$$

$$= \left[x^2/b - 1/2 x^3/b^2 - 1/8 x^4/b^3 \right]_0^b \cdot Fb \cdot 1/EJ + 1 \cdot 0 \cdot 1/4 \cdot Fb^2/EJ$$

$$= (b - 1/2 b - 1/8 b) \cdot Fb \cdot 1/EJ + 1 \cdot 0 \cdot 1/4 \cdot Fb^2/EJ = 3/8 \cdot Fb^2/EJ$$

$$L_{BA}^{xo} = \int_0^b (5/2 x/b - 3 x^2/b^2 + 1/2 x^3/b^3) \cdot Fb \cdot 1/EJ \, dx + 1 \cdot 0 \cdot 1/4 \cdot Fb^2/EJ$$

$$= \left[5/4 x^2/b - x^3/b^2 + 1/8 x^4/b^3 \right]_0^b \cdot Fb \cdot 1/EJ + 1 \cdot 0 \cdot 1/4 \cdot Fb^2/EJ$$

$$= (5/4 b - b + 1/8 b) \cdot Fb \cdot 1/EJ + 1 \cdot 0 \cdot 1/4 \cdot Fb^2/EJ = 3/8 \cdot Fb^2/EJ$$

$$L_{AD}^{xo} = \int_0^{2b} (1/4 x/b) \cdot Fb \cdot 1/EJ \, dx = \left[1/8 x^2/b \right]_0^{2b} \cdot Fb \cdot 1/EJ$$

$$= (1/2 b) \cdot Fb \cdot 1/EJ = 1/2 \cdot Fb^2/EJ$$

$$L_{DA}^{xo} = \int_0^{2b} (1/2 - 1/4 x/b) \cdot Fb \cdot 1/EJ \, dx = \left[1/2 x - 1/8 x^2/b \right]_0^{2b} \cdot Fb \cdot 1/EJ$$

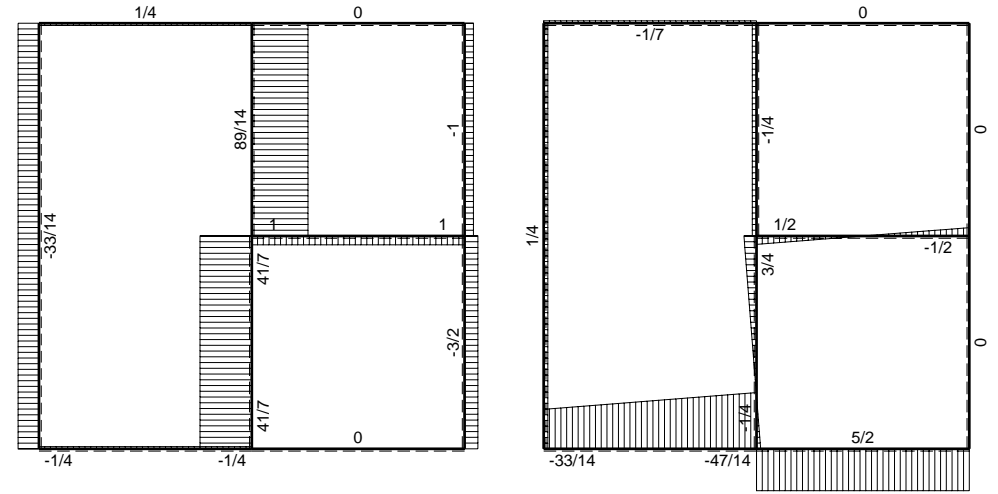
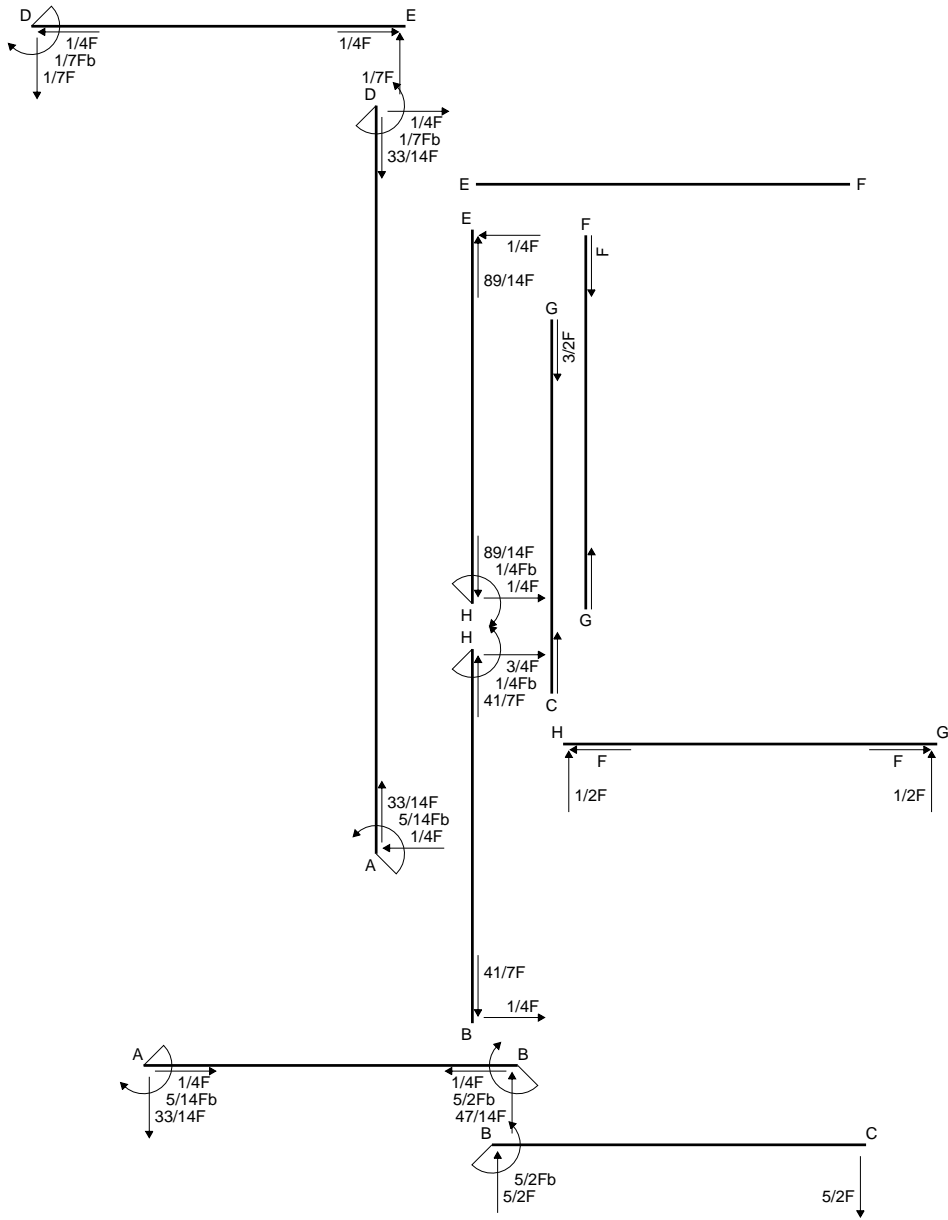
$$= (b - 1/2 b) \cdot Fb \cdot 1/EJ = 1/2 \cdot Fb^2/EJ$$

$$L_{DE}^{xo} = \int_0^b (1/2 - x/b + 1/2 x^2/b^2) \cdot Fb \cdot 1/EJ \, dx = \left[1/2 x - 1/2 x^2/b + 1/6 x^3/b^2 \right]_0^b \cdot Fb \cdot 1/EJ$$

$$= (1/2 b - 1/2 b + 1/6 b) \cdot Fb \cdot 1/EJ = 1/6 \cdot Fb^2/EJ$$

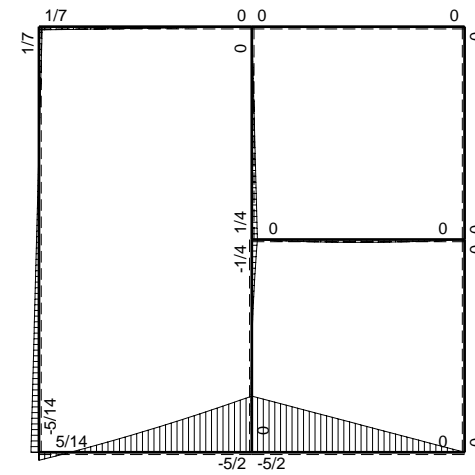
$$L_{ED}^{xo} = \int_0^b (1/2 x^2/b^2) \cdot Fb \cdot 1/EJ \, dx = \left[1/6 x^3/b^2 \right]_0^b \cdot Fb \cdot 1/EJ$$

$$= (1/6 b) \cdot Fb \cdot 1/EJ = 1/6 \cdot Fb^2/EJ$$

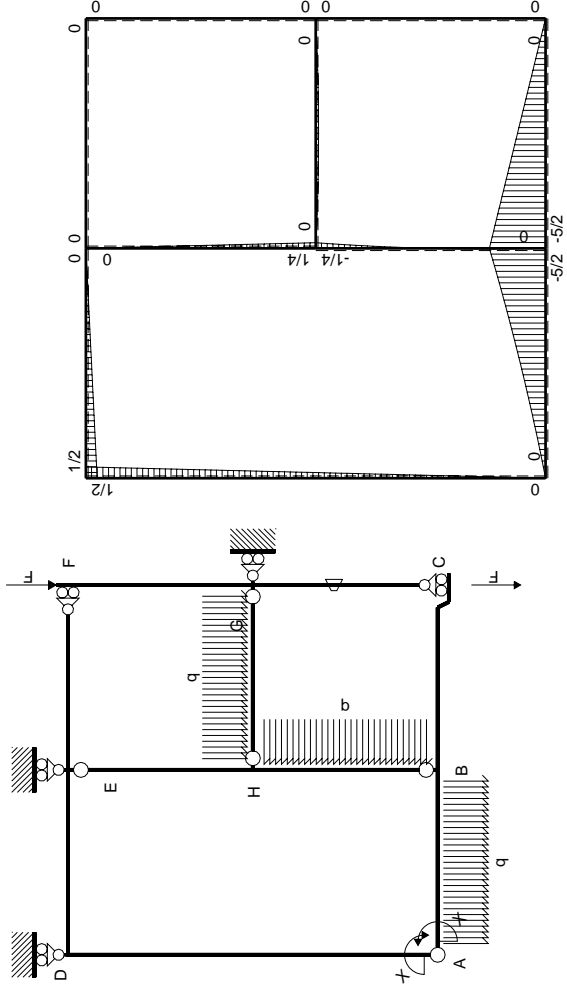


$\leftarrow \boxed{+} \rightarrow F$

$\uparrow \boxed{+} \downarrow F$

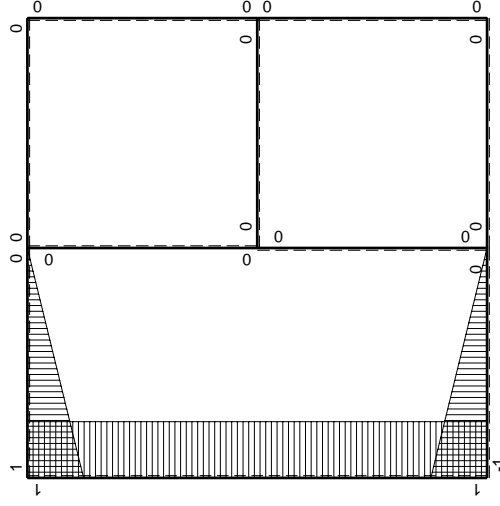


$\left(\oplus\right) F_b$



Schema di calcolo iperstatico

M_0 flessione da carichi assegnati



M_x flessione da iperstatica X=1

Quadro contributi PLV per iperstatica $X=W_{AB}$

→	$M_x(x)$	$M_o(x)$	θ	$M_x M_o$	$M_x \theta$	$M_x M_x$	$\int M_x(M_o/EJ+\theta)dx$	$\int X M_x M_x/EJ dx$
AB b	$-1+x/b$	$-2Fx-1/2qx^2$	0	$2Fx-3/2Fx^2/b-1/2qx^3/b$	0	$1-2x/b+x^2/b^2$	$(3/8+0)Fb^2/EJ$	$1/3Xb/EJ$
BA b	x/b	$5/2Fb-3Fx+1/2qx^2$	0	$5/2Fx-3Fx^2/b+1/2qx^3/b$	0	x^2/b^2		
BC b	0	$-5/2Fb+5/2Fx$	0	0	0	0	0+0	0
CB b	0	$5/2Fx$	0	0	0	0		
AD 2b	1	$1/4Fx$	0	$1/4Fx$	0	1	$(1/2+0)Fb^2/EJ$	$2Xb/EJ$
DA 2b	-1	$-1/2Fb+1/4Fx$	0	$1/2Fb-1/4Fx$	0	1		
DE b	$1-x/b$	$1/2Fb-1/2Fx$	0	$1/2Fb-Fx+1/2Fx^2/b$	0	$1-2x/b+x^2/b^2$	$(1/6+0)Fb^2/EJ$	$1/3Xb/EJ$
ED b	$-x/b$	$-1/2Fx$	0	$1/2Fx^2/b$	0	x^2/b^2		
EF b	0	0	0	0	0	0	0+0	0
FE b	0	0	0	0	0	0		
FG b	0	0	0	0	0	0	0+0	0
GF b	0	0	0	0	0	0		
GC b	0	0	$-Fb/EJ$	0	0	0	0+0	0
CG b	0	0	Fb/EJ	0	0	0		
HG b	0	$1/2Fx-1/2qx^2$	0	0	0	0	0+0	0
GH b	0	$-1/2Fx+1/2qx^2$	0	0	0	0		
HB b	0	$-1/4Fb+3/4Fx-1/2qx^2$	0	0	0	0	0+0	0
BH b	0	$-1/4Fx+1/2qx^2$	0	0	0	0		
HE b	0	$1/4Fb-1/4Fx$	0	0	0	0	0+0	0
EH b	0	$-1/4Fx$	0	0	0	0		
AB	molla asta $-W_{1AB}(W_{0AB}+XW_{1AB})/k_{AB}$							$1/4Xb/EJ$
	totali						$25/24Fb^2/EJ$	$35/12Xb/EJ$
	iperstatica $X=W_{AB}$						$-5/14Fb$	

Sviluppi di calcolo iperstatica

$$L_{AB}^{xx} = \int_0^b (1 - 2x/b + x^2/b^2) \cdot 1/EJ \, dx + 1 \cdot 1/4 \cdot b/EJ = \left[x - x^2/b + 1/3 x^3/b^2 \right]_0^b \cdot 1/EJ + 1 \cdot 1/4 \cdot b/EJ$$

$$= (b - b + 1/3 b) \cdot 1/EJ + 1 \cdot 1/4 \cdot b/EJ = 7/12 \cdot b/EJ$$

$$L_{BA}^{xx} = \int_0^b (x^2/b^2) \cdot 1/EJ \, dx + 1 \cdot 1/4 \cdot b/EJ = \left[1/3 x^3/b^2 \right]_0^b \cdot 1/EJ + 1 \cdot 1/4 \cdot b/EJ$$

$$= (1/3 b) \cdot 1/EJ + 1 \cdot 1/4 \cdot b/EJ = 7/12 \cdot b/EJ$$

$$L_{AD}^{xx} = \int_0^{2b} (1) \cdot 1/EJ \, dx = \left[x \right]_0^{2b} \cdot 1/EJ$$

$$= (2b) \cdot 1/EJ = 2 \cdot b/EJ$$

$$L_{DA}^{xx} = \int_0^{2b} (1) \cdot 1/EJ \, dx = \left[x \right]_0^{2b} \cdot 1/EJ$$

$$= (2b) \cdot 1/EJ = 2 \cdot b/EJ$$

$$L_{DE}^{xx} = \int_0^b (1 - 2x/b + x^2/b^2) \cdot 1/EJ \, dx = \left[x - x^2/b + 1/3 x^3/b^2 \right]_0^b \cdot 1/EJ$$

$$= (b - b + 1/3 b) \cdot 1/EJ = 1/3 \cdot b/EJ$$

$$L_{ED}^{xx} = \int_0^b (x^2/b^2) \cdot 1/EJ \, dx = \left[1/3 x^3/b^2 \right]_0^b \cdot 1/EJ$$

$$= (1/3 b) \cdot 1/EJ = 1/3 \cdot b/EJ$$

$$L_{AB}^{xo} = \int_0^b (2x/b - 3/2 x^2/b^2 - 1/2 x^3/b^3) \cdot Fb \cdot 1/EJ \, dx + 1 \cdot 0 \cdot 1/4 \cdot Fb^2/EJ$$

$$= \left[x^2/b - 1/2 x^3/b^2 - 1/8 x^4/b^3 \right]_0^b \cdot Fb \cdot 1/EJ + 1 \cdot 0 \cdot 1/4 \cdot Fb^2/EJ$$

$$= (b - 1/2 b - 1/8 b) \cdot Fb \cdot 1/EJ + 1 \cdot 0 \cdot 1/4 \cdot Fb^2/EJ = 3/8 \cdot Fb^2/EJ$$

$$L_{BA}^{xo} = \int_0^b (5/2 x/b - 3 x^2/b^2 + 1/2 x^3/b^3) \cdot Fb \cdot 1/EJ \, dx + 1 \cdot 0 \cdot 1/4 \cdot Fb^2/EJ$$

$$= \left[5/4 x^2/b - x^3/b^2 + 1/8 x^4/b^3 \right]_0^b \cdot Fb \cdot 1/EJ + 1 \cdot 0 \cdot 1/4 \cdot Fb^2/EJ$$

$$= (5/4 b - b + 1/8 b) \cdot Fb \cdot 1/EJ + 1 \cdot 0 \cdot 1/4 \cdot Fb^2/EJ = 3/8 \cdot Fb^2/EJ$$

$$L_{AD}^{xo} = \int_0^{2b} (1/4 x/b) \cdot Fb \cdot 1/EJ \, dx = \left[1/8 x^2/b \right]_0^{2b} \cdot Fb \cdot 1/EJ$$

$$= (1/2 b) \cdot Fb \cdot 1/EJ = 1/2 \cdot Fb^2/EJ$$

$$L_{DA}^{xo} = \int_0^{2b} (1/2 - 1/4 x/b) \cdot Fb \cdot 1/EJ \, dx = \left[1/2 x - 1/8 x^2/b \right]_0^{2b} \cdot Fb \cdot 1/EJ$$

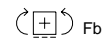
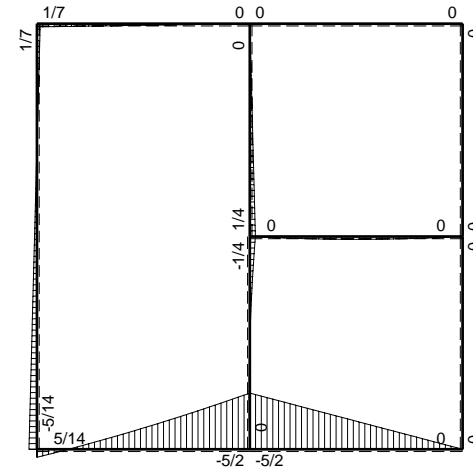
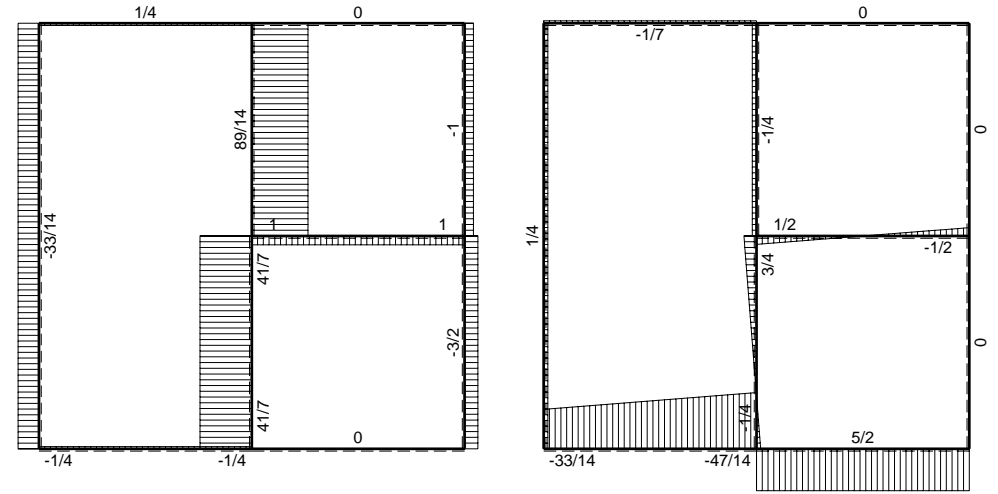
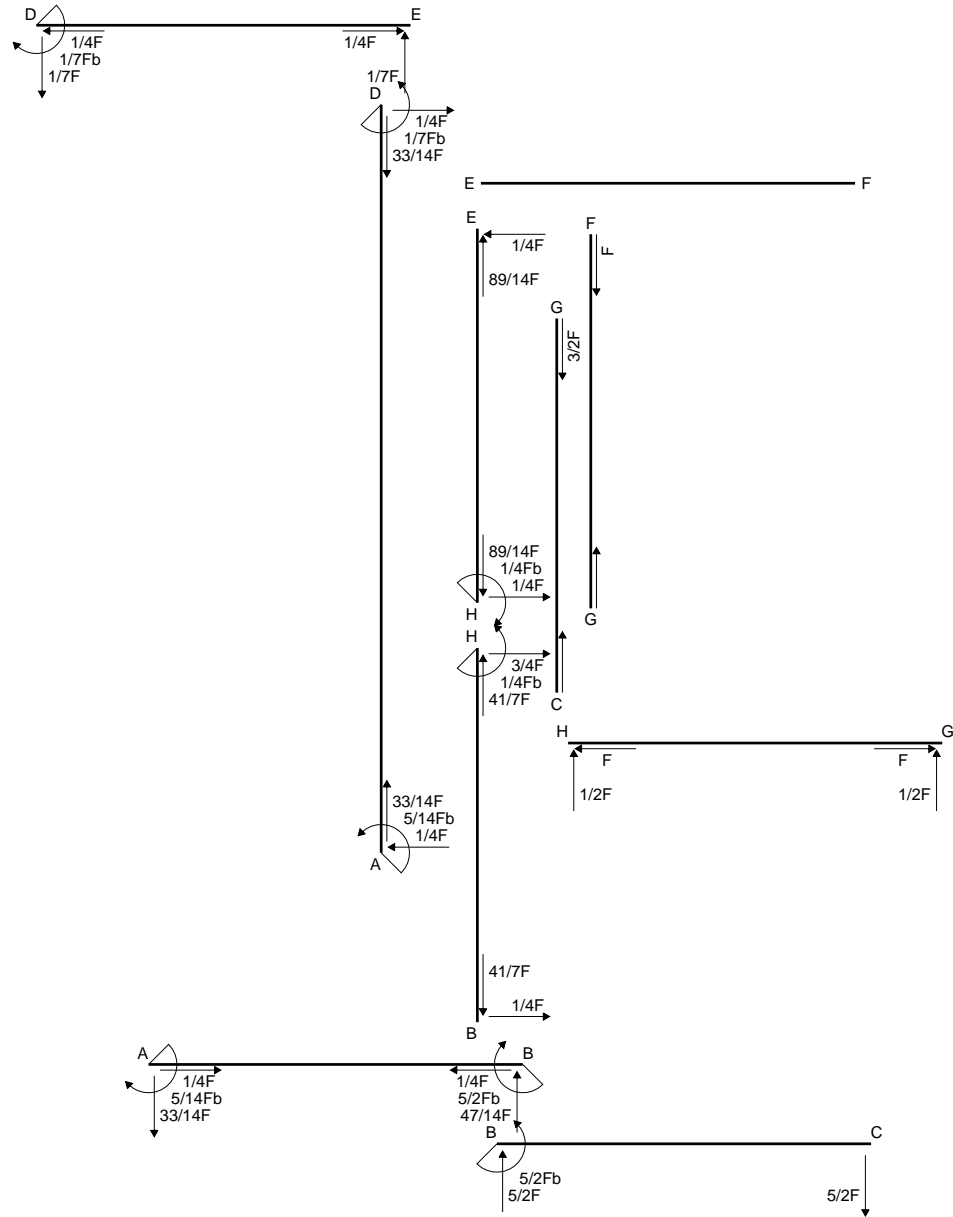
$$= (b - 1/2 b) \cdot Fb \cdot 1/EJ = 1/2 \cdot Fb^2/EJ$$

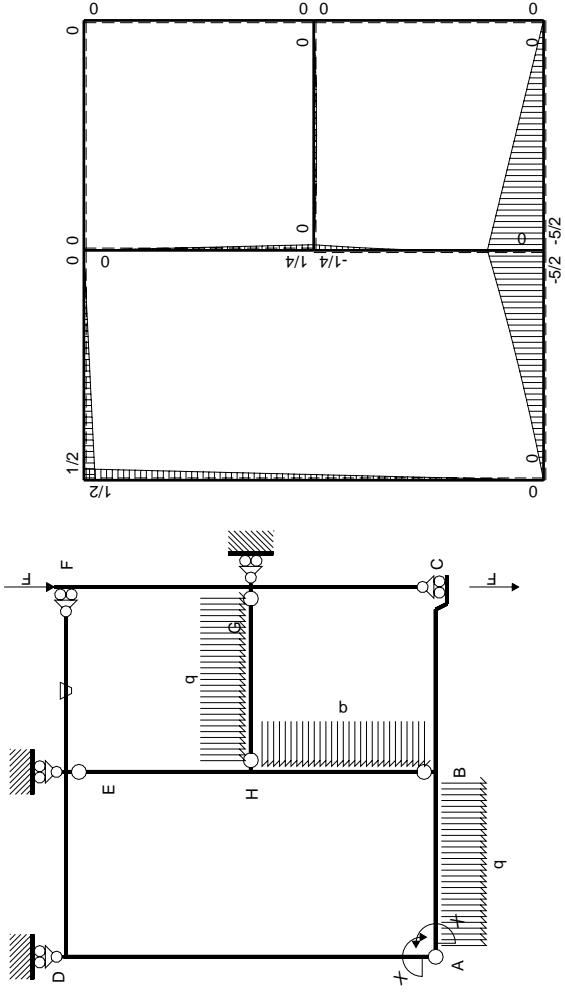
$$L_{DE}^{xo} = \int_0^b (1/2 - x/b + 1/2 x^2/b^2) \cdot Fb \cdot 1/EJ \, dx = \left[1/2 x - 1/2 x^2/b + 1/6 x^3/b^2 \right]_0^b \cdot Fb \cdot 1/EJ$$

$$= (1/2 b - 1/2 b + 1/6 b) \cdot Fb \cdot 1/EJ = 1/6 \cdot Fb^2/EJ$$

$$L_{ED}^{xo} = \int_0^b (1/2 x^2/b^2) \cdot Fb \cdot 1/EJ \, dx = \left[1/6 x^3/b^2 \right]_0^b \cdot Fb \cdot 1/EJ$$

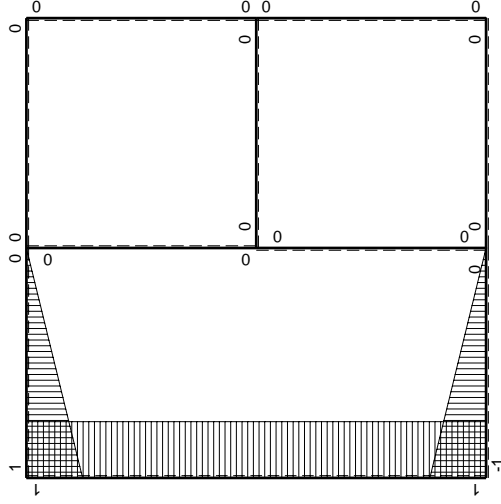
$$= (1/6 b) \cdot Fb \cdot 1/EJ = 1/6 \cdot Fb^2/EJ$$





Schema di calcolo iperstatico

M_0 flessione da carichi assegnati



M_X flessione da iperstatica $X=1$

Quadro contributi PLV per iperstatica $X=W_{AB}$

→	$M_x(x)$	$M_o(x)$	θ	$M_x M_o$	$M_x \theta$	$M_x M_x$	$\int M_x(M_o/EJ+\theta)dx$	$\int X M_x M_x/EJ dx$
AB b	$-1+x/b$	$-2Fx-1/2qx^2$	0	$2Fx-3/2Fx^2/b-1/2qx^3/b$	0	$1-2x/b+x^2/b^2$	$(3/8+0)Fb^2/EJ$	$1/3Xb/EJ$
BA b	x/b	$5/2Fb-3Fx+1/2qx^2$	0	$5/2Fx-3Fx^2/b+1/2qx^3/b$	0	x^2/b^2		
BC b	0	$-5/2Fb+5/2Fx$	0	0	0	0	0+0	0
CB b	0	$5/2Fx$	0	0	0	0		
AD 2b	1	$1/4Fx$	0	$1/4Fx$	0	1	$(1/2+0)Fb^2/EJ$	$2Xb/EJ$
DA 2b	-1	$-1/2Fb+1/4Fx$	0	$1/2Fb-1/4Fx$	0	1		
DE b	$1-x/b$	$1/2Fb-1/2Fx$	0	$1/2Fb-Fx+1/2Fx^2/b$	0	$1-2x/b+x^2/b^2$	$(1/6+0)Fb^2/EJ$	$1/3Xb/EJ$
ED b	$-x/b$	$-1/2Fx$	0	$1/2Fx^2/b$	0	x^2/b^2		
EF b	0	0	$-Fb/EJ$	0	0	0	0+0	0
FE b	0	0	Fb/EJ	0	0	0		
FG b	0	0	0	0	0	0	0+0	0
GF b	0	0	0	0	0	0		
GC b	0	0	0	0	0	0	0+0	0
CG b	0	0	0	0	0	0		
HG b	0	$1/2Fx-1/2qx^2$	0	0	0	0	0+0	0
GH b	0	$-1/2Fx+1/2qx^2$	0	0	0	0		
HB b	0	$-1/4Fb+3/4Fx-1/2qx^2$	0	0	0	0	0+0	0
BH b	0	$-1/4Fx+1/2qx^2$	0	0	0	0		
HE b	0	$1/4Fb-1/4Fx$	0	0	0	0	0+0	0
EH b	0	$-1/4Fx$	0	0	0	0		
AB	molla asta $-W_{1AB}(W_{0AB}+XW_{1AB})/k_{AB}$							$1/4Xb/EJ$
	totali						$25/24Fb^2/EJ$	$35/12Xb/EJ$
	iperstatica $X=W_{AB}$						$-5/14Fb$	

Sviluppi di calcolo iperstatica

$$L_{AB}^{xx} = \int_0^b (1 - 2x/b + x^2/b^2) \cdot 1/EJ \, dx + 1 \cdot 1/4 \cdot b/EJ = \left[x - x^2/b + 1/3 x^3/b^2 \right]_0^b \cdot 1/EJ + 1 \cdot 1/4 \cdot b/EJ$$

$$= (b - b + 1/3 b) \cdot 1/EJ + 1 \cdot 1/4 \cdot b/EJ = 7/12 \cdot b/EJ$$

$$L_{BA}^{xx} = \int_0^b (x^2/b^2) \cdot 1/EJ \, dx + 1 \cdot 1/4 \cdot b/EJ = \left[1/3 x^3/b^2 \right]_0^b \cdot 1/EJ + 1 \cdot 1/4 \cdot b/EJ$$

$$= (1/3 b) \cdot 1/EJ + 1 \cdot 1/4 \cdot b/EJ = 7/12 \cdot b/EJ$$

$$L_{AD}^{xx} = \int_0^{2b} (1) \cdot 1/EJ \, dx = \left[x \right]_0^{2b} \cdot 1/EJ$$

$$= (2b) \cdot 1/EJ = 2 \cdot b/EJ$$

$$L_{DA}^{xx} = \int_0^{2b} (1) \cdot 1/EJ \, dx = \left[x \right]_0^{2b} \cdot 1/EJ$$

$$= (2b) \cdot 1/EJ = 2 \cdot b/EJ$$

$$L_{DE}^{xx} = \int_0^b (1 - 2x/b + x^2/b^2) \cdot 1/EJ \, dx = \left[x - x^2/b + 1/3 x^3/b^2 \right]_0^b \cdot 1/EJ$$

$$= (b - b + 1/3 b) \cdot 1/EJ = 1/3 \cdot b/EJ$$

$$L_{ED}^{xx} = \int_0^b (x^2/b^2) \cdot 1/EJ \, dx = \left[1/3 x^3/b^2 \right]_0^b \cdot 1/EJ$$

$$= (1/3 b) \cdot 1/EJ = 1/3 \cdot b/EJ$$

$$L_{AB}^{xo} = \int_0^b (2x/b - 3/2 x^2/b^2 - 1/2 x^3/b^3) \cdot Fb \cdot 1/EJ \, dx + 1 \cdot 0 \cdot 1/4 \cdot Fb^2/EJ$$

$$= \left[x^2/b - 1/2 x^3/b^2 - 1/8 x^4/b^3 \right]_0^b \cdot Fb \cdot 1/EJ + 1 \cdot 0 \cdot 1/4 \cdot Fb^2/EJ$$

$$= (b - 1/2 b - 1/8 b) \cdot Fb \cdot 1/EJ + 1 \cdot 0 \cdot 1/4 \cdot Fb^2/EJ = 3/8 \cdot Fb^2/EJ$$

$$L_{BA}^{xo} = \int_0^b (5/2 x/b - 3 x^2/b^2 + 1/2 x^3/b^3) \cdot Fb \cdot 1/EJ \, dx + 1 \cdot 0 \cdot 1/4 \cdot Fb^2/EJ$$

$$= \left[5/4 x^2/b - x^3/b^2 + 1/8 x^4/b^3 \right]_0^b \cdot Fb \cdot 1/EJ + 1 \cdot 0 \cdot 1/4 \cdot Fb^2/EJ$$

$$= (5/4 b - b + 1/8 b) \cdot Fb \cdot 1/EJ + 1 \cdot 0 \cdot 1/4 \cdot Fb^2/EJ = 3/8 \cdot Fb^2/EJ$$

$$L_{AD}^{xo} = \int_0^{2b} (1/4 x/b) \cdot Fb \cdot 1/EJ \, dx = \left[1/8 x^2/b \right]_0^{2b} \cdot Fb \cdot 1/EJ$$

$$= (1/2 b) \cdot Fb \cdot 1/EJ = 1/2 \cdot Fb^2/EJ$$

$$L_{DA}^{xo} = \int_0^{2b} (1/2 - 1/4 x/b) \cdot Fb \cdot 1/EJ \, dx = \left[1/2 x - 1/8 x^2/b \right]_0^{2b} \cdot Fb \cdot 1/EJ$$

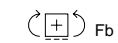
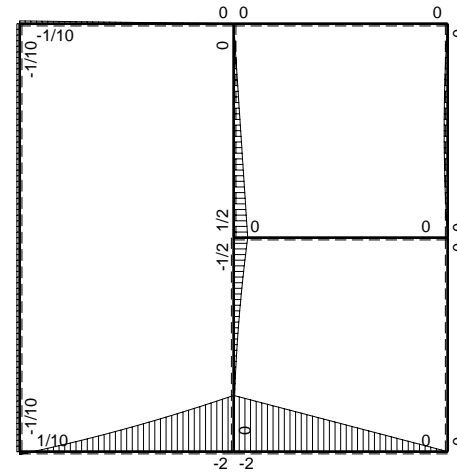
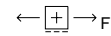
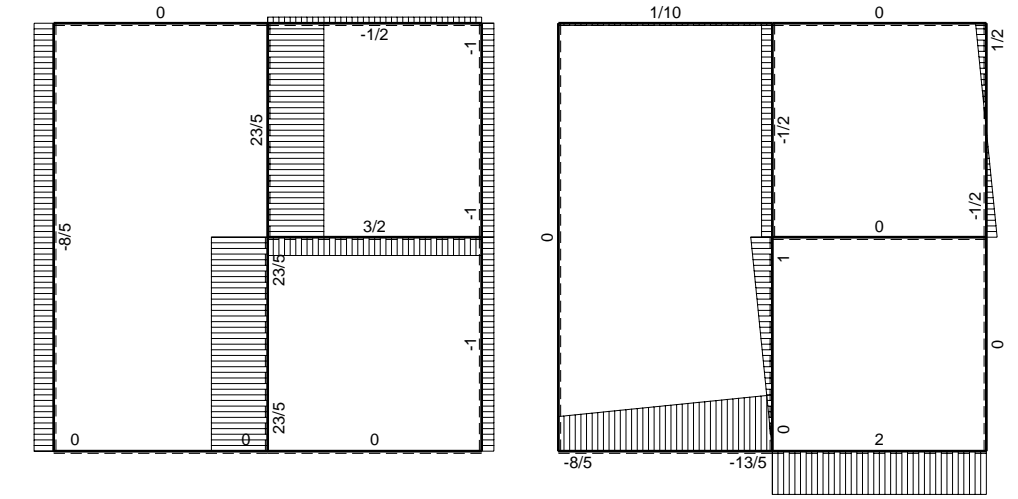
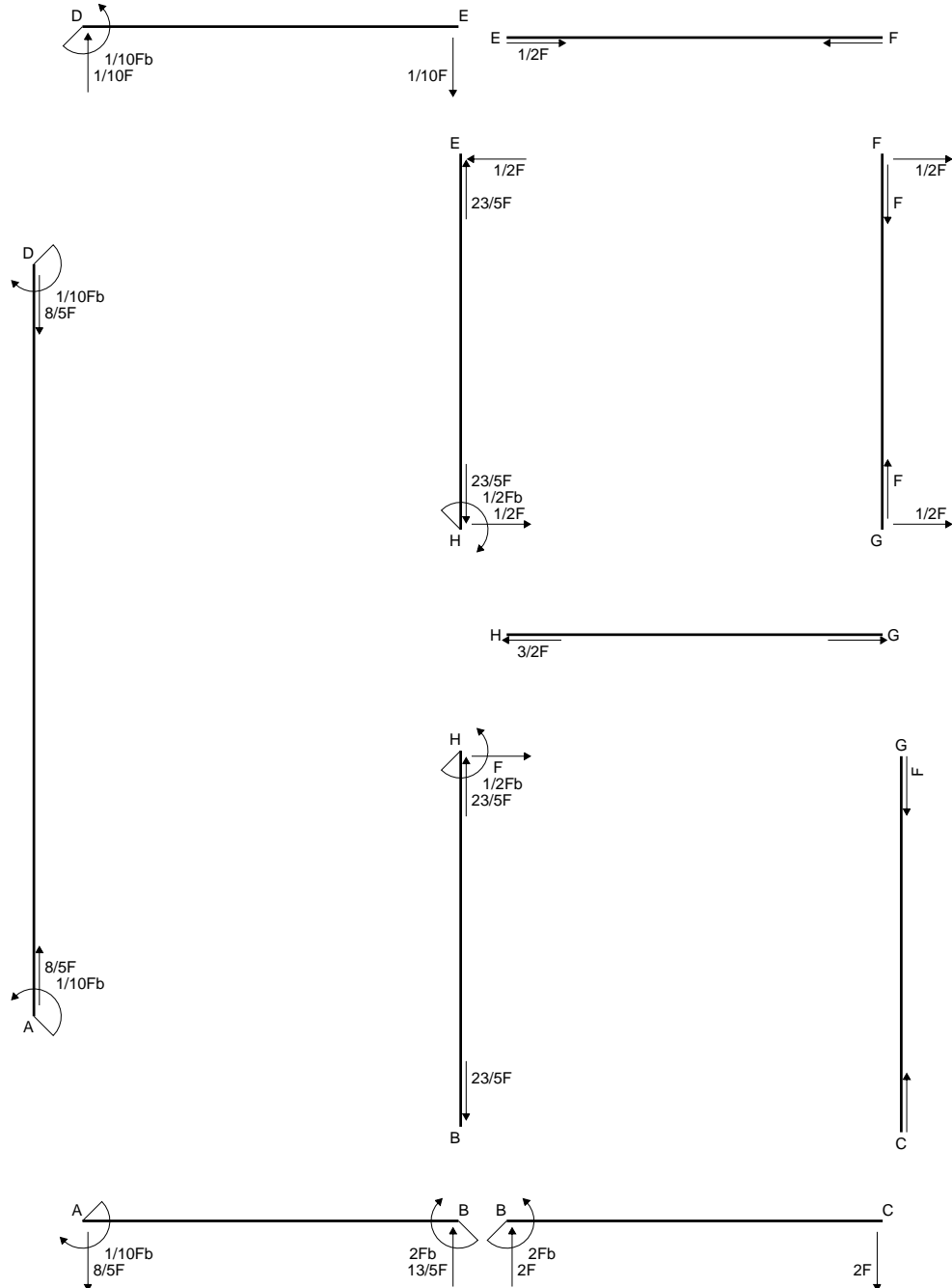
$$= (b - 1/2 b) \cdot Fb \cdot 1/EJ = 1/2 \cdot Fb^2/EJ$$

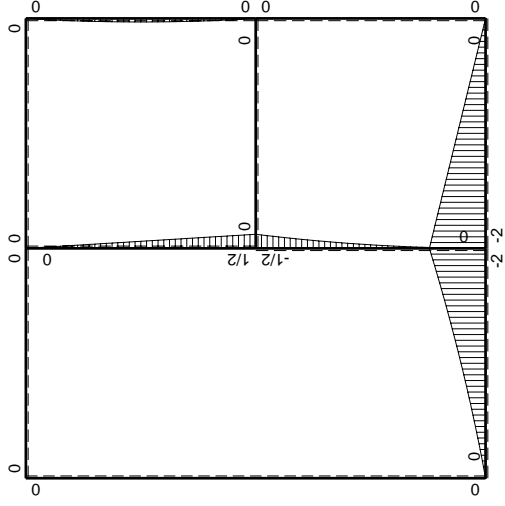
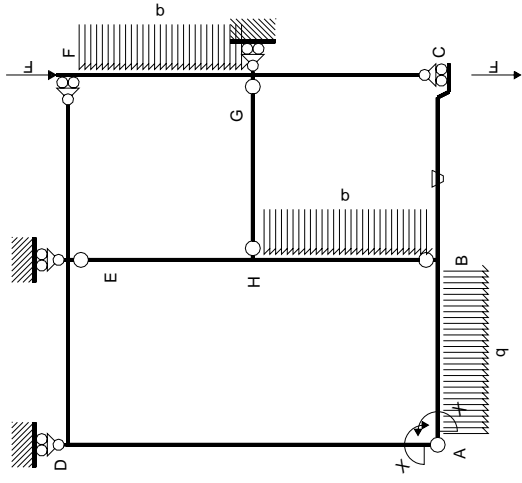
$$L_{DE}^{xo} = \int_0^b (1/2 - x/b + 1/2 x^2/b^2) \cdot Fb \cdot 1/EJ \, dx = \left[1/2 x - 1/2 x^2/b + 1/6 x^3/b^2 \right]_0^b \cdot Fb \cdot 1/EJ$$

$$= (1/2 b - 1/2 b + 1/6 b) \cdot Fb \cdot 1/EJ = 1/6 \cdot Fb^2/EJ$$

$$L_{ED}^{xo} = \int_0^b (1/2 x^2/b^2) \cdot Fb \cdot 1/EJ \, dx = \left[1/6 x^3/b^2 \right]_0^b \cdot Fb \cdot 1/EJ$$

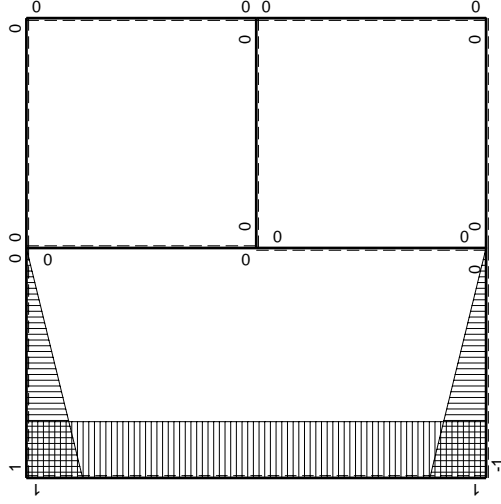
$$= (1/6 b) \cdot Fb \cdot 1/EJ = 1/6 \cdot Fb^2/EJ$$





Schema di calcolo iperstatico

M_0 flessione da carichi assegnati



M_X flessione da iperstatica $X=1$

Quadro contributi PLV per iperstatica $X=W_{AB}$

→	$M_x(x)$	$M_o(x)$	θ	$M_x M_o$	$M_x \theta$	$M_x M_x$	$\int M_x(M_o/EJ+\theta)dx$	$\int X M_x M_x/EJ dx$	
AB b	$-1+x/b$	$-3/2Fx-1/2qx^2$	0	$3/2Fx-Fx^2/b-1/2qx^3/b$	0	$1-2x/b+x^2/b^2$	$(7/24+0)Fb^2/EJ$	$1/3Xb/EJ$	
BA b	x/b	$2Fb-5/2Fx+1/2qx^2$	0	$2Fx-5/2Fx^2/b+1/2qx^3/b$	0	x^2/b^2			
BC b	0	$-2Fb+2Fx$	$-Fb/EJ$	0	0	0	0+0	0	
CB b	0	$2Fx$	Fb/EJ	0	0	0			
AD 2b	1	0	0	0	0	1	0+0	$2Xb/EJ$	
DA 2b	-1	0	0	0	0	1			
DE b	$1-x/b$	0	0	0	0	$1-2x/b+x^2/b^2$	0+0	$1/3Xb/EJ$	
ED b	$-x/b$	0	0	0	0	x^2/b^2			
EF b	0	0	0	0	0	0	0+0	0	
FE b	0	0	0	0	0	0			
FG b	0	$1/2Fx-1/2qx^2$	0	0	0	0	0+0	0	
GF b	0	$-1/2Fx+1/2qx^2$	0	0	0	0			
GC b	0	0	0	0	0	0	0+0	0	
CG b	0	0	0	0	0	0			
HG b	0	0	0	0	0	0	0+0	0	
GH b	0	0	0	0	0	0			
HB b	0	$-1/2Fb+Fx-1/2qx^2$	0	0	0	0	0+0	0	
BH b	0	$1/2qx^2$	0	0	0	0			
HE b	0	$1/2Fb-1/2Fx$	0	0	0	0	0+0	0	
EH b	0	$-1/2Fx$	0	0	0	0			
AB	molla asta $-W_{1AB} (W_{0AB} + XW_{1AB})/k_{AB}$								$1/4Xb/EJ$
	totali							$7/24Fb^2/EJ$	$35/12Xb/EJ$
	iperstatica $X=W_{AB}$							$-1/10Fb$	

Sviluppi di calcolo iperstatica

$$L_{AB}^{xx} = \int_0^b (1 - 2x/b + x^2/b^2) \frac{1}{EJ} dx + 1 \cdot 1 \cdot \frac{1}{4} \frac{b}{EJ} = \left[x - \frac{x^2}{b} + \frac{1}{3} \frac{x^3}{b^2} \right]_0^b \frac{1}{EJ} + 1 \cdot 1 \cdot \frac{1}{4} \frac{b}{EJ}$$

$$= (b - b + \frac{1}{3}b) \frac{1}{EJ} + 1 \cdot 1 \cdot \frac{1}{4} \frac{b}{EJ} = \frac{7}{12} \frac{b}{EJ}$$

$$L_{BA}^{xx} = \int_0^b (x^2/b^2) \frac{1}{EJ} dx + 1 \cdot 1 \cdot \frac{1}{4} \frac{b}{EJ} = \left[\frac{1}{3} \frac{x^3}{b^2} \right]_0^b \frac{1}{EJ} + 1 \cdot 1 \cdot \frac{1}{4} \frac{b}{EJ}$$

$$= (\frac{1}{3}b) \frac{1}{EJ} + 1 \cdot 1 \cdot \frac{1}{4} \frac{b}{EJ} = \frac{7}{12} \frac{b}{EJ}$$

$$L_{AD}^{xx} = \int_0^{2b} (1) \frac{1}{EJ} dx = \left[x \right]_0^{2b} \frac{1}{EJ}$$

$$= (2b) \frac{1}{EJ} = 2 \frac{b}{EJ}$$

$$L_{DA}^{xx} = \int_0^{2b} (1) \frac{1}{EJ} dx = \left[x \right]_0^{2b} \frac{1}{EJ}$$

$$= (2b) \frac{1}{EJ} = 2 \frac{b}{EJ}$$

$$L_{DE}^{xx} = \int_0^b (1 - 2x/b + x^2/b^2) \frac{1}{EJ} dx = \left[x - \frac{x^2}{b} + \frac{1}{3} \frac{x^3}{b^2} \right]_0^b \frac{1}{EJ}$$

$$= (b - b + \frac{1}{3}b) \frac{1}{EJ} = \frac{1}{3} \frac{b}{EJ}$$

$$L_{ED}^{xx} = \int_0^b (x^2/b^2) \frac{1}{EJ} dx = \left[\frac{1}{3} \frac{x^3}{b^2} \right]_0^b \frac{1}{EJ}$$

$$= (\frac{1}{3}b) \frac{1}{EJ} = \frac{1}{3} \frac{b}{EJ}$$

$$L_{AB}^{xo} = \int_0^b (3/2 x/b - x^2/b^2 - 1/2 x^3/b^3) Fb \frac{1}{EJ} dx + 1 \cdot 0 \cdot \frac{1}{4} \frac{Fb^2}{EJ}$$

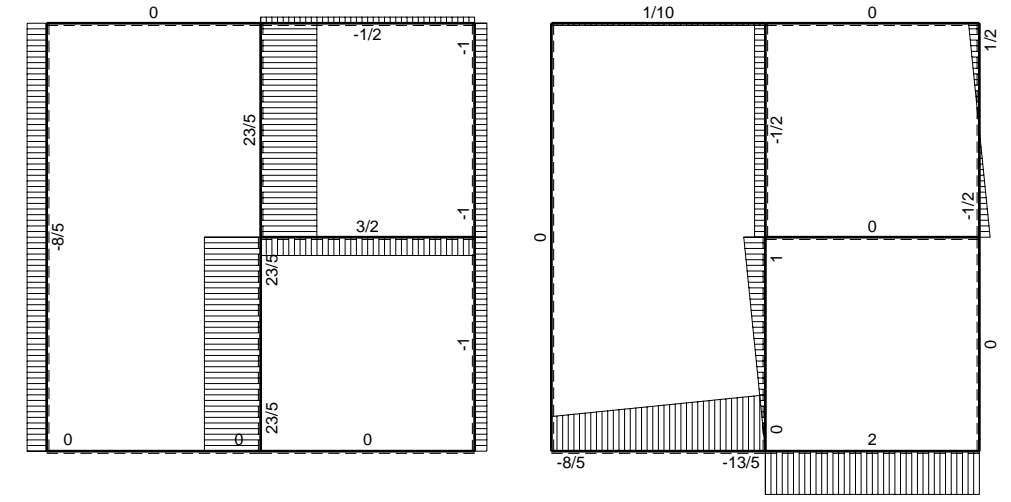
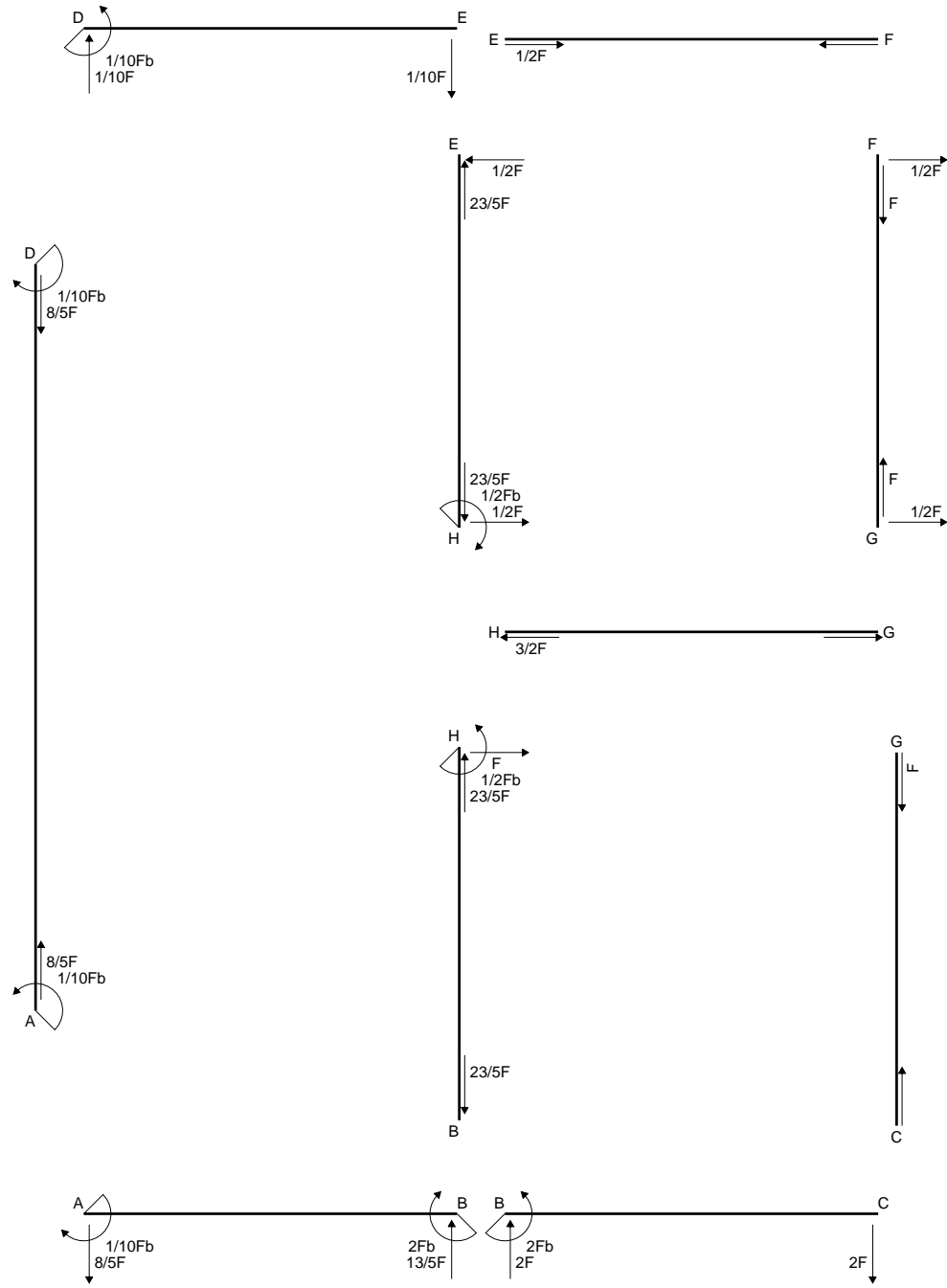
$$= \left[\frac{3}{4} \frac{x^2}{b} - \frac{1}{3} \frac{x^3}{b^2} - \frac{1}{8} \frac{x^4}{b^3} \right]_0^b Fb \frac{1}{EJ} + 1 \cdot 0 \cdot \frac{1}{4} \frac{Fb^2}{EJ}$$

$$= (3/4 b - 1/3 b - 1/8 b) Fb \frac{1}{EJ} + 1 \cdot 0 \cdot \frac{1}{4} \frac{Fb^2}{EJ} = \frac{7}{24} \frac{Fb^2}{EJ}$$

$$L_{BA}^{xo} = \int_0^b (2x/b - 5/2 x^2/b^2 + 1/2 x^3/b^3) Fb \frac{1}{EJ} dx + 1 \cdot 0 \cdot \frac{1}{4} \frac{Fb^2}{EJ}$$

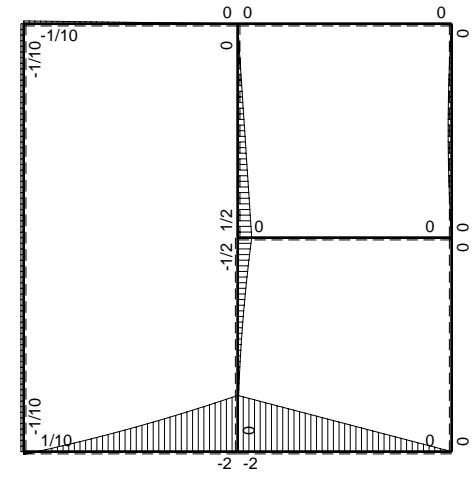
$$= \left[x^2/b - 5/6 x^3/b^2 + 1/8 x^4/b^3 \right]_0^b Fb \frac{1}{EJ} + 1 \cdot 0 \cdot \frac{1}{4} \frac{Fb^2}{EJ}$$

$$= (b - 5/6 b + 1/8 b) Fb \frac{1}{EJ} + 1 \cdot 0 \cdot \frac{1}{4} \frac{Fb^2}{EJ} = \frac{7}{24} \frac{Fb^2}{EJ}$$

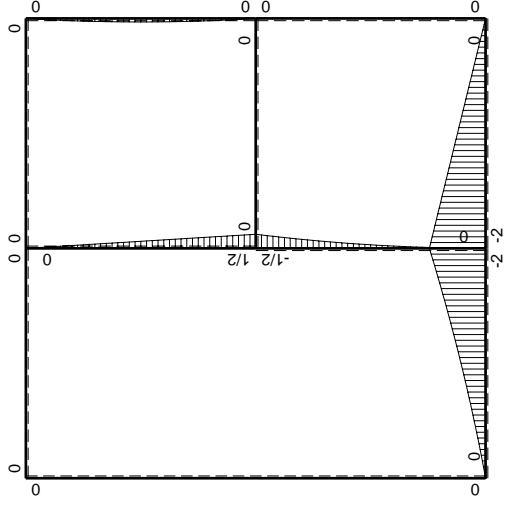
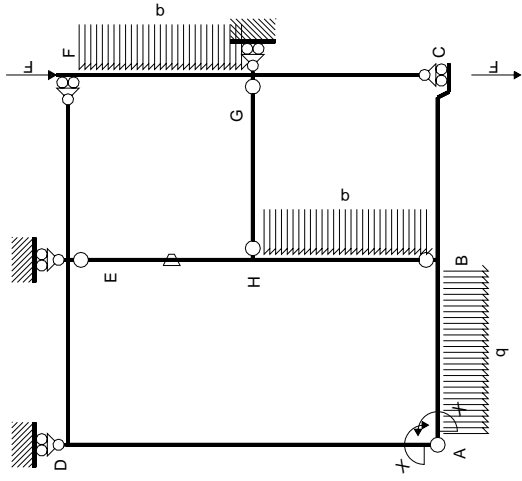


← ⊕ → F

↑ ⊕ ↓ F

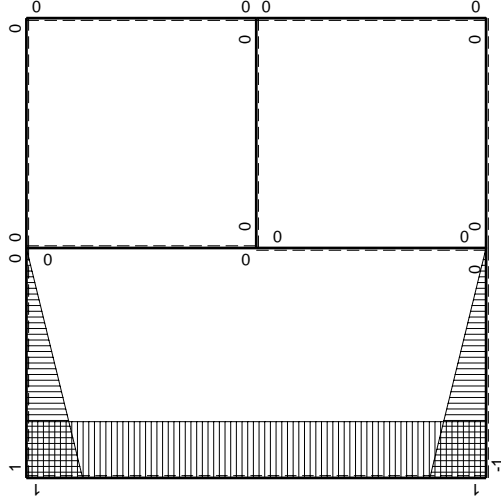


⊕ ⊖ Fb



Schema di calcolo iperstatico

M_0 flessione da carichi assegnati



M_x flessione da iperstatica $X=1$

Quadro contributi PLV per iperstatica $X=W_{AB}$

→	$M_x(x)$	$M_o(x)$	θ	$M_x M_o$	$M_x \theta$	$M_x M_x$	$\int M_x(M_o/EJ+\theta)dx$	$\int X M_x M_x/EJ dx$	
AB b	$-1+x/b$	$-3/2Fx-1/2qx^2$	0	$3/2Fx-Fx^2/b-1/2qx^3/b$	0	$1-2x/b+x^2/b^2$	$(7/24+0)Fb^2/EJ$	$1/3Xb/EJ$	
BA b	x/b	$2Fb-5/2Fx+1/2qx^2$	0	$2Fx-5/2Fx^2/b+1/2qx^3/b$	0	x^2/b^2			
BC b	0	$-2Fb+2Fx$	0	0	0	0	0+0	0	
CB b	0	$2Fx$	0	0	0	0			
AD 2b	1	0	0	0	0	1	0+0	$2Xb/EJ$	
DA 2b	-1	0	0	0	0	1			
DE b	$1-x/b$	0	0	0	0	$1-2x/b+x^2/b^2$	0+0	$1/3Xb/EJ$	
ED b	$-x/b$	0	0	0	0	x^2/b^2			
EF b	0	0	0	0	0	0	0+0	0	
FE b	0	0	0	0	0	0			
FG b	0	$1/2Fx-1/2qx^2$	0	0	0	0	0+0	0	
GF b	0	$-1/2Fx+1/2qx^2$	0	0	0	0			
GC b	0	0	0	0	0	0	0+0	0	
CG b	0	0	0	0	0	0			
HG b	0	0	0	0	0	0	0+0	0	
GH b	0	0	0	0	0	0			
HB b	0	$-1/2Fb+Fx-1/2qx^2$	0	0	0	0	0+0	0	
BH b	0	$1/2qx^2$	0	0	0	0			
HE b	0	$1/2Fb-1/2Fx$	$-Fb/EJ$	0	0	0	0+0	0	
EH b	0	$-1/2Fx$	Fb/EJ	0	0	0			
AB	molla asta $-W_{1AB}(W_{0AB}+XW_{1AB})/k_{AB}$								$1/4Xb/EJ$
	totali							$7/24Fb^2/EJ$	$35/12Xb/EJ$
	iperstatica $X=W_{AB}$							$-1/10Fb$	

Sviluppi di calcolo iperstatica

$$L_{AB}^{xx} = \int_0^b (1 - 2x/b + x^2/b^2) \cdot 1/EJ \, dx + 1 \cdot 1/4 \cdot b/EJ = \left[x - x^2/b + 1/3 x^3/b^2 \right]_0^b \cdot 1/EJ + 1 \cdot 1/4 \cdot b/EJ$$

$$= (b - b + 1/3 b) \cdot 1/EJ + 1 \cdot 1/4 \cdot b/EJ = 7/12 \cdot b/EJ$$

$$L_{BA}^{xx} = \int_0^b (x^2/b^2) \cdot 1/EJ \, dx + 1 \cdot 1/4 \cdot b/EJ = \left[1/3 x^3/b^2 \right]_0^b \cdot 1/EJ + 1 \cdot 1/4 \cdot b/EJ$$

$$= (1/3 b) \cdot 1/EJ + 1 \cdot 1/4 \cdot b/EJ = 7/12 \cdot b/EJ$$

$$L_{AD}^{xx} = \int_0^{2b} (1) \cdot 1/EJ \, dx = \left[x \right]_0^{2b} \cdot 1/EJ$$

$$= (2b) \cdot 1/EJ = 2 \cdot b/EJ$$

$$L_{DA}^{xx} = \int_0^{2b} (1) \cdot 1/EJ \, dx = \left[x \right]_0^{2b} \cdot 1/EJ$$

$$= (2b) \cdot 1/EJ = 2 \cdot b/EJ$$

$$L_{DE}^{xx} = \int_0^b (1 - 2x/b + x^2/b^2) \cdot 1/EJ \, dx = \left[x - x^2/b + 1/3 x^3/b^2 \right]_0^b \cdot 1/EJ$$

$$= (b - b + 1/3 b) \cdot 1/EJ = 1/3 \cdot b/EJ$$

$$L_{ED}^{xx} = \int_0^b (x^2/b^2) \cdot 1/EJ \, dx = \left[1/3 x^3/b^2 \right]_0^b \cdot 1/EJ$$

$$= (1/3 b) \cdot 1/EJ = 1/3 \cdot b/EJ$$

$$L_{AB}^{xo} = \int_0^b (3/2 x/b - x^2/b^2 - 1/2 x^3/b^3) \cdot Fb \cdot 1/EJ \, dx + 1 \cdot 0 \cdot 1/4 \cdot Fb^2/EJ$$

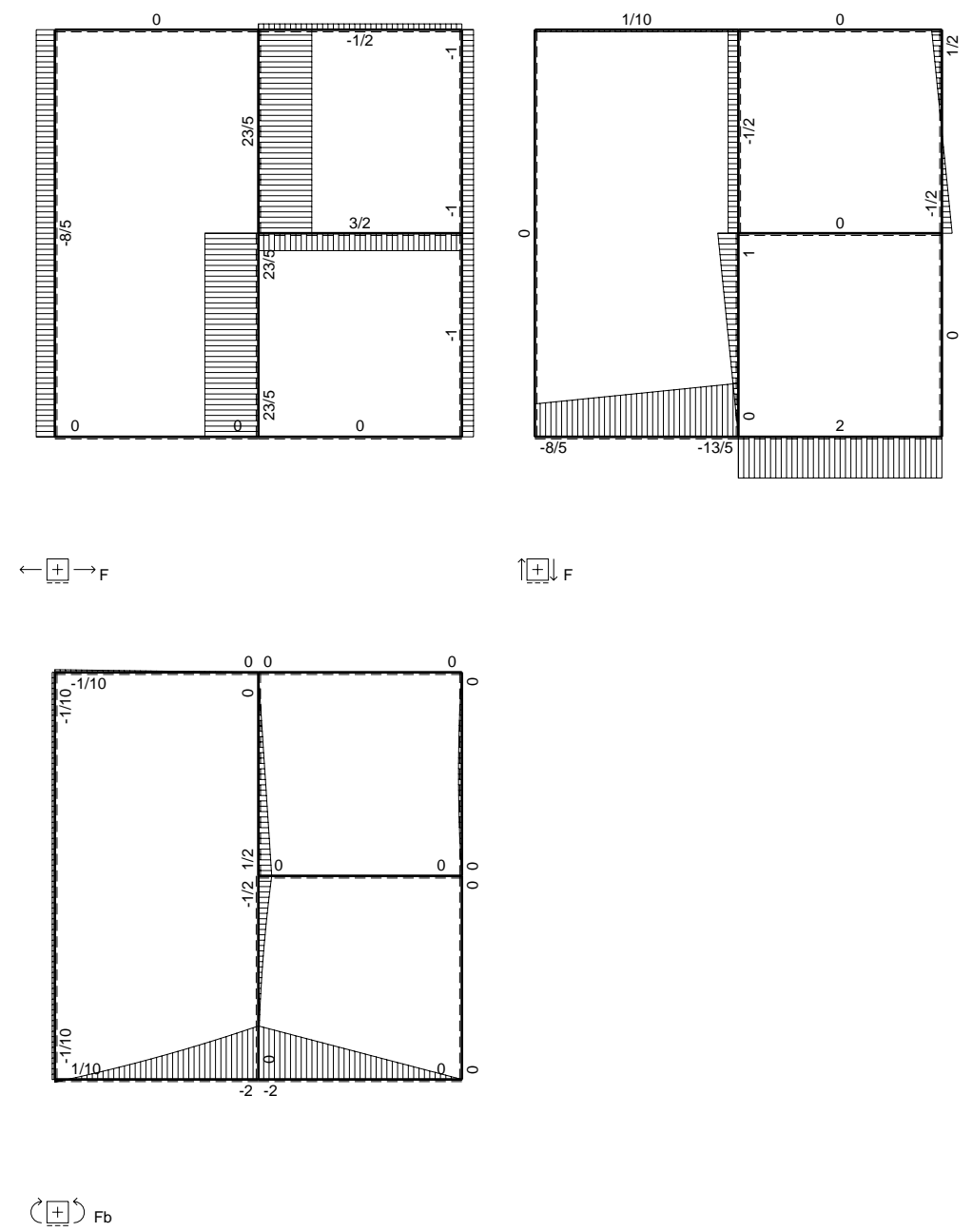
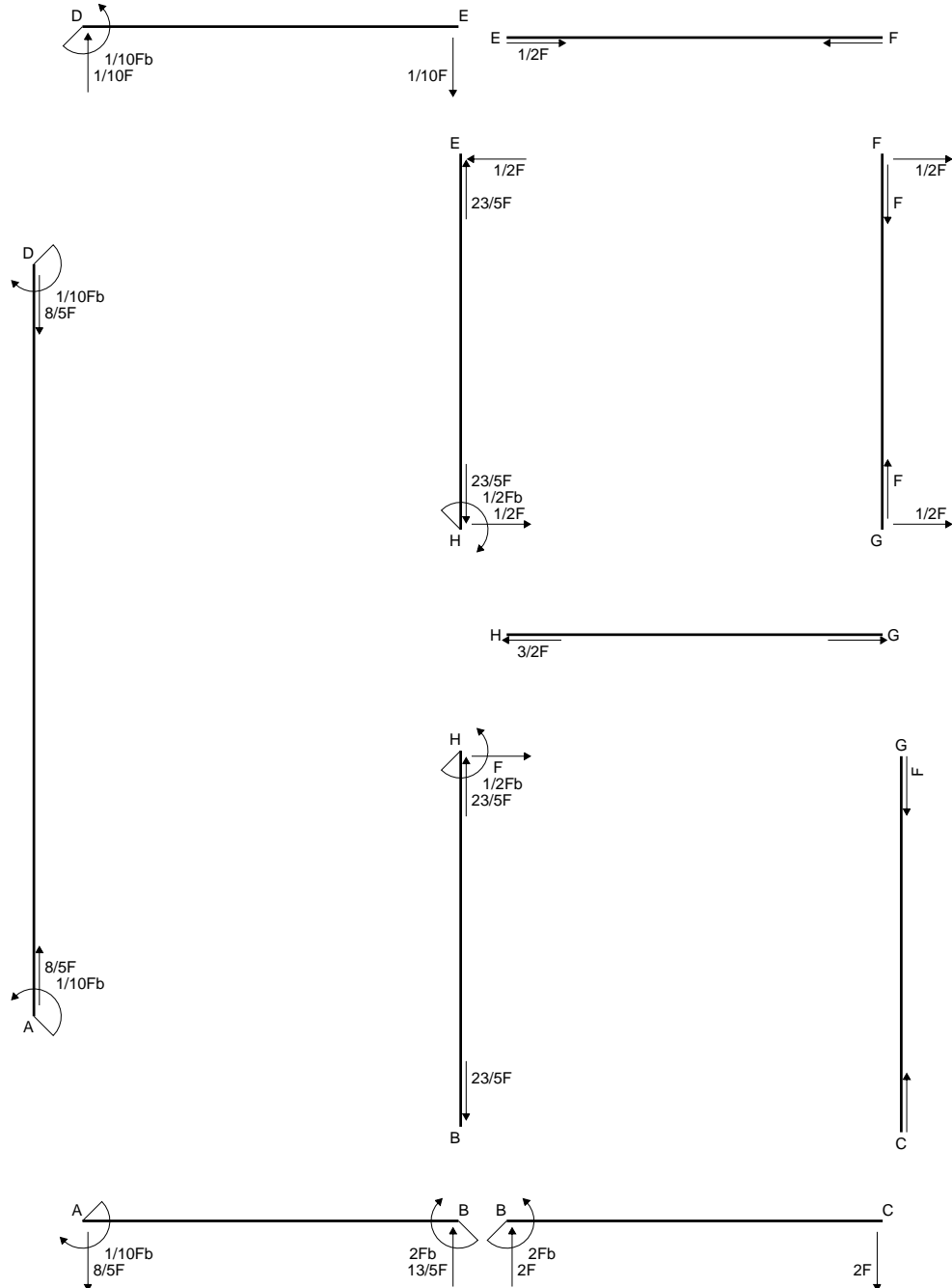
$$= \left[3/4 x^2/b - 1/3 x^3/b^2 - 1/8 x^4/b^3 \right]_0^b \cdot Fb \cdot 1/EJ + 1 \cdot 0 \cdot 1/4 \cdot Fb^2/EJ$$

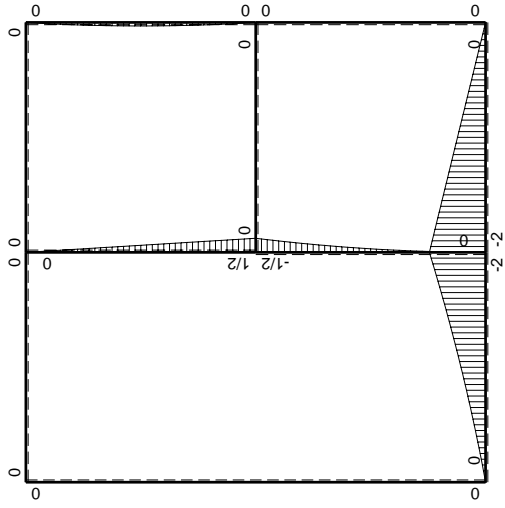
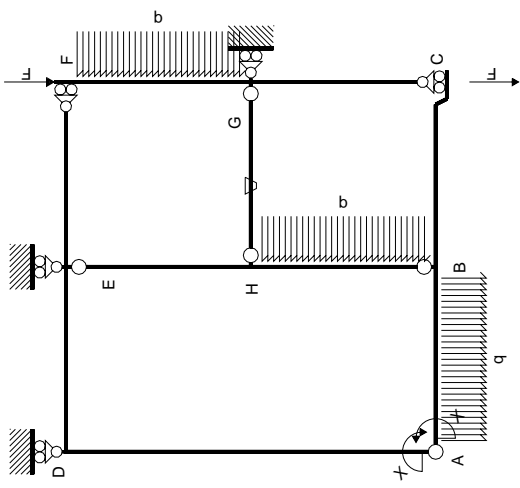
$$= (3/4 b - 1/3 b - 1/8 b) \cdot Fb \cdot 1/EJ + 1 \cdot 0 \cdot 1/4 \cdot Fb^2/EJ = 7/24 \cdot Fb^2/EJ$$

$$L_{BA}^{xo} = \int_0^b (2x/b - 5/2 x^2/b^2 + 1/2 x^3/b^3) \cdot Fb \cdot 1/EJ \, dx + 1 \cdot 0 \cdot 1/4 \cdot Fb^2/EJ$$

$$= \left[x^2/b - 5/6 x^3/b^2 + 1/8 x^4/b^3 \right]_0^b \cdot Fb \cdot 1/EJ + 1 \cdot 0 \cdot 1/4 \cdot Fb^2/EJ$$

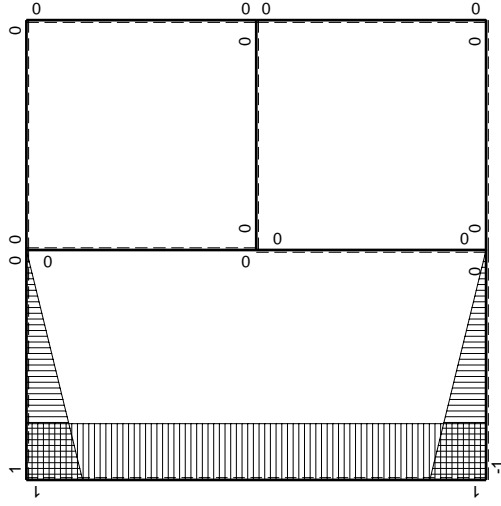
$$= (b - 5/6 b + 1/8 b) \cdot Fb \cdot 1/EJ + 1 \cdot 0 \cdot 1/4 \cdot Fb^2/EJ = 7/24 \cdot Fb^2/EJ$$





Schema di calcolo iperstatico

M_0 flessione da carichi assegnati



M_x flessione da iperstatica $X=1$

Quadro contributi PLV per iperstatica $X=W_{AB}$

→	$M_x(x)$	$M_o(x)$	θ	$M_x M_o$	$M_x \theta$	$M_x M_x$	$\int M_x(M_o/EJ+\theta)dx$	$\int X M_x M_x/EJ dx$	
AB b	$-1+x/b$	$-3/2Fx-1/2qx^2$	0	$3/2Fx-Fx^2/b-1/2qx^3/b$	0	$1-2x/b+x^2/b^2$	$(7/24+0)Fb^2/EJ$	$1/3Xb/EJ$	
BA b	x/b	$2Fb-5/2Fx+1/2qx^2$	0	$2Fx-5/2Fx^2/b+1/2qx^3/b$	0	x^2/b^2			
BC b	0	$-2Fb+2Fx$	0	0	0	0	0+0	0	
CB b	0	$2Fx$	0	0	0	0			
AD 2b	1	0	0	0	0	1	0+0	$2Xb/EJ$	
DA 2b	-1	0	0	0	0	1			
DE b	$1-x/b$	0	0	0	0	$1-2x/b+x^2/b^2$	0+0	$1/3Xb/EJ$	
ED b	$-x/b$	0	0	0	0	x^2/b^2			
EF b	0	0	0	0	0	0	0+0	0	
FE b	0	0	0	0	0	0			
FG b	0	$1/2Fx-1/2qx^2$	0	0	0	0	0+0	0	
GF b	0	$-1/2Fx+1/2qx^2$	0	0	0	0			
GC b	0	0	0	0	0	0	0+0	0	
CG b	0	0	0	0	0	0			
HG b	0	0	$-Fb/EJ$	0	0	0	0+0	0	
GH b	0	0	Fb/EJ	0	0	0			
HB b	0	$-1/2Fb+Fx-1/2qx^2$	0	0	0	0	0+0	0	
BH b	0	$1/2qx^2$	0	0	0	0			
HE b	0	$1/2Fb-1/2Fx$	0	0	0	0	0+0	0	
EH b	0	$-1/2Fx$	0	0	0	0			
AB	molla asta $-W_{1AB} (W_{0AB} + XW_{1AB})/k_{AB}$								$1/4Xb/EJ$
	totali							$7/24Fb^2/EJ$	$35/12Xb/EJ$
	iperstatica $X=W_{AB}$							$-1/10Fb$	

Sviluppi di calcolo iperstatica

$$L_{AB}^{xx} = \int_0^b (1 - 2x/b + x^2/b^2) \frac{1}{EJ} dx + 1 \cdot 1 \cdot \frac{1}{4} \frac{b}{EJ} = \left[x - \frac{x^2}{b} + \frac{1}{3} \frac{x^3}{b^2} \right]_0^b \frac{1}{EJ} + 1 \cdot 1 \cdot \frac{1}{4} \frac{b}{EJ}$$

$$= (b - b + \frac{1}{3}b) \frac{1}{EJ} + 1 \cdot 1 \cdot \frac{1}{4} \frac{b}{EJ} = \frac{7}{12} \frac{b}{EJ}$$

$$L_{BA}^{xx} = \int_0^b (x^2/b^2) \frac{1}{EJ} dx + 1 \cdot 1 \cdot \frac{1}{4} \frac{b}{EJ} = \left[\frac{1}{3} \frac{x^3}{b^2} \right]_0^b \frac{1}{EJ} + 1 \cdot 1 \cdot \frac{1}{4} \frac{b}{EJ}$$

$$= (\frac{1}{3}b) \frac{1}{EJ} + 1 \cdot 1 \cdot \frac{1}{4} \frac{b}{EJ} = \frac{7}{12} \frac{b}{EJ}$$

$$L_{AD}^{xx} = \int_0^{2b} (1) \frac{1}{EJ} dx = \left[x \right]_0^{2b} \frac{1}{EJ}$$

$$= (2b) \frac{1}{EJ} = 2 \frac{b}{EJ}$$

$$L_{DA}^{xx} = \int_0^{2b} (1) \frac{1}{EJ} dx = \left[x \right]_0^{2b} \frac{1}{EJ}$$

$$= (2b) \frac{1}{EJ} = 2 \frac{b}{EJ}$$

$$L_{DE}^{xx} = \int_0^b (1 - 2x/b + x^2/b^2) \frac{1}{EJ} dx = \left[x - \frac{x^2}{b} + \frac{1}{3} \frac{x^3}{b^2} \right]_0^b \frac{1}{EJ}$$

$$= (b - b + \frac{1}{3}b) \frac{1}{EJ} = \frac{1}{3} \frac{b}{EJ}$$

$$L_{ED}^{xx} = \int_0^b (x^2/b^2) \frac{1}{EJ} dx = \left[\frac{1}{3} \frac{x^3}{b^2} \right]_0^b \frac{1}{EJ}$$

$$= (\frac{1}{3}b) \frac{1}{EJ} = \frac{1}{3} \frac{b}{EJ}$$

$$L_{AB}^{xo} = \int_0^b (3/2 x/b - x^2/b^2 - 1/2 x^3/b^3) Fb \frac{1}{EJ} dx + 1 \cdot 0 \cdot \frac{1}{4} \frac{Fb^2}{EJ}$$

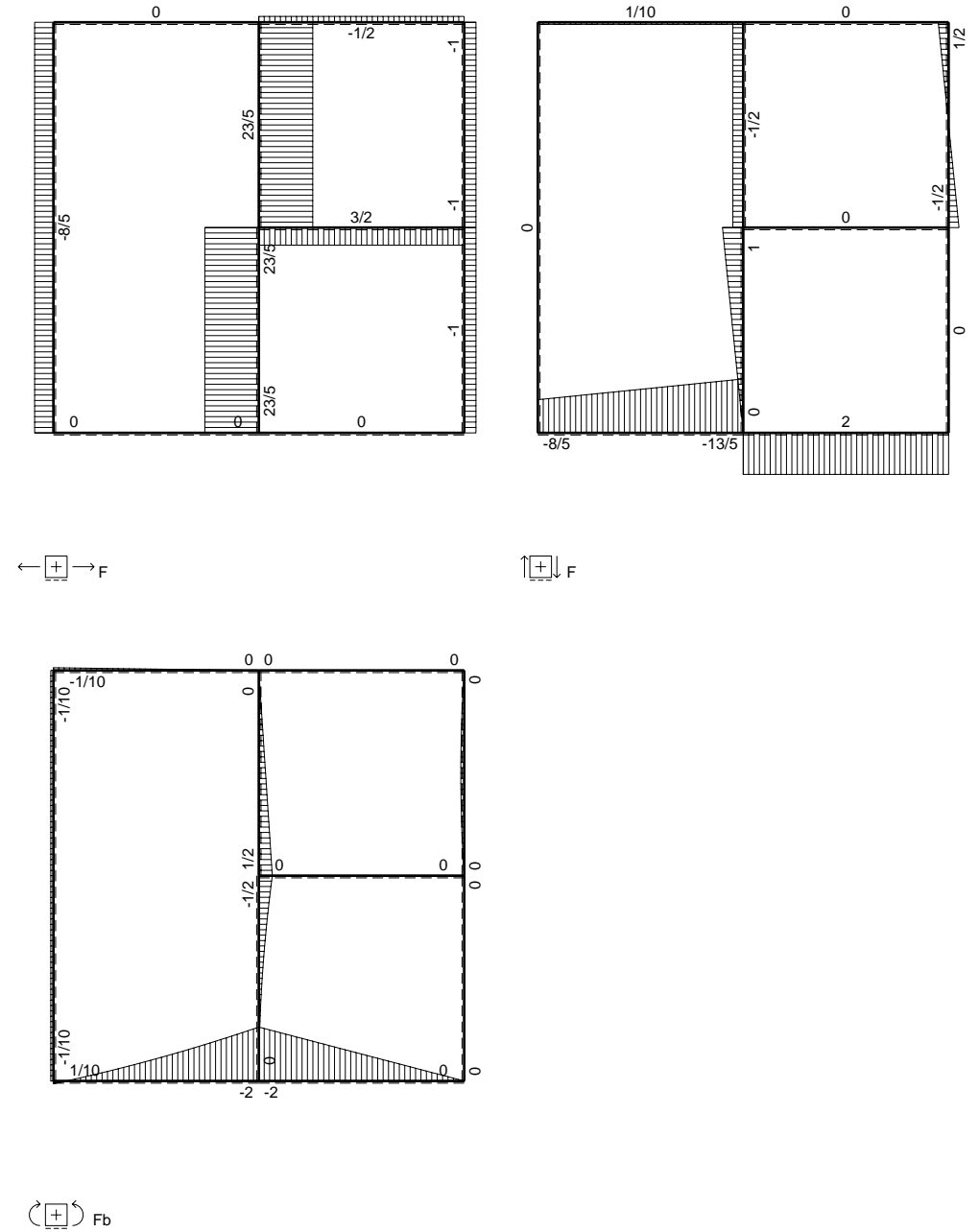
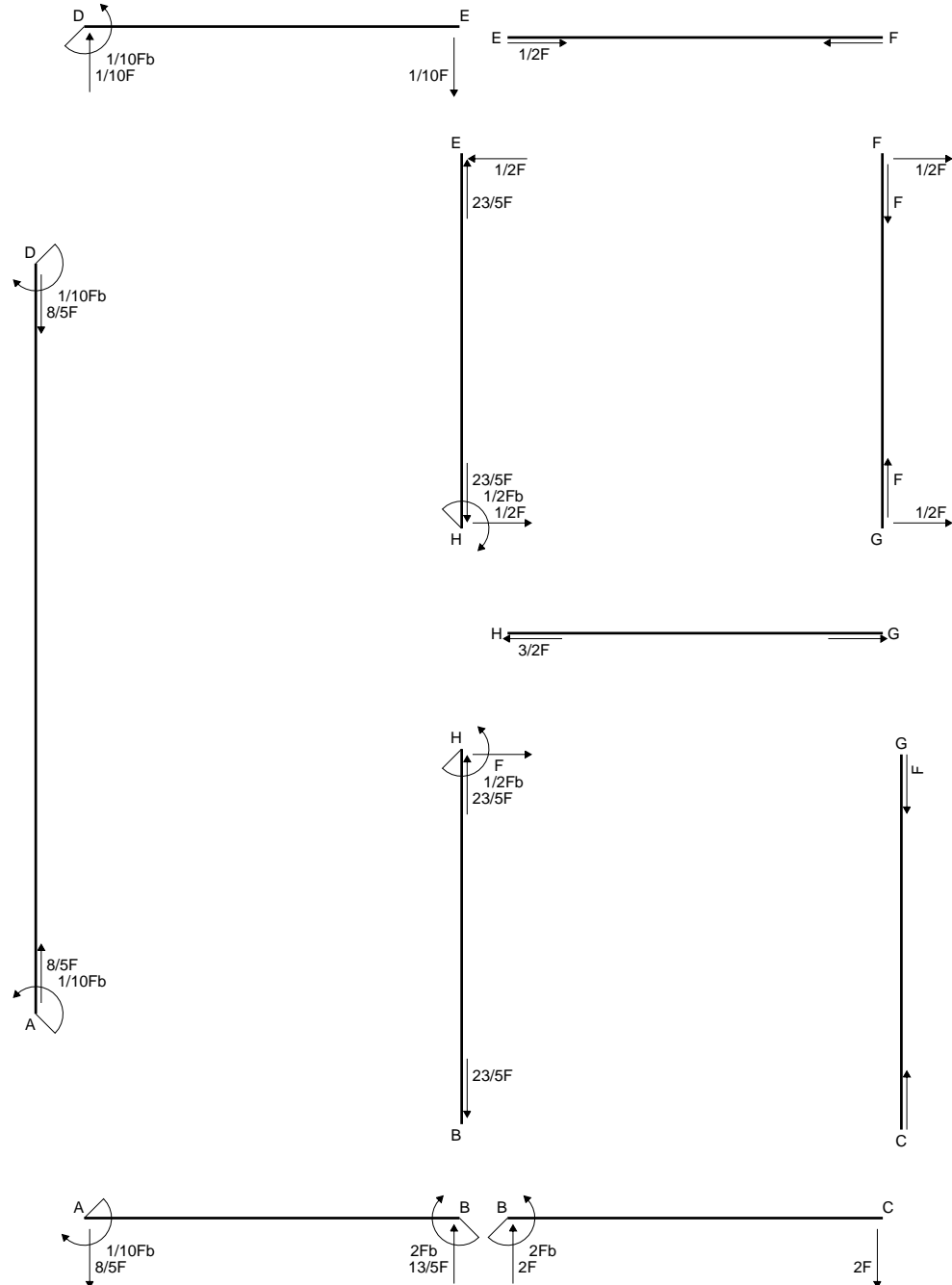
$$= \left[\frac{3}{4} \frac{x^2}{b} - \frac{1}{3} \frac{x^3}{b^2} - \frac{1}{8} \frac{x^4}{b^3} \right]_0^b Fb \frac{1}{EJ} + 1 \cdot 0 \cdot \frac{1}{4} \frac{Fb^2}{EJ}$$

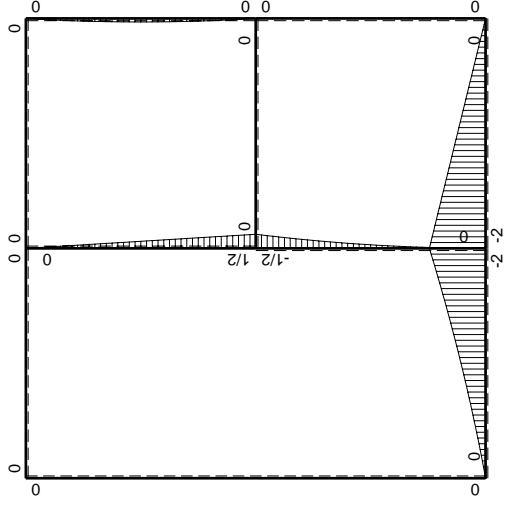
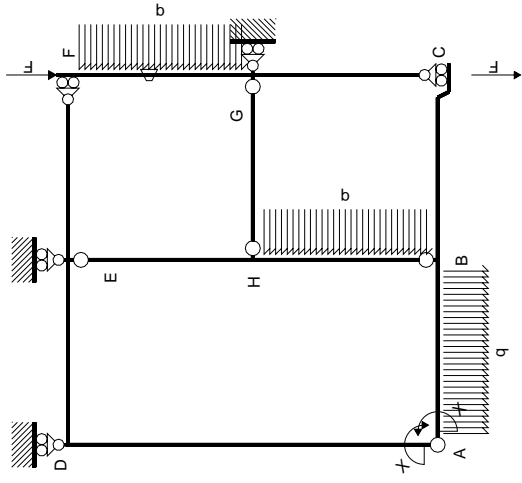
$$= (\frac{3}{4}b - \frac{1}{3}b - \frac{1}{8}b) Fb \frac{1}{EJ} + 1 \cdot 0 \cdot \frac{1}{4} \frac{Fb^2}{EJ} = \frac{7}{24} \frac{Fb^2}{EJ}$$

$$L_{BA}^{xo} = \int_0^b (2x/b - 5/2 x^2/b^2 + 1/2 x^3/b^3) Fb \frac{1}{EJ} dx + 1 \cdot 0 \cdot \frac{1}{4} \frac{Fb^2}{EJ}$$

$$= \left[\frac{x^2}{b} - \frac{5}{6} \frac{x^3}{b^2} + \frac{1}{8} \frac{x^4}{b^3} \right]_0^b Fb \frac{1}{EJ} + 1 \cdot 0 \cdot \frac{1}{4} \frac{Fb^2}{EJ}$$

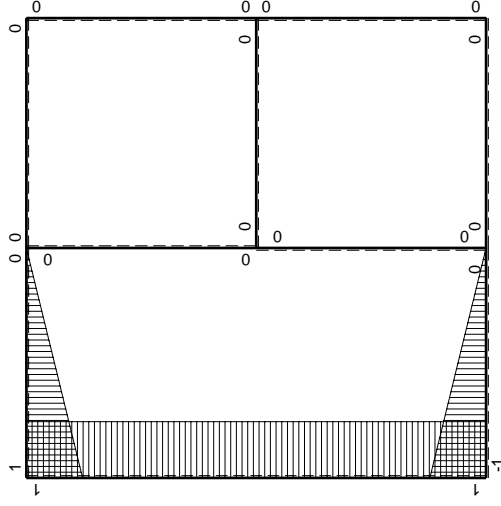
$$= (b - \frac{5}{6}b + \frac{1}{8}b) Fb \frac{1}{EJ} + 1 \cdot 0 \cdot \frac{1}{4} \frac{Fb^2}{EJ} = \frac{7}{24} \frac{Fb^2}{EJ}$$





Schema di calcolo iperstatico

M_0 flessione da carichi assegnati



M_x flessione da iperstatica $X=1$

Quadro contributi PLV per iperstatica $X=W_{AB}$

→	$M_x(x)$	$M_o(x)$	θ	$M_x M_o$	$M_x \theta$	$M_x M_x$	$\int M_x(M_o/EJ+\theta)dx$	$\int X M_x M_x/EJ dx$	
AB b	$-1+x/b$	$-3/2Fx-1/2qx^2$	0	$3/2Fx-Fx^2/b-1/2qx^3/b$	0	$1-2x/b+x^2/b^2$	$(7/24+0)Fb^2/EJ$	$1/3Xb/EJ$	
BA b	x/b	$2Fb-5/2Fx+1/2qx^2$	0	$2Fx-5/2Fx^2/b+1/2qx^3/b$	0	x^2/b^2			
BC b	0	$-2Fb+2Fx$	0	0	0	0	0+0	0	
CB b	0	$2Fx$	0	0	0	0			
AD 2b	1	0	0	0	0	1	0+0	$2Xb/EJ$	
DA 2b	-1	0	0	0	0	1			
DE b	$1-x/b$	0	0	0	0	$1-2x/b+x^2/b^2$	0+0	$1/3Xb/EJ$	
ED b	$-x/b$	0	0	0	0	x^2/b^2			
EF b	0	0	0	0	0	0	0+0	0	
FE b	0	0	0	0	0	0			
FG b	0	$1/2Fx-1/2qx^2$	$-Fb/EJ$	0	0	0	0+0	0	
GF b	0	$-1/2Fx+1/2qx^2$	Fb/EJ	0	0	0			
GC b	0	0	0	0	0	0	0+0	0	
CG b	0	0	0	0	0	0			
HG b	0	0	0	0	0	0	0+0	0	
GH b	0	0	0	0	0	0			
HB b	0	$-1/2Fb+Fx-1/2qx^2$	0	0	0	0	0+0	0	
BH b	0	$1/2qx^2$	0	0	0	0			
HE b	0	$1/2Fb-1/2Fx$	0	0	0	0	0+0	0	
EH b	0	$-1/2Fx$	0	0	0	0			
AB	molla asta $-W_{1AB}(W_{0AB}+XW_{1AB})/k_{AB}$								$1/4Xb/EJ$
	totali							$7/24Fb^2/EJ$	$35/12Xb/EJ$
	iperstatica $X=W_{AB}$							$-1/10Fb$	

Sviluppi di calcolo iperstatica

$$L_{AB}^{xx} = \int_0^b (1 - 2x/b + x^2/b^2) \frac{1}{EJ} dx + 1 \cdot 1 \cdot \frac{1}{4} \frac{b}{EJ} = \left[x - \frac{x^2}{b} + \frac{1}{3} \frac{x^3}{b^2} \right]_0^b \frac{1}{EJ} + 1 \cdot 1 \cdot \frac{1}{4} \frac{b}{EJ}$$

$$= (b - b + \frac{1}{3}b) \frac{1}{EJ} + 1 \cdot 1 \cdot \frac{1}{4} \frac{b}{EJ} = \frac{7}{12} \frac{b}{EJ}$$

$$L_{BA}^{xx} = \int_0^b (x^2/b^2) \frac{1}{EJ} dx + 1 \cdot 1 \cdot \frac{1}{4} \frac{b}{EJ} = \left[\frac{1}{3} \frac{x^3}{b^2} \right]_0^b \frac{1}{EJ} + 1 \cdot 1 \cdot \frac{1}{4} \frac{b}{EJ}$$

$$= (\frac{1}{3}b) \frac{1}{EJ} + 1 \cdot 1 \cdot \frac{1}{4} \frac{b}{EJ} = \frac{7}{12} \frac{b}{EJ}$$

$$L_{AD}^{xx} = \int_0^{2b} (1) \frac{1}{EJ} dx = \left[x \right]_0^{2b} \frac{1}{EJ}$$

$$= (2b) \frac{1}{EJ} = 2 \frac{b}{EJ}$$

$$L_{DA}^{xx} = \int_0^{2b} (1) \frac{1}{EJ} dx = \left[x \right]_0^{2b} \frac{1}{EJ}$$

$$= (2b) \frac{1}{EJ} = 2 \frac{b}{EJ}$$

$$L_{DE}^{xx} = \int_0^b (1 - 2x/b + x^2/b^2) \frac{1}{EJ} dx = \left[x - \frac{x^2}{b} + \frac{1}{3} \frac{x^3}{b^2} \right]_0^b \frac{1}{EJ}$$

$$= (b - b + \frac{1}{3}b) \frac{1}{EJ} = \frac{1}{3} \frac{b}{EJ}$$

$$L_{ED}^{xx} = \int_0^b (x^2/b^2) \frac{1}{EJ} dx = \left[\frac{1}{3} \frac{x^3}{b^2} \right]_0^b \frac{1}{EJ}$$

$$= (\frac{1}{3}b) \frac{1}{EJ} = \frac{1}{3} \frac{b}{EJ}$$

$$L_{AB}^{xo} = \int_0^b (3/2 x/b - x^2/b^2 - 1/2 x^3/b^3) Fb \frac{1}{EJ} dx + 1 \cdot 0 \cdot \frac{1}{4} \frac{Fb^2}{EJ}$$

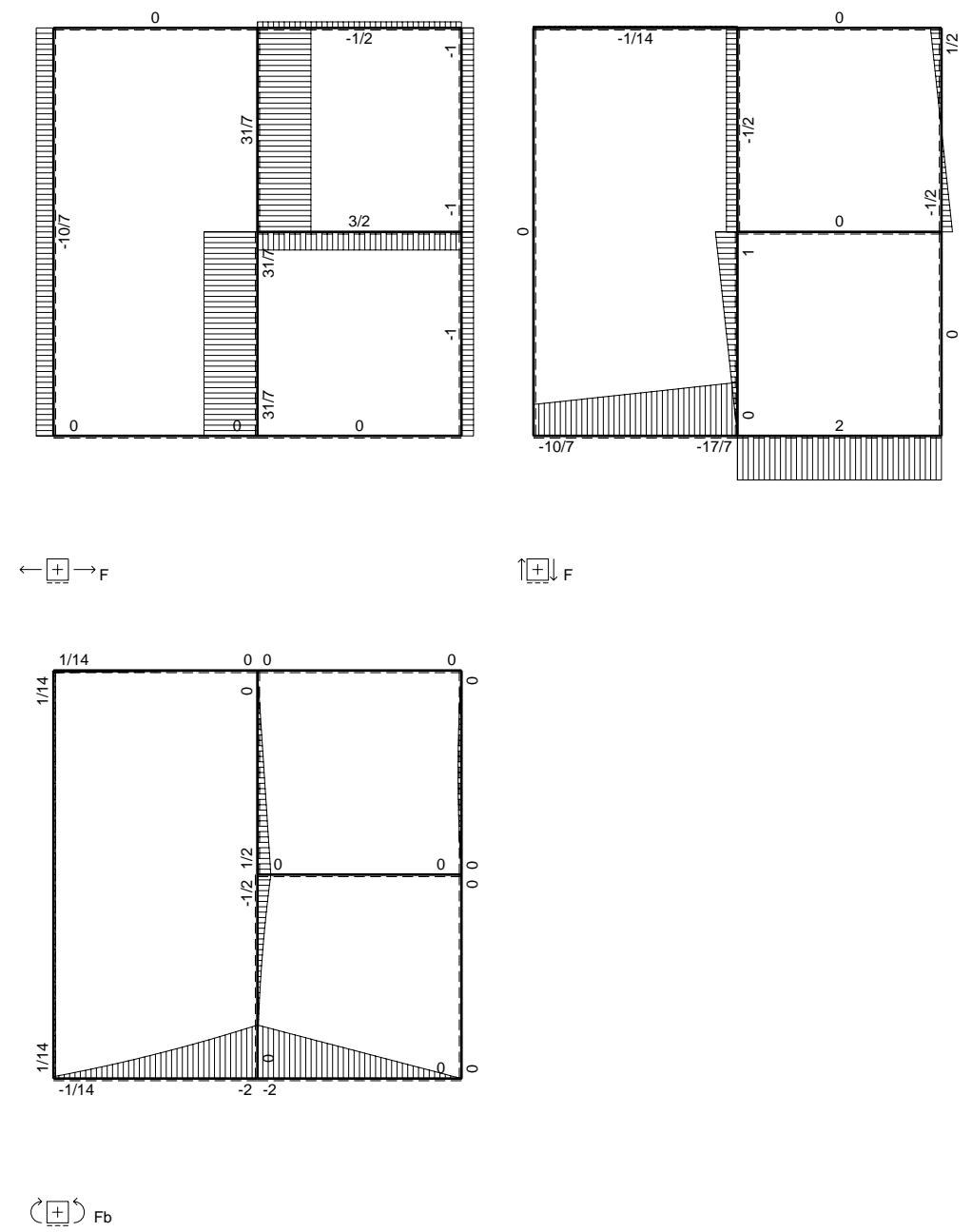
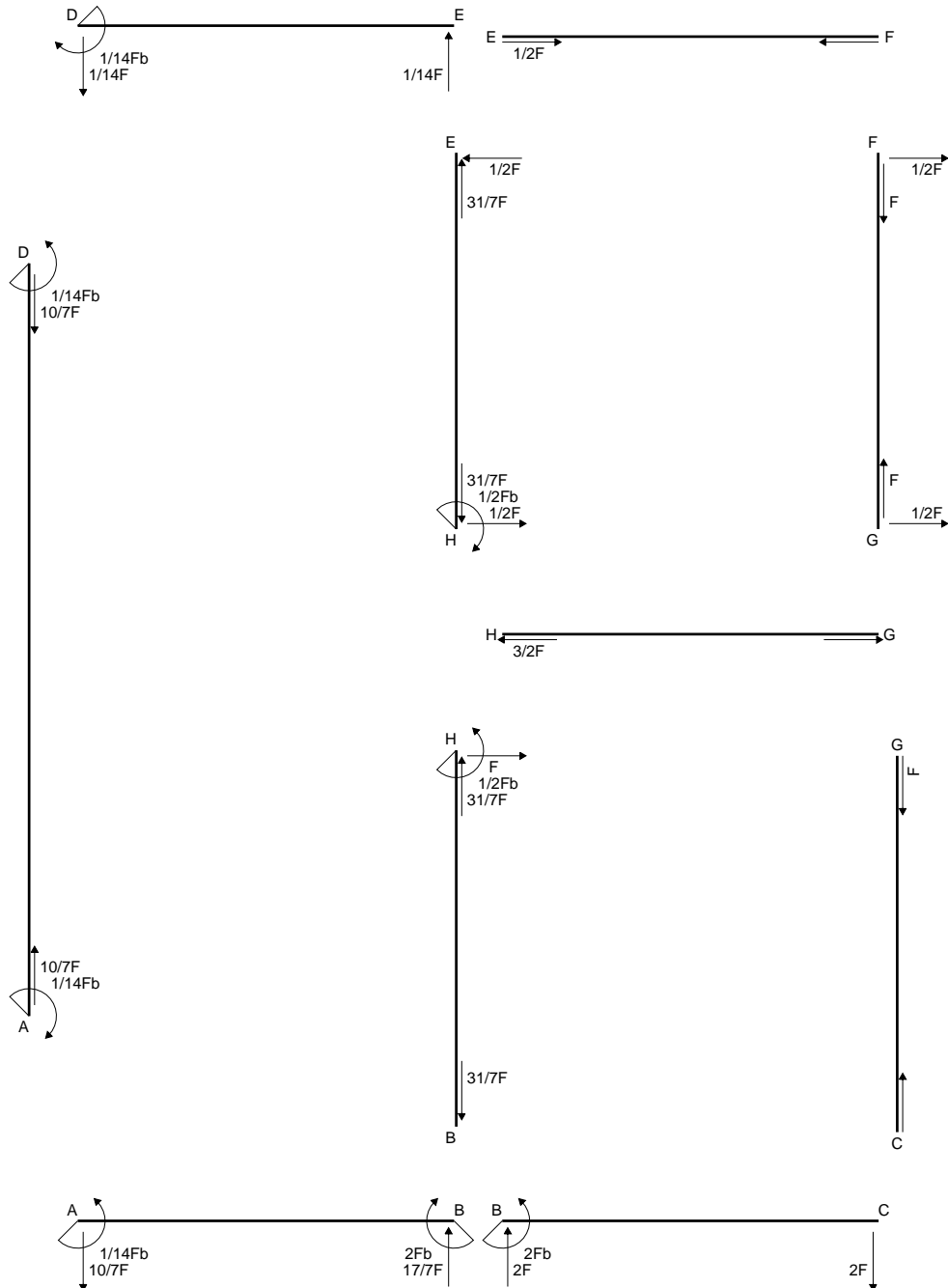
$$= \left[\frac{3}{4} \frac{x^2}{b} - \frac{1}{3} \frac{x^3}{b^2} - \frac{1}{8} \frac{x^4}{b^3} \right]_0^b Fb \frac{1}{EJ} + 1 \cdot 0 \cdot \frac{1}{4} \frac{Fb^2}{EJ}$$

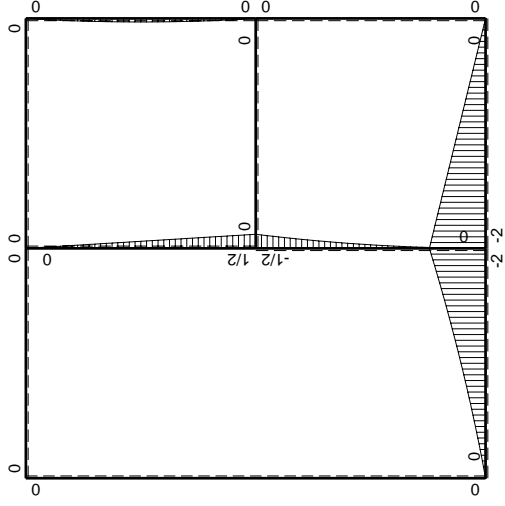
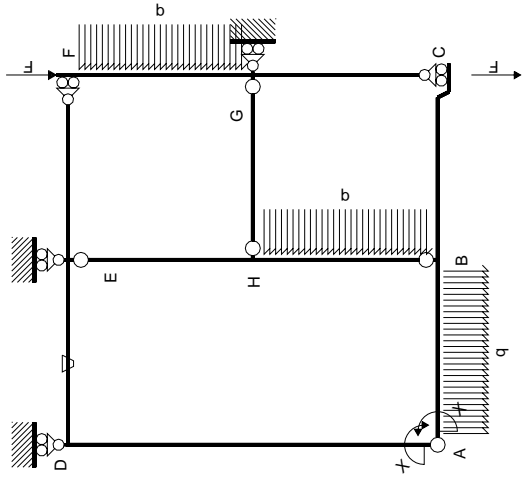
$$= (\frac{3}{4}b - \frac{1}{3}b - \frac{1}{8}b) Fb \frac{1}{EJ} + 1 \cdot 0 \cdot \frac{1}{4} \frac{Fb^2}{EJ} = \frac{7}{24} \frac{Fb^2}{EJ}$$

$$L_{BA}^{xo} = \int_0^b (2x/b - 5/2 x^2/b^2 + 1/2 x^3/b^3) Fb \frac{1}{EJ} dx + 1 \cdot 0 \cdot \frac{1}{4} \frac{Fb^2}{EJ}$$

$$= \left[\frac{x^2}{b} - \frac{5}{6} \frac{x^3}{b^2} + \frac{1}{8} \frac{x^4}{b^3} \right]_0^b Fb \frac{1}{EJ} + 1 \cdot 0 \cdot \frac{1}{4} \frac{Fb^2}{EJ}$$

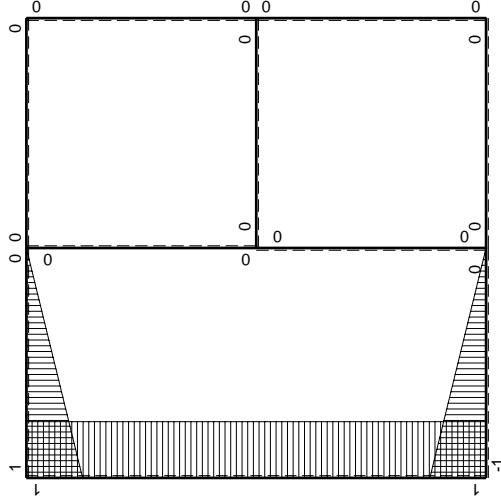
$$= (b - \frac{5}{6}b + \frac{1}{8}b) Fb \frac{1}{EJ} + 1 \cdot 0 \cdot \frac{1}{4} \frac{Fb^2}{EJ} = \frac{7}{24} \frac{Fb^2}{EJ}$$





Schema di calcolo iperstatico

M_0 flessione da carichi assegnati



M_x flessione da iperstatica X=1

Quadro contributi PLV per iperstatica $X=W_{AB}$

→	$M_x(x)$	$M_o(x)$	θ	$M_x M_o$	$M_x \theta$	$M_x M_x$	$\int M_x(M_o/EJ+\theta)dx$	$\int X M_x M_x / EJ dx$	
AB b	$-1+x/b$	$-3/2Fx-1/2qx^2$	0	$3/2Fx-Fx^2/b-1/2qx^3/b$	0	$1-2x/b+x^2/b^2$	$(7/24+0)Fb^2/EJ$	$1/3Xb/EJ$	
BA b	x/b	$2Fb-5/2Fx+1/2qx^2$	0	$2Fx-5/2Fx^2/b+1/2qx^3/b$	0	x^2/b^2			
BC b	0	$-2Fb+2Fx$	0	0	0	0	0+0	0	
CB b	0	$2Fx$	0	0	0	0			
AD 2b	1	0	0	0	0	1	0+0	$2Xb/EJ$	
DA 2b	-1	0	0	0	0	1			
DE b	$1-x/b$	0	$-Fb/EJ$	0	$-Fb/EJ+Fx/EJ$	$1-2x/b+x^2/b^2$	$(0-1/2)Fb^2/EJ$	$1/3Xb/EJ$	
ED b	$-x/b$	0	Fb/EJ	0	$-Fx/EJ$	x^2/b^2			
EF b	0	0	0	0	0	0	0+0	0	
FE b	0	0	0	0	0	0			
FG b	0	$1/2Fx-1/2qx^2$	0	0	0	0	0+0	0	
GF b	0	$-1/2Fx+1/2qx^2$	0	0	0	0			
GC b	0	0	0	0	0	0	0+0	0	
CG b	0	0	0	0	0	0			
HG b	0	0	0	0	0	0	0+0	0	
GH b	0	0	0	0	0	0			
HB b	0	$-1/2Fb+Fx-1/2qx^2$	0	0	0	0	0+0	0	
BH b	0	$1/2qx^2$	0	0	0	0			
HE b	0	$1/2Fb-1/2Fx$	0	0	0	0	0+0	0	
EH b	0	$-1/2Fx$	0	0	0	0			
AB	molla asta $-W_{1AB}(W_{0AB}+XW_{1AB})/k_{AB}$								$1/4Xb/EJ$
	totali							$-5/24Fb^2/EJ$	$35/12Xb/EJ$
	iperstatica $X=W_{AB}$							$1/14Fb$	

Sviluppi di calcolo iperstatica

$$L_{AB}^{xx} = \int_0^b (1 - 2x/b + x^2/b^2) \cdot 1/EJ \, dx + 1 \cdot 1/4 \cdot b/EJ = \left[x - x^2/b + 1/3 x^3/b^2 \right]_0^b \cdot 1/EJ + 1 \cdot 1/4 \cdot b/EJ$$

$$= (b - b + 1/3 b) \cdot 1/EJ + 1 \cdot 1/4 \cdot b/EJ = 7/12 \cdot b/EJ$$

$$L_{BA}^{xx} = \int_0^b (x^2/b^2) \cdot 1/EJ \, dx + 1 \cdot 1/4 \cdot b/EJ = \left[1/3 x^3/b^2 \right]_0^b \cdot 1/EJ + 1 \cdot 1/4 \cdot b/EJ$$

$$= (1/3 b) \cdot 1/EJ + 1 \cdot 1/4 \cdot b/EJ = 7/12 \cdot b/EJ$$

$$L_{AD}^{xx} = \int_0^{2b} (1) \cdot 1/EJ \, dx = \left[x \right]_0^{2b} \cdot 1/EJ$$

$$= (2b) \cdot 1/EJ = 2 \cdot b/EJ$$

$$L_{DA}^{xx} = \int_0^{2b} (1) \cdot 1/EJ \, dx = \left[x \right]_0^{2b} \cdot 1/EJ$$

$$= (2b) \cdot 1/EJ = 2 \cdot b/EJ$$

$$L_{DE}^{xx} = \int_0^b (1 - 2x/b + x^2/b^2) \cdot 1/EJ \, dx = \left[x - x^2/b + 1/3 x^3/b^2 \right]_0^b \cdot 1/EJ$$

$$= (b - b + 1/3 b) \cdot 1/EJ = 1/3 \cdot b/EJ$$

$$L_{ED}^{xx} = \int_0^b (x^2/b^2) \cdot 1/EJ \, dx = \left[1/3 x^3/b^2 \right]_0^b \cdot 1/EJ$$

$$= (1/3 b) \cdot 1/EJ = 1/3 \cdot b/EJ$$

$$L_{AB}^{xo} = \int_0^b (3/2 x/b - x^2/b^2 - 1/2 x^3/b^3) \cdot Fb \cdot 1/EJ \, dx + 1 \cdot 0 \cdot 1/4 \cdot Fb^2/EJ$$

$$= \left[3/4 x^2/b - 1/3 x^3/b^2 - 1/8 x^4/b^3 \right]_0^b \cdot Fb \cdot 1/EJ + 1 \cdot 0 \cdot 1/4 \cdot Fb^2/EJ$$

$$= (3/4 b - 1/3 b - 1/8 b) \cdot Fb \cdot 1/EJ + 1 \cdot 0 \cdot 1/4 \cdot Fb^2/EJ = 7/24 \cdot Fb^2/EJ$$

$$L_{BA}^{xo} = \int_0^b (2x/b - 5/2 x^2/b^2 + 1/2 x^3/b^3) \cdot Fb \cdot 1/EJ \, dx + 1 \cdot 0 \cdot 1/4 \cdot Fb^2/EJ$$

$$= \left[x^2/b - 5/6 x^3/b^2 + 1/8 x^4/b^3 \right]_0^b \cdot Fb \cdot 1/EJ + 1 \cdot 0 \cdot 1/4 \cdot Fb^2/EJ$$

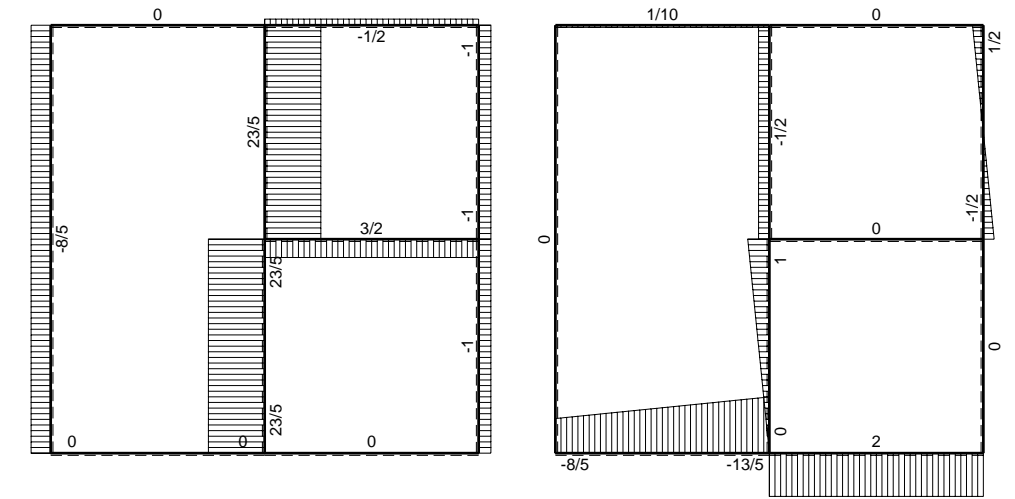
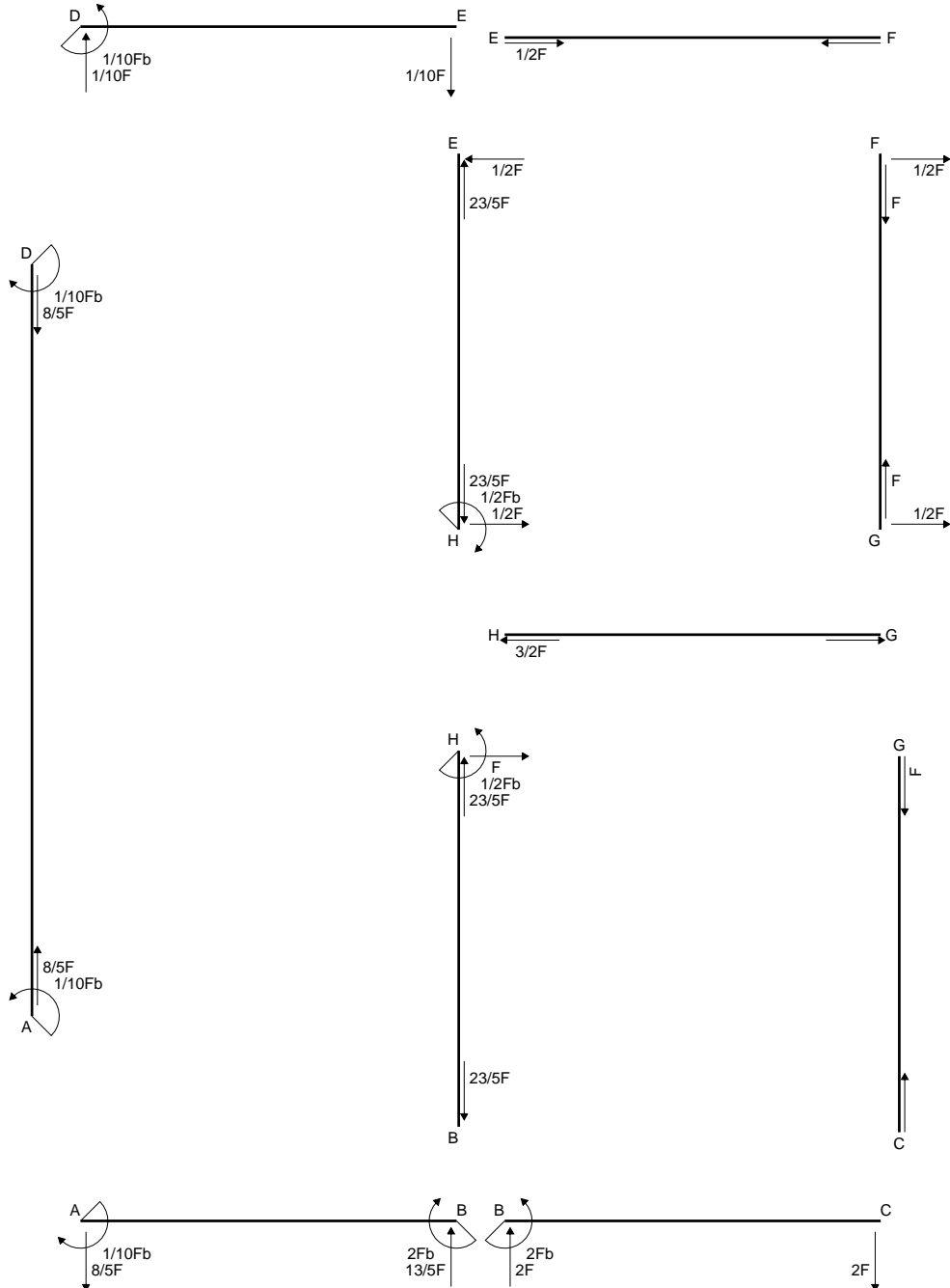
$$= (b - 5/6 b + 1/8 b) \cdot Fb \cdot 1/EJ + 1 \cdot 0 \cdot 1/4 \cdot Fb^2/EJ = 7/24 \cdot Fb^2/EJ$$

$$L_{DE}^{xo} = \int_0^b (-1 + x/b) \cdot \theta \, dx = \left[-x + 1/2 x^2/b \right]_0^b \cdot \theta$$

$$= (-b + 1/2 b) \cdot \theta = -1/2 \cdot Fb^2/EJ$$

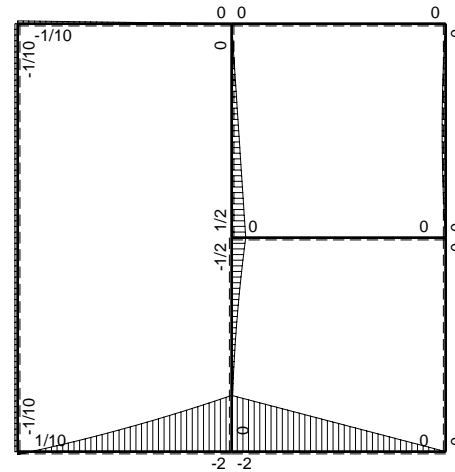
$$L_{ED}^{xo} = \int_0^b (x/b) \cdot \theta \, dx = \left[1/2 x^2/b \right]_0^b \cdot \theta$$

$$= (1/2 b) \cdot \theta = -1/2 \cdot Fb^2/EJ$$

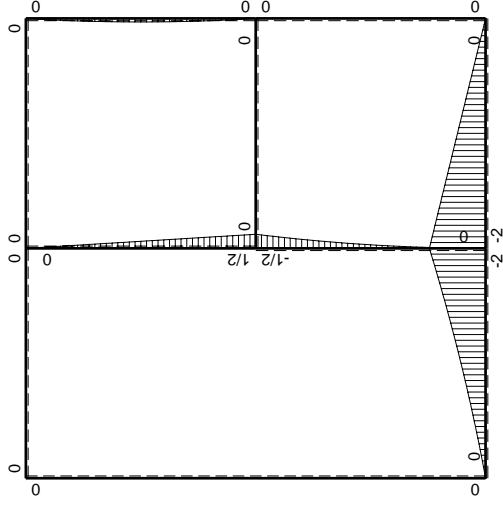
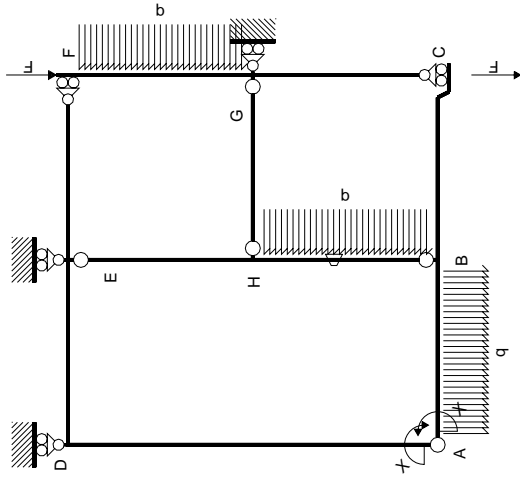


← \oplus → F

↑ \oplus ↓ F

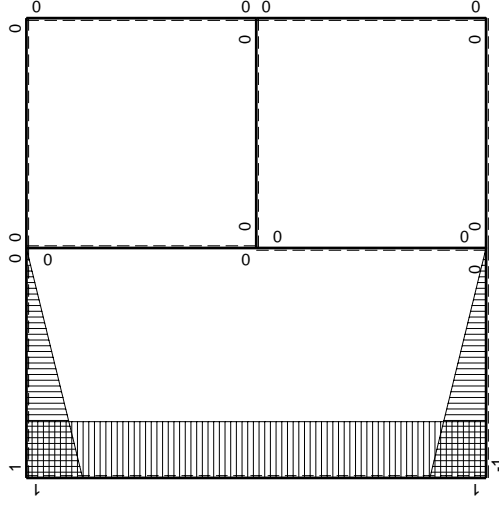


⊕ \oplus ⊖ Fb



Schema di calcolo iperstatico

M_0 flessione da carichi assegnati



M_x flessione da iperstatica X=1

Quadro contributi PLV per iperstatica $X=W_{AB}$

→	$M_x(x)$	$M_o(x)$	θ	$M_x M_o$	$M_x \theta$	$M_x M_x$	$\int M_x(M_o/EJ+\theta)dx$	$\int X M_x M_x/EJ dx$	
AB b	$-1+x/b$	$-3/2Fx-1/2qx^2$	0	$3/2Fx-Fx^2/b-1/2qx^3/b$	0	$1-2x/b+x^2/b^2$	$(7/24+0)Fb^2/EJ$	$1/3Xb/EJ$	
BA b	x/b	$2Fb-5/2Fx+1/2qx^2$	0	$2Fx-5/2Fx^2/b+1/2qx^3/b$	0	x^2/b^2			
BC b	0	$-2Fb+2Fx$	0	0	0	0	0+0	0	
CB b	0	$2Fx$	0	0	0	0			
AD 2b	1	0	0	0	0	1	0+0	$2Xb/EJ$	
DA 2b	-1	0	0	0	0	1			
DE b	$1-x/b$	0	0	0	0	$1-2x/b+x^2/b^2$	0+0	$1/3Xb/EJ$	
ED b	$-x/b$	0	0	0	0	x^2/b^2			
EF b	0	0	0	0	0	0	0+0	0	
FE b	0	0	0	0	0	0			
FG b	0	$1/2Fx-1/2qx^2$	0	0	0	0	0+0	0	
GF b	0	$-1/2Fx+1/2qx^2$	0	0	0	0			
GC b	0	0	0	0	0	0	0+0	0	
CG b	0	0	0	0	0	0			
HG b	0	0	0	0	0	0	0+0	0	
GH b	0	0	0	0	0	0			
HB b	0	$-1/2Fb+Fx-1/2qx^2$	$-Fb/EJ$	0	0	0	0+0	0	
BH b	0	$1/2qx^2$	Fb/EJ	0	0	0			
HE b	0	$1/2Fb-1/2Fx$	0	0	0	0	0+0	0	
EH b	0	$-1/2Fx$	0	0	0	0			
AB	molla asta $-W_{1AB}(W_{0AB}+XW_{1AB})/k_{AB}$								$1/4Xb/EJ$
	totali							$7/24Fb^2/EJ$	$35/12Xb/EJ$
	iperstatica $X=W_{AB}$							$-1/10Fb$	

Sviluppi di calcolo iperstatica

$$L_{AB}^{xx} = \int_0^b (1 - 2x/b + x^2/b^2) \frac{1}{EJ} dx + 1 \cdot 1/4 \cdot b/EJ = \left[x - x^2/b + 1/3 x^3/b^2 \right]_0^b \frac{1}{EJ} + 1 \cdot 1/4 \cdot b/EJ$$

$$= (b - b + 1/3 b) \frac{1}{EJ} + 1 \cdot 1/4 \cdot b/EJ = 7/12 \cdot b/EJ$$

$$L_{BA}^{xx} = \int_0^b (x^2/b^2) \frac{1}{EJ} dx + 1 \cdot 1/4 \cdot b/EJ = \left[1/3 x^3/b^2 \right]_0^b \frac{1}{EJ} + 1 \cdot 1/4 \cdot b/EJ$$

$$= (1/3 b) \frac{1}{EJ} + 1 \cdot 1/4 \cdot b/EJ = 7/12 \cdot b/EJ$$

$$L_{AD}^{xx} = \int_0^{2b} (1) \frac{1}{EJ} dx = \left[x \right]_0^{2b} \frac{1}{EJ}$$

$$= (2b) \frac{1}{EJ} = 2 \cdot b/EJ$$

$$L_{DA}^{xx} = \int_0^{2b} (1) \frac{1}{EJ} dx = \left[x \right]_0^{2b} \frac{1}{EJ}$$

$$= (2b) \frac{1}{EJ} = 2 \cdot b/EJ$$

$$L_{DE}^{xx} = \int_0^b (1 - 2x/b + x^2/b^2) \frac{1}{EJ} dx = \left[x - x^2/b + 1/3 x^3/b^2 \right]_0^b \frac{1}{EJ}$$

$$= (b - b + 1/3 b) \frac{1}{EJ} = 1/3 \cdot b/EJ$$

$$L_{ED}^{xx} = \int_0^b (x^2/b^2) \frac{1}{EJ} dx = \left[1/3 x^3/b^2 \right]_0^b \frac{1}{EJ}$$

$$= (1/3 b) \frac{1}{EJ} = 1/3 \cdot b/EJ$$

$$L_{AB}^{xo} = \int_0^b (3/2 x/b - x^2/b^2 - 1/2 x^3/b^3) Fb \frac{1}{EJ} dx + 1 \cdot 0 \cdot 1/4 \cdot Fb^2/EJ$$

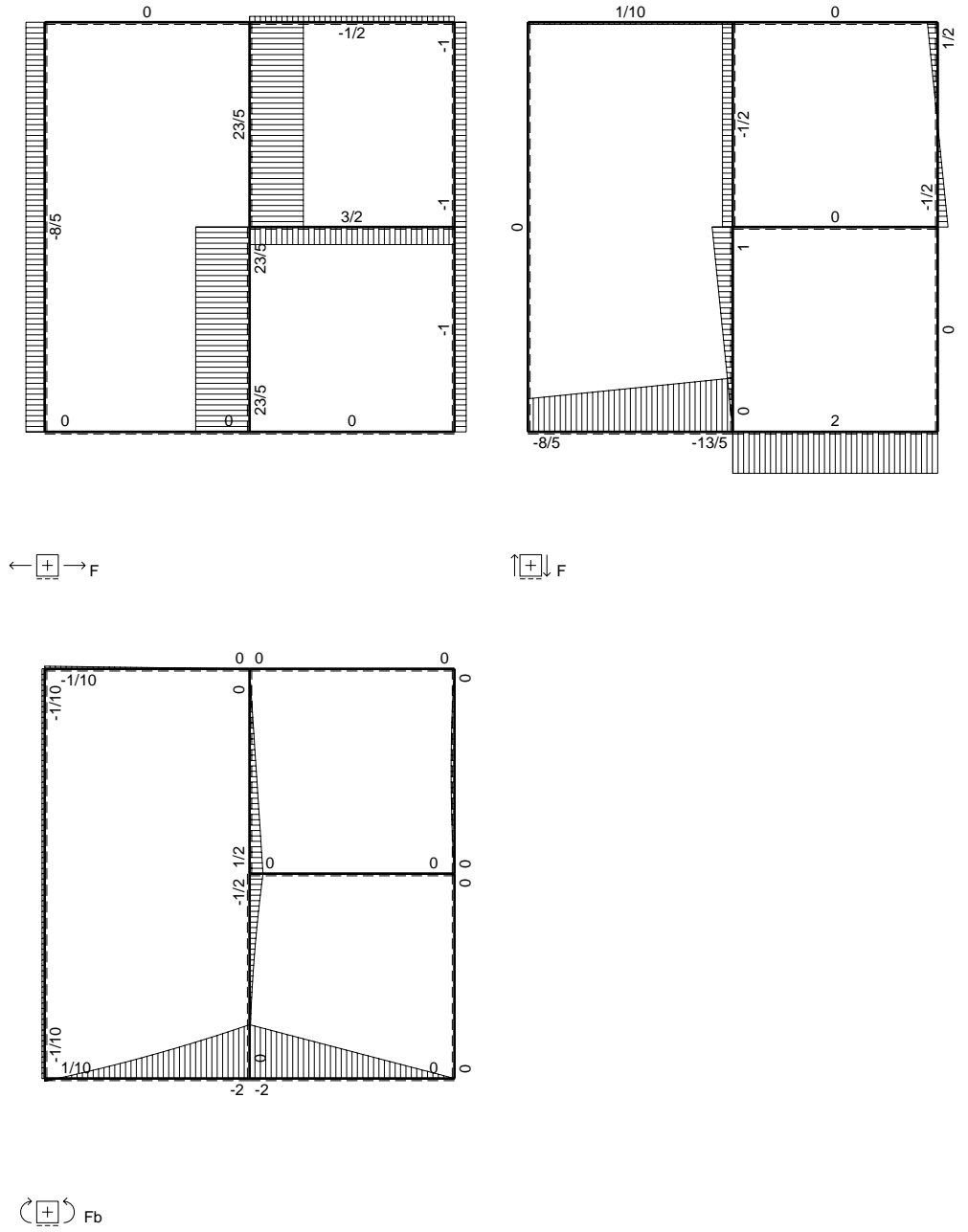
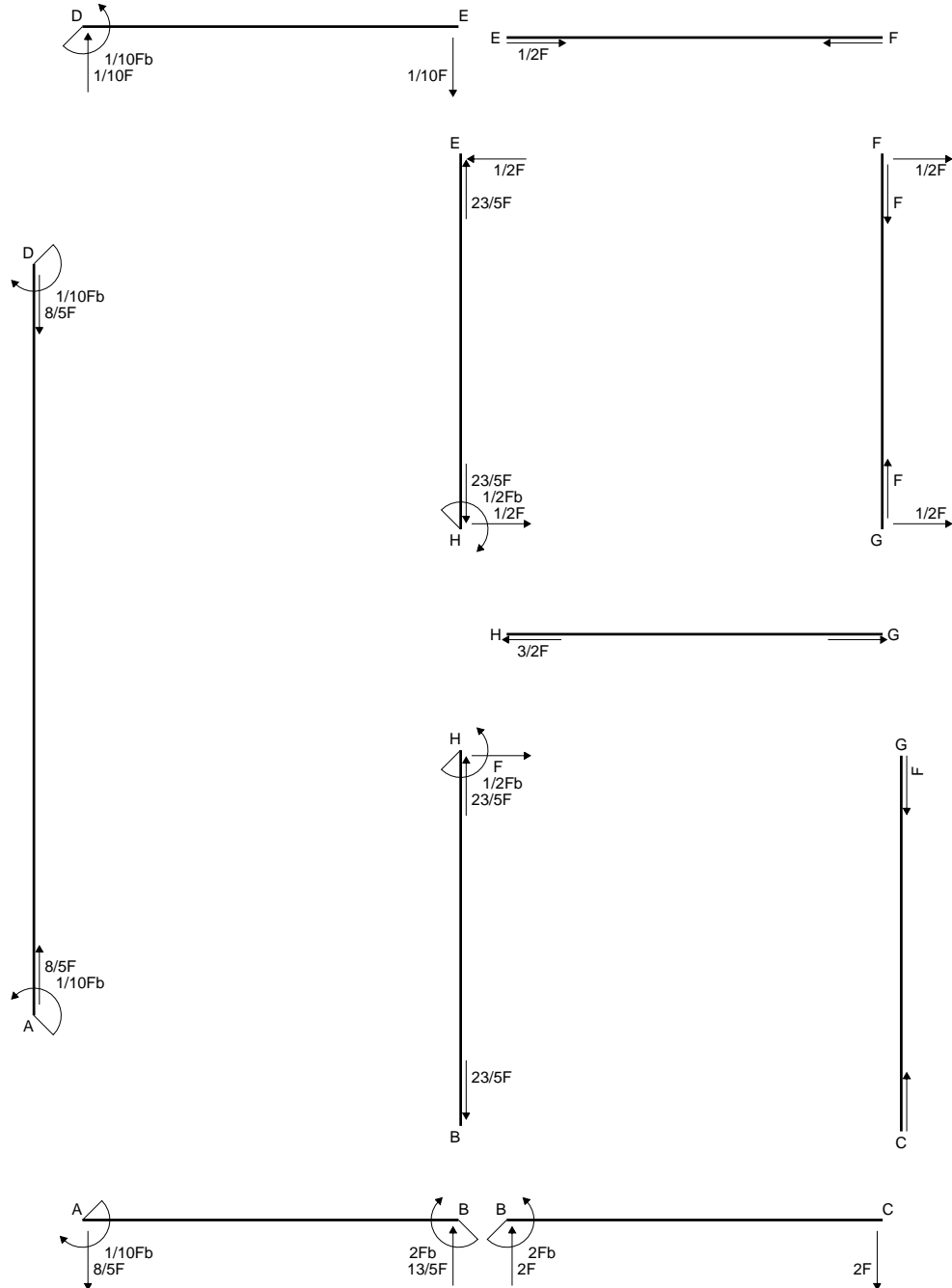
$$= \left[3/4 x^2/b - 1/3 x^3/b^2 - 1/8 x^4/b^3 \right]_0^b Fb \frac{1}{EJ} + 1 \cdot 0 \cdot 1/4 \cdot Fb^2/EJ$$

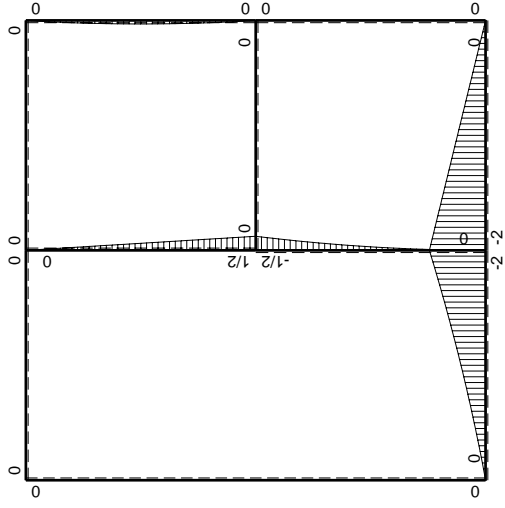
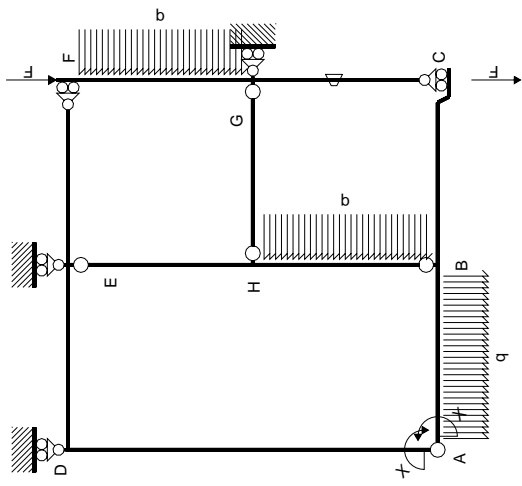
$$= (3/4 b - 1/3 b - 1/8 b) Fb \frac{1}{EJ} + 1 \cdot 0 \cdot 1/4 \cdot Fb^2/EJ = 7/24 \cdot Fb^2/EJ$$

$$L_{BA}^{xo} = \int_0^b (2x/b - 5/2 x^2/b^2 + 1/2 x^3/b^3) Fb \frac{1}{EJ} dx + 1 \cdot 0 \cdot 1/4 \cdot Fb^2/EJ$$

$$= \left[x^2/b - 5/6 x^3/b^2 + 1/8 x^4/b^3 \right]_0^b Fb \frac{1}{EJ} + 1 \cdot 0 \cdot 1/4 \cdot Fb^2/EJ$$

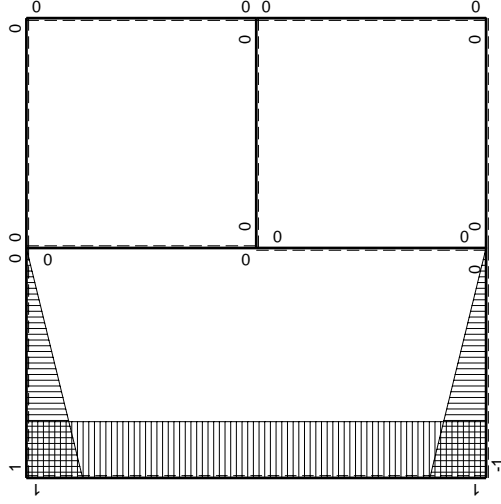
$$= (b - 5/6 b + 1/8 b) Fb \frac{1}{EJ} + 1 \cdot 0 \cdot 1/4 \cdot Fb^2/EJ = 7/24 \cdot Fb^2/EJ$$





Schema di calcolo iperstatico

M_0 flessione da carichi assegnati



M_x flessione da iperstatica $X=1$

Quadro contributi PLV per iperstatica $X=W_{AB}$

→	$M_x(x)$	$M_o(x)$	θ	$M_x M_o$	$M_x \theta$	$M_x M_x$	$\int M_x(M_o/EJ+\theta)dx$	$\int X M_x M_x/EJ dx$	
AB b	$-1+x/b$	$-3/2Fx-1/2qx^2$	0	$3/2Fx-Fx^2/b-1/2qx^3/b$	0	$1-2x/b+x^2/b^2$	$(7/24+0)Fb^2/EJ$	$1/3Xb/EJ$	
BA b	x/b	$2Fb-5/2Fx+1/2qx^2$	0	$2Fx-5/2Fx^2/b+1/2qx^3/b$	0	x^2/b^2			
BC b	0	$-2Fb+2Fx$	0	0	0	0	0+0	0	
CB b	0	$2Fx$	0	0	0	0			
AD 2b	1	0	0	0	0	1	0+0	$2Xb/EJ$	
DA 2b	-1	0	0	0	0	1			
DE b	$1-x/b$	0	0	0	0	$1-2x/b+x^2/b^2$	0+0	$1/3Xb/EJ$	
ED b	$-x/b$	0	0	0	0	x^2/b^2			
EF b	0	0	0	0	0	0	0+0	0	
FE b	0	0	0	0	0	0			
FG b	0	$1/2Fx-1/2qx^2$	0	0	0	0	0+0	0	
GF b	0	$-1/2Fx+1/2qx^2$	0	0	0	0			
GC b	0	0	$-Fb/EJ$	0	0	0	0+0	0	
CG b	0	0	Fb/EJ	0	0	0			
HG b	0	0	0	0	0	0	0+0	0	
GH b	0	0	0	0	0	0			
HB b	0	$-1/2Fb+Fx-1/2qx^2$	0	0	0	0	0+0	0	
BH b	0	$1/2qx^2$	0	0	0	0			
HE b	0	$1/2Fb-1/2Fx$	0	0	0	0	0+0	0	
EH b	0	$-1/2Fx$	0	0	0	0			
AB	molla asta $-W_{1AB}(W_{0AB}+XW_{1AB})/k_{AB}$								$1/4Xb/EJ$
	totali							$7/24Fb^2/EJ$	$35/12Xb/EJ$
	iperstatica $X=W_{AB}$							$-1/10Fb$	

Sviluppi di calcolo iperstatica

$$L_{AB}^{xx} = \int_0^b (1 - 2x/b + x^2/b^2) \cdot 1/EJ \, dx + 1 \cdot 1/4 \cdot b/EJ = \left[x - x^2/b + 1/3 x^3/b^2 \right]_0^b \cdot 1/EJ + 1 \cdot 1/4 \cdot b/EJ$$

$$= (b - b + 1/3 b) \cdot 1/EJ + 1 \cdot 1/4 \cdot b/EJ = 7/12 \cdot b/EJ$$

$$L_{BA}^{xx} = \int_0^b (x^2/b^2) \cdot 1/EJ \, dx + 1 \cdot 1/4 \cdot b/EJ = \left[1/3 x^3/b^2 \right]_0^b \cdot 1/EJ + 1 \cdot 1/4 \cdot b/EJ$$

$$= (1/3 b) \cdot 1/EJ + 1 \cdot 1/4 \cdot b/EJ = 7/12 \cdot b/EJ$$

$$L_{AD}^{xx} = \int_0^{2b} (1) \cdot 1/EJ \, dx = \left[x \right]_0^{2b} \cdot 1/EJ$$

$$= (2b) \cdot 1/EJ = 2 \cdot b/EJ$$

$$L_{DA}^{xx} = \int_0^{2b} (1) \cdot 1/EJ \, dx = \left[x \right]_0^{2b} \cdot 1/EJ$$

$$= (2b) \cdot 1/EJ = 2 \cdot b/EJ$$

$$L_{DE}^{xx} = \int_0^b (1 - 2x/b + x^2/b^2) \cdot 1/EJ \, dx = \left[x - x^2/b + 1/3 x^3/b^2 \right]_0^b \cdot 1/EJ$$

$$= (b - b + 1/3 b) \cdot 1/EJ = 1/3 \cdot b/EJ$$

$$L_{ED}^{xx} = \int_0^b (x^2/b^2) \cdot 1/EJ \, dx = \left[1/3 x^3/b^2 \right]_0^b \cdot 1/EJ$$

$$= (1/3 b) \cdot 1/EJ = 1/3 \cdot b/EJ$$

$$L_{AB}^{xo} = \int_0^b (3/2 x/b - x^2/b^2 - 1/2 x^3/b^3) \cdot Fb \cdot 1/EJ \, dx + 1 \cdot 0 \cdot 1/4 \cdot Fb^2/EJ$$

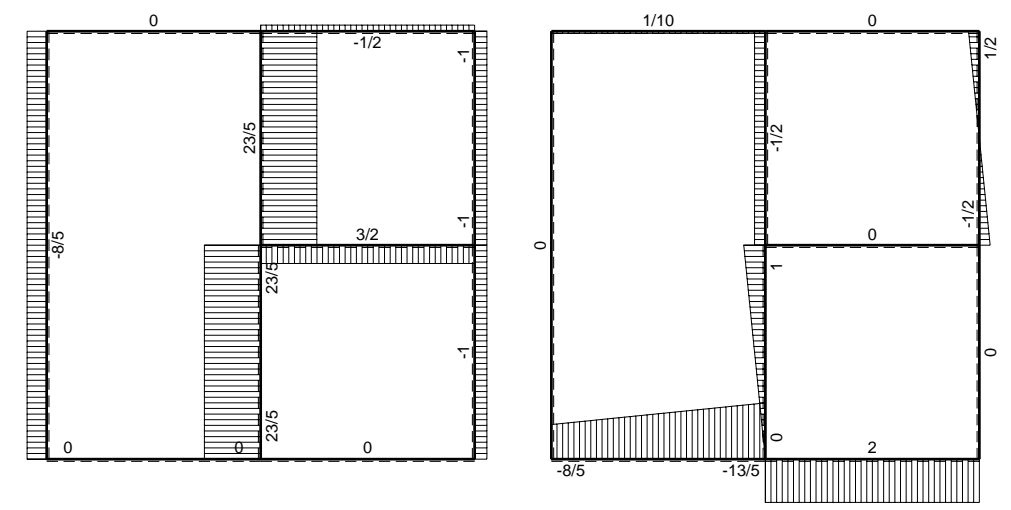
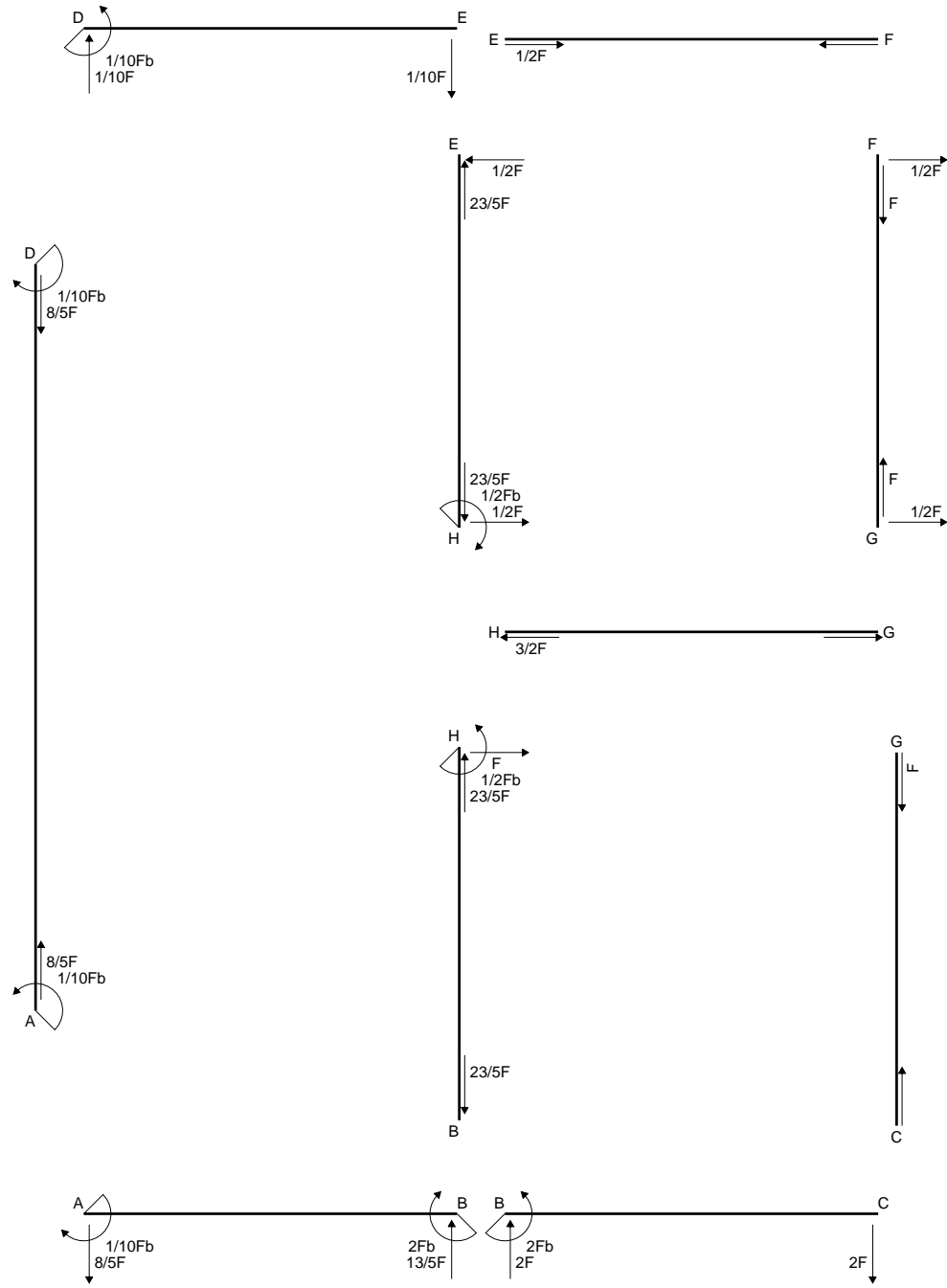
$$= \left[3/4 x^2/b - 1/3 x^3/b^2 - 1/8 x^4/b^3 \right]_0^b \cdot Fb \cdot 1/EJ + 1 \cdot 0 \cdot 1/4 \cdot Fb^2/EJ$$

$$= (3/4 b - 1/3 b - 1/8 b) \cdot Fb \cdot 1/EJ + 1 \cdot 0 \cdot 1/4 \cdot Fb^2/EJ = 7/24 \cdot Fb^2/EJ$$

$$L_{BA}^{xo} = \int_0^b (2x/b - 5/2 x^2/b^2 + 1/2 x^3/b^3) \cdot Fb \cdot 1/EJ \, dx + 1 \cdot 0 \cdot 1/4 \cdot Fb^2/EJ$$

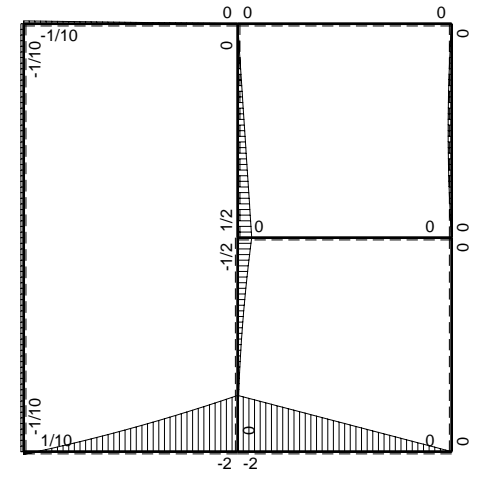
$$= \left[x^2/b - 5/6 x^3/b^2 + 1/8 x^4/b^3 \right]_0^b \cdot Fb \cdot 1/EJ + 1 \cdot 0 \cdot 1/4 \cdot Fb^2/EJ$$

$$= (b - 5/6 b + 1/8 b) \cdot Fb \cdot 1/EJ + 1 \cdot 0 \cdot 1/4 \cdot Fb^2/EJ = 7/24 \cdot Fb^2/EJ$$

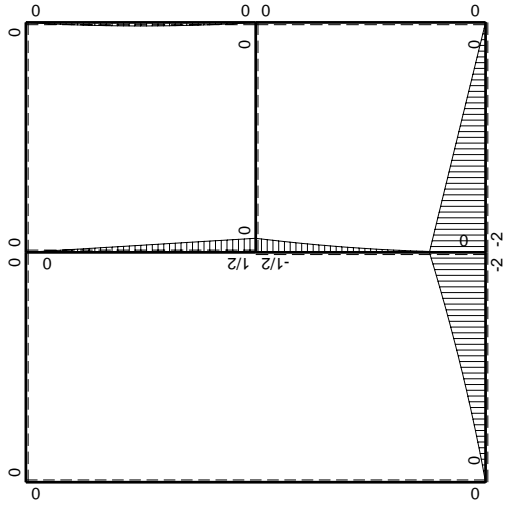
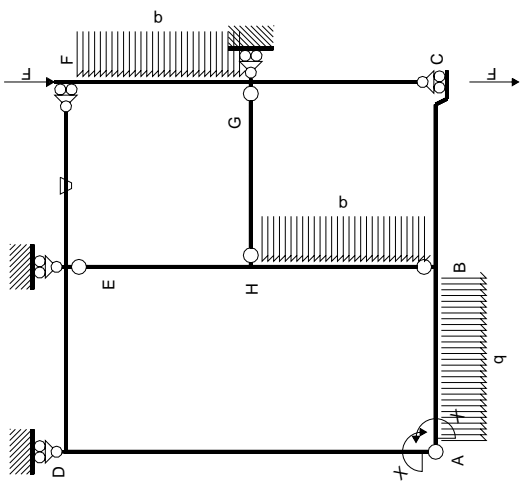


← ⊕ → F

↑ ⊕ ↓ F

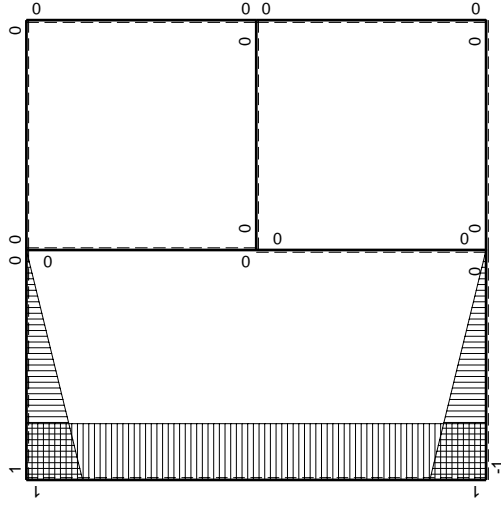


⊕ ⊕ Fb



Schema di calcolo iperstatico

M_0 flessione da carichi assegnati



M_x flessione da iperstatica X=1

Quadro contributi PLV per iperstatica $X=W_{AB}$

→	$M_x(x)$	$M_o(x)$	θ	$M_x M_o$	$M_x \theta$	$M_x M_x$	$\int M_x(M_o/EJ+\theta)dx$	$\int X M_x M_x/EJ dx$	
AB b	$-1+x/b$	$-3/2Fx-1/2qx^2$	0	$3/2Fx-Fx^2/b-1/2qx^3/b$	0	$1-2x/b+x^2/b^2$	$(7/24+0)Fb^2/EJ$	$1/3Xb/EJ$	
BA b	x/b	$2Fb-5/2Fx+1/2qx^2$	0	$2Fx-5/2Fx^2/b+1/2qx^3/b$	0	x^2/b^2			
BC b	0	$-2Fb+2Fx$	0	0	0	0	0+0	0	
CB b	0	$2Fx$	0	0	0	0			
AD 2b	1	0	0	0	0	1	0+0	$2Xb/EJ$	
DA 2b	-1	0	0	0	0	1			
DE b	$1-x/b$	0	0	0	0	$1-2x/b+x^2/b^2$	0+0	$1/3Xb/EJ$	
ED b	$-x/b$	0	0	0	0	x^2/b^2			
EF b	0	0	$-Fb/EJ$	0	0	0	0+0	0	
FE b	0	0	Fb/EJ	0	0	0			
FG b	0	$1/2Fx-1/2qx^2$	0	0	0	0	0+0	0	
GF b	0	$-1/2Fx+1/2qx^2$	0	0	0	0			
GC b	0	0	0	0	0	0	0+0	0	
CG b	0	0	0	0	0	0			
HG b	0	0	0	0	0	0	0+0	0	
GH b	0	0	0	0	0	0			
HB b	0	$-1/2Fb+Fx-1/2qx^2$	0	0	0	0	0+0	0	
BH b	0	$1/2qx^2$	0	0	0	0			
HE b	0	$1/2Fb-1/2Fx$	0	0	0	0	0+0	0	
EH b	0	$-1/2Fx$	0	0	0	0			
AB	molla asta $-W_{1AB}(W_{0AB}+XW_{1AB})/k_{AB}$								$1/4Xb/EJ$
	totali							$7/24Fb^2/EJ$	$35/12Xb/EJ$
	iperstatica $X=W_{AB}$							$-1/10Fb$	

Sviluppi di calcolo iperstatica

$$L_{AB}^{xx} = \int_0^b (1 - 2x/b + x^2/b^2) \cdot 1/EJ \, dx + 1 \cdot 1/4 \cdot b/EJ = \left[x - x^2/b + 1/3 x^3/b^2 \right]_0^b \cdot 1/EJ + 1 \cdot 1/4 \cdot b/EJ$$

$$= (b - b + 1/3 b) \cdot 1/EJ + 1 \cdot 1/4 \cdot b/EJ = 7/12 \cdot b/EJ$$

$$L_{BA}^{xx} = \int_0^b (x^2/b^2) \cdot 1/EJ \, dx + 1 \cdot 1/4 \cdot b/EJ = \left[1/3 x^3/b^2 \right]_0^b \cdot 1/EJ + 1 \cdot 1/4 \cdot b/EJ$$

$$= (1/3 b) \cdot 1/EJ + 1 \cdot 1/4 \cdot b/EJ = 7/12 \cdot b/EJ$$

$$L_{AD}^{xx} = \int_0^{2b} (1) \cdot 1/EJ \, dx = \left[x \right]_0^{2b} \cdot 1/EJ$$

$$= (2b) \cdot 1/EJ = 2 \cdot b/EJ$$

$$L_{DA}^{xx} = \int_0^{2b} (1) \cdot 1/EJ \, dx = \left[x \right]_0^{2b} \cdot 1/EJ$$

$$= (2b) \cdot 1/EJ = 2 \cdot b/EJ$$

$$L_{DE}^{xx} = \int_0^b (1 - 2x/b + x^2/b^2) \cdot 1/EJ \, dx = \left[x - x^2/b + 1/3 x^3/b^2 \right]_0^b \cdot 1/EJ$$

$$= (b - b + 1/3 b) \cdot 1/EJ = 1/3 \cdot b/EJ$$

$$L_{ED}^{xx} = \int_0^b (x^2/b^2) \cdot 1/EJ \, dx = \left[1/3 x^3/b^2 \right]_0^b \cdot 1/EJ$$

$$= (1/3 b) \cdot 1/EJ = 1/3 \cdot b/EJ$$

$$L_{AB}^{xo} = \int_0^b (3/2 x/b - x^2/b^2 - 1/2 x^3/b^3) \cdot Fb \cdot 1/EJ \, dx + 1 \cdot 0 \cdot 1/4 \cdot Fb^2/EJ$$

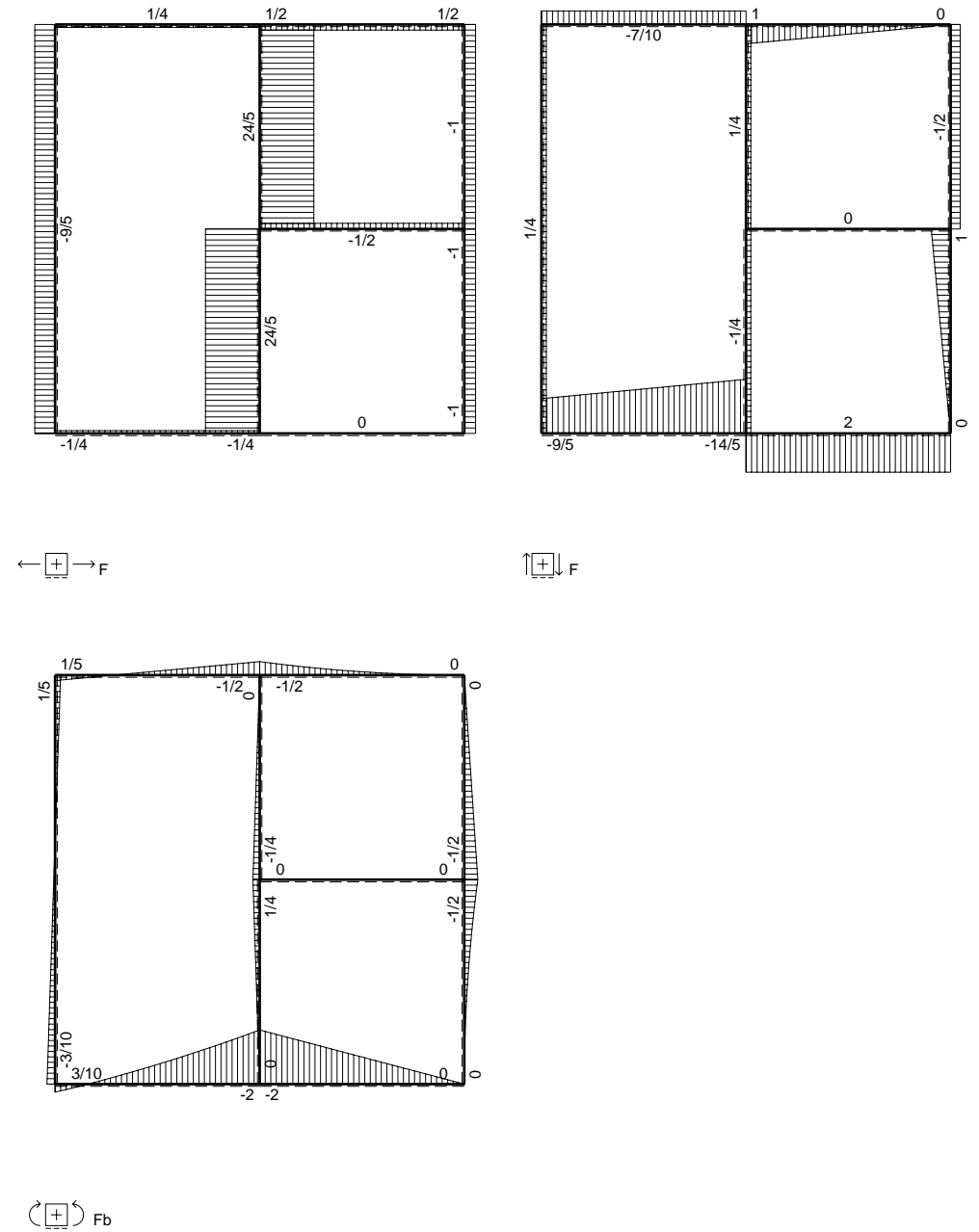
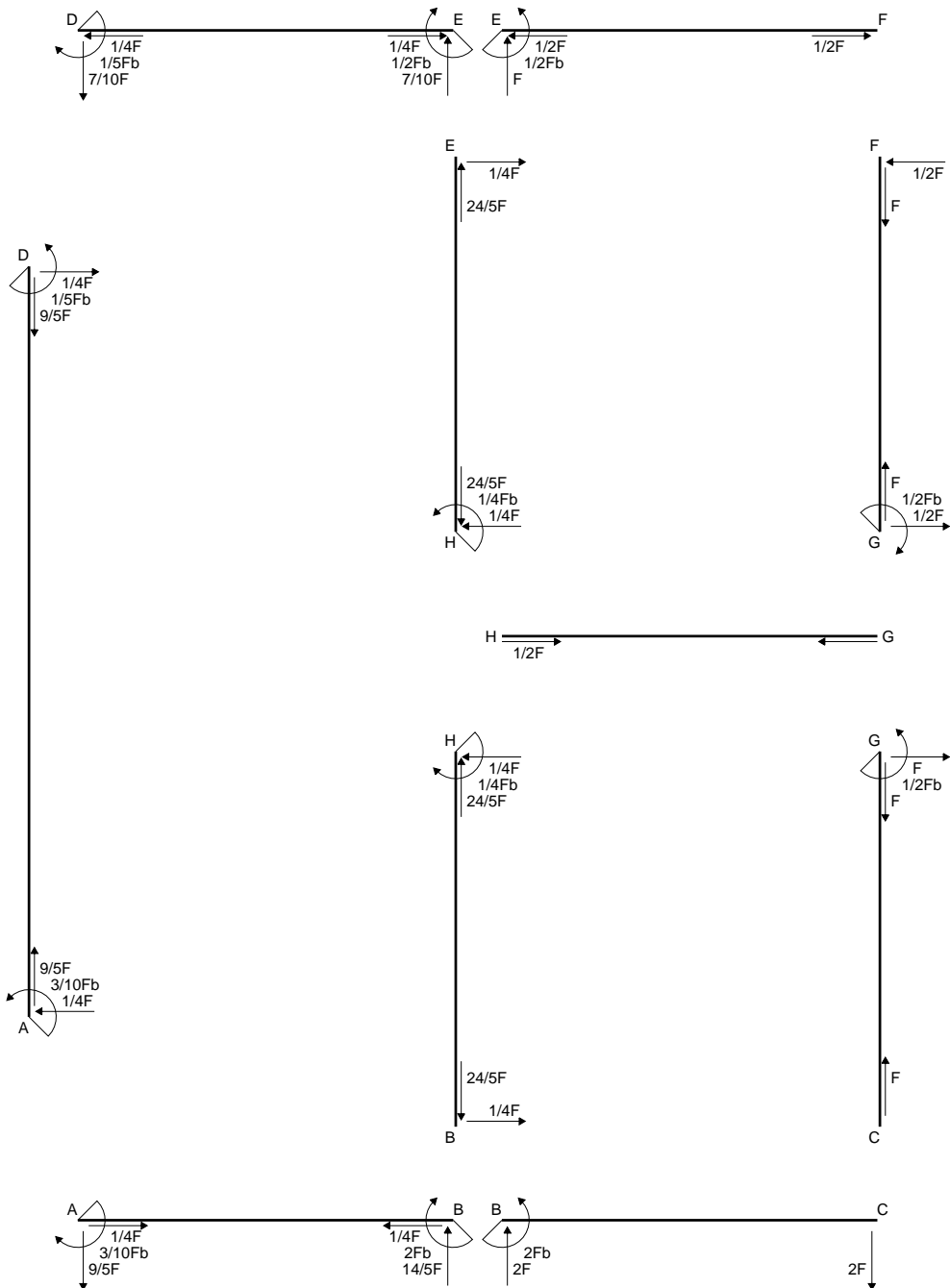
$$= \left[3/4 x^2/b - 1/3 x^3/b^2 - 1/8 x^4/b^3 \right]_0^b \cdot Fb \cdot 1/EJ + 1 \cdot 0 \cdot 1/4 \cdot Fb^2/EJ$$

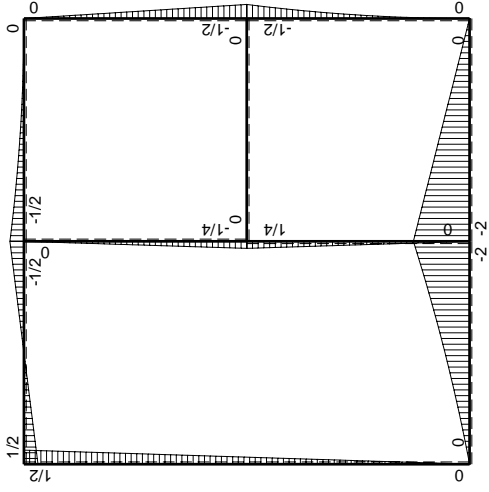
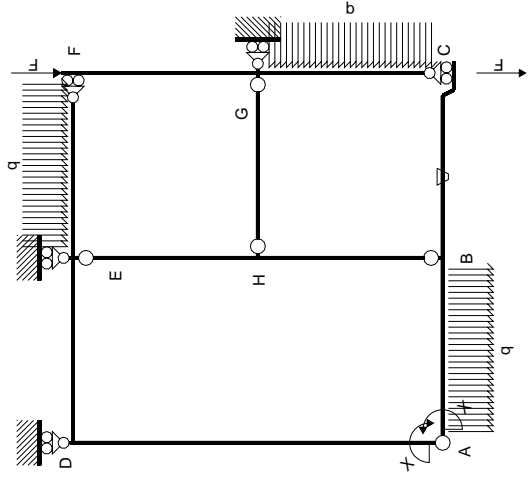
$$= (3/4 b - 1/3 b - 1/8 b) \cdot Fb \cdot 1/EJ + 1 \cdot 0 \cdot 1/4 \cdot Fb^2/EJ = 7/24 \cdot Fb^2/EJ$$

$$L_{BA}^{xo} = \int_0^b (2x/b - 5/2 x^2/b^2 + 1/2 x^3/b^3) \cdot Fb \cdot 1/EJ \, dx + 1 \cdot 0 \cdot 1/4 \cdot Fb^2/EJ$$

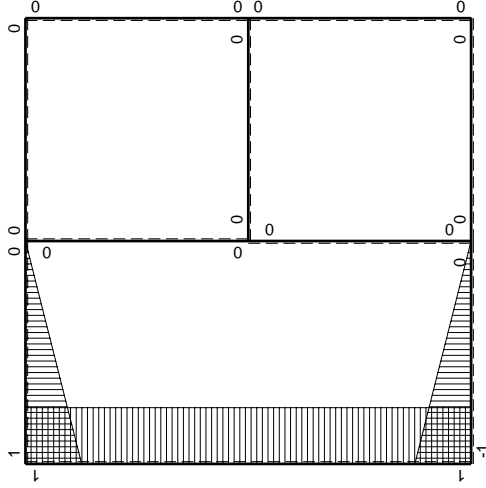
$$= \left[x^2/b - 5/6 x^3/b^2 + 1/8 x^4/b^3 \right]_0^b \cdot Fb \cdot 1/EJ + 1 \cdot 0 \cdot 1/4 \cdot Fb^2/EJ$$

$$= (b - 5/6 b + 1/8 b) \cdot Fb \cdot 1/EJ + 1 \cdot 0 \cdot 1/4 \cdot Fb^2/EJ = 7/24 \cdot Fb^2/EJ$$





(\oplus) M_0 flessione da carichi assegnati



(\oplus) M_x flessione da iperstatica $X=1$

Quadro contributi PLV per iperstatica $X=W_{AB}$

→	$M_x(x)$	$M_o(x)$	θ	$M_x M_o$	$M_x \theta$	$M_x M_x$	$\int M_x(M_o/EJ+\theta)dx$	$\int X M_x M_x/EJ dx$	
AB b	$-1+x/b$	$-3/2Fx-1/2qx^2$	0	$3/2Fx-Fx^2/b-1/2qx^3/b$	0	$1-2x/b+x^2/b^2$	$(7/24+0)Fb^2/EJ$	$1/3Xb/EJ$	
BA b	x/b	$2Fb-5/2Fx+1/2qx^2$	0	$2Fx-5/2Fx^2/b+1/2qx^3/b$	0	x^2/b^2			
BC b	0	$-2Fb+2Fx$	$-Fb/EJ$	0	0	0	0+0	0	
CB b	0	$2Fx$	Fb/EJ	0	0	0			
AD 2b	1	$1/4Fx$	0	$1/4Fx$	0	1	$(1/2+0)Fb^2/EJ$	$2Xb/EJ$	
DA 2b	-1	$-1/2Fb+1/4Fx$	0	$1/2Fb-1/4Fx$	0	1			
DE b	$1-x/b$	$1/2Fb-Fx$	0	$1/2Fb-3/2Fx+Fx^2/b$	0	$1-2x/b+x^2/b^2$	$(1/12+0)Fb^2/EJ$	$1/3Xb/EJ$	
ED b	$-x/b$	$1/2Fb-Fx$	0	$-1/2Fx+Fx^2/b$	0	x^2/b^2			
EF b	0	$-1/2Fb+Fx-1/2qx^2$	0	0	0	0	0+0	0	
FE b	0	$1/2qx^2$	0	0	0	0			
FG b	0	$-1/2Fx$	0	0	0	0	0+0	0	
GF b	0	$1/2Fb-1/2Fx$	0	0	0	0			
GC b	0	$-1/2Fb+Fx-1/2qx^2$	0	0	0	0	0+0	0	
CG b	0	$1/2qx^2$	0	0	0	0			
HG b	0	0	0	0	0	0	0+0	0	
GH b	0	0	0	0	0	0			
HB b	0	$1/4Fb-1/4Fx$	0	0	0	0	0+0	0	
BH b	0	$-1/4Fx$	0	0	0	0			
HE b	0	$-1/4Fb+1/4Fx$	0	0	0	0	0+0	0	
EH b	0	$1/4Fx$	0	0	0	0			
AB	molla asta $-W_{1AB}(W_{0AB}+XW_{1AB})/k_{AB}$								$1/4Xb/EJ$
	totali							$7/8Fb^2/EJ$	$35/12Xb/EJ$
	iperstatica $X=W_{AB}$							$-3/10Fb$	

Sviluppi di calcolo iperstatica

$$L_{AB}^{xx} = \int_0^b (1 - 2x/b + x^2/b^2) \cdot 1/EJ \, dx + 1 \cdot 1/4 \cdot b/EJ = \left[x - x^2/b + 1/3 x^3/b^2 \right]_0^b \cdot 1/EJ + 1 \cdot 1/4 \cdot b/EJ$$

$$= (b - b + 1/3 b) \cdot 1/EJ + 1 \cdot 1/4 \cdot b/EJ = 7/12 \cdot b/EJ$$

$$L_{BA}^{xx} = \int_0^b (x^2/b^2) \cdot 1/EJ \, dx + 1 \cdot 1/4 \cdot b/EJ = \left[1/3 x^3/b^2 \right]_0^b \cdot 1/EJ + 1 \cdot 1/4 \cdot b/EJ$$

$$= (1/3 b) \cdot 1/EJ + 1 \cdot 1/4 \cdot b/EJ = 7/12 \cdot b/EJ$$

$$L_{AD}^{xx} = \int_0^{2b} (1) \cdot 1/EJ \, dx = \left[x \right]_0^{2b} \cdot 1/EJ$$

$$= (2b) \cdot 1/EJ = 2 \cdot b/EJ$$

$$L_{DA}^{xx} = \int_0^{2b} (1) \cdot 1/EJ \, dx = \left[x \right]_0^{2b} \cdot 1/EJ$$

$$= (2b) \cdot 1/EJ = 2 \cdot b/EJ$$

$$L_{DE}^{xx} = \int_0^b (1 - 2x/b + x^2/b^2) \cdot 1/EJ \, dx = \left[x - x^2/b + 1/3 x^3/b^2 \right]_0^b \cdot 1/EJ$$

$$= (b - b + 1/3 b) \cdot 1/EJ = 1/3 \cdot b/EJ$$

$$L_{ED}^{xx} = \int_0^b (x^2/b^2) \cdot 1/EJ \, dx = \left[1/3 x^3/b^2 \right]_0^b \cdot 1/EJ$$

$$= (1/3 b) \cdot 1/EJ = 1/3 \cdot b/EJ$$

$$L_{AB}^{xo} = \int_0^b (3/2 x/b - x^2/b^2 - 1/2 x^3/b^3) \cdot Fb \cdot 1/EJ \, dx + 1 \cdot 0 \cdot 1/4 \cdot Fb^2/EJ$$

$$= \left[3/4 x^2/b - 1/3 x^3/b^2 - 1/8 x^4/b^3 \right]_0^b \cdot Fb \cdot 1/EJ + 1 \cdot 0 \cdot 1/4 \cdot Fb^2/EJ$$

$$= (3/4 b - 1/3 b - 1/8 b) \cdot Fb \cdot 1/EJ + 1 \cdot 0 \cdot 1/4 \cdot Fb^2/EJ = 7/24 \cdot Fb^2/EJ$$

$$L_{BA}^{xo} = \int_0^b (2x/b - 5/2 x^2/b^2 + 1/2 x^3/b^3) \cdot Fb \cdot 1/EJ \, dx + 1 \cdot 0 \cdot 1/4 \cdot Fb^2/EJ$$

$$= \left[x^2/b - 5/6 x^3/b^2 + 1/8 x^4/b^3 \right]_0^b \cdot Fb \cdot 1/EJ + 1 \cdot 0 \cdot 1/4 \cdot Fb^2/EJ$$

$$= (b - 5/6 b + 1/8 b) \cdot Fb \cdot 1/EJ + 1 \cdot 0 \cdot 1/4 \cdot Fb^2/EJ = 7/24 \cdot Fb^2/EJ$$

$$L_{AD}^{xo} = \int_0^{2b} (1/4 x/b) \cdot Fb \cdot 1/EJ \, dx = \left[1/8 x^2/b \right]_0^{2b} \cdot Fb \cdot 1/EJ$$

$$= (1/2 b) \cdot Fb \cdot 1/EJ = 1/2 \cdot Fb^2/EJ$$

$$L_{DA}^{xo} = \int_0^{2b} (1/2 - 1/4 x/b) \cdot Fb \cdot 1/EJ \, dx = \left[1/2 x - 1/8 x^2/b \right]_0^{2b} \cdot Fb \cdot 1/EJ$$

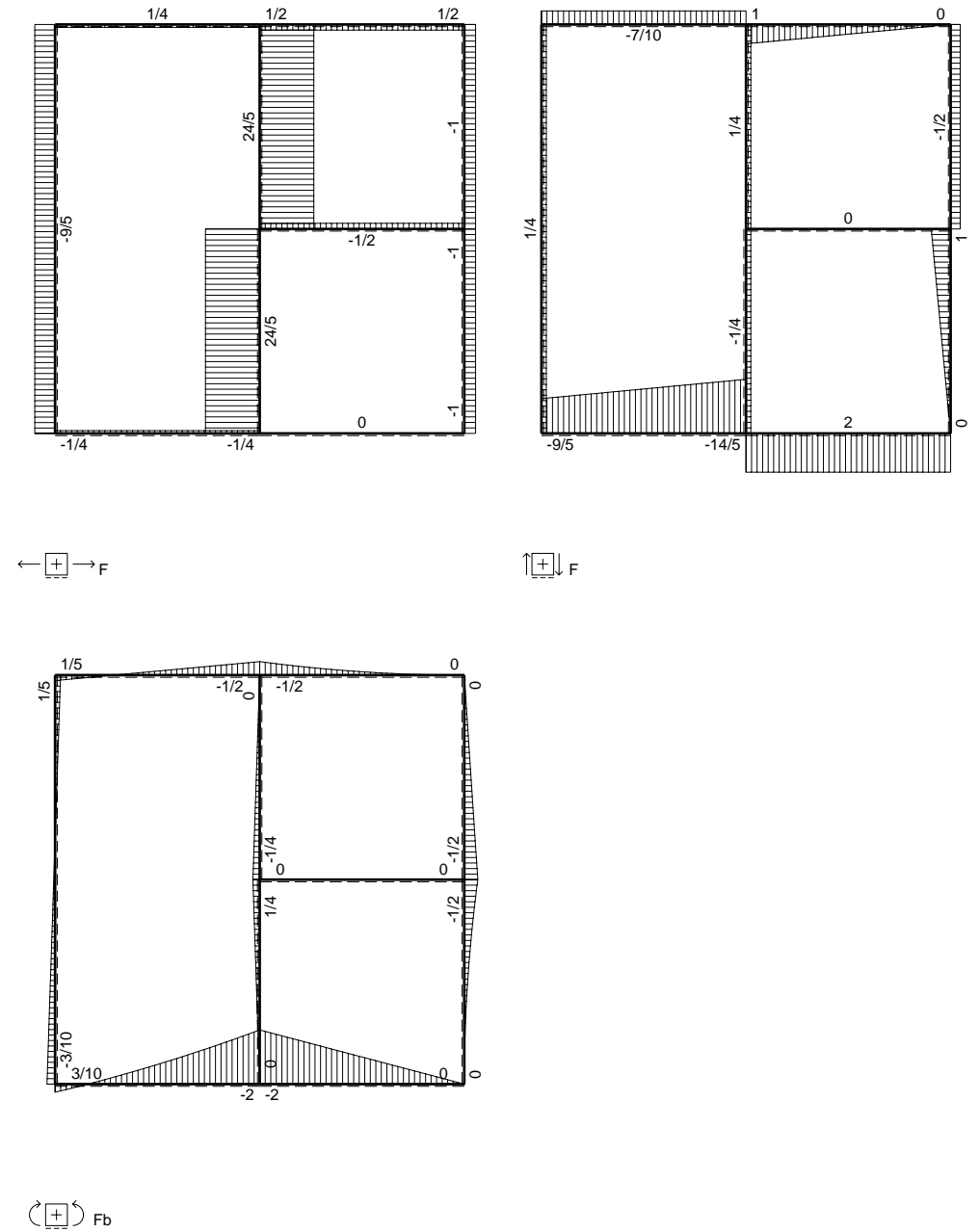
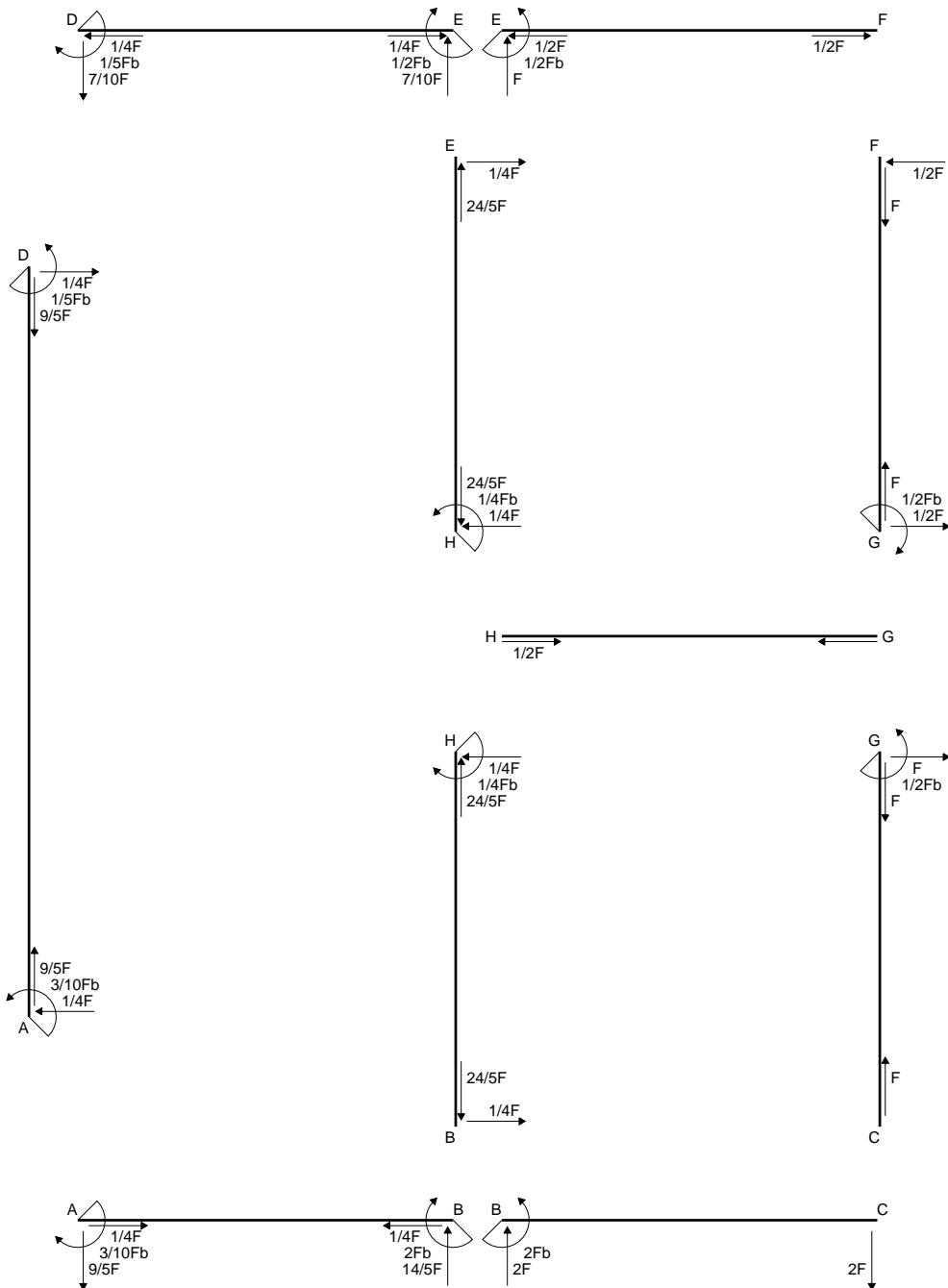
$$= (b - 1/2 b) \cdot Fb \cdot 1/EJ = 1/2 \cdot Fb^2/EJ$$

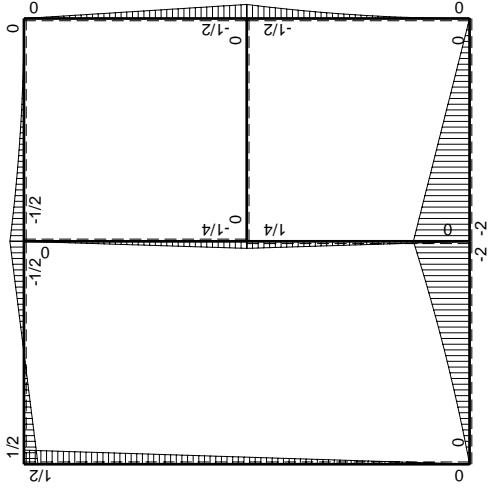
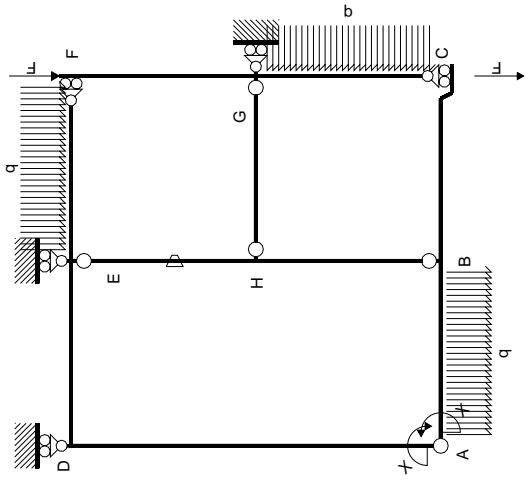
$$L_{DE}^{xo} = \int_0^b (1/2 - 3/2 x/b + x^2/b^2) \cdot Fb \cdot 1/EJ \, dx = \left[1/2 x - 3/4 x^2/b + 1/3 x^3/b^2 \right]_0^b \cdot Fb \cdot 1/EJ$$

$$= (1/2 b - 3/4 b + 1/3 b) \cdot Fb \cdot 1/EJ = 1/12 \cdot Fb^2/EJ$$

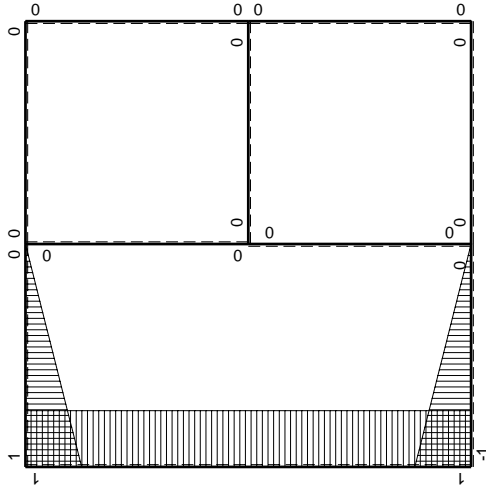
$$L_{ED}^{xo} = \int_0^b (-1/2 x/b + x^2/b^2) \cdot Fb \cdot 1/EJ \, dx = \left[-1/4 x^2/b + 1/3 x^3/b^2 \right]_0^b \cdot Fb \cdot 1/EJ$$

$$= (-1/4 b + 1/3 b) \cdot Fb \cdot 1/EJ = 1/12 \cdot Fb^2/EJ$$





M_0 flessione da carichi assegnati



M_x flessione da iperstatica $X=1$

Quadro contributi PLV per iperstatica $X=W_{AB}$

→	$M_x(x)$	$M_o(x)$	θ	$M_x M_o$	$M_x \theta$	$M_x M_x$	$\int M_x(M_o/EJ+\theta)dx$	$\int X M_x M_x/EJ dx$	
AB b	$-1+x/b$	$-3/2Fx-1/2qx^2$	0	$3/2Fx-Fx^2/b-1/2qx^3/b$	0	$1-2x/b+x^2/b^2$	$(7/24+0)Fb^2/EJ$	$1/3Xb/EJ$	
BA b	x/b	$2Fb-5/2Fx+1/2qx^2$	0	$2Fx-5/2Fx^2/b+1/2qx^3/b$	0	x^2/b^2			
BC b	0	$-2Fb+2Fx$	0	0	0	0	0+0	0	
CB b	0	$2Fx$	0	0	0	0			
AD 2b	1	$1/4Fx$	0	$1/4Fx$	0	1	$(1/2+0)Fb^2/EJ$	$2Xb/EJ$	
DA 2b	-1	$-1/2Fb+1/4Fx$	0	$1/2Fb-1/4Fx$	0	1			
DE b	$1-x/b$	$1/2Fb-Fx$	0	$1/2Fb-3/2Fx+Fx^2/b$	0	$1-2x/b+x^2/b^2$	$(1/12+0)Fb^2/EJ$	$1/3Xb/EJ$	
ED b	$-x/b$	$1/2Fb-Fx$	0	$-1/2Fx+Fx^2/b$	0	x^2/b^2			
EF b	0	$-1/2Fb+Fx-1/2qx^2$	0	0	0	0	0+0	0	
FE b	0	$1/2qx^2$	0	0	0	0			
FG b	0	$-1/2Fx$	0	0	0	0	0+0	0	
GF b	0	$1/2Fb-1/2Fx$	0	0	0	0			
GC b	0	$-1/2Fb+Fx-1/2qx^2$	0	0	0	0	0+0	0	
CG b	0	$1/2qx^2$	0	0	0	0			
HG b	0	0	0	0	0	0	0+0	0	
GH b	0	0	0	0	0	0			
HB b	0	$1/4Fb-1/4Fx$	0	0	0	0	0+0	0	
BH b	0	$-1/4Fx$	0	0	0	0			
HE b	0	$-1/4Fb+1/4Fx$	$-Fb/EJ$	0	0	0	0+0	0	
EH b	0	$1/4Fx$	Fb/EJ	0	0	0			
AB	molla asta $-W_{1AB}(W_{0AB}+XW_{1AB})/k_{AB}$								$1/4Xb/EJ$
	totali							$7/8Fb^2/EJ$	$35/12Xb/EJ$
	iperstatica $X=W_{AB}$							$-3/10Fb$	

Sviluppi di calcolo iperstatica

$$L_{AB}^{xx} = \int_0^b (1 - 2x/b + x^2/b^2) \frac{1}{EJ} dx + 1 \cdot \frac{1}{4} \frac{b}{EJ} = \left[x - x^2/b + 1/3 x^3/b^2 \right]_0^b \frac{1}{EJ} + 1 \cdot \frac{1}{4} \frac{b}{EJ}$$

$$= (b - b + 1/3 b) \frac{1}{EJ} + 1 \cdot \frac{1}{4} \frac{b}{EJ} = 7/12 \frac{b}{EJ}$$

$$L_{BA}^{xx} = \int_0^b (x^2/b^2) \frac{1}{EJ} dx + 1 \cdot \frac{1}{4} \frac{b}{EJ} = \left[1/3 x^3/b^2 \right]_0^b \frac{1}{EJ} + 1 \cdot \frac{1}{4} \frac{b}{EJ}$$

$$= (1/3 b) \frac{1}{EJ} + 1 \cdot \frac{1}{4} \frac{b}{EJ} = 7/12 \frac{b}{EJ}$$

$$L_{AD}^{xx} = \int_0^{2b} (1) \frac{1}{EJ} dx = \left[x \right]_0^{2b} \frac{1}{EJ}$$

$$= (2b) \frac{1}{EJ} = 2 \frac{b}{EJ}$$

$$L_{DA}^{xx} = \int_0^{2b} (1) \frac{1}{EJ} dx = \left[x \right]_0^{2b} \frac{1}{EJ}$$

$$= (2b) \frac{1}{EJ} = 2 \frac{b}{EJ}$$

$$L_{DE}^{xx} = \int_0^b (1 - 2x/b + x^2/b^2) \frac{1}{EJ} dx = \left[x - x^2/b + 1/3 x^3/b^2 \right]_0^b \frac{1}{EJ}$$

$$= (b - b + 1/3 b) \frac{1}{EJ} = 1/3 \frac{b}{EJ}$$

$$L_{ED}^{xx} = \int_0^b (x^2/b^2) \frac{1}{EJ} dx = \left[1/3 x^3/b^2 \right]_0^b \frac{1}{EJ}$$

$$= (1/3 b) \frac{1}{EJ} = 1/3 \frac{b}{EJ}$$

$$L_{AB}^{xo} = \int_0^b (3/2 x/b - x^2/b^2 - 1/2 x^3/b^3) Fb \frac{1}{EJ} dx + 1 \cdot 0 \cdot \frac{1}{4} \frac{Fb^2}{EJ}$$

$$= \left[3/4 x^2/b - 1/3 x^3/b^2 - 1/8 x^4/b^3 \right]_0^b Fb \frac{1}{EJ} + 1 \cdot 0 \cdot \frac{1}{4} \frac{Fb^2}{EJ}$$

$$= (3/4 b - 1/3 b - 1/8 b) Fb \frac{1}{EJ} + 1 \cdot 0 \cdot \frac{1}{4} \frac{Fb^2}{EJ} = 7/24 \frac{Fb^2}{EJ}$$

$$L_{BA}^{xo} = \int_0^b (2x/b - 5/2 x^2/b^2 + 1/2 x^3/b^3) Fb \frac{1}{EJ} dx + 1 \cdot 0 \cdot \frac{1}{4} \frac{Fb^2}{EJ}$$

$$= \left[x^2/b - 5/6 x^3/b^2 + 1/8 x^4/b^3 \right]_0^b Fb \frac{1}{EJ} + 1 \cdot 0 \cdot \frac{1}{4} \frac{Fb^2}{EJ}$$

$$= (b - 5/6 b + 1/8 b) Fb \frac{1}{EJ} + 1 \cdot 0 \cdot \frac{1}{4} \frac{Fb^2}{EJ} = 7/24 \frac{Fb^2}{EJ}$$

$$L_{AD}^{xo} = \int_0^{2b} (1/4 x/b) Fb \frac{1}{EJ} dx = \left[1/8 x^2/b \right]_0^{2b} Fb \frac{1}{EJ}$$

$$= (1/2 b) Fb \frac{1}{EJ} = 1/2 \frac{Fb^2}{EJ}$$

$$L_{DA}^{xo} = \int_0^{2b} (1/2 - 1/4 x/b) Fb \frac{1}{EJ} dx = \left[1/2 x - 1/8 x^2/b \right]_0^{2b} Fb \frac{1}{EJ}$$

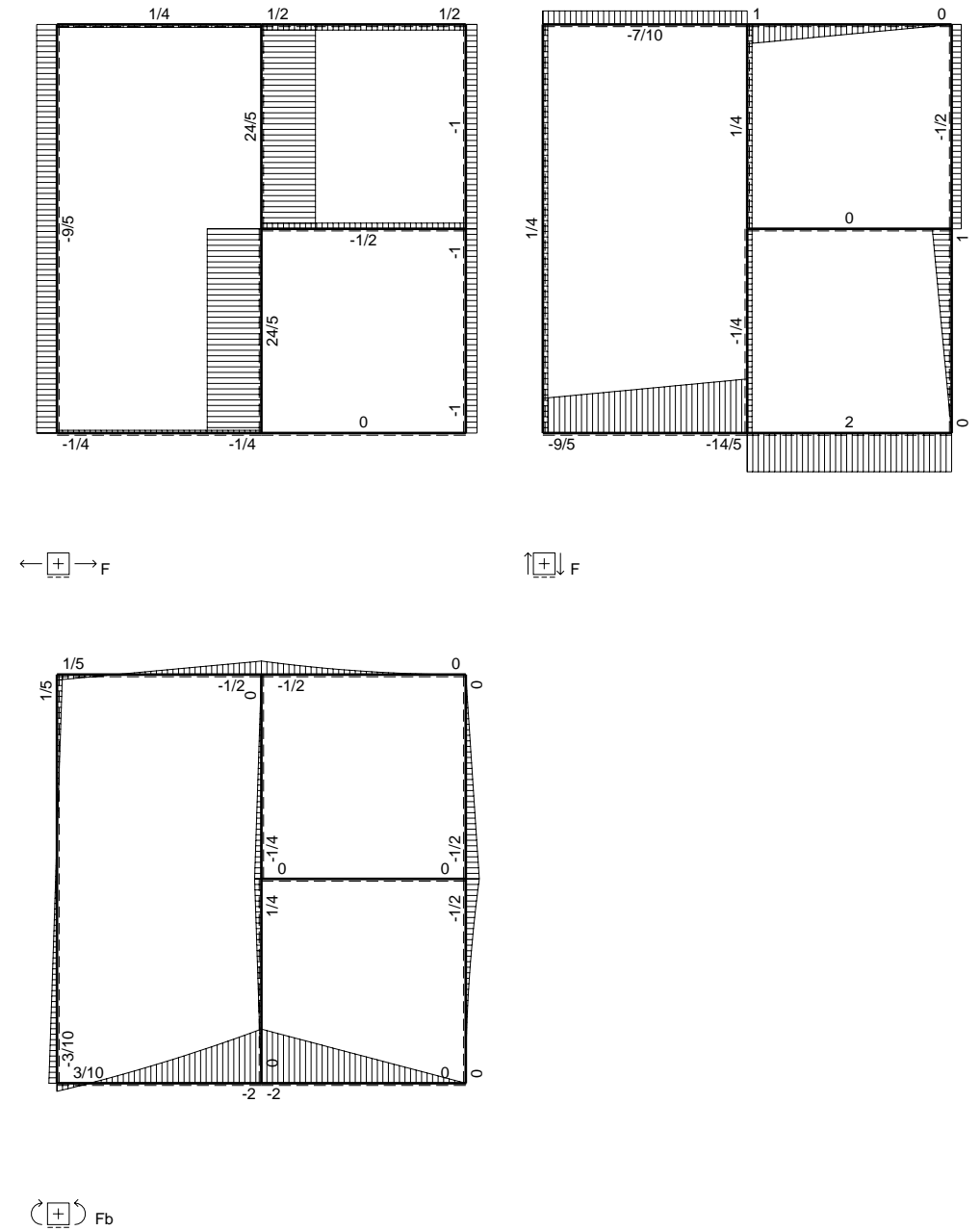
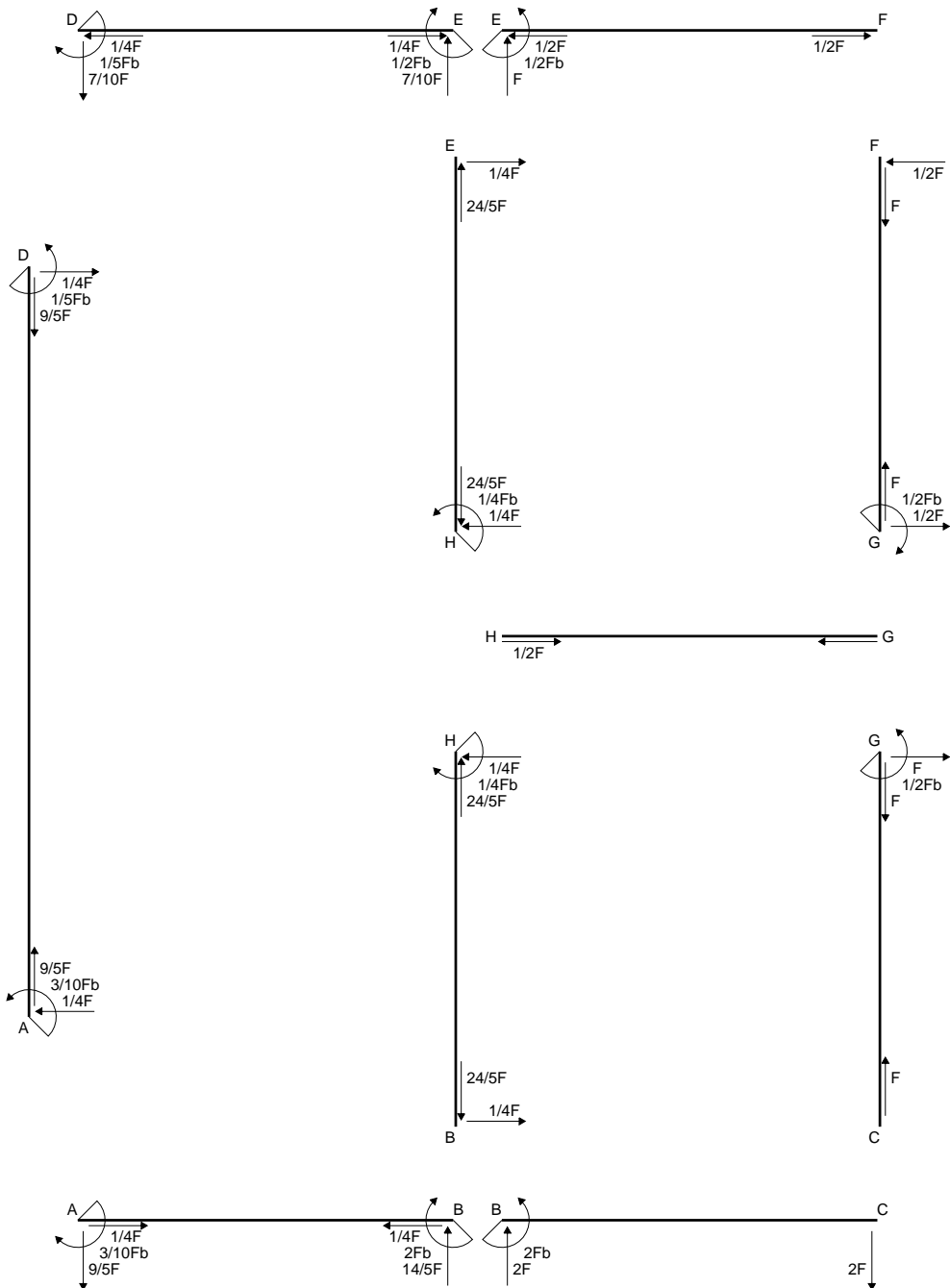
$$= (b - 1/2 b) Fb \frac{1}{EJ} = 1/2 \frac{Fb^2}{EJ}$$

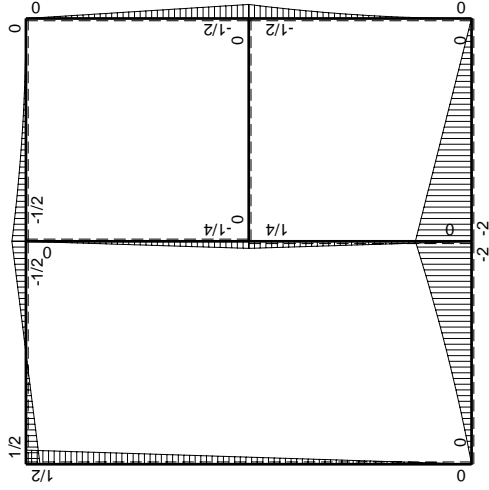
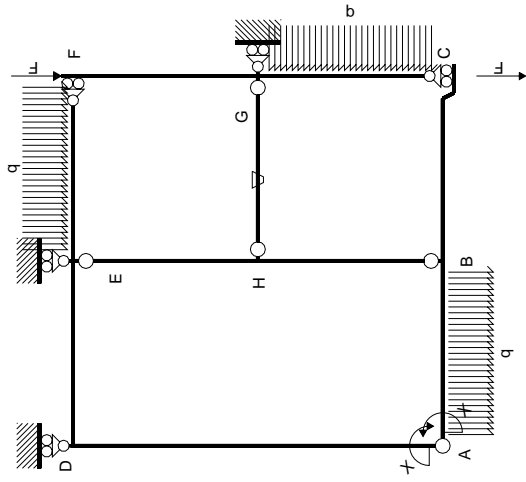
$$L_{DE}^{xo} = \int_0^b (1/2 - 3/2 x/b + x^2/b^2) Fb \frac{1}{EJ} dx = \left[1/2 x - 3/4 x^2/b + 1/3 x^3/b^2 \right]_0^b Fb \frac{1}{EJ}$$

$$= (1/2 b - 3/4 b + 1/3 b) Fb \frac{1}{EJ} = 1/12 \frac{Fb^2}{EJ}$$

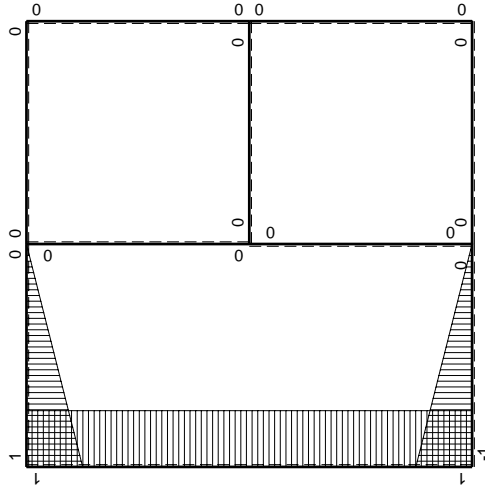
$$L_{ED}^{xo} = \int_0^b (-1/2 x/b + x^2/b^2) Fb \frac{1}{EJ} dx = \left[-1/4 x^2/b + 1/3 x^3/b^2 \right]_0^b Fb \frac{1}{EJ}$$

$$= (-1/4 b + 1/3 b) Fb \frac{1}{EJ} = 1/12 \frac{Fb^2}{EJ}$$





M_0 flessione da carichi assegnati



M_x flessione da iperstatica $X=1$

Quadro contributi PLV per iperstatica $X=W_{AB}$

→	$M_x(x)$	$M_o(x)$	θ	$M_x M_o$	$M_x \theta$	$M_x M_x$	$\int M_x(M_o/EJ+\theta)dx$	$\int X M_x M_x/EJ dx$	
AB b	$-1+x/b$	$-3/2Fx-1/2qx^2$	0	$3/2Fx-Fx^2/b-1/2qx^3/b$	0	$1-2x/b+x^2/b^2$	$(7/24+0)Fb^2/EJ$	$1/3Xb/EJ$	
BA b	x/b	$2Fb-5/2Fx+1/2qx^2$	0	$2Fx-5/2Fx^2/b+1/2qx^3/b$	0	x^2/b^2			
BC b	0	$-2Fb+2Fx$	0	0	0	0	0+0	0	
CB b	0	$2Fx$	0	0	0	0			
AD 2b	1	$1/4Fx$	0	$1/4Fx$	0	1	$(1/2+0)Fb^2/EJ$	$2Xb/EJ$	
DA 2b	-1	$-1/2Fb+1/4Fx$	0	$1/2Fb-1/4Fx$	0	1			
DE b	$1-x/b$	$1/2Fb-Fx$	0	$1/2Fb-3/2Fx+Fx^2/b$	0	$1-2x/b+x^2/b^2$	$(1/12+0)Fb^2/EJ$	$1/3Xb/EJ$	
ED b	$-x/b$	$1/2Fb-Fx$	0	$-1/2Fx+Fx^2/b$	0	x^2/b^2			
EF b	0	$-1/2Fb+Fx-1/2qx^2$	0	0	0	0	0+0	0	
FE b	0	$1/2qx^2$	0	0	0	0			
FG b	0	$-1/2Fx$	0	0	0	0	0+0	0	
GF b	0	$1/2Fb-1/2Fx$	0	0	0	0			
GC b	0	$-1/2Fb+Fx-1/2qx^2$	0	0	0	0	0+0	0	
CG b	0	$1/2qx^2$	0	0	0	0			
HG b	0	0	$-Fb/EJ$	0	0	0	0+0	0	
GH b	0	0	Fb/EJ	0	0	0			
HB b	0	$1/4Fb-1/4Fx$	0	0	0	0	0+0	0	
BH b	0	$-1/4Fx$	0	0	0	0			
HE b	0	$-1/4Fb+1/4Fx$	0	0	0	0	0+0	0	
EH b	0	$1/4Fx$	0	0	0	0			
AB	molla asta $-W_{1AB}(W_{0AB}+XW_{1AB})/k_{AB}$								$1/4Xb/EJ$
	totali							$7/8Fb^2/EJ$	$35/12Xb/EJ$
	iperstatica $X=W_{AB}$							$-3/10Fb$	

Sviluppi di calcolo iperstatica

$$L_{AB}^{xx} = \int_0^b (1 - 2x/b + x^2/b^2) \cdot 1/EJ \, dx + 1 \cdot 1/4 \cdot b/EJ = \left[x - x^2/b + 1/3 x^3/b^2 \right]_0^b \cdot 1/EJ + 1 \cdot 1/4 \cdot b/EJ$$

$$= (b - b + 1/3 b) \cdot 1/EJ + 1 \cdot 1/4 \cdot b/EJ = 7/12 \cdot b/EJ$$

$$L_{BA}^{xx} = \int_0^b (x^2/b^2) \cdot 1/EJ \, dx + 1 \cdot 1/4 \cdot b/EJ = \left[1/3 x^3/b^2 \right]_0^b \cdot 1/EJ + 1 \cdot 1/4 \cdot b/EJ$$

$$= (1/3 b) \cdot 1/EJ + 1 \cdot 1/4 \cdot b/EJ = 7/12 \cdot b/EJ$$

$$L_{AD}^{xx} = \int_0^{2b} (1) \cdot 1/EJ \, dx = \left[x \right]_0^{2b} \cdot 1/EJ$$

$$= (2b) \cdot 1/EJ = 2 \cdot b/EJ$$

$$L_{DA}^{xx} = \int_0^{2b} (1) \cdot 1/EJ \, dx = \left[x \right]_0^{2b} \cdot 1/EJ$$

$$= (2b) \cdot 1/EJ = 2 \cdot b/EJ$$

$$L_{DE}^{xx} = \int_0^b (1 - 2x/b + x^2/b^2) \cdot 1/EJ \, dx = \left[x - x^2/b + 1/3 x^3/b^2 \right]_0^b \cdot 1/EJ$$

$$= (b - b + 1/3 b) \cdot 1/EJ = 1/3 \cdot b/EJ$$

$$L_{ED}^{xx} = \int_0^b (x^2/b^2) \cdot 1/EJ \, dx = \left[1/3 x^3/b^2 \right]_0^b \cdot 1/EJ$$

$$= (1/3 b) \cdot 1/EJ = 1/3 \cdot b/EJ$$

$$L_{AB}^{xo} = \int_0^b (3/2 x/b - x^2/b^2 - 1/2 x^3/b^3) \cdot Fb \cdot 1/EJ \, dx + 1 \cdot 0 \cdot 1/4 \cdot Fb^2/EJ$$

$$= \left[3/4 x^2/b - 1/3 x^3/b^2 - 1/8 x^4/b^3 \right]_0^b \cdot Fb \cdot 1/EJ + 1 \cdot 0 \cdot 1/4 \cdot Fb^2/EJ$$

$$= (3/4 b - 1/3 b - 1/8 b) \cdot Fb \cdot 1/EJ + 1 \cdot 0 \cdot 1/4 \cdot Fb^2/EJ = 7/24 \cdot Fb^2/EJ$$

$$L_{BA}^{xo} = \int_0^b (2x/b - 5/2 x^2/b^2 + 1/2 x^3/b^3) \cdot Fb \cdot 1/EJ \, dx + 1 \cdot 0 \cdot 1/4 \cdot Fb^2/EJ$$

$$= \left[x^2/b - 5/6 x^3/b^2 + 1/8 x^4/b^3 \right]_0^b \cdot Fb \cdot 1/EJ + 1 \cdot 0 \cdot 1/4 \cdot Fb^2/EJ$$

$$= (b - 5/6 b + 1/8 b) \cdot Fb \cdot 1/EJ + 1 \cdot 0 \cdot 1/4 \cdot Fb^2/EJ = 7/24 \cdot Fb^2/EJ$$

$$L_{AD}^{xo} = \int_0^{2b} (1/4 x/b) \cdot Fb \cdot 1/EJ \, dx = \left[1/8 x^2/b \right]_0^{2b} \cdot Fb \cdot 1/EJ$$

$$= (1/2 b) \cdot Fb \cdot 1/EJ = 1/2 \cdot Fb^2/EJ$$

$$L_{DA}^{xo} = \int_0^{2b} (1/2 - 1/4 x/b) \cdot Fb \cdot 1/EJ \, dx = \left[1/2 x - 1/8 x^2/b \right]_0^{2b} \cdot Fb \cdot 1/EJ$$

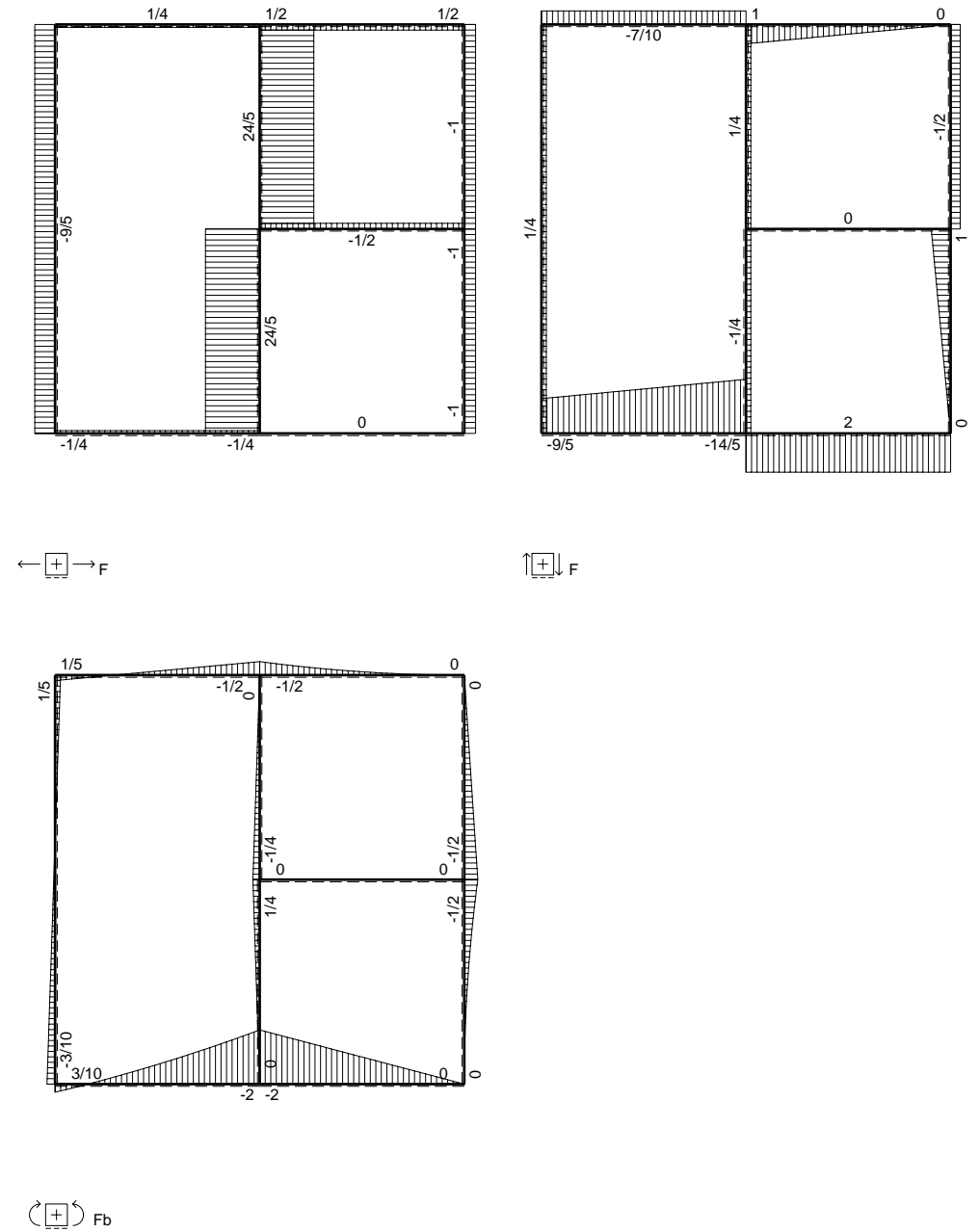
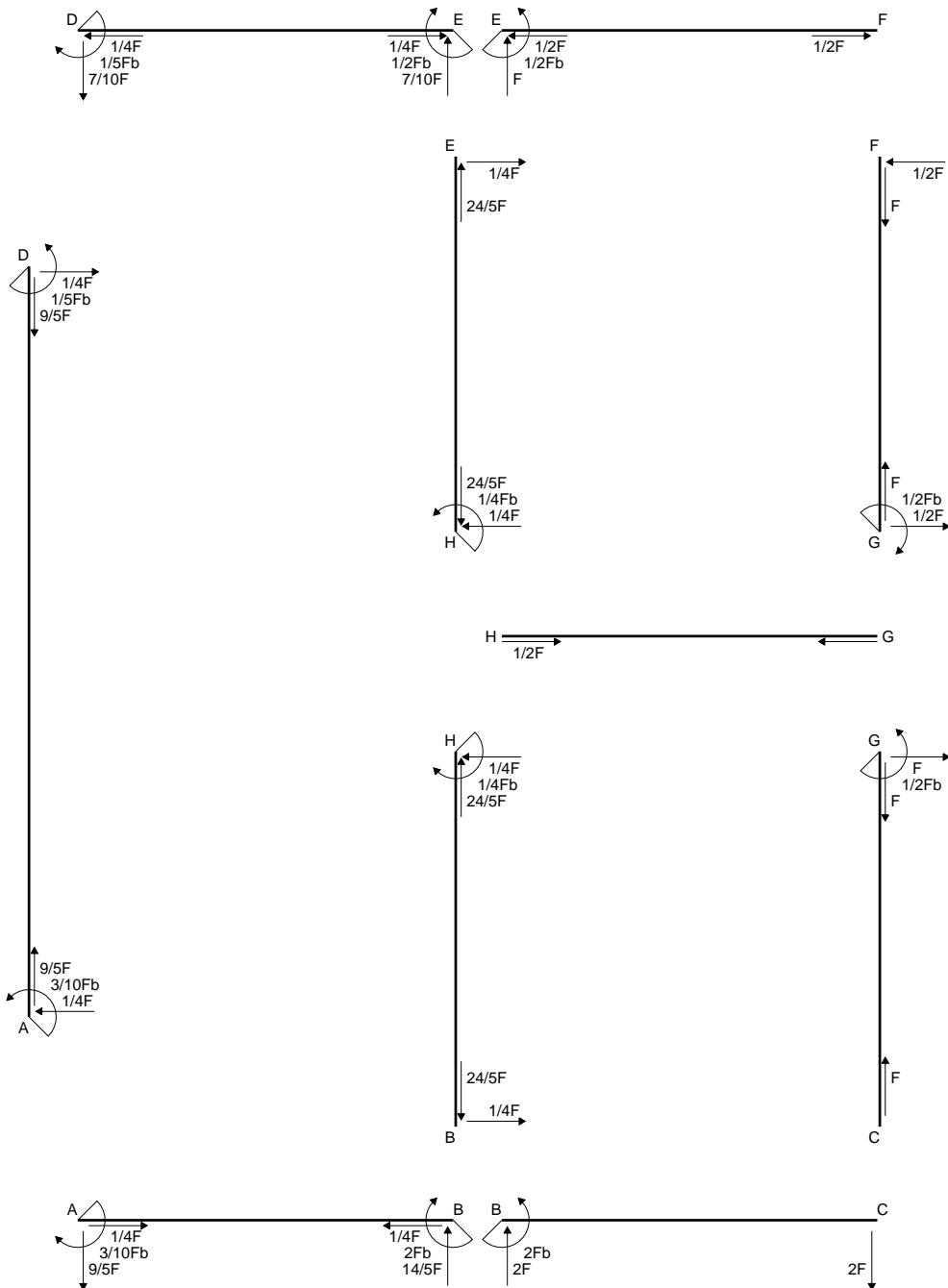
$$= (b - 1/2 b) \cdot Fb \cdot 1/EJ = 1/2 \cdot Fb^2/EJ$$

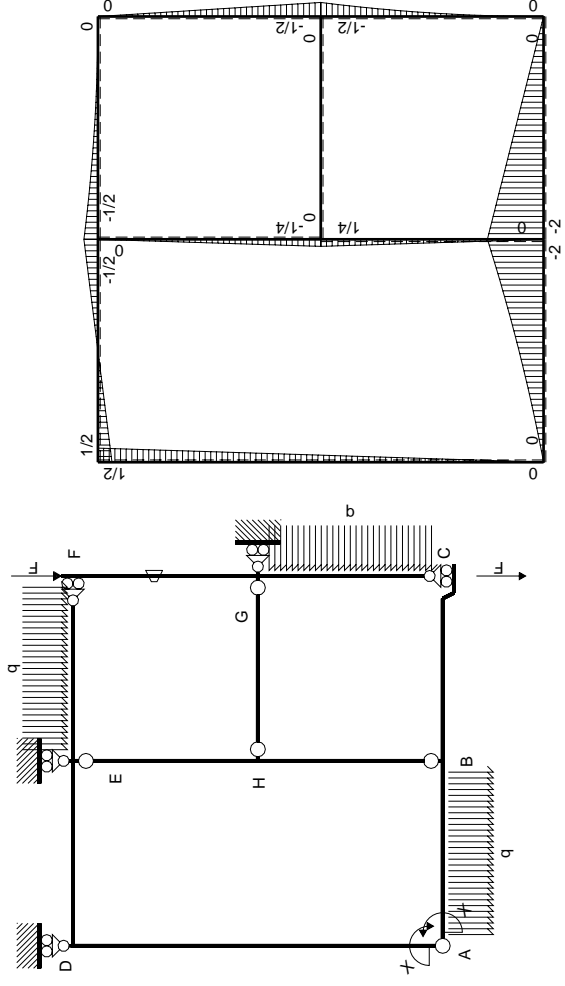
$$L_{DE}^{xo} = \int_0^b (1/2 - 3/2 x/b + x^2/b^2) \cdot Fb \cdot 1/EJ \, dx = \left[1/2 x - 3/4 x^2/b + 1/3 x^3/b^2 \right]_0^b \cdot Fb \cdot 1/EJ$$

$$= (1/2 b - 3/4 b + 1/3 b) \cdot Fb \cdot 1/EJ = 1/12 \cdot Fb^2/EJ$$

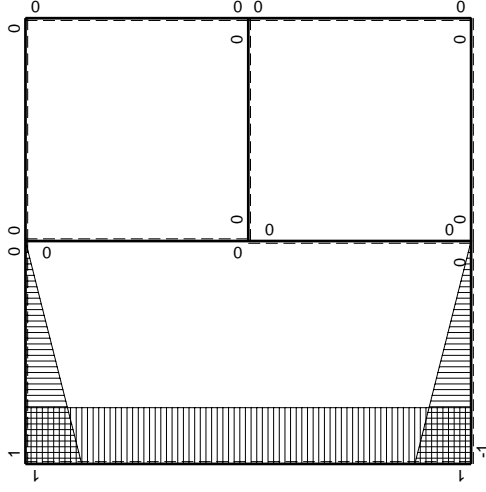
$$L_{ED}^{xo} = \int_0^b (-1/2 x/b + x^2/b^2) \cdot Fb \cdot 1/EJ \, dx = \left[-1/4 x^2/b + 1/3 x^3/b^2 \right]_0^b \cdot Fb \cdot 1/EJ$$

$$= (-1/4 b + 1/3 b) \cdot Fb \cdot 1/EJ = 1/12 \cdot Fb^2/EJ$$





M_0 flessione da carichi assegnati



M_X flessione da iperstatica $X=1$

Quadro contributi PLV per iperstatica $X=W_{AB}$

→	$M_x(x)$	$M_o(x)$	θ	$M_x M_o$	$M_x \theta$	$M_x M_x$	$\int M_x(M_o/EJ+\theta)dx$	$\int X M_x M_x/EJ dx$	
AB b	$-1+x/b$	$-3/2Fx-1/2qx^2$	0	$3/2Fx-Fx^2/b-1/2qx^3/b$	0	$1-2x/b+x^2/b^2$	$(7/24+0)Fb^2/EJ$	$1/3Xb/EJ$	
BA b	x/b	$2Fb-5/2Fx+1/2qx^2$	0	$2Fx-5/2Fx^2/b+1/2qx^3/b$	0	x^2/b^2			
BC b	0	$-2Fb+2Fx$	0	0	0	0	0+0	0	
CB b	0	$2Fx$	0	0	0	0			
AD 2b	1	$1/4Fx$	0	$1/4Fx$	0	1	$(1/2+0)Fb^2/EJ$	$2Xb/EJ$	
DA 2b	-1	$-1/2Fb+1/4Fx$	0	$1/2Fb-1/4Fx$	0	1			
DE b	$1-x/b$	$1/2Fb-Fx$	0	$1/2Fb-3/2Fx+Fx^2/b$	0	$1-2x/b+x^2/b^2$	$(1/12+0)Fb^2/EJ$	$1/3Xb/EJ$	
ED b	$-x/b$	$1/2Fb-Fx$	0	$-1/2Fx+Fx^2/b$	0	x^2/b^2			
EF b	0	$-1/2Fb+Fx-1/2qx^2$	0	0	0	0	0+0	0	
FE b	0	$1/2qx^2$	0	0	0	0			
FG b	0	$-1/2Fx$	$-Fb/EJ$	0	0	0	0+0	0	
GF b	0	$1/2Fb-1/2Fx$	Fb/EJ	0	0	0			
GC b	0	$-1/2Fb+Fx-1/2qx^2$	0	0	0	0	0+0	0	
CG b	0	$1/2qx^2$	0	0	0	0			
HG b	0	0	0	0	0	0	0+0	0	
GH b	0	0	0	0	0	0			
HB b	0	$1/4Fb-1/4Fx$	0	0	0	0	0+0	0	
BH b	0	$-1/4Fx$	0	0	0	0			
HE b	0	$-1/4Fb+1/4Fx$	0	0	0	0	0+0	0	
EH b	0	$1/4Fx$	0	0	0	0			
AB	molla asta $-W_{1AB}(W_{0AB}+XW_{1AB})/k_{AB}$								$1/4Xb/EJ$
	totali							$7/8Fb^2/EJ$	$35/12Xb/EJ$
	iperstatica $X=W_{AB}$							$-3/10Fb$	

Sviluppi di calcolo iperstatica

$$L_{AB}^{xx} = \int_0^b (1 - 2x/b + x^2/b^2) \frac{1}{EJ} dx + 1 \cdot \frac{1}{4} \frac{b}{EJ} = \left[x - x^2/b + 1/3 x^3/b^2 \right]_0^b \frac{1}{EJ} + 1 \cdot \frac{1}{4} \frac{b}{EJ}$$

$$= (b - b + 1/3 b) \frac{1}{EJ} + 1 \cdot \frac{1}{4} \frac{b}{EJ} = 7/12 \frac{b}{EJ}$$

$$L_{BA}^{xx} = \int_0^b (x^2/b^2) \frac{1}{EJ} dx + 1 \cdot \frac{1}{4} \frac{b}{EJ} = \left[1/3 x^3/b^2 \right]_0^b \frac{1}{EJ} + 1 \cdot \frac{1}{4} \frac{b}{EJ}$$

$$= (1/3 b) \frac{1}{EJ} + 1 \cdot \frac{1}{4} \frac{b}{EJ} = 7/12 \frac{b}{EJ}$$

$$L_{AD}^{xx} = \int_0^{2b} (1) \frac{1}{EJ} dx = \left[x \right]_0^{2b} \frac{1}{EJ}$$

$$= (2b) \frac{1}{EJ} = 2 \frac{b}{EJ}$$

$$L_{DA}^{xx} = \int_0^{2b} (1) \frac{1}{EJ} dx = \left[x \right]_0^{2b} \frac{1}{EJ}$$

$$= (2b) \frac{1}{EJ} = 2 \frac{b}{EJ}$$

$$L_{DE}^{xx} = \int_0^b (1 - 2x/b + x^2/b^2) \frac{1}{EJ} dx = \left[x - x^2/b + 1/3 x^3/b^2 \right]_0^b \frac{1}{EJ}$$

$$= (b - b + 1/3 b) \frac{1}{EJ} = 1/3 \frac{b}{EJ}$$

$$L_{ED}^{xx} = \int_0^b (x^2/b^2) \frac{1}{EJ} dx = \left[1/3 x^3/b^2 \right]_0^b \frac{1}{EJ}$$

$$= (1/3 b) \frac{1}{EJ} = 1/3 \frac{b}{EJ}$$

$$L_{AB}^{xo} = \int_0^b (3/2 x/b - x^2/b^2 - 1/2 x^3/b^3) Fb \frac{1}{EJ} dx + 1 \cdot 0 \cdot \frac{1}{4} \frac{Fb^2}{EJ}$$

$$= \left[3/4 x^2/b - 1/3 x^3/b^2 - 1/8 x^4/b^3 \right]_0^b Fb \frac{1}{EJ} + 1 \cdot 0 \cdot \frac{1}{4} \frac{Fb^2}{EJ}$$

$$= (3/4 b - 1/3 b - 1/8 b) Fb \frac{1}{EJ} + 1 \cdot 0 \cdot \frac{1}{4} \frac{Fb^2}{EJ} = 7/24 \frac{Fb^2}{EJ}$$

$$L_{BA}^{xo} = \int_0^b (2x/b - 5/2 x^2/b^2 + 1/2 x^3/b^3) Fb \frac{1}{EJ} dx + 1 \cdot 0 \cdot \frac{1}{4} \frac{Fb^2}{EJ}$$

$$= \left[x^2/b - 5/6 x^3/b^2 + 1/8 x^4/b^3 \right]_0^b Fb \frac{1}{EJ} + 1 \cdot 0 \cdot \frac{1}{4} \frac{Fb^2}{EJ}$$

$$= (b - 5/6 b + 1/8 b) Fb \frac{1}{EJ} + 1 \cdot 0 \cdot \frac{1}{4} \frac{Fb^2}{EJ} = 7/24 \frac{Fb^2}{EJ}$$

$$L_{AD}^{xo} = \int_0^{2b} (1/4 x/b) Fb \frac{1}{EJ} dx = \left[1/8 x^2/b \right]_0^{2b} Fb \frac{1}{EJ}$$

$$= (1/2 b) Fb \frac{1}{EJ} = 1/2 \frac{Fb^2}{EJ}$$

$$L_{DA}^{xo} = \int_0^{2b} (1/2 - 1/4 x/b) Fb \frac{1}{EJ} dx = \left[1/2 x - 1/8 x^2/b \right]_0^{2b} Fb \frac{1}{EJ}$$

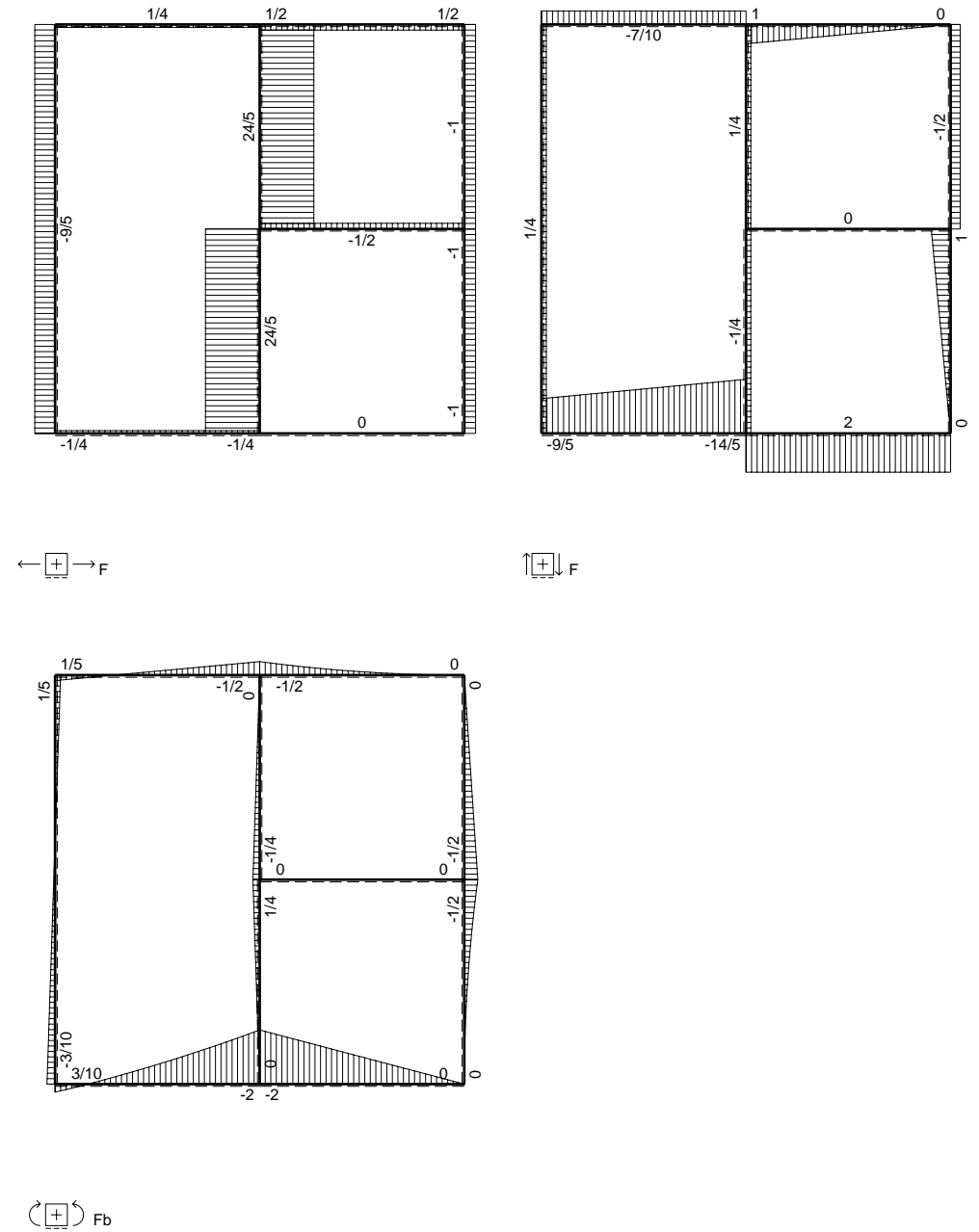
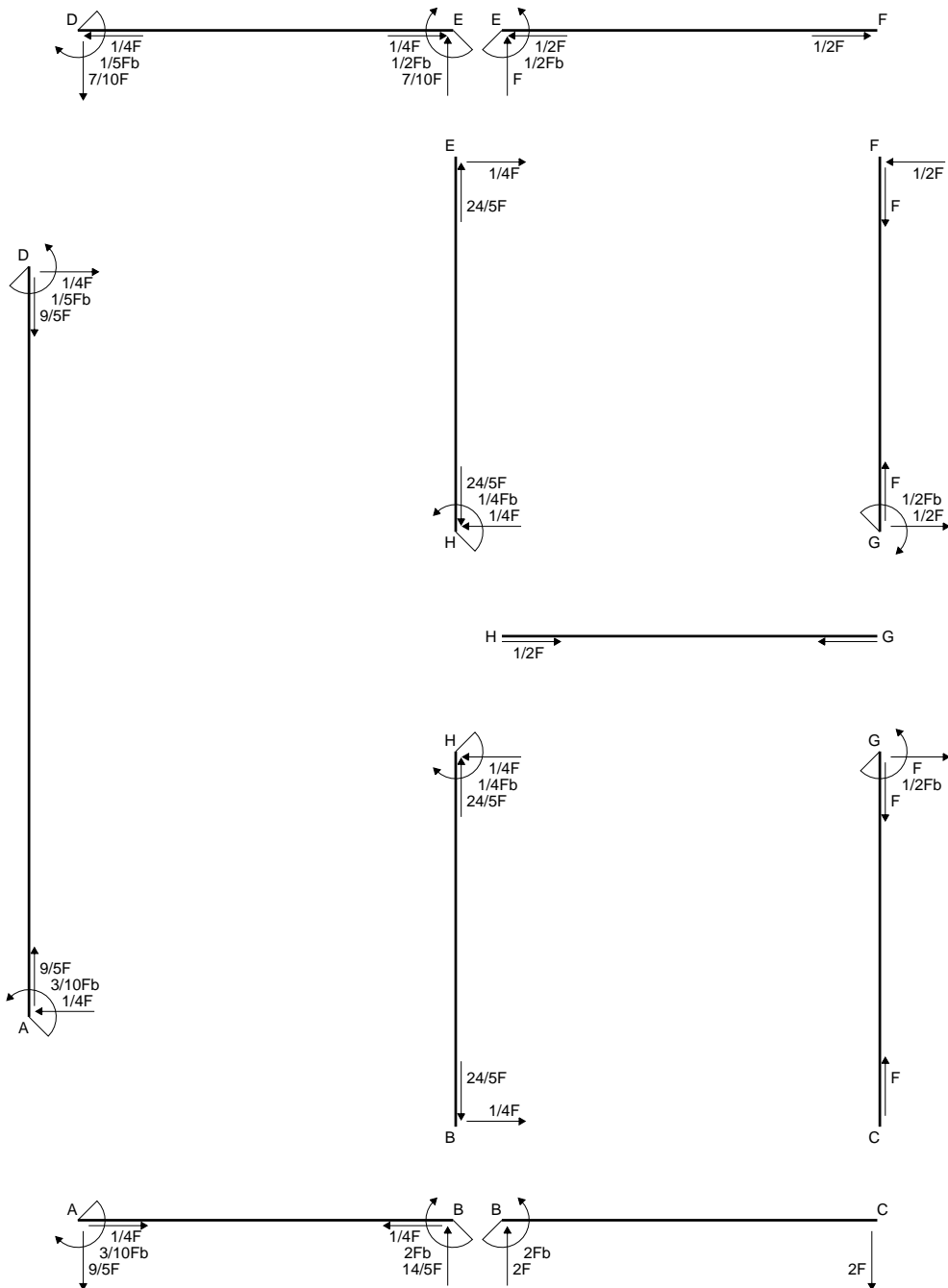
$$= (b - 1/2 b) Fb \frac{1}{EJ} = 1/2 \frac{Fb^2}{EJ}$$

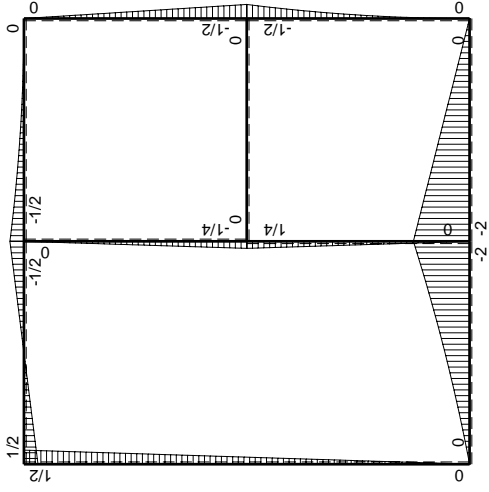
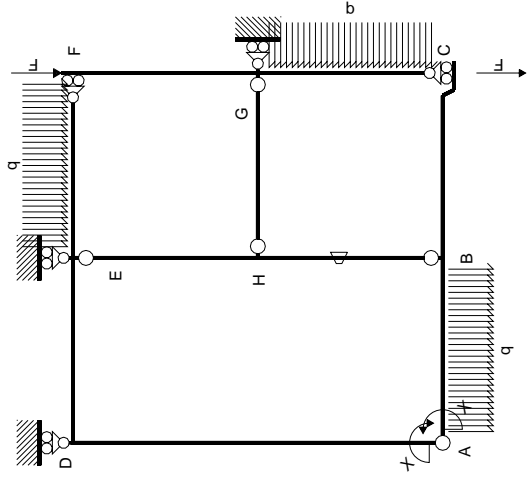
$$L_{DE}^{xo} = \int_0^b (1/2 - 3/2 x/b + x^2/b^2) Fb \frac{1}{EJ} dx = \left[1/2 x - 3/4 x^2/b + 1/3 x^3/b^2 \right]_0^b Fb \frac{1}{EJ}$$

$$= (1/2 b - 3/4 b + 1/3 b) Fb \frac{1}{EJ} = 1/12 \frac{Fb^2}{EJ}$$

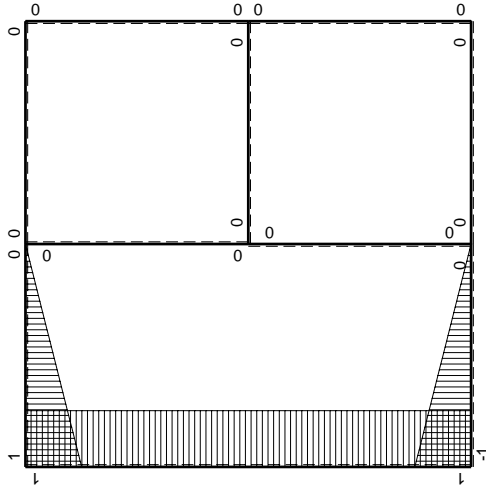
$$L_{ED}^{xo} = \int_0^b (-1/2 x/b + x^2/b^2) Fb \frac{1}{EJ} dx = \left[-1/4 x^2/b + 1/3 x^3/b^2 \right]_0^b Fb \frac{1}{EJ}$$

$$= (-1/4 b + 1/3 b) Fb \frac{1}{EJ} = 1/12 \frac{Fb^2}{EJ}$$





M_0 flessione da carichi assegnati



M_x flessione da iperstatica $X=1$

Quadro contributi PLV per iperstatica $X=W_{AB}$

→	$M_x(x)$	$M_o(x)$	θ	$M_x M_o$	$M_x \theta$	$M_x M_x$	$\int M_x(M_o/EJ+\theta)dx$	$\int X M_x M_x/EJ dx$	
AB b	$-1+x/b$	$-3/2Fx-1/2qx^2$	0	$3/2Fx-Fx^2/b-1/2qx^3/b$	0	$1-2x/b+x^2/b^2$	$(7/24+0)Fb^2/EJ$	$1/3Xb/EJ$	
BA b	x/b	$2Fb-5/2Fx+1/2qx^2$	0	$2Fx-5/2Fx^2/b+1/2qx^3/b$	0	x^2/b^2			
BC b	0	$-2Fb+2Fx$	0	0	0	0	0+0	0	
CB b	0	$2Fx$	0	0	0	0			
AD 2b	1	$1/4Fx$	0	$1/4Fx$	0	1	$(1/2+0)Fb^2/EJ$	$2Xb/EJ$	
DA 2b	-1	$-1/2Fb+1/4Fx$	0	$1/2Fb-1/4Fx$	0	1			
DE b	$1-x/b$	$1/2Fb-Fx$	0	$1/2Fb-3/2Fx+Fx^2/b$	0	$1-2x/b+x^2/b^2$	$(1/12+0)Fb^2/EJ$	$1/3Xb/EJ$	
ED b	$-x/b$	$1/2Fb-Fx$	0	$-1/2Fx+Fx^2/b$	0	x^2/b^2			
EF b	0	$-1/2Fb+Fx-1/2qx^2$	0	0	0	0	0+0	0	
FE b	0	$1/2qx^2$	0	0	0	0			
FG b	0	$-1/2Fx$	0	0	0	0	0+0	0	
GF b	0	$1/2Fb-1/2Fx$	0	0	0	0			
GC b	0	$-1/2Fb+Fx-1/2qx^2$	0	0	0	0	0+0	0	
CG b	0	$1/2qx^2$	0	0	0	0			
HG b	0	0	0	0	0	0	0+0	0	
GH b	0	0	0	0	0	0			
HB b	0	$1/4Fb-1/4Fx$	$-Fb/EJ$	0	0	0	0+0	0	
BH b	0	$-1/4Fx$	Fb/EJ	0	0	0			
HE b	0	$-1/4Fb+1/4Fx$	0	0	0	0	0+0	0	
EH b	0	$1/4Fx$	0	0	0	0			
AB	molla asta $-W_{1AB}(W_{0AB}+XW_{1AB})/k_{AB}$								$1/4Xb/EJ$
	totali							$7/8Fb^2/EJ$	$35/12Xb/EJ$
	iperstatica $X=W_{AB}$							$-3/10Fb$	

Sviluppi di calcolo iperstatica

$$L_{AB}^{xx} = \int_0^b (1 - 2x/b + x^2/b^2) \frac{1}{EJ} dx + 1 \cdot \frac{1}{4} \frac{b}{EJ} = \left[x - x^2/b + 1/3 x^3/b^2 \right]_0^b \frac{1}{EJ} + 1 \cdot \frac{1}{4} \frac{b}{EJ}$$

$$= (b - b + 1/3 b) \frac{1}{EJ} + 1 \cdot \frac{1}{4} \frac{b}{EJ} = 7/12 \frac{b}{EJ}$$

$$L_{BA}^{xx} = \int_0^b (x^2/b^2) \frac{1}{EJ} dx + 1 \cdot \frac{1}{4} \frac{b}{EJ} = \left[1/3 x^3/b^2 \right]_0^b \frac{1}{EJ} + 1 \cdot \frac{1}{4} \frac{b}{EJ}$$

$$= (1/3 b) \frac{1}{EJ} + 1 \cdot \frac{1}{4} \frac{b}{EJ} = 7/12 \frac{b}{EJ}$$

$$L_{AD}^{xx} = \int_0^{2b} (1) \frac{1}{EJ} dx = \left[x \right]_0^{2b} \frac{1}{EJ}$$

$$= (2b) \frac{1}{EJ} = 2 \frac{b}{EJ}$$

$$L_{DA}^{xx} = \int_0^{2b} (1) \frac{1}{EJ} dx = \left[x \right]_0^{2b} \frac{1}{EJ}$$

$$= (2b) \frac{1}{EJ} = 2 \frac{b}{EJ}$$

$$L_{DE}^{xx} = \int_0^b (1 - 2x/b + x^2/b^2) \frac{1}{EJ} dx = \left[x - x^2/b + 1/3 x^3/b^2 \right]_0^b \frac{1}{EJ}$$

$$= (b - b + 1/3 b) \frac{1}{EJ} = 1/3 \frac{b}{EJ}$$

$$L_{ED}^{xx} = \int_0^b (x^2/b^2) \frac{1}{EJ} dx = \left[1/3 x^3/b^2 \right]_0^b \frac{1}{EJ}$$

$$= (1/3 b) \frac{1}{EJ} = 1/3 \frac{b}{EJ}$$

$$L_{AB}^{xo} = \int_0^b (3/2 x/b - x^2/b^2 - 1/2 x^3/b^3) Fb \frac{1}{EJ} dx + 1 \cdot 0 \cdot \frac{1}{4} \frac{Fb^2}{EJ}$$

$$= \left[3/4 x^2/b - 1/3 x^3/b^2 - 1/8 x^4/b^3 \right]_0^b Fb \frac{1}{EJ} + 1 \cdot 0 \cdot \frac{1}{4} \frac{Fb^2}{EJ}$$

$$= (3/4 b - 1/3 b - 1/8 b) Fb \frac{1}{EJ} + 1 \cdot 0 \cdot \frac{1}{4} \frac{Fb^2}{EJ} = 7/24 \frac{Fb^2}{EJ}$$

$$L_{BA}^{xo} = \int_0^b (2x/b - 5/2 x^2/b^2 + 1/2 x^3/b^3) Fb \frac{1}{EJ} dx + 1 \cdot 0 \cdot \frac{1}{4} \frac{Fb^2}{EJ}$$

$$= \left[x^2/b - 5/6 x^3/b^2 + 1/8 x^4/b^3 \right]_0^b Fb \frac{1}{EJ} + 1 \cdot 0 \cdot \frac{1}{4} \frac{Fb^2}{EJ}$$

$$= (b - 5/6 b + 1/8 b) Fb \frac{1}{EJ} + 1 \cdot 0 \cdot \frac{1}{4} \frac{Fb^2}{EJ} = 7/24 \frac{Fb^2}{EJ}$$

$$L_{AD}^{xo} = \int_0^{2b} (1/4 x/b) Fb \frac{1}{EJ} dx = \left[1/8 x^2/b \right]_0^{2b} Fb \frac{1}{EJ}$$

$$= (1/2 b) Fb \frac{1}{EJ} = 1/2 \frac{Fb^2}{EJ}$$

$$L_{DA}^{xo} = \int_0^{2b} (1/2 - 1/4 x/b) Fb \frac{1}{EJ} dx = \left[1/2 x - 1/8 x^2/b \right]_0^{2b} Fb \frac{1}{EJ}$$

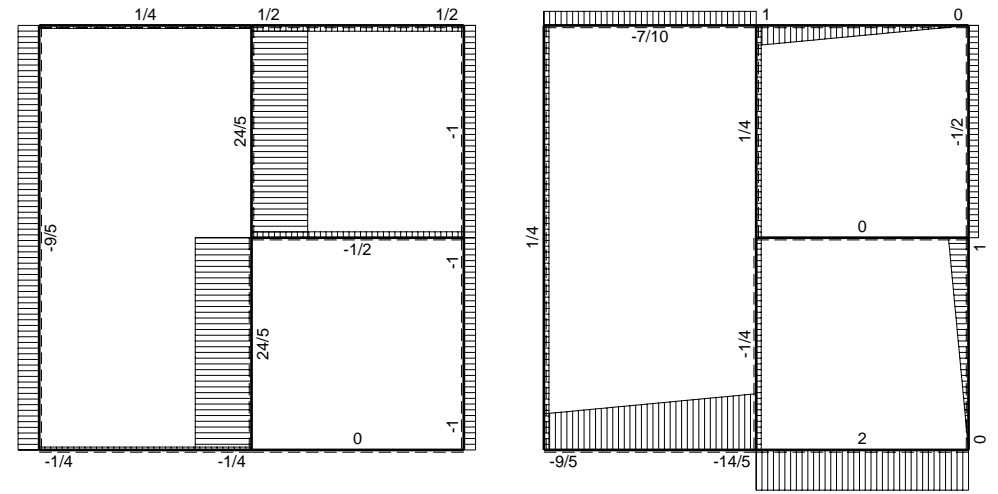
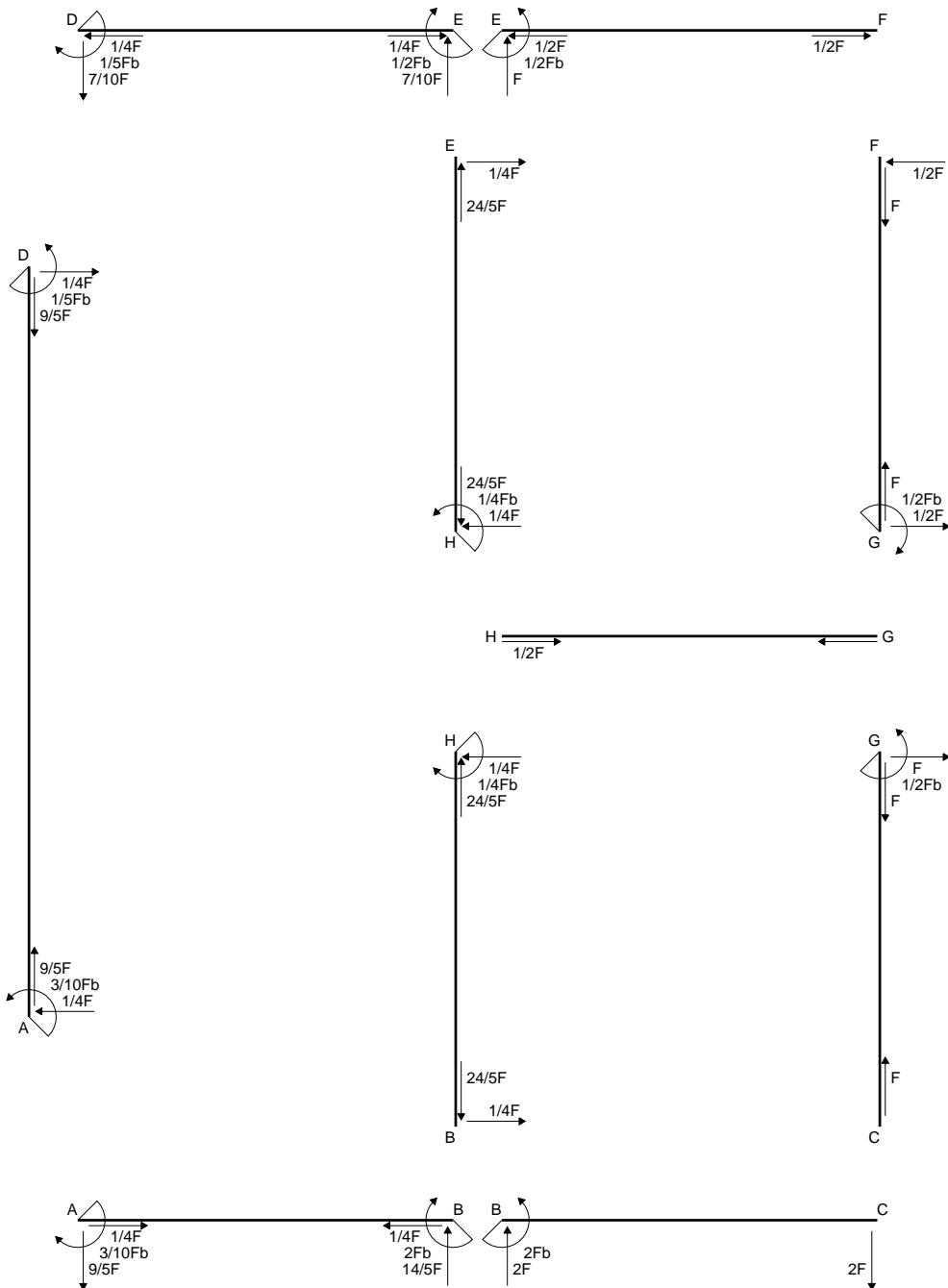
$$= (b - 1/2 b) Fb \frac{1}{EJ} = 1/2 \frac{Fb^2}{EJ}$$

$$L_{DE}^{xo} = \int_0^b (1/2 - 3/2 x/b + x^2/b^2) Fb \frac{1}{EJ} dx = \left[1/2 x - 3/4 x^2/b + 1/3 x^3/b^2 \right]_0^b Fb \frac{1}{EJ}$$

$$= (1/2 b - 3/4 b + 1/3 b) Fb \frac{1}{EJ} = 1/12 \frac{Fb^2}{EJ}$$

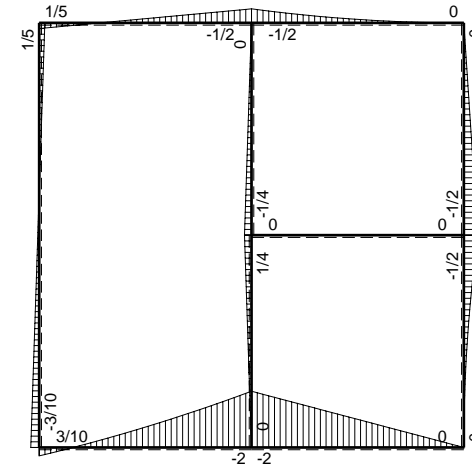
$$L_{ED}^{xo} = \int_0^b (-1/2 x/b + x^2/b^2) Fb \frac{1}{EJ} dx = \left[-1/4 x^2/b + 1/3 x^3/b^2 \right]_0^b Fb \frac{1}{EJ}$$

$$= (-1/4 b + 1/3 b) Fb \frac{1}{EJ} = 1/12 \frac{Fb^2}{EJ}$$

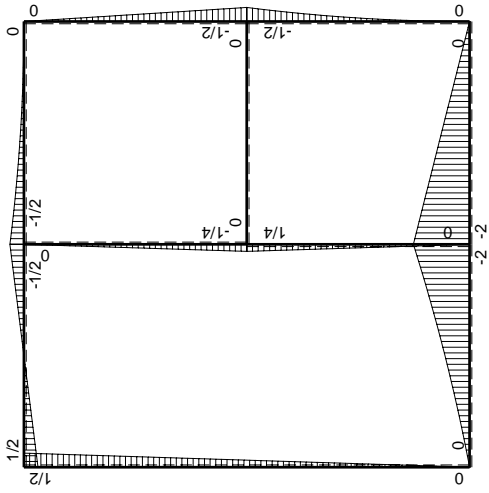
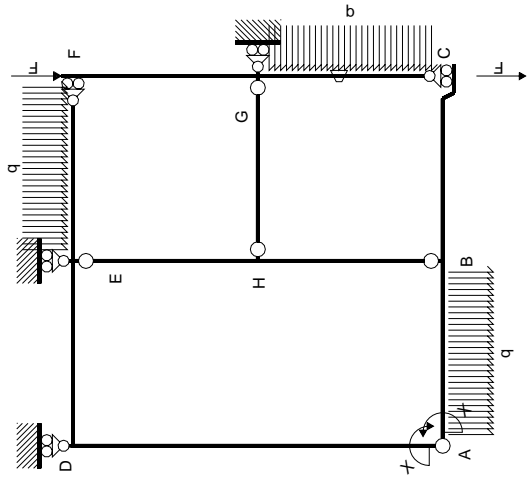


← ⊕ → F

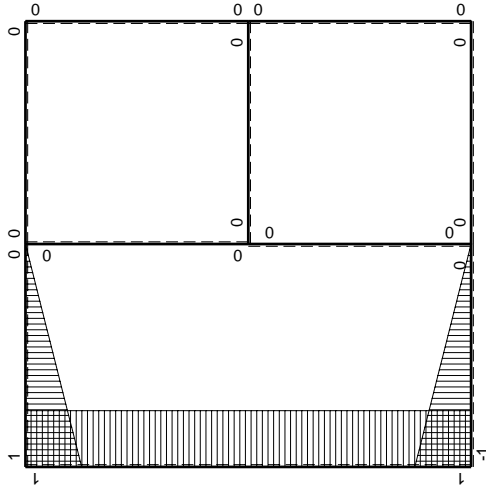
↑ ⊕ ↓ F



⊕ ⊖ F_b



(\oplus) M_0 flessione da carichi assegnati



(\oplus) M_x flessione da iperstatica $X=1$

Quadro contributi PLV per iperstatica $X=W_{AB}$

→	$M_x(x)$	$M_o(x)$	θ	$M_x M_o$	$M_x \theta$	$M_x M_x$	$\int M_x(M_o/EJ+\theta)dx$	$\int X M_x M_x/EJ dx$	
AB b	$-1+x/b$	$-3/2Fx-1/2qx^2$	0	$3/2Fx-Fx^2/b-1/2qx^3/b$	0	$1-2x/b+x^2/b^2$	$(7/24+0)Fb^2/EJ$	$1/3Xb/EJ$	
BA b	x/b	$2Fb-5/2Fx+1/2qx^2$	0	$2Fx-5/2Fx^2/b+1/2qx^3/b$	0	x^2/b^2			
BC b	0	$-2Fb+2Fx$	0	0	0	0	0+0	0	
CB b	0	$2Fx$	0	0	0	0			
AD 2b	1	$1/4Fx$	0	$1/4Fx$	0	1	$(1/2+0)Fb^2/EJ$	$2Xb/EJ$	
DA 2b	-1	$-1/2Fb+1/4Fx$	0	$1/2Fb-1/4Fx$	0	1			
DE b	$1-x/b$	$1/2Fb-Fx$	0	$1/2Fb-3/2Fx+Fx^2/b$	0	$1-2x/b+x^2/b^2$	$(1/12+0)Fb^2/EJ$	$1/3Xb/EJ$	
ED b	$-x/b$	$1/2Fb-Fx$	0	$-1/2Fx+Fx^2/b$	0	x^2/b^2			
EF b	0	$-1/2Fb+Fx-1/2qx^2$	0	0	0	0	0+0	0	
FE b	0	$1/2qx^2$	0	0	0	0			
FG b	0	$-1/2Fx$	0	0	0	0	0+0	0	
GF b	0	$1/2Fb-1/2Fx$	0	0	0	0			
GC b	0	$-1/2Fb+Fx-1/2qx^2$	$-Fb/EJ$	0	0	0	0+0	0	
CG b	0	$1/2qx^2$	Fb/EJ	0	0	0			
HG b	0	0	0	0	0	0	0+0	0	
GH b	0	0	0	0	0	0			
HB b	0	$1/4Fb-1/4Fx$	0	0	0	0	0+0	0	
BH b	0	$-1/4Fx$	0	0	0	0			
HE b	0	$-1/4Fb+1/4Fx$	0	0	0	0	0+0	0	
EH b	0	$1/4Fx$	0	0	0	0			
AB	molla asta $-W_{1AB}(W_{0AB}+XW_{1AB})/k_{AB}$								$1/4Xb/EJ$
	totali							$7/8Fb^2/EJ$	$35/12Xb/EJ$
	iperstatica $X=W_{AB}$							$-3/10Fb$	

Sviluppi di calcolo iperstatica

$$L_{AB}^{xx} = \int_0^b (1 - 2x/b + x^2/b^2) \frac{1}{EJ} dx + 1 \cdot \frac{1}{4} \frac{b}{EJ} = \left[x - x^2/b + 1/3 x^3/b^2 \right]_0^b \frac{1}{EJ} + 1 \cdot \frac{1}{4} \frac{b}{EJ}$$

$$= (b - b + 1/3 b) \frac{1}{EJ} + 1 \cdot \frac{1}{4} \frac{b}{EJ} = 7/12 \frac{b}{EJ}$$

$$L_{BA}^{xx} = \int_0^b (x^2/b^2) \frac{1}{EJ} dx + 1 \cdot \frac{1}{4} \frac{b}{EJ} = \left[1/3 x^3/b^2 \right]_0^b \frac{1}{EJ} + 1 \cdot \frac{1}{4} \frac{b}{EJ}$$

$$= (1/3 b) \frac{1}{EJ} + 1 \cdot \frac{1}{4} \frac{b}{EJ} = 7/12 \frac{b}{EJ}$$

$$L_{AD}^{xx} = \int_0^{2b} (1) \frac{1}{EJ} dx = \left[x \right]_0^{2b} \frac{1}{EJ}$$

$$= (2b) \frac{1}{EJ} = 2 \frac{b}{EJ}$$

$$L_{DA}^{xx} = \int_0^{2b} (1) \frac{1}{EJ} dx = \left[x \right]_0^{2b} \frac{1}{EJ}$$

$$= (2b) \frac{1}{EJ} = 2 \frac{b}{EJ}$$

$$L_{DE}^{xx} = \int_0^b (1 - 2x/b + x^2/b^2) \frac{1}{EJ} dx = \left[x - x^2/b + 1/3 x^3/b^2 \right]_0^b \frac{1}{EJ}$$

$$= (b - b + 1/3 b) \frac{1}{EJ} = 1/3 \frac{b}{EJ}$$

$$L_{ED}^{xx} = \int_0^b (x^2/b^2) \frac{1}{EJ} dx = \left[1/3 x^3/b^2 \right]_0^b \frac{1}{EJ}$$

$$= (1/3 b) \frac{1}{EJ} = 1/3 \frac{b}{EJ}$$

$$L_{AB}^{xo} = \int_0^b (3/2 x/b - x^2/b^2 - 1/2 x^3/b^3) Fb \frac{1}{EJ} dx + 1 \cdot 0 \cdot \frac{1}{4} \frac{Fb^2}{EJ}$$

$$= \left[3/4 x^2/b - 1/3 x^3/b^2 - 1/8 x^4/b^3 \right]_0^b Fb \frac{1}{EJ} + 1 \cdot 0 \cdot \frac{1}{4} \frac{Fb^2}{EJ}$$

$$= (3/4 b - 1/3 b - 1/8 b) Fb \frac{1}{EJ} + 1 \cdot 0 \cdot \frac{1}{4} \frac{Fb^2}{EJ} = 7/24 \frac{Fb^2}{EJ}$$

$$L_{BA}^{xo} = \int_0^b (2x/b - 5/2 x^2/b^2 + 1/2 x^3/b^3) Fb \frac{1}{EJ} dx + 1 \cdot 0 \cdot \frac{1}{4} \frac{Fb^2}{EJ}$$

$$= \left[x^2/b - 5/6 x^3/b^2 + 1/8 x^4/b^3 \right]_0^b Fb \frac{1}{EJ} + 1 \cdot 0 \cdot \frac{1}{4} \frac{Fb^2}{EJ}$$

$$= (b - 5/6 b + 1/8 b) Fb \frac{1}{EJ} + 1 \cdot 0 \cdot \frac{1}{4} \frac{Fb^2}{EJ} = 7/24 \frac{Fb^2}{EJ}$$

$$L_{AD}^{xo} = \int_0^{2b} (1/4 x/b) Fb \frac{1}{EJ} dx = \left[1/8 x^2/b \right]_0^{2b} Fb \frac{1}{EJ}$$

$$= (1/2 b) Fb \frac{1}{EJ} = 1/2 \frac{Fb^2}{EJ}$$

$$L_{DA}^{xo} = \int_0^{2b} (1/2 - 1/4 x/b) Fb \frac{1}{EJ} dx = \left[1/2 x - 1/8 x^2/b \right]_0^{2b} Fb \frac{1}{EJ}$$

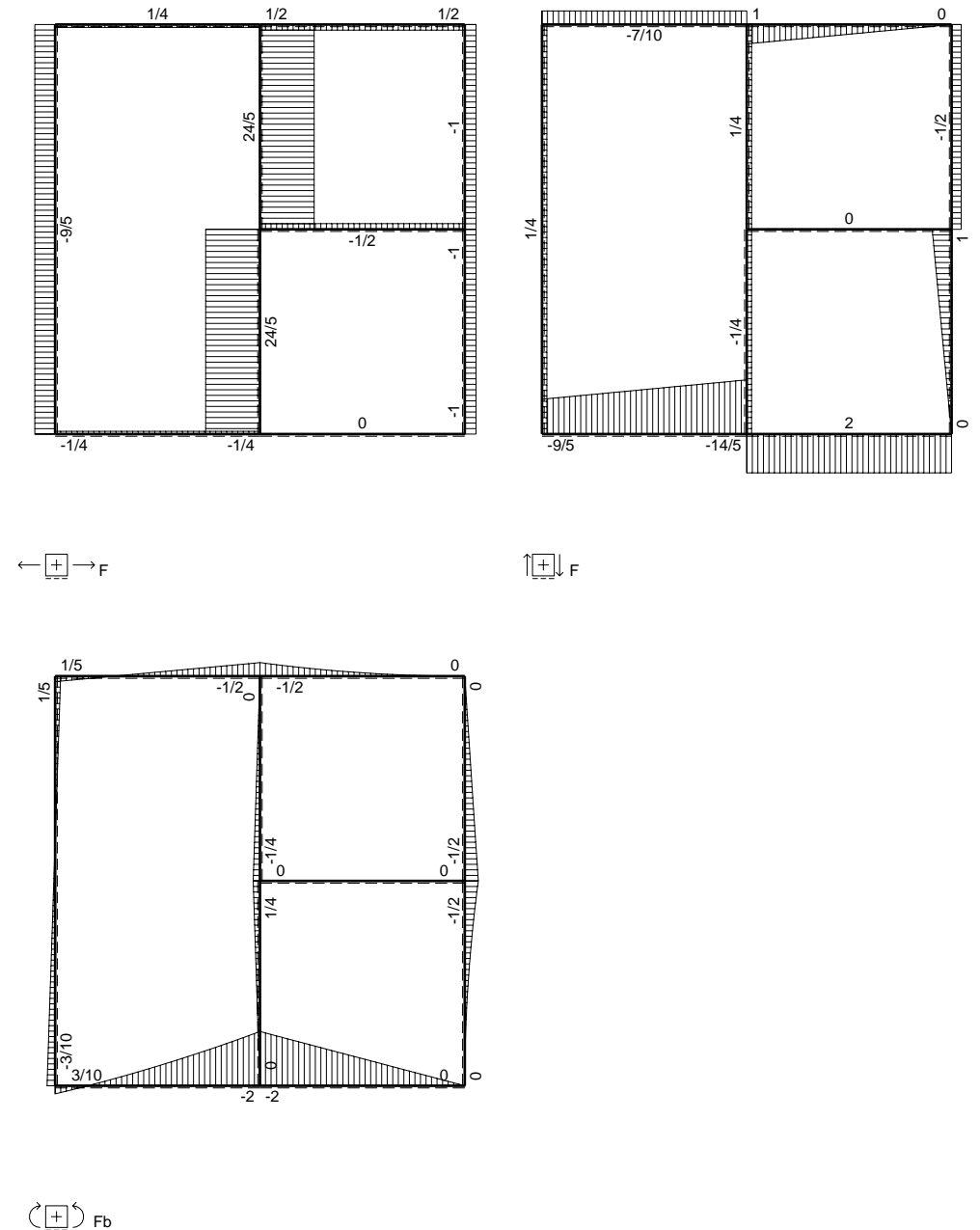
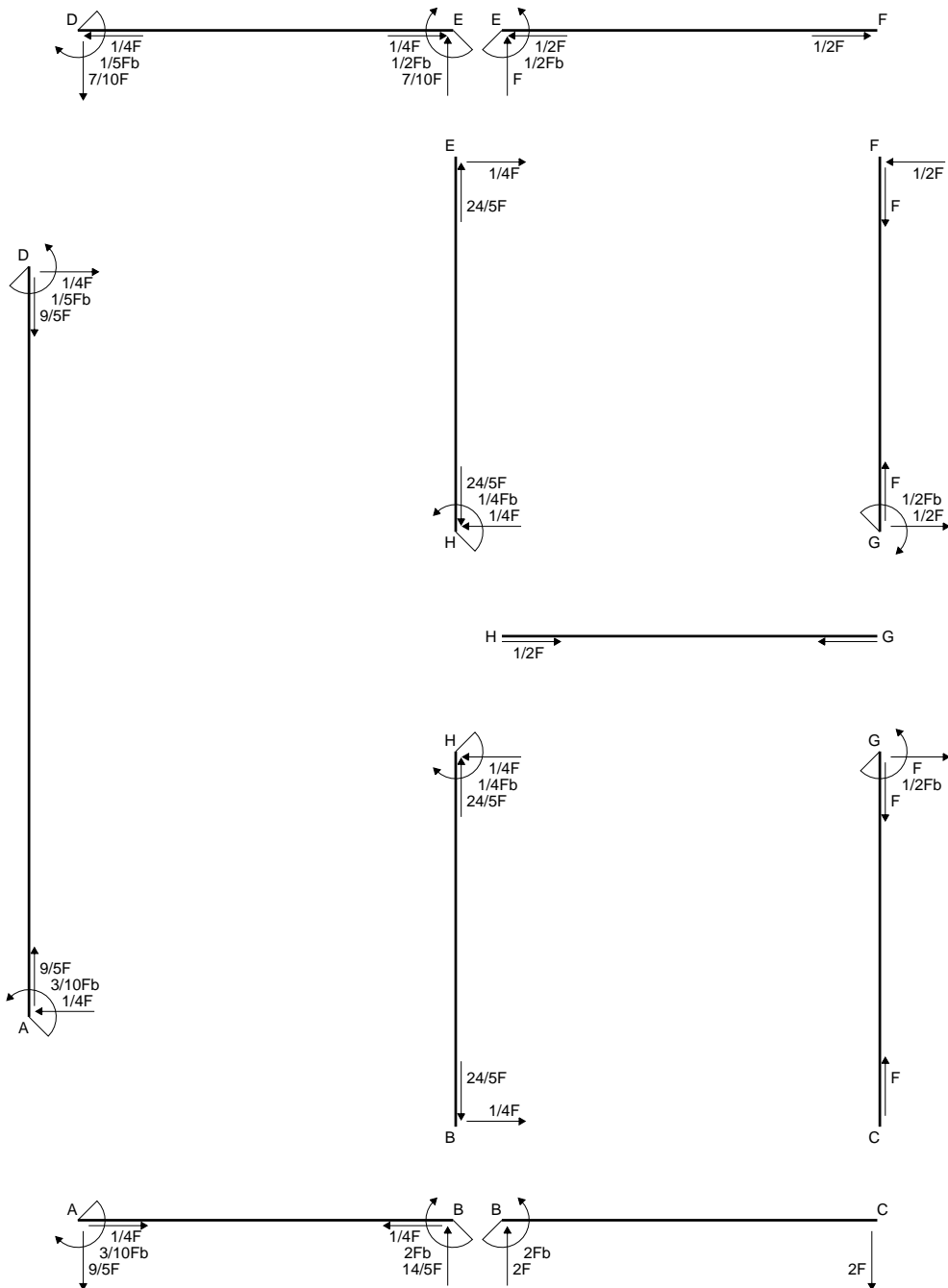
$$= (b - 1/2 b) Fb \frac{1}{EJ} = 1/2 \frac{Fb^2}{EJ}$$

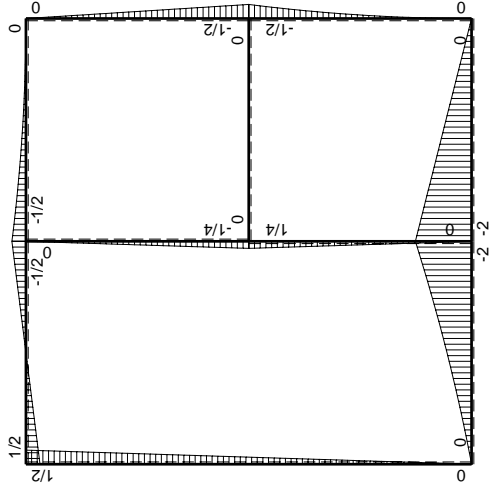
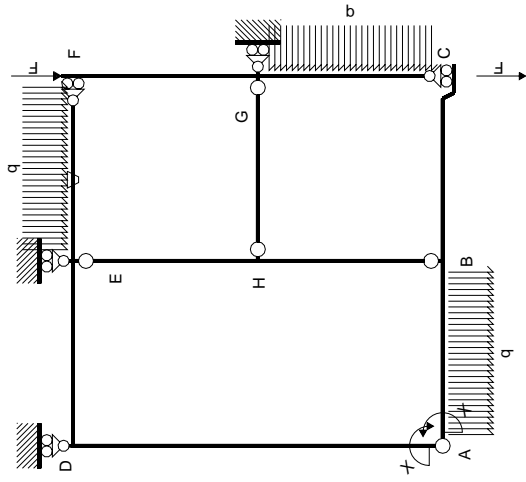
$$L_{DE}^{xo} = \int_0^b (1/2 - 3/2 x/b + x^2/b^2) Fb \frac{1}{EJ} dx = \left[1/2 x - 3/4 x^2/b + 1/3 x^3/b^2 \right]_0^b Fb \frac{1}{EJ}$$

$$= (1/2 b - 3/4 b + 1/3 b) Fb \frac{1}{EJ} = 1/12 \frac{Fb^2}{EJ}$$

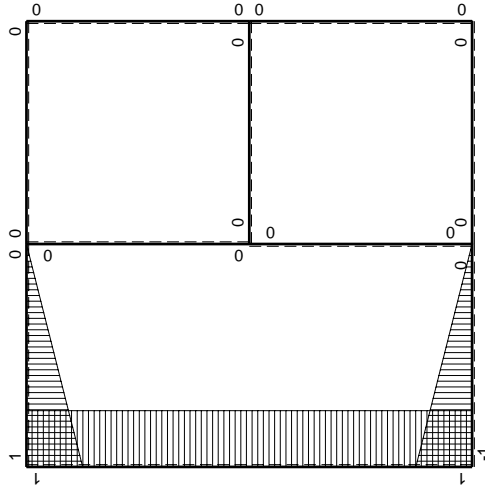
$$L_{ED}^{xo} = \int_0^b (-1/2 x/b + x^2/b^2) Fb \frac{1}{EJ} dx = \left[-1/4 x^2/b + 1/3 x^3/b^2 \right]_0^b Fb \frac{1}{EJ}$$

$$= (-1/4 b + 1/3 b) Fb \frac{1}{EJ} = 1/12 \frac{Fb^2}{EJ}$$





M_0 flessione da carichi assegnati



M_x flessione da iperstatica $X=1$

Quadro contributi PLV per iperstatica $X=W_{AB}$

→	$M_x(x)$	$M_o(x)$	θ	$M_x M_o$	$M_x \theta$	$M_x M_x$	$\int M_x(M_o/EJ+\theta)dx$	$\int X M_x M_x/EJ dx$	
AB b	$-1+x/b$	$-3/2Fx-1/2qx^2$	0	$3/2Fx-Fx^2/b-1/2qx^3/b$	0	$1-2x/b+x^2/b^2$	$(7/24+0)Fb^2/EJ$	$1/3Xb/EJ$	
BA b	x/b	$2Fb-5/2Fx+1/2qx^2$	0	$2Fx-5/2Fx^2/b+1/2qx^3/b$	0	x^2/b^2			
BC b	0	$-2Fb+2Fx$	0	0	0	0	0+0	0	
CB b	0	$2Fx$	0	0	0	0			
AD 2b	1	$1/4Fx$	0	$1/4Fx$	0	1	$(1/2+0)Fb^2/EJ$	$2Xb/EJ$	
DA 2b	-1	$-1/2Fb+1/4Fx$	0	$1/2Fb-1/4Fx$	0	1			
DE b	$1-x/b$	$1/2Fb-Fx$	0	$1/2Fb-3/2Fx+Fx^2/b$	0	$1-2x/b+x^2/b^2$	$(1/12+0)Fb^2/EJ$	$1/3Xb/EJ$	
ED b	$-x/b$	$1/2Fb-Fx$	0	$-1/2Fx+Fx^2/b$	0	x^2/b^2			
EF b	0	$-1/2Fb+Fx-1/2qx^2$	$-Fb/EJ$	0	0	0	0+0	0	
FE b	0	$1/2qx^2$	Fb/EJ	0	0	0			
FG b	0	$-1/2Fx$	0	0	0	0	0+0	0	
GF b	0	$1/2Fb-1/2Fx$	0	0	0	0			
GC b	0	$-1/2Fb+Fx-1/2qx^2$	0	0	0	0	0+0	0	
CG b	0	$1/2qx^2$	0	0	0	0			
HG b	0	0	0	0	0	0	0+0	0	
GH b	0	0	0	0	0	0			
HB b	0	$1/4Fb-1/4Fx$	0	0	0	0	0+0	0	
BH b	0	$-1/4Fx$	0	0	0	0			
HE b	0	$-1/4Fb+1/4Fx$	0	0	0	0	0+0	0	
EH b	0	$1/4Fx$	0	0	0	0			
AB	molla asta $-W_{1AB}(W_{0AB}+XW_{1AB})/k_{AB}$								$1/4Xb/EJ$
	totali							$7/8Fb^2/EJ$	$35/12Xb/EJ$
	iperstatica $X=W_{AB}$							$-3/10Fb$	

Sviluppi di calcolo iperstatica

$$L_{AB}^{xx} = \int_0^b (1 - 2x/b + x^2/b^2) \cdot 1/EJ \, dx + 1 \cdot 1/4 \cdot b/EJ = \left[x - x^2/b + 1/3 x^3/b^2 \right]_0^b \cdot 1/EJ + 1 \cdot 1/4 \cdot b/EJ$$

$$= (b - b + 1/3 b) \cdot 1/EJ + 1 \cdot 1/4 \cdot b/EJ = 7/12 \cdot b/EJ$$

$$L_{BA}^{xx} = \int_0^b (x^2/b^2) \cdot 1/EJ \, dx + 1 \cdot 1/4 \cdot b/EJ = \left[1/3 x^3/b^2 \right]_0^b \cdot 1/EJ + 1 \cdot 1/4 \cdot b/EJ$$

$$= (1/3 b) \cdot 1/EJ + 1 \cdot 1/4 \cdot b/EJ = 7/12 \cdot b/EJ$$

$$L_{AD}^{xx} = \int_0^{2b} (1) \cdot 1/EJ \, dx = \left[x \right]_0^{2b} \cdot 1/EJ$$

$$= (2b) \cdot 1/EJ = 2 \cdot b/EJ$$

$$L_{DA}^{xx} = \int_0^{2b} (1) \cdot 1/EJ \, dx = \left[x \right]_0^{2b} \cdot 1/EJ$$

$$= (2b) \cdot 1/EJ = 2 \cdot b/EJ$$

$$L_{DE}^{xx} = \int_0^b (1 - 2x/b + x^2/b^2) \cdot 1/EJ \, dx = \left[x - x^2/b + 1/3 x^3/b^2 \right]_0^b \cdot 1/EJ$$

$$= (b - b + 1/3 b) \cdot 1/EJ = 1/3 \cdot b/EJ$$

$$L_{ED}^{xx} = \int_0^b (x^2/b^2) \cdot 1/EJ \, dx = \left[1/3 x^3/b^2 \right]_0^b \cdot 1/EJ$$

$$= (1/3 b) \cdot 1/EJ = 1/3 \cdot b/EJ$$

$$L_{AB}^{xo} = \int_0^b (3/2 x/b - x^2/b^2 - 1/2 x^3/b^3) \cdot Fb \cdot 1/EJ \, dx + 1 \cdot 0 \cdot 1/4 \cdot Fb^2/EJ$$

$$= \left[3/4 x^2/b - 1/3 x^3/b^2 - 1/8 x^4/b^3 \right]_0^b \cdot Fb \cdot 1/EJ + 1 \cdot 0 \cdot 1/4 \cdot Fb^2/EJ$$

$$= (3/4 b - 1/3 b - 1/8 b) \cdot Fb \cdot 1/EJ + 1 \cdot 0 \cdot 1/4 \cdot Fb^2/EJ = 7/24 \cdot Fb^2/EJ$$

$$L_{BA}^{xo} = \int_0^b (2x/b - 5/2 x^2/b^2 + 1/2 x^3/b^3) \cdot Fb \cdot 1/EJ \, dx + 1 \cdot 0 \cdot 1/4 \cdot Fb^2/EJ$$

$$= \left[x^2/b - 5/6 x^3/b^2 + 1/8 x^4/b^3 \right]_0^b \cdot Fb \cdot 1/EJ + 1 \cdot 0 \cdot 1/4 \cdot Fb^2/EJ$$

$$= (b - 5/6 b + 1/8 b) \cdot Fb \cdot 1/EJ + 1 \cdot 0 \cdot 1/4 \cdot Fb^2/EJ = 7/24 \cdot Fb^2/EJ$$

$$L_{AD}^{xo} = \int_0^{2b} (1/4 x/b) \cdot Fb \cdot 1/EJ \, dx = \left[1/8 x^2/b \right]_0^{2b} \cdot Fb \cdot 1/EJ$$

$$= (1/2 b) \cdot Fb \cdot 1/EJ = 1/2 \cdot Fb^2/EJ$$

$$L_{DA}^{xo} = \int_0^{2b} (1/2 - 1/4 x/b) \cdot Fb \cdot 1/EJ \, dx = \left[1/2 x - 1/8 x^2/b \right]_0^{2b} \cdot Fb \cdot 1/EJ$$

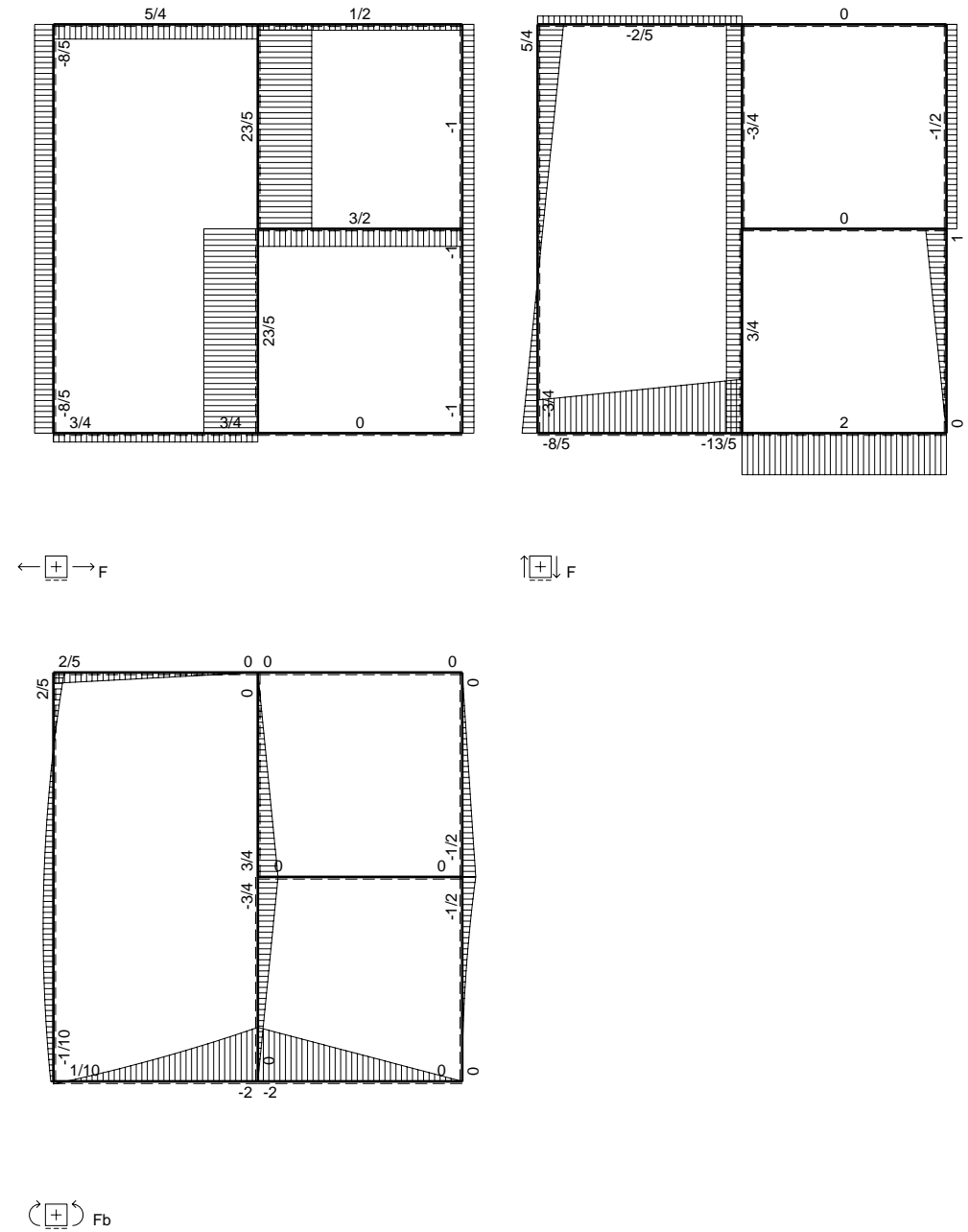
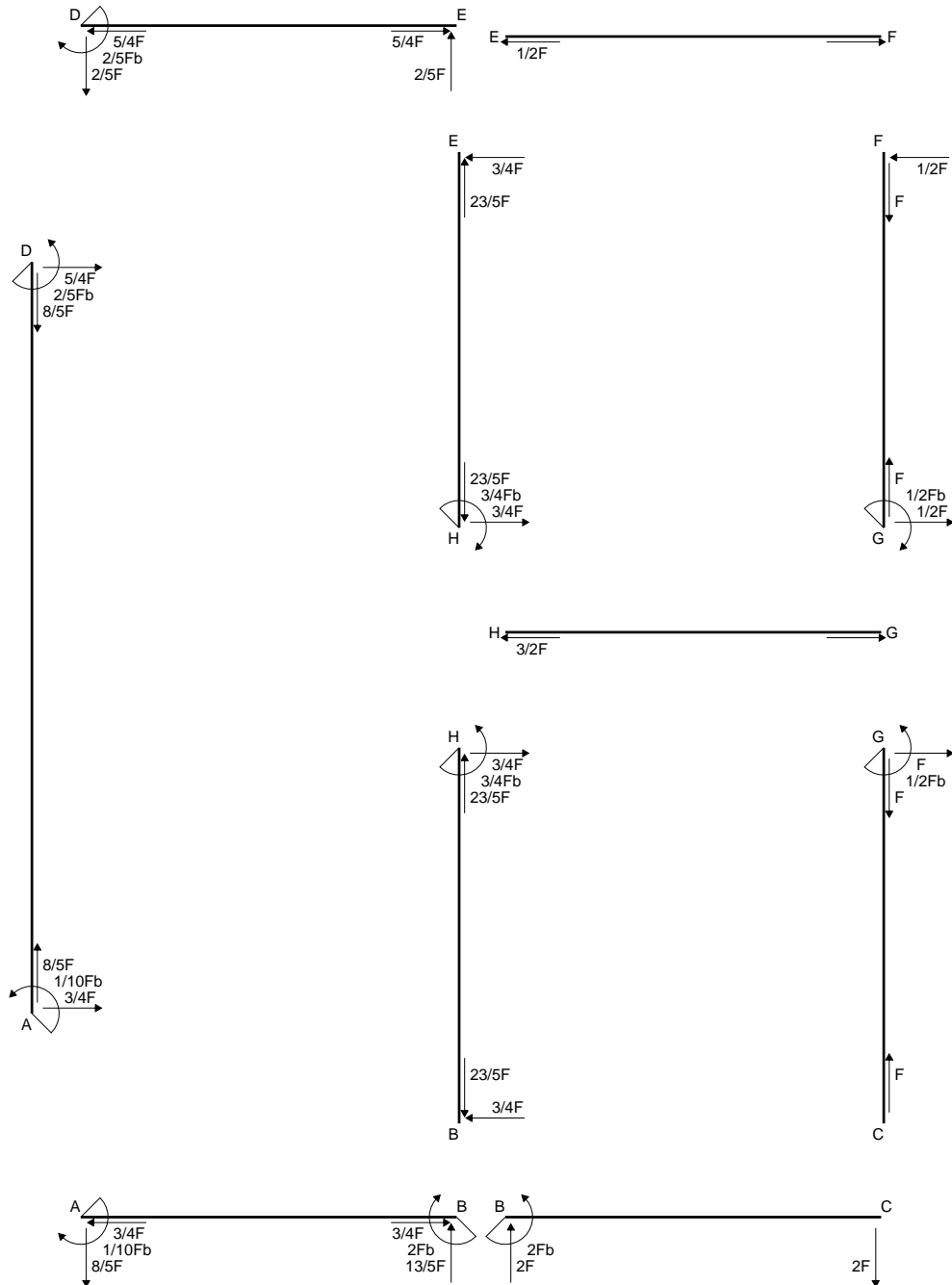
$$= (b - 1/2 b) \cdot Fb \cdot 1/EJ = 1/2 \cdot Fb^2/EJ$$

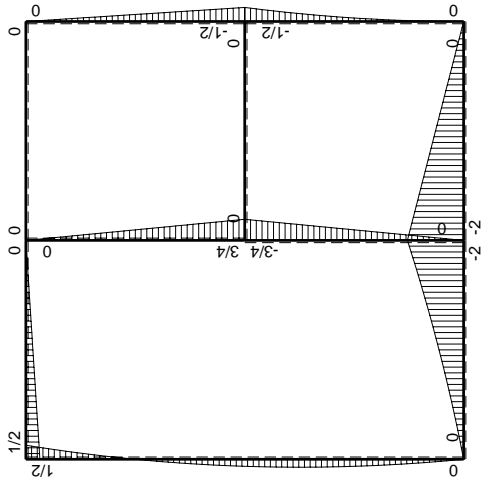
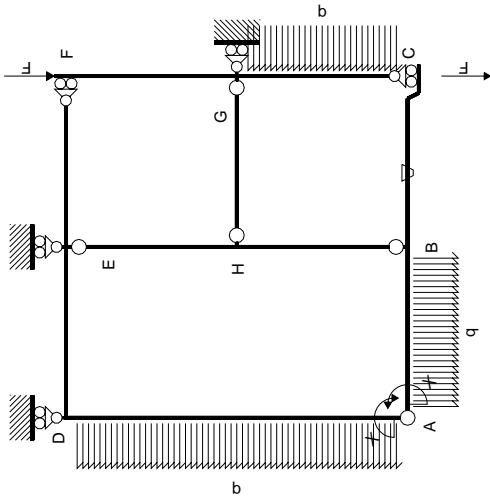
$$L_{DE}^{xo} = \int_0^b (1/2 - 3/2 x/b + x^2/b^2) \cdot Fb \cdot 1/EJ \, dx = \left[1/2 x - 3/4 x^2/b + 1/3 x^3/b^2 \right]_0^b \cdot Fb \cdot 1/EJ$$

$$= (1/2 b - 3/4 b + 1/3 b) \cdot Fb \cdot 1/EJ = 1/12 \cdot Fb^2/EJ$$

$$L_{ED}^{xo} = \int_0^b (-1/2 x/b + x^2/b^2) \cdot Fb \cdot 1/EJ \, dx = \left[-1/4 x^2/b + 1/3 x^3/b^2 \right]_0^b \cdot Fb \cdot 1/EJ$$

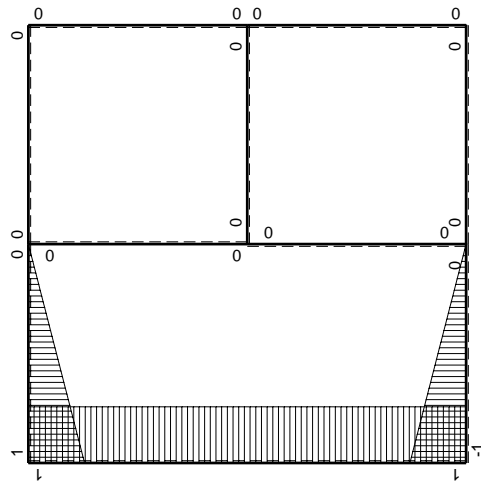
$$= (-1/4 b + 1/3 b) \cdot Fb \cdot 1/EJ = 1/12 \cdot Fb^2/EJ$$





Schema di calcolo iperstatico

M_0 flessione da carichi assegnati



M_x flessione da iperstatica $X=1$

Quadro contributi PLV per iperstatica $X=W_{AB}$

→	$M_x(x)$	$M_o(x)$	θ	$M_x M_o$	$M_x \theta$	$M_x M_x$	$\int M_x(M_o/EJ+\theta)dx$	$\int X M_x M_x/EJdx$
AB b	$-1+x/b$	$-3/2Fx-1/2qx^2$	0	$3/2Fx-Fx^2/b-1/2qx^3/b$	0	$1-2x/b+x^2/b^2$	$(7/24+0)Fb^2/EJ$	$1/3Xb/EJ$
BA b	x/b	$2Fb-5/2Fx+1/2qx^2$	0	$2Fx-5/2Fx^2/b+1/2qx^3/b$	0	x^2/b^2		
BC b	0	$-2Fb+2Fx$	$-Fb/EJ$	0	0	0	0+0	0
CB b	0	$2Fx$	Fb/EJ	0	0	0		
AD 2b	1	$-3/4Fx+1/2qx^2$	0	$-3/4Fx+1/2Fx^2/b$	0	1	$(-1/6+0)Fb^2/EJ$	$2Xb/EJ$
DA 2b	-1	$-1/2Fb+5/4Fx-1/2qx^2$	0	$1/2Fb-5/4Fx+1/2Fx^2/b$	0	1		
DE b	$1-x/b$	$1/2Fb-1/2Fx$	0	$1/2Fb-Fx+1/2Fx^2/b$	0	$1-2x/b+x^2/b^2$	$(1/6+0)Fb^2/EJ$	$1/3Xb/EJ$
ED b	$-x/b$	$-1/2Fx$	0	$1/2Fx^2/b$	0	x^2/b^2		
EF b	0	0	0	0	0	0	0+0	0
FE b	0	0	0	0	0	0		
FG b	0	$-1/2Fx$	0	0	0	0	0+0	0
GF b	0	$1/2Fb-1/2Fx$	0	0	0	0		
GC b	0	$-1/2Fb+Fx-1/2qx^2$	0	0	0	0	0+0	0
CG b	0	$1/2qx^2$	0	0	0	0		
HG b	0	0	0	0	0	0	0+0	0
GH b	0	0	0	0	0	0		
HB b	0	$-3/4Fb+3/4Fx$	0	0	0	0	0+0	0
BH b	0	$3/4Fx$	0	0	0	0		
HE b	0	$3/4Fb-3/4Fx$	0	0	0	0	0+0	0
EH b	0	$-3/4Fx$	0	0	0	0		
AB	molla asta $-W_{1AB}(W_{0AB}+XW_{1AB})/k_{AB}$							$1/4Xb/EJ$
	totali						$7/24Fb^2/EJ$	$35/12Xb/EJ$
	iperstatica $X=W_{AB}$						$-1/10Fb$	

Sviluppi di calcolo iperstatica

$$L_{AB}^{xx} = \int_0^b (1 - 2x/b + x^2/b^2) \cdot 1/EJ \, dx + 1 \cdot 1/4 \cdot b/EJ = \left[x - x^2/b + 1/3 x^3/b^2 \right]_0^b \cdot 1/EJ + 1 \cdot 1/4 \cdot b/EJ$$

$$= (b - b + 1/3 b) \cdot 1/EJ + 1 \cdot 1/4 \cdot b/EJ = 7/12 \cdot b/EJ$$

$$L_{BA}^{xx} = \int_0^b (x^2/b^2) \cdot 1/EJ \, dx + 1 \cdot 1/4 \cdot b/EJ = \left[1/3 x^3/b^2 \right]_0^b \cdot 1/EJ + 1 \cdot 1/4 \cdot b/EJ$$

$$= (1/3 b) \cdot 1/EJ + 1 \cdot 1/4 \cdot b/EJ = 7/12 \cdot b/EJ$$

$$L_{AD}^{xx} = \int_0^{2b} (1) \cdot 1/EJ \, dx = \left[x \right]_0^{2b} \cdot 1/EJ$$

$$= (2b) \cdot 1/EJ = 2 \cdot b/EJ$$

$$L_{DA}^{xx} = \int_0^{2b} (1) \cdot 1/EJ \, dx = \left[x \right]_0^{2b} \cdot 1/EJ$$

$$= (2b) \cdot 1/EJ = 2 \cdot b/EJ$$

$$L_{DE}^{xx} = \int_0^b (1 - 2x/b + x^2/b^2) \cdot 1/EJ \, dx = \left[x - x^2/b + 1/3 x^3/b^2 \right]_0^b \cdot 1/EJ$$

$$= (b - b + 1/3 b) \cdot 1/EJ = 1/3 \cdot b/EJ$$

$$L_{ED}^{xx} = \int_0^b (x^2/b^2) \cdot 1/EJ \, dx = \left[1/3 x^3/b^2 \right]_0^b \cdot 1/EJ$$

$$= (1/3 b) \cdot 1/EJ = 1/3 \cdot b/EJ$$

$$L_{AB}^{xo} = \int_0^b (3/2 x/b - x^2/b^2 - 1/2 x^3/b^3) \cdot Fb \cdot 1/EJ \, dx + 1 \cdot 0 \cdot 1/4 \cdot Fb^2/EJ$$

$$= \left[3/4 x^2/b - 1/3 x^3/b^2 - 1/8 x^4/b^3 \right]_0^b \cdot Fb \cdot 1/EJ + 1 \cdot 0 \cdot 1/4 \cdot Fb^2/EJ$$

$$= (3/4 b - 1/3 b - 1/8 b) \cdot Fb \cdot 1/EJ + 1 \cdot 0 \cdot 1/4 \cdot Fb^2/EJ = 7/24 \cdot Fb^2/EJ$$

$$L_{BA}^{xo} = \int_0^b (2x/b - 5/2 x^2/b^2 + 1/2 x^3/b^3) \cdot Fb \cdot 1/EJ \, dx + 1 \cdot 0 \cdot 1/4 \cdot Fb^2/EJ$$

$$= \left[x^2/b - 5/6 x^3/b^2 + 1/8 x^4/b^3 \right]_0^b \cdot Fb \cdot 1/EJ + 1 \cdot 0 \cdot 1/4 \cdot Fb^2/EJ$$

$$= (b - 5/6 b + 1/8 b) \cdot Fb \cdot 1/EJ + 1 \cdot 0 \cdot 1/4 \cdot Fb^2/EJ = 7/24 \cdot Fb^2/EJ$$

$$L_{AD}^{xo} = \int_0^{2b} (-3/4 x/b + 1/2 x^2/b^2) \cdot Fb \cdot 1/EJ \, dx = \left[-3/8 x^2/b + 1/6 x^3/b^2 \right]_0^{2b} \cdot Fb \cdot 1/EJ$$

$$= (-3/2 b + 4/3 b) \cdot Fb \cdot 1/EJ = -1/6 \cdot Fb^2/EJ$$

$$L_{DA}^{xo} = \int_0^{2b} (1/2 - 5/4 x/b + 1/2 x^2/b^2) \cdot Fb \cdot 1/EJ \, dx = \left[1/2 x - 5/8 x^2/b + 1/6 x^3/b^2 \right]_0^{2b} \cdot Fb \cdot 1/EJ$$

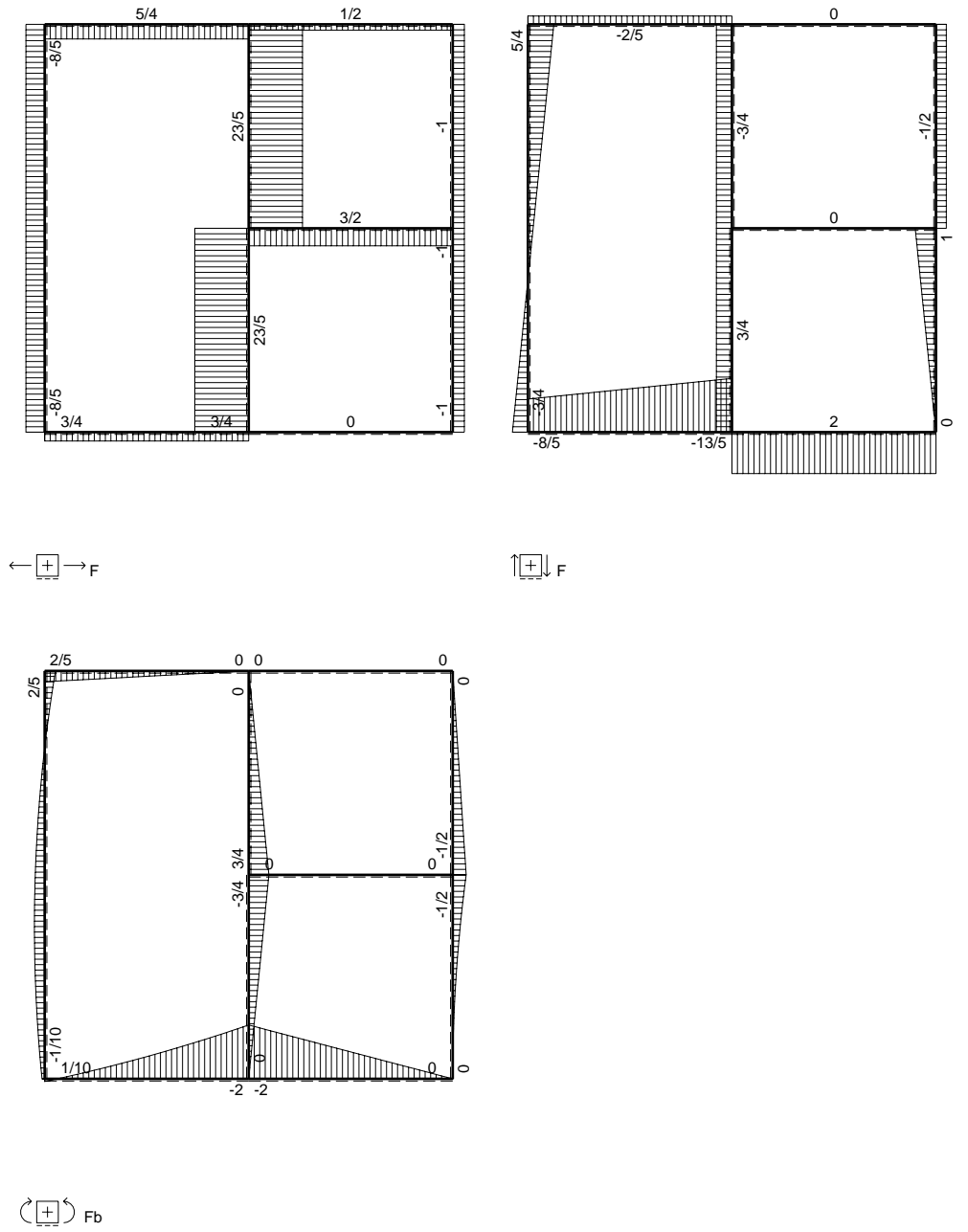
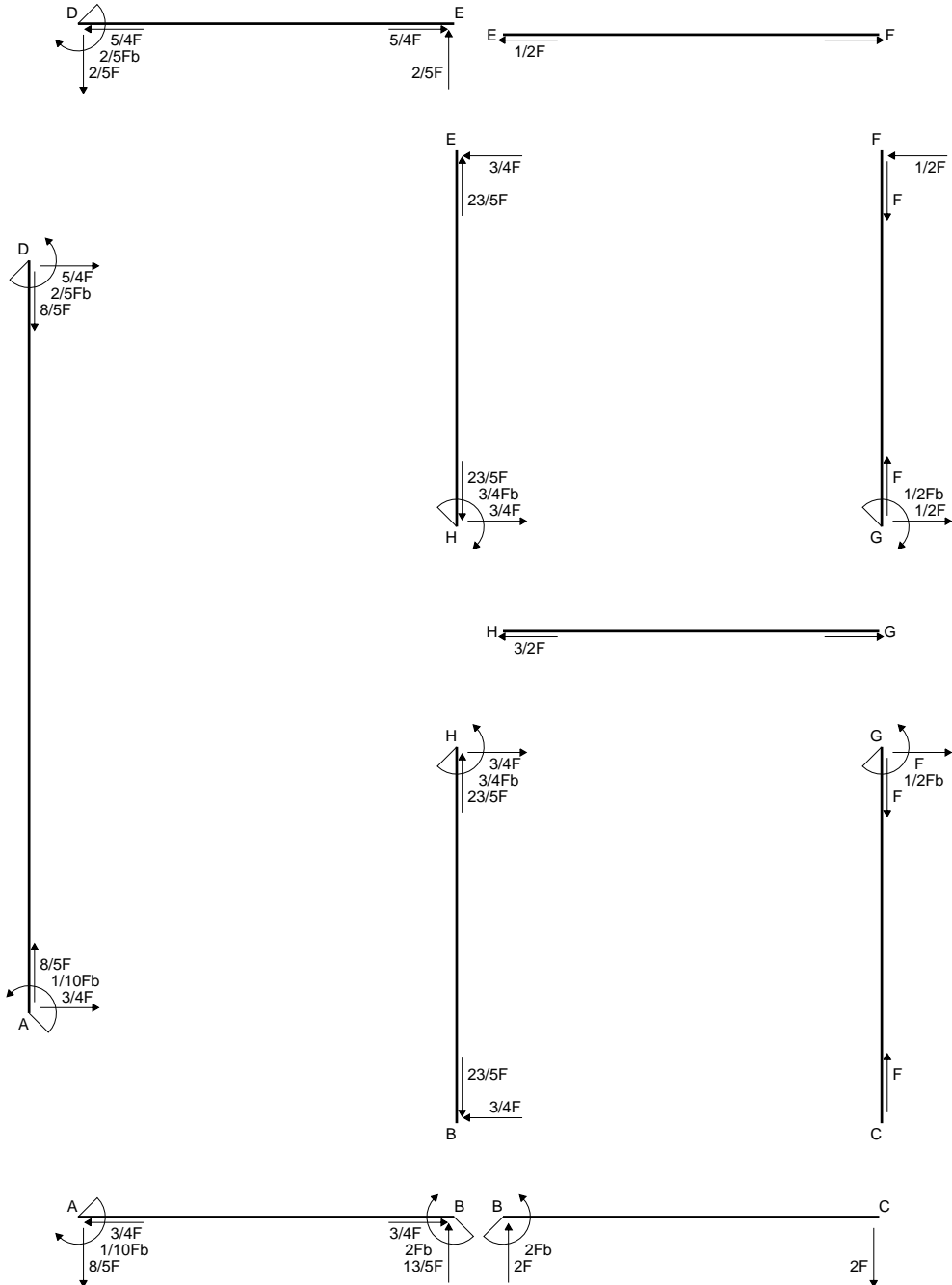
$$= (b - 5/2 b + 4/3 b) \cdot Fb \cdot 1/EJ = -1/6 \cdot Fb^2/EJ$$

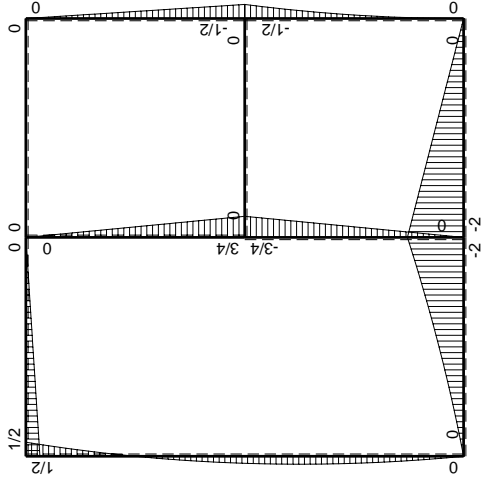
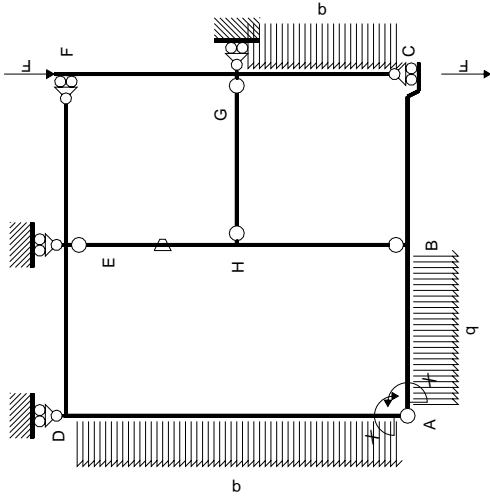
$$L_{DE}^{xo} = \int_0^b (1/2 - x/b + 1/2 x^2/b^2) \cdot Fb \cdot 1/EJ \, dx = \left[1/2 x - 1/2 x^2/b + 1/6 x^3/b^2 \right]_0^b \cdot Fb \cdot 1/EJ$$

$$= (1/2 b - 1/2 b + 1/6 b) \cdot Fb \cdot 1/EJ = 1/6 \cdot Fb^2/EJ$$

$$L_{ED}^{xo} = \int_0^b (1/2 x^2/b^2) \cdot Fb \cdot 1/EJ \, dx = \left[1/6 x^3/b^2 \right]_0^b \cdot Fb \cdot 1/EJ$$

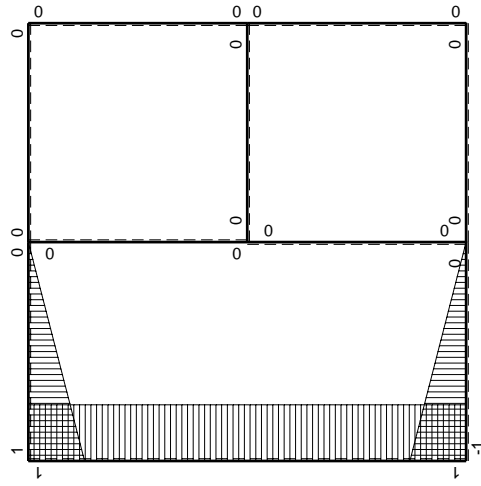
$$= (1/6 b) \cdot Fb \cdot 1/EJ = 1/6 \cdot Fb^2/EJ$$





Schema di calcolo iperstatico

M_0 flessione da carichi assegnati



M_x flessione da iperstatica $X=1$

Quadro contributi PLV per iperstatica $X=W_{AB}$

→	$M_x(x)$	$M_o(x)$	θ	$M_x M_o$	$M_x \theta$	$M_x M_x$	$\int M_x(M_o/EJ+\theta)dx$	$\int X M_x M_x/EJdx$
AB b	$-1+x/b$	$-3/2Fx-1/2qx^2$	0	$3/2Fx-Fx^2/b-1/2qx^3/b$	0	$1-2x/b+x^2/b^2$	$(7/24+0)Fb^2/EJ$	$1/3Xb/EJ$
BA b	x/b	$2Fb-5/2Fx+1/2qx^2$	0	$2Fx-5/2Fx^2/b+1/2qx^3/b$	0	x^2/b^2		
BC b	0	$-2Fb+2Fx$	0	0	0	0	0+0	0
CB b	0	$2Fx$	0	0	0	0		
AD 2b	1	$-3/4Fx+1/2qx^2$	0	$-3/4Fx+1/2Fx^2/b$	0	1	$(-1/6+0)Fb^2/EJ$	$2Xb/EJ$
DA 2b	-1	$-1/2Fb+5/4Fx-1/2qx^2$	0	$1/2Fb-5/4Fx+1/2Fx^2/b$	0	1		
DE b	$1-x/b$	$1/2Fb-1/2Fx$	0	$1/2Fb-Fx+1/2Fx^2/b$	0	$1-2x/b+x^2/b^2$	$(1/6+0)Fb^2/EJ$	$1/3Xb/EJ$
ED b	$-x/b$	$-1/2Fx$	0	$1/2Fx^2/b$	0	x^2/b^2		
EF b	0	0	0	0	0	0	0+0	0
FE b	0	0	0	0	0	0		
FG b	0	$-1/2Fx$	0	0	0	0	0+0	0
GF b	0	$1/2Fb-1/2Fx$	0	0	0	0		
GC b	0	$-1/2Fb+Fx-1/2qx^2$	0	0	0	0	0+0	0
CG b	0	$1/2qx^2$	0	0	0	0		
HG b	0	0	0	0	0	0	0+0	0
GH b	0	0	0	0	0	0		
HB b	0	$-3/4Fb+3/4Fx$	0	0	0	0	0+0	0
BH b	0	$3/4Fx$	0	0	0	0		
HE b	0	$3/4Fb-3/4Fx$	$-Fb/EJ$	0	0	0	0+0	0
EH b	0	$-3/4Fx$	Fb/EJ	0	0	0		
AB	molla asta $-W_{1AB}(W_{0AB}+XW_{1AB})/k_{AB}$							$1/4Xb/EJ$
	totali						$7/24Fb^2/EJ$	$35/12Xb/EJ$
	iperstatica $X=W_{AB}$						$-1/10Fb$	

Sviluppi di calcolo iperstatica

$$L_{AB}^{xx} = \int_0^b (1 - 2x/b + x^2/b^2) \cdot 1/EJ \, dx + 1 \cdot 1/4 \cdot b/EJ = \left[x - x^2/b + 1/3 x^3/b^2 \right]_0^b \cdot 1/EJ + 1 \cdot 1/4 \cdot b/EJ$$

$$= (b - b + 1/3 b) \cdot 1/EJ + 1 \cdot 1/4 \cdot b/EJ = 7/12 \cdot b/EJ$$

$$L_{BA}^{xx} = \int_0^b (x^2/b^2) \cdot 1/EJ \, dx + 1 \cdot 1/4 \cdot b/EJ = \left[1/3 x^3/b^2 \right]_0^b \cdot 1/EJ + 1 \cdot 1/4 \cdot b/EJ$$

$$= (1/3 b) \cdot 1/EJ + 1 \cdot 1/4 \cdot b/EJ = 7/12 \cdot b/EJ$$

$$L_{AD}^{xx} = \int_0^{2b} (1) \cdot 1/EJ \, dx = \left[x \right]_0^{2b} \cdot 1/EJ$$

$$= (2b) \cdot 1/EJ = 2 \cdot b/EJ$$

$$L_{DA}^{xx} = \int_0^{2b} (1) \cdot 1/EJ \, dx = \left[x \right]_0^{2b} \cdot 1/EJ$$

$$= (2b) \cdot 1/EJ = 2 \cdot b/EJ$$

$$L_{DE}^{xx} = \int_0^b (1 - 2x/b + x^2/b^2) \cdot 1/EJ \, dx = \left[x - x^2/b + 1/3 x^3/b^2 \right]_0^b \cdot 1/EJ$$

$$= (b - b + 1/3 b) \cdot 1/EJ = 1/3 \cdot b/EJ$$

$$L_{ED}^{xx} = \int_0^b (x^2/b^2) \cdot 1/EJ \, dx = \left[1/3 x^3/b^2 \right]_0^b \cdot 1/EJ$$

$$= (1/3 b) \cdot 1/EJ = 1/3 \cdot b/EJ$$

$$L_{AB}^{xo} = \int_0^b (3/2 x/b - x^2/b^2 - 1/2 x^3/b^3) \cdot Fb \cdot 1/EJ \, dx + 1 \cdot 0 \cdot 1/4 \cdot Fb^2/EJ$$

$$= \left[3/4 x^2/b - 1/3 x^3/b^2 - 1/8 x^4/b^3 \right]_0^b \cdot Fb \cdot 1/EJ + 1 \cdot 0 \cdot 1/4 \cdot Fb^2/EJ$$

$$= (3/4 b - 1/3 b - 1/8 b) \cdot Fb \cdot 1/EJ + 1 \cdot 0 \cdot 1/4 \cdot Fb^2/EJ = 7/24 \cdot Fb^2/EJ$$

$$L_{BA}^{xo} = \int_0^b (2x/b - 5/2 x^2/b^2 + 1/2 x^3/b^3) \cdot Fb \cdot 1/EJ \, dx + 1 \cdot 0 \cdot 1/4 \cdot Fb^2/EJ$$

$$= \left[x^2/b - 5/6 x^3/b^2 + 1/8 x^4/b^3 \right]_0^b \cdot Fb \cdot 1/EJ + 1 \cdot 0 \cdot 1/4 \cdot Fb^2/EJ$$

$$= (b - 5/6 b + 1/8 b) \cdot Fb \cdot 1/EJ + 1 \cdot 0 \cdot 1/4 \cdot Fb^2/EJ = 7/24 \cdot Fb^2/EJ$$

$$L_{AD}^{xo} = \int_0^{2b} (-3/4 x/b + 1/2 x^2/b^2) \cdot Fb \cdot 1/EJ \, dx = \left[-3/8 x^2/b + 1/6 x^3/b^2 \right]_0^{2b} \cdot Fb \cdot 1/EJ$$

$$= (-3/2 b + 4/3 b) \cdot Fb \cdot 1/EJ = -1/6 \cdot Fb^2/EJ$$

$$L_{DA}^{xo} = \int_0^{2b} (1/2 - 5/4 x/b + 1/2 x^2/b^2) \cdot Fb \cdot 1/EJ \, dx = \left[1/2 x - 5/8 x^2/b + 1/6 x^3/b^2 \right]_0^{2b} \cdot Fb \cdot 1/EJ$$

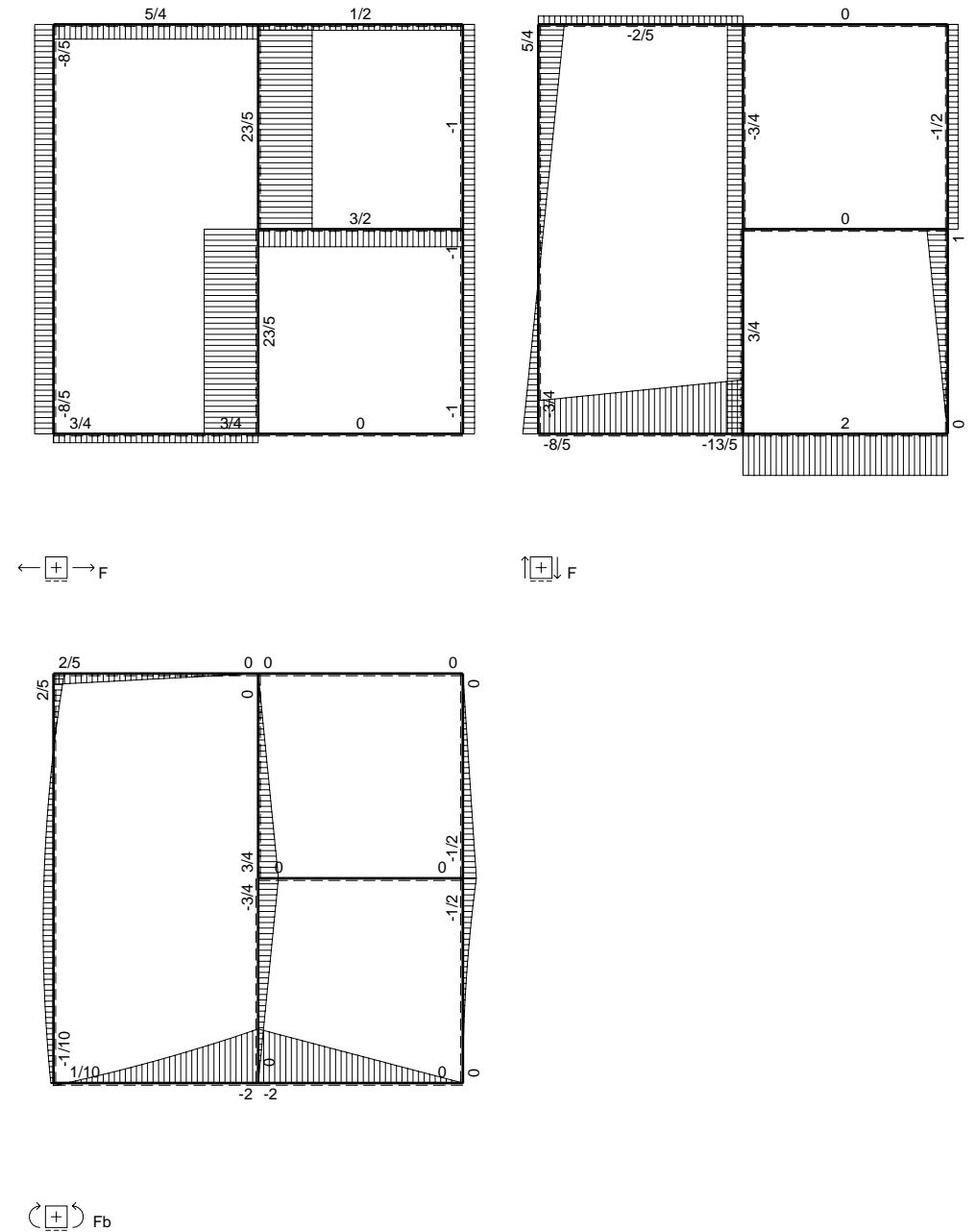
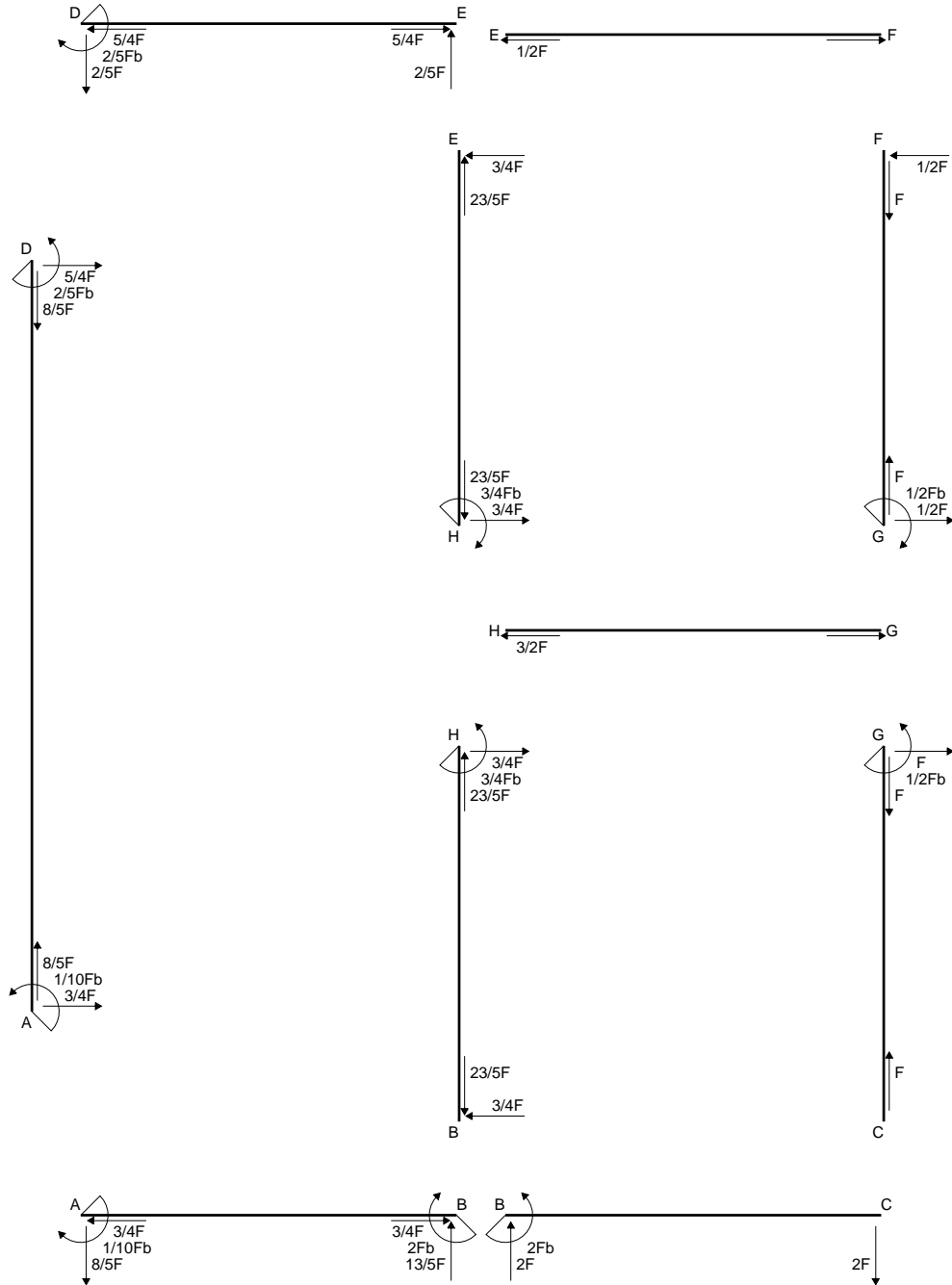
$$= (b - 5/2 b + 4/3 b) \cdot Fb \cdot 1/EJ = -1/6 \cdot Fb^2/EJ$$

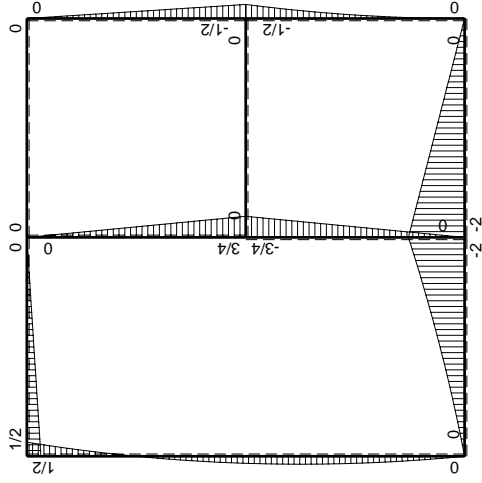
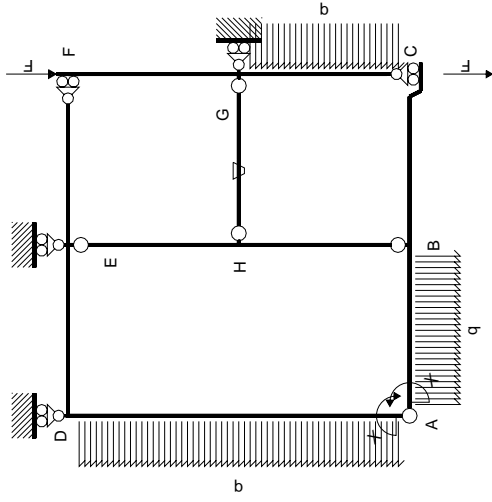
$$L_{DE}^{xo} = \int_0^b (1/2 - x/b + 1/2 x^2/b^2) \cdot Fb \cdot 1/EJ \, dx = \left[1/2 x - 1/2 x^2/b + 1/6 x^3/b^2 \right]_0^b \cdot Fb \cdot 1/EJ$$

$$= (1/2 b - 1/2 b + 1/6 b) \cdot Fb \cdot 1/EJ = 1/6 \cdot Fb^2/EJ$$

$$L_{ED}^{xo} = \int_0^b (1/2 x^2/b^2) \cdot Fb \cdot 1/EJ \, dx = \left[1/6 x^3/b^2 \right]_0^b \cdot Fb \cdot 1/EJ$$

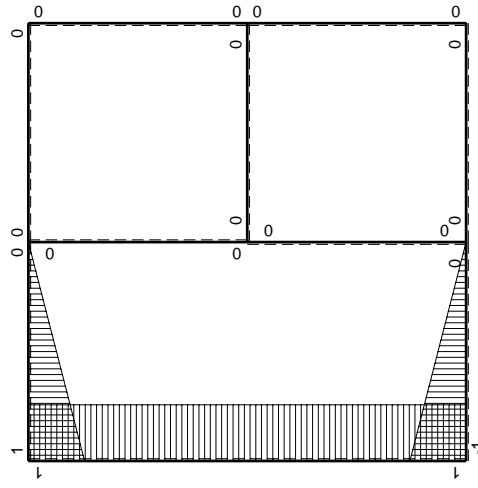
$$= (1/6 b) \cdot Fb \cdot 1/EJ = 1/6 \cdot Fb^2/EJ$$





Schema di calcolo iperstatico

M_0 flessione da carichi assegnati



M_x flessione da iperstatica $X=1$

Quadro contributi PLV per iperstatica $X=W_{AB}$

→	$M_x(x)$	$M_o(x)$	θ	$M_x M_o$	$M_x \theta$	$M_x M_x$	$\int M_x(M_o/EJ+\theta)dx$	$\int X M_x M_x/EJdx$
AB b	$-1+x/b$	$-3/2Fx-1/2qx^2$	0	$3/2Fx-Fx^2/b-1/2qx^3/b$	0	$1-2x/b+x^2/b^2$	$(7/24+0)Fb^2/EJ$	$1/3Xb/EJ$
BA b	x/b	$2Fb-5/2Fx+1/2qx^2$	0	$2Fx-5/2Fx^2/b+1/2qx^3/b$	0	x^2/b^2		
BC b	0	$-2Fb+2Fx$	0	0	0	0	0+0	0
CB b	0	$2Fx$	0	0	0	0		
AD 2b	1	$-3/4Fx+1/2qx^2$	0	$-3/4Fx+1/2Fx^2/b$	0	1	$(-1/6+0)Fb^2/EJ$	$2Xb/EJ$
DA 2b	-1	$-1/2Fb+5/4Fx-1/2qx^2$	0	$1/2Fb-5/4Fx+1/2Fx^2/b$	0	1		
DE b	$1-x/b$	$1/2Fb-1/2Fx$	0	$1/2Fb-Fx+1/2Fx^2/b$	0	$1-2x/b+x^2/b^2$	$(1/6+0)Fb^2/EJ$	$1/3Xb/EJ$
ED b	$-x/b$	$-1/2Fx$	0	$1/2Fx^2/b$	0	x^2/b^2		
EF b	0	0	0	0	0	0	0+0	0
FE b	0	0	0	0	0	0		
FG b	0	$-1/2Fx$	0	0	0	0	0+0	0
GF b	0	$1/2Fb-1/2Fx$	0	0	0	0		
GC b	0	$-1/2Fb+Fx-1/2qx^2$	0	0	0	0	0+0	0
CG b	0	$1/2qx^2$	0	0	0	0		
HG b	0	0	$-Fb/EJ$	0	0	0	0+0	0
GH b	0	0	Fb/EJ	0	0	0		
HB b	0	$-3/4Fb+3/4Fx$	0	0	0	0	0+0	0
BH b	0	$3/4Fx$	0	0	0	0		
HE b	0	$3/4Fb-3/4Fx$	0	0	0	0	0+0	0
EH b	0	$-3/4Fx$	0	0	0	0		
AB	molla asta $-W_{1AB}(W_{0AB}+XW_{1AB})/k_{AB}$							$1/4Xb/EJ$
	totali						$7/24Fb^2/EJ$	$35/12Xb/EJ$
	iperstatica $X=W_{AB}$						$-1/10Fb$	

Sviluppi di calcolo iperstatica

$$L_{AB}^{xx} = \int_0^b (1 - 2x/b + x^2/b^2) \cdot 1/EJ \, dx + 1 \cdot 1/4 \cdot b/EJ = \left[x - x^2/b + 1/3 x^3/b^2 \right]_0^b \cdot 1/EJ + 1 \cdot 1/4 \cdot b/EJ$$

$$= (b - b + 1/3 b) \cdot 1/EJ + 1 \cdot 1/4 \cdot b/EJ = 7/12 \cdot b/EJ$$

$$L_{BA}^{xx} = \int_0^b (x^2/b^2) \cdot 1/EJ \, dx + 1 \cdot 1/4 \cdot b/EJ = \left[1/3 x^3/b^2 \right]_0^b \cdot 1/EJ + 1 \cdot 1/4 \cdot b/EJ$$

$$= (1/3 b) \cdot 1/EJ + 1 \cdot 1/4 \cdot b/EJ = 7/12 \cdot b/EJ$$

$$L_{AD}^{xx} = \int_0^{2b} (1) \cdot 1/EJ \, dx = \left[x \right]_0^{2b} \cdot 1/EJ$$

$$= (2b) \cdot 1/EJ = 2 \cdot b/EJ$$

$$L_{DA}^{xx} = \int_0^{2b} (1) \cdot 1/EJ \, dx = \left[x \right]_0^{2b} \cdot 1/EJ$$

$$= (2b) \cdot 1/EJ = 2 \cdot b/EJ$$

$$L_{DE}^{xx} = \int_0^b (1 - 2x/b + x^2/b^2) \cdot 1/EJ \, dx = \left[x - x^2/b + 1/3 x^3/b^2 \right]_0^b \cdot 1/EJ$$

$$= (b - b + 1/3 b) \cdot 1/EJ = 1/3 \cdot b/EJ$$

$$L_{ED}^{xx} = \int_0^b (x^2/b^2) \cdot 1/EJ \, dx = \left[1/3 x^3/b^2 \right]_0^b \cdot 1/EJ$$

$$= (1/3 b) \cdot 1/EJ = 1/3 \cdot b/EJ$$

$$L_{AB}^{xo} = \int_0^b (3/2 x/b - x^2/b^2 - 1/2 x^3/b^3) \cdot Fb \cdot 1/EJ \, dx + 1 \cdot 0 \cdot 1/4 \cdot Fb^2/EJ$$

$$= \left[3/4 x^2/b - 1/3 x^3/b^2 - 1/8 x^4/b^3 \right]_0^b \cdot Fb \cdot 1/EJ + 1 \cdot 0 \cdot 1/4 \cdot Fb^2/EJ$$

$$= (3/4 b - 1/3 b - 1/8 b) \cdot Fb \cdot 1/EJ + 1 \cdot 0 \cdot 1/4 \cdot Fb^2/EJ = 7/24 \cdot Fb^2/EJ$$

$$L_{BA}^{xo} = \int_0^b (2x/b - 5/2 x^2/b^2 + 1/2 x^3/b^3) \cdot Fb \cdot 1/EJ \, dx + 1 \cdot 0 \cdot 1/4 \cdot Fb^2/EJ$$

$$= \left[x^2/b - 5/6 x^3/b^2 + 1/8 x^4/b^3 \right]_0^b \cdot Fb \cdot 1/EJ + 1 \cdot 0 \cdot 1/4 \cdot Fb^2/EJ$$

$$= (b - 5/6 b + 1/8 b) \cdot Fb \cdot 1/EJ + 1 \cdot 0 \cdot 1/4 \cdot Fb^2/EJ = 7/24 \cdot Fb^2/EJ$$

$$L_{AD}^{xo} = \int_0^{2b} (-3/4 x/b + 1/2 x^2/b^2) \cdot Fb \cdot 1/EJ \, dx = \left[-3/8 x^2/b + 1/6 x^3/b^2 \right]_0^{2b} \cdot Fb \cdot 1/EJ$$

$$= (-3/2 b + 4/3 b) \cdot Fb \cdot 1/EJ = -1/6 \cdot Fb^2/EJ$$

$$L_{DA}^{xo} = \int_0^{2b} (1/2 - 5/4 x/b + 1/2 x^2/b^2) \cdot Fb \cdot 1/EJ \, dx = \left[1/2 x - 5/8 x^2/b + 1/6 x^3/b^2 \right]_0^{2b} \cdot Fb \cdot 1/EJ$$

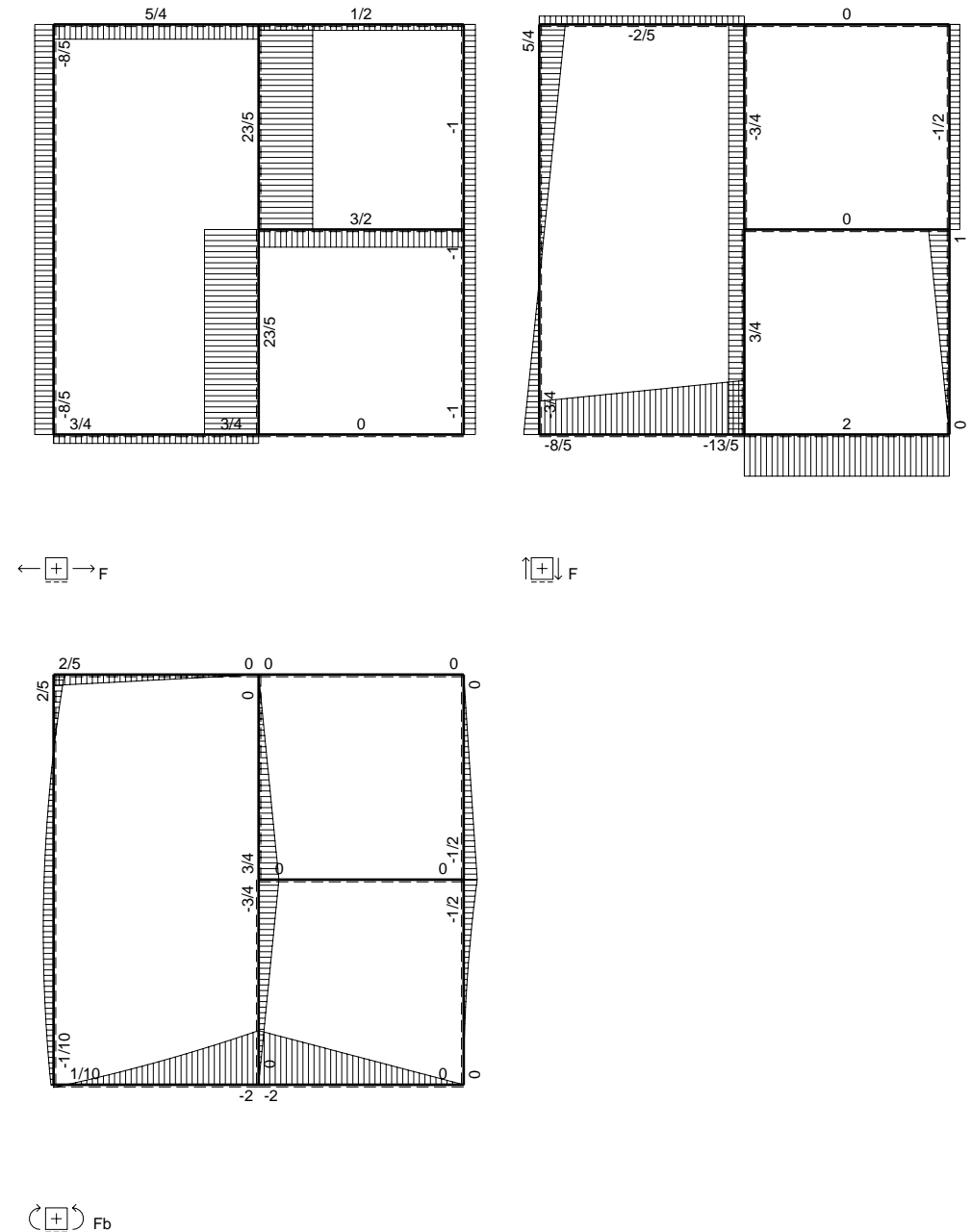
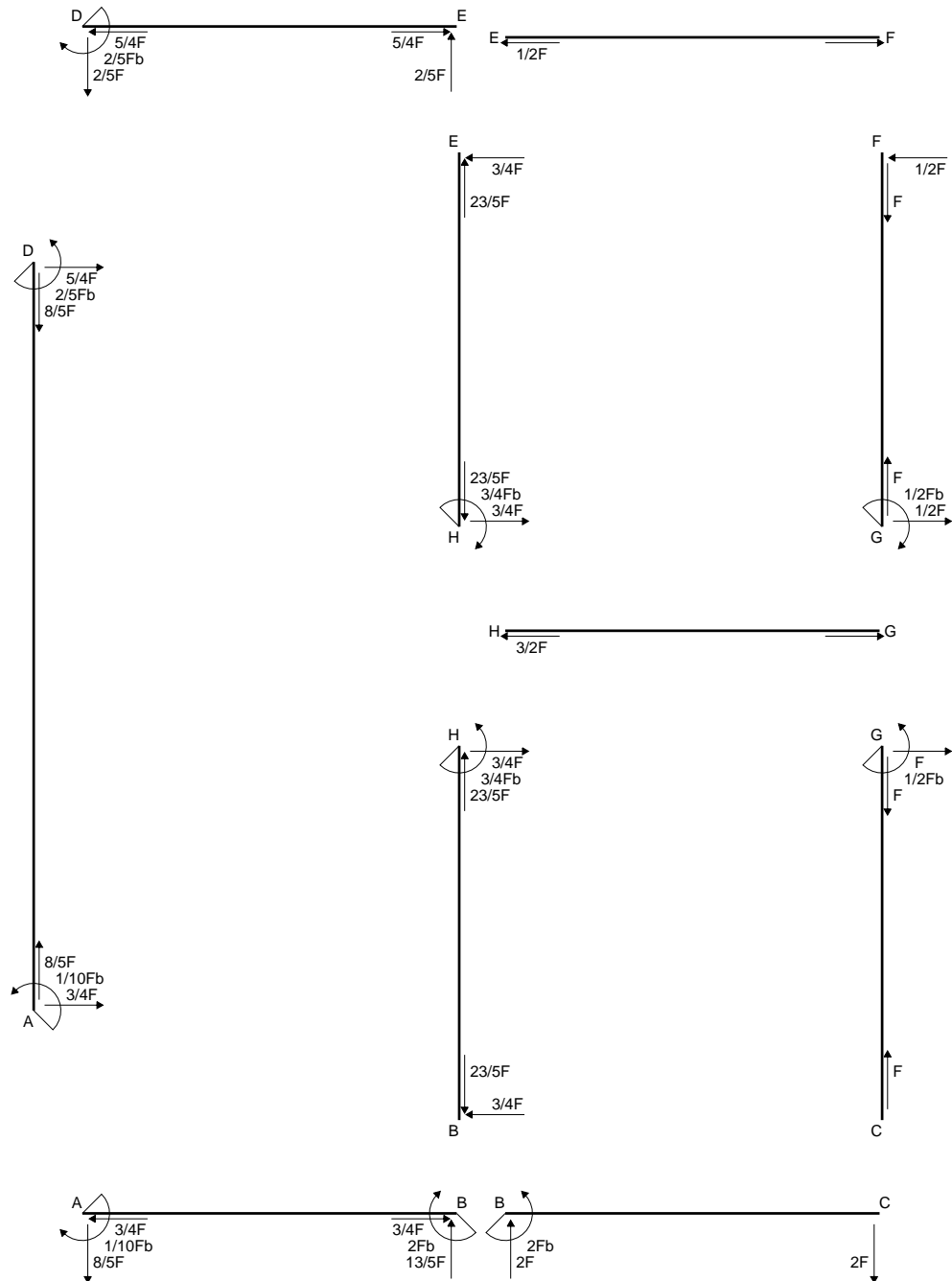
$$= (b - 5/2 b + 4/3 b) \cdot Fb \cdot 1/EJ = -1/6 \cdot Fb^2/EJ$$

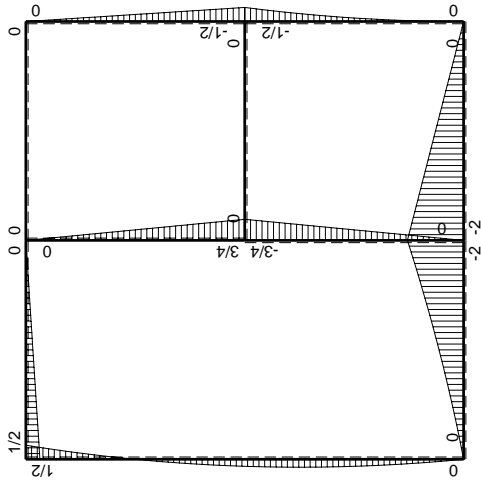
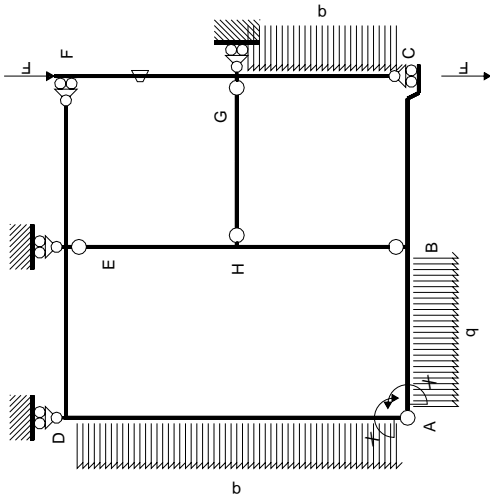
$$L_{DE}^{xo} = \int_0^b (1/2 - x/b + 1/2 x^2/b^2) \cdot Fb \cdot 1/EJ \, dx = \left[1/2 x - 1/2 x^2/b + 1/6 x^3/b^2 \right]_0^b \cdot Fb \cdot 1/EJ$$

$$= (1/2 b - 1/2 b + 1/6 b) \cdot Fb \cdot 1/EJ = 1/6 \cdot Fb^2/EJ$$

$$L_{ED}^{xo} = \int_0^b (1/2 x^2/b^2) \cdot Fb \cdot 1/EJ \, dx = \left[1/6 x^3/b^2 \right]_0^b \cdot Fb \cdot 1/EJ$$

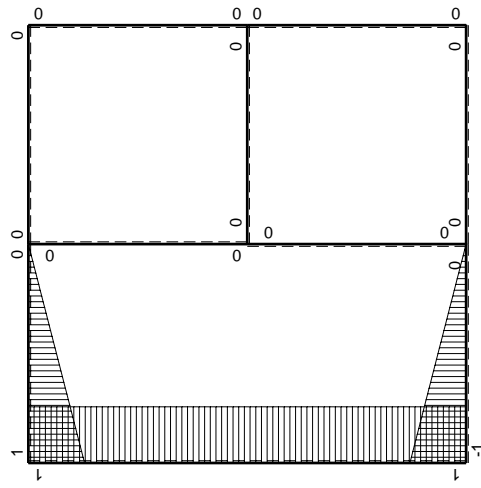
$$= (1/6 b) \cdot Fb \cdot 1/EJ = 1/6 \cdot Fb^2/EJ$$





Schema di calcolo iperstatico

M_0 flessione da carichi assegnati



M_x flessione da iperstatica $X=1$

Quadro contributi PLV per iperstatica $X=W_{AB}$

→	$M_x(x)$	$M_o(x)$	θ	$M_x M_o$	$M_x \theta$	$M_x M_x$	$\int M_x(M_o/EJ+\theta)dx$	$\int X M_x M_x/EJdx$
AB b	$-1+x/b$	$-3/2Fx-1/2qx^2$	0	$3/2Fx-Fx^2/b-1/2qx^3/b$	0	$1-2x/b+x^2/b^2$	$(7/24+0)Fb^2/EJ$	$1/3Xb/EJ$
BA b	x/b	$2Fb-5/2Fx+1/2qx^2$	0	$2Fx-5/2Fx^2/b+1/2qx^3/b$	0	x^2/b^2		
BC b	0	$-2Fb+2Fx$	0	0	0	0	0+0	0
CB b	0	$2Fx$	0	0	0	0		
AD 2b	1	$-3/4Fx+1/2qx^2$	0	$-3/4Fx+1/2Fx^2/b$	0	1	$(-1/6+0)Fb^2/EJ$	$2Xb/EJ$
DA 2b	-1	$-1/2Fb+5/4Fx-1/2qx^2$	0	$1/2Fb-5/4Fx+1/2Fx^2/b$	0	1		
DE b	$1-x/b$	$1/2Fb-1/2Fx$	0	$1/2Fb-Fx+1/2Fx^2/b$	0	$1-2x/b+x^2/b^2$	$(1/6+0)Fb^2/EJ$	$1/3Xb/EJ$
ED b	$-x/b$	$-1/2Fx$	0	$1/2Fx^2/b$	0	x^2/b^2		
EF b	0	0	0	0	0	0	0+0	0
FE b	0	0	0	0	0	0		
FG b	0	$-1/2Fx$	$-Fb/EJ$	0	0	0	0+0	0
GF b	0	$1/2Fb-1/2Fx$	Fb/EJ	0	0	0		
GC b	0	$-1/2Fb+Fx-1/2qx^2$	0	0	0	0	0+0	0
CG b	0	$1/2qx^2$	0	0	0	0		
HG b	0	0	0	0	0	0	0+0	0
GH b	0	0	0	0	0	0		
HB b	0	$-3/4Fb+3/4Fx$	0	0	0	0	0+0	0
BH b	0	$3/4Fx$	0	0	0	0		
HE b	0	$3/4Fb-3/4Fx$	0	0	0	0	0+0	0
EH b	0	$-3/4Fx$	0	0	0	0		
AB	molla asta $-W_{1AB}(W_{0AB}+XW_{1AB})/k_{AB}$							$1/4Xb/EJ$
	totali						$7/24Fb^2/EJ$	$35/12Xb/EJ$
	iperstatica $X=W_{AB}$						$-1/10Fb$	

Sviluppi di calcolo iperstatica

$$L_{AB}^{xx} = \int_0^b (1 - 2x/b + x^2/b^2) \cdot 1/EJ \, dx + 1 \cdot 1/4 \cdot b/EJ = \left[x - x^2/b + 1/3 x^3/b^2 \right]_0^b \cdot 1/EJ + 1 \cdot 1/4 \cdot b/EJ$$

$$= (b - b + 1/3 b) \cdot 1/EJ + 1 \cdot 1/4 \cdot b/EJ = 7/12 \cdot b/EJ$$

$$L_{BA}^{xx} = \int_0^b (x^2/b^2) \cdot 1/EJ \, dx + 1 \cdot 1/4 \cdot b/EJ = \left[1/3 x^3/b^2 \right]_0^b \cdot 1/EJ + 1 \cdot 1/4 \cdot b/EJ$$

$$= (1/3 b) \cdot 1/EJ + 1 \cdot 1/4 \cdot b/EJ = 7/12 \cdot b/EJ$$

$$L_{AD}^{xx} = \int_0^{2b} (1) \cdot 1/EJ \, dx = \left[x \right]_0^{2b} \cdot 1/EJ$$

$$= (2b) \cdot 1/EJ = 2 \cdot b/EJ$$

$$L_{DA}^{xx} = \int_0^{2b} (1) \cdot 1/EJ \, dx = \left[x \right]_0^{2b} \cdot 1/EJ$$

$$= (2b) \cdot 1/EJ = 2 \cdot b/EJ$$

$$L_{DE}^{xx} = \int_0^b (1 - 2x/b + x^2/b^2) \cdot 1/EJ \, dx = \left[x - x^2/b + 1/3 x^3/b^2 \right]_0^b \cdot 1/EJ$$

$$= (b - b + 1/3 b) \cdot 1/EJ = 1/3 \cdot b/EJ$$

$$L_{ED}^{xx} = \int_0^b (x^2/b^2) \cdot 1/EJ \, dx = \left[1/3 x^3/b^2 \right]_0^b \cdot 1/EJ$$

$$= (1/3 b) \cdot 1/EJ = 1/3 \cdot b/EJ$$

$$L_{AB}^{xo} = \int_0^b (3/2 x/b - x^2/b^2 - 1/2 x^3/b^3) \cdot Fb \cdot 1/EJ \, dx + 1 \cdot 0 \cdot 1/4 \cdot Fb^2/EJ$$

$$= \left[3/4 x^2/b - 1/3 x^3/b^2 - 1/8 x^4/b^3 \right]_0^b \cdot Fb \cdot 1/EJ + 1 \cdot 0 \cdot 1/4 \cdot Fb^2/EJ$$

$$= (3/4 b - 1/3 b - 1/8 b) \cdot Fb \cdot 1/EJ + 1 \cdot 0 \cdot 1/4 \cdot Fb^2/EJ = 7/24 \cdot Fb^2/EJ$$

$$L_{BA}^{xo} = \int_0^b (2x/b - 5/2 x^2/b^2 + 1/2 x^3/b^3) \cdot Fb \cdot 1/EJ \, dx + 1 \cdot 0 \cdot 1/4 \cdot Fb^2/EJ$$

$$= \left[x^2/b - 5/6 x^3/b^2 + 1/8 x^4/b^3 \right]_0^b \cdot Fb \cdot 1/EJ + 1 \cdot 0 \cdot 1/4 \cdot Fb^2/EJ$$

$$= (b - 5/6 b + 1/8 b) \cdot Fb \cdot 1/EJ + 1 \cdot 0 \cdot 1/4 \cdot Fb^2/EJ = 7/24 \cdot Fb^2/EJ$$

$$L_{AD}^{xo} = \int_0^{2b} (-3/4 x/b + 1/2 x^2/b^2) \cdot Fb \cdot 1/EJ \, dx = \left[-3/8 x^2/b + 1/6 x^3/b^2 \right]_0^{2b} \cdot Fb \cdot 1/EJ$$

$$= (-3/2 b + 4/3 b) \cdot Fb \cdot 1/EJ = -1/6 \cdot Fb^2/EJ$$

$$L_{DA}^{xo} = \int_0^{2b} (1/2 - 5/4 x/b + 1/2 x^2/b^2) \cdot Fb \cdot 1/EJ \, dx = \left[1/2 x - 5/8 x^2/b + 1/6 x^3/b^2 \right]_0^{2b} \cdot Fb \cdot 1/EJ$$

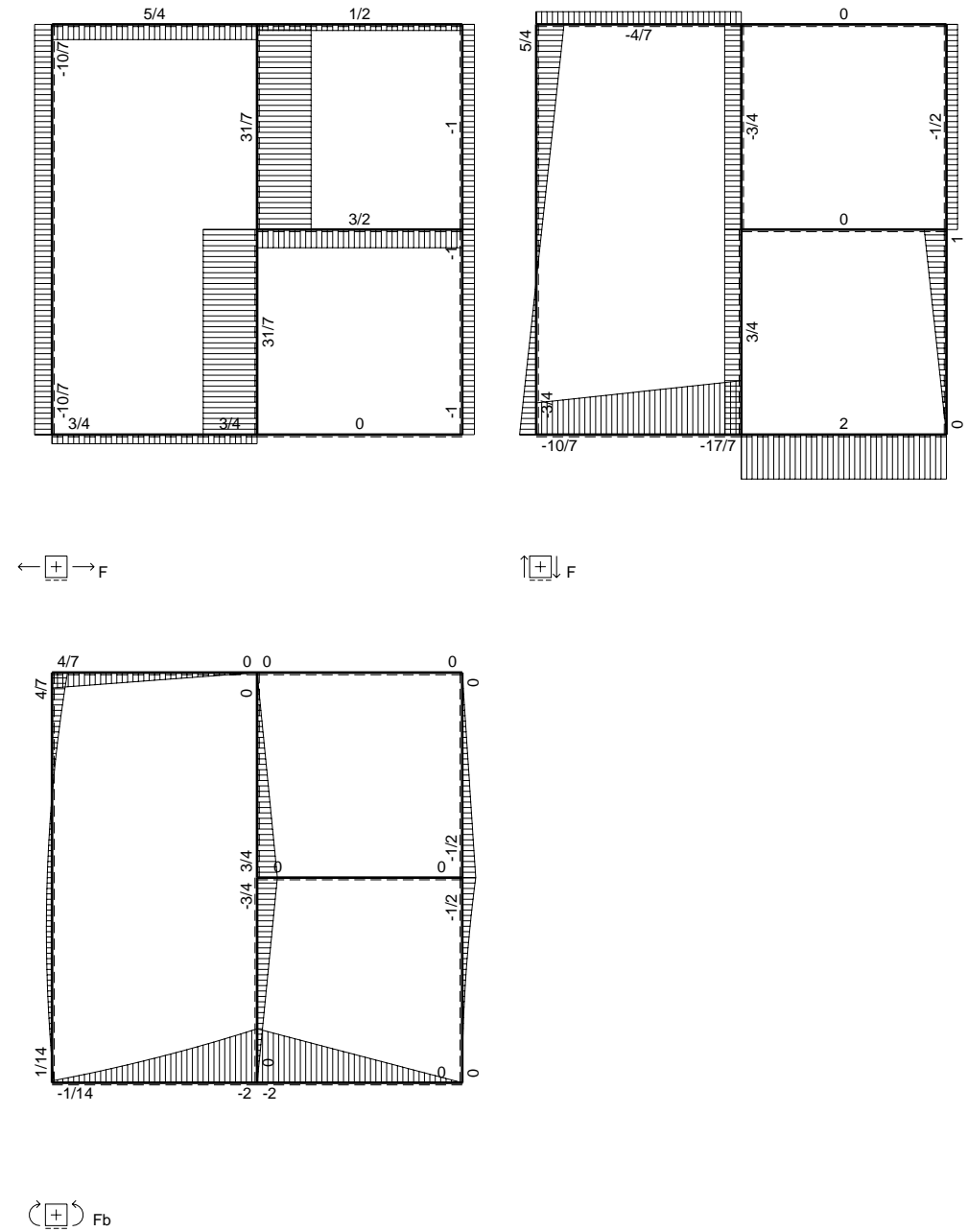
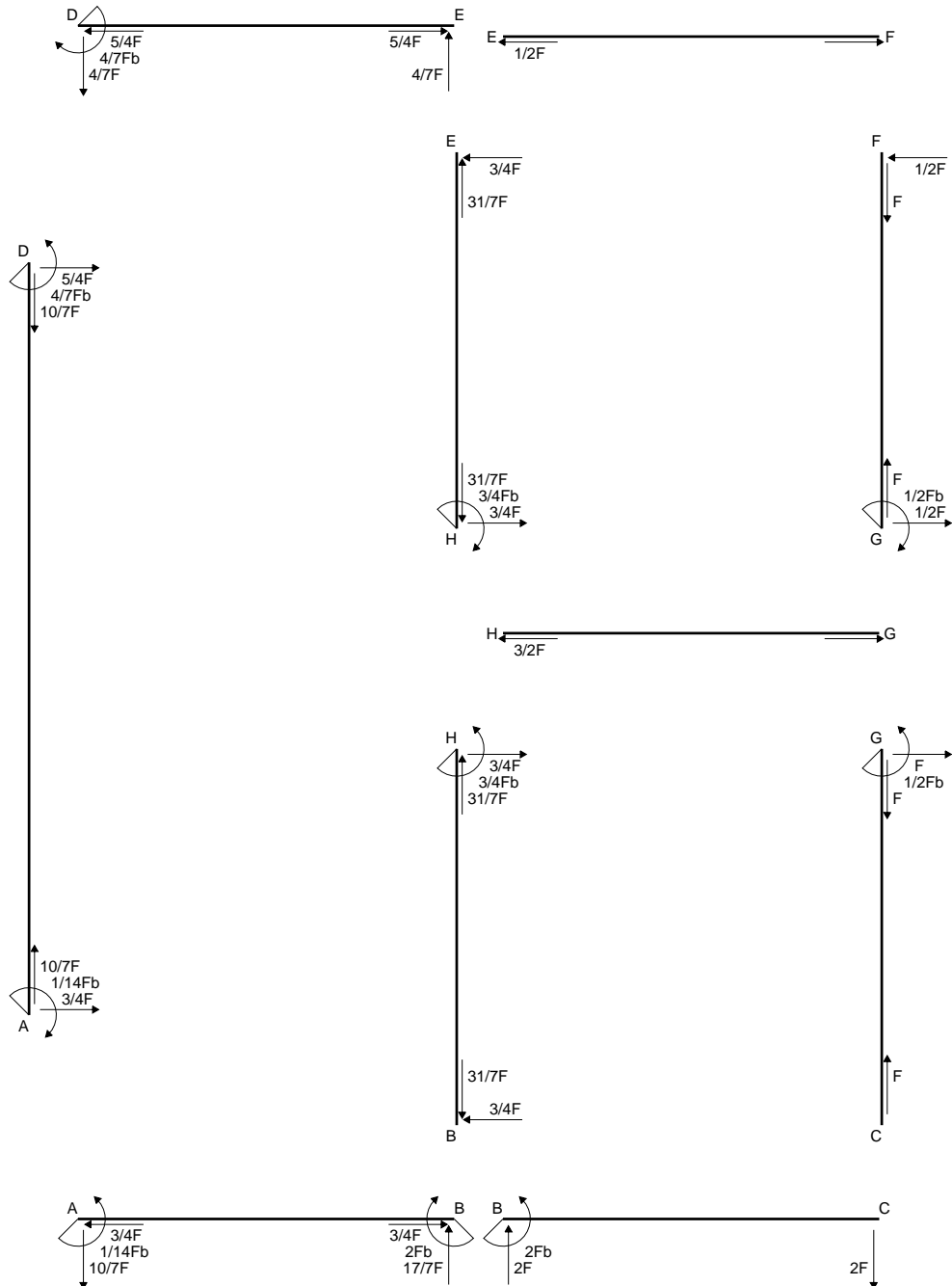
$$= (b - 5/2 b + 4/3 b) \cdot Fb \cdot 1/EJ = -1/6 \cdot Fb^2/EJ$$

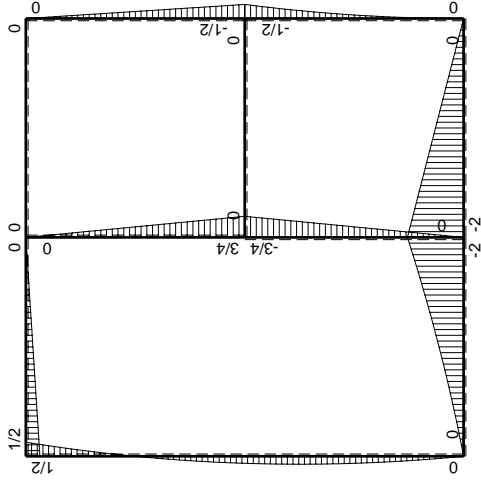
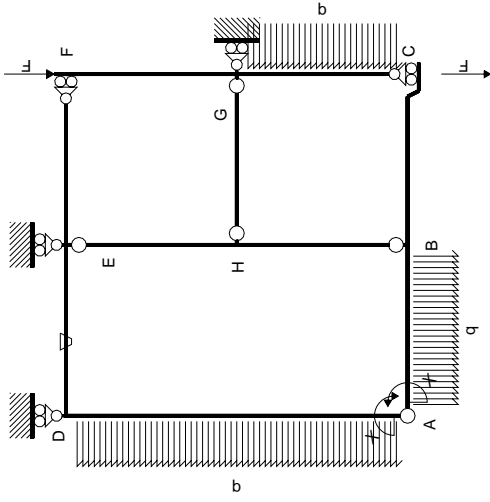
$$L_{DE}^{xo} = \int_0^b (1/2 - x/b + 1/2 x^2/b^2) \cdot Fb \cdot 1/EJ \, dx = \left[1/2 x - 1/2 x^2/b + 1/6 x^3/b^2 \right]_0^b \cdot Fb \cdot 1/EJ$$

$$= (1/2 b - 1/2 b + 1/6 b) \cdot Fb \cdot 1/EJ = 1/6 \cdot Fb^2/EJ$$

$$L_{ED}^{xo} = \int_0^b (1/2 x^2/b^2) \cdot Fb \cdot 1/EJ \, dx = \left[1/6 x^3/b^2 \right]_0^b \cdot Fb \cdot 1/EJ$$

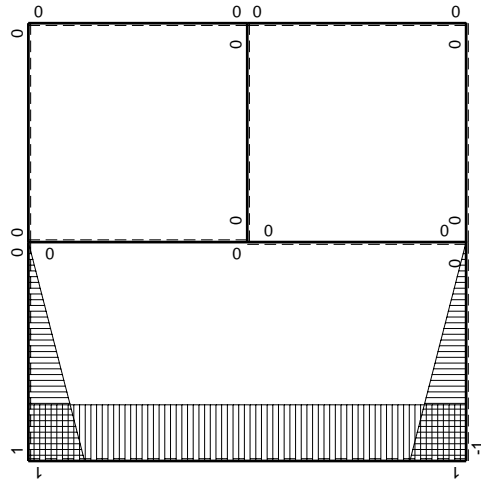
$$= (1/6 b) \cdot Fb \cdot 1/EJ = 1/6 \cdot Fb^2/EJ$$





Schema di calcolo iperstatico

M_0 flessione da carichi assegnati



M_x flessione da iperstatica $\lambda=1$

Quadro contributi PLV per iperstatica $X=W_{AB}$

→	$M_x(x)$	$M_o(x)$	θ	$M_x M_o$	$M_x \theta$	$M_x M_x$	$\int M_x(M_o/EJ+\theta)dx$	$\int X M_x M_x/EJ dx$	
AB b	$-1+x/b$	$-3/2Fx-1/2qx^2$	0	$3/2Fx-Fx^2/b-1/2qx^3/b$	0	$1-2x/b+x^2/b^2$	$(7/24+0)Fb^2/EJ$	$1/3Xb/EJ$	
BA b	x/b	$2Fb-5/2Fx+1/2qx^2$	0	$2Fx-5/2Fx^2/b+1/2qx^3/b$	0	x^2/b^2			
BC b	0	$-2Fb+2Fx$	0	0	0	0	0+0	0	
CB b	0	$2Fx$	0	0	0	0			
AD 2b	1	$-3/4Fx+1/2qx^2$	0	$-3/4Fx+1/2Fx^2/b$	0	1	$(-1/6+0)Fb^2/EJ$	$2Xb/EJ$	
DA 2b	-1	$-1/2Fb+5/4Fx-1/2qx^2$	0	$1/2Fb-5/4Fx+1/2Fx^2/b$	0	1			
DE b	$1-x/b$	$1/2Fb-1/2Fx$	$-Fb/EJ$	$1/2Fb-Fx+1/2Fx^2/b$	$-Fb/EJ+Fx/EJ$	$1-2x/b+x^2/b^2$	$(1/6-1/2)Fb^2/EJ$	$1/3Xb/EJ$	
ED b	$-x/b$	$-1/2Fx$	Fb/EJ	$1/2Fx^2/b$	$-Fx/EJ$	x^2/b^2			
EF b	0	0	0	0	0	0	0+0	0	
FE b	0	0	0	0	0	0			
FG b	0	$-1/2Fx$	0	0	0	0	0+0	0	
GF b	0	$1/2Fb-1/2Fx$	0	0	0	0			
GC b	0	$-1/2Fb+Fx-1/2qx^2$	0	0	0	0	0+0	0	
CG b	0	$1/2qx^2$	0	0	0	0			
HG b	0	0	0	0	0	0	0+0	0	
GH b	0	0	0	0	0	0			
HB b	0	$-3/4Fb+3/4Fx$	0	0	0	0	0+0	0	
BH b	0	$3/4Fx$	0	0	0	0			
HE b	0	$3/4Fb-3/4Fx$	0	0	0	0	0+0	0	
EH b	0	$-3/4Fx$	0	0	0	0			
AB	molla asta $-W_{1AB}(W_{0AB}+XW_{1AB})/k_{AB}$								$1/4Xb/EJ$
	totali							$-5/24Fb^2/EJ$	$35/12Xb/EJ$
	iperstatica $X=W_{AB}$							$1/14Fb$	

Sviluppi di calcolo iperstatica

$$L_{AB}^{xx} = \int_0^b (1 - 2x/b + x^2/b^2) \cdot 1/EJ \, dx + 1 \cdot 1/4 \cdot b/EJ = \left[x - x^2/b + 1/3 x^3/b^2 \right]_0^b \cdot 1/EJ + 1 \cdot 1/4 \cdot b/EJ$$

$$= (b - b + 1/3 b) \cdot 1/EJ + 1 \cdot 1/4 \cdot b/EJ = 7/12 \cdot b/EJ$$

$$L_{BA}^{xx} = \int_0^b (x^2/b^2) \cdot 1/EJ \, dx + 1 \cdot 1/4 \cdot b/EJ = \left[1/3 x^3/b^2 \right]_0^b \cdot 1/EJ + 1 \cdot 1/4 \cdot b/EJ$$

$$= (1/3 b) \cdot 1/EJ + 1 \cdot 1/4 \cdot b/EJ = 7/12 \cdot b/EJ$$

$$L_{AD}^{xx} = \int_0^{2b} (1) \cdot 1/EJ \, dx = \left[x \right]_0^{2b} \cdot 1/EJ$$

$$= (2b) \cdot 1/EJ = 2 \cdot b/EJ$$

$$L_{DA}^{xx} = \int_0^{2b} (1) \cdot 1/EJ \, dx = \left[x \right]_0^{2b} \cdot 1/EJ$$

$$= (2b) \cdot 1/EJ = 2 \cdot b/EJ$$

$$L_{DE}^{xx} = \int_0^b (1 - 2x/b + x^2/b^2) \cdot 1/EJ \, dx = \left[x - x^2/b + 1/3 x^3/b^2 \right]_0^b \cdot 1/EJ$$

$$= (b - b + 1/3 b) \cdot 1/EJ = 1/3 \cdot b/EJ$$

$$L_{ED}^{xx} = \int_0^b (x^2/b^2) \cdot 1/EJ \, dx = \left[1/3 x^3/b^2 \right]_0^b \cdot 1/EJ$$

$$= (1/3 b) \cdot 1/EJ = 1/3 \cdot b/EJ$$

$$L_{AB}^{xo} = \int_0^b (3/2 x/b - x^2/b^2 - 1/2 x^3/b^3) \cdot Fb \cdot 1/EJ \, dx + 1 \cdot 0 \cdot 1/4 \cdot Fb^2/EJ$$

$$= \left[3/4 x^2/b - 1/3 x^3/b^2 - 1/8 x^4/b^3 \right]_0^b \cdot Fb \cdot 1/EJ + 1 \cdot 0 \cdot 1/4 \cdot Fb^2/EJ$$

$$= (3/4 b - 1/3 b - 1/8 b) \cdot Fb \cdot 1/EJ + 1 \cdot 0 \cdot 1/4 \cdot Fb^2/EJ = 7/24 \cdot Fb^2/EJ$$

$$L_{BA}^{xo} = \int_0^b (2x/b - 5/2 x^2/b^2 + 1/2 x^3/b^3) \cdot Fb \cdot 1/EJ \, dx + 1 \cdot 0 \cdot 1/4 \cdot Fb^2/EJ$$

$$= \left[x^2/b - 5/6 x^3/b^2 + 1/8 x^4/b^3 \right]_0^b \cdot Fb \cdot 1/EJ + 1 \cdot 0 \cdot 1/4 \cdot Fb^2/EJ$$

$$= (b - 5/6 b + 1/8 b) \cdot Fb \cdot 1/EJ + 1 \cdot 0 \cdot 1/4 \cdot Fb^2/EJ = 7/24 \cdot Fb^2/EJ$$

$$L_{AD}^{xo} = \int_0^{2b} (-3/4 x/b + 1/2 x^2/b^2) \cdot Fb \cdot 1/EJ \, dx = \left[-3/8 x^2/b + 1/6 x^3/b^2 \right]_0^{2b} \cdot Fb \cdot 1/EJ$$

$$= (-3/2 b + 4/3 b) \cdot Fb \cdot 1/EJ = -1/6 \cdot Fb^2/EJ$$

$$L_{DA}^{xo} = \int_0^{2b} (1/2 - 5/4 x/b + 1/2 x^2/b^2) \cdot Fb \cdot 1/EJ \, dx = \left[1/2 x - 5/8 x^2/b + 1/6 x^3/b^2 \right]_0^{2b} \cdot Fb \cdot 1/EJ$$

$$= (b - 5/2 b + 4/3 b) \cdot Fb \cdot 1/EJ = -1/6 \cdot Fb^2/EJ$$

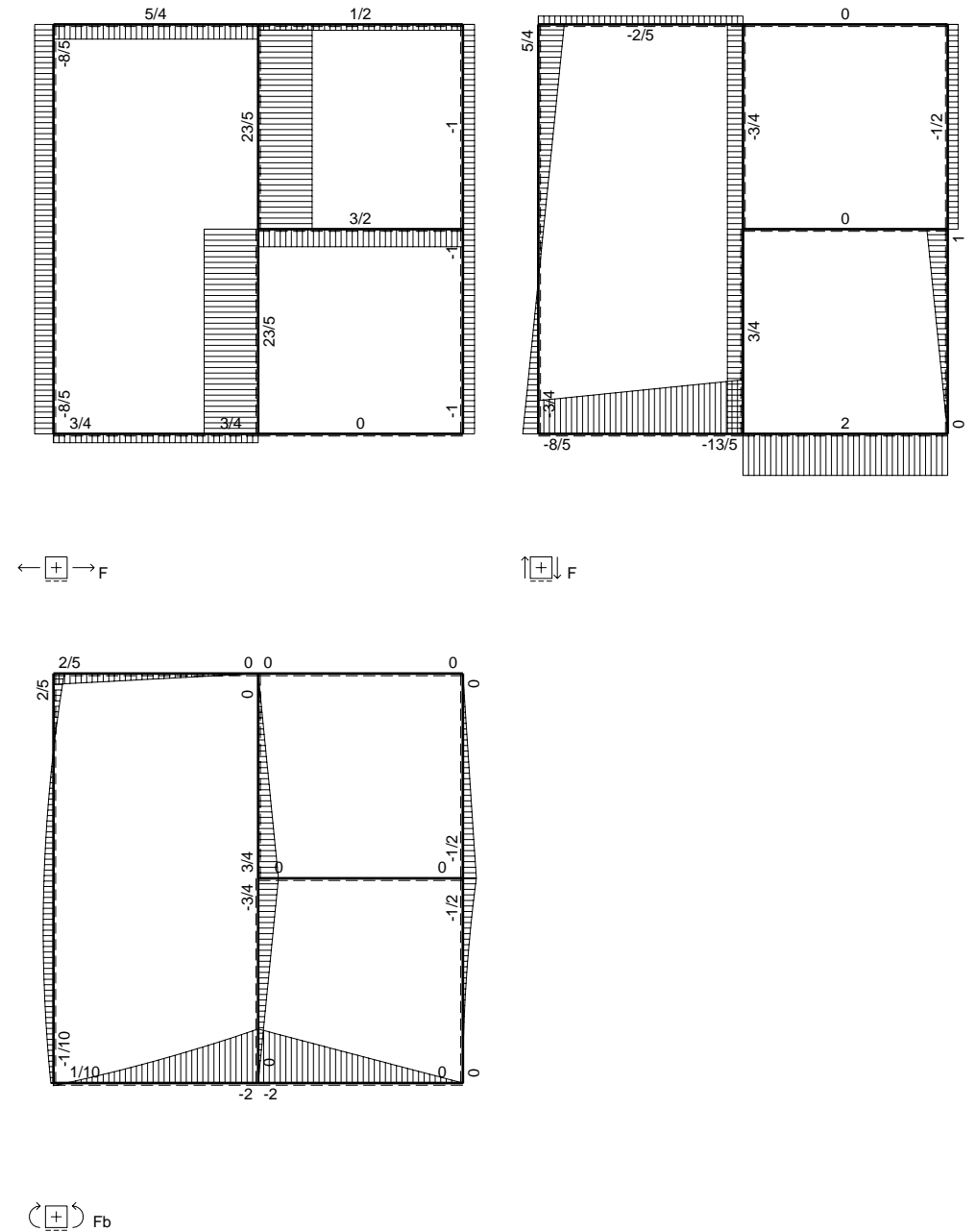
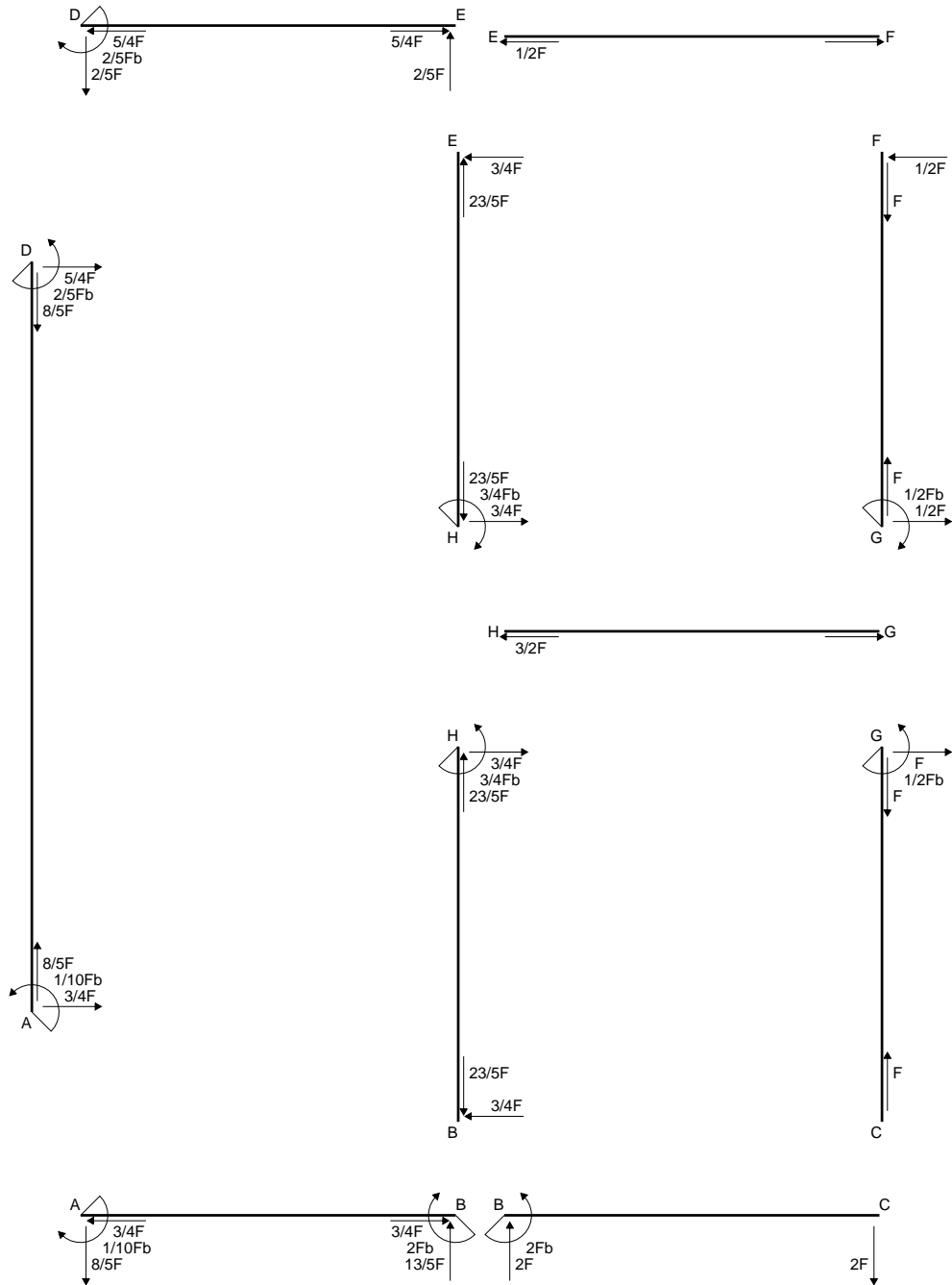
$$L_{DE}^{xo} = \int_0^b (1/2 - x/b + 1/2 x^2/b^2) \cdot Fb \cdot 1/EJ \, dx + \int_0^b (-1 + x/b) \cdot \theta \, dx$$

$$= \left[1/2 x - 1/2 x^2/b + 1/6 x^3/b^2 \right]_0^b \cdot Fb \cdot 1/EJ + \left[-x + 1/2 x^2/b \right]_0^b \cdot \theta$$

$$= (1/2 b - 1/2 b + 1/6 b) \cdot Fb \cdot 1/EJ + (-b + 1/2 b) \cdot \theta = -1/3 \cdot Fb^2/EJ$$

$$L_{ED}^{xo} = \int_0^b (1/2 x^2/b^2) \cdot Fb \cdot 1/EJ \, dx + \int_0^b (x/b) \cdot \theta \, dx = \left[1/6 x^3/b^2 \right]_0^b \cdot Fb \cdot 1/EJ + \left[1/2 x^2/b \right]_0^b \cdot \theta$$

$$= (1/6 b) \cdot Fb \cdot 1/EJ + (1/2 b) \cdot \theta = -1/3 \cdot Fb^2/EJ$$



Quadro contributi PLV per iperstatica $X=W_{AB}$

→	$M_x(x)$	$M_o(x)$	θ	$M_x M_o$	$M_x \theta$	$M_x M_x$	$\int M_x(M_o/EJ+\theta)dx$	$\int X M_x M_x/EJ dx$
AB b	$-1+x/b$	$-3/2Fx-1/2qx^2$	0	$3/2Fx-Fx^2/b-1/2qx^3/b$	0	$1-2x/b+x^2/b^2$	$(7/24+0)Fb^2/EJ$	$1/3Xb/EJ$
BA b	x/b	$2Fb-5/2Fx+1/2qx^2$	0	$2Fx-5/2Fx^2/b+1/2qx^3/b$	0	x^2/b^2		
BC b	0	$-2Fb+2Fx$	0	0	0	0	0+0	0
CB b	0	$2Fx$	0	0	0	0		
AD 2b	1	$-3/4Fx+1/2qx^2$	0	$-3/4Fx+1/2Fx^2/b$	0	1	$(-1/6+0)Fb^2/EJ$	$2Xb/EJ$
DA 2b	-1	$-1/2Fb+5/4Fx-1/2qx^2$	0	$1/2Fb-5/4Fx+1/2Fx^2/b$	0	1		
DE b	$1-x/b$	$1/2Fb-1/2Fx$	0	$1/2Fb-Fx+1/2Fx^2/b$	0	$1-2x/b+x^2/b^2$	$(1/6+0)Fb^2/EJ$	$1/3Xb/EJ$
ED b	$-x/b$	$-1/2Fx$	0	$1/2Fx^2/b$	0	x^2/b^2		
EF b	0	0	0	0	0	0	0+0	0
FE b	0	0	0	0	0	0		
FG b	0	$-1/2Fx$	0	0	0	0	0+0	0
GF b	0	$1/2Fb-1/2Fx$	0	0	0	0		
GC b	0	$-1/2Fb+Fx-1/2qx^2$	0	0	0	0	0+0	0
CG b	0	$1/2qx^2$	0	0	0	0		
HG b	0	0	0	0	0	0	0+0	0
GH b	0	0	0	0	0	0		
HB b	0	$-3/4Fb+3/4Fx$	$-Fb/EJ$	0	0	0	0+0	0
BH b	0	$3/4Fx$	Fb/EJ	0	0	0		
HE b	0	$3/4Fb-3/4Fx$	0	0	0	0	0+0	0
EH b	0	$-3/4Fx$	0	0	0	0		
AB	molla asta $-W_{1AB}(W_{0AB}+XW_{1AB})/k_{AB}$							$1/4Xb/EJ$
	totali						$7/24Fb^2/EJ$	$35/12Xb/EJ$
	iperstatica $X=W_{AB}$						$-1/10Fb$	

Sviluppi di calcolo iperstatica

$$L_{AB}^{xx} = \int_0^b (1 - 2x/b + x^2/b^2) \cdot 1/EJ \, dx + 1 \cdot 1/4 \cdot b/EJ = \left[x - x^2/b + 1/3 x^3/b^2 \right]_0^b \cdot 1/EJ + 1 \cdot 1/4 \cdot b/EJ$$

$$= (b - b + 1/3 b) \cdot 1/EJ + 1 \cdot 1/4 \cdot b/EJ = 7/12 \cdot b/EJ$$

$$L_{BA}^{xx} = \int_0^b (x^2/b^2) \cdot 1/EJ \, dx + 1 \cdot 1/4 \cdot b/EJ = \left[1/3 x^3/b^2 \right]_0^b \cdot 1/EJ + 1 \cdot 1/4 \cdot b/EJ$$

$$= (1/3 b) \cdot 1/EJ + 1 \cdot 1/4 \cdot b/EJ = 7/12 \cdot b/EJ$$

$$L_{AD}^{xx} = \int_0^{2b} (1) \cdot 1/EJ \, dx = \left[x \right]_0^{2b} \cdot 1/EJ$$

$$= (2b) \cdot 1/EJ = 2 \cdot b/EJ$$

$$L_{DA}^{xx} = \int_0^{2b} (1) \cdot 1/EJ \, dx = \left[x \right]_0^{2b} \cdot 1/EJ$$

$$= (2b) \cdot 1/EJ = 2 \cdot b/EJ$$

$$L_{DE}^{xx} = \int_0^b (1 - 2x/b + x^2/b^2) \cdot 1/EJ \, dx = \left[x - x^2/b + 1/3 x^3/b^2 \right]_0^b \cdot 1/EJ$$

$$= (b - b + 1/3 b) \cdot 1/EJ = 1/3 \cdot b/EJ$$

$$L_{ED}^{xx} = \int_0^b (x^2/b^2) \cdot 1/EJ \, dx = \left[1/3 x^3/b^2 \right]_0^b \cdot 1/EJ$$

$$= (1/3 b) \cdot 1/EJ = 1/3 \cdot b/EJ$$

$$L_{AB}^{xo} = \int_0^b (3/2 x/b - x^2/b^2 - 1/2 x^3/b^3) \cdot Fb \cdot 1/EJ \, dx + 1 \cdot 0 \cdot 1/4 \cdot Fb^2/EJ$$

$$= \left[3/4 x^2/b - 1/3 x^3/b^2 - 1/8 x^4/b^3 \right]_0^b \cdot Fb \cdot 1/EJ + 1 \cdot 0 \cdot 1/4 \cdot Fb^2/EJ$$

$$= (3/4 b - 1/3 b - 1/8 b) \cdot Fb \cdot 1/EJ + 1 \cdot 0 \cdot 1/4 \cdot Fb^2/EJ = 7/24 \cdot Fb^2/EJ$$

$$L_{BA}^{xo} = \int_0^b (2x/b - 5/2 x^2/b^2 + 1/2 x^3/b^3) \cdot Fb \cdot 1/EJ \, dx + 1 \cdot 0 \cdot 1/4 \cdot Fb^2/EJ$$

$$= \left[x^2/b - 5/6 x^3/b^2 + 1/8 x^4/b^3 \right]_0^b \cdot Fb \cdot 1/EJ + 1 \cdot 0 \cdot 1/4 \cdot Fb^2/EJ$$

$$= (b - 5/6 b + 1/8 b) \cdot Fb \cdot 1/EJ + 1 \cdot 0 \cdot 1/4 \cdot Fb^2/EJ = 7/24 \cdot Fb^2/EJ$$

$$L_{AD}^{xo} = \int_0^{2b} (-3/4 x/b + 1/2 x^2/b^2) \cdot Fb \cdot 1/EJ \, dx = \left[-3/8 x^2/b + 1/6 x^3/b^2 \right]_0^{2b} \cdot Fb \cdot 1/EJ$$

$$= (-3/2 b + 4/3 b) \cdot Fb \cdot 1/EJ = -1/6 \cdot Fb^2/EJ$$

$$L_{DA}^{xo} = \int_0^{2b} (1/2 - 5/4 x/b + 1/2 x^2/b^2) \cdot Fb \cdot 1/EJ \, dx = \left[1/2 x - 5/8 x^2/b + 1/6 x^3/b^2 \right]_0^{2b} \cdot Fb \cdot 1/EJ$$

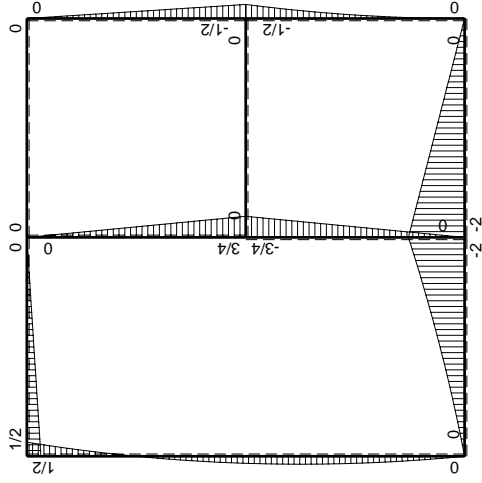
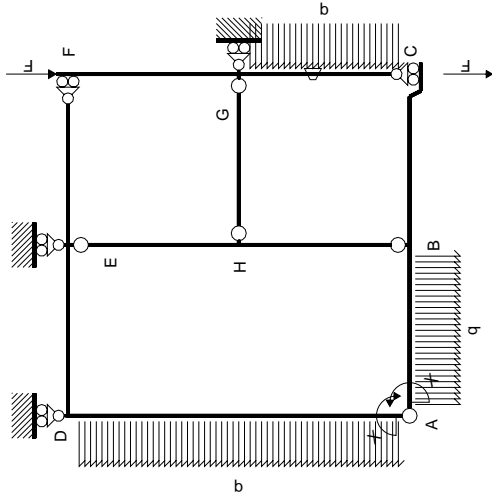
$$= (b - 5/2 b + 4/3 b) \cdot Fb \cdot 1/EJ = -1/6 \cdot Fb^2/EJ$$

$$L_{DE}^{xo} = \int_0^b (1/2 - x/b + 1/2 x^2/b^2) \cdot Fb \cdot 1/EJ \, dx = \left[1/2 x - 1/2 x^2/b + 1/6 x^3/b^2 \right]_0^b \cdot Fb \cdot 1/EJ$$

$$= (1/2 b - 1/2 b + 1/6 b) \cdot Fb \cdot 1/EJ = 1/6 \cdot Fb^2/EJ$$

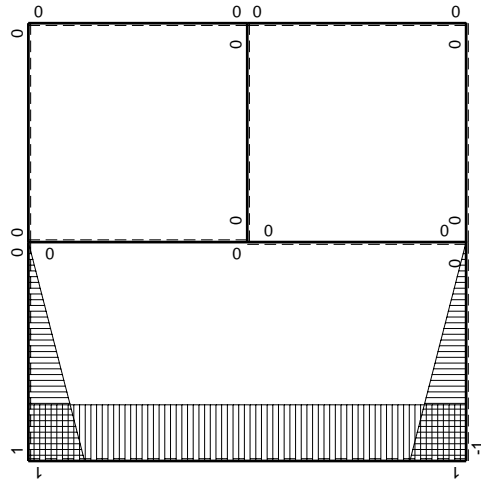
$$L_{ED}^{xo} = \int_0^b (1/2 x^2/b^2) \cdot Fb \cdot 1/EJ \, dx = \left[1/6 x^3/b^2 \right]_0^b \cdot Fb \cdot 1/EJ$$

$$= (1/6 b) \cdot Fb \cdot 1/EJ = 1/6 \cdot Fb^2/EJ$$



Schema di calcolo iperstatico

M_0 flessione da carichi assegnati



M_x flessione da iperstatica $X=1$

Quadro contributi PLV per iperstatica $X=W_{AB}$

→	$M_x(x)$	$M_o(x)$	θ	$M_x M_o$	$M_x \theta$	$M_x M_x$	$\int M_x(M_o/EJ+\theta)dx$	$\int X M_x M_x/EJdx$
AB b	$-1+x/b$	$-3/2Fx-1/2qx^2$	0	$3/2Fx-Fx^2/b-1/2qx^3/b$	0	$1-2x/b+x^2/b^2$	$(7/24+0)Fb^2/EJ$	$1/3Xb/EJ$
BA b	x/b	$2Fb-5/2Fx+1/2qx^2$	0	$2Fx-5/2Fx^2/b+1/2qx^3/b$	0	x^2/b^2		
BC b	0	$-2Fb+2Fx$	0	0	0	0	0+0	0
CB b	0	$2Fx$	0	0	0	0		
AD 2b	1	$-3/4Fx+1/2qx^2$	0	$-3/4Fx+1/2Fx^2/b$	0	1	$(-1/6+0)Fb^2/EJ$	$2Xb/EJ$
DA 2b	-1	$-1/2Fb+5/4Fx-1/2qx^2$	0	$1/2Fb-5/4Fx+1/2Fx^2/b$	0	1		
DE b	$1-x/b$	$1/2Fb-1/2Fx$	0	$1/2Fb-Fx+1/2Fx^2/b$	0	$1-2x/b+x^2/b^2$	$(1/6+0)Fb^2/EJ$	$1/3Xb/EJ$
ED b	$-x/b$	$-1/2Fx$	0	$1/2Fx^2/b$	0	x^2/b^2		
EF b	0	0	0	0	0	0	0+0	0
FE b	0	0	0	0	0	0		
FG b	0	$-1/2Fx$	0	0	0	0	0+0	0
GF b	0	$1/2Fb-1/2Fx$	0	0	0	0		
GC b	0	$-1/2Fb+Fx-1/2qx^2$	$-Fb/EJ$	0	0	0	0+0	0
CG b	0	$1/2qx^2$	Fb/EJ	0	0	0		
HG b	0	0	0	0	0	0	0+0	0
GH b	0	0	0	0	0	0		
HB b	0	$-3/4Fb+3/4Fx$	0	0	0	0	0+0	0
BH b	0	$3/4Fx$	0	0	0	0		
HE b	0	$3/4Fb-3/4Fx$	0	0	0	0	0+0	0
EH b	0	$-3/4Fx$	0	0	0	0		
AB	molla asta $-W_{1AB}(W_{0AB}+XW_{1AB})/k_{AB}$							$1/4Xb/EJ$
	totali						$7/24Fb^2/EJ$	$35/12Xb/EJ$
	iperstatica $X=W_{AB}$						$-1/10Fb$	

Sviluppi di calcolo iperstatica

$$L_{AB}^{xx} = \int_0^b (1 - 2x/b + x^2/b^2) \cdot 1/EJ \, dx + 1 \cdot 1/4 \cdot b/EJ = \left[x - x^2/b + 1/3 x^3/b^2 \right]_0^b \cdot 1/EJ + 1 \cdot 1/4 \cdot b/EJ$$

$$= (b - b + 1/3 b) \cdot 1/EJ + 1 \cdot 1/4 \cdot b/EJ = 7/12 \cdot b/EJ$$

$$L_{BA}^{xx} = \int_0^b (x^2/b^2) \cdot 1/EJ \, dx + 1 \cdot 1/4 \cdot b/EJ = \left[1/3 x^3/b^2 \right]_0^b \cdot 1/EJ + 1 \cdot 1/4 \cdot b/EJ$$

$$= (1/3 b) \cdot 1/EJ + 1 \cdot 1/4 \cdot b/EJ = 7/12 \cdot b/EJ$$

$$L_{AD}^{xx} = \int_0^{2b} (1) \cdot 1/EJ \, dx = \left[x \right]_0^{2b} \cdot 1/EJ$$

$$= (2b) \cdot 1/EJ = 2 \cdot b/EJ$$

$$L_{DA}^{xx} = \int_0^{2b} (1) \cdot 1/EJ \, dx = \left[x \right]_0^{2b} \cdot 1/EJ$$

$$= (2b) \cdot 1/EJ = 2 \cdot b/EJ$$

$$L_{DE}^{xx} = \int_0^b (1 - 2x/b + x^2/b^2) \cdot 1/EJ \, dx = \left[x - x^2/b + 1/3 x^3/b^2 \right]_0^b \cdot 1/EJ$$

$$= (b - b + 1/3 b) \cdot 1/EJ = 1/3 \cdot b/EJ$$

$$L_{ED}^{xx} = \int_0^b (x^2/b^2) \cdot 1/EJ \, dx = \left[1/3 x^3/b^2 \right]_0^b \cdot 1/EJ$$

$$= (1/3 b) \cdot 1/EJ = 1/3 \cdot b/EJ$$

$$L_{AB}^{xo} = \int_0^b (3/2 x/b - x^2/b^2 - 1/2 x^3/b^3) \cdot Fb \cdot 1/EJ \, dx + 1 \cdot 0 \cdot 1/4 \cdot Fb^2/EJ$$

$$= \left[3/4 x^2/b - 1/3 x^3/b^2 - 1/8 x^4/b^3 \right]_0^b \cdot Fb \cdot 1/EJ + 1 \cdot 0 \cdot 1/4 \cdot Fb^2/EJ$$

$$= (3/4 b - 1/3 b - 1/8 b) \cdot Fb \cdot 1/EJ + 1 \cdot 0 \cdot 1/4 \cdot Fb^2/EJ = 7/24 \cdot Fb^2/EJ$$

$$L_{BA}^{xo} = \int_0^b (2x/b - 5/2 x^2/b^2 + 1/2 x^3/b^3) \cdot Fb \cdot 1/EJ \, dx + 1 \cdot 0 \cdot 1/4 \cdot Fb^2/EJ$$

$$= \left[x^2/b - 5/6 x^3/b^2 + 1/8 x^4/b^3 \right]_0^b \cdot Fb \cdot 1/EJ + 1 \cdot 0 \cdot 1/4 \cdot Fb^2/EJ$$

$$= (b - 5/6 b + 1/8 b) \cdot Fb \cdot 1/EJ + 1 \cdot 0 \cdot 1/4 \cdot Fb^2/EJ = 7/24 \cdot Fb^2/EJ$$

$$L_{AD}^{xo} = \int_0^{2b} (-3/4 x/b + 1/2 x^2/b^2) \cdot Fb \cdot 1/EJ \, dx = \left[-3/8 x^2/b + 1/6 x^3/b^2 \right]_0^{2b} \cdot Fb \cdot 1/EJ$$

$$= (-3/2 b + 4/3 b) \cdot Fb \cdot 1/EJ = -1/6 \cdot Fb^2/EJ$$

$$L_{DA}^{xo} = \int_0^{2b} (1/2 - 5/4 x/b + 1/2 x^2/b^2) \cdot Fb \cdot 1/EJ \, dx = \left[1/2 x - 5/8 x^2/b + 1/6 x^3/b^2 \right]_0^{2b} \cdot Fb \cdot 1/EJ$$

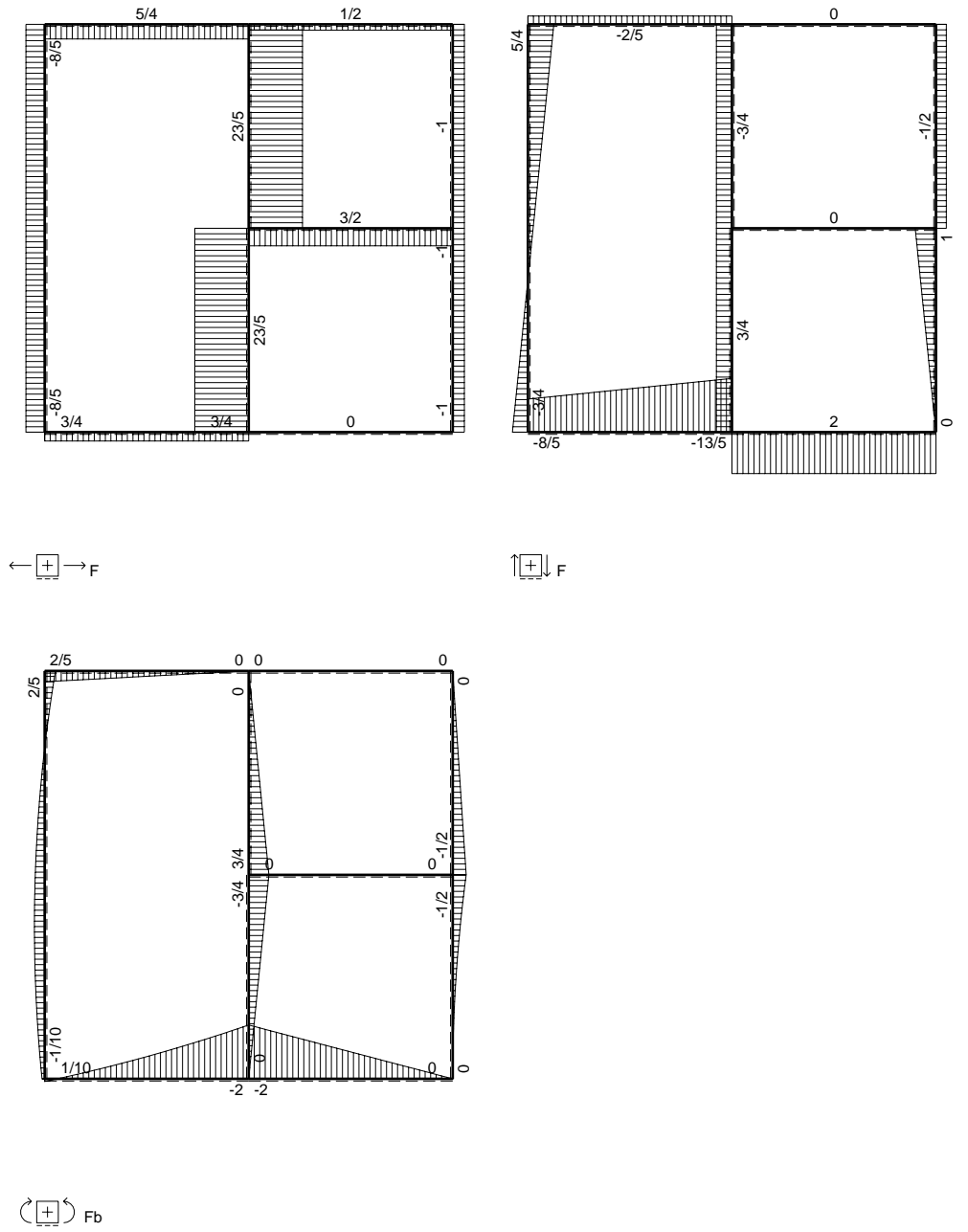
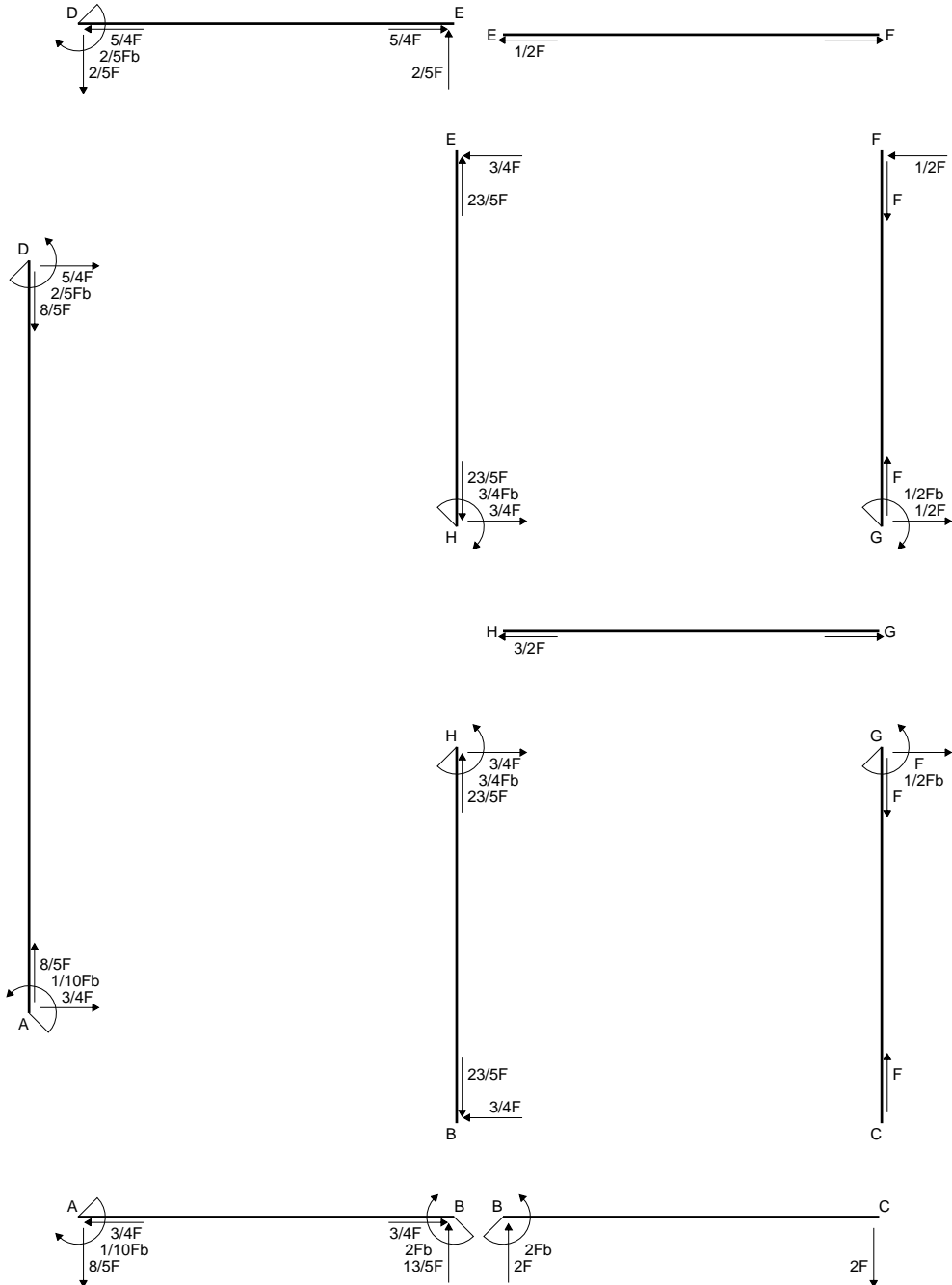
$$= (b - 5/2 b + 4/3 b) \cdot Fb \cdot 1/EJ = -1/6 \cdot Fb^2/EJ$$

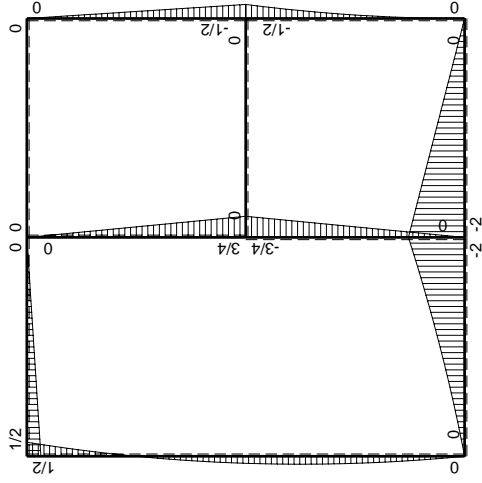
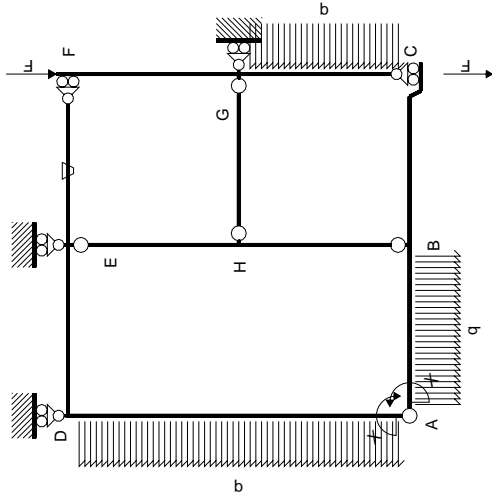
$$L_{DE}^{xo} = \int_0^b (1/2 - x/b + 1/2 x^2/b^2) \cdot Fb \cdot 1/EJ \, dx = \left[1/2 x - 1/2 x^2/b + 1/6 x^3/b^2 \right]_0^b \cdot Fb \cdot 1/EJ$$

$$= (1/2 b - 1/2 b + 1/6 b) \cdot Fb \cdot 1/EJ = 1/6 \cdot Fb^2/EJ$$

$$L_{ED}^{xo} = \int_0^b (1/2 x^2/b^2) \cdot Fb \cdot 1/EJ \, dx = \left[1/6 x^3/b^2 \right]_0^b \cdot Fb \cdot 1/EJ$$

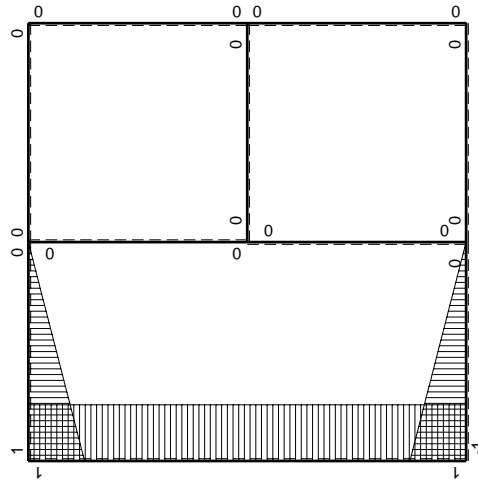
$$= (1/6 b) \cdot Fb \cdot 1/EJ = 1/6 \cdot Fb^2/EJ$$





Schema di calcolo iperstatico

M_0 flessione da carichi assegnati



M_x flessione da iperstatica $X=1$

Quadro contributi PLV per iperstatica $X=W_{AB}$

→	$M_x(x)$	$M_o(x)$	θ	$M_x M_o$	$M_x \theta$	$M_x M_x$	$\int M_x(M_o/EJ+\theta)dx$	$\int X M_x M_x/EJdx$
AB b	$-1+x/b$	$-3/2Fx-1/2qx^2$	0	$3/2Fx-Fx^2/b-1/2qx^3/b$	0	$1-2x/b+x^2/b^2$	$(7/24+0)Fb^2/EJ$	$1/3Xb/EJ$
BA b	x/b	$2Fb-5/2Fx+1/2qx^2$	0	$2Fx-5/2Fx^2/b+1/2qx^3/b$	0	x^2/b^2		
BC b	0	$-2Fb+2Fx$	0	0	0	0	0+0	0
CB b	0	$2Fx$	0	0	0	0		
AD 2b	1	$-3/4Fx+1/2qx^2$	0	$-3/4Fx+1/2Fx^2/b$	0	1	$(-1/6+0)Fb^2/EJ$	$2Xb/EJ$
DA 2b	-1	$-1/2Fb+5/4Fx-1/2qx^2$	0	$1/2Fb-5/4Fx+1/2Fx^2/b$	0	1		
DE b	$1-x/b$	$1/2Fb-1/2Fx$	0	$1/2Fb-Fx+1/2Fx^2/b$	0	$1-2x/b+x^2/b^2$	$(1/6+0)Fb^2/EJ$	$1/3Xb/EJ$
ED b	$-x/b$	$-1/2Fx$	0	$1/2Fx^2/b$	0	x^2/b^2		
EF b	0	0	$-Fb/EJ$	0	0	0	0+0	0
FE b	0	0	Fb/EJ	0	0	0		
FG b	0	$-1/2Fx$	0	0	0	0	0+0	0
GF b	0	$1/2Fb-1/2Fx$	0	0	0	0		
GC b	0	$-1/2Fb+Fx-1/2qx^2$	0	0	0	0	0+0	0
CG b	0	$1/2qx^2$	0	0	0	0		
HG b	0	0	0	0	0	0	0+0	0
GH b	0	0	0	0	0	0		
HB b	0	$-3/4Fb+3/4Fx$	0	0	0	0	0+0	0
BH b	0	$3/4Fx$	0	0	0	0		
HE b	0	$3/4Fb-3/4Fx$	0	0	0	0	0+0	0
EH b	0	$-3/4Fx$	0	0	0	0		
AB	molla asta $-W_{1AB}(W_{0AB}+XW_{1AB})/k_{AB}$							$1/4Xb/EJ$
	totali						$7/24Fb^2/EJ$	$35/12Xb/EJ$
	iperstatica $X=W_{AB}$						$-1/10Fb$	

Sviluppi di calcolo iperstatica

$$L_{AB}^{xx} = \int_0^b (1 - 2x/b + x^2/b^2) \cdot 1/EJ \, dx + 1 \cdot 1/4 \cdot b/EJ = \left[x - x^2/b + 1/3 x^3/b^2 \right]_0^b \cdot 1/EJ + 1 \cdot 1/4 \cdot b/EJ$$

$$= (b - b + 1/3 b) \cdot 1/EJ + 1 \cdot 1/4 \cdot b/EJ = 7/12 \cdot b/EJ$$

$$L_{BA}^{xx} = \int_0^b (x^2/b^2) \cdot 1/EJ \, dx + 1 \cdot 1/4 \cdot b/EJ = \left[1/3 x^3/b^2 \right]_0^b \cdot 1/EJ + 1 \cdot 1/4 \cdot b/EJ$$

$$= (1/3 b) \cdot 1/EJ + 1 \cdot 1/4 \cdot b/EJ = 7/12 \cdot b/EJ$$

$$L_{AD}^{xx} = \int_0^{2b} (1) \cdot 1/EJ \, dx = \left[x \right]_0^{2b} \cdot 1/EJ$$

$$= (2b) \cdot 1/EJ = 2 \cdot b/EJ$$

$$L_{DA}^{xx} = \int_0^{2b} (1) \cdot 1/EJ \, dx = \left[x \right]_0^{2b} \cdot 1/EJ$$

$$= (2b) \cdot 1/EJ = 2 \cdot b/EJ$$

$$L_{DE}^{xx} = \int_0^b (1 - 2x/b + x^2/b^2) \cdot 1/EJ \, dx = \left[x - x^2/b + 1/3 x^3/b^2 \right]_0^b \cdot 1/EJ$$

$$= (b - b + 1/3 b) \cdot 1/EJ = 1/3 \cdot b/EJ$$

$$L_{ED}^{xx} = \int_0^b (x^2/b^2) \cdot 1/EJ \, dx = \left[1/3 x^3/b^2 \right]_0^b \cdot 1/EJ$$

$$= (1/3 b) \cdot 1/EJ = 1/3 \cdot b/EJ$$

$$L_{AB}^{xo} = \int_0^b (3/2 x/b - x^2/b^2 - 1/2 x^3/b^3) \cdot Fb \cdot 1/EJ \, dx + 1 \cdot 0 \cdot 1/4 \cdot Fb^2/EJ$$

$$= \left[3/4 x^2/b - 1/3 x^3/b^2 - 1/8 x^4/b^3 \right]_0^b \cdot Fb \cdot 1/EJ + 1 \cdot 0 \cdot 1/4 \cdot Fb^2/EJ$$

$$= (3/4 b - 1/3 b - 1/8 b) \cdot Fb \cdot 1/EJ + 1 \cdot 0 \cdot 1/4 \cdot Fb^2/EJ = 7/24 \cdot Fb^2/EJ$$

$$L_{BA}^{xo} = \int_0^b (2x/b - 5/2 x^2/b^2 + 1/2 x^3/b^3) \cdot Fb \cdot 1/EJ \, dx + 1 \cdot 0 \cdot 1/4 \cdot Fb^2/EJ$$

$$= \left[x^2/b - 5/6 x^3/b^2 + 1/8 x^4/b^3 \right]_0^b \cdot Fb \cdot 1/EJ + 1 \cdot 0 \cdot 1/4 \cdot Fb^2/EJ$$

$$= (b - 5/6 b + 1/8 b) \cdot Fb \cdot 1/EJ + 1 \cdot 0 \cdot 1/4 \cdot Fb^2/EJ = 7/24 \cdot Fb^2/EJ$$

$$L_{AD}^{xo} = \int_0^{2b} (-3/4 x/b + 1/2 x^2/b^2) \cdot Fb \cdot 1/EJ \, dx = \left[-3/8 x^2/b + 1/6 x^3/b^2 \right]_0^{2b} \cdot Fb \cdot 1/EJ$$

$$= (-3/2 b + 4/3 b) \cdot Fb \cdot 1/EJ = -1/6 \cdot Fb^2/EJ$$

$$L_{DA}^{xo} = \int_0^{2b} (1/2 - 5/4 x/b + 1/2 x^2/b^2) \cdot Fb \cdot 1/EJ \, dx = \left[1/2 x - 5/8 x^2/b + 1/6 x^3/b^2 \right]_0^{2b} \cdot Fb \cdot 1/EJ$$

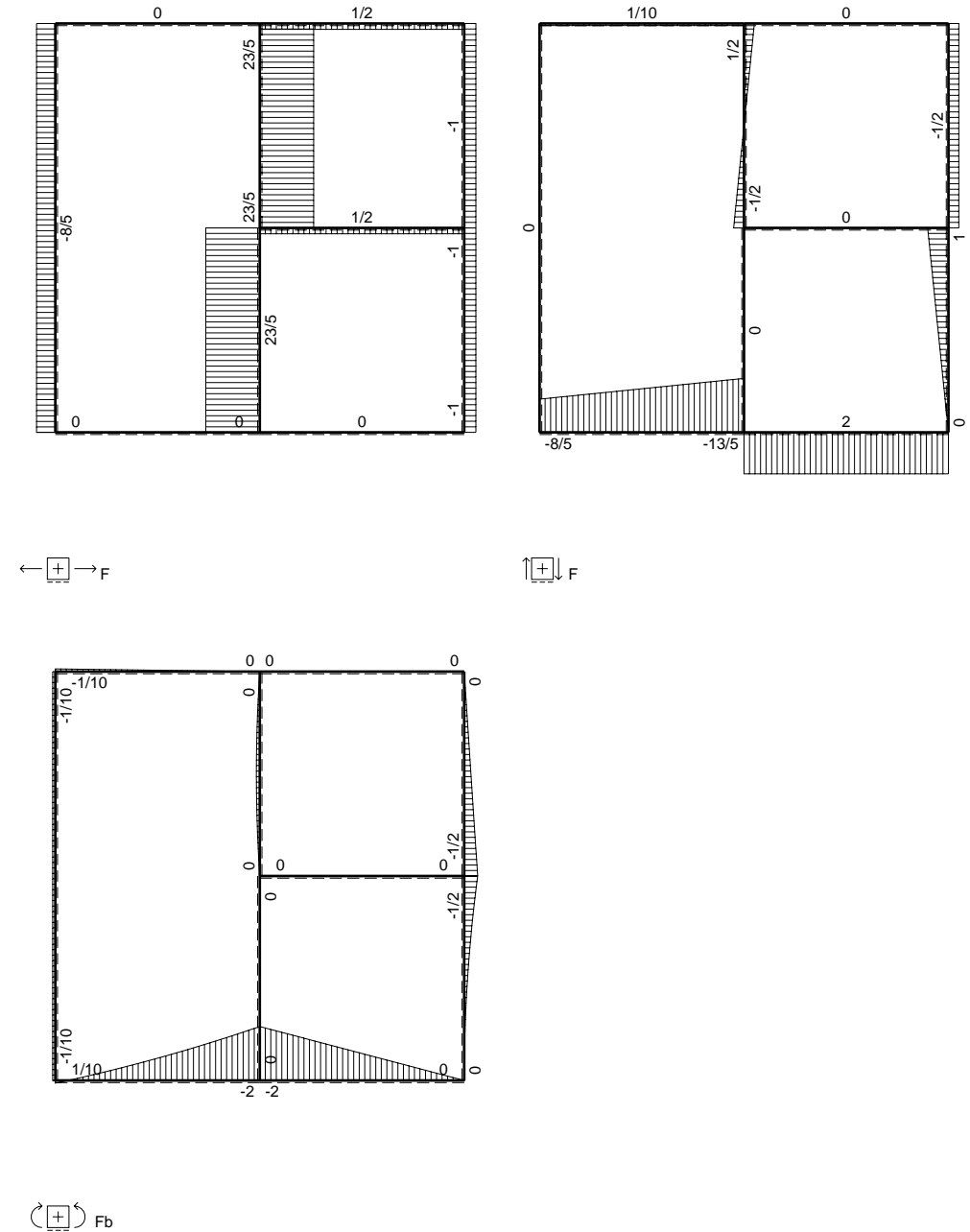
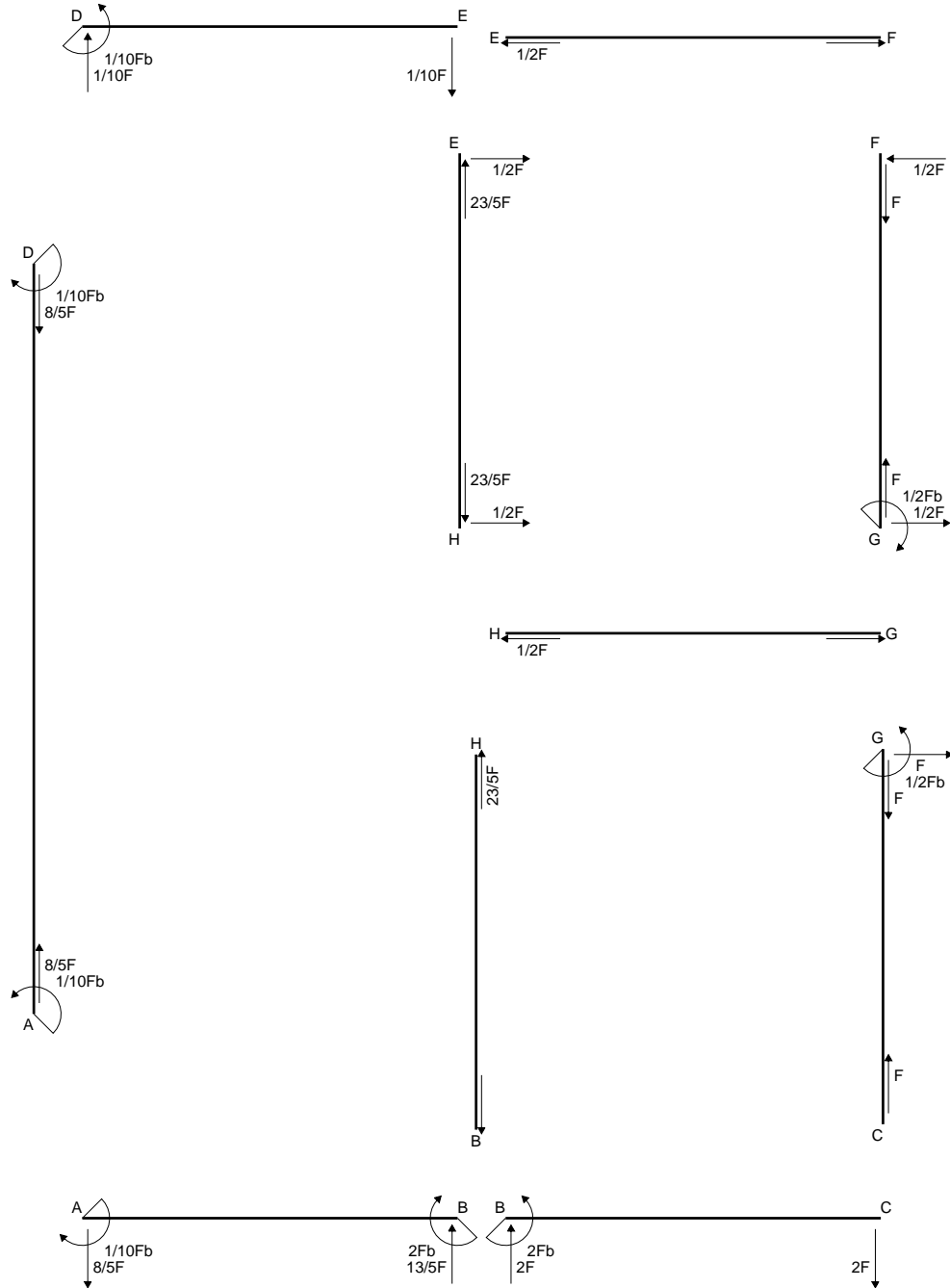
$$= (b - 5/2 b + 4/3 b) \cdot Fb \cdot 1/EJ = -1/6 \cdot Fb^2/EJ$$

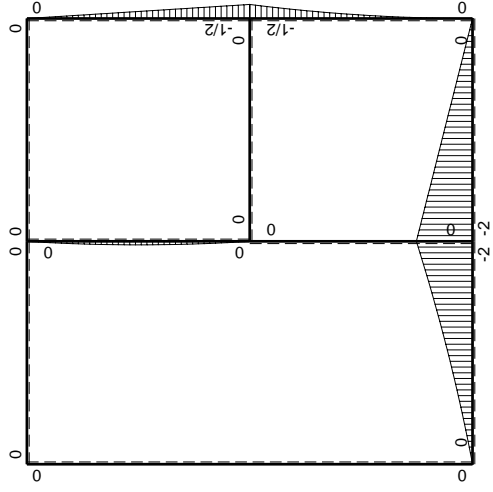
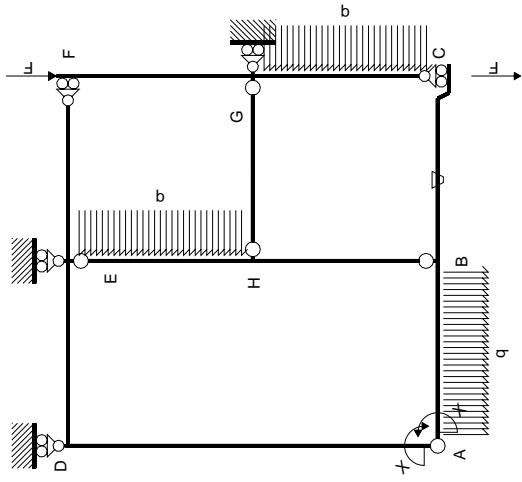
$$L_{DE}^{xo} = \int_0^b (1/2 - x/b + 1/2 x^2/b^2) \cdot Fb \cdot 1/EJ \, dx = \left[1/2 x - 1/2 x^2/b + 1/6 x^3/b^2 \right]_0^b \cdot Fb \cdot 1/EJ$$

$$= (1/2 b - 1/2 b + 1/6 b) \cdot Fb \cdot 1/EJ = 1/6 \cdot Fb^2/EJ$$

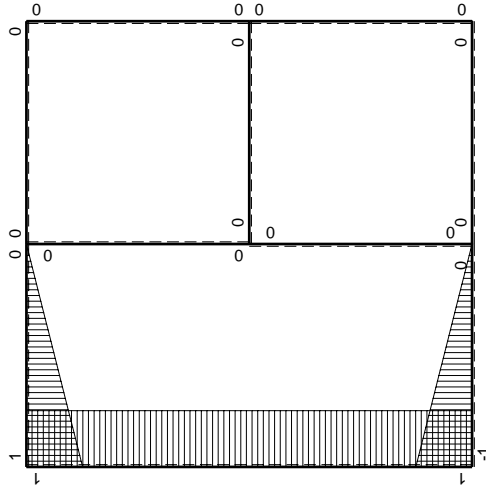
$$L_{ED}^{xo} = \int_0^b (1/2 x^2/b^2) \cdot Fb \cdot 1/EJ \, dx = \left[1/6 x^3/b^2 \right]_0^b \cdot Fb \cdot 1/EJ$$

$$= (1/6 b) \cdot Fb \cdot 1/EJ = 1/6 \cdot Fb^2/EJ$$





M_0 flessione da carichi assegnati



M_x flessione da iperstatica $X=1$

Quadro contributi PLV per iperstatica $X=W_{AB}$

→	$M_x(x)$	$M_o(x)$	θ	$M_x M_o$	$M_x \theta$	$M_x M_x$	$\int M_x(M_o/EJ+\theta)dx$	$\int X M_x M_x/EJ dx$	
AB b	$-1+x/b$	$-3/2Fx-1/2qx^2$	0	$3/2Fx-Fx^2/b-1/2qx^3/b$	0	$1-2x/b+x^2/b^2$	$(7/24+0)Fb^2/EJ$	$1/3Xb/EJ$	
BA b	x/b	$2Fb-5/2Fx+1/2qx^2$	0	$2Fx-5/2Fx^2/b+1/2qx^3/b$	0	x^2/b^2			
BC b	0	$-2Fb+2Fx$	$-Fb/EJ$	0	0	0	0+0	0	
CB b	0	$2Fx$	Fb/EJ	0	0	0			
AD 2b	1	0	0	0	0	1	0+0	$2Xb/EJ$	
DA 2b	-1	0	0	0	0	1			
DE b	$1-x/b$	0	0	0	0	$1-2x/b+x^2/b^2$	0+0	$1/3Xb/EJ$	
ED b	$-x/b$	0	0	0	0	x^2/b^2			
EF b	0	0	0	0	0	0	0+0	0	
FE b	0	0	0	0	0	0			
FG b	0	$-1/2Fx$	0	0	0	0	0+0	0	
GF b	0	$1/2Fb-1/2Fx$	0	0	0	0			
GC b	0	$-1/2Fb+Fx-1/2qx^2$	0	0	0	0	0+0	0	
CG b	0	$1/2qx^2$	0	0	0	0			
HG b	0	0	0	0	0	0	0+0	0	
GH b	0	0	0	0	0	0			
HB b	0	0	0	0	0	0	0+0	0	
BH b	0	0	0	0	0	0			
HE b	0	$-1/2Fx+1/2qx^2$	0	0	0	0	0+0	0	
EH b	0	$1/2Fx-1/2qx^2$	0	0	0	0			
AB	molla asta $-W_{1AB}(W_{0AB}+XW_{1AB})/k_{AB}$								$1/4Xb/EJ$
	totali							$7/24Fb^2/EJ$	$35/12Xb/EJ$
	iperstatica $X=W_{AB}$							$-1/10Fb$	

Sviluppi di calcolo iperstatica

$$L_{AB}^{xx} = \int_0^b (1 - 2x/b + x^2/b^2) \frac{1}{EJ} dx + 1 \cdot 1 \cdot \frac{1}{4} \frac{b}{EJ} = \left[x - \frac{x^2}{b} + \frac{1}{3} \frac{x^3}{b^2} \right]_0^b \frac{1}{EJ} + 1 \cdot 1 \cdot \frac{1}{4} \frac{b}{EJ}$$

$$= (b - b + \frac{1}{3}b) \frac{1}{EJ} + 1 \cdot 1 \cdot \frac{1}{4} \frac{b}{EJ} = \frac{7}{12} \frac{b}{EJ}$$

$$L_{BA}^{xx} = \int_0^b (x^2/b^2) \frac{1}{EJ} dx + 1 \cdot 1 \cdot \frac{1}{4} \frac{b}{EJ} = \left[\frac{1}{3} \frac{x^3}{b^2} \right]_0^b \frac{1}{EJ} + 1 \cdot 1 \cdot \frac{1}{4} \frac{b}{EJ}$$

$$= (\frac{1}{3}b) \frac{1}{EJ} + 1 \cdot 1 \cdot \frac{1}{4} \frac{b}{EJ} = \frac{7}{12} \frac{b}{EJ}$$

$$L_{AD}^{xx} = \int_0^{2b} (1) \frac{1}{EJ} dx = \left[x \right]_0^{2b} \frac{1}{EJ}$$

$$= (2b) \frac{1}{EJ} = 2 \frac{b}{EJ}$$

$$L_{DA}^{xx} = \int_0^{2b} (1) \frac{1}{EJ} dx = \left[x \right]_0^{2b} \frac{1}{EJ}$$

$$= (2b) \frac{1}{EJ} = 2 \frac{b}{EJ}$$

$$L_{DE}^{xx} = \int_0^b (1 - 2x/b + x^2/b^2) \frac{1}{EJ} dx = \left[x - \frac{x^2}{b} + \frac{1}{3} \frac{x^3}{b^2} \right]_0^b \frac{1}{EJ}$$

$$= (b - b + \frac{1}{3}b) \frac{1}{EJ} = \frac{1}{3} \frac{b}{EJ}$$

$$L_{ED}^{xx} = \int_0^b (x^2/b^2) \frac{1}{EJ} dx = \left[\frac{1}{3} \frac{x^3}{b^2} \right]_0^b \frac{1}{EJ}$$

$$= (\frac{1}{3}b) \frac{1}{EJ} = \frac{1}{3} \frac{b}{EJ}$$

$$L_{AB}^{xo} = \int_0^b (3/2 x/b - x^2/b^2 - 1/2 x^3/b^3) Fb \frac{1}{EJ} dx + 1 \cdot 0 \cdot \frac{1}{4} \frac{Fb^2}{EJ}$$

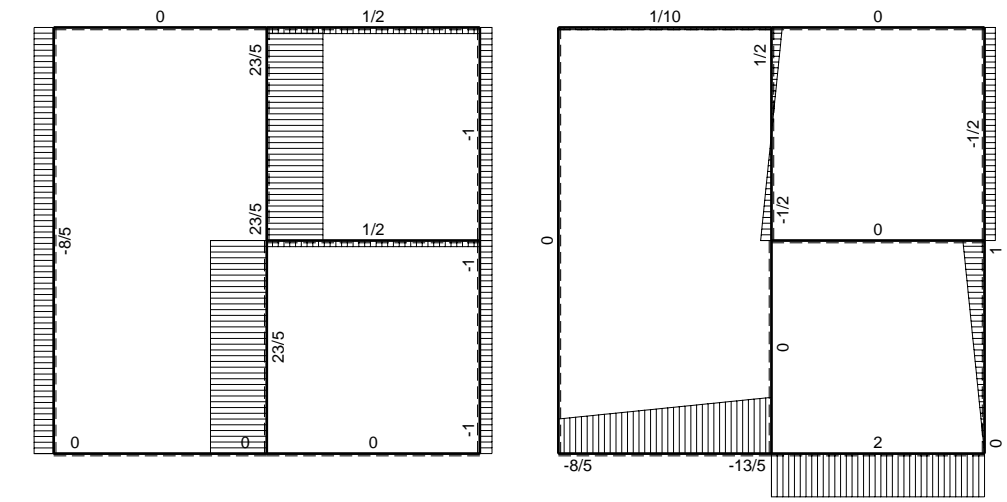
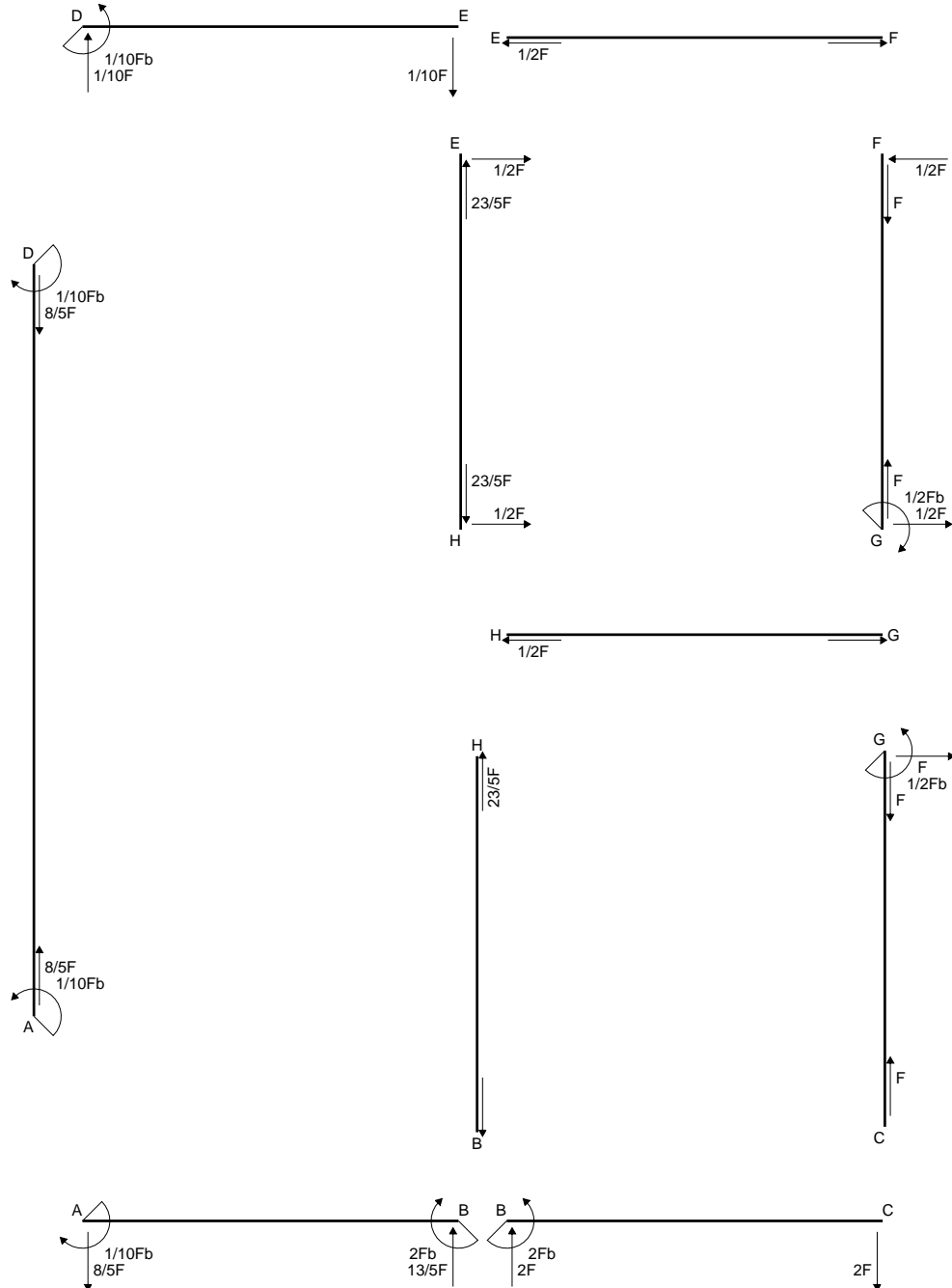
$$= \left[\frac{3}{4} \frac{x^2}{b} - \frac{1}{3} \frac{x^3}{b^2} - \frac{1}{8} \frac{x^4}{b^3} \right]_0^b Fb \frac{1}{EJ} + 1 \cdot 0 \cdot \frac{1}{4} \frac{Fb^2}{EJ}$$

$$= (3/4 b - 1/3 b - 1/8 b) Fb \frac{1}{EJ} + 1 \cdot 0 \cdot \frac{1}{4} \frac{Fb^2}{EJ} = \frac{7}{24} \frac{Fb^2}{EJ}$$

$$L_{BA}^{xo} = \int_0^b (2x/b - 5/2 x^2/b^2 + 1/2 x^3/b^3) Fb \frac{1}{EJ} dx + 1 \cdot 0 \cdot \frac{1}{4} \frac{Fb^2}{EJ}$$

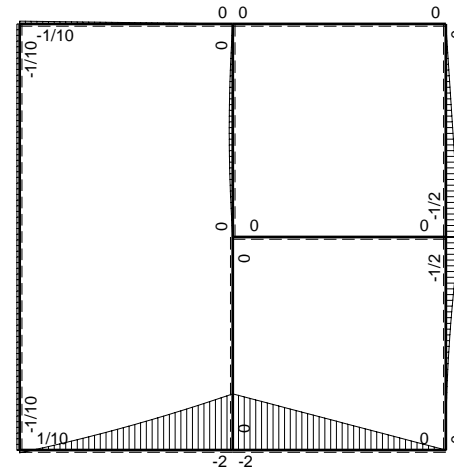
$$= \left[x^2/b - 5/6 x^3/b^2 + 1/8 x^4/b^3 \right]_0^b Fb \frac{1}{EJ} + 1 \cdot 0 \cdot \frac{1}{4} \frac{Fb^2}{EJ}$$

$$= (b - 5/6 b + 1/8 b) Fb \frac{1}{EJ} + 1 \cdot 0 \cdot \frac{1}{4} \frac{Fb^2}{EJ} = \frac{7}{24} \frac{Fb^2}{EJ}$$

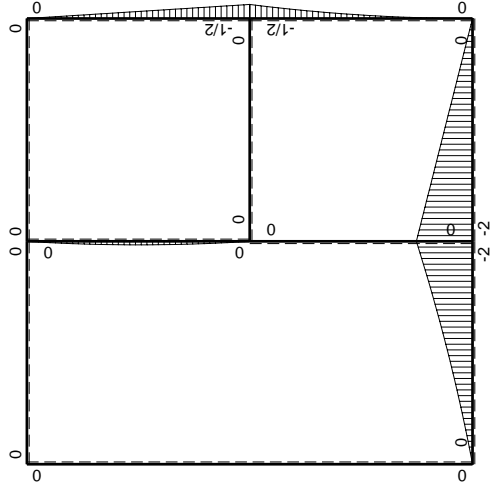
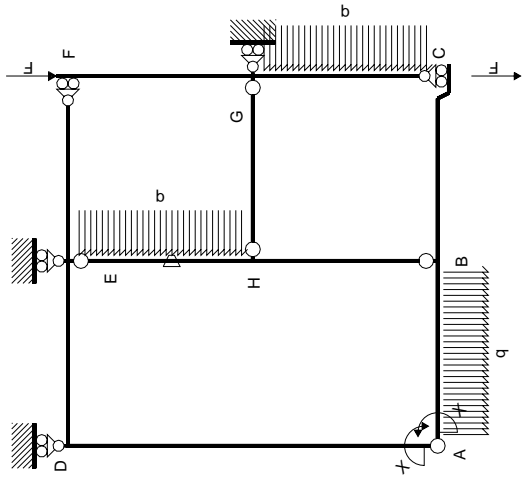


← ⊕ → F

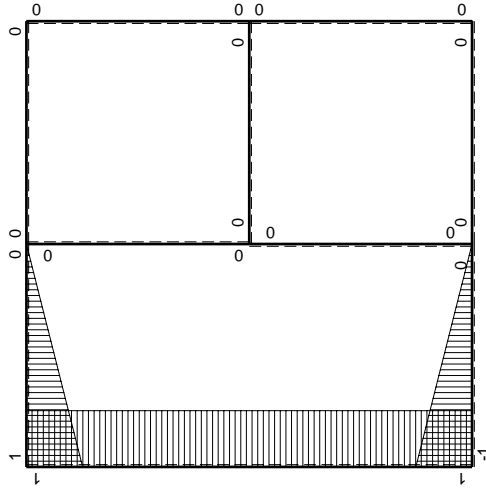
↑ ⊕ ↓ F



⊕ ⊕ Fb



M_0 flessione da carichi assegnati



M_x flessione da iperstatica $X=1$

Quadro contributi PLV per iperstatica $X=W_{AB}$

→	$M_x(x)$	$M_o(x)$	θ	$M_x M_o$	$M_x \theta$	$M_x M_x$	$\int M_x(M_o/EJ+\theta)dx$	$\int X M_x M_x/EJ dx$	
AB b	$-1+x/b$	$-3/2Fx-1/2qx^2$	0	$3/2Fx-Fx^2/b-1/2qx^3/b$	0	$1-2x/b+x^2/b^2$	$(7/24+0)Fb^2/EJ$	$1/3Xb/EJ$	
BA b	x/b	$2Fb-5/2Fx+1/2qx^2$	0	$2Fx-5/2Fx^2/b+1/2qx^3/b$	0	x^2/b^2			
BC b	0	$-2Fb+2Fx$	0	0	0	0	0+0	0	
CB b	0	$2Fx$	0	0	0	0			
AD 2b	1	0	0	0	0	1	0+0	$2Xb/EJ$	
DA 2b	-1	0	0	0	0	1			
DE b	$1-x/b$	0	0	0	0	$1-2x/b+x^2/b^2$	0+0	$1/3Xb/EJ$	
ED b	$-x/b$	0	0	0	0	x^2/b^2			
EF b	0	0	0	0	0	0	0+0	0	
FE b	0	0	0	0	0	0			
FG b	0	$-1/2Fx$	0	0	0	0	0+0	0	
GF b	0	$1/2Fb-1/2Fx$	0	0	0	0			
GC b	0	$-1/2Fb+Fx-1/2qx^2$	0	0	0	0	0+0	0	
CG b	0	$1/2qx^2$	0	0	0	0			
HG b	0	0	0	0	0	0	0+0	0	
GH b	0	0	0	0	0	0			
HB b	0	0	0	0	0	0	0+0	0	
BH b	0	0	0	0	0	0			
HE b	0	$-1/2Fx+1/2qx^2$	$-Fb/EJ$	0	0	0	0+0	0	
EH b	0	$1/2Fx-1/2qx^2$	Fb/EJ	0	0	0			
AB	molla asta $-W_{1AB}(W_{0AB}+XW_{1AB})/k_{AB}$								$1/4Xb/EJ$
	totali							$7/24Fb^2/EJ$	$35/12Xb/EJ$
	iperstatica $X=W_{AB}$							$-1/10Fb$	

Sviluppi di calcolo iperstatica

$$L_{AB}^{xx} = \int_0^b (1 - 2x/b + x^2/b^2) \cdot 1/EJ \, dx + 1 \cdot 1/4 \cdot b/EJ = \left[x - x^2/b + 1/3 x^3/b^2 \right]_0^b \cdot 1/EJ + 1 \cdot 1/4 \cdot b/EJ$$

$$= (b - b + 1/3 b) \cdot 1/EJ + 1 \cdot 1/4 \cdot b/EJ = 7/12 \cdot b/EJ$$

$$L_{BA}^{xx} = \int_0^b (x^2/b^2) \cdot 1/EJ \, dx + 1 \cdot 1/4 \cdot b/EJ = \left[1/3 x^3/b^2 \right]_0^b \cdot 1/EJ + 1 \cdot 1/4 \cdot b/EJ$$

$$= (1/3 b) \cdot 1/EJ + 1 \cdot 1/4 \cdot b/EJ = 7/12 \cdot b/EJ$$

$$L_{AD}^{xx} = \int_0^{2b} (1) \cdot 1/EJ \, dx = \left[x \right]_0^{2b} \cdot 1/EJ$$

$$= (2b) \cdot 1/EJ = 2 \cdot b/EJ$$

$$L_{DA}^{xx} = \int_0^{2b} (1) \cdot 1/EJ \, dx = \left[x \right]_0^{2b} \cdot 1/EJ$$

$$= (2b) \cdot 1/EJ = 2 \cdot b/EJ$$

$$L_{DE}^{xx} = \int_0^b (1 - 2x/b + x^2/b^2) \cdot 1/EJ \, dx = \left[x - x^2/b + 1/3 x^3/b^2 \right]_0^b \cdot 1/EJ$$

$$= (b - b + 1/3 b) \cdot 1/EJ = 1/3 \cdot b/EJ$$

$$L_{ED}^{xx} = \int_0^b (x^2/b^2) \cdot 1/EJ \, dx = \left[1/3 x^3/b^2 \right]_0^b \cdot 1/EJ$$

$$= (1/3 b) \cdot 1/EJ = 1/3 \cdot b/EJ$$

$$L_{AB}^{xo} = \int_0^b (3/2 x/b - x^2/b^2 - 1/2 x^3/b^3) \cdot Fb \cdot 1/EJ \, dx + 1 \cdot 0 \cdot 1/4 \cdot Fb^2/EJ$$

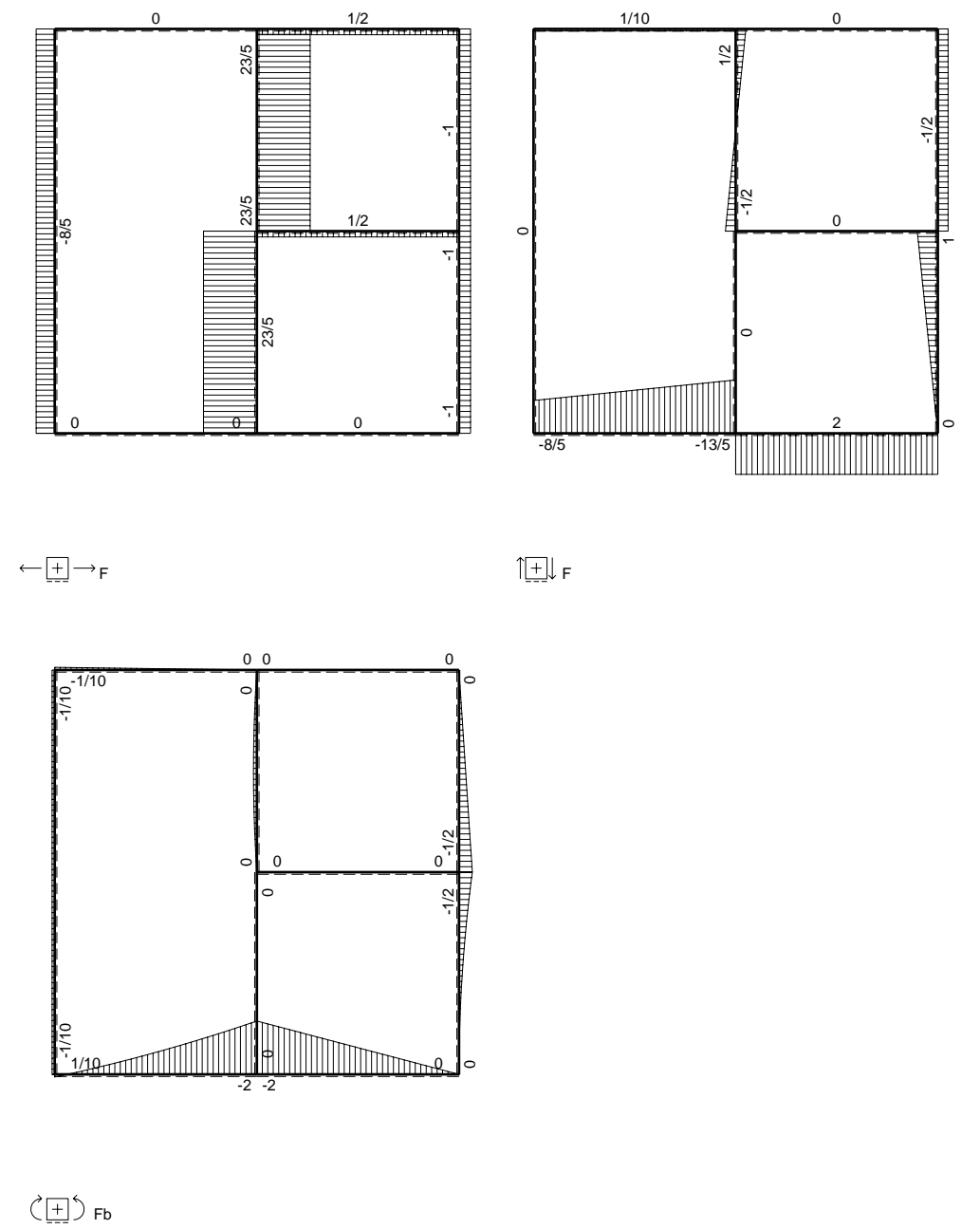
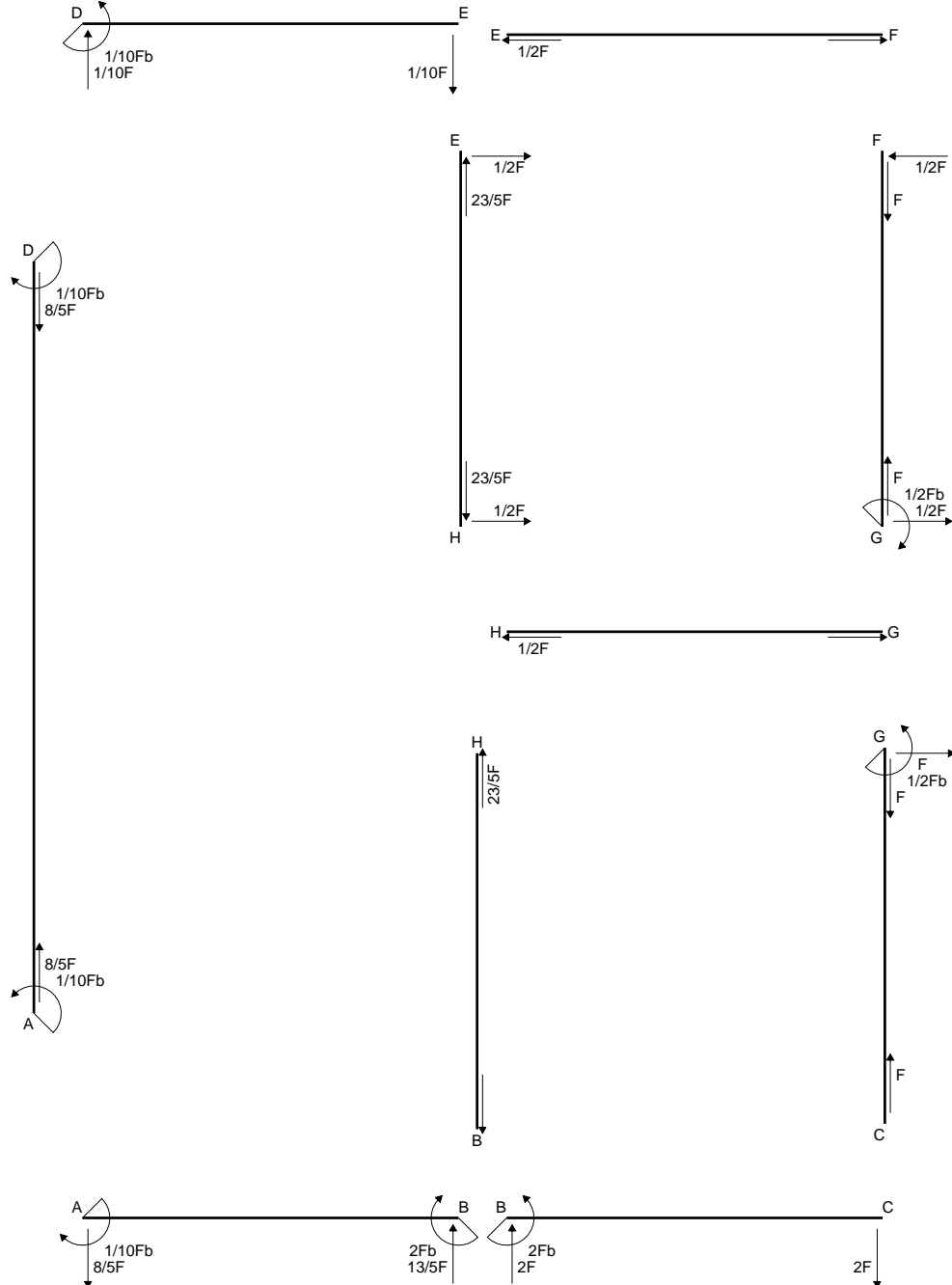
$$= \left[3/4 x^2/b - 1/3 x^3/b^2 - 1/8 x^4/b^3 \right]_0^b \cdot Fb \cdot 1/EJ + 1 \cdot 0 \cdot 1/4 \cdot Fb^2/EJ$$

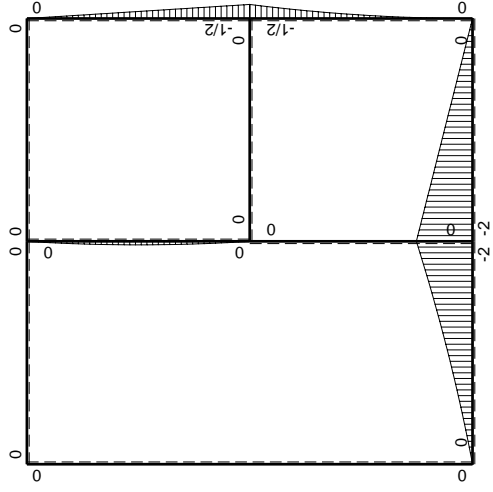
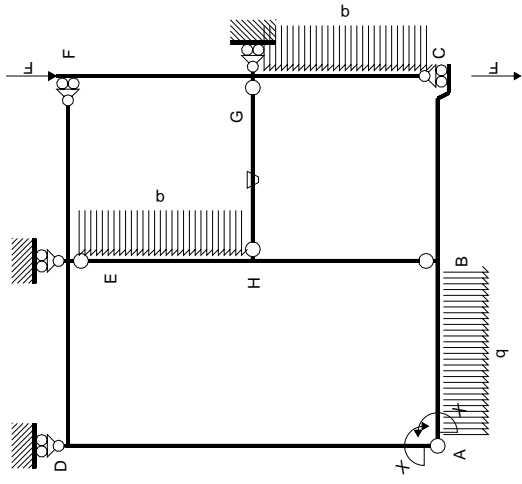
$$= (3/4 b - 1/3 b - 1/8 b) \cdot Fb \cdot 1/EJ + 1 \cdot 0 \cdot 1/4 \cdot Fb^2/EJ = 7/24 \cdot Fb^2/EJ$$

$$L_{BA}^{xo} = \int_0^b (2x/b - 5/2 x^2/b^2 + 1/2 x^3/b^3) \cdot Fb \cdot 1/EJ \, dx + 1 \cdot 0 \cdot 1/4 \cdot Fb^2/EJ$$

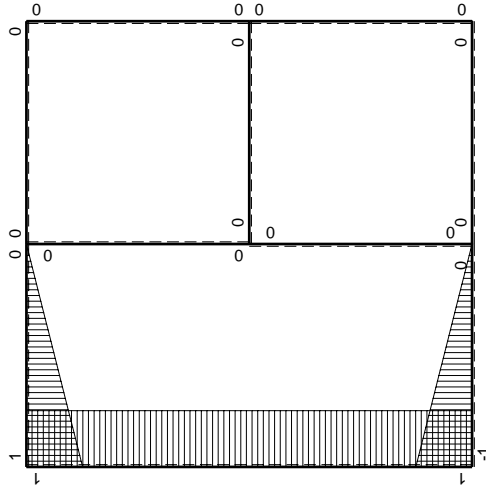
$$= \left[x^2/b - 5/6 x^3/b^2 + 1/8 x^4/b^3 \right]_0^b \cdot Fb \cdot 1/EJ + 1 \cdot 0 \cdot 1/4 \cdot Fb^2/EJ$$

$$= (b - 5/6 b + 1/8 b) \cdot Fb \cdot 1/EJ + 1 \cdot 0 \cdot 1/4 \cdot Fb^2/EJ = 7/24 \cdot Fb^2/EJ$$





M_0 flessione da carichi assegnati



M_X flessione da iperstatica $X=1$

Quadro contributi PLV per iperstatica $X=W_{AB}$

→	$M_x(x)$	$M_o(x)$	θ	$M_x M_o$	$M_x \theta$	$M_x M_x$	$\int M_x(M_o/EJ+\theta)dx$	$\int X M_x M_x/EJ dx$	
AB b	$-1+x/b$	$-3/2Fx-1/2qx^2$	0	$3/2Fx-Fx^2/b-1/2qx^3/b$	0	$1-2x/b+x^2/b^2$	$(7/24+0)Fb^2/EJ$	$1/3Xb/EJ$	
BA b	x/b	$2Fb-5/2Fx+1/2qx^2$	0	$2Fx-5/2Fx^2/b+1/2qx^3/b$	0	x^2/b^2			
BC b	0	$-2Fb+2Fx$	0	0	0	0	0+0	0	
CB b	0	$2Fx$	0	0	0	0			
AD 2b	1	0	0	0	0	1	0+0	$2Xb/EJ$	
DA 2b	-1	0	0	0	0	1			
DE b	$1-x/b$	0	0	0	0	$1-2x/b+x^2/b^2$	0+0	$1/3Xb/EJ$	
ED b	$-x/b$	0	0	0	0	x^2/b^2			
EF b	0	0	0	0	0	0	0+0	0	
FE b	0	0	0	0	0	0			
FG b	0	$-1/2Fx$	0	0	0	0	0+0	0	
GF b	0	$1/2Fb-1/2Fx$	0	0	0	0			
GC b	0	$-1/2Fb+Fx-1/2qx^2$	0	0	0	0	0+0	0	
CG b	0	$1/2qx^2$	0	0	0	0			
HG b	0	0	$-Fb/EJ$	0	0	0	0+0	0	
GH b	0	0	Fb/EJ	0	0	0			
HB b	0	0	0	0	0	0	0+0	0	
BH b	0	0	0	0	0	0			
HE b	0	$-1/2Fx+1/2qx^2$	0	0	0	0	0+0	0	
EH b	0	$1/2Fx-1/2qx^2$	0	0	0	0			
AB	molla asta $-W_{1AB}(W_{0AB}+XW_{1AB})/k_{AB}$								$1/4Xb/EJ$
	totali							$7/24Fb^2/EJ$	$35/12Xb/EJ$
	iperstatica $X=W_{AB}$							$-1/10Fb$	

Sviluppi di calcolo iperstatica

$$L_{AB}^{xx} = \int_0^b (1 - 2x/b + x^2/b^2) \frac{1}{EJ} dx + 1 \cdot 1/4 \cdot b/EJ = \left[x - x^2/b + 1/3 x^3/b^2 \right]_0^b \frac{1}{EJ} + 1 \cdot 1/4 \cdot b/EJ$$

$$= (b - b + 1/3 b) \frac{1}{EJ} + 1 \cdot 1/4 \cdot b/EJ = 7/12 \cdot b/EJ$$

$$L_{BA}^{xx} = \int_0^b (x^2/b^2) \frac{1}{EJ} dx + 1 \cdot 1/4 \cdot b/EJ = \left[1/3 x^3/b^2 \right]_0^b \frac{1}{EJ} + 1 \cdot 1/4 \cdot b/EJ$$

$$= (1/3 b) \frac{1}{EJ} + 1 \cdot 1/4 \cdot b/EJ = 7/12 \cdot b/EJ$$

$$L_{AD}^{xx} = \int_0^{2b} (1) \frac{1}{EJ} dx = \left[x \right]_0^{2b} \frac{1}{EJ}$$

$$= (2b) \frac{1}{EJ} = 2 \cdot b/EJ$$

$$L_{DA}^{xx} = \int_0^{2b} (1) \frac{1}{EJ} dx = \left[x \right]_0^{2b} \frac{1}{EJ}$$

$$= (2b) \frac{1}{EJ} = 2 \cdot b/EJ$$

$$L_{DE}^{xx} = \int_0^b (1 - 2x/b + x^2/b^2) \frac{1}{EJ} dx = \left[x - x^2/b + 1/3 x^3/b^2 \right]_0^b \frac{1}{EJ}$$

$$= (b - b + 1/3 b) \frac{1}{EJ} = 1/3 \cdot b/EJ$$

$$L_{ED}^{xx} = \int_0^b (x^2/b^2) \frac{1}{EJ} dx = \left[1/3 x^3/b^2 \right]_0^b \frac{1}{EJ}$$

$$= (1/3 b) \frac{1}{EJ} = 1/3 \cdot b/EJ$$

$$L_{AB}^{xo} = \int_0^b (3/2 x/b - x^2/b^2 - 1/2 x^3/b^3) Fb \frac{1}{EJ} dx + 1 \cdot 0 \cdot 1/4 \cdot Fb^2/EJ$$

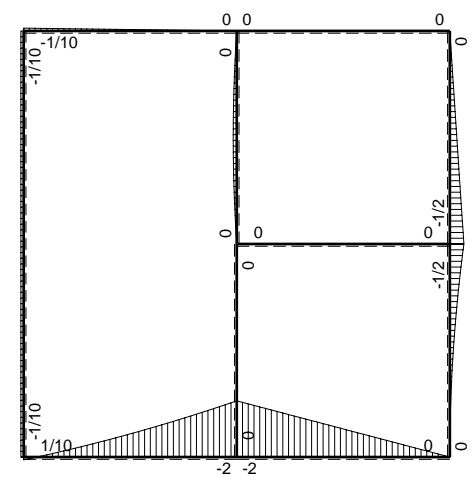
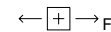
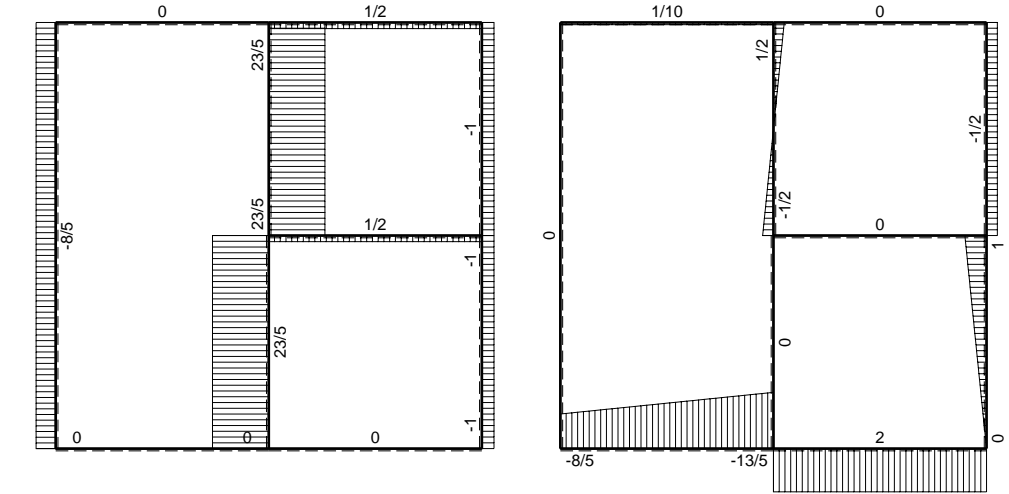
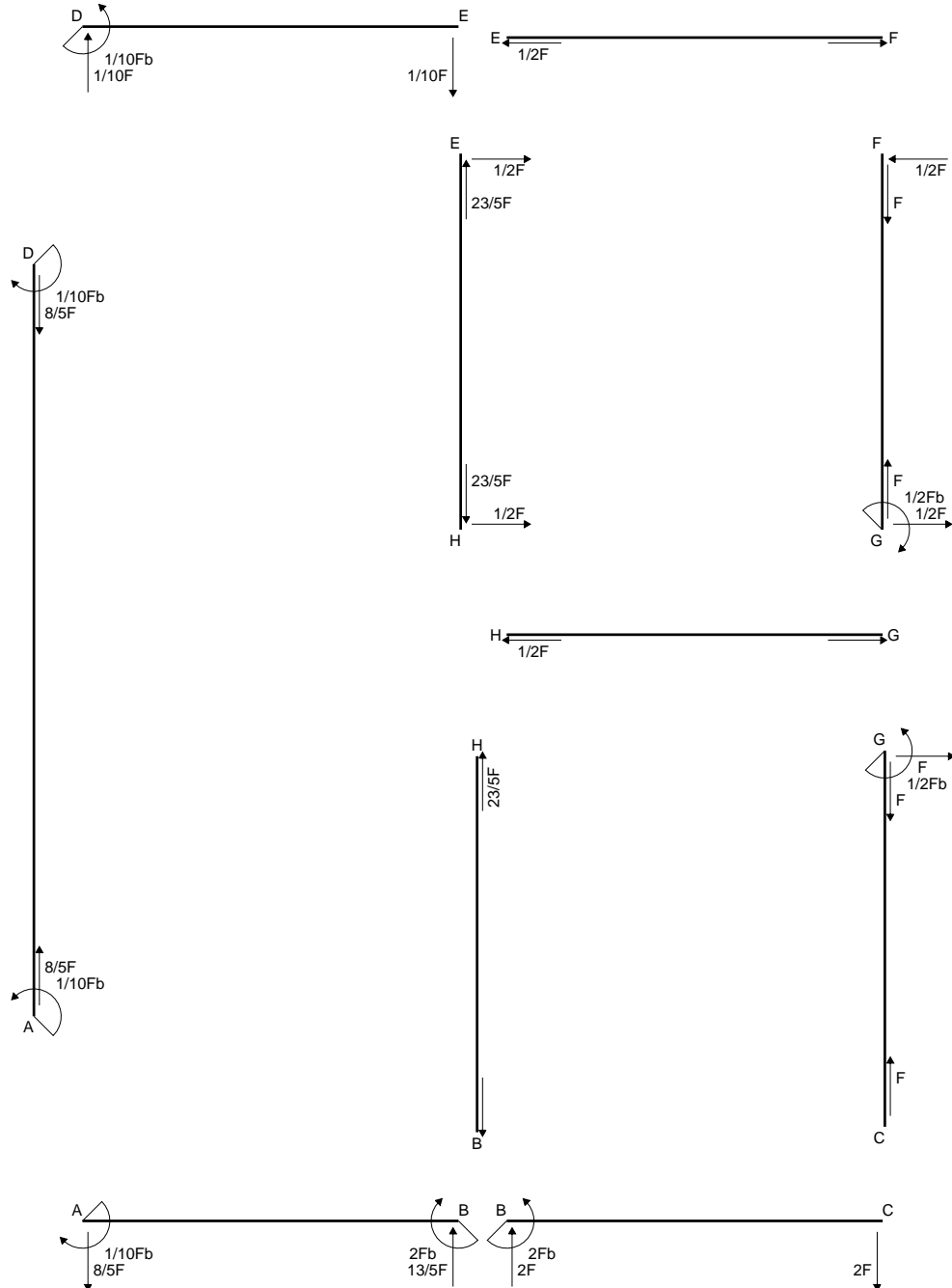
$$= \left[3/4 x^2/b - 1/3 x^3/b^2 - 1/8 x^4/b^3 \right]_0^b Fb \frac{1}{EJ} + 1 \cdot 0 \cdot 1/4 \cdot Fb^2/EJ$$

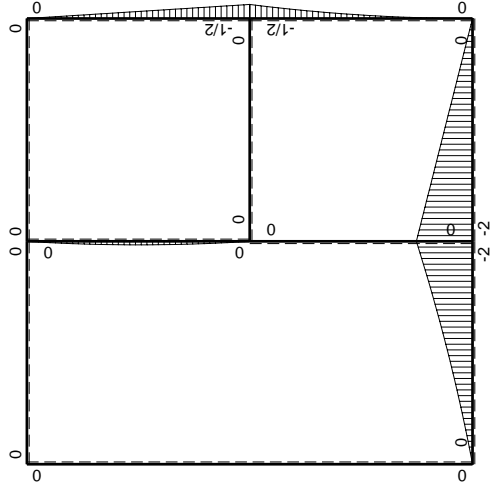
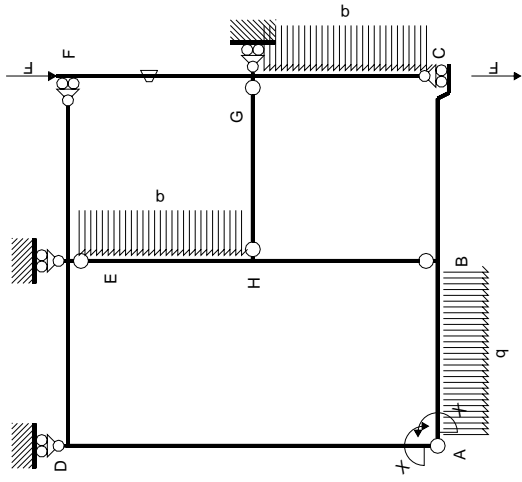
$$= (3/4 b - 1/3 b - 1/8 b) Fb \frac{1}{EJ} + 1 \cdot 0 \cdot 1/4 \cdot Fb^2/EJ = 7/24 \cdot Fb^2/EJ$$

$$L_{BA}^{xo} = \int_0^b (2x/b - 5/2 x^2/b^2 + 1/2 x^3/b^3) Fb \frac{1}{EJ} dx + 1 \cdot 0 \cdot 1/4 \cdot Fb^2/EJ$$

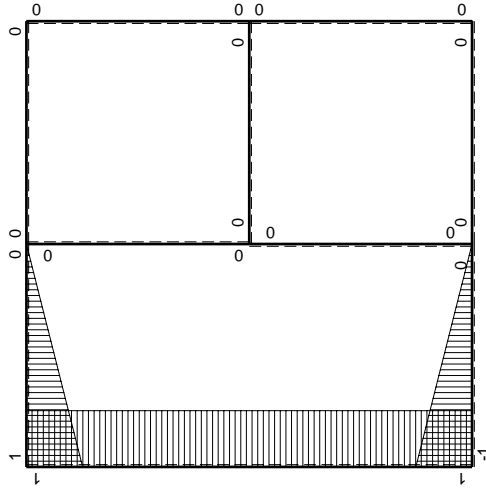
$$= \left[x^2/b - 5/6 x^3/b^2 + 1/8 x^4/b^3 \right]_0^b Fb \frac{1}{EJ} + 1 \cdot 0 \cdot 1/4 \cdot Fb^2/EJ$$

$$= (b - 5/6 b + 1/8 b) Fb \frac{1}{EJ} + 1 \cdot 0 \cdot 1/4 \cdot Fb^2/EJ = 7/24 \cdot Fb^2/EJ$$





M_0 flessione da carichi assegnati



M_X flessione da iperstatica $X=1$

Quadro contributi PLV per iperstatica $X=W_{AB}$

→	$M_x(x)$	$M_o(x)$	θ	$M_x M_o$	$M_x \theta$	$M_x M_x$	$\int M_x(M_o/EJ+\theta)dx$	$\int X M_x M_x/EJ dx$	
AB b	$-1+x/b$	$-3/2Fx-1/2qx^2$	0	$3/2Fx-Fx^2/b-1/2qx^3/b$	0	$1-2x/b+x^2/b^2$	$(7/24+0)Fb^2/EJ$	$1/3Xb/EJ$	
BA b	x/b	$2Fb-5/2Fx+1/2qx^2$	0	$2Fx-5/2Fx^2/b+1/2qx^3/b$	0	x^2/b^2			
BC b	0	$-2Fb+2Fx$	0	0	0	0	0+0	0	
CB b	0	$2Fx$	0	0	0	0			
AD 2b	1	0	0	0	0	1	0+0	$2Xb/EJ$	
DA 2b	-1	0	0	0	0	1			
DE b	$1-x/b$	0	0	0	0	$1-2x/b+x^2/b^2$	0+0	$1/3Xb/EJ$	
ED b	$-x/b$	0	0	0	0	x^2/b^2			
EF b	0	0	0	0	0	0	0+0	0	
FE b	0	0	0	0	0	0			
FG b	0	$-1/2Fx$	$-Fb/EJ$	0	0	0	0+0	0	
GF b	0	$1/2Fb-1/2Fx$	Fb/EJ	0	0	0			
GC b	0	$-1/2Fb+Fx-1/2qx^2$	0	0	0	0	0+0	0	
CG b	0	$1/2qx^2$	0	0	0	0			
HG b	0	0	0	0	0	0	0+0	0	
GH b	0	0	0	0	0	0			
HB b	0	0	0	0	0	0	0+0	0	
BH b	0	0	0	0	0	0			
HE b	0	$-1/2Fx+1/2qx^2$	0	0	0	0	0+0	0	
EH b	0	$1/2Fx-1/2qx^2$	0	0	0	0			
AB	molla asta $-W_{1AB}(W_{0AB}+XW_{1AB})/k_{AB}$								$1/4Xb/EJ$
	totali							$7/24Fb^2/EJ$	$35/12Xb/EJ$
	iperstatica $X=W_{AB}$							$-1/10Fb$	

Sviluppi di calcolo iperstatica

$$L_{AB}^{xx} = \int_0^b (1 - 2x/b + x^2/b^2) \cdot 1/EJ \, dx + 1 \cdot 1/4 \cdot b/EJ = \left[x - x^2/b + 1/3 x^3/b^2 \right]_0^b \cdot 1/EJ + 1 \cdot 1/4 \cdot b/EJ$$

$$= (b - b + 1/3 b) \cdot 1/EJ + 1 \cdot 1/4 \cdot b/EJ = 7/12 \cdot b/EJ$$

$$L_{BA}^{xx} = \int_0^b (x^2/b^2) \cdot 1/EJ \, dx + 1 \cdot 1/4 \cdot b/EJ = \left[1/3 x^3/b^2 \right]_0^b \cdot 1/EJ + 1 \cdot 1/4 \cdot b/EJ$$

$$= (1/3 b) \cdot 1/EJ + 1 \cdot 1/4 \cdot b/EJ = 7/12 \cdot b/EJ$$

$$L_{AD}^{xx} = \int_0^{2b} (1) \cdot 1/EJ \, dx = \left[x \right]_0^{2b} \cdot 1/EJ$$

$$= (2b) \cdot 1/EJ = 2 \cdot b/EJ$$

$$L_{DA}^{xx} = \int_0^{2b} (1) \cdot 1/EJ \, dx = \left[x \right]_0^{2b} \cdot 1/EJ$$

$$= (2b) \cdot 1/EJ = 2 \cdot b/EJ$$

$$L_{DE}^{xx} = \int_0^b (1 - 2x/b + x^2/b^2) \cdot 1/EJ \, dx = \left[x - x^2/b + 1/3 x^3/b^2 \right]_0^b \cdot 1/EJ$$

$$= (b - b + 1/3 b) \cdot 1/EJ = 1/3 \cdot b/EJ$$

$$L_{ED}^{xx} = \int_0^b (x^2/b^2) \cdot 1/EJ \, dx = \left[1/3 x^3/b^2 \right]_0^b \cdot 1/EJ$$

$$= (1/3 b) \cdot 1/EJ = 1/3 \cdot b/EJ$$

$$L_{AB}^{xo} = \int_0^b (3/2 x/b - x^2/b^2 - 1/2 x^3/b^3) \cdot Fb \cdot 1/EJ \, dx + 1 \cdot 0 \cdot 1/4 \cdot Fb^2/EJ$$

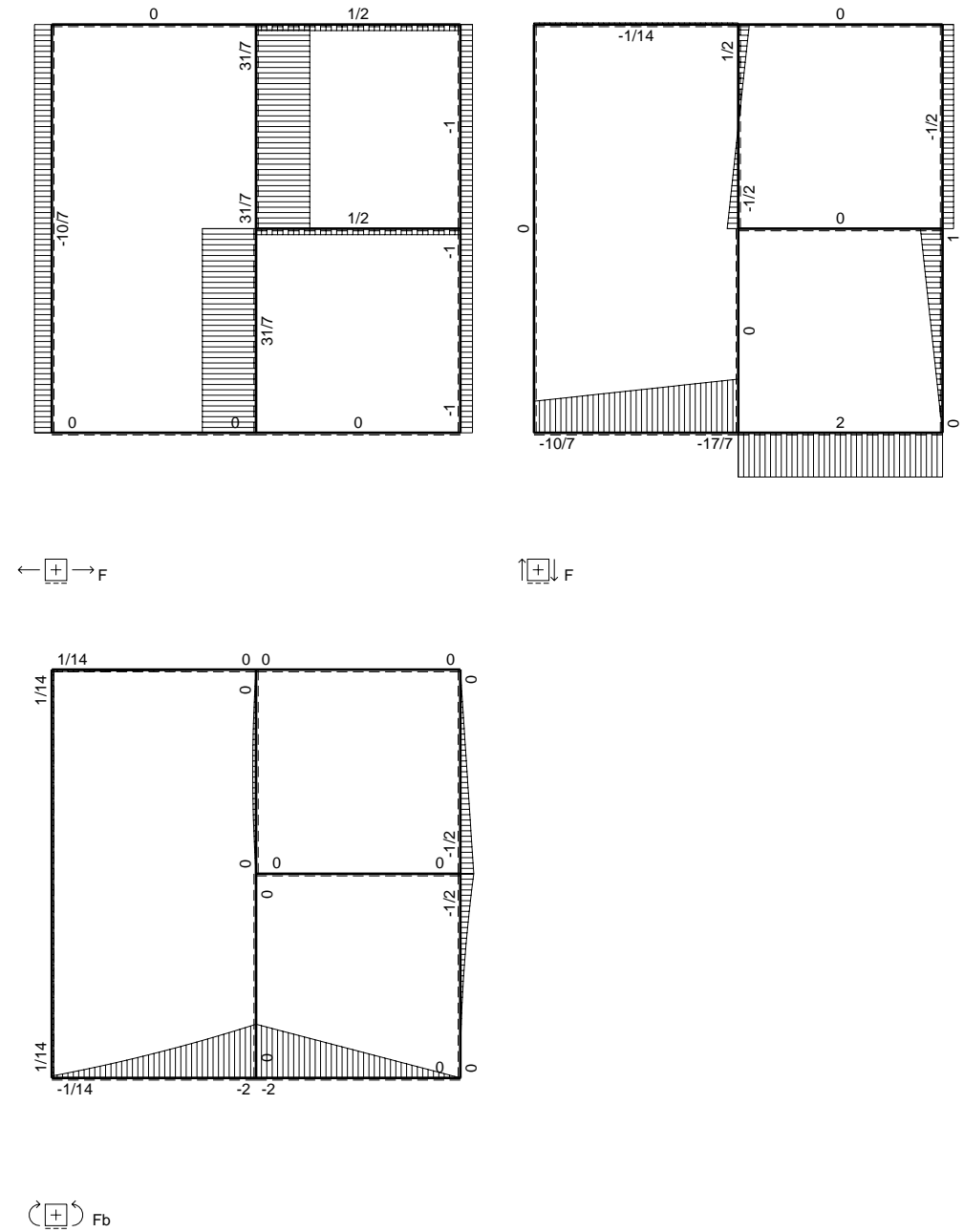
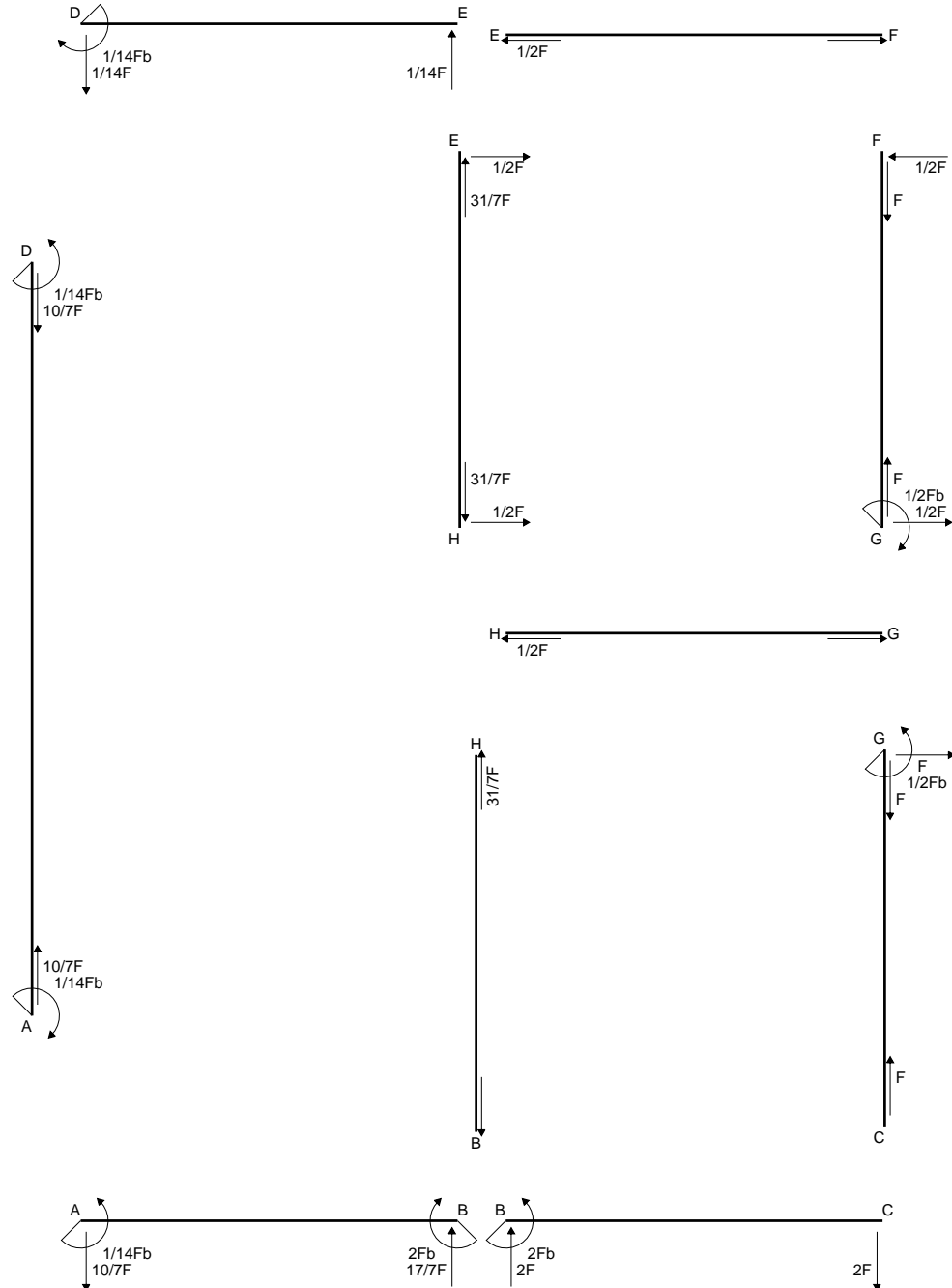
$$= \left[3/4 x^2/b - 1/3 x^3/b^2 - 1/8 x^4/b^3 \right]_0^b \cdot Fb \cdot 1/EJ + 1 \cdot 0 \cdot 1/4 \cdot Fb^2/EJ$$

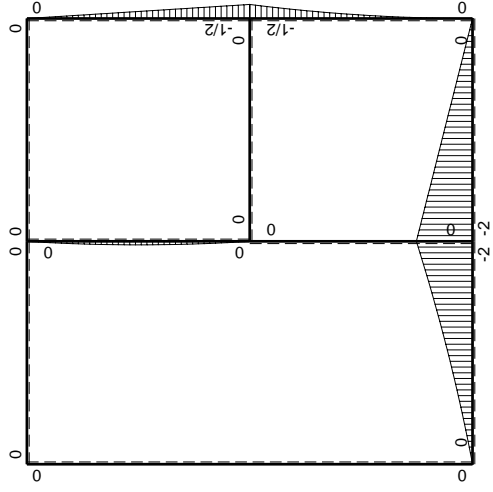
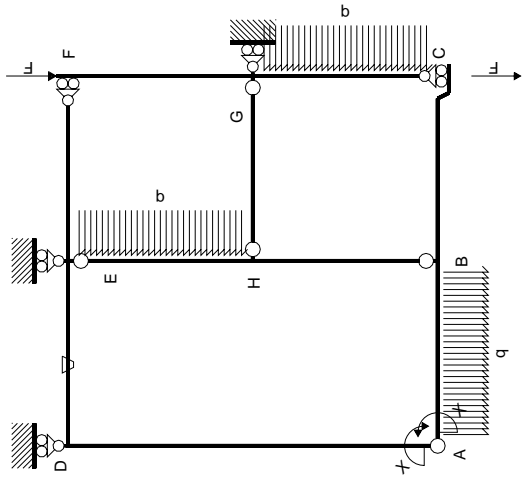
$$= (3/4 b - 1/3 b - 1/8 b) \cdot Fb \cdot 1/EJ + 1 \cdot 0 \cdot 1/4 \cdot Fb^2/EJ = 7/24 \cdot Fb^2/EJ$$

$$L_{BA}^{xo} = \int_0^b (2x/b - 5/2 x^2/b^2 + 1/2 x^3/b^3) \cdot Fb \cdot 1/EJ \, dx + 1 \cdot 0 \cdot 1/4 \cdot Fb^2/EJ$$

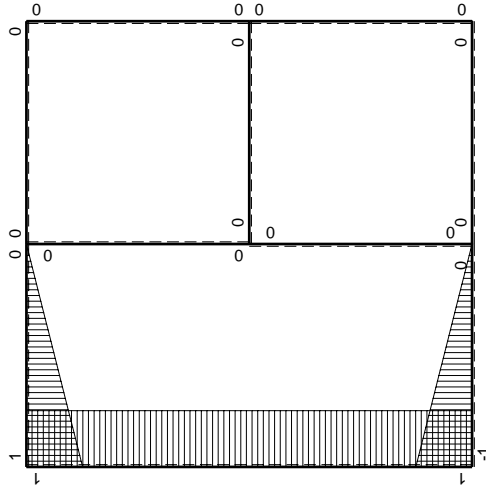
$$= \left[x^2/b - 5/6 x^3/b^2 + 1/8 x^4/b^3 \right]_0^b \cdot Fb \cdot 1/EJ + 1 \cdot 0 \cdot 1/4 \cdot Fb^2/EJ$$

$$= (b - 5/6 b + 1/8 b) \cdot Fb \cdot 1/EJ + 1 \cdot 0 \cdot 1/4 \cdot Fb^2/EJ = 7/24 \cdot Fb^2/EJ$$





M_0 flessione da carichi assegnati



M_x flessione da iperstatica X=1

Quadro contributi PLV per iperstatica $X=W_{AB}$

→	$M_x(x)$	$M_o(x)$	θ	$M_x M_o$	$M_x \theta$	$M_x M_x$	$\int M_x(M_o/EJ+\theta)dx$	$\int X M_x M_x / EJ dx$	
AB b	$-1+x/b$	$-3/2Fx-1/2qx^2$	0	$3/2Fx-Fx^2/b-1/2qx^3/b$	0	$1-2x/b+x^2/b^2$	$(7/24+0)Fb^2/EJ$	$1/3Xb/EJ$	
BA b	x/b	$2Fb-5/2Fx+1/2qx^2$	0	$2Fx-5/2Fx^2/b+1/2qx^3/b$	0	x^2/b^2			
BC b	0	$-2Fb+2Fx$	0	0	0	0	0+0	0	
CB b	0	$2Fx$	0	0	0	0			
AD 2b	1	0	0	0	0	1	0+0	$2Xb/EJ$	
DA 2b	-1	0	0	0	0	1			
DE b	$1-x/b$	0	$-Fb/EJ$	0	$-Fb/EJ+Fx/EJ$	$1-2x/b+x^2/b^2$	$(0-1/2)Fb^2/EJ$	$1/3Xb/EJ$	
ED b	$-x/b$	0	Fb/EJ	0	$-Fx/EJ$	x^2/b^2			
EF b	0	0	0	0	0	0	0+0	0	
FE b	0	0	0	0	0	0			
FG b	0	$-1/2Fx$	0	0	0	0	0+0	0	
GF b	0	$1/2Fb-1/2Fx$	0	0	0	0			
GC b	0	$-1/2Fb+Fx-1/2qx^2$	0	0	0	0	0+0	0	
CG b	0	$1/2qx^2$	0	0	0	0			
HG b	0	0	0	0	0	0	0+0	0	
GH b	0	0	0	0	0	0			
HB b	0	0	0	0	0	0	0+0	0	
BH b	0	0	0	0	0	0			
HE b	0	$-1/2Fx+1/2qx^2$	0	0	0	0	0+0	0	
EH b	0	$1/2Fx-1/2qx^2$	0	0	0	0			
AB	molla asta $-W_{1AB}(W_{0AB}+XW_{1AB})/k_{AB}$								$1/4Xb/EJ$
	totali							$-5/24Fb^2/EJ$	$35/12Xb/EJ$
	iperstatica $X=W_{AB}$							$1/14Fb$	

Sviluppi di calcolo iperstatica

$$L_{AB}^{xx} = \int_0^b (1 - 2x/b + x^2/b^2) \cdot 1/EJ \, dx + 1 \cdot 1/4 \cdot b/EJ = \left[x - x^2/b + 1/3 x^3/b^2 \right]_0^b \cdot 1/EJ + 1 \cdot 1/4 \cdot b/EJ$$

$$= (b - b + 1/3 b) \cdot 1/EJ + 1 \cdot 1/4 \cdot b/EJ = 7/12 \cdot b/EJ$$

$$L_{BA}^{xx} = \int_0^b (x^2/b^2) \cdot 1/EJ \, dx + 1 \cdot 1/4 \cdot b/EJ = \left[1/3 x^3/b^2 \right]_0^b \cdot 1/EJ + 1 \cdot 1/4 \cdot b/EJ$$

$$= (1/3 b) \cdot 1/EJ + 1 \cdot 1/4 \cdot b/EJ = 7/12 \cdot b/EJ$$

$$L_{AD}^{xx} = \int_0^{2b} (1) \cdot 1/EJ \, dx = \left[x \right]_0^{2b} \cdot 1/EJ$$

$$= (2b) \cdot 1/EJ = 2 \cdot b/EJ$$

$$L_{DA}^{xx} = \int_0^{2b} (1) \cdot 1/EJ \, dx = \left[x \right]_0^{2b} \cdot 1/EJ$$

$$= (2b) \cdot 1/EJ = 2 \cdot b/EJ$$

$$L_{DE}^{xx} = \int_0^b (1 - 2x/b + x^2/b^2) \cdot 1/EJ \, dx = \left[x - x^2/b + 1/3 x^3/b^2 \right]_0^b \cdot 1/EJ$$

$$= (b - b + 1/3 b) \cdot 1/EJ = 1/3 \cdot b/EJ$$

$$L_{ED}^{xx} = \int_0^b (x^2/b^2) \cdot 1/EJ \, dx = \left[1/3 x^3/b^2 \right]_0^b \cdot 1/EJ$$

$$= (1/3 b) \cdot 1/EJ = 1/3 \cdot b/EJ$$

$$L_{AB}^{xo} = \int_0^b (3/2 x/b - x^2/b^2 - 1/2 x^3/b^3) \cdot Fb \cdot 1/EJ \, dx + 1 \cdot 0 \cdot 1/4 \cdot Fb^2/EJ$$

$$= \left[3/4 x^2/b - 1/3 x^3/b^2 - 1/8 x^4/b^3 \right]_0^b \cdot Fb \cdot 1/EJ + 1 \cdot 0 \cdot 1/4 \cdot Fb^2/EJ$$

$$= (3/4 b - 1/3 b - 1/8 b) \cdot Fb \cdot 1/EJ + 1 \cdot 0 \cdot 1/4 \cdot Fb^2/EJ = 7/24 \cdot Fb^2/EJ$$

$$L_{BA}^{xo} = \int_0^b (2x/b - 5/2 x^2/b^2 + 1/2 x^3/b^3) \cdot Fb \cdot 1/EJ \, dx + 1 \cdot 0 \cdot 1/4 \cdot Fb^2/EJ$$

$$= \left[x^2/b - 5/6 x^3/b^2 + 1/8 x^4/b^3 \right]_0^b \cdot Fb \cdot 1/EJ + 1 \cdot 0 \cdot 1/4 \cdot Fb^2/EJ$$

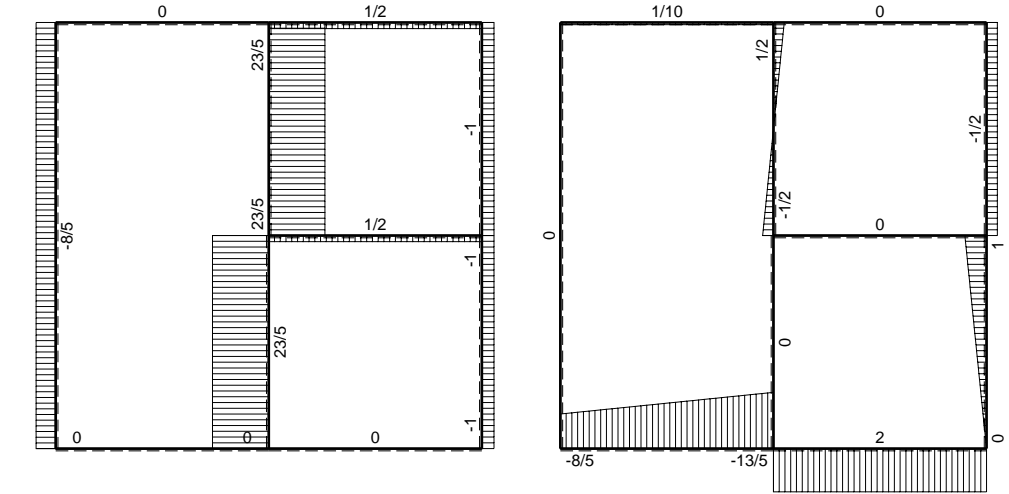
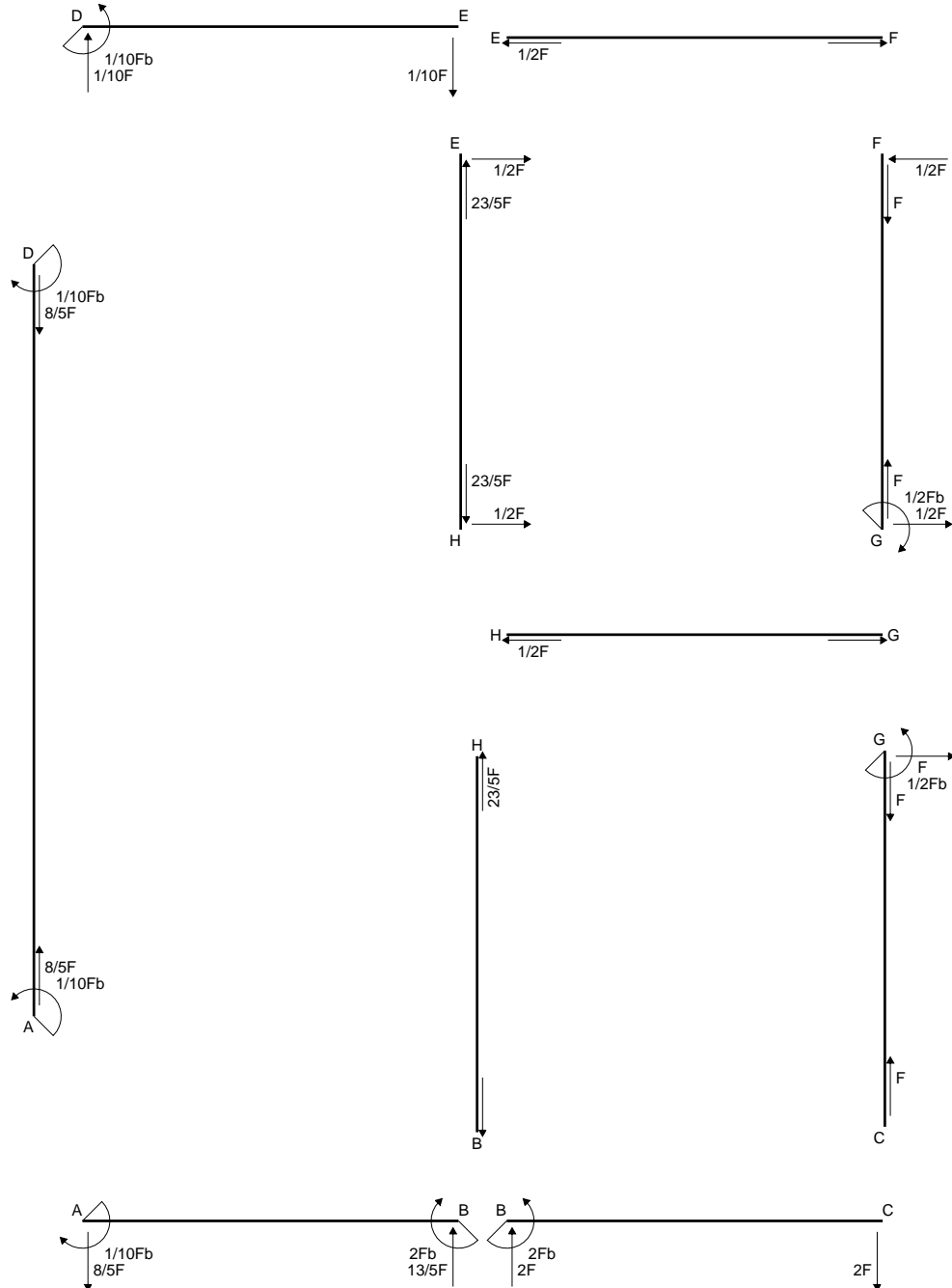
$$= (b - 5/6 b + 1/8 b) \cdot Fb \cdot 1/EJ + 1 \cdot 0 \cdot 1/4 \cdot Fb^2/EJ = 7/24 \cdot Fb^2/EJ$$

$$L_{DE}^{xo} = \int_0^b (-1 + x/b) \cdot \theta \, dx = \left[-x + 1/2 x^2/b \right]_0^b \cdot \theta$$

$$= (-b + 1/2 b) \cdot \theta = -1/2 \cdot Fb^2/EJ$$

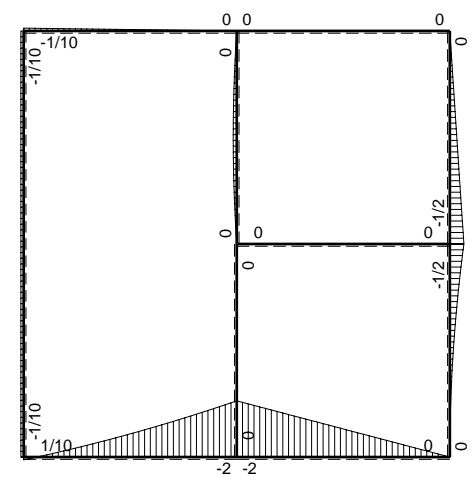
$$L_{ED}^{xo} = \int_0^b (x/b) \cdot \theta \, dx = \left[1/2 x^2/b \right]_0^b \cdot \theta$$

$$= (1/2 b) \cdot \theta = -1/2 \cdot Fb^2/EJ$$

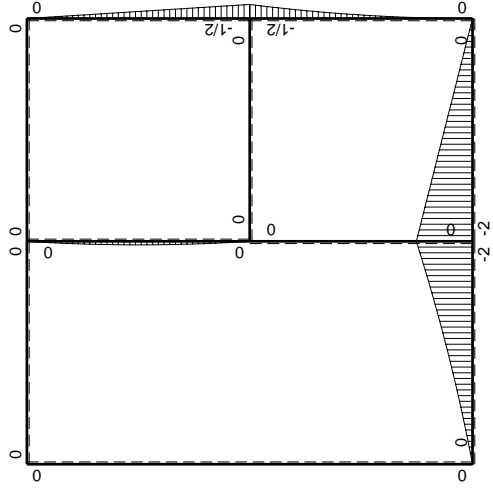
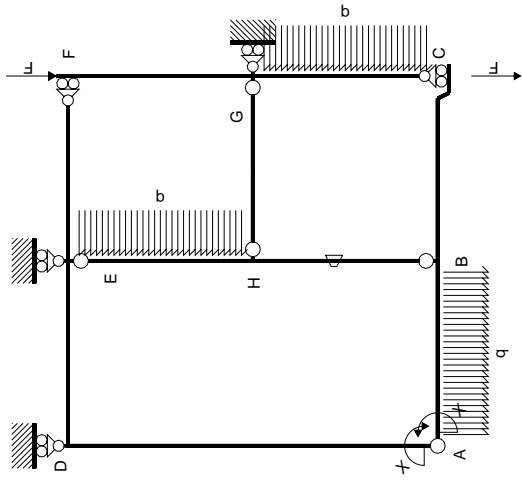


← ⊕ → F

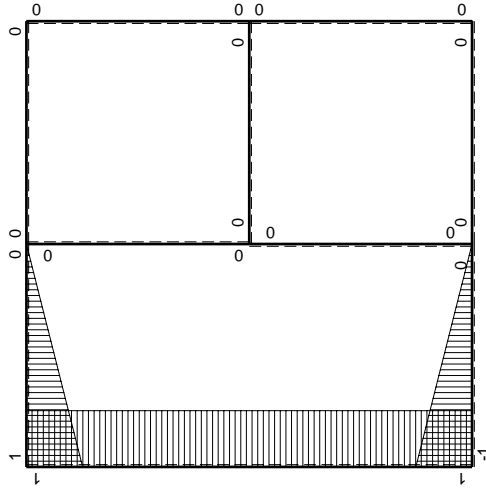
↑ ⊕ ↓ F



⊕ ⊖ Fb



M_0 flessione da carichi assegnati



M_x flessione da iperstatica $X=1$

Quadro contributi PLV per iperstatica $X=W_{AB}$

→	$M_x(x)$	$M_o(x)$	θ	$M_x M_o$	$M_x \theta$	$M_x M_x$	$\int M_x(M_o/EJ+\theta)dx$	$\int X M_x M_x/EJ dx$	
AB b	$-1+x/b$	$-3/2Fx-1/2qx^2$	0	$3/2Fx-Fx^2/b-1/2qx^3/b$	0	$1-2x/b+x^2/b^2$	$(7/24+0)Fb^2/EJ$	$1/3Xb/EJ$	
BA b	x/b	$2Fb-5/2Fx+1/2qx^2$	0	$2Fx-5/2Fx^2/b+1/2qx^3/b$	0	x^2/b^2			
BC b	0	$-2Fb+2Fx$	0	0	0	0	0+0	0	
CB b	0	$2Fx$	0	0	0	0			
AD 2b	1	0	0	0	0	1	0+0	$2Xb/EJ$	
DA 2b	-1	0	0	0	0	1			
DE b	$1-x/b$	0	0	0	0	$1-2x/b+x^2/b^2$	0+0	$1/3Xb/EJ$	
ED b	$-x/b$	0	0	0	0	x^2/b^2			
EF b	0	0	0	0	0	0	0+0	0	
FE b	0	0	0	0	0	0			
FG b	0	$-1/2Fx$	0	0	0	0	0+0	0	
GF b	0	$1/2Fb-1/2Fx$	0	0	0	0			
GC b	0	$-1/2Fb+Fx-1/2qx^2$	0	0	0	0	0+0	0	
CG b	0	$1/2qx^2$	0	0	0	0			
HG b	0	0	0	0	0	0	0+0	0	
GH b	0	0	0	0	0	0			
HB b	0	0	$-Fb/EJ$	0	0	0	0+0	0	
BH b	0	0	Fb/EJ	0	0	0			
HE b	0	$-1/2Fx+1/2qx^2$	0	0	0	0	0+0	0	
EH b	0	$1/2Fx-1/2qx^2$	0	0	0	0			
AB	molla asta $-W_{1AB} (W_{0AB} + XW_{1AB})/k_{AB}$								$1/4Xb/EJ$
	totali							$7/24Fb^2/EJ$	$35/12Xb/EJ$
	iperstatica $X=W_{AB}$							$-1/10Fb$	

Sviluppi di calcolo iperstatica

$$L_{AB}^{xx} = \int_0^b (1 - 2x/b + x^2/b^2) \frac{1}{EJ} dx + 1 \cdot 1/4 \cdot b/EJ = \left[x - x^2/b + 1/3 x^3/b^2 \right]_0^b \frac{1}{EJ} + 1 \cdot 1/4 \cdot b/EJ$$

$$= (b - b + 1/3 b) \frac{1}{EJ} + 1 \cdot 1/4 \cdot b/EJ = 7/12 \cdot b/EJ$$

$$L_{BA}^{xx} = \int_0^b (x^2/b^2) \frac{1}{EJ} dx + 1 \cdot 1/4 \cdot b/EJ = \left[1/3 x^3/b^2 \right]_0^b \frac{1}{EJ} + 1 \cdot 1/4 \cdot b/EJ$$

$$= (1/3 b) \frac{1}{EJ} + 1 \cdot 1/4 \cdot b/EJ = 7/12 \cdot b/EJ$$

$$L_{AD}^{xx} = \int_0^{2b} (1) \frac{1}{EJ} dx = \left[x \right]_0^{2b} \frac{1}{EJ}$$

$$= (2b) \frac{1}{EJ} = 2 \cdot b/EJ$$

$$L_{DA}^{xx} = \int_0^{2b} (1) \frac{1}{EJ} dx = \left[x \right]_0^{2b} \frac{1}{EJ}$$

$$= (2b) \frac{1}{EJ} = 2 \cdot b/EJ$$

$$L_{DE}^{xx} = \int_0^b (1 - 2x/b + x^2/b^2) \frac{1}{EJ} dx = \left[x - x^2/b + 1/3 x^3/b^2 \right]_0^b \frac{1}{EJ}$$

$$= (b - b + 1/3 b) \frac{1}{EJ} = 1/3 \cdot b/EJ$$

$$L_{ED}^{xx} = \int_0^b (x^2/b^2) \frac{1}{EJ} dx = \left[1/3 x^3/b^2 \right]_0^b \frac{1}{EJ}$$

$$= (1/3 b) \frac{1}{EJ} = 1/3 \cdot b/EJ$$

$$L_{AB}^{xo} = \int_0^b (3/2 x/b - x^2/b^2 - 1/2 x^3/b^3) Fb \frac{1}{EJ} dx + 1 \cdot 0 \cdot 1/4 \cdot Fb^2/EJ$$

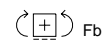
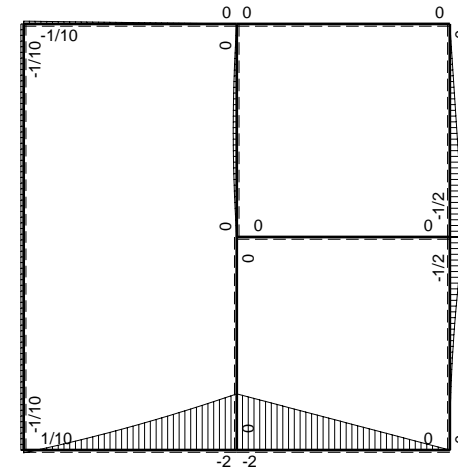
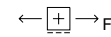
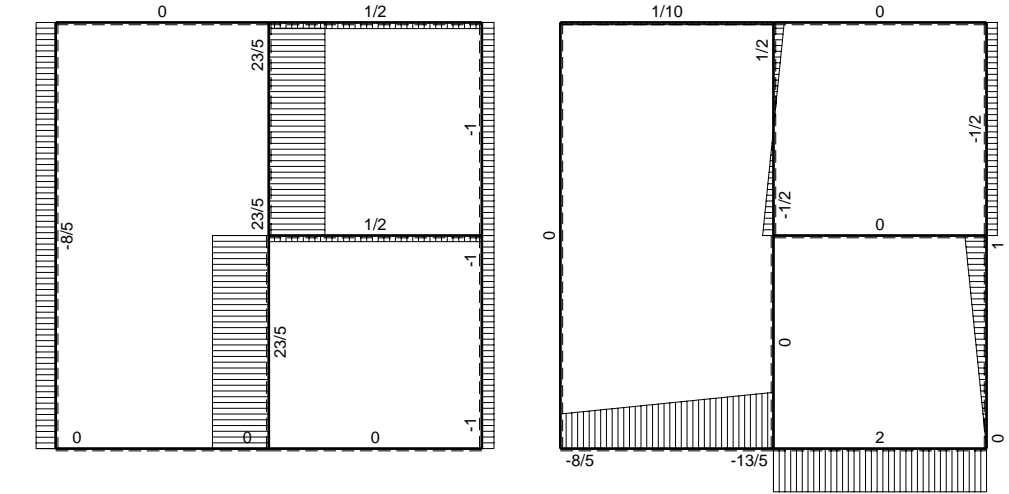
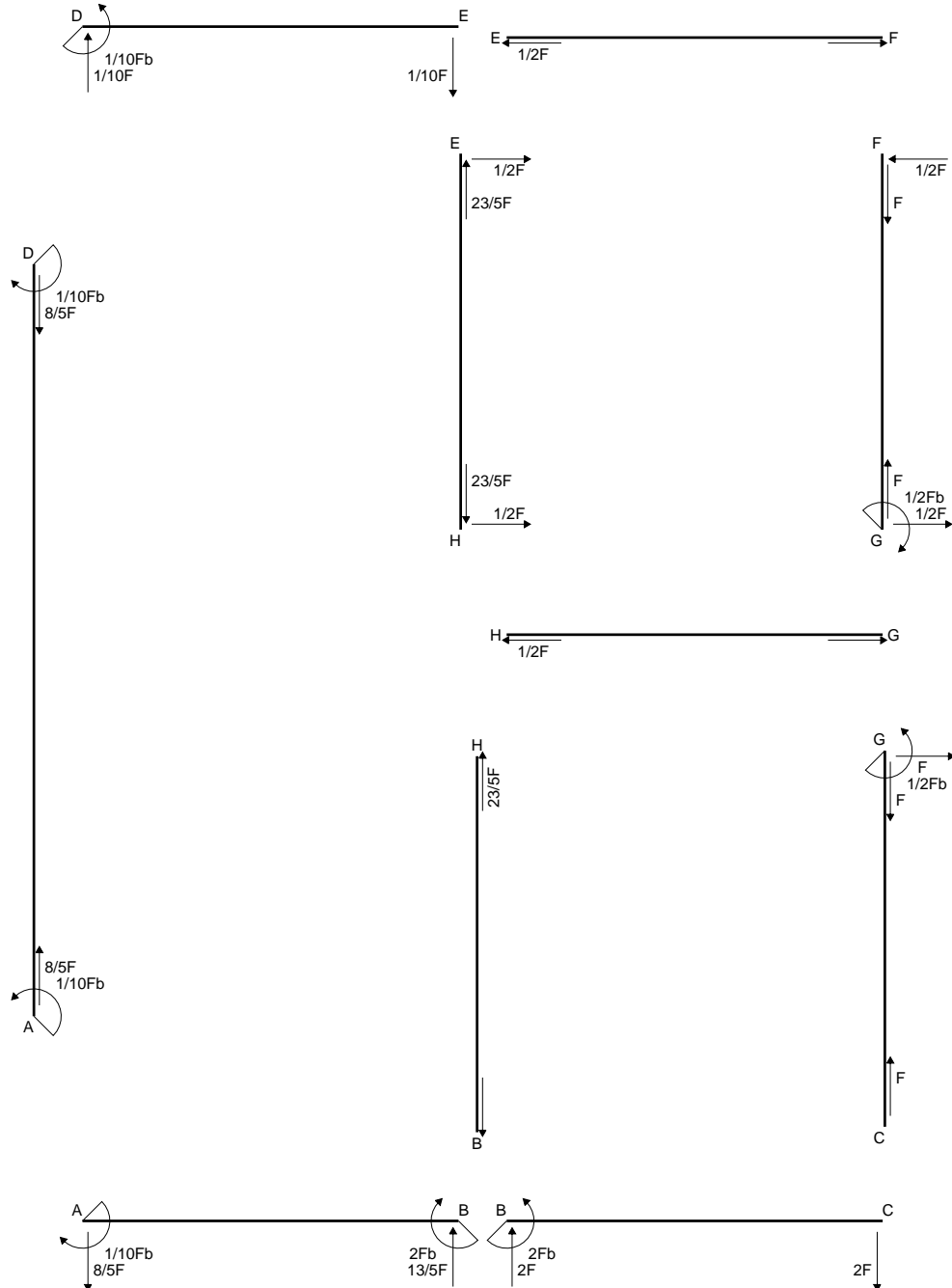
$$= \left[3/4 x^2/b - 1/3 x^3/b^2 - 1/8 x^4/b^3 \right]_0^b Fb \frac{1}{EJ} + 1 \cdot 0 \cdot 1/4 \cdot Fb^2/EJ$$

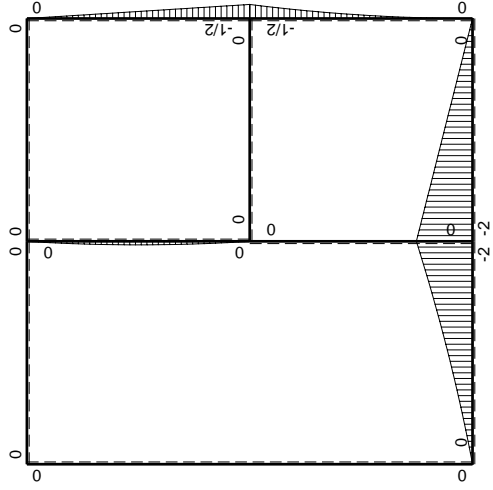
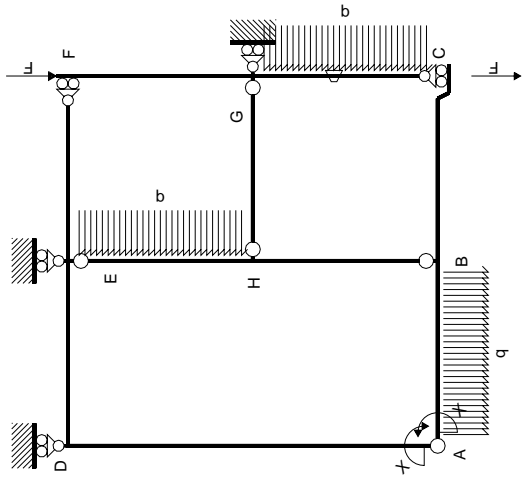
$$= (3/4 b - 1/3 b - 1/8 b) Fb \frac{1}{EJ} + 1 \cdot 0 \cdot 1/4 \cdot Fb^2/EJ = 7/24 \cdot Fb^2/EJ$$

$$L_{BA}^{xo} = \int_0^b (2x/b - 5/2 x^2/b^2 + 1/2 x^3/b^3) Fb \frac{1}{EJ} dx + 1 \cdot 0 \cdot 1/4 \cdot Fb^2/EJ$$

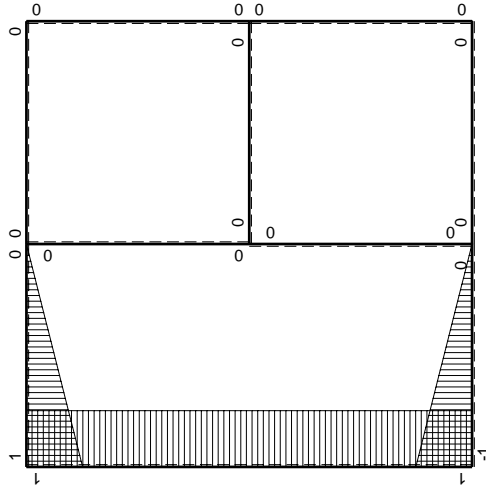
$$= \left[x^2/b - 5/6 x^3/b^2 + 1/8 x^4/b^3 \right]_0^b Fb \frac{1}{EJ} + 1 \cdot 0 \cdot 1/4 \cdot Fb^2/EJ$$

$$= (b - 5/6 b + 1/8 b) Fb \frac{1}{EJ} + 1 \cdot 0 \cdot 1/4 \cdot Fb^2/EJ = 7/24 \cdot Fb^2/EJ$$





M_0 flessione da carichi assegnati



M_x flessione da iperstatica $X=1$

Quadro contributi PLV per iperstatica $X=W_{AB}$

→	$M_x(x)$	$M_o(x)$	θ	$M_x M_o$	$M_x \theta$	$M_x M_x$	$\int M_x(M_o/EJ+\theta)dx$	$\int X M_x M_x/EJ dx$	
AB b	$-1+x/b$	$-3/2Fx-1/2qx^2$	0	$3/2Fx-Fx^2/b-1/2qx^3/b$	0	$1-2x/b+x^2/b^2$	$(7/24+0)Fb^2/EJ$	$1/3Xb/EJ$	
BA b	x/b	$2Fb-5/2Fx+1/2qx^2$	0	$2Fx-5/2Fx^2/b+1/2qx^3/b$	0	x^2/b^2			
BC b	0	$-2Fb+2Fx$	0	0	0	0	0+0	0	
CB b	0	$2Fx$	0	0	0	0			
AD 2b	1	0	0	0	0	1	0+0	$2Xb/EJ$	
DA 2b	-1	0	0	0	0	1			
DE b	$1-x/b$	0	0	0	0	$1-2x/b+x^2/b^2$	0+0	$1/3Xb/EJ$	
ED b	$-x/b$	0	0	0	0	x^2/b^2			
EF b	0	0	0	0	0	0	0+0	0	
FE b	0	0	0	0	0	0			
FG b	0	$-1/2Fx$	0	0	0	0	0+0	0	
GF b	0	$1/2Fb-1/2Fx$	0	0	0	0			
GC b	0	$-1/2Fb+Fx-1/2qx^2$	$-Fb/EJ$	0	0	0	0+0	0	
CG b	0	$1/2qx^2$	Fb/EJ	0	0	0			
HG b	0	0	0	0	0	0	0+0	0	
GH b	0	0	0	0	0	0			
HB b	0	0	0	0	0	0	0+0	0	
BH b	0	0	0	0	0	0			
HE b	0	$-1/2Fx+1/2qx^2$	0	0	0	0	0+0	0	
EH b	0	$1/2Fx-1/2qx^2$	0	0	0	0			
AB	molla asta $-W_{1AB}(W_{0AB}+XW_{1AB})/k_{AB}$								$1/4Xb/EJ$
	totali							$7/24Fb^2/EJ$	$35/12Xb/EJ$
	iperstatica $X=W_{AB}$							$-1/10Fb$	

Sviluppi di calcolo iperstatica

$$L_{AB}^{xx} = \int_0^b (1 - 2x/b + x^2/b^2) \frac{1}{EJ} dx + 1 \cdot 1 \cdot \frac{1}{4} \frac{b}{EJ} = \left[x - \frac{x^2}{b} + \frac{1}{3} \frac{x^3}{b^2} \right]_0^b \frac{1}{EJ} + 1 \cdot 1 \cdot \frac{1}{4} \frac{b}{EJ}$$

$$= (b - b + \frac{1}{3}b) \frac{1}{EJ} + 1 \cdot 1 \cdot \frac{1}{4} \frac{b}{EJ} = \frac{7}{12} \frac{b}{EJ}$$

$$L_{BA}^{xx} = \int_0^b (x^2/b^2) \frac{1}{EJ} dx + 1 \cdot 1 \cdot \frac{1}{4} \frac{b}{EJ} = \left[\frac{1}{3} \frac{x^3}{b^2} \right]_0^b \frac{1}{EJ} + 1 \cdot 1 \cdot \frac{1}{4} \frac{b}{EJ}$$

$$= (\frac{1}{3}b) \frac{1}{EJ} + 1 \cdot 1 \cdot \frac{1}{4} \frac{b}{EJ} = \frac{7}{12} \frac{b}{EJ}$$

$$L_{AD}^{xx} = \int_0^{2b} (1) \frac{1}{EJ} dx = \left[x \right]_0^{2b} \frac{1}{EJ}$$

$$= (2b) \frac{1}{EJ} = 2 \frac{b}{EJ}$$

$$L_{DA}^{xx} = \int_0^{2b} (1) \frac{1}{EJ} dx = \left[x \right]_0^{2b} \frac{1}{EJ}$$

$$= (2b) \frac{1}{EJ} = 2 \frac{b}{EJ}$$

$$L_{DE}^{xx} = \int_0^b (1 - 2x/b + x^2/b^2) \frac{1}{EJ} dx = \left[x - \frac{x^2}{b} + \frac{1}{3} \frac{x^3}{b^2} \right]_0^b \frac{1}{EJ}$$

$$= (b - b + \frac{1}{3}b) \frac{1}{EJ} = \frac{1}{3} \frac{b}{EJ}$$

$$L_{ED}^{xx} = \int_0^b (x^2/b^2) \frac{1}{EJ} dx = \left[\frac{1}{3} \frac{x^3}{b^2} \right]_0^b \frac{1}{EJ}$$

$$= (\frac{1}{3}b) \frac{1}{EJ} = \frac{1}{3} \frac{b}{EJ}$$

$$L_{AB}^{xo} = \int_0^b (3/2 x/b - x^2/b^2 - 1/2 x^3/b^3) Fb \frac{1}{EJ} dx + 1 \cdot 0 \cdot \frac{1}{4} \frac{Fb^2}{EJ}$$

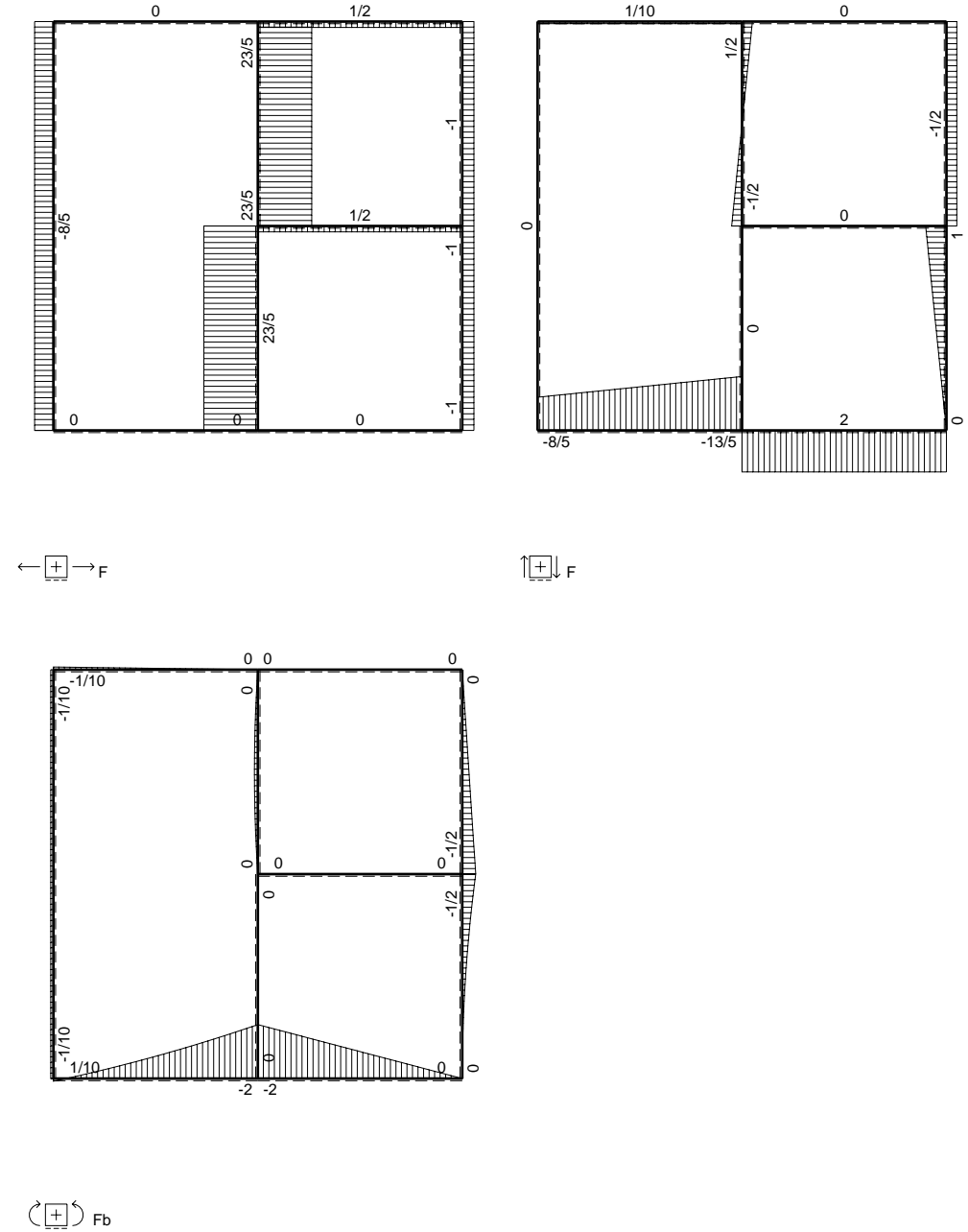
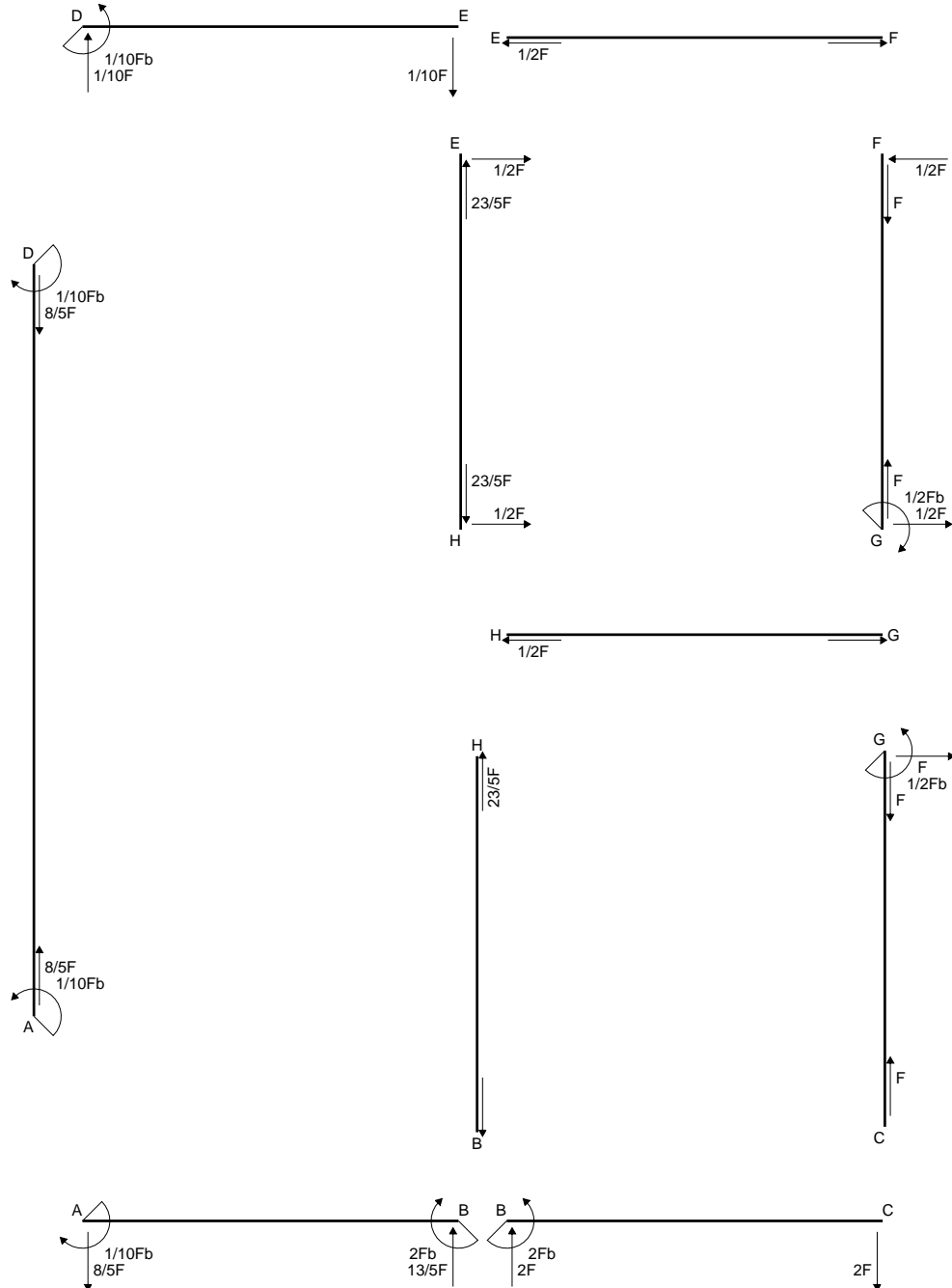
$$= \left[\frac{3}{4} \frac{x^2}{b} - \frac{1}{3} \frac{x^3}{b^2} - \frac{1}{8} \frac{x^4}{b^3} \right]_0^b Fb \frac{1}{EJ} + 1 \cdot 0 \cdot \frac{1}{4} \frac{Fb^2}{EJ}$$

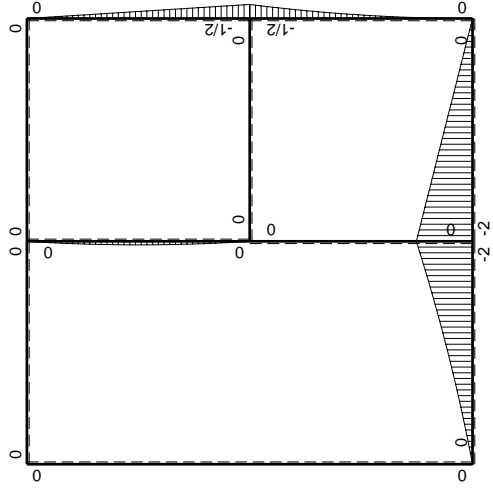
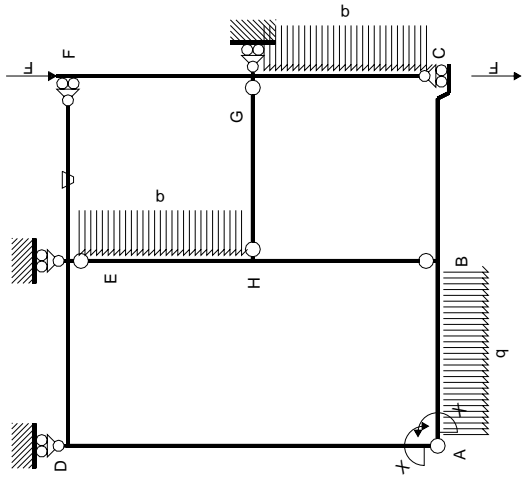
$$= (3/4 b - 1/3 b - 1/8 b) Fb \frac{1}{EJ} + 1 \cdot 0 \cdot \frac{1}{4} \frac{Fb^2}{EJ} = \frac{7}{24} \frac{Fb^2}{EJ}$$

$$L_{BA}^{xo} = \int_0^b (2x/b - 5/2 x^2/b^2 + 1/2 x^3/b^3) Fb \frac{1}{EJ} dx + 1 \cdot 0 \cdot \frac{1}{4} \frac{Fb^2}{EJ}$$

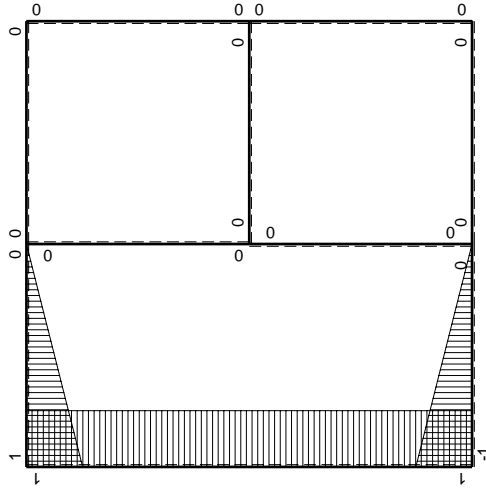
$$= \left[x^2/b - 5/6 x^3/b^2 + 1/8 x^4/b^3 \right]_0^b Fb \frac{1}{EJ} + 1 \cdot 0 \cdot \frac{1}{4} \frac{Fb^2}{EJ}$$

$$= (b - 5/6 b + 1/8 b) Fb \frac{1}{EJ} + 1 \cdot 0 \cdot \frac{1}{4} \frac{Fb^2}{EJ} = \frac{7}{24} \frac{Fb^2}{EJ}$$





M_0 flessione da carichi assegnati



M_X flessione da iperstatica $X=1$

Quadro contributi PLV per iperstatica $X=W_{AB}$

→	$M_x(x)$	$M_o(x)$	θ	$M_x M_o$	$M_x \theta$	$M_x M_x$	$\int M_x(M_o/EJ+\theta)dx$	$\int X M_x M_x/EJ dx$	
AB b	$-1+x/b$	$-3/2Fx-1/2qx^2$	0	$3/2Fx-Fx^2/b-1/2qx^3/b$	0	$1-2x/b+x^2/b^2$	$(7/24+0)Fb^2/EJ$	$1/3Xb/EJ$	
BA b	x/b	$2Fb-5/2Fx+1/2qx^2$	0	$2Fx-5/2Fx^2/b+1/2qx^3/b$	0	x^2/b^2			
BC b	0	$-2Fb+2Fx$	0	0	0	0	0+0	0	
CB b	0	$2Fx$	0	0	0	0			
AD 2b	1	0	0	0	0	1	0+0	$2Xb/EJ$	
DA 2b	-1	0	0	0	0	1			
DE b	$1-x/b$	0	0	0	0	$1-2x/b+x^2/b^2$	0+0	$1/3Xb/EJ$	
ED b	$-x/b$	0	0	0	0	x^2/b^2			
EF b	0	0	$-Fb/EJ$	0	0	0	0+0	0	
FE b	0	0	Fb/EJ	0	0	0			
FG b	0	$-1/2Fx$	0	0	0	0	0+0	0	
GF b	0	$1/2Fb-1/2Fx$	0	0	0	0			
GC b	0	$-1/2Fb+Fx-1/2qx^2$	0	0	0	0	0+0	0	
CG b	0	$1/2qx^2$	0	0	0	0			
HG b	0	0	0	0	0	0	0+0	0	
GH b	0	0	0	0	0	0			
HB b	0	0	0	0	0	0	0+0	0	
BH b	0	0	0	0	0	0			
HE b	0	$-1/2Fx+1/2qx^2$	0	0	0	0	0+0	0	
EH b	0	$1/2Fx-1/2qx^2$	0	0	0	0			
AB	molla asta $-W_{1AB}(W_{0AB}+XW_{1AB})/k_{AB}$								$1/4Xb/EJ$
	totali							$7/24Fb^2/EJ$	$35/12Xb/EJ$
	iperstatica $X=W_{AB}$							$-1/10Fb$	

Sviluppi di calcolo iperstatica

$$L_{AB}^{xx} = \int_0^b (1 - 2x/b + x^2/b^2) \frac{1}{EJ} dx + 1 \cdot 1/4 \cdot b/EJ = \left[x - x^2/b + 1/3 x^3/b^2 \right]_0^b \frac{1}{EJ} + 1 \cdot 1/4 \cdot b/EJ$$

$$= (b - b + 1/3 b) \frac{1}{EJ} + 1 \cdot 1/4 \cdot b/EJ = 7/12 \cdot b/EJ$$

$$L_{BA}^{xx} = \int_0^b (x^2/b^2) \frac{1}{EJ} dx + 1 \cdot 1/4 \cdot b/EJ = \left[1/3 x^3/b^2 \right]_0^b \frac{1}{EJ} + 1 \cdot 1/4 \cdot b/EJ$$

$$= (1/3 b) \frac{1}{EJ} + 1 \cdot 1/4 \cdot b/EJ = 7/12 \cdot b/EJ$$

$$L_{AD}^{xx} = \int_0^{2b} (1) \frac{1}{EJ} dx = \left[x \right]_0^{2b} \frac{1}{EJ}$$

$$= (2b) \frac{1}{EJ} = 2 \cdot b/EJ$$

$$L_{DA}^{xx} = \int_0^{2b} (1) \frac{1}{EJ} dx = \left[x \right]_0^{2b} \frac{1}{EJ}$$

$$= (2b) \frac{1}{EJ} = 2 \cdot b/EJ$$

$$L_{DE}^{xx} = \int_0^b (1 - 2x/b + x^2/b^2) \frac{1}{EJ} dx = \left[x - x^2/b + 1/3 x^3/b^2 \right]_0^b \frac{1}{EJ}$$

$$= (b - b + 1/3 b) \frac{1}{EJ} = 1/3 \cdot b/EJ$$

$$L_{ED}^{xx} = \int_0^b (x^2/b^2) \frac{1}{EJ} dx = \left[1/3 x^3/b^2 \right]_0^b \frac{1}{EJ}$$

$$= (1/3 b) \frac{1}{EJ} = 1/3 \cdot b/EJ$$

$$L_{AB}^{xo} = \int_0^b (3/2 x/b - x^2/b^2 - 1/2 x^3/b^3) Fb \frac{1}{EJ} dx + 1 \cdot 0 \cdot 1/4 \cdot Fb^2/EJ$$

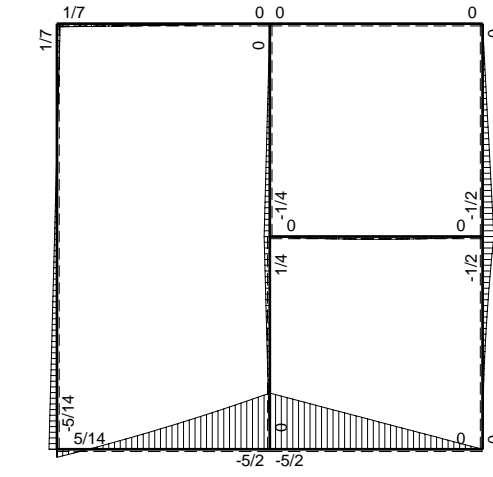
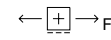
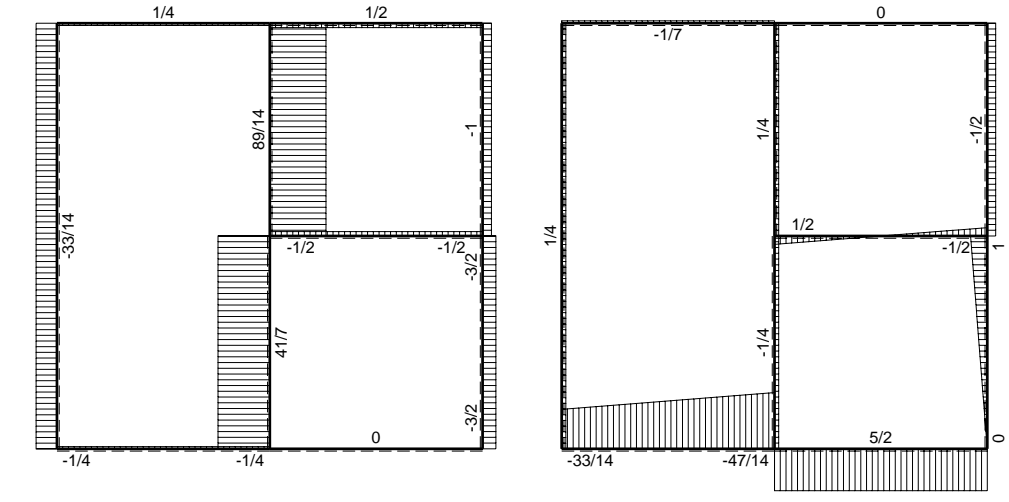
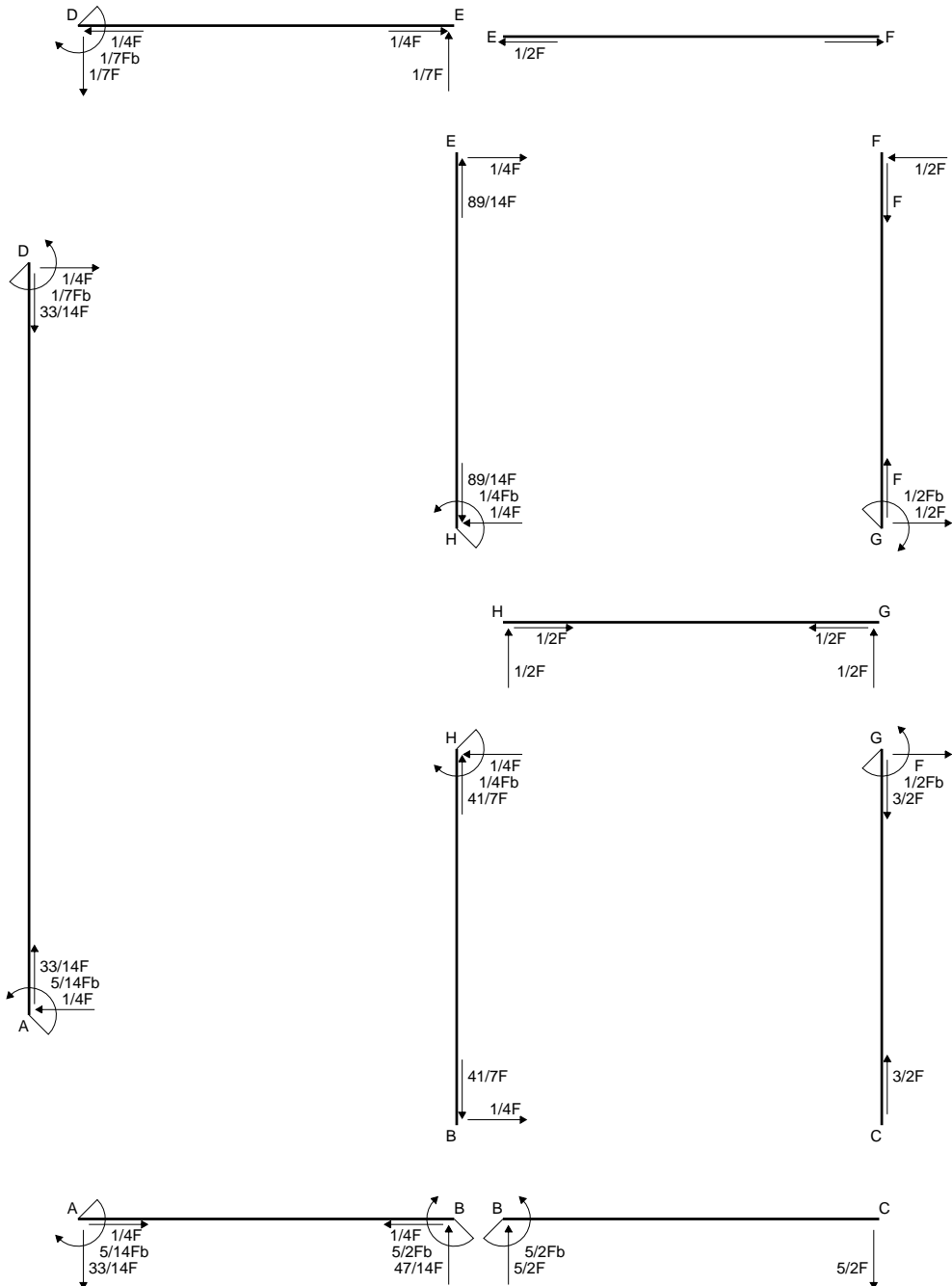
$$= \left[3/4 x^2/b - 1/3 x^3/b^2 - 1/8 x^4/b^3 \right]_0^b Fb \frac{1}{EJ} + 1 \cdot 0 \cdot 1/4 \cdot Fb^2/EJ$$

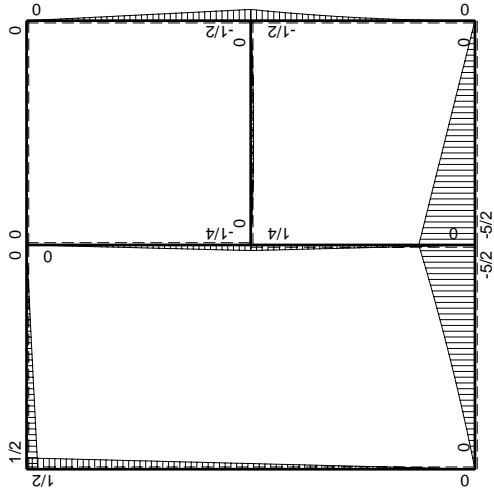
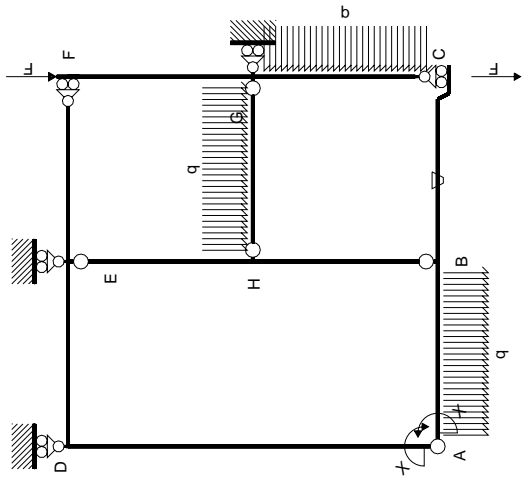
$$= (3/4 b - 1/3 b - 1/8 b) Fb \frac{1}{EJ} + 1 \cdot 0 \cdot 1/4 \cdot Fb^2/EJ = 7/24 \cdot Fb^2/EJ$$

$$L_{BA}^{xo} = \int_0^b (2x/b - 5/2 x^2/b^2 + 1/2 x^3/b^3) Fb \frac{1}{EJ} dx + 1 \cdot 0 \cdot 1/4 \cdot Fb^2/EJ$$

$$= \left[x^2/b - 5/6 x^3/b^2 + 1/8 x^4/b^3 \right]_0^b Fb \frac{1}{EJ} + 1 \cdot 0 \cdot 1/4 \cdot Fb^2/EJ$$

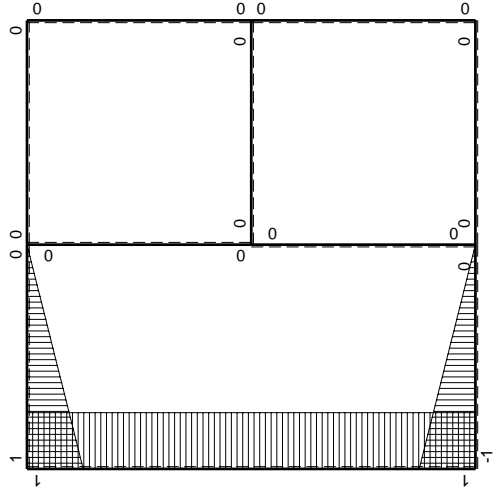
$$= (b - 5/6 b + 1/8 b) Fb \frac{1}{EJ} + 1 \cdot 0 \cdot 1/4 \cdot Fb^2/EJ = 7/24 \cdot Fb^2/EJ$$





Schema di calcolo iperstatico

M_0 flessione da carichi assegnati



M_x flessione da iperstatica $X=1$

Quadro contributi PLV per iperstatica $X=W_{AB}$

→	$M_x(x)$	$M_o(x)$	θ	$M_x M_o$	$M_x \theta$	$M_x M_x$	$\int M_x(M_o/EJ+\theta)dx$	$\int X M_x M_x/EJ dx$	
AB b	$-1+x/b$	$-2Fx-1/2qx^2$	0	$2Fx-3/2Fx^2/b-1/2qx^3/b$	0	$1-2x/b+x^2/b^2$	$(3/8+0)Fb^2/EJ$	$1/3Xb/EJ$	
BA b	x/b	$5/2Fb-3Fx+1/2qx^2$	0	$5/2Fx-3Fx^2/b+1/2qx^3/b$	0	x^2/b^2			
BC b	0	$-5/2Fb+5/2Fx$	$-Fb/EJ$	0	0	0	0+0	0	
CB b	0	$5/2Fx$	Fb/EJ	0	0	0			
AD 2b	1	$1/4Fx$	0	$1/4Fx$	0	1	$(1/2+0)Fb^2/EJ$	$2Xb/EJ$	
DA 2b	-1	$-1/2Fb+1/4Fx$	0	$1/2Fb-1/4Fx$	0	1			
DE b	$1-x/b$	$1/2Fb-1/2Fx$	0	$1/2Fb-Fx+1/2Fx^2/b$	0	$1-2x/b+x^2/b^2$	$(1/6+0)Fb^2/EJ$	$1/3Xb/EJ$	
ED b	$-x/b$	$-1/2Fx$	0	$1/2Fx^2/b$	0	x^2/b^2			
EF b	0	0	0	0	0	0	0+0	0	
FE b	0	0	0	0	0	0			
FG b	0	$-1/2Fx$	0	0	0	0	0+0	0	
GF b	0	$1/2Fb-1/2Fx$	0	0	0	0			
GC b	0	$-1/2Fb+Fx-1/2qx^2$	0	0	0	0	0+0	0	
CG b	0	$1/2qx^2$	0	0	0	0			
HG b	0	$1/2Fx-1/2qx^2$	0	0	0	0	0+0	0	
GH b	0	$-1/2Fx+1/2qx^2$	0	0	0	0			
HB b	0	$1/4Fb-1/4Fx$	0	0	0	0	0+0	0	
BH b	0	$-1/4Fx$	0	0	0	0			
HE b	0	$-1/4Fb+1/4Fx$	0	0	0	0	0+0	0	
EH b	0	$1/4Fx$	0	0	0	0			
AB	molla asta $-W_{1AB}(W_{0AB}+XW_{1AB})/k_{AB}$								$1/4Xb/EJ$
	totali							$25/24Fb^2/EJ$	$35/12Xb/EJ$
	iperstatica $X=W_{AB}$							$-5/14Fb$	

Sviluppi di calcolo iperstatica

$$L_{AB}^{xx} = \int_0^b (1 - 2x/b + x^2/b^2) \cdot 1/EJ \, dx + 1 \cdot 1/4 \cdot b/EJ = \left[x - x^2/b + 1/3 x^3/b^2 \right]_0^b \cdot 1/EJ + 1 \cdot 1/4 \cdot b/EJ$$

$$= (b - b + 1/3 b) \cdot 1/EJ + 1 \cdot 1/4 \cdot b/EJ = 7/12 \cdot b/EJ$$

$$L_{BA}^{xx} = \int_0^b (x^2/b^2) \cdot 1/EJ \, dx + 1 \cdot 1/4 \cdot b/EJ = \left[1/3 x^3/b^2 \right]_0^b \cdot 1/EJ + 1 \cdot 1/4 \cdot b/EJ$$

$$= (1/3 b) \cdot 1/EJ + 1 \cdot 1/4 \cdot b/EJ = 7/12 \cdot b/EJ$$

$$L_{AD}^{xx} = \int_0^{2b} (1) \cdot 1/EJ \, dx = \left[x \right]_0^{2b} \cdot 1/EJ$$

$$= (2b) \cdot 1/EJ = 2 \cdot b/EJ$$

$$L_{DA}^{xx} = \int_0^{2b} (1) \cdot 1/EJ \, dx = \left[x \right]_0^{2b} \cdot 1/EJ$$

$$= (2b) \cdot 1/EJ = 2 \cdot b/EJ$$

$$L_{DE}^{xx} = \int_0^b (1 - 2x/b + x^2/b^2) \cdot 1/EJ \, dx = \left[x - x^2/b + 1/3 x^3/b^2 \right]_0^b \cdot 1/EJ$$

$$= (b - b + 1/3 b) \cdot 1/EJ = 1/3 \cdot b/EJ$$

$$L_{ED}^{xx} = \int_0^b (x^2/b^2) \cdot 1/EJ \, dx = \left[1/3 x^3/b^2 \right]_0^b \cdot 1/EJ$$

$$= (1/3 b) \cdot 1/EJ = 1/3 \cdot b/EJ$$

$$L_{AB}^{xo} = \int_0^b (2x/b - 3/2 x^2/b^2 - 1/2 x^3/b^3) \cdot Fb \cdot 1/EJ \, dx + 1 \cdot 0 \cdot 1/4 \cdot Fb^2/EJ$$

$$= \left[x^2/b - 1/2 x^3/b^2 - 1/8 x^4/b^3 \right]_0^b \cdot Fb \cdot 1/EJ + 1 \cdot 0 \cdot 1/4 \cdot Fb^2/EJ$$

$$= (b - 1/2 b - 1/8 b) \cdot Fb \cdot 1/EJ + 1 \cdot 0 \cdot 1/4 \cdot Fb^2/EJ = 3/8 \cdot Fb^2/EJ$$

$$L_{BA}^{xo} = \int_0^b (5/2 x/b - 3 x^2/b^2 + 1/2 x^3/b^3) \cdot Fb \cdot 1/EJ \, dx + 1 \cdot 0 \cdot 1/4 \cdot Fb^2/EJ$$

$$= \left[5/4 x^2/b - x^3/b^2 + 1/8 x^4/b^3 \right]_0^b \cdot Fb \cdot 1/EJ + 1 \cdot 0 \cdot 1/4 \cdot Fb^2/EJ$$

$$= (5/4 b - b + 1/8 b) \cdot Fb \cdot 1/EJ + 1 \cdot 0 \cdot 1/4 \cdot Fb^2/EJ = 3/8 \cdot Fb^2/EJ$$

$$L_{AD}^{xo} = \int_0^{2b} (1/4 x/b) \cdot Fb \cdot 1/EJ \, dx = \left[1/8 x^2/b \right]_0^{2b} \cdot Fb \cdot 1/EJ$$

$$= (1/2 b) \cdot Fb \cdot 1/EJ = 1/2 \cdot Fb^2/EJ$$

$$L_{DA}^{xo} = \int_0^{2b} (1/2 - 1/4 x/b) \cdot Fb \cdot 1/EJ \, dx = \left[1/2 x - 1/8 x^2/b \right]_0^{2b} \cdot Fb \cdot 1/EJ$$

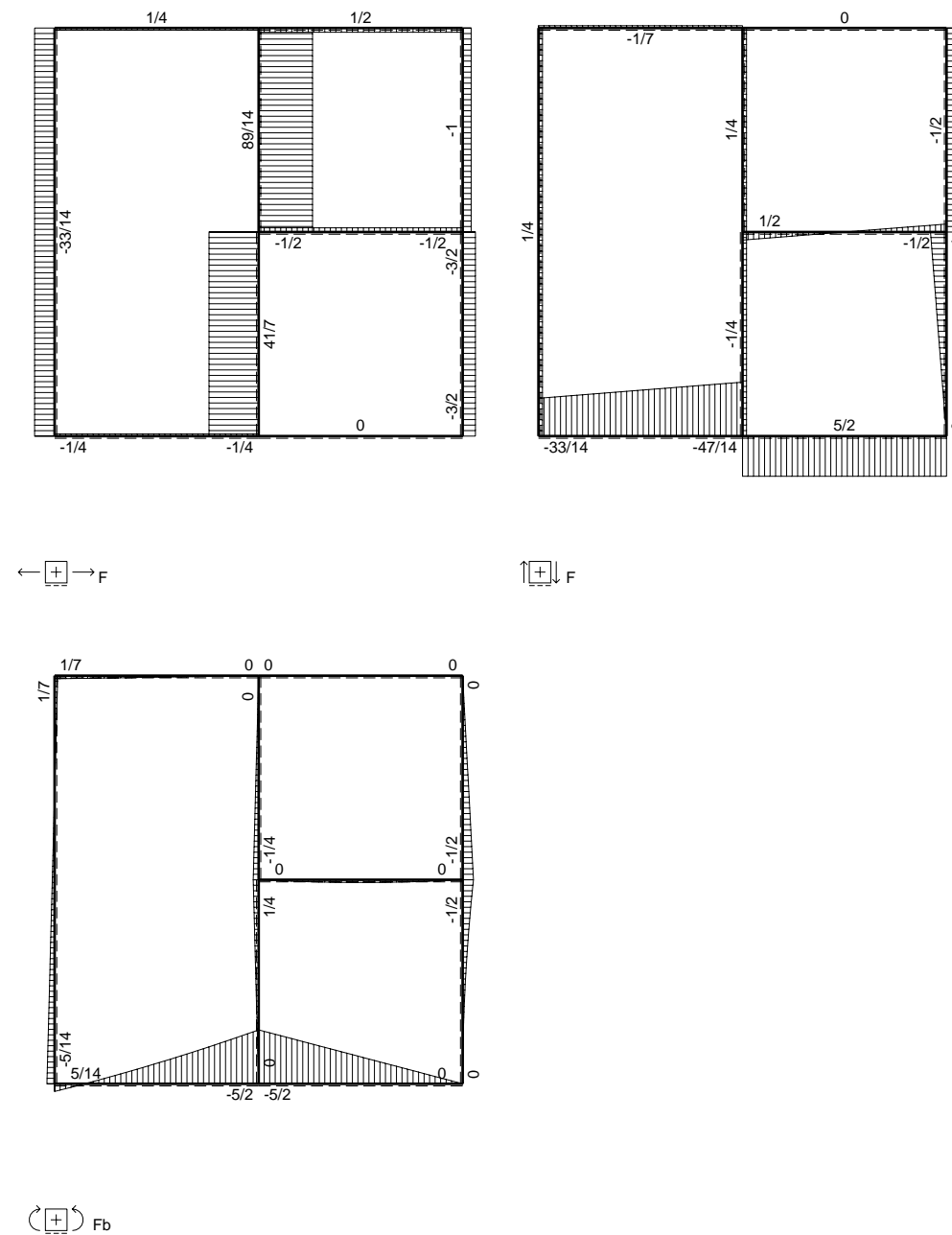
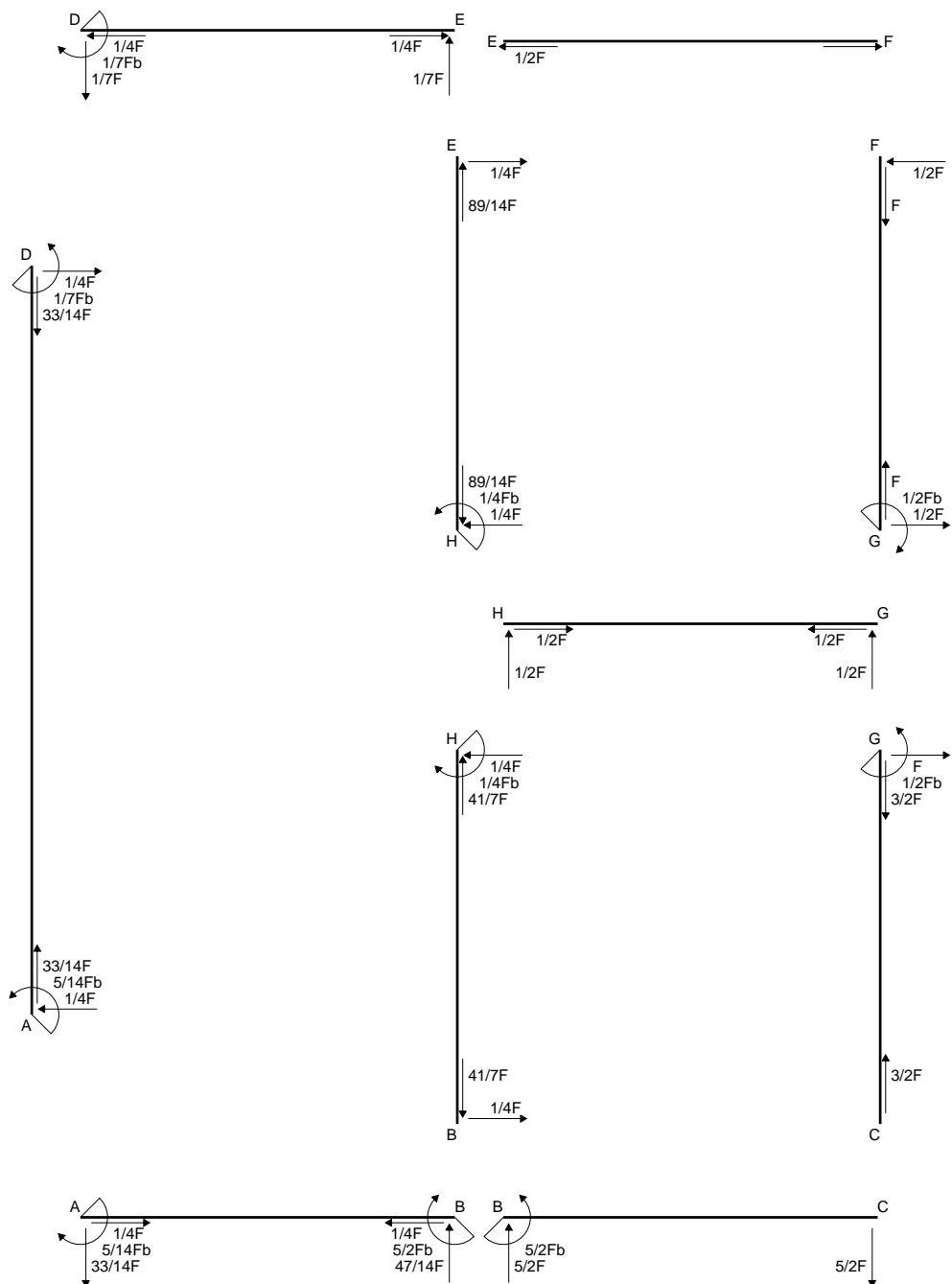
$$= (b - 1/2 b) \cdot Fb \cdot 1/EJ = 1/2 \cdot Fb^2/EJ$$

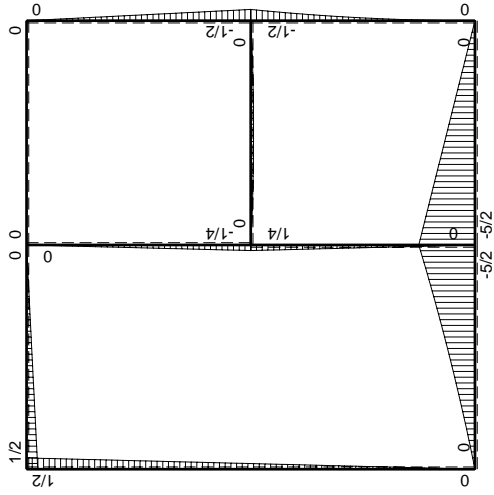
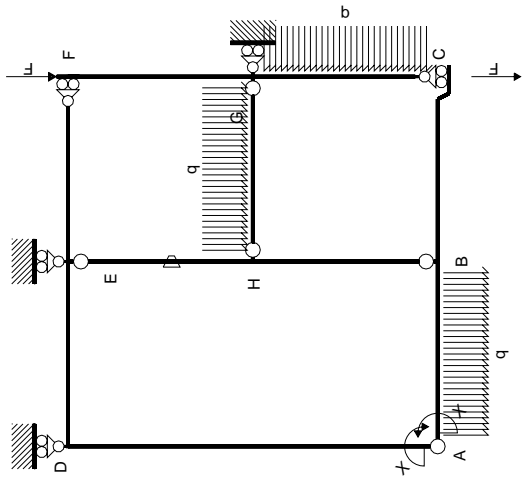
$$L_{DE}^{xo} = \int_0^b (1/2 - x/b + 1/2 x^2/b^2) \cdot Fb \cdot 1/EJ \, dx = \left[1/2 x - 1/2 x^2/b + 1/6 x^3/b^2 \right]_0^b \cdot Fb \cdot 1/EJ$$

$$= (1/2 b - 1/2 b + 1/6 b) \cdot Fb \cdot 1/EJ = 1/6 \cdot Fb^2/EJ$$

$$L_{ED}^{xo} = \int_0^b (1/2 x^2/b^2) \cdot Fb \cdot 1/EJ \, dx = \left[1/6 x^3/b^2 \right]_0^b \cdot Fb \cdot 1/EJ$$

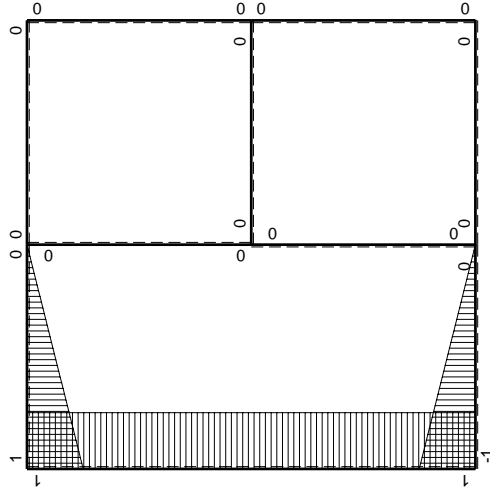
$$= (1/6 b) \cdot Fb \cdot 1/EJ = 1/6 \cdot Fb^2/EJ$$





Schema di calcolo iperstatico

M_0 flessione da carichi assegnati



M_x flessione da iperstatica $X=1$

Quadro contributi PLV per iperstatica $X=W_{AB}$

→	$M_x(x)$	$M_o(x)$	θ	$M_x M_o$	$M_x \theta$	$M_x M_x$	$\int M_x(M_o/EJ+\theta)dx$	$\int X M_x M_x/EJ dx$	
AB b	$-1+x/b$	$-2Fx-1/2qx^2$	0	$2Fx-3/2Fx^2/b-1/2qx^3/b$	0	$1-2x/b+x^2/b^2$	$(3/8+0)Fb^2/EJ$	$1/3Xb/EJ$	
BA b	x/b	$5/2Fb-3Fx+1/2qx^2$	0	$5/2Fx-3Fx^2/b+1/2qx^3/b$	0	x^2/b^2			
BC b	0	$-5/2Fb+5/2Fx$	0	0	0	0	0+0	0	
CB b	0	$5/2Fx$	0	0	0	0			
AD 2b	1	$1/4Fx$	0	$1/4Fx$	0	1	$(1/2+0)Fb^2/EJ$	$2Xb/EJ$	
DA 2b	-1	$-1/2Fb+1/4Fx$	0	$1/2Fb-1/4Fx$	0	1			
DE b	$1-x/b$	$1/2Fb-1/2Fx$	0	$1/2Fb-Fx+1/2Fx^2/b$	0	$1-2x/b+x^2/b^2$	$(1/6+0)Fb^2/EJ$	$1/3Xb/EJ$	
ED b	$-x/b$	$-1/2Fx$	0	$1/2Fx^2/b$	0	x^2/b^2			
EF b	0	0	0	0	0	0	0+0	0	
FE b	0	0	0	0	0	0			
FG b	0	$-1/2Fx$	0	0	0	0	0+0	0	
GF b	0	$1/2Fb-1/2Fx$	0	0	0	0			
GC b	0	$-1/2Fb+Fx-1/2qx^2$	0	0	0	0	0+0	0	
CG b	0	$1/2qx^2$	0	0	0	0			
HG b	0	$1/2Fx-1/2qx^2$	0	0	0	0	0+0	0	
GH b	0	$-1/2Fx+1/2qx^2$	0	0	0	0			
HB b	0	$1/4Fb-1/4Fx$	0	0	0	0	0+0	0	
BH b	0	$-1/4Fx$	0	0	0	0			
HE b	0	$-1/4Fb+1/4Fx$	$-Fb/EJ$	0	0	0	0+0	0	
EH b	0	$1/4Fx$	Fb/EJ	0	0	0			
AB	molla asta $-W_{1AB}(W_{0AB}+XW_{1AB})/k_{AB}$								$1/4Xb/EJ$
	totali							$25/24Fb^2/EJ$	$35/12Xb/EJ$
	iperstatica $X=W_{AB}$							$-5/14Fb$	

Sviluppi di calcolo iperstatica

$$L_{AB}^{xx} = \int_0^b (1 - 2x/b + x^2/b^2) \cdot 1/EJ \, dx + 1 \cdot 1/4 \cdot b/EJ = \left[x - x^2/b + 1/3 x^3/b^2 \right]_0^b \cdot 1/EJ + 1 \cdot 1/4 \cdot b/EJ$$

$$= (b - b + 1/3 b) \cdot 1/EJ + 1 \cdot 1/4 \cdot b/EJ = 7/12 \cdot b/EJ$$

$$L_{BA}^{xx} = \int_0^b (x^2/b^2) \cdot 1/EJ \, dx + 1 \cdot 1/4 \cdot b/EJ = \left[1/3 x^3/b^2 \right]_0^b \cdot 1/EJ + 1 \cdot 1/4 \cdot b/EJ$$

$$= (1/3 b) \cdot 1/EJ + 1 \cdot 1/4 \cdot b/EJ = 7/12 \cdot b/EJ$$

$$L_{AD}^{xx} = \int_0^{2b} (1) \cdot 1/EJ \, dx = \left[x \right]_0^{2b} \cdot 1/EJ$$

$$= (2b) \cdot 1/EJ = 2 \cdot b/EJ$$

$$L_{DA}^{xx} = \int_0^{2b} (1) \cdot 1/EJ \, dx = \left[x \right]_0^{2b} \cdot 1/EJ$$

$$= (2b) \cdot 1/EJ = 2 \cdot b/EJ$$

$$L_{DE}^{xx} = \int_0^b (1 - 2x/b + x^2/b^2) \cdot 1/EJ \, dx = \left[x - x^2/b + 1/3 x^3/b^2 \right]_0^b \cdot 1/EJ$$

$$= (b - b + 1/3 b) \cdot 1/EJ = 1/3 \cdot b/EJ$$

$$L_{ED}^{xx} = \int_0^b (x^2/b^2) \cdot 1/EJ \, dx = \left[1/3 x^3/b^2 \right]_0^b \cdot 1/EJ$$

$$= (1/3 b) \cdot 1/EJ = 1/3 \cdot b/EJ$$

$$L_{AB}^{xo} = \int_0^b (2x/b - 3/2 x^2/b^2 - 1/2 x^3/b^3) \cdot Fb \cdot 1/EJ \, dx + 1 \cdot 0 \cdot 1/4 \cdot Fb^2/EJ$$

$$= \left[x^2/b - 1/2 x^3/b^2 - 1/8 x^4/b^3 \right]_0^b \cdot Fb \cdot 1/EJ + 1 \cdot 0 \cdot 1/4 \cdot Fb^2/EJ$$

$$= (b - 1/2 b - 1/8 b) \cdot Fb \cdot 1/EJ + 1 \cdot 0 \cdot 1/4 \cdot Fb^2/EJ = 3/8 \cdot Fb^2/EJ$$

$$L_{BA}^{xo} = \int_0^b (5/2 x/b - 3 x^2/b^2 + 1/2 x^3/b^3) \cdot Fb \cdot 1/EJ \, dx + 1 \cdot 0 \cdot 1/4 \cdot Fb^2/EJ$$

$$= \left[5/4 x^2/b - x^3/b^2 + 1/8 x^4/b^3 \right]_0^b \cdot Fb \cdot 1/EJ + 1 \cdot 0 \cdot 1/4 \cdot Fb^2/EJ$$

$$= (5/4 b - b + 1/8 b) \cdot Fb \cdot 1/EJ + 1 \cdot 0 \cdot 1/4 \cdot Fb^2/EJ = 3/8 \cdot Fb^2/EJ$$

$$L_{AD}^{xo} = \int_0^{2b} (1/4 x/b) \cdot Fb \cdot 1/EJ \, dx = \left[1/8 x^2/b \right]_0^{2b} \cdot Fb \cdot 1/EJ$$

$$= (1/2 b) \cdot Fb \cdot 1/EJ = 1/2 \cdot Fb^2/EJ$$

$$L_{DA}^{xo} = \int_0^{2b} (1/2 - 1/4 x/b) \cdot Fb \cdot 1/EJ \, dx = \left[1/2 x - 1/8 x^2/b \right]_0^{2b} \cdot Fb \cdot 1/EJ$$

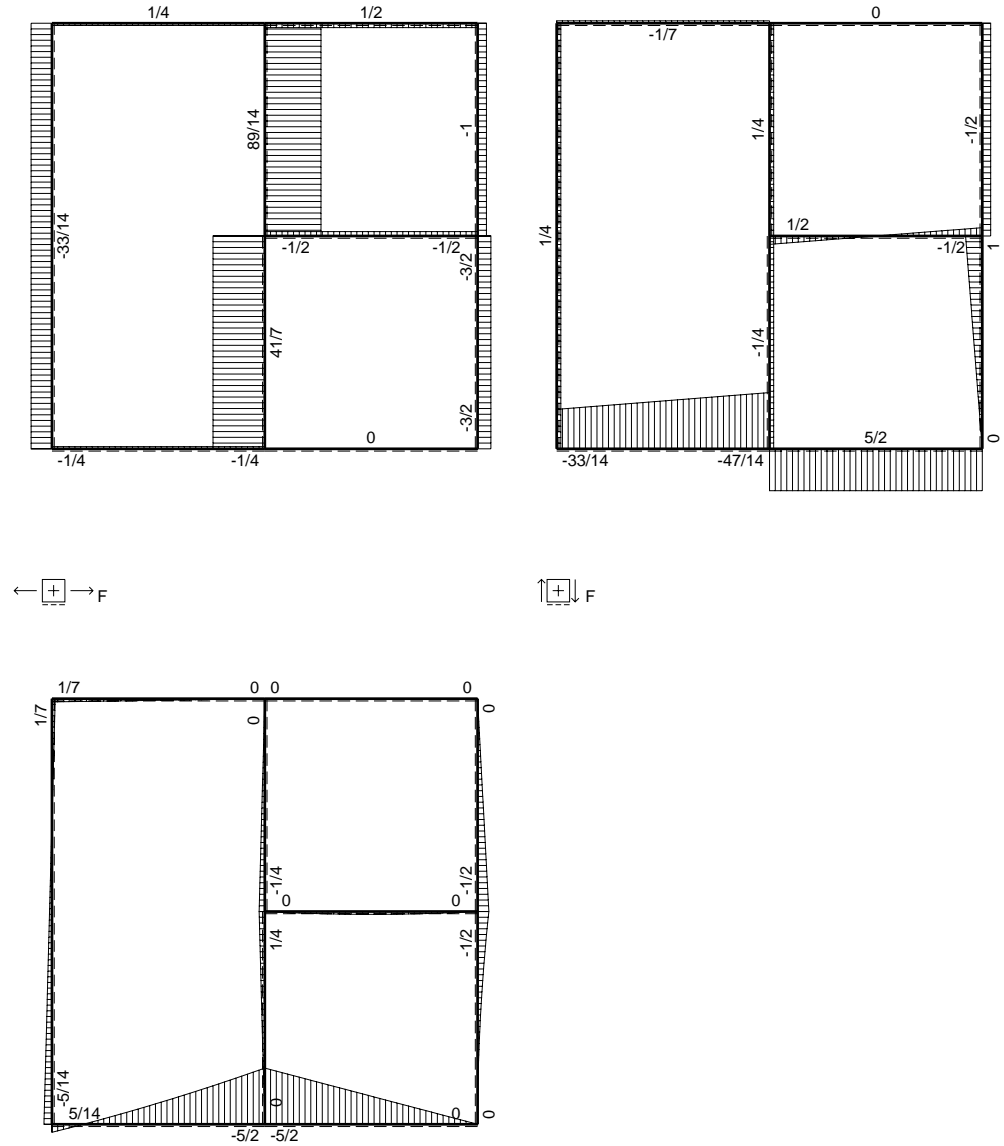
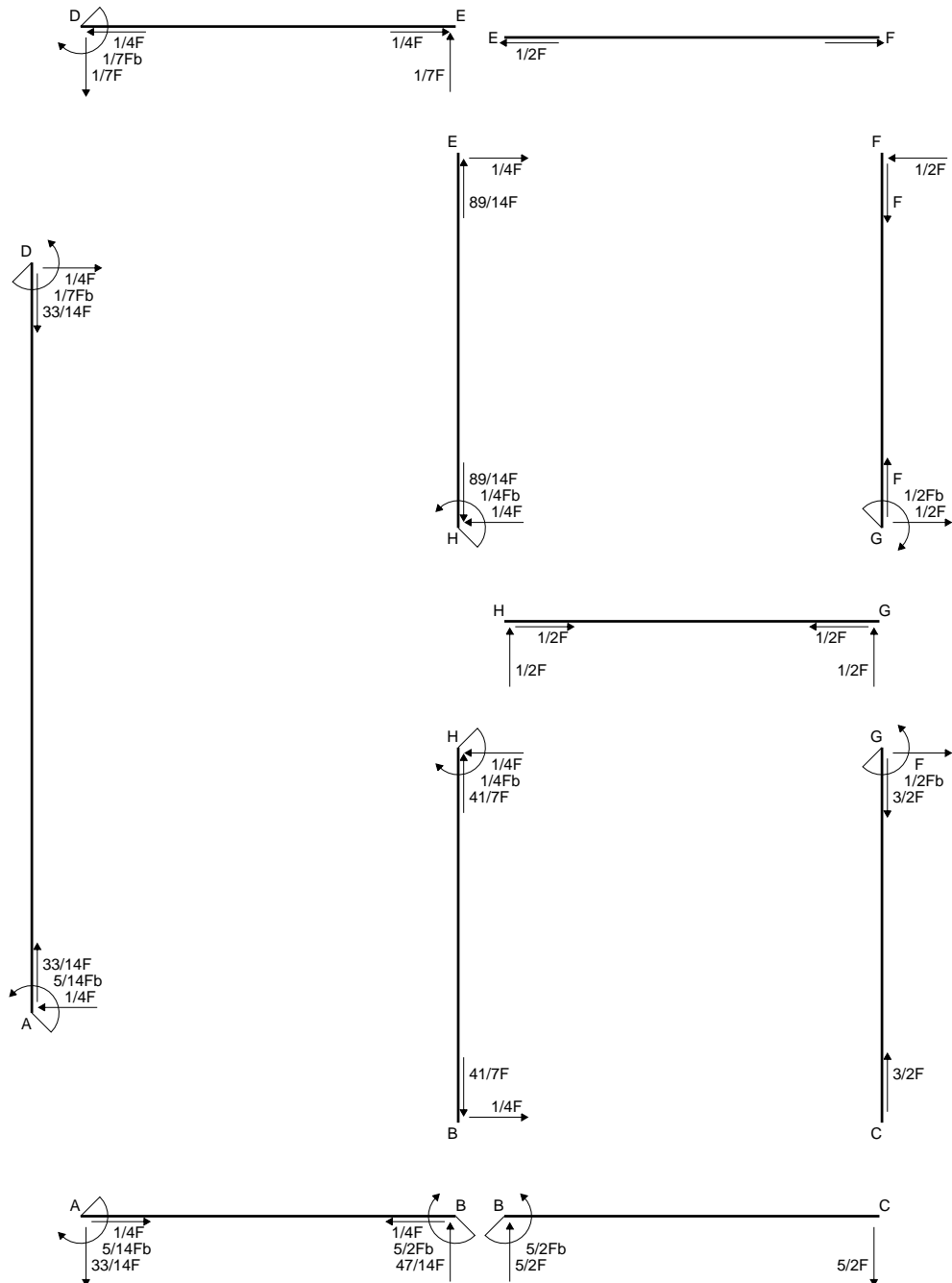
$$= (b - 1/2 b) \cdot Fb \cdot 1/EJ = 1/2 \cdot Fb^2/EJ$$

$$L_{DE}^{xo} = \int_0^b (1/2 - x/b + 1/2 x^2/b^2) \cdot Fb \cdot 1/EJ \, dx = \left[1/2 x - 1/2 x^2/b + 1/6 x^3/b^2 \right]_0^b \cdot Fb \cdot 1/EJ$$

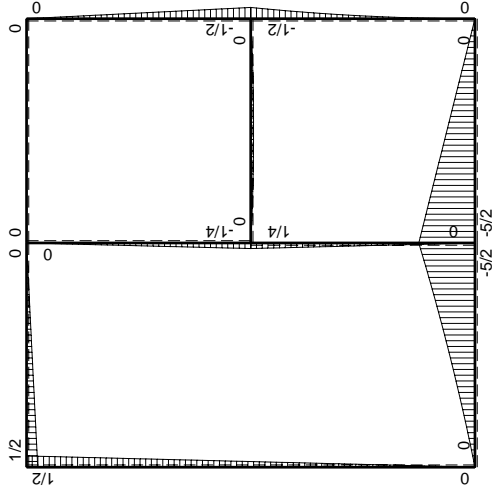
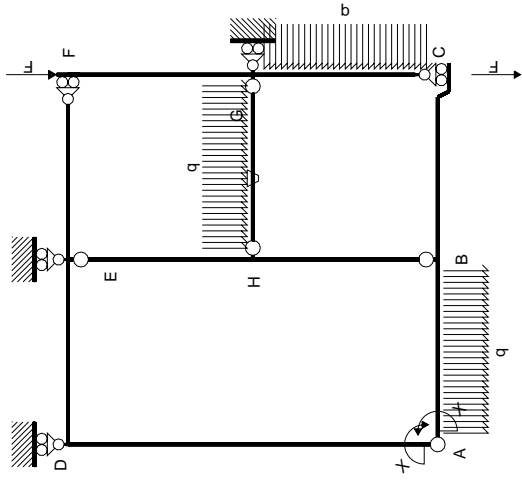
$$= (1/2 b - 1/2 b + 1/6 b) \cdot Fb \cdot 1/EJ = 1/6 \cdot Fb^2/EJ$$

$$L_{ED}^{xo} = \int_0^b (1/2 x^2/b^2) \cdot Fb \cdot 1/EJ \, dx = \left[1/6 x^3/b^2 \right]_0^b \cdot Fb \cdot 1/EJ$$

$$= (1/6 b) \cdot Fb \cdot 1/EJ = 1/6 \cdot Fb^2/EJ$$

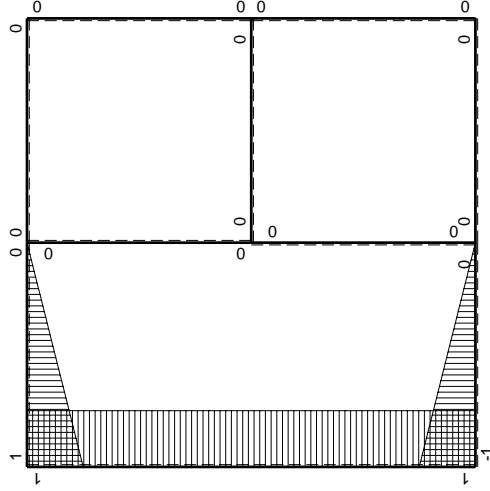


$\left[\begin{matrix} + \\ + \end{matrix} \right] F_b$



Schema di calcolo iperstatico

M_0 flessione da carichi assegnati



M_x flessione da iperstatica X=1

Quadro contributi PLV per iperstatica $X=W_{AB}$

→	$M_x(x)$	$M_o(x)$	θ	$M_x M_o$	$M_x \theta$	$M_x M_x$	$\int M_x(M_o/EJ+\theta)dx$	$\int X M_x M_x/EJ dx$	
AB b	$-1+x/b$	$-2Fx-1/2qx^2$	0	$2Fx-3/2Fx^2/b-1/2qx^3/b$	0	$1-2x/b+x^2/b^2$	$(3/8+0)Fb^2/EJ$	$1/3Xb/EJ$	
BA b	x/b	$5/2Fb-3Fx+1/2qx^2$	0	$5/2Fx-3Fx^2/b+1/2qx^3/b$	0	x^2/b^2			
BC b	0	$-5/2Fb+5/2Fx$	0	0	0	0	0+0	0	
CB b	0	$5/2Fx$	0	0	0	0			
AD 2b	1	$1/4Fx$	0	$1/4Fx$	0	1	$(1/2+0)Fb^2/EJ$	$2Xb/EJ$	
DA 2b	-1	$-1/2Fb+1/4Fx$	0	$1/2Fb-1/4Fx$	0	1			
DE b	$1-x/b$	$1/2Fb-1/2Fx$	0	$1/2Fb-Fx+1/2Fx^2/b$	0	$1-2x/b+x^2/b^2$	$(1/6+0)Fb^2/EJ$	$1/3Xb/EJ$	
ED b	$-x/b$	$-1/2Fx$	0	$1/2Fx^2/b$	0	x^2/b^2			
EF b	0	0	0	0	0	0	0+0	0	
FE b	0	0	0	0	0	0			
FG b	0	$-1/2Fx$	0	0	0	0	0+0	0	
GF b	0	$1/2Fb-1/2Fx$	0	0	0	0			
GC b	0	$-1/2Fb+Fx-1/2qx^2$	0	0	0	0	0+0	0	
CG b	0	$1/2qx^2$	0	0	0	0			
HG b	0	$1/2Fx-1/2qx^2$	$-Fb/EJ$	0	0	0	0+0	0	
GH b	0	$-1/2Fx+1/2qx^2$	Fb/EJ	0	0	0			
HB b	0	$1/4Fb-1/4Fx$	0	0	0	0	0+0	0	
BH b	0	$-1/4Fx$	0	0	0	0			
HE b	0	$-1/4Fb+1/4Fx$	0	0	0	0	0+0	0	
EH b	0	$1/4Fx$	0	0	0	0			
AB	molla asta $-W_{1AB}(W_{0AB}+XW_{1AB})/k_{AB}$								$1/4Xb/EJ$
	totali							$25/24Fb^2/EJ$	$35/12Xb/EJ$
	iperstatica $X=W_{AB}$							$-5/14Fb$	

Sviluppi di calcolo iperstatica

$$L_{AB}^{xx} = \int_0^b (1 - 2x/b + x^2/b^2) \cdot 1/EJ \, dx + 1 \cdot 1/4 \cdot b/EJ = \left[x - x^2/b + 1/3 x^3/b^2 \right]_0^b \cdot 1/EJ + 1 \cdot 1/4 \cdot b/EJ$$

$$= (b - b + 1/3 b) \cdot 1/EJ + 1 \cdot 1/4 \cdot b/EJ = 7/12 \cdot b/EJ$$

$$L_{BA}^{xx} = \int_0^b (x^2/b^2) \cdot 1/EJ \, dx + 1 \cdot 1/4 \cdot b/EJ = \left[1/3 x^3/b^2 \right]_0^b \cdot 1/EJ + 1 \cdot 1/4 \cdot b/EJ$$

$$= (1/3 b) \cdot 1/EJ + 1 \cdot 1/4 \cdot b/EJ = 7/12 \cdot b/EJ$$

$$L_{AD}^{xx} = \int_0^{2b} (1) \cdot 1/EJ \, dx = \left[x \right]_0^{2b} \cdot 1/EJ$$

$$= (2b) \cdot 1/EJ = 2 \cdot b/EJ$$

$$L_{DA}^{xx} = \int_0^{2b} (1) \cdot 1/EJ \, dx = \left[x \right]_0^{2b} \cdot 1/EJ$$

$$= (2b) \cdot 1/EJ = 2 \cdot b/EJ$$

$$L_{DE}^{xx} = \int_0^b (1 - 2x/b + x^2/b^2) \cdot 1/EJ \, dx = \left[x - x^2/b + 1/3 x^3/b^2 \right]_0^b \cdot 1/EJ$$

$$= (b - b + 1/3 b) \cdot 1/EJ = 1/3 \cdot b/EJ$$

$$L_{ED}^{xx} = \int_0^b (x^2/b^2) \cdot 1/EJ \, dx = \left[1/3 x^3/b^2 \right]_0^b \cdot 1/EJ$$

$$= (1/3 b) \cdot 1/EJ = 1/3 \cdot b/EJ$$

$$L_{AB}^{xo} = \int_0^b (2x/b - 3/2 x^2/b^2 - 1/2 x^3/b^3) \cdot Fb \cdot 1/EJ \, dx + 1 \cdot 0 \cdot 1/4 \cdot Fb^2/EJ$$

$$= \left[x^2/b - 1/2 x^3/b^2 - 1/8 x^4/b^3 \right]_0^b \cdot Fb \cdot 1/EJ + 1 \cdot 0 \cdot 1/4 \cdot Fb^2/EJ$$

$$= (b - 1/2 b - 1/8 b) \cdot Fb \cdot 1/EJ + 1 \cdot 0 \cdot 1/4 \cdot Fb^2/EJ = 3/8 \cdot Fb^2/EJ$$

$$L_{BA}^{xo} = \int_0^b (5/2 x/b - 3 x^2/b^2 + 1/2 x^3/b^3) \cdot Fb \cdot 1/EJ \, dx + 1 \cdot 0 \cdot 1/4 \cdot Fb^2/EJ$$

$$= \left[5/4 x^2/b - x^3/b^2 + 1/8 x^4/b^3 \right]_0^b \cdot Fb \cdot 1/EJ + 1 \cdot 0 \cdot 1/4 \cdot Fb^2/EJ$$

$$= (5/4 b - b + 1/8 b) \cdot Fb \cdot 1/EJ + 1 \cdot 0 \cdot 1/4 \cdot Fb^2/EJ = 3/8 \cdot Fb^2/EJ$$

$$L_{AD}^{xo} = \int_0^{2b} (1/4 x/b) \cdot Fb \cdot 1/EJ \, dx = \left[1/8 x^2/b \right]_0^{2b} \cdot Fb \cdot 1/EJ$$

$$= (1/2 b) \cdot Fb \cdot 1/EJ = 1/2 \cdot Fb^2/EJ$$

$$L_{DA}^{xo} = \int_0^{2b} (1/2 - 1/4 x/b) \cdot Fb \cdot 1/EJ \, dx = \left[1/2 x - 1/8 x^2/b \right]_0^{2b} \cdot Fb \cdot 1/EJ$$

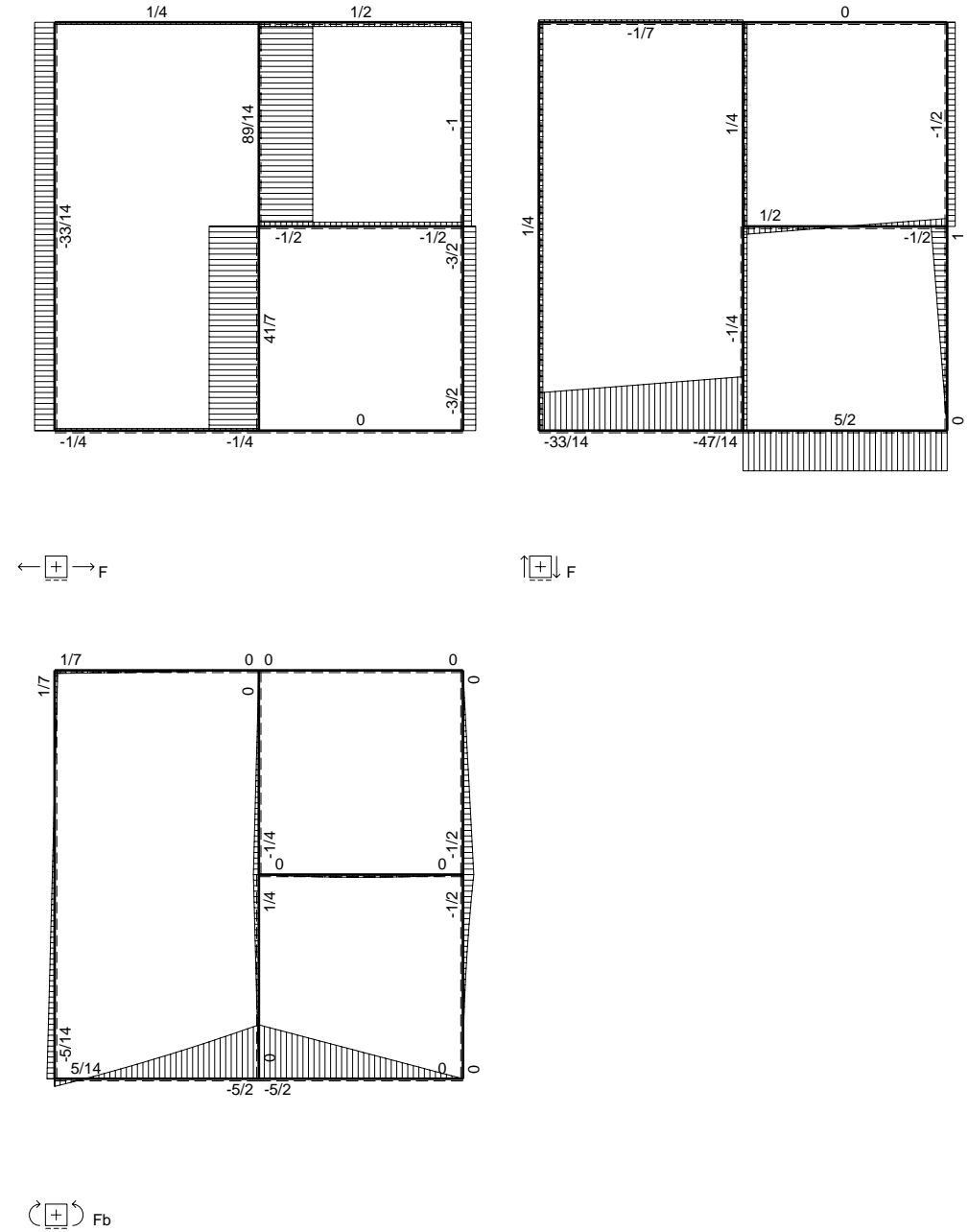
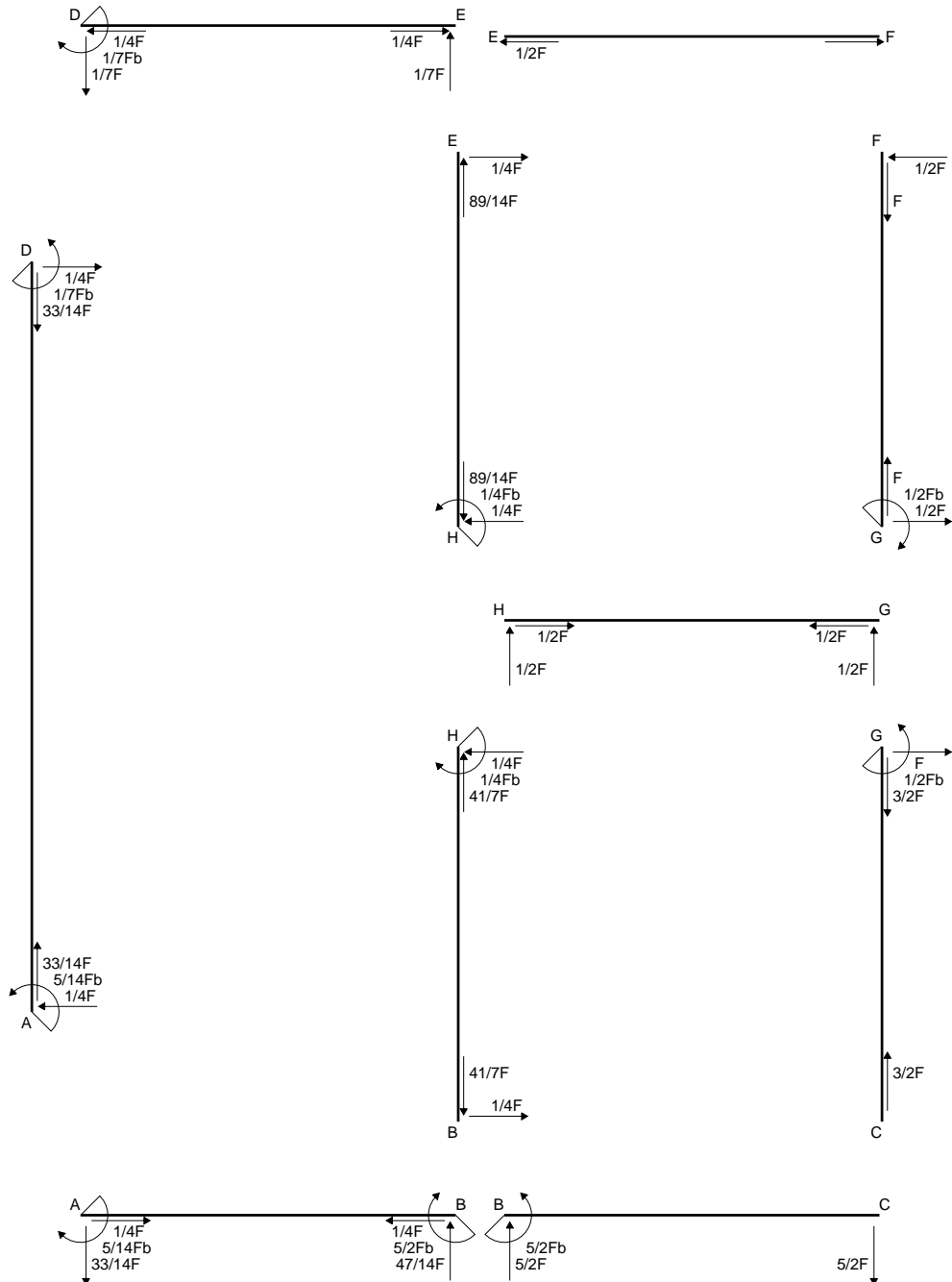
$$= (b - 1/2 b) \cdot Fb \cdot 1/EJ = 1/2 \cdot Fb^2/EJ$$

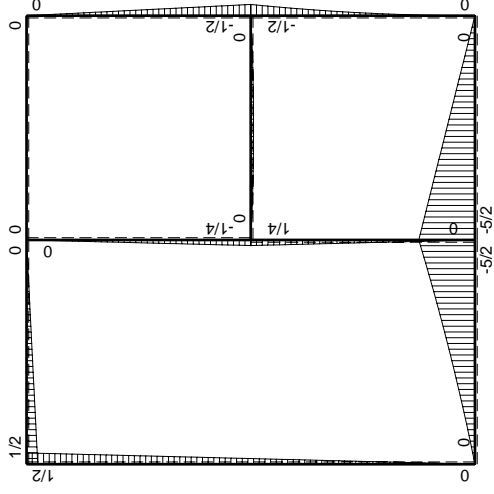
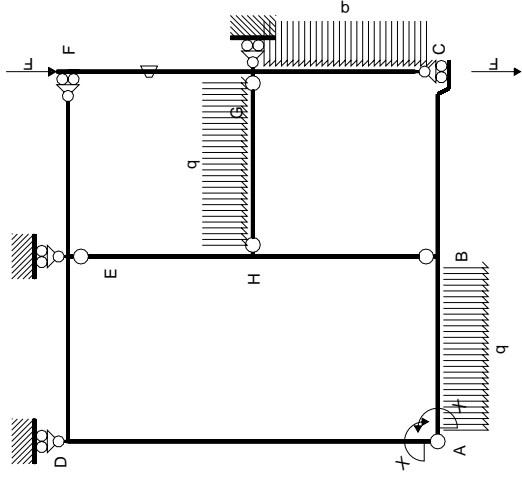
$$L_{DE}^{xo} = \int_0^b (1/2 - x/b + 1/2 x^2/b^2) \cdot Fb \cdot 1/EJ \, dx = \left[1/2 x - 1/2 x^2/b + 1/6 x^3/b^2 \right]_0^b \cdot Fb \cdot 1/EJ$$

$$= (1/2 b - 1/2 b + 1/6 b) \cdot Fb \cdot 1/EJ = 1/6 \cdot Fb^2/EJ$$

$$L_{ED}^{xo} = \int_0^b (1/2 x^2/b^2) \cdot Fb \cdot 1/EJ \, dx = \left[1/6 x^3/b^2 \right]_0^b \cdot Fb \cdot 1/EJ$$

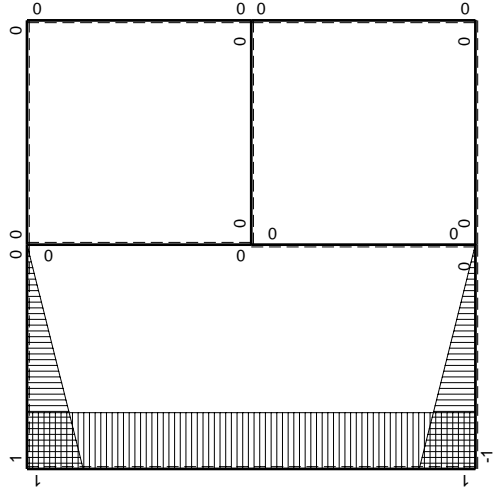
$$= (1/6 b) \cdot Fb \cdot 1/EJ = 1/6 \cdot Fb^2/EJ$$





Schema di calcolo iperstatico

M_0 flessione da carichi assegnati



M_x flessione da iperstatica $X=1$

Quadro contributi PLV per iperstatica $X=W_{AB}$

→	$M_x(x)$	$M_o(x)$	θ	$M_x M_o$	$M_x \theta$	$M_x M_x$	$\int M_x(M_o/EJ+\theta)dx$	$\int X M_x M_x/EJ dx$	
AB b	$-1+x/b$	$-2Fx-1/2qx^2$	0	$2Fx-3/2Fx^2/b-1/2qx^3/b$	0	$1-2x/b+x^2/b^2$	$(3/8+0)Fb^2/EJ$	$1/3Xb/EJ$	
BA b	x/b	$5/2Fb-3Fx+1/2qx^2$	0	$5/2Fx-3Fx^2/b+1/2qx^3/b$	0	x^2/b^2			
BC b	0	$-5/2Fb+5/2Fx$	0	0	0	0	0+0	0	
CB b	0	$5/2Fx$	0	0	0	0			
AD 2b	1	$1/4Fx$	0	$1/4Fx$	0	1	$(1/2+0)Fb^2/EJ$	$2Xb/EJ$	
DA 2b	-1	$-1/2Fb+1/4Fx$	0	$1/2Fb-1/4Fx$	0	1			
DE b	$1-x/b$	$1/2Fb-1/2Fx$	0	$1/2Fb-Fx+1/2Fx^2/b$	0	$1-2x/b+x^2/b^2$	$(1/6+0)Fb^2/EJ$	$1/3Xb/EJ$	
ED b	$-x/b$	$-1/2Fx$	0	$1/2Fx^2/b$	0	x^2/b^2			
EF b	0	0	0	0	0	0	0+0	0	
FE b	0	0	0	0	0	0			
FG b	0	$-1/2Fx$	$-Fb/EJ$	0	0	0	0+0	0	
GF b	0	$1/2Fb-1/2Fx$	Fb/EJ	0	0	0			
GC b	0	$-1/2Fb+Fx-1/2qx^2$	0	0	0	0	0+0	0	
CG b	0	$1/2qx^2$	0	0	0	0			
HG b	0	$1/2Fx-1/2qx^2$	0	0	0	0	0+0	0	
GH b	0	$-1/2Fx+1/2qx^2$	0	0	0	0			
HB b	0	$1/4Fb-1/4Fx$	0	0	0	0	0+0	0	
BH b	0	$-1/4Fx$	0	0	0	0			
HE b	0	$-1/4Fb+1/4Fx$	0	0	0	0	0+0	0	
EH b	0	$1/4Fx$	0	0	0	0			
AB	molla asta $-W_{1AB}(W_{0AB}+XW_{1AB})/k_{AB}$								$1/4Xb/EJ$
	totali							$25/24Fb^2/EJ$	$35/12Xb/EJ$
	iperstatica $X=W_{AB}$							$-5/14Fb$	

Sviluppi di calcolo iperstatica

$$L_{AB}^{xx} = \int_0^b (1 - 2x/b + x^2/b^2) \cdot 1/EJ \, dx + 1 \cdot 1/4 \cdot b/EJ = \left[x - x^2/b + 1/3 x^3/b^2 \right]_0^b \cdot 1/EJ + 1 \cdot 1/4 \cdot b/EJ$$

$$= (b - b + 1/3 b) \cdot 1/EJ + 1 \cdot 1/4 \cdot b/EJ = 7/12 \cdot b/EJ$$

$$L_{BA}^{xx} = \int_0^b (x^2/b^2) \cdot 1/EJ \, dx + 1 \cdot 1/4 \cdot b/EJ = \left[1/3 x^3/b^2 \right]_0^b \cdot 1/EJ + 1 \cdot 1/4 \cdot b/EJ$$

$$= (1/3 b) \cdot 1/EJ + 1 \cdot 1/4 \cdot b/EJ = 7/12 \cdot b/EJ$$

$$L_{AD}^{xx} = \int_0^{2b} (1) \cdot 1/EJ \, dx = \left[x \right]_0^{2b} \cdot 1/EJ$$

$$= (2b) \cdot 1/EJ = 2 \cdot b/EJ$$

$$L_{DA}^{xx} = \int_0^{2b} (1) \cdot 1/EJ \, dx = \left[x \right]_0^{2b} \cdot 1/EJ$$

$$= (2b) \cdot 1/EJ = 2 \cdot b/EJ$$

$$L_{DE}^{xx} = \int_0^b (1 - 2x/b + x^2/b^2) \cdot 1/EJ \, dx = \left[x - x^2/b + 1/3 x^3/b^2 \right]_0^b \cdot 1/EJ$$

$$= (b - b + 1/3 b) \cdot 1/EJ = 1/3 \cdot b/EJ$$

$$L_{ED}^{xx} = \int_0^b (x^2/b^2) \cdot 1/EJ \, dx = \left[1/3 x^3/b^2 \right]_0^b \cdot 1/EJ$$

$$= (1/3 b) \cdot 1/EJ = 1/3 \cdot b/EJ$$

$$L_{AB}^{xo} = \int_0^b (2x/b - 3/2 x^2/b^2 - 1/2 x^3/b^3) \cdot Fb \cdot 1/EJ \, dx + 1 \cdot 0 \cdot 1/4 \cdot Fb^2/EJ$$

$$= \left[x^2/b - 1/2 x^3/b^2 - 1/8 x^4/b^3 \right]_0^b \cdot Fb \cdot 1/EJ + 1 \cdot 0 \cdot 1/4 \cdot Fb^2/EJ$$

$$= (b - 1/2 b - 1/8 b) \cdot Fb \cdot 1/EJ + 1 \cdot 0 \cdot 1/4 \cdot Fb^2/EJ = 3/8 \cdot Fb^2/EJ$$

$$L_{BA}^{xo} = \int_0^b (5/2 x/b - 3 x^2/b^2 + 1/2 x^3/b^3) \cdot Fb \cdot 1/EJ \, dx + 1 \cdot 0 \cdot 1/4 \cdot Fb^2/EJ$$

$$= \left[5/4 x^2/b - x^3/b^2 + 1/8 x^4/b^3 \right]_0^b \cdot Fb \cdot 1/EJ + 1 \cdot 0 \cdot 1/4 \cdot Fb^2/EJ$$

$$= (5/4 b - b + 1/8 b) \cdot Fb \cdot 1/EJ + 1 \cdot 0 \cdot 1/4 \cdot Fb^2/EJ = 3/8 \cdot Fb^2/EJ$$

$$L_{AD}^{xo} = \int_0^{2b} (1/4 x/b) \cdot Fb \cdot 1/EJ \, dx = \left[1/8 x^2/b \right]_0^{2b} \cdot Fb \cdot 1/EJ$$

$$= (1/2 b) \cdot Fb \cdot 1/EJ = 1/2 \cdot Fb^2/EJ$$

$$L_{DA}^{xo} = \int_0^{2b} (1/2 - 1/4 x/b) \cdot Fb \cdot 1/EJ \, dx = \left[1/2 x - 1/8 x^2/b \right]_0^{2b} \cdot Fb \cdot 1/EJ$$

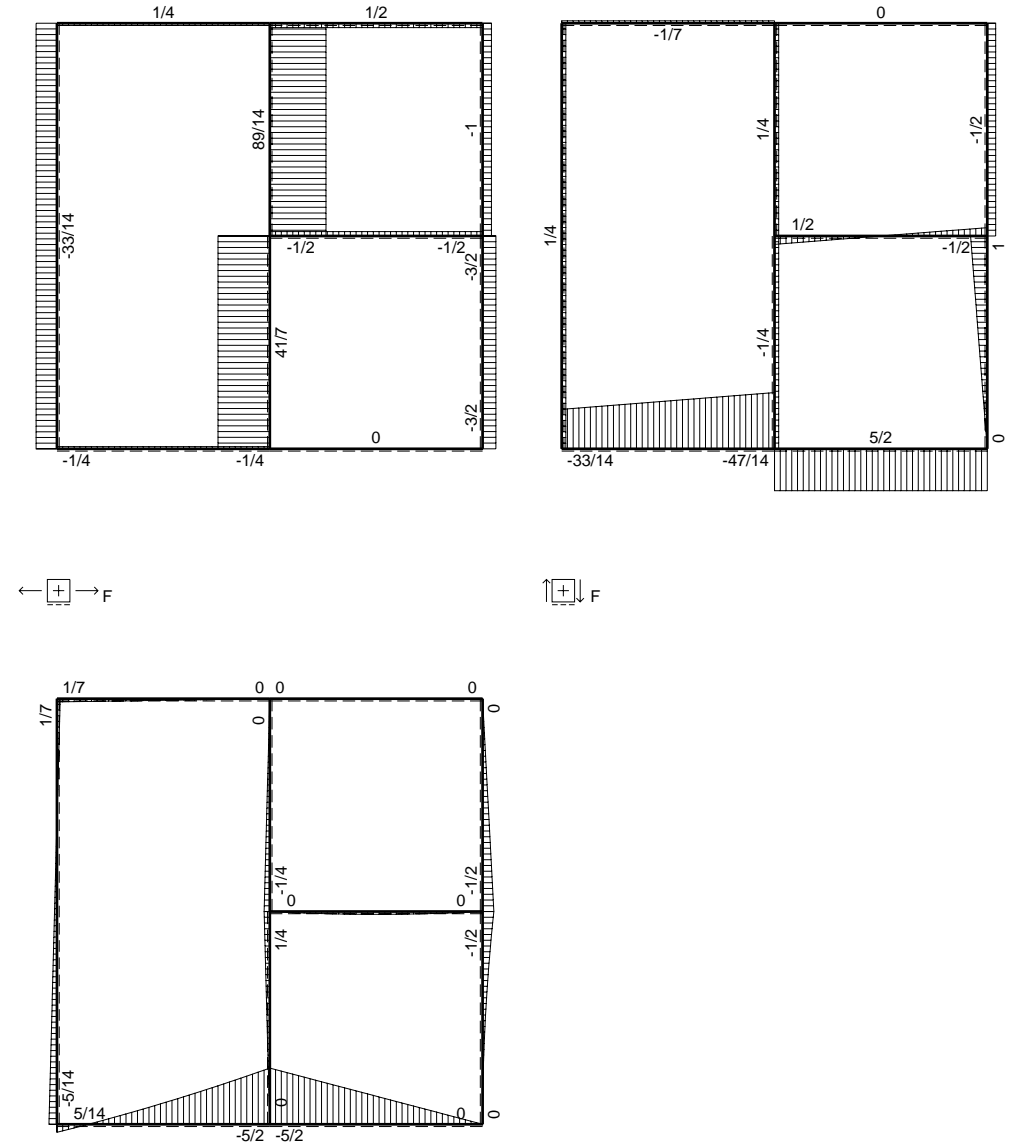
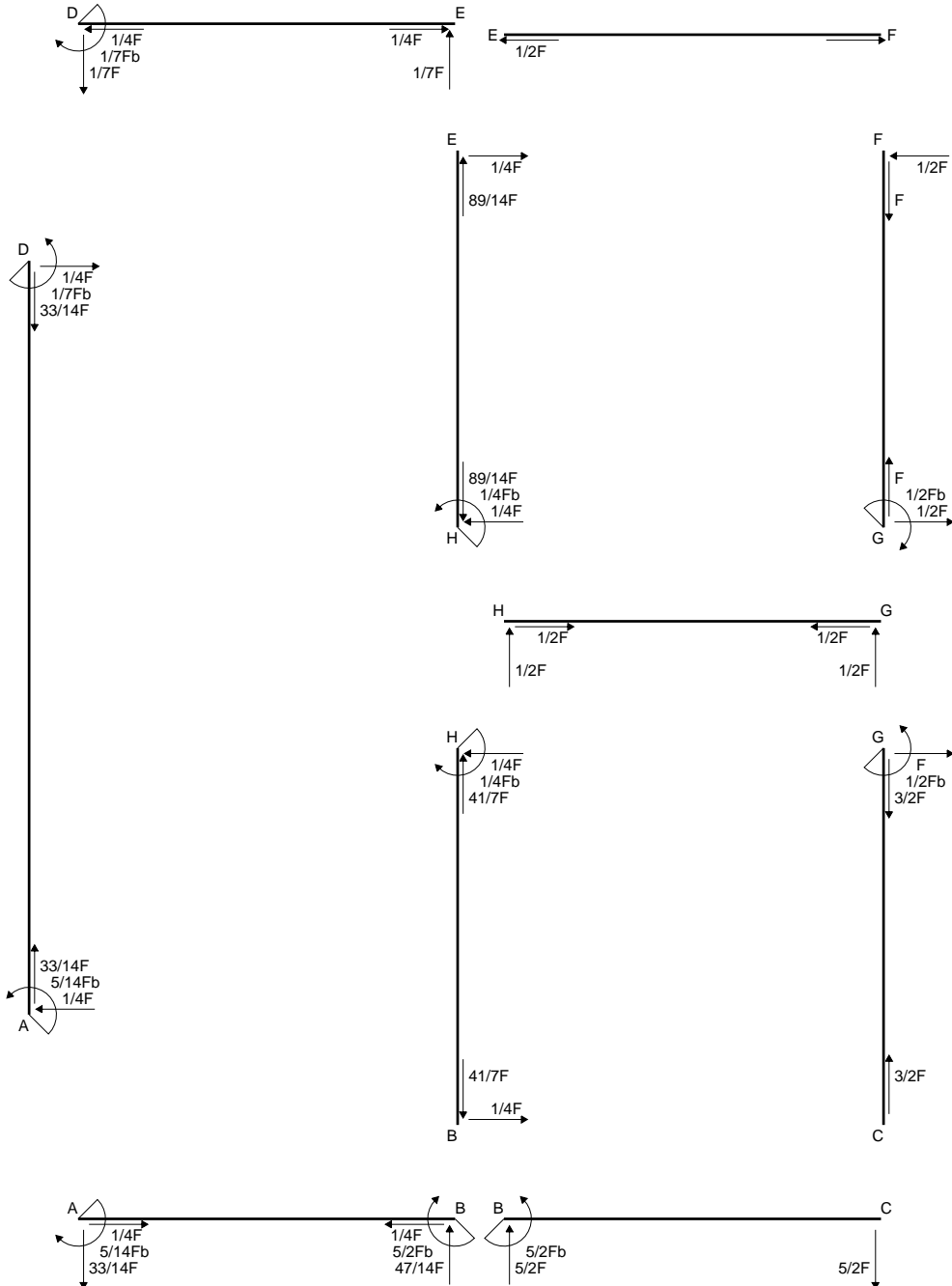
$$= (b - 1/2 b) \cdot Fb \cdot 1/EJ = 1/2 \cdot Fb^2/EJ$$

$$L_{DE}^{xo} = \int_0^b (1/2 - x/b + 1/2 x^2/b^2) \cdot Fb \cdot 1/EJ \, dx = \left[1/2 x - 1/2 x^2/b + 1/6 x^3/b^2 \right]_0^b \cdot Fb \cdot 1/EJ$$

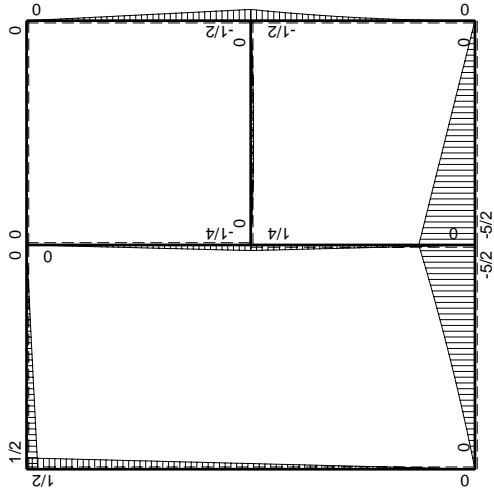
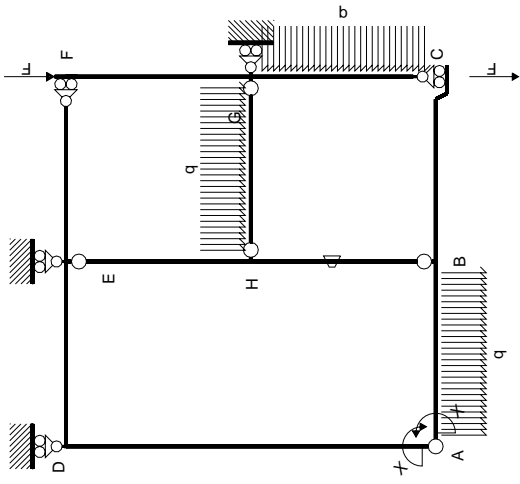
$$= (1/2 b - 1/2 b + 1/6 b) \cdot Fb \cdot 1/EJ = 1/6 \cdot Fb^2/EJ$$

$$L_{ED}^{xo} = \int_0^b (1/2 x^2/b^2) \cdot Fb \cdot 1/EJ \, dx = \left[1/6 x^3/b^2 \right]_0^b \cdot Fb \cdot 1/EJ$$

$$= (1/6 b) \cdot Fb \cdot 1/EJ = 1/6 \cdot Fb^2/EJ$$

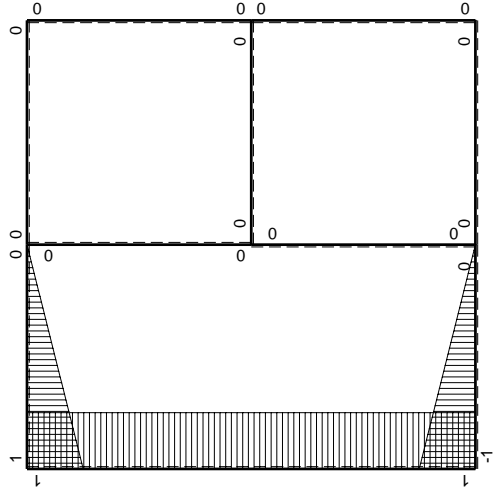


(+) F_b



Schema di calcolo iperstatico

M_0 flessione da carichi assegnati



M_X flessione da iperstatica $X=1$

Quadro contributi PLV per iperstatica $X=W_{AB}$

→	$M_x(x)$	$M_o(x)$	θ	$M_x M_o$	$M_x \theta$	$M_x M_x$	$\int M_x(M_o/EJ+\theta)dx$	$\int X M_x M_x/EJ dx$	
AB b	$-1+x/b$	$-2Fx-1/2qx^2$	0	$2Fx-3/2Fx^2/b-1/2qx^3/b$	0	$1-2x/b+x^2/b^2$	$(3/8+0)Fb^2/EJ$	$1/3Xb/EJ$	
BA b	x/b	$5/2Fb-3Fx+1/2qx^2$	0	$5/2Fx-3Fx^2/b+1/2qx^3/b$	0	x^2/b^2			
BC b	0	$-5/2Fb+5/2Fx$	0	0	0	0	0+0	0	
CB b	0	$5/2Fx$	0	0	0	0			
AD 2b	1	$1/4Fx$	0	$1/4Fx$	0	1	$(1/2+0)Fb^2/EJ$	$2Xb/EJ$	
DA 2b	-1	$-1/2Fb+1/4Fx$	0	$1/2Fb-1/4Fx$	0	1			
DE b	$1-x/b$	$1/2Fb-1/2Fx$	0	$1/2Fb-Fx+1/2Fx^2/b$	0	$1-2x/b+x^2/b^2$	$(1/6+0)Fb^2/EJ$	$1/3Xb/EJ$	
ED b	$-x/b$	$-1/2Fx$	0	$1/2Fx^2/b$	0	x^2/b^2			
EF b	0	0	0	0	0	0	0+0	0	
FE b	0	0	0	0	0	0			
FG b	0	$-1/2Fx$	0	0	0	0	0+0	0	
GF b	0	$1/2Fb-1/2Fx$	0	0	0	0			
GC b	0	$-1/2Fb+Fx-1/2qx^2$	0	0	0	0	0+0	0	
CG b	0	$1/2qx^2$	0	0	0	0			
HG b	0	$1/2Fx-1/2qx^2$	0	0	0	0	0+0	0	
GH b	0	$-1/2Fx+1/2qx^2$	0	0	0	0			
HB b	0	$1/4Fb-1/4Fx$	$-Fb/EJ$	0	0	0	0+0	0	
BH b	0	$-1/4Fx$	Fb/EJ	0	0	0			
HE b	0	$-1/4Fb+1/4Fx$	0	0	0	0	0+0	0	
EH b	0	$1/4Fx$	0	0	0	0			
AB	molla asta $-W_{1AB}(W_{0AB}+XW_{1AB})/k_{AB}$								$1/4Xb/EJ$
	totali							$25/24Fb^2/EJ$	$35/12Xb/EJ$
	iperstatica $X=W_{AB}$							$-5/14Fb$	

Sviluppi di calcolo iperstatica

$$L_{AB}^{xx} = \int_0^b (1 - 2x/b + x^2/b^2) \cdot 1/EJ \, dx + 1 \cdot 1/4 \cdot b/EJ = \left[x - x^2/b + 1/3 x^3/b^2 \right]_0^b \cdot 1/EJ + 1 \cdot 1/4 \cdot b/EJ$$

$$= (b - b + 1/3 b) \cdot 1/EJ + 1 \cdot 1/4 \cdot b/EJ = 7/12 \cdot b/EJ$$

$$L_{BA}^{xx} = \int_0^b (x^2/b^2) \cdot 1/EJ \, dx + 1 \cdot 1/4 \cdot b/EJ = \left[1/3 x^3/b^2 \right]_0^b \cdot 1/EJ + 1 \cdot 1/4 \cdot b/EJ$$

$$= (1/3 b) \cdot 1/EJ + 1 \cdot 1/4 \cdot b/EJ = 7/12 \cdot b/EJ$$

$$L_{AD}^{xx} = \int_0^{2b} (1) \cdot 1/EJ \, dx = \left[x \right]_0^{2b} \cdot 1/EJ$$

$$= (2b) \cdot 1/EJ = 2 \cdot b/EJ$$

$$L_{DA}^{xx} = \int_0^{2b} (1) \cdot 1/EJ \, dx = \left[x \right]_0^{2b} \cdot 1/EJ$$

$$= (2b) \cdot 1/EJ = 2 \cdot b/EJ$$

$$L_{DE}^{xx} = \int_0^b (1 - 2x/b + x^2/b^2) \cdot 1/EJ \, dx = \left[x - x^2/b + 1/3 x^3/b^2 \right]_0^b \cdot 1/EJ$$

$$= (b - b + 1/3 b) \cdot 1/EJ = 1/3 \cdot b/EJ$$

$$L_{ED}^{xx} = \int_0^b (x^2/b^2) \cdot 1/EJ \, dx = \left[1/3 x^3/b^2 \right]_0^b \cdot 1/EJ$$

$$= (1/3 b) \cdot 1/EJ = 1/3 \cdot b/EJ$$

$$L_{AB}^{xo} = \int_0^b (2x/b - 3/2 x^2/b^2 - 1/2 x^3/b^3) \cdot Fb \cdot 1/EJ \, dx + 1 \cdot 0 \cdot 1/4 \cdot Fb^2/EJ$$

$$= \left[x^2/b - 1/2 x^3/b^2 - 1/8 x^4/b^3 \right]_0^b \cdot Fb \cdot 1/EJ + 1 \cdot 0 \cdot 1/4 \cdot Fb^2/EJ$$

$$= (b - 1/2 b - 1/8 b) \cdot Fb \cdot 1/EJ + 1 \cdot 0 \cdot 1/4 \cdot Fb^2/EJ = 3/8 \cdot Fb^2/EJ$$

$$L_{BA}^{xo} = \int_0^b (5/2 x/b - 3 x^2/b^2 + 1/2 x^3/b^3) \cdot Fb \cdot 1/EJ \, dx + 1 \cdot 0 \cdot 1/4 \cdot Fb^2/EJ$$

$$= \left[5/4 x^2/b - x^3/b^2 + 1/8 x^4/b^3 \right]_0^b \cdot Fb \cdot 1/EJ + 1 \cdot 0 \cdot 1/4 \cdot Fb^2/EJ$$

$$= (5/4 b - b + 1/8 b) \cdot Fb \cdot 1/EJ + 1 \cdot 0 \cdot 1/4 \cdot Fb^2/EJ = 3/8 \cdot Fb^2/EJ$$

$$L_{AD}^{xo} = \int_0^{2b} (1/4 x/b) \cdot Fb \cdot 1/EJ \, dx = \left[1/8 x^2/b \right]_0^{2b} \cdot Fb \cdot 1/EJ$$

$$= (1/2 b) \cdot Fb \cdot 1/EJ = 1/2 \cdot Fb^2/EJ$$

$$L_{DA}^{xo} = \int_0^{2b} (1/2 - 1/4 x/b) \cdot Fb \cdot 1/EJ \, dx = \left[1/2 x - 1/8 x^2/b \right]_0^{2b} \cdot Fb \cdot 1/EJ$$

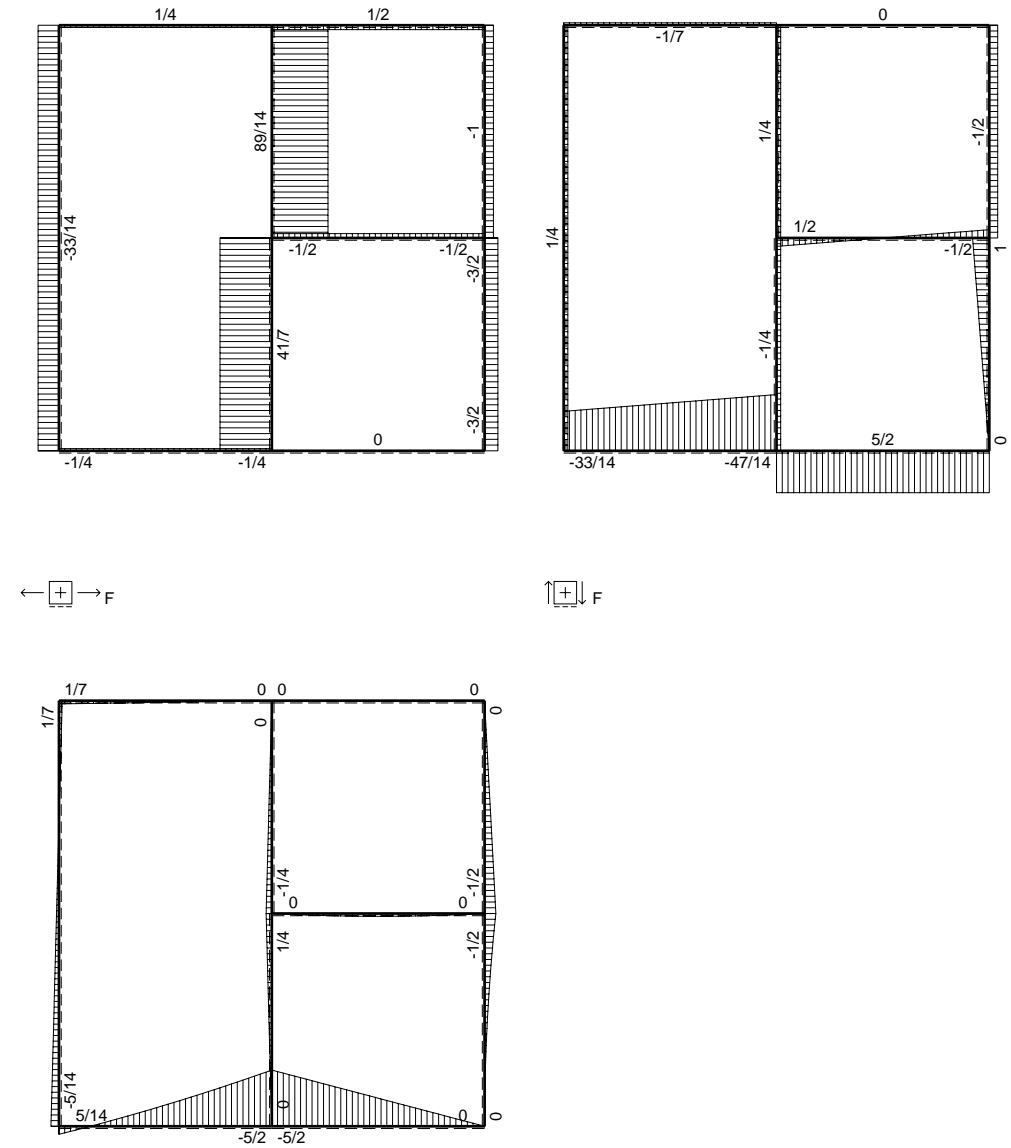
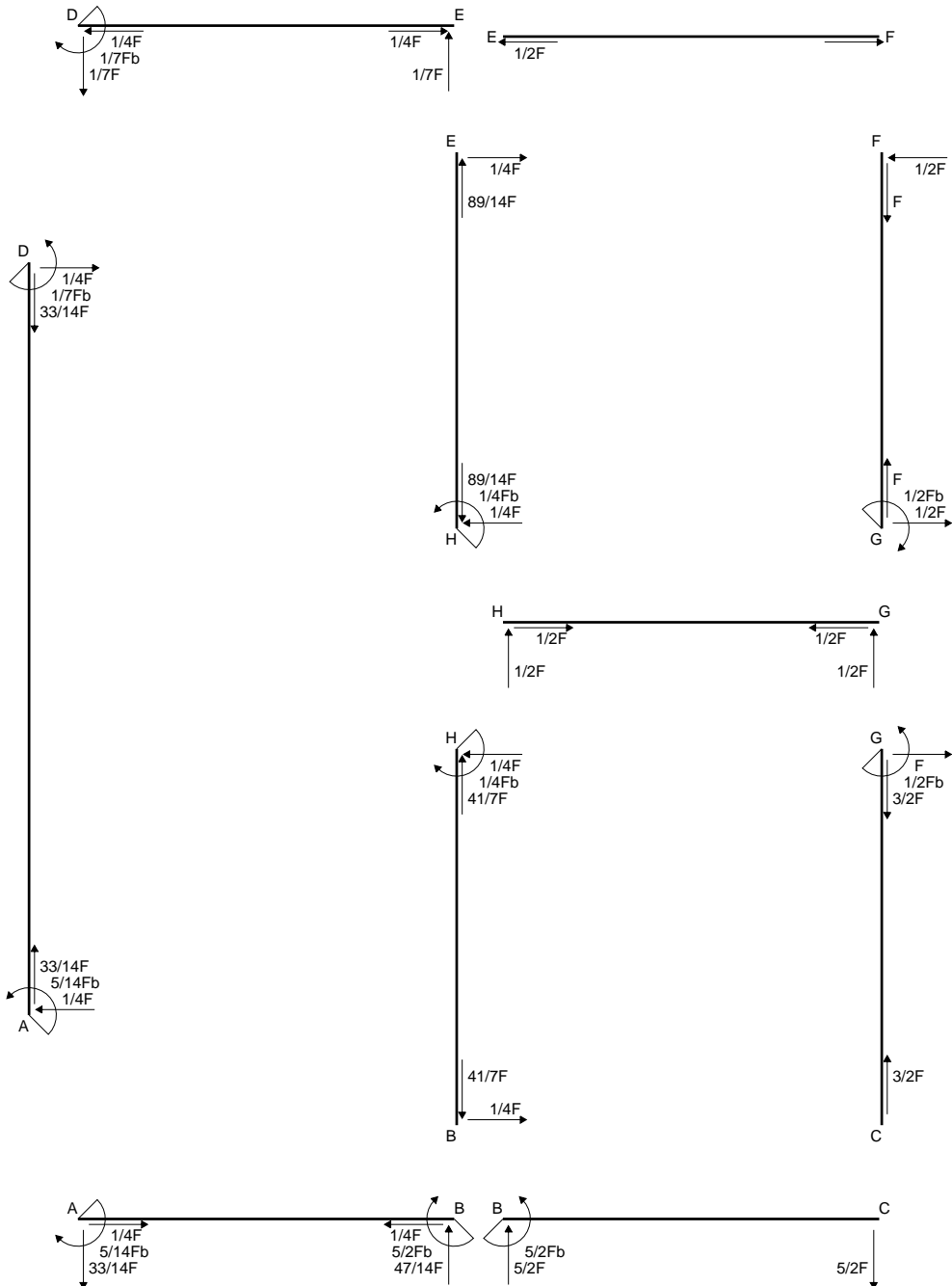
$$= (b - 1/2 b) \cdot Fb \cdot 1/EJ = 1/2 \cdot Fb^2/EJ$$

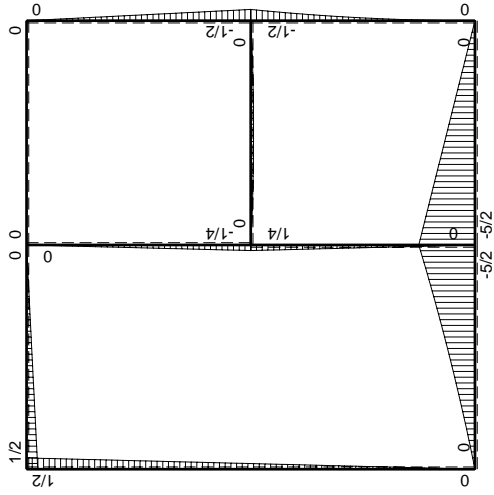
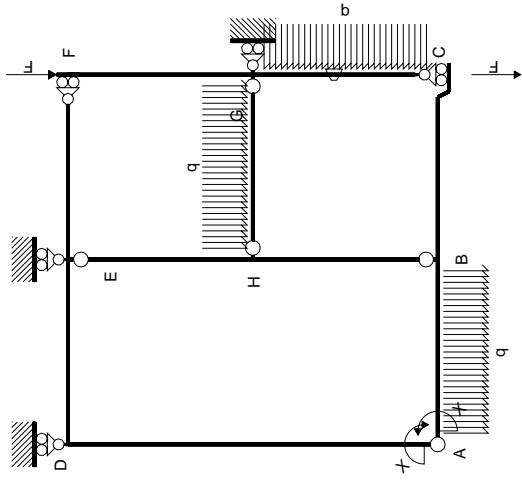
$$L_{DE}^{xo} = \int_0^b (1/2 - x/b + 1/2 x^2/b^2) \cdot Fb \cdot 1/EJ \, dx = \left[1/2 x - 1/2 x^2/b + 1/6 x^3/b^2 \right]_0^b \cdot Fb \cdot 1/EJ$$

$$= (1/2 b - 1/2 b + 1/6 b) \cdot Fb \cdot 1/EJ = 1/6 \cdot Fb^2/EJ$$

$$L_{ED}^{xo} = \int_0^b (1/2 x^2/b^2) \cdot Fb \cdot 1/EJ \, dx = \left[1/6 x^3/b^2 \right]_0^b \cdot Fb \cdot 1/EJ$$

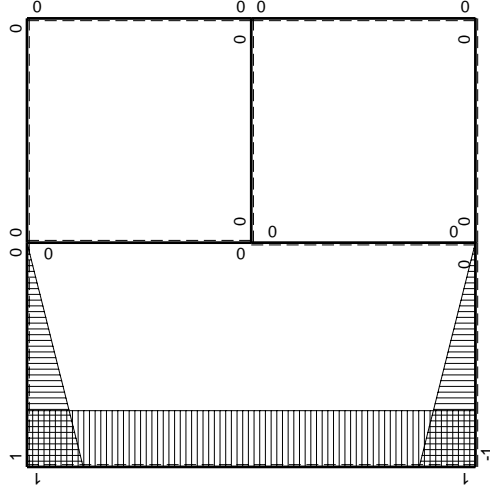
$$= (1/6 b) \cdot Fb \cdot 1/EJ = 1/6 \cdot Fb^2/EJ$$





Schema di calcolo iperstatico

M_0 flessione da carichi assegnati



M_x flessione da iperstatica $X=1$

Quadro contributi PLV per iperstatica $X=W_{AB}$

→	$M_x(x)$	$M_o(x)$	θ	$M_x M_o$	$M_x \theta$	$M_x M_x$	$\int M_x(M_o/EJ+\theta)dx$	$\int X M_x M_x/EJ dx$	
AB b	$-1+x/b$	$-2Fx-1/2qx^2$	0	$2Fx-3/2Fx^2/b-1/2qx^3/b$	0	$1-2x/b+x^2/b^2$	$(3/8+0)Fb^2/EJ$	$1/3Xb/EJ$	
BA b	x/b	$5/2Fb-3Fx+1/2qx^2$	0	$5/2Fx-3Fx^2/b+1/2qx^3/b$	0	x^2/b^2			
BC b	0	$-5/2Fb+5/2Fx$	0	0	0	0	0+0	0	
CB b	0	$5/2Fx$	0	0	0	0			
AD 2b	1	$1/4Fx$	0	$1/4Fx$	0	1	$(1/2+0)Fb^2/EJ$	$2Xb/EJ$	
DA 2b	-1	$-1/2Fb+1/4Fx$	0	$1/2Fb-1/4Fx$	0	1			
DE b	$1-x/b$	$1/2Fb-1/2Fx$	0	$1/2Fb-Fx+1/2Fx^2/b$	0	$1-2x/b+x^2/b^2$	$(1/6+0)Fb^2/EJ$	$1/3Xb/EJ$	
ED b	$-x/b$	$-1/2Fx$	0	$1/2Fx^2/b$	0	x^2/b^2			
EF b	0	0	0	0	0	0	0+0	0	
FE b	0	0	0	0	0	0			
FG b	0	$-1/2Fx$	0	0	0	0	0+0	0	
GF b	0	$1/2Fb-1/2Fx$	0	0	0	0			
GC b	0	$-1/2Fb+Fx-1/2qx^2$	$-Fb/EJ$	0	0	0	0+0	0	
CG b	0	$1/2qx^2$	Fb/EJ	0	0	0			
HG b	0	$1/2Fx-1/2qx^2$	0	0	0	0	0+0	0	
GH b	0	$-1/2Fx+1/2qx^2$	0	0	0	0			
HB b	0	$1/4Fb-1/4Fx$	0	0	0	0	0+0	0	
BH b	0	$-1/4Fx$	0	0	0	0			
HE b	0	$-1/4Fb+1/4Fx$	0	0	0	0	0+0	0	
EH b	0	$1/4Fx$	0	0	0	0			
AB	molla asta $-W_{1AB}(W_{0AB}+XW_{1AB})/k_{AB}$								$1/4Xb/EJ$
	totali							$25/24Fb^2/EJ$	$35/12Xb/EJ$
	iperstatica $X=W_{AB}$							$-5/14Fb$	

Sviluppi di calcolo iperstatica

$$L_{AB}^{xx} = \int_0^b (1 - 2x/b + x^2/b^2) \cdot 1/EJ \, dx + 1 \cdot 1/4 \cdot b/EJ = \left[x - x^2/b + 1/3 x^3/b^2 \right]_0^b \cdot 1/EJ + 1 \cdot 1/4 \cdot b/EJ$$

$$= (b - b + 1/3 b) \cdot 1/EJ + 1 \cdot 1/4 \cdot b/EJ = 7/12 \cdot b/EJ$$

$$L_{BA}^{xx} = \int_0^b (x^2/b^2) \cdot 1/EJ \, dx + 1 \cdot 1/4 \cdot b/EJ = \left[1/3 x^3/b^2 \right]_0^b \cdot 1/EJ + 1 \cdot 1/4 \cdot b/EJ$$

$$= (1/3 b) \cdot 1/EJ + 1 \cdot 1/4 \cdot b/EJ = 7/12 \cdot b/EJ$$

$$L_{AD}^{xx} = \int_0^{2b} (1) \cdot 1/EJ \, dx = \left[x \right]_0^{2b} \cdot 1/EJ$$

$$= (2b) \cdot 1/EJ = 2 \cdot b/EJ$$

$$L_{DA}^{xx} = \int_0^{2b} (1) \cdot 1/EJ \, dx = \left[x \right]_0^{2b} \cdot 1/EJ$$

$$= (2b) \cdot 1/EJ = 2 \cdot b/EJ$$

$$L_{DE}^{xx} = \int_0^b (1 - 2x/b + x^2/b^2) \cdot 1/EJ \, dx = \left[x - x^2/b + 1/3 x^3/b^2 \right]_0^b \cdot 1/EJ$$

$$= (b - b + 1/3 b) \cdot 1/EJ = 1/3 \cdot b/EJ$$

$$L_{ED}^{xx} = \int_0^b (x^2/b^2) \cdot 1/EJ \, dx = \left[1/3 x^3/b^2 \right]_0^b \cdot 1/EJ$$

$$= (1/3 b) \cdot 1/EJ = 1/3 \cdot b/EJ$$

$$L_{AB}^{xo} = \int_0^b (2x/b - 3/2 x^2/b^2 - 1/2 x^3/b^3) \cdot Fb \cdot 1/EJ \, dx + 1 \cdot 0 \cdot 1/4 \cdot Fb^2/EJ$$

$$= \left[x^2/b - 1/2 x^3/b^2 - 1/8 x^4/b^3 \right]_0^b \cdot Fb \cdot 1/EJ + 1 \cdot 0 \cdot 1/4 \cdot Fb^2/EJ$$

$$= (b - 1/2 b - 1/8 b) \cdot Fb \cdot 1/EJ + 1 \cdot 0 \cdot 1/4 \cdot Fb^2/EJ = 3/8 \cdot Fb^2/EJ$$

$$L_{BA}^{xo} = \int_0^b (5/2 x/b - 3 x^2/b^2 + 1/2 x^3/b^3) \cdot Fb \cdot 1/EJ \, dx + 1 \cdot 0 \cdot 1/4 \cdot Fb^2/EJ$$

$$= \left[5/4 x^2/b - x^3/b^2 + 1/8 x^4/b^3 \right]_0^b \cdot Fb \cdot 1/EJ + 1 \cdot 0 \cdot 1/4 \cdot Fb^2/EJ$$

$$= (5/4 b - b + 1/8 b) \cdot Fb \cdot 1/EJ + 1 \cdot 0 \cdot 1/4 \cdot Fb^2/EJ = 3/8 \cdot Fb^2/EJ$$

$$L_{AD}^{xo} = \int_0^{2b} (1/4 x/b) \cdot Fb \cdot 1/EJ \, dx = \left[1/8 x^2/b \right]_0^{2b} \cdot Fb \cdot 1/EJ$$

$$= (1/2 b) \cdot Fb \cdot 1/EJ = 1/2 \cdot Fb^2/EJ$$

$$L_{DA}^{xo} = \int_0^{2b} (1/2 - 1/4 x/b) \cdot Fb \cdot 1/EJ \, dx = \left[1/2 x - 1/8 x^2/b \right]_0^{2b} \cdot Fb \cdot 1/EJ$$

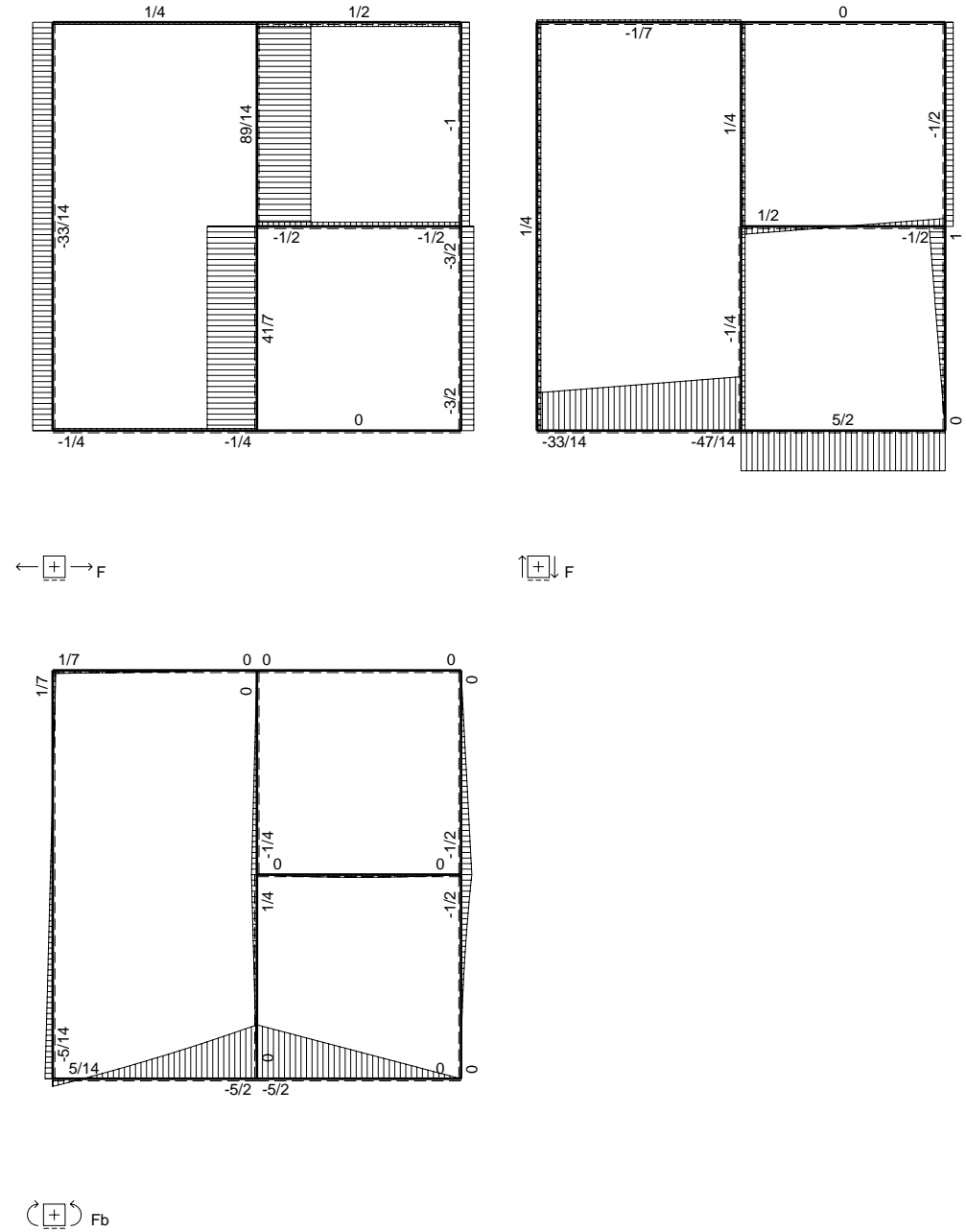
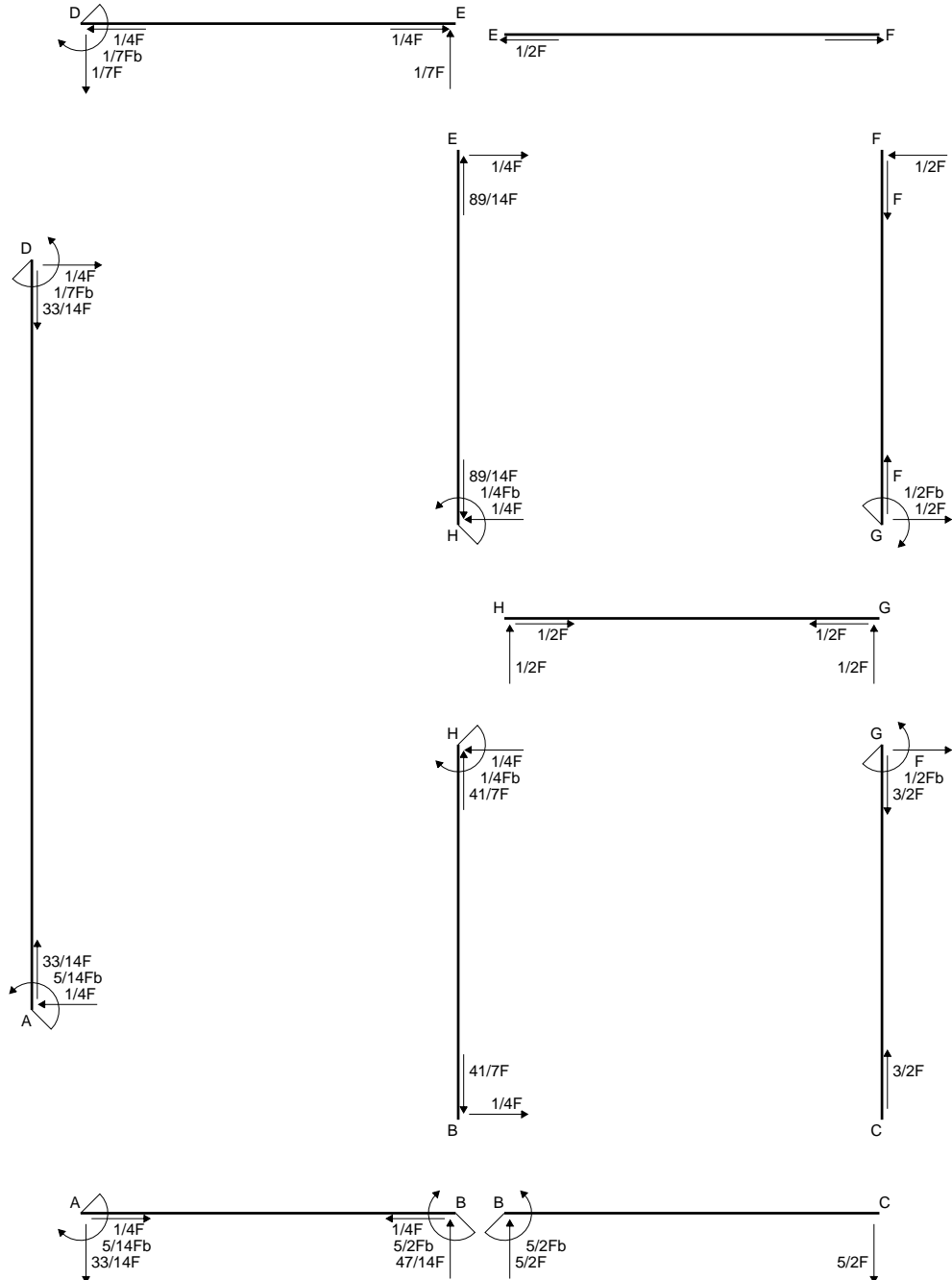
$$= (b - 1/2 b) \cdot Fb \cdot 1/EJ = 1/2 \cdot Fb^2/EJ$$

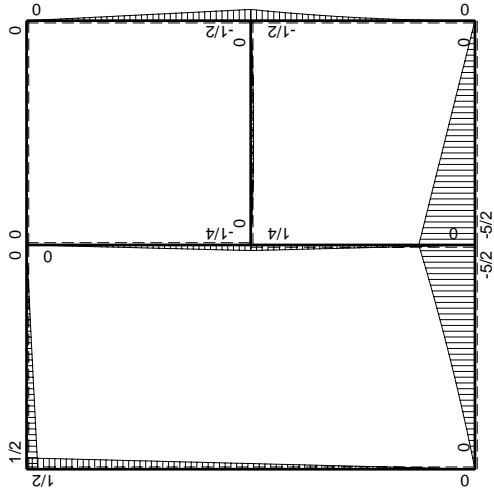
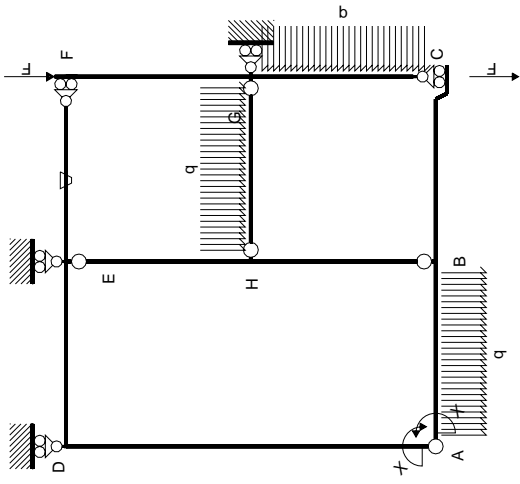
$$L_{DE}^{xo} = \int_0^b (1/2 - x/b + 1/2 x^2/b^2) \cdot Fb \cdot 1/EJ \, dx = \left[1/2 x - 1/2 x^2/b + 1/6 x^3/b^2 \right]_0^b \cdot Fb \cdot 1/EJ$$

$$= (1/2 b - 1/2 b + 1/6 b) \cdot Fb \cdot 1/EJ = 1/6 \cdot Fb^2/EJ$$

$$L_{ED}^{xo} = \int_0^b (1/2 x^2/b^2) \cdot Fb \cdot 1/EJ \, dx = \left[1/6 x^3/b^2 \right]_0^b \cdot Fb \cdot 1/EJ$$

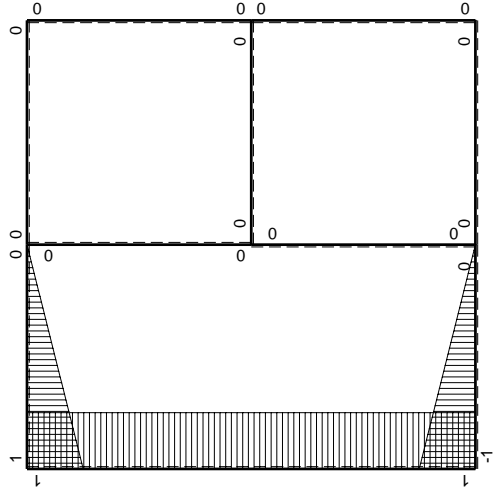
$$= (1/6 b) \cdot Fb \cdot 1/EJ = 1/6 \cdot Fb^2/EJ$$





Schema di calcolo iperstatico

M_0 flessione da carichi assegnati



M_x flessione da iperstatica X=1

Quadro contributi PLV per iperstatica $X=W_{AB}$

→	$M_x(x)$	$M_o(x)$	θ	$M_x M_o$	$M_x \theta$	$M_x M_x$	$\int M_x(M_o/EJ+\theta)dx$	$\int X M_x M_x/EJ dx$	
AB b	$-1+x/b$	$-2Fx-1/2qx^2$	0	$2Fx-3/2Fx^2/b-1/2qx^3/b$	0	$1-2x/b+x^2/b^2$	$(3/8+0)Fb^2/EJ$	$1/3Xb/EJ$	
BA b	x/b	$5/2Fb-3Fx+1/2qx^2$	0	$5/2Fx-3Fx^2/b+1/2qx^3/b$	0	x^2/b^2			
BC b	0	$-5/2Fb+5/2Fx$	0	0	0	0	0+0	0	
CB b	0	$5/2Fx$	0	0	0	0			
AD 2b	1	$1/4Fx$	0	$1/4Fx$	0	1	$(1/2+0)Fb^2/EJ$	$2Xb/EJ$	
DA 2b	-1	$-1/2Fb+1/4Fx$	0	$1/2Fb-1/4Fx$	0	1			
DE b	$1-x/b$	$1/2Fb-1/2Fx$	0	$1/2Fb-Fx+1/2Fx^2/b$	0	$1-2x/b+x^2/b^2$	$(1/6+0)Fb^2/EJ$	$1/3Xb/EJ$	
ED b	$-x/b$	$-1/2Fx$	0	$1/2Fx^2/b$	0	x^2/b^2			
EF b	0	0	$-Fb/EJ$	0	0	0	0+0	0	
FE b	0	0	Fb/EJ	0	0	0			
FG b	0	$-1/2Fx$	0	0	0	0	0+0	0	
GF b	0	$1/2Fb-1/2Fx$	0	0	0	0			
GC b	0	$-1/2Fb+Fx-1/2qx^2$	0	0	0	0	0+0	0	
CG b	0	$1/2qx^2$	0	0	0	0			
HG b	0	$1/2Fx-1/2qx^2$	0	0	0	0	0+0	0	
GH b	0	$-1/2Fx+1/2qx^2$	0	0	0	0			
HB b	0	$1/4Fb-1/4Fx$	0	0	0	0	0+0	0	
BH b	0	$-1/4Fx$	0	0	0	0			
HE b	0	$-1/4Fb+1/4Fx$	0	0	0	0	0+0	0	
EH b	0	$1/4Fx$	0	0	0	0			
AB	molla asta $-W_{1AB}(W_{0AB}+XW_{1AB})/k_{AB}$								$1/4Xb/EJ$
	totali							$25/24Fb^2/EJ$	$35/12Xb/EJ$
	iperstatica $X=W_{AB}$							$-5/14Fb$	

Sviluppi di calcolo iperstatica

$$L_{AB}^{xx} = \int_0^b (1 - 2x/b + x^2/b^2) \cdot 1/EJ \, dx + 1 \cdot 1/4 \cdot b/EJ = \left[x - x^2/b + 1/3 x^3/b^2 \right]_0^b \cdot 1/EJ + 1 \cdot 1/4 \cdot b/EJ$$

$$= (b - b + 1/3 b) \cdot 1/EJ + 1 \cdot 1/4 \cdot b/EJ = 7/12 \cdot b/EJ$$

$$L_{BA}^{xx} = \int_0^b (x^2/b^2) \cdot 1/EJ \, dx + 1 \cdot 1/4 \cdot b/EJ = \left[1/3 x^3/b^2 \right]_0^b \cdot 1/EJ + 1 \cdot 1/4 \cdot b/EJ$$

$$= (1/3 b) \cdot 1/EJ + 1 \cdot 1/4 \cdot b/EJ = 7/12 \cdot b/EJ$$

$$L_{AD}^{xx} = \int_0^{2b} (1) \cdot 1/EJ \, dx = \left[x \right]_0^{2b} \cdot 1/EJ$$

$$= (2b) \cdot 1/EJ = 2 \cdot b/EJ$$

$$L_{DA}^{xx} = \int_0^{2b} (1) \cdot 1/EJ \, dx = \left[x \right]_0^{2b} \cdot 1/EJ$$

$$= (2b) \cdot 1/EJ = 2 \cdot b/EJ$$

$$L_{DE}^{xx} = \int_0^b (1 - 2x/b + x^2/b^2) \cdot 1/EJ \, dx = \left[x - x^2/b + 1/3 x^3/b^2 \right]_0^b \cdot 1/EJ$$

$$= (b - b + 1/3 b) \cdot 1/EJ = 1/3 \cdot b/EJ$$

$$L_{ED}^{xx} = \int_0^b (x^2/b^2) \cdot 1/EJ \, dx = \left[1/3 x^3/b^2 \right]_0^b \cdot 1/EJ$$

$$= (1/3 b) \cdot 1/EJ = 1/3 \cdot b/EJ$$

$$L_{AB}^{xo} = \int_0^b (2x/b - 3/2 x^2/b^2 - 1/2 x^3/b^3) \cdot Fb \cdot 1/EJ \, dx + 1 \cdot 0 \cdot 1/4 \cdot Fb^2/EJ$$

$$= \left[x^2/b - 1/2 x^3/b^2 - 1/8 x^4/b^3 \right]_0^b \cdot Fb \cdot 1/EJ + 1 \cdot 0 \cdot 1/4 \cdot Fb^2/EJ$$

$$= (b - 1/2 b - 1/8 b) \cdot Fb \cdot 1/EJ + 1 \cdot 0 \cdot 1/4 \cdot Fb^2/EJ = 3/8 \cdot Fb^2/EJ$$

$$L_{BA}^{xo} = \int_0^b (5/2 x/b - 3 x^2/b^2 + 1/2 x^3/b^3) \cdot Fb \cdot 1/EJ \, dx + 1 \cdot 0 \cdot 1/4 \cdot Fb^2/EJ$$

$$= \left[5/4 x^2/b - x^3/b^2 + 1/8 x^4/b^3 \right]_0^b \cdot Fb \cdot 1/EJ + 1 \cdot 0 \cdot 1/4 \cdot Fb^2/EJ$$

$$= (5/4 b - b + 1/8 b) \cdot Fb \cdot 1/EJ + 1 \cdot 0 \cdot 1/4 \cdot Fb^2/EJ = 3/8 \cdot Fb^2/EJ$$

$$L_{AD}^{xo} = \int_0^{2b} (1/4 x/b) \cdot Fb \cdot 1/EJ \, dx = \left[1/8 x^2/b \right]_0^{2b} \cdot Fb \cdot 1/EJ$$

$$= (1/2 b) \cdot Fb \cdot 1/EJ = 1/2 \cdot Fb^2/EJ$$

$$L_{DA}^{xo} = \int_0^{2b} (1/2 - 1/4 x/b) \cdot Fb \cdot 1/EJ \, dx = \left[1/2 x - 1/8 x^2/b \right]_0^{2b} \cdot Fb \cdot 1/EJ$$

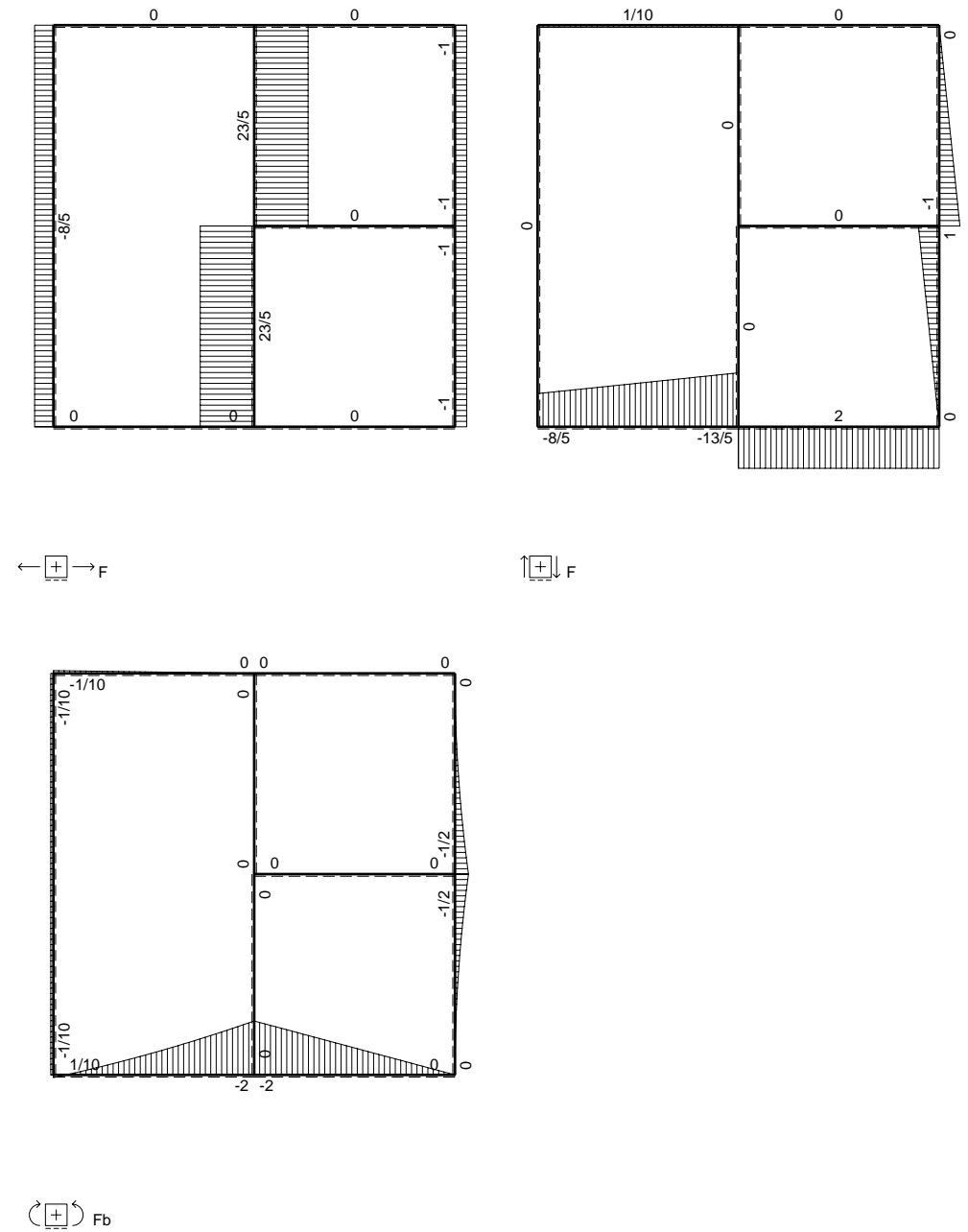
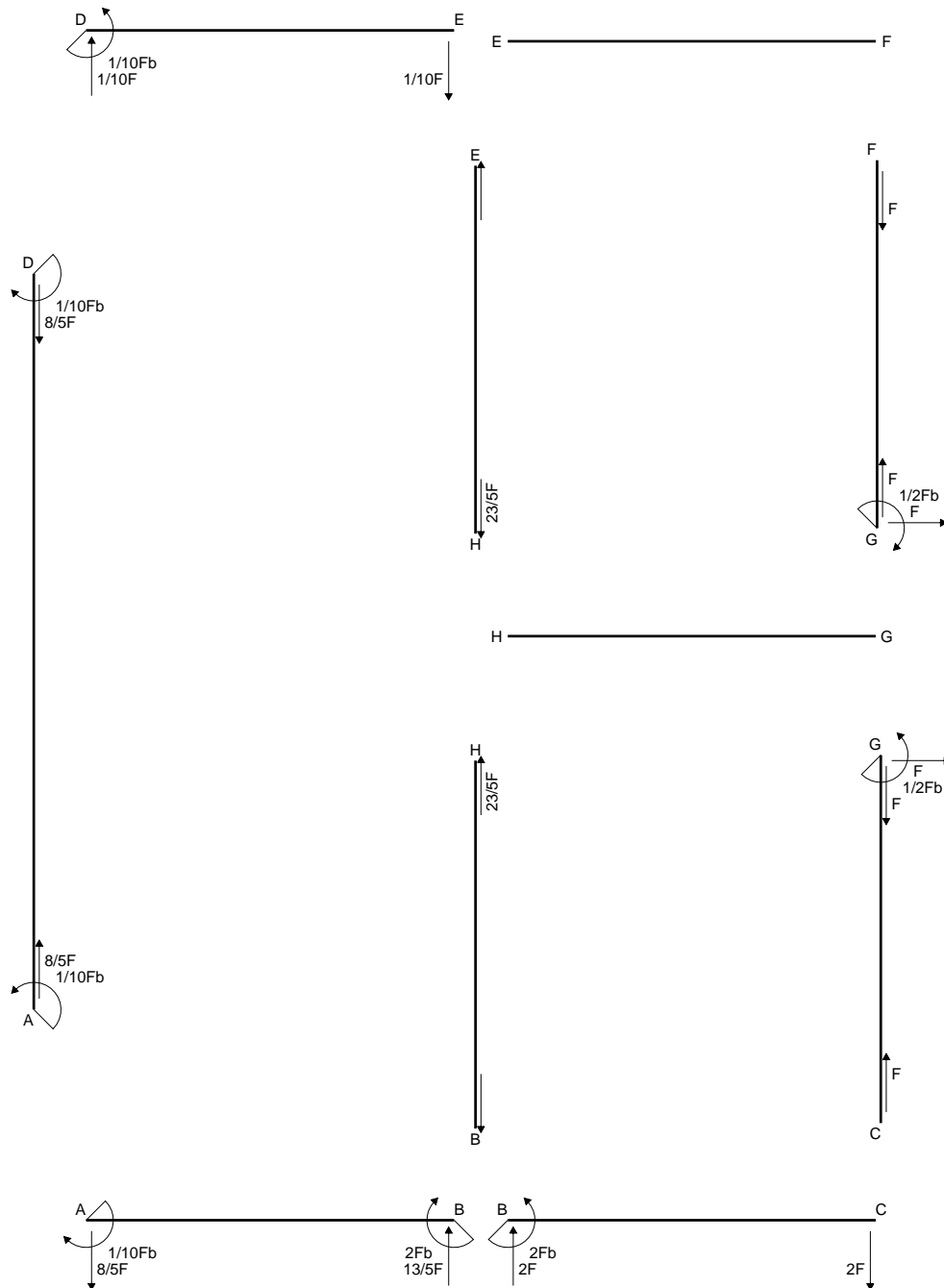
$$= (b - 1/2 b) \cdot Fb \cdot 1/EJ = 1/2 \cdot Fb^2/EJ$$

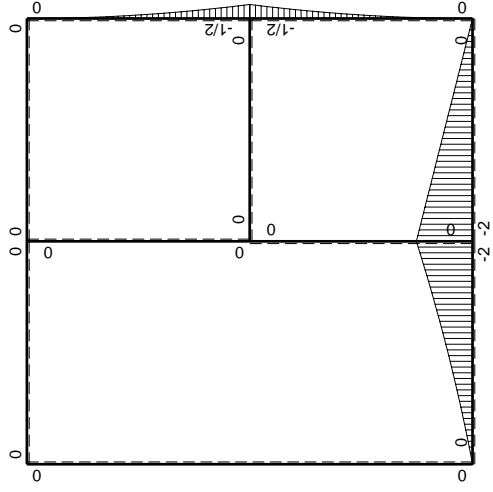
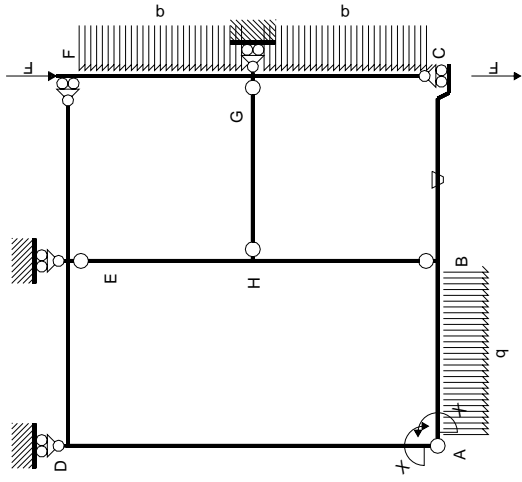
$$L_{DE}^{xo} = \int_0^b (1/2 - x/b + 1/2 x^2/b^2) \cdot Fb \cdot 1/EJ \, dx = \left[1/2 x - 1/2 x^2/b + 1/6 x^3/b^2 \right]_0^b \cdot Fb \cdot 1/EJ$$

$$= (1/2 b - 1/2 b + 1/6 b) \cdot Fb \cdot 1/EJ = 1/6 \cdot Fb^2/EJ$$

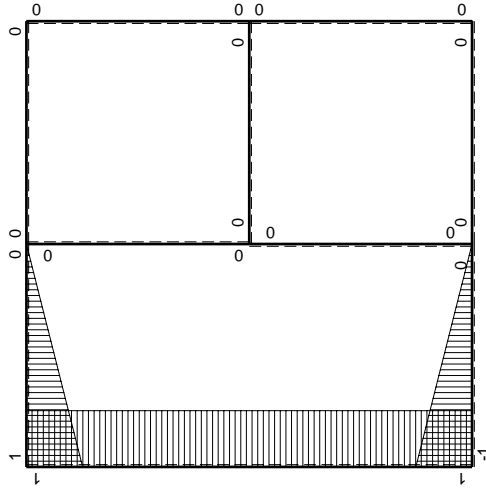
$$L_{ED}^{xo} = \int_0^b (1/2 x^2/b^2) \cdot Fb \cdot 1/EJ \, dx = \left[1/6 x^3/b^2 \right]_0^b \cdot Fb \cdot 1/EJ$$

$$= (1/6 b) \cdot Fb \cdot 1/EJ = 1/6 \cdot Fb^2/EJ$$





M_0 flessione da carichi assegnati



M_x flessione da iperstatica $X=1$

Quadro contributi PLV per iperstatica $X=W_{AB}$

→	$M_x(x)$	$M_o(x)$	θ	$M_x M_o$	$M_x \theta$	$M_x M_x$	$\int M_x(M_o/EJ+\theta)dx$	$\int X M_x M_x/EJ dx$	
AB b	$-1+x/b$	$-3/2Fx-1/2qx^2$	0	$3/2Fx-Fx^2/b-1/2qx^3/b$	0	$1-2x/b+x^2/b^2$	$(7/24+0)Fb^2/EJ$	$1/3Xb/EJ$	
BA b	x/b	$2Fb-5/2Fx+1/2qx^2$	0	$2Fx-5/2Fx^2/b+1/2qx^3/b$	0	x^2/b^2			
BC b	0	$-2Fb+2Fx$	$-Fb/EJ$	0	0	0	0+0	0	
CB b	0	$2Fx$	Fb/EJ	0	0	0			
AD 2b	1	0	0	0	0	1	0+0	2Xb/EJ	
DA 2b	-1	0	0	0	0	1			
DE b	$1-x/b$	0	0	0	0	$1-2x/b+x^2/b^2$	0+0	1/3Xb/EJ	
ED b	$-x/b$	0	0	0	0	x^2/b^2			
EF b	0	0	0	0	0	0	0+0	0	
FE b	0	0	0	0	0	0			
FG b	0	$-1/2qx^2$	0	0	0	0	0+0	0	
GF b	0	$1/2Fb-Fx+1/2qx^2$	0	0	0	0			
GC b	0	$-1/2Fb+Fx-1/2qx^2$	0	0	0	0	0+0	0	
CG b	0	$1/2qx^2$	0	0	0	0			
HG b	0	0	0	0	0	0	0+0	0	
GH b	0	0	0	0	0	0			
HB b	0	0	0	0	0	0	0+0	0	
BH b	0	0	0	0	0	0			
HE b	0	0	0	0	0	0	0+0	0	
EH b	0	0	0	0	0	0			
AB	molla asta $-W_{1AB} (W_{0AB} + XW_{1AB})/k_{AB}$								1/4Xb/EJ
	totali							$7/24Fb^2/EJ$	$35/12Xb/EJ$
	iperstatica $X=W_{AB}$							$-1/10Fb$	

Sviluppi di calcolo iperstatica

$$L_{AB}^{xx} = \int_0^b (1 - 2x/b + x^2/b^2) \cdot 1/EJ \, dx + 1 \cdot 1/4 \cdot b/EJ = \left[x - x^2/b + 1/3 x^3/b^2 \right]_0^b \cdot 1/EJ + 1 \cdot 1/4 \cdot b/EJ$$

$$= (b - b + 1/3 b) \cdot 1/EJ + 1 \cdot 1/4 \cdot b/EJ = 7/12 \cdot b/EJ$$

$$L_{BA}^{xx} = \int_0^b (x^2/b^2) \cdot 1/EJ \, dx + 1 \cdot 1/4 \cdot b/EJ = \left[1/3 x^3/b^2 \right]_0^b \cdot 1/EJ + 1 \cdot 1/4 \cdot b/EJ$$

$$= (1/3 b) \cdot 1/EJ + 1 \cdot 1/4 \cdot b/EJ = 7/12 \cdot b/EJ$$

$$L_{AD}^{xx} = \int_0^{2b} (1) \cdot 1/EJ \, dx = \left[x \right]_0^{2b} \cdot 1/EJ$$

$$= (2b) \cdot 1/EJ = 2 \cdot b/EJ$$

$$L_{DA}^{xx} = \int_0^{2b} (1) \cdot 1/EJ \, dx = \left[x \right]_0^{2b} \cdot 1/EJ$$

$$= (2b) \cdot 1/EJ = 2 \cdot b/EJ$$

$$L_{DE}^{xx} = \int_0^b (1 - 2x/b + x^2/b^2) \cdot 1/EJ \, dx = \left[x - x^2/b + 1/3 x^3/b^2 \right]_0^b \cdot 1/EJ$$

$$= (b - b + 1/3 b) \cdot 1/EJ = 1/3 \cdot b/EJ$$

$$L_{ED}^{xx} = \int_0^b (x^2/b^2) \cdot 1/EJ \, dx = \left[1/3 x^3/b^2 \right]_0^b \cdot 1/EJ$$

$$= (1/3 b) \cdot 1/EJ = 1/3 \cdot b/EJ$$

$$L_{AB}^{xo} = \int_0^b (3/2 x/b - x^2/b^2 - 1/2 x^3/b^3) \cdot Fb \cdot 1/EJ \, dx + 1 \cdot 0 \cdot 1/4 \cdot Fb^2/EJ$$

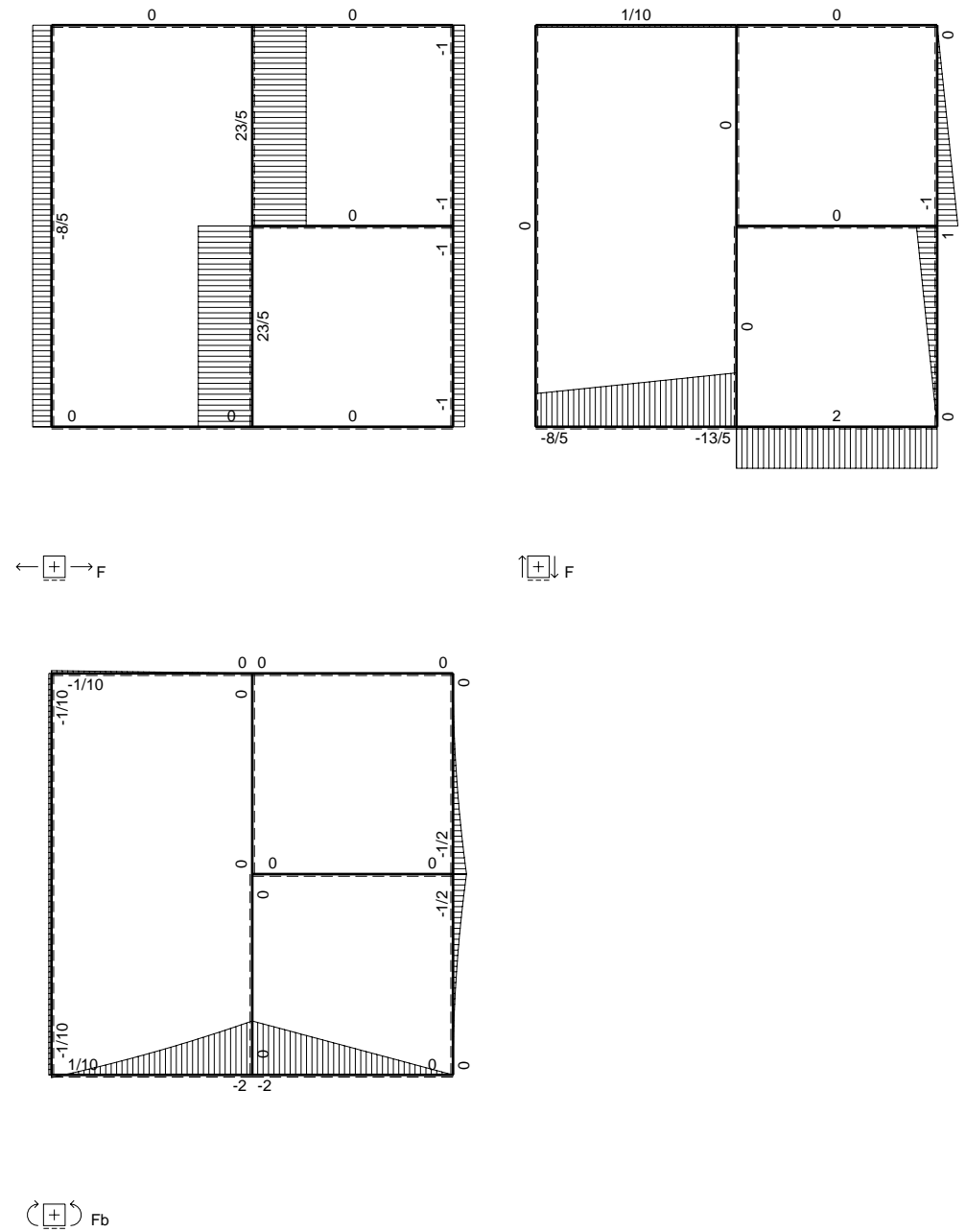
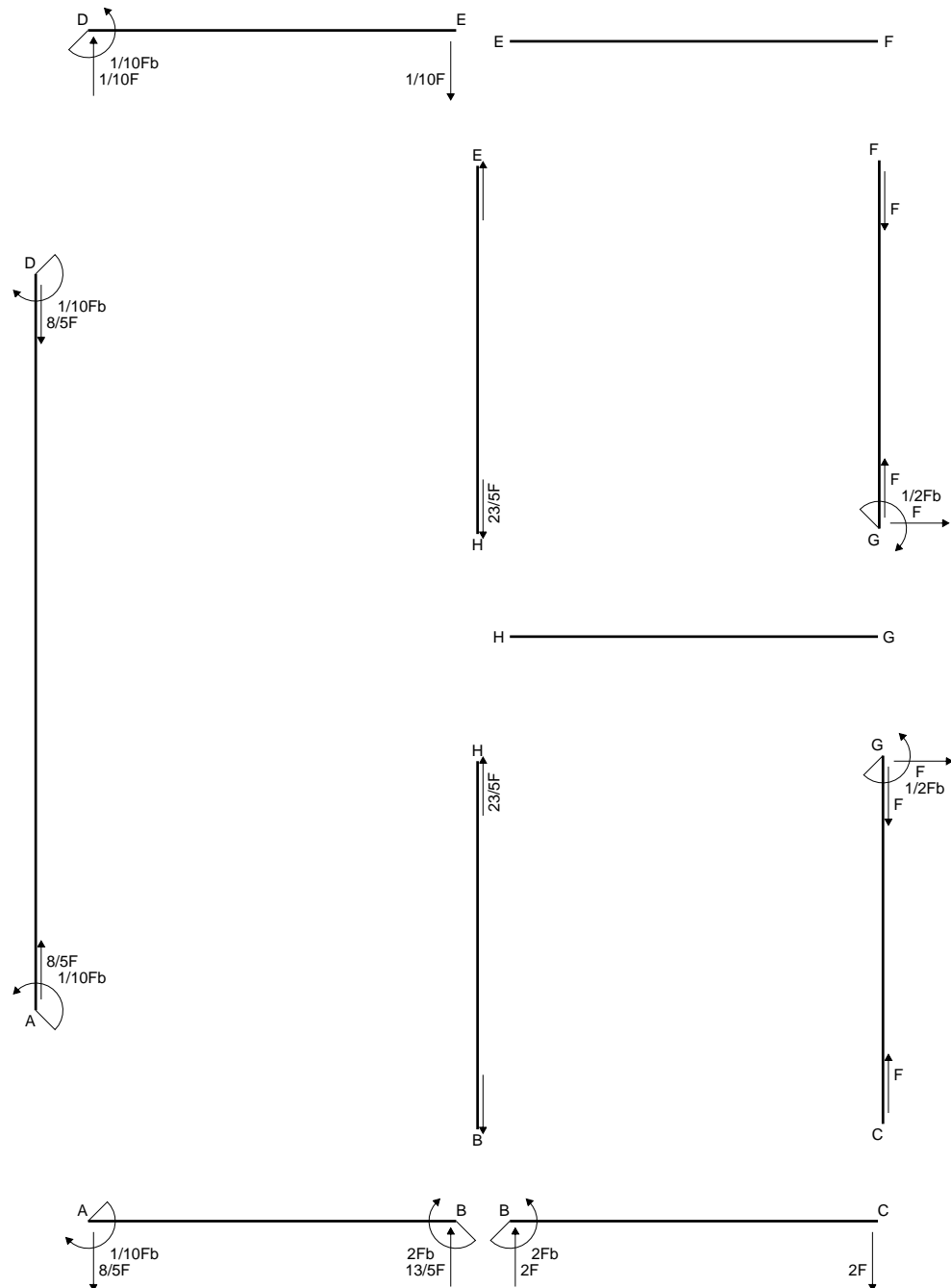
$$= \left[3/4 x^2/b - 1/3 x^3/b^2 - 1/8 x^4/b^3 \right]_0^b \cdot Fb \cdot 1/EJ + 1 \cdot 0 \cdot 1/4 \cdot Fb^2/EJ$$

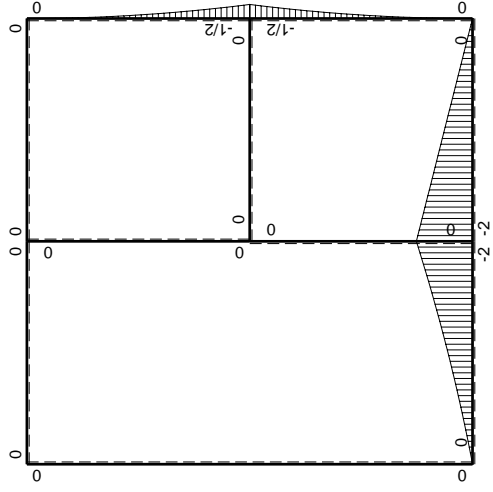
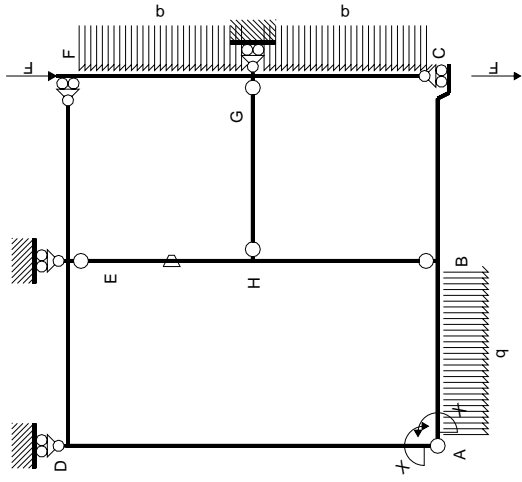
$$= (3/4 b - 1/3 b - 1/8 b) \cdot Fb \cdot 1/EJ + 1 \cdot 0 \cdot 1/4 \cdot Fb^2/EJ = 7/24 \cdot Fb^2/EJ$$

$$L_{BA}^{xo} = \int_0^b (2x/b - 5/2 x^2/b^2 + 1/2 x^3/b^3) \cdot Fb \cdot 1/EJ \, dx + 1 \cdot 0 \cdot 1/4 \cdot Fb^2/EJ$$

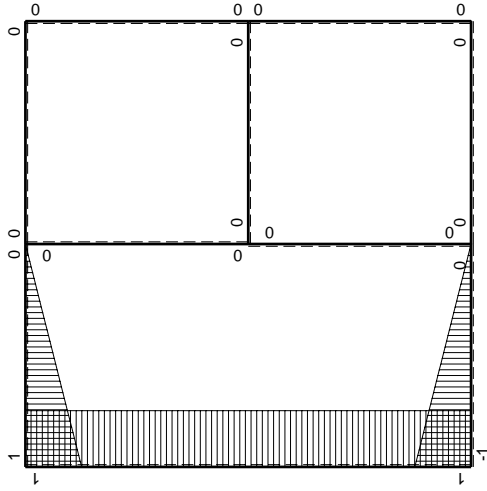
$$= \left[x^2/b - 5/6 x^3/b^2 + 1/8 x^4/b^3 \right]_0^b \cdot Fb \cdot 1/EJ + 1 \cdot 0 \cdot 1/4 \cdot Fb^2/EJ$$

$$= (b - 5/6 b + 1/8 b) \cdot Fb \cdot 1/EJ + 1 \cdot 0 \cdot 1/4 \cdot Fb^2/EJ = 7/24 \cdot Fb^2/EJ$$





M_0 flessione da carichi assegnati



M_x flessione da iperstatica $X=1$

Quadro contributi PLV per iperstatica $X=W_{AB}$

→	$M_x(x)$	$M_o(x)$	θ	$M_x M_o$	$M_x \theta$	$M_x M_x$	$\int M_x(M_o/EJ+\theta)dx$	$\int X M_x M_x/EJ dx$	
AB b	$-1+x/b$	$-3/2Fx-1/2qx^2$	0	$3/2Fx-Fx^2/b-1/2qx^3/b$	0	$1-2x/b+x^2/b^2$	$(7/24+0)Fb^2/EJ$	$1/3Xb/EJ$	
BA b	x/b	$2Fb-5/2Fx+1/2qx^2$	0	$2Fx-5/2Fx^2/b+1/2qx^3/b$	0	x^2/b^2			
BC b	0	$-2Fb+2Fx$	0	0	0	0	0+0	0	
CB b	0	$2Fx$	0	0	0	0			
AD 2b	1	0	0	0	0	1	0+0	$2Xb/EJ$	
DA 2b	-1	0	0	0	0	1			
DE b	$1-x/b$	0	0	0	0	$1-2x/b+x^2/b^2$	0+0	$1/3Xb/EJ$	
ED b	$-x/b$	0	0	0	0	x^2/b^2			
EF b	0	0	0	0	0	0	0+0	0	
FE b	0	0	0	0	0	0			
FG b	0	$-1/2qx^2$	0	0	0	0	0+0	0	
GF b	0	$1/2Fb-Fx+1/2qx^2$	0	0	0	0			
GC b	0	$-1/2Fb+Fx-1/2qx^2$	0	0	0	0	0+0	0	
CG b	0	$1/2qx^2$	0	0	0	0			
HG b	0	0	0	0	0	0	0+0	0	
GH b	0	0	0	0	0	0			
HB b	0	0	0	0	0	0	0+0	0	
BH b	0	0	0	0	0	0			
HE b	0	0	$-Fb/EJ$	0	0	0	0+0	0	
EH b	0	0	Fb/EJ	0	0	0			
AB	molla asta $-W_{1AB}(W_{0AB}+XW_{1AB})/k_{AB}$								$1/4Xb/EJ$
	totali							$7/24Fb^2/EJ$	$35/12Xb/EJ$
	iperstatica $X=W_{AB}$							$-1/10Fb$	

Sviluppi di calcolo iperstatica

$$L_{AB}^{xx} = \int_0^b (1 - 2x/b + x^2/b^2) \frac{1}{EJ} dx + 1 \cdot 1 \cdot \frac{1}{4} \frac{b}{EJ} = \left[x - \frac{x^2}{b} + \frac{1}{3} \frac{x^3}{b^2} \right]_0^b \frac{1}{EJ} + 1 \cdot 1 \cdot \frac{1}{4} \frac{b}{EJ}$$

$$= (b - b + \frac{1}{3}b) \frac{1}{EJ} + 1 \cdot 1 \cdot \frac{1}{4} \frac{b}{EJ} = \frac{7}{12} \frac{b}{EJ}$$

$$L_{BA}^{xx} = \int_0^b (x^2/b^2) \frac{1}{EJ} dx + 1 \cdot 1 \cdot \frac{1}{4} \frac{b}{EJ} = \left[\frac{1}{3} \frac{x^3}{b^2} \right]_0^b \frac{1}{EJ} + 1 \cdot 1 \cdot \frac{1}{4} \frac{b}{EJ}$$

$$= (\frac{1}{3}b) \frac{1}{EJ} + 1 \cdot 1 \cdot \frac{1}{4} \frac{b}{EJ} = \frac{7}{12} \frac{b}{EJ}$$

$$L_{AD}^{xx} = \int_0^{2b} (1) \frac{1}{EJ} dx = \left[x \right]_0^{2b} \frac{1}{EJ}$$

$$= (2b) \frac{1}{EJ} = 2 \frac{b}{EJ}$$

$$L_{DA}^{xx} = \int_0^{2b} (1) \frac{1}{EJ} dx = \left[x \right]_0^{2b} \frac{1}{EJ}$$

$$= (2b) \frac{1}{EJ} = 2 \frac{b}{EJ}$$

$$L_{DE}^{xx} = \int_0^b (1 - 2x/b + x^2/b^2) \frac{1}{EJ} dx = \left[x - \frac{x^2}{b} + \frac{1}{3} \frac{x^3}{b^2} \right]_0^b \frac{1}{EJ}$$

$$= (b - b + \frac{1}{3}b) \frac{1}{EJ} = \frac{1}{3} \frac{b}{EJ}$$

$$L_{ED}^{xx} = \int_0^b (x^2/b^2) \frac{1}{EJ} dx = \left[\frac{1}{3} \frac{x^3}{b^2} \right]_0^b \frac{1}{EJ}$$

$$= (\frac{1}{3}b) \frac{1}{EJ} = \frac{1}{3} \frac{b}{EJ}$$

$$L_{AB}^{xo} = \int_0^b (3/2 x/b - x^2/b^2 - 1/2 x^3/b^3) Fb \frac{1}{EJ} dx + 1 \cdot 0 \cdot \frac{1}{4} \frac{Fb^2}{EJ}$$

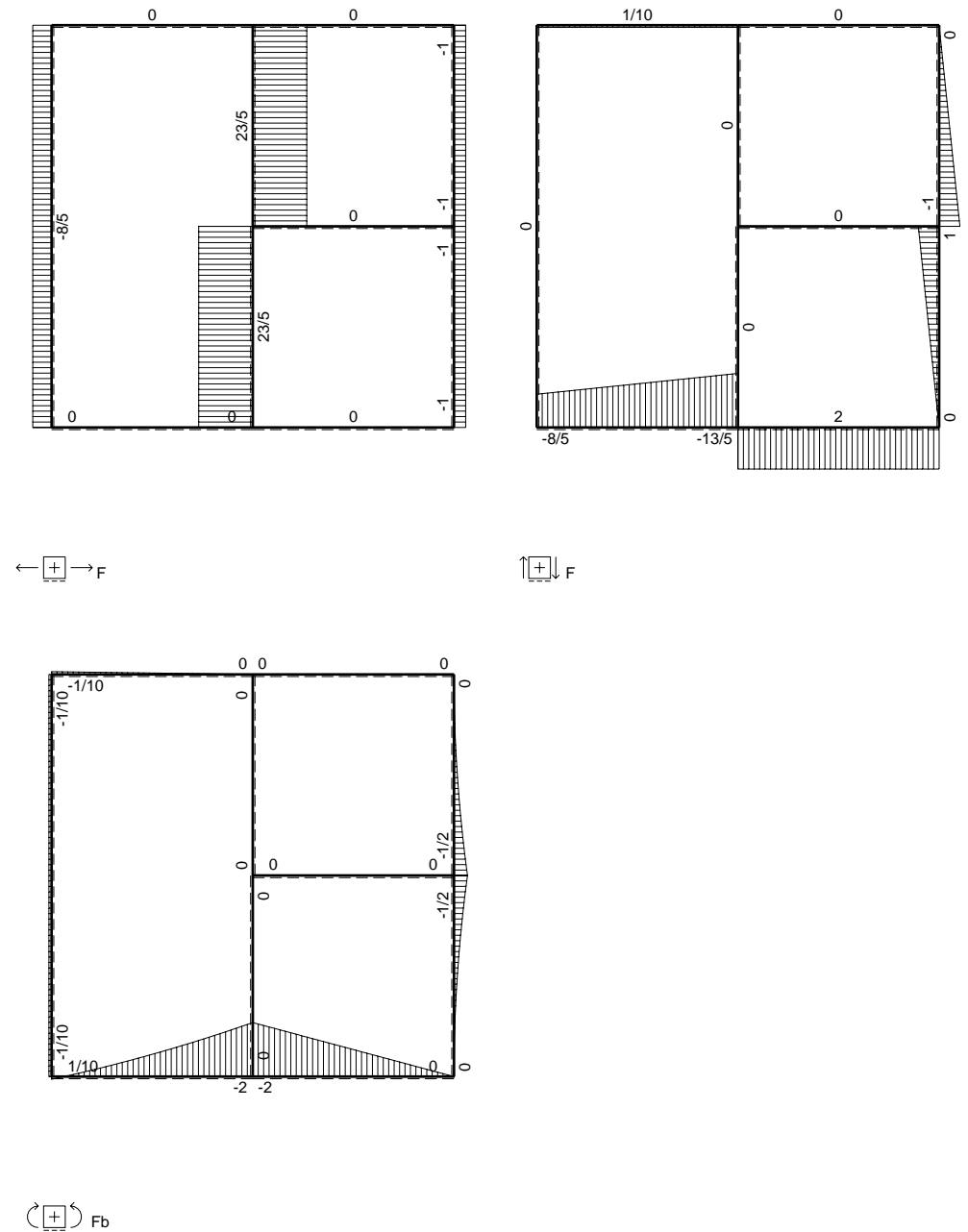
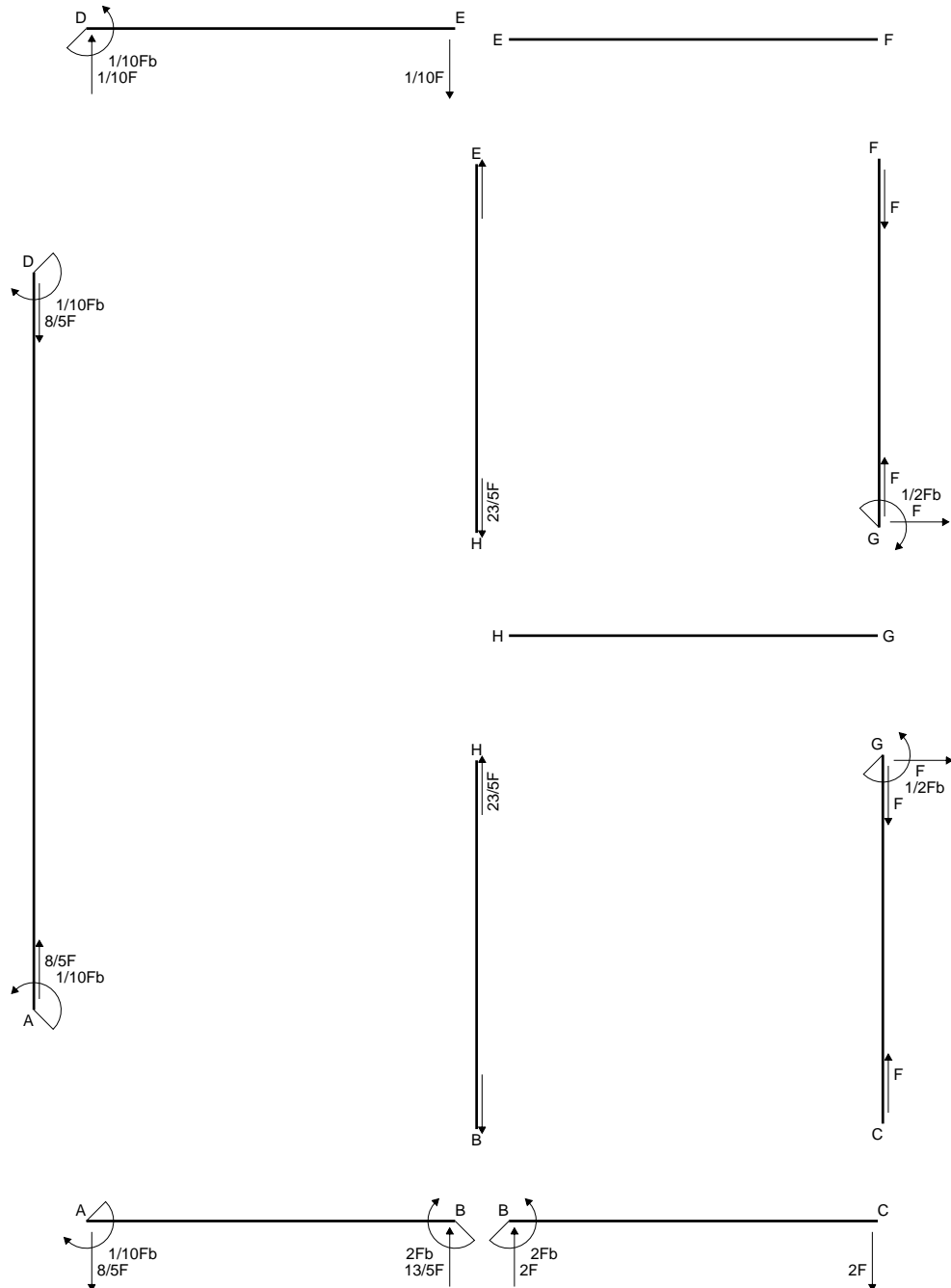
$$= \left[\frac{3}{4} \frac{x^2}{b} - \frac{1}{3} \frac{x^3}{b^2} - \frac{1}{8} \frac{x^4}{b^3} \right]_0^b Fb \frac{1}{EJ} + 1 \cdot 0 \cdot \frac{1}{4} \frac{Fb^2}{EJ}$$

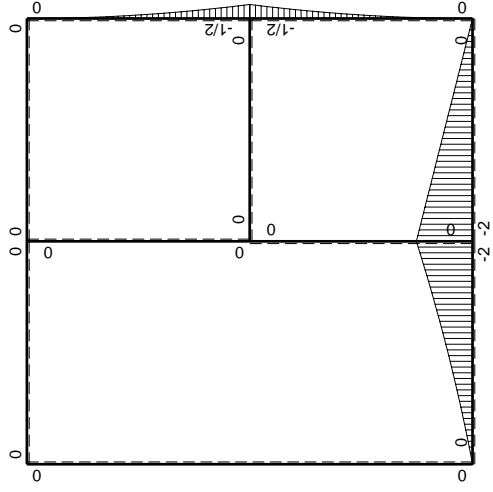
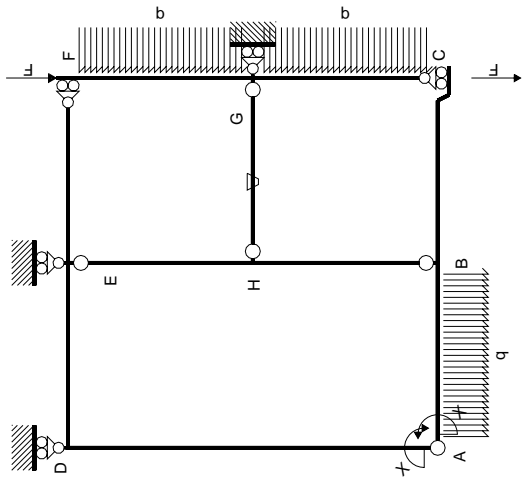
$$= (3/4 b - 1/3 b - 1/8 b) Fb \frac{1}{EJ} + 1 \cdot 0 \cdot \frac{1}{4} \frac{Fb^2}{EJ} = \frac{7}{24} \frac{Fb^2}{EJ}$$

$$L_{BA}^{xo} = \int_0^b (2x/b - 5/2 x^2/b^2 + 1/2 x^3/b^3) Fb \frac{1}{EJ} dx + 1 \cdot 0 \cdot \frac{1}{4} \frac{Fb^2}{EJ}$$

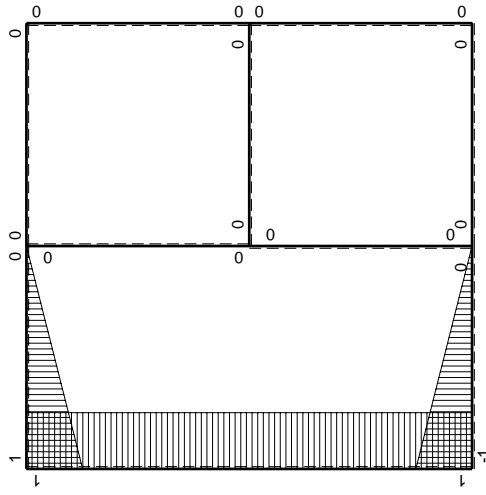
$$= \left[x^2/b - 5/6 x^3/b^2 + 1/8 x^4/b^3 \right]_0^b Fb \frac{1}{EJ} + 1 \cdot 0 \cdot \frac{1}{4} \frac{Fb^2}{EJ}$$

$$= (b - 5/6 b + 1/8 b) Fb \frac{1}{EJ} + 1 \cdot 0 \cdot \frac{1}{4} \frac{Fb^2}{EJ} = \frac{7}{24} \frac{Fb^2}{EJ}$$





M_0 flessione da carichi assegnati



M_X flessione da iperstatica $X=1$

Quadro contributi PLV per iperstatica $X=W_{AB}$

→	$M_x(x)$	$M_o(x)$	θ	$M_x M_o$	$M_x \theta$	$M_x M_x$	$\int M_x(M_o/EJ+\theta)dx$	$\int X M_x M_x/EJ dx$	
AB b	$-1+x/b$	$-3/2Fx-1/2qx^2$	0	$3/2Fx-Fx^2/b-1/2qx^3/b$	0	$1-2x/b+x^2/b^2$	$(7/24+0)Fb^2/EJ$	$1/3Xb/EJ$	
BA b	x/b	$2Fb-5/2Fx+1/2qx^2$	0	$2Fx-5/2Fx^2/b+1/2qx^3/b$	0	x^2/b^2			
BC b	0	$-2Fb+2Fx$	0	0	0	0	0+0	0	
CB b	0	$2Fx$	0	0	0	0			
AD 2b	1	0	0	0	0	1	0+0	$2Xb/EJ$	
DA 2b	-1	0	0	0	0	1			
DE b	$1-x/b$	0	0	0	0	$1-2x/b+x^2/b^2$	0+0	$1/3Xb/EJ$	
ED b	$-x/b$	0	0	0	0	x^2/b^2			
EF b	0	0	0	0	0	0	0+0	0	
FE b	0	0	0	0	0	0			
FG b	0	$-1/2qx^2$	0	0	0	0	0+0	0	
GF b	0	$1/2Fb-Fx+1/2qx^2$	0	0	0	0			
GC b	0	$-1/2Fb+Fx-1/2qx^2$	0	0	0	0	0+0	0	
CG b	0	$1/2qx^2$	0	0	0	0			
HG b	0	0	$-Fb/EJ$	0	0	0	0+0	0	
GH b	0	0	Fb/EJ	0	0	0			
HB b	0	0	0	0	0	0	0+0	0	
BH b	0	0	0	0	0	0			
HE b	0	0	0	0	0	0	0+0	0	
EH b	0	0	0	0	0	0			
AB	molla asta $-W_{1AB}(W_{0AB}+XW_{1AB})/k_{AB}$								$1/4Xb/EJ$
	totali							$7/24Fb^2/EJ$	$35/12Xb/EJ$
	iperstatica $X=W_{AB}$							$-1/10Fb$	

Sviluppi di calcolo iperstatica

$$L_{AB}^{xx} = \int_0^b (1 - 2x/b + x^2/b^2) \cdot 1/EJ \, dx + 1 \cdot 1/4 \cdot b/EJ = \left[x - x^2/b + 1/3 x^3/b^2 \right]_0^b \cdot 1/EJ + 1 \cdot 1/4 \cdot b/EJ$$

$$= (b - b + 1/3 b) \cdot 1/EJ + 1 \cdot 1/4 \cdot b/EJ = 7/12 \cdot b/EJ$$

$$L_{BA}^{xx} = \int_0^b (x^2/b^2) \cdot 1/EJ \, dx + 1 \cdot 1/4 \cdot b/EJ = \left[1/3 x^3/b^2 \right]_0^b \cdot 1/EJ + 1 \cdot 1/4 \cdot b/EJ$$

$$= (1/3 b) \cdot 1/EJ + 1 \cdot 1/4 \cdot b/EJ = 7/12 \cdot b/EJ$$

$$L_{AD}^{xx} = \int_0^{2b} (1) \cdot 1/EJ \, dx = \left[x \right]_0^{2b} \cdot 1/EJ$$

$$= (2b) \cdot 1/EJ = 2 \cdot b/EJ$$

$$L_{DA}^{xx} = \int_0^{2b} (1) \cdot 1/EJ \, dx = \left[x \right]_0^{2b} \cdot 1/EJ$$

$$= (2b) \cdot 1/EJ = 2 \cdot b/EJ$$

$$L_{DE}^{xx} = \int_0^b (1 - 2x/b + x^2/b^2) \cdot 1/EJ \, dx = \left[x - x^2/b + 1/3 x^3/b^2 \right]_0^b \cdot 1/EJ$$

$$= (b - b + 1/3 b) \cdot 1/EJ = 1/3 \cdot b/EJ$$

$$L_{ED}^{xx} = \int_0^b (x^2/b^2) \cdot 1/EJ \, dx = \left[1/3 x^3/b^2 \right]_0^b \cdot 1/EJ$$

$$= (1/3 b) \cdot 1/EJ = 1/3 \cdot b/EJ$$

$$L_{AB}^{xo} = \int_0^b (3/2 x/b - x^2/b^2 - 1/2 x^3/b^3) \cdot Fb \cdot 1/EJ \, dx + 1 \cdot 0 \cdot 1/4 \cdot Fb^2/EJ$$

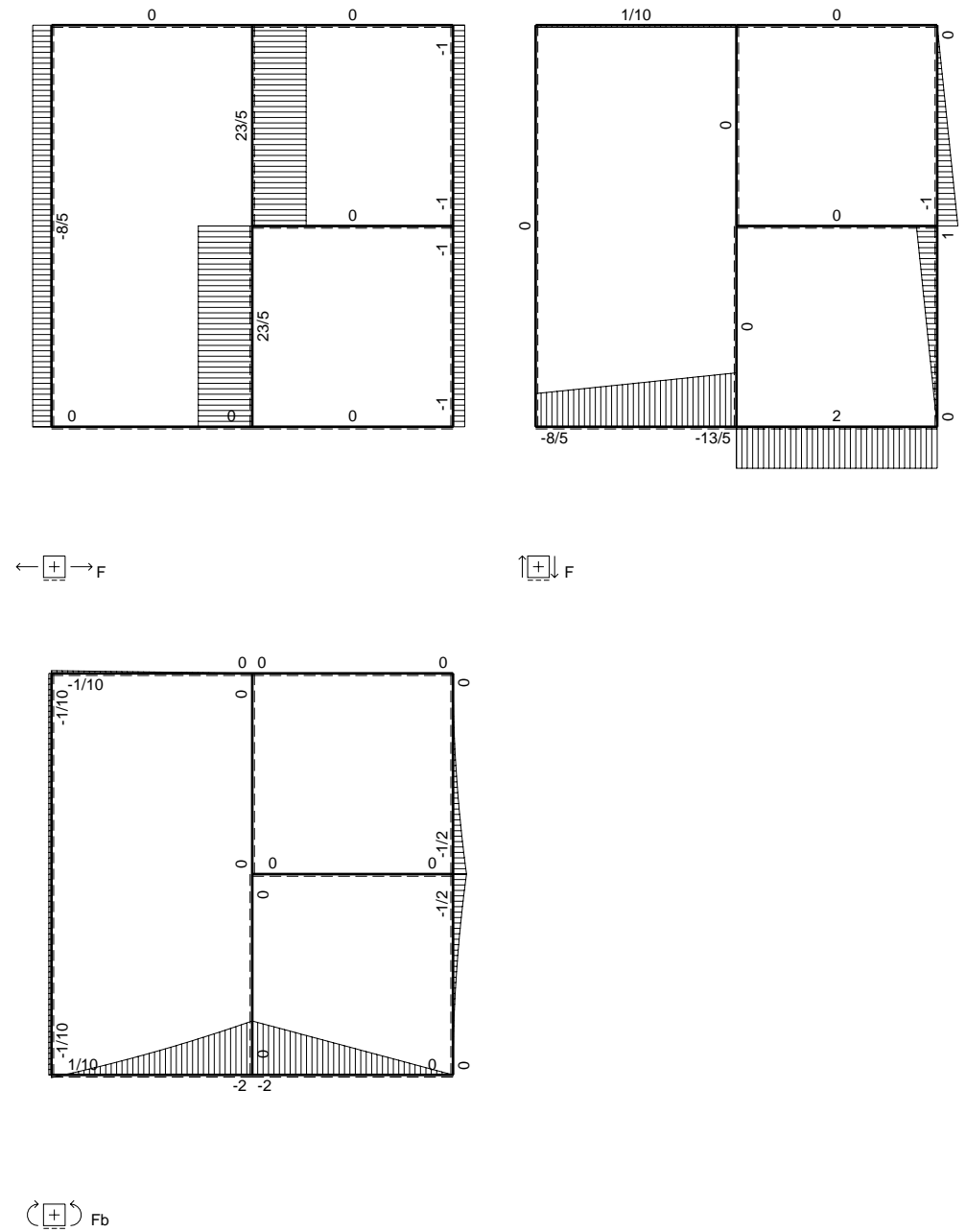
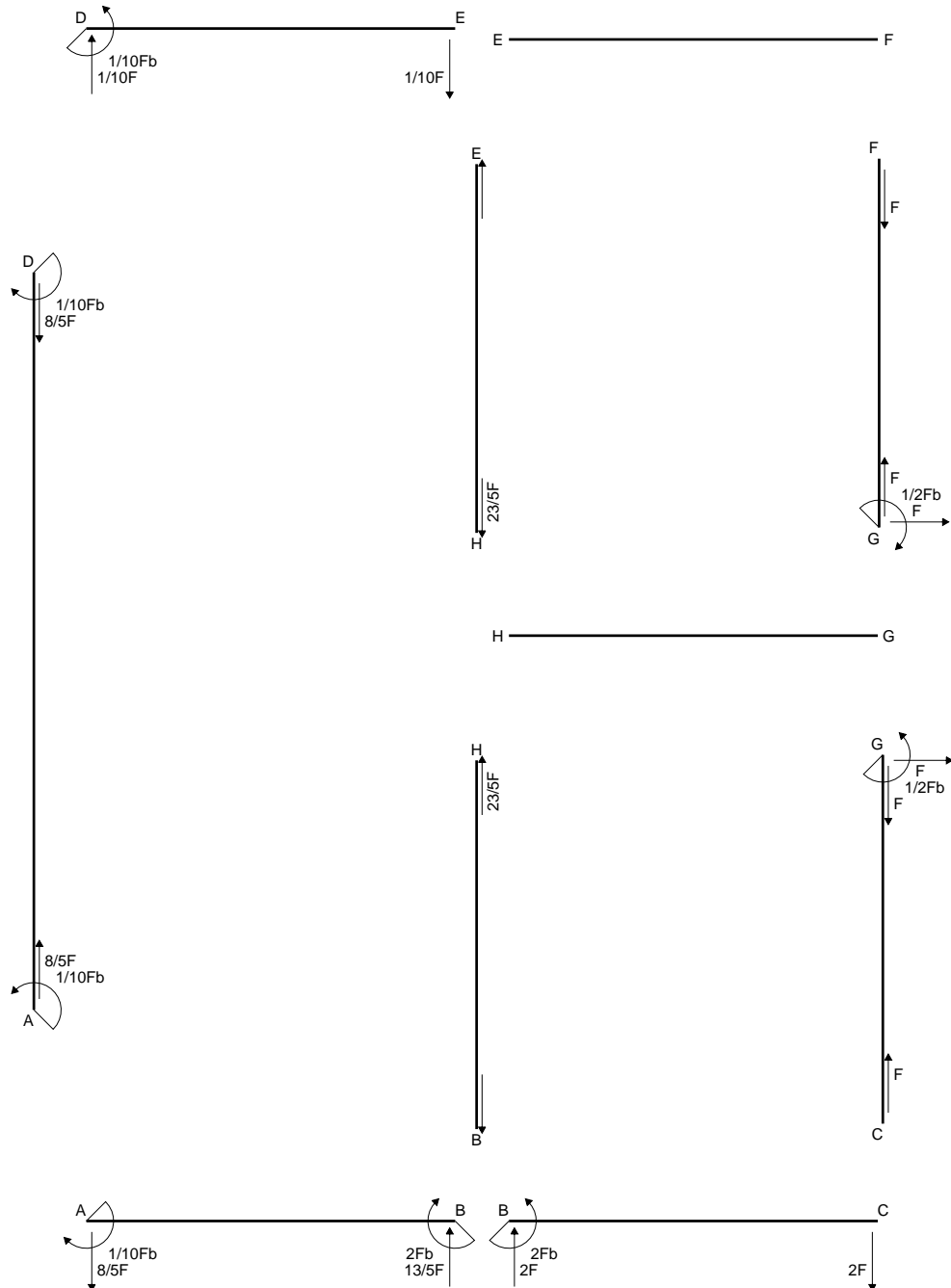
$$= \left[3/4 x^2/b - 1/3 x^3/b^2 - 1/8 x^4/b^3 \right]_0^b \cdot Fb \cdot 1/EJ + 1 \cdot 0 \cdot 1/4 \cdot Fb^2/EJ$$

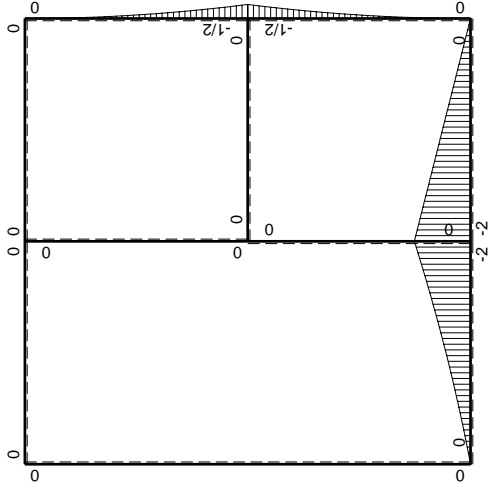
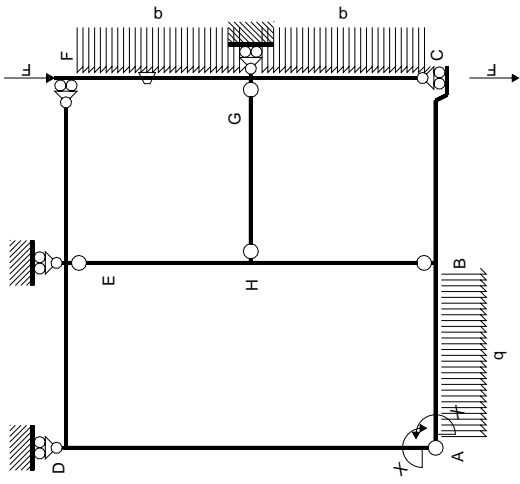
$$= (3/4 b - 1/3 b - 1/8 b) \cdot Fb \cdot 1/EJ + 1 \cdot 0 \cdot 1/4 \cdot Fb^2/EJ = 7/24 \cdot Fb^2/EJ$$

$$L_{BA}^{xo} = \int_0^b (2x/b - 5/2 x^2/b^2 + 1/2 x^3/b^3) \cdot Fb \cdot 1/EJ \, dx + 1 \cdot 0 \cdot 1/4 \cdot Fb^2/EJ$$

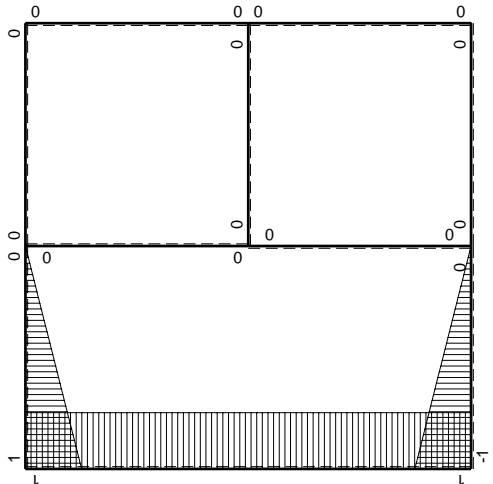
$$= \left[x^2/b - 5/6 x^3/b^2 + 1/8 x^4/b^3 \right]_0^b \cdot Fb \cdot 1/EJ + 1 \cdot 0 \cdot 1/4 \cdot Fb^2/EJ$$

$$= (b - 5/6 b + 1/8 b) \cdot Fb \cdot 1/EJ + 1 \cdot 0 \cdot 1/4 \cdot Fb^2/EJ = 7/24 \cdot Fb^2/EJ$$





M_0 flessione da carichi assegnati



M_X flessione da iperstatica X=1

Quadro contributi PLV per iperstatica $X=W_{AB}$

→	$M_x(x)$	$M_o(x)$	θ	$M_x M_o$	$M_x \theta$	$M_x M_x$	$\int M_x(M_o/EJ+\theta)dx$	$\int X M_x M_x/EJ dx$	
AB b	$-1+x/b$	$-3/2Fx-1/2qx^2$	0	$3/2Fx-Fx^2/b-1/2qx^3/b$	0	$1-2x/b+x^2/b^2$	$(7/24+0)Fb^2/EJ$	$1/3Xb/EJ$	
BA b	x/b	$2Fb-5/2Fx+1/2qx^2$	0	$2Fx-5/2Fx^2/b+1/2qx^3/b$	0	x^2/b^2			
BC b	0	$-2Fb+2Fx$	0	0	0	0	0+0	0	
CB b	0	$2Fx$	0	0	0	0			
AD 2b	1	0	0	0	0	1	0+0	$2Xb/EJ$	
DA 2b	-1	0	0	0	0	1			
DE b	$1-x/b$	0	0	0	0	$1-2x/b+x^2/b^2$	0+0	$1/3Xb/EJ$	
ED b	$-x/b$	0	0	0	0	x^2/b^2			
EF b	0	0	0	0	0	0	0+0	0	
FE b	0	0	0	0	0	0			
FG b	0	$-1/2qx^2$	$-Fb/EJ$	0	0	0	0+0	0	
GF b	0	$1/2Fb-Fx+1/2qx^2$	Fb/EJ	0	0	0			
GC b	0	$-1/2Fb+Fx-1/2qx^2$	0	0	0	0	0+0	0	
CG b	0	$1/2qx^2$	0	0	0	0			
HG b	0	0	0	0	0	0	0+0	0	
GH b	0	0	0	0	0	0			
HB b	0	0	0	0	0	0	0+0	0	
BH b	0	0	0	0	0	0			
HE b	0	0	0	0	0	0	0+0	0	
EH b	0	0	0	0	0	0			
AB	molla asta $-W_{1AB}(W_{0AB}+XW_{1AB})/k_{AB}$								$1/4Xb/EJ$
	totali							$7/24Fb^2/EJ$	$35/12Xb/EJ$
	iperstatica $X=W_{AB}$							$-1/10Fb$	

Sviluppi di calcolo iperstatica

$$L_{AB}^{xx} = \int_0^b (1 - 2x/b + x^2/b^2) \frac{1}{EJ} dx + 1 \cdot 1/4 \cdot b/EJ = \left[x - x^2/b + 1/3 x^3/b^2 \right]_0^b \frac{1}{EJ} + 1 \cdot 1/4 \cdot b/EJ$$

$$= (b - b + 1/3 b) \frac{1}{EJ} + 1 \cdot 1/4 \cdot b/EJ = 7/12 \cdot b/EJ$$

$$L_{BA}^{xx} = \int_0^b (x^2/b^2) \frac{1}{EJ} dx + 1 \cdot 1/4 \cdot b/EJ = \left[1/3 x^3/b^2 \right]_0^b \frac{1}{EJ} + 1 \cdot 1/4 \cdot b/EJ$$

$$= (1/3 b) \frac{1}{EJ} + 1 \cdot 1/4 \cdot b/EJ = 7/12 \cdot b/EJ$$

$$L_{AD}^{xx} = \int_0^{2b} (1) \frac{1}{EJ} dx = \left[x \right]_0^{2b} \frac{1}{EJ}$$

$$= (2b) \frac{1}{EJ} = 2 \cdot b/EJ$$

$$L_{DA}^{xx} = \int_0^{2b} (1) \frac{1}{EJ} dx = \left[x \right]_0^{2b} \frac{1}{EJ}$$

$$= (2b) \frac{1}{EJ} = 2 \cdot b/EJ$$

$$L_{DE}^{xx} = \int_0^b (1 - 2x/b + x^2/b^2) \frac{1}{EJ} dx = \left[x - x^2/b + 1/3 x^3/b^2 \right]_0^b \frac{1}{EJ}$$

$$= (b - b + 1/3 b) \frac{1}{EJ} = 1/3 \cdot b/EJ$$

$$L_{ED}^{xx} = \int_0^b (x^2/b^2) \frac{1}{EJ} dx = \left[1/3 x^3/b^2 \right]_0^b \frac{1}{EJ}$$

$$= (1/3 b) \frac{1}{EJ} = 1/3 \cdot b/EJ$$

$$L_{AB}^{xo} = \int_0^b (3/2 x/b - x^2/b^2 - 1/2 x^3/b^3) Fb \frac{1}{EJ} dx + 1 \cdot 0 \cdot 1/4 \cdot Fb^2/EJ$$

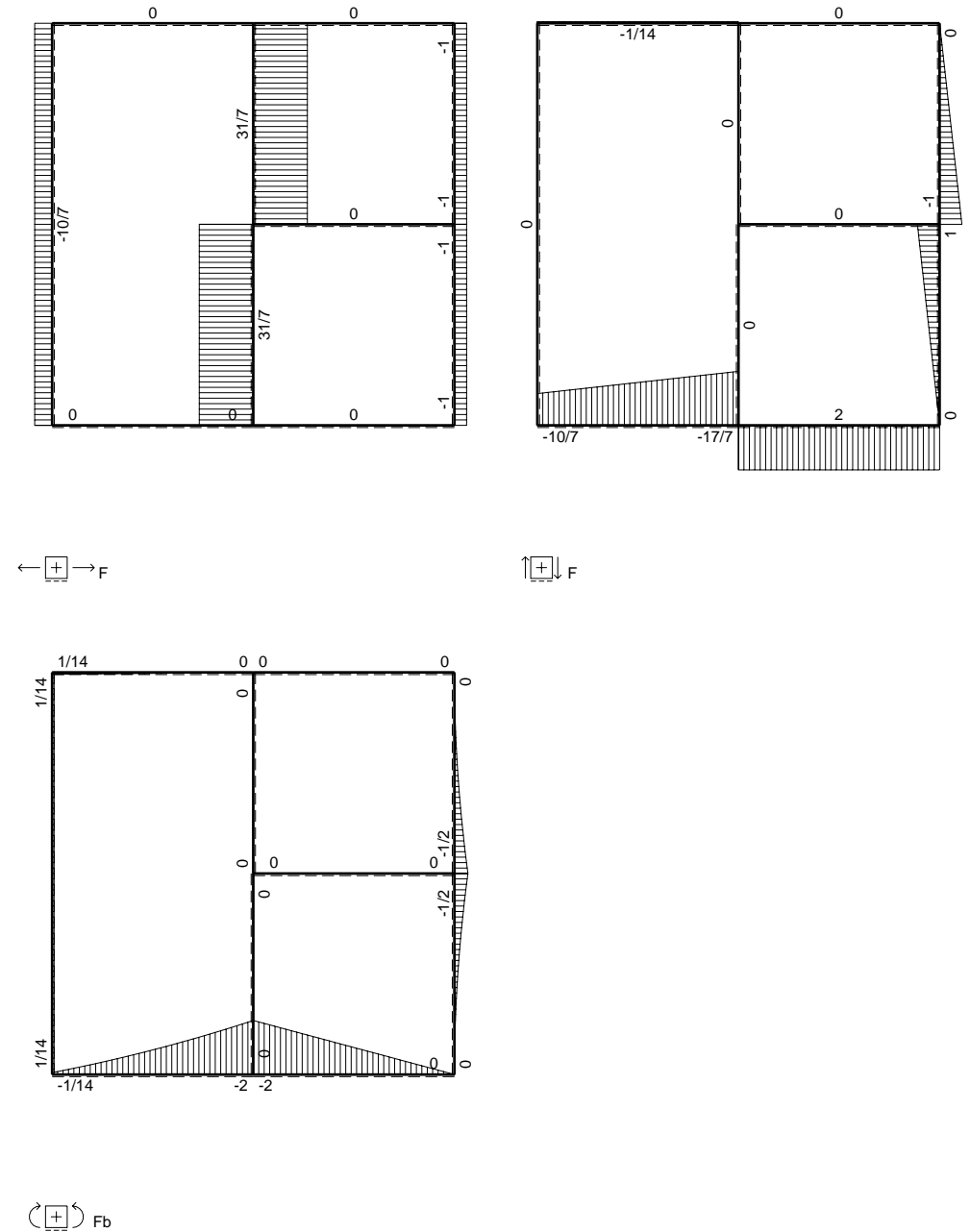
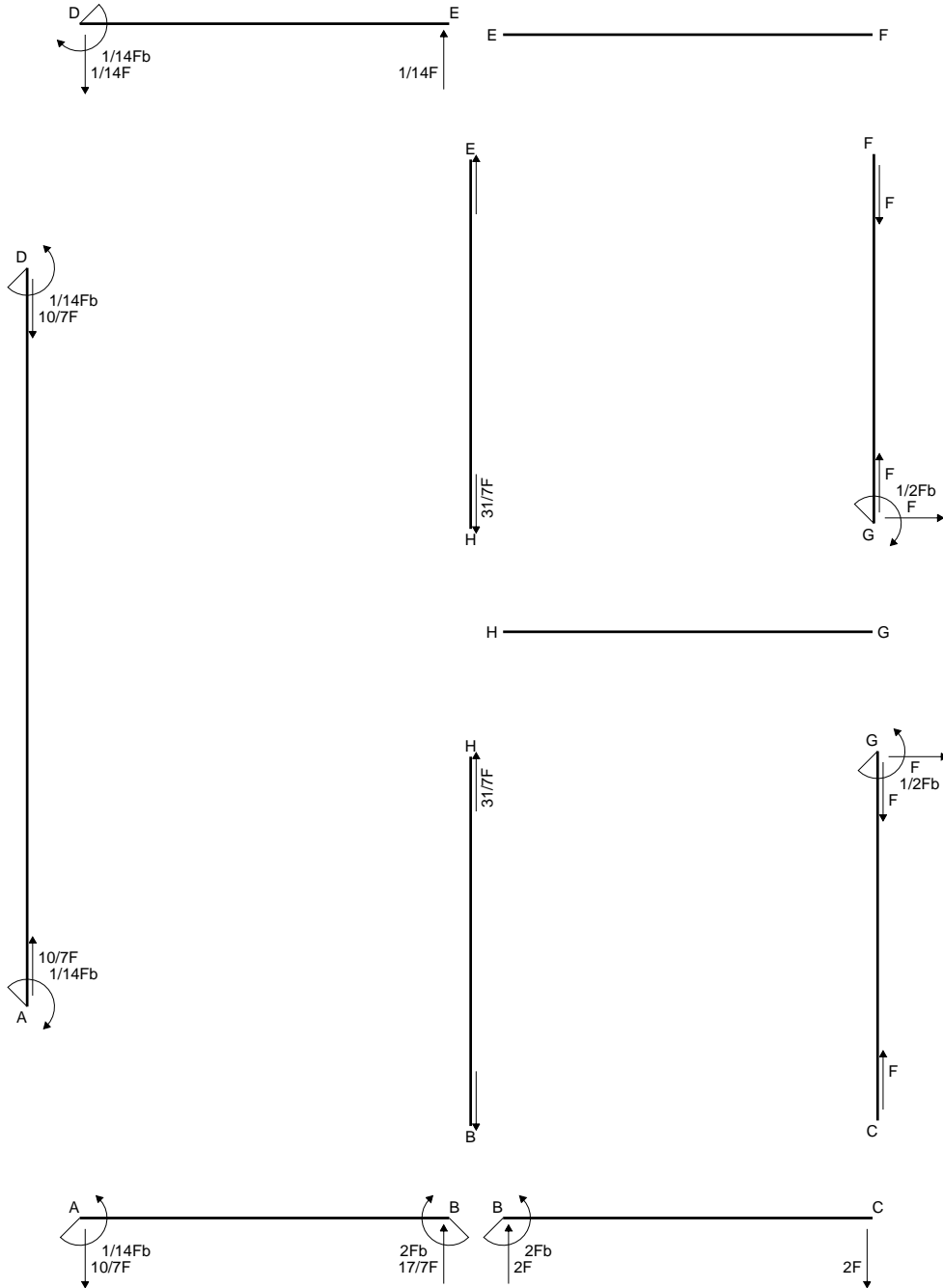
$$= \left[3/4 x^2/b - 1/3 x^3/b^2 - 1/8 x^4/b^3 \right]_0^b Fb \frac{1}{EJ} + 1 \cdot 0 \cdot 1/4 \cdot Fb^2/EJ$$

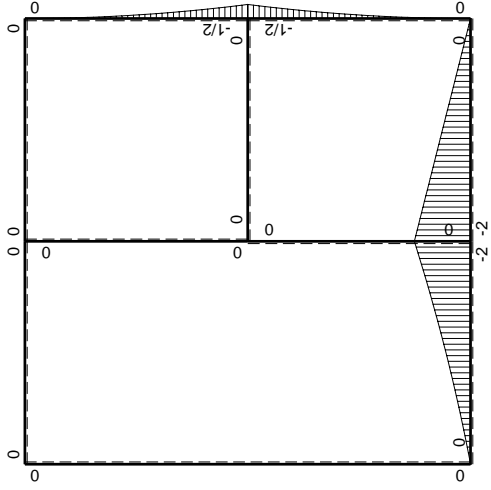
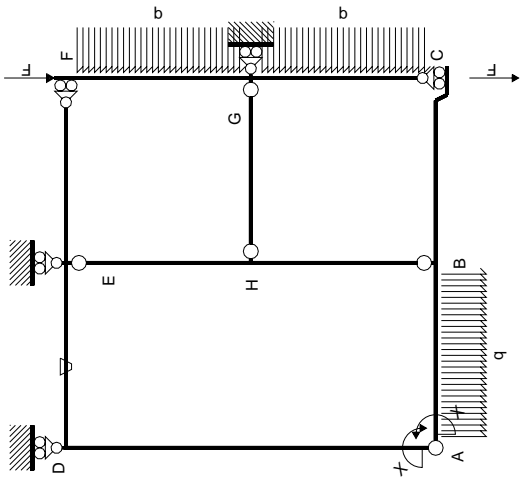
$$= (3/4 b - 1/3 b - 1/8 b) Fb \frac{1}{EJ} + 1 \cdot 0 \cdot 1/4 \cdot Fb^2/EJ = 7/24 \cdot Fb^2/EJ$$

$$L_{BA}^{xo} = \int_0^b (2x/b - 5/2 x^2/b^2 + 1/2 x^3/b^3) Fb \frac{1}{EJ} dx + 1 \cdot 0 \cdot 1/4 \cdot Fb^2/EJ$$

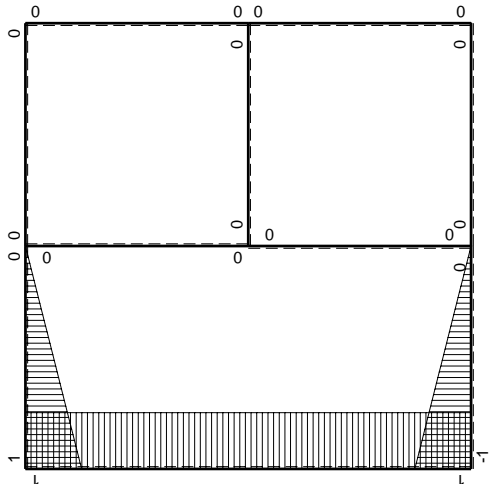
$$= \left[x^2/b - 5/6 x^3/b^2 + 1/8 x^4/b^3 \right]_0^b Fb \frac{1}{EJ} + 1 \cdot 0 \cdot 1/4 \cdot Fb^2/EJ$$

$$= (b - 5/6 b + 1/8 b) Fb \frac{1}{EJ} + 1 \cdot 0 \cdot 1/4 \cdot Fb^2/EJ = 7/24 \cdot Fb^2/EJ$$





M_0 flessione da carichi assegnati



M_x flessione da iperstatica X=1

Quadro contributi PLV per iperstatica $X=W_{AB}$

→	$M_x(x)$	$M_o(x)$	θ	$M_x M_o$	$M_x \theta$	$M_x M_x$	$\int M_x(M_o/EJ+\theta)dx$	$\int X M_x M_x / EJ dx$	
AB b	$-1+x/b$	$-3/2Fx-1/2qx^2$	0	$3/2Fx-Fx^2/b-1/2qx^3/b$	0	$1-2x/b+x^2/b^2$	$(7/24+0)Fb^2/EJ$	$1/3Xb/EJ$	
BA b	x/b	$2Fb-5/2Fx+1/2qx^2$	0	$2Fx-5/2Fx^2/b+1/2qx^3/b$	0	x^2/b^2			
BC b	0	$-2Fb+2Fx$	0	0	0	0	0+0	0	
CB b	0	$2Fx$	0	0	0	0			
AD 2b	1	0	0	0	0	1	0+0	$2Xb/EJ$	
DA 2b	-1	0	0	0	0	1			
DE b	$1-x/b$	0	$-Fb/EJ$	0	$-Fb/EJ+Fx/EJ$	$1-2x/b+x^2/b^2$	$(0-1/2)Fb^2/EJ$	$1/3Xb/EJ$	
ED b	$-x/b$	0	Fb/EJ	0	$-Fx/EJ$	x^2/b^2			
EF b	0	0	0	0	0	0	0+0	0	
FE b	0	0	0	0	0	0			
FG b	0	$-1/2qx^2$	0	0	0	0	0+0	0	
GF b	0	$1/2Fb-Fx+1/2qx^2$	0	0	0	0			
GC b	0	$-1/2Fb+Fx-1/2qx^2$	0	0	0	0	0+0	0	
CG b	0	$1/2qx^2$	0	0	0	0			
HG b	0	0	0	0	0	0	0+0	0	
GH b	0	0	0	0	0	0			
HB b	0	0	0	0	0	0	0+0	0	
BH b	0	0	0	0	0	0			
HE b	0	0	0	0	0	0	0+0	0	
EH b	0	0	0	0	0	0			
AB	molla asta $-W_{1AB}(W_{0AB}+XW_{1AB})/k_{AB}$								$1/4Xb/EJ$
	totali							$-5/24Fb^2/EJ$	$35/12Xb/EJ$
	iperstatica $X=W_{AB}$							$1/14Fb$	

Sviluppi di calcolo iperstatica

$$L_{AB}^{xx} = \int_0^b (1 - 2x/b + x^2/b^2) \cdot 1/EJ \, dx + 1 \cdot 1/4 \cdot b/EJ = \left[x - x^2/b + 1/3 x^3/b^2 \right]_0^b \cdot 1/EJ + 1 \cdot 1/4 \cdot b/EJ$$

$$= (b - b + 1/3 b) \cdot 1/EJ + 1 \cdot 1/4 \cdot b/EJ = 7/12 \cdot b/EJ$$

$$L_{BA}^{xx} = \int_0^b (x^2/b^2) \cdot 1/EJ \, dx + 1 \cdot 1/4 \cdot b/EJ = \left[1/3 x^3/b^2 \right]_0^b \cdot 1/EJ + 1 \cdot 1/4 \cdot b/EJ$$

$$= (1/3 b) \cdot 1/EJ + 1 \cdot 1/4 \cdot b/EJ = 7/12 \cdot b/EJ$$

$$L_{AD}^{xx} = \int_0^{2b} (1) \cdot 1/EJ \, dx = \left[x \right]_0^{2b} \cdot 1/EJ$$

$$= (2b) \cdot 1/EJ = 2 \cdot b/EJ$$

$$L_{DA}^{xx} = \int_0^{2b} (1) \cdot 1/EJ \, dx = \left[x \right]_0^{2b} \cdot 1/EJ$$

$$= (2b) \cdot 1/EJ = 2 \cdot b/EJ$$

$$L_{DE}^{xx} = \int_0^b (1 - 2x/b + x^2/b^2) \cdot 1/EJ \, dx = \left[x - x^2/b + 1/3 x^3/b^2 \right]_0^b \cdot 1/EJ$$

$$= (b - b + 1/3 b) \cdot 1/EJ = 1/3 \cdot b/EJ$$

$$L_{ED}^{xx} = \int_0^b (x^2/b^2) \cdot 1/EJ \, dx = \left[1/3 x^3/b^2 \right]_0^b \cdot 1/EJ$$

$$= (1/3 b) \cdot 1/EJ = 1/3 \cdot b/EJ$$

$$L_{AB}^{xo} = \int_0^b (3/2 x/b - x^2/b^2 - 1/2 x^3/b^3) \cdot Fb \cdot 1/EJ \, dx + 1 \cdot 0 \cdot 1/4 \cdot Fb^2/EJ$$

$$= \left[3/4 x^2/b - 1/3 x^3/b^2 - 1/8 x^4/b^3 \right]_0^b \cdot Fb \cdot 1/EJ + 1 \cdot 0 \cdot 1/4 \cdot Fb^2/EJ$$

$$= (3/4 b - 1/3 b - 1/8 b) \cdot Fb \cdot 1/EJ + 1 \cdot 0 \cdot 1/4 \cdot Fb^2/EJ = 7/24 \cdot Fb^2/EJ$$

$$L_{BA}^{xo} = \int_0^b (2x/b - 5/2 x^2/b^2 + 1/2 x^3/b^3) \cdot Fb \cdot 1/EJ \, dx + 1 \cdot 0 \cdot 1/4 \cdot Fb^2/EJ$$

$$= \left[x^2/b - 5/6 x^3/b^2 + 1/8 x^4/b^3 \right]_0^b \cdot Fb \cdot 1/EJ + 1 \cdot 0 \cdot 1/4 \cdot Fb^2/EJ$$

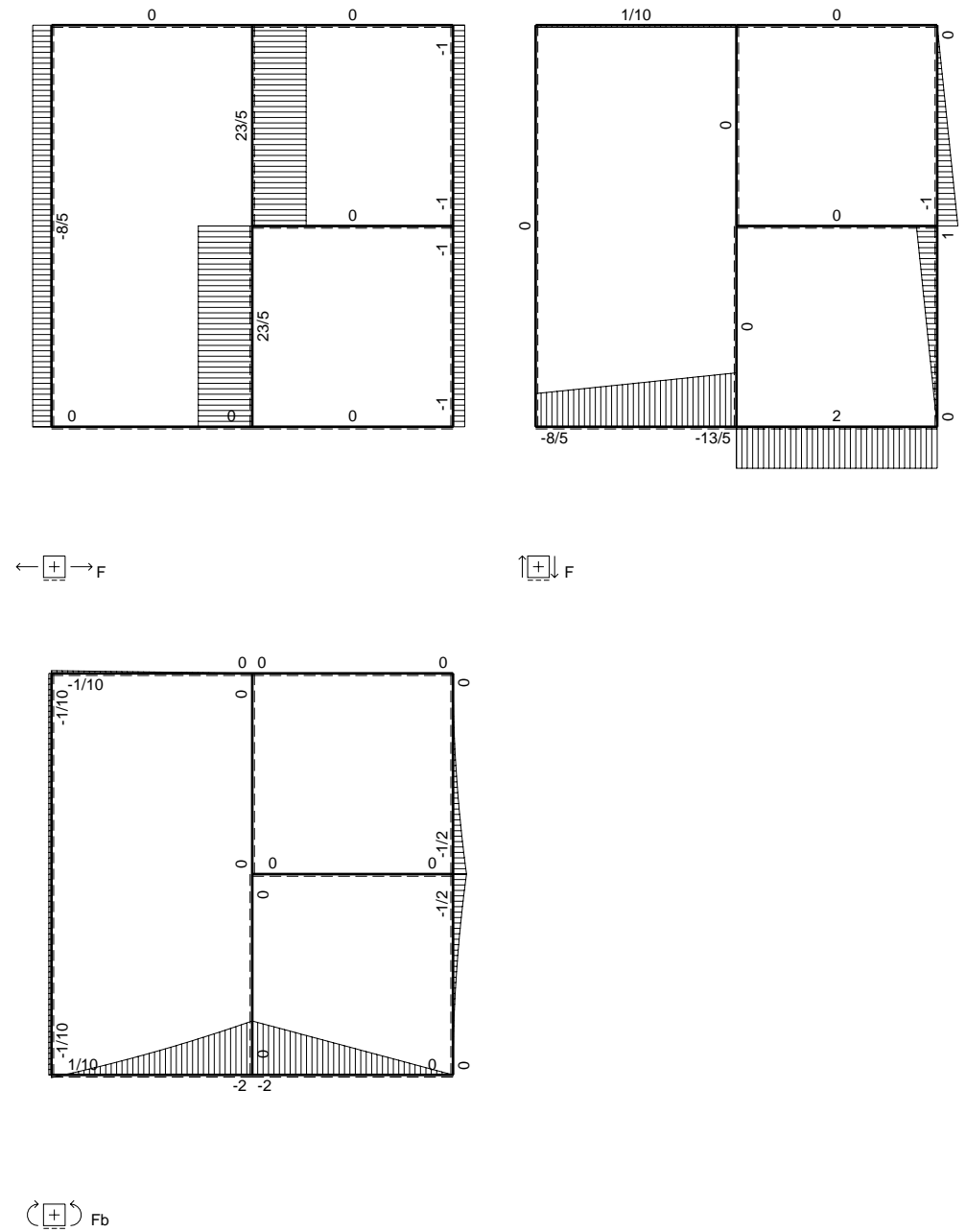
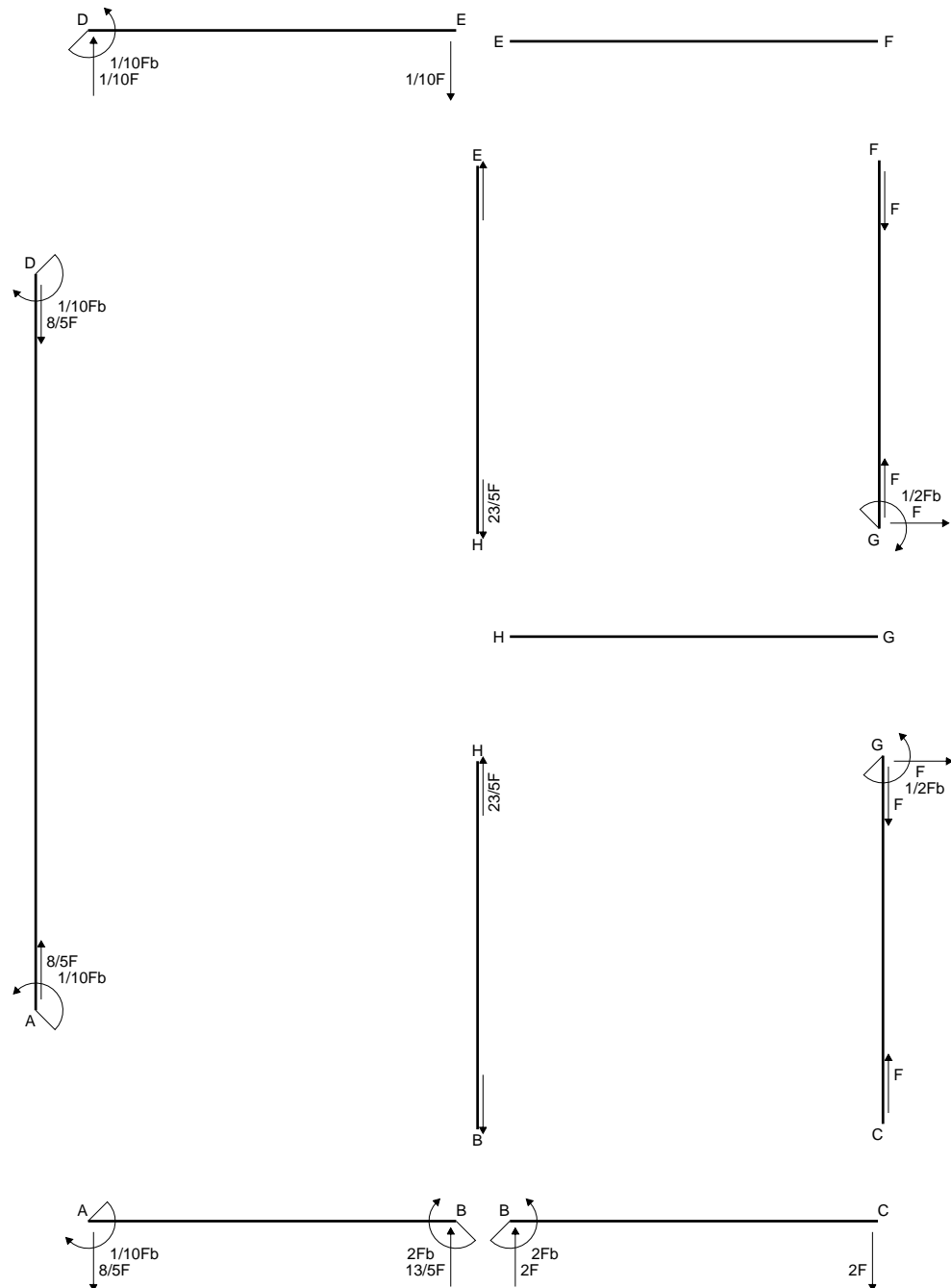
$$= (b - 5/6 b + 1/8 b) \cdot Fb \cdot 1/EJ + 1 \cdot 0 \cdot 1/4 \cdot Fb^2/EJ = 7/24 \cdot Fb^2/EJ$$

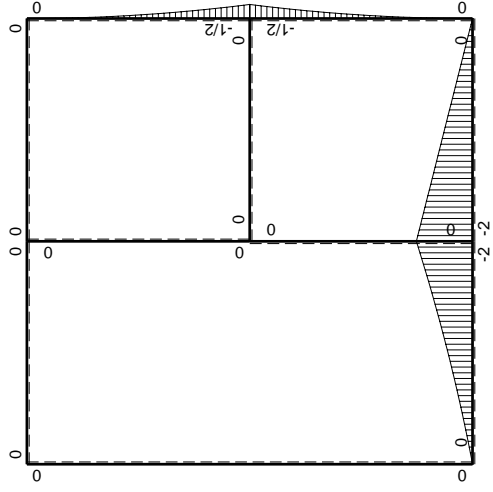
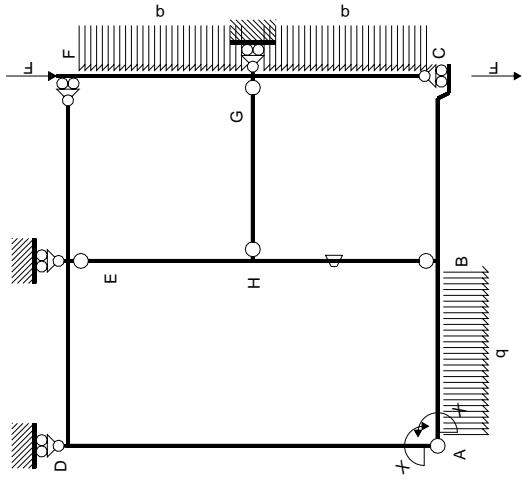
$$L_{DE}^{xo} = \int_0^b (-1 + x/b) \cdot \theta \, dx = \left[-x + 1/2 x^2/b \right]_0^b \cdot \theta$$

$$= (-b + 1/2 b) \cdot \theta = -1/2 \cdot Fb^2/EJ$$

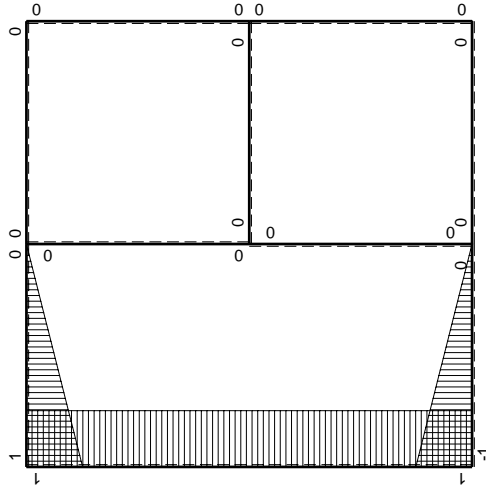
$$L_{ED}^{xo} = \int_0^b (x/b) \cdot \theta \, dx = \left[1/2 x^2/b \right]_0^b \cdot \theta$$

$$= (1/2 b) \cdot \theta = -1/2 \cdot Fb^2/EJ$$





M_0 flessione da carichi assegnati



M_x flessione da iperstatica $X=1$

Quadro contributi PLV per iperstatica $X=W_{AB}$

→	$M_x(x)$	$M_o(x)$	θ	$M_x M_o$	$M_x \theta$	$M_x M_x$	$\int M_x(M_o/EJ+\theta)dx$	$\int X M_x M_x/EJ dx$	
AB b	$-1+x/b$	$-3/2Fx-1/2qx^2$	0	$3/2Fx-Fx^2/b-1/2qx^3/b$	0	$1-2x/b+x^2/b^2$	$(7/24+0)Fb^2/EJ$	$1/3Xb/EJ$	
BA b	x/b	$2Fb-5/2Fx+1/2qx^2$	0	$2Fx-5/2Fx^2/b+1/2qx^3/b$	0	x^2/b^2			
BC b	0	$-2Fb+2Fx$	0	0	0	0	0+0	0	
CB b	0	$2Fx$	0	0	0	0			
AD 2b	1	0	0	0	0	1	0+0	$2Xb/EJ$	
DA 2b	-1	0	0	0	0	1			
DE b	$1-x/b$	0	0	0	0	$1-2x/b+x^2/b^2$	0+0	$1/3Xb/EJ$	
ED b	$-x/b$	0	0	0	0	x^2/b^2			
EF b	0	0	0	0	0	0	0+0	0	
FE b	0	0	0	0	0	0			
FG b	0	$-1/2qx^2$	0	0	0	0	0+0	0	
GF b	0	$1/2Fb-Fx+1/2qx^2$	0	0	0	0			
GC b	0	$-1/2Fb+Fx-1/2qx^2$	0	0	0	0	0+0	0	
CG b	0	$1/2qx^2$	0	0	0	0			
HG b	0	0	0	0	0	0	0+0	0	
GH b	0	0	0	0	0	0			
HB b	0	0	$-Fb/EJ$	0	0	0	0+0	0	
BH b	0	0	Fb/EJ	0	0	0			
HE b	0	0	0	0	0	0	0+0	0	
EH b	0	0	0	0	0	0			
AB	molla asta $-W_{1AB}(W_{0AB}+XW_{1AB})/k_{AB}$								$1/4Xb/EJ$
	totali							$7/24Fb^2/EJ$	$35/12Xb/EJ$
	iperstatica $X=W_{AB}$							$-1/10Fb$	

Sviluppi di calcolo iperstatica

$$L_{AB}^{xx} = \int_0^b (1 - 2x/b + x^2/b^2) \frac{1}{EJ} dx + 1 \cdot 1 \cdot \frac{1}{4} \frac{b}{EJ} = \left[x - \frac{x^2}{b} + \frac{1}{3} \frac{x^3}{b^2} \right]_0^b \frac{1}{EJ} + 1 \cdot 1 \cdot \frac{1}{4} \frac{b}{EJ}$$

$$= (b - b + \frac{1}{3}b) \frac{1}{EJ} + 1 \cdot 1 \cdot \frac{1}{4} \frac{b}{EJ} = \frac{7}{12} \frac{b}{EJ}$$

$$L_{BA}^{xx} = \int_0^b (x^2/b^2) \frac{1}{EJ} dx + 1 \cdot 1 \cdot \frac{1}{4} \frac{b}{EJ} = \left[\frac{1}{3} \frac{x^3}{b^2} \right]_0^b \frac{1}{EJ} + 1 \cdot 1 \cdot \frac{1}{4} \frac{b}{EJ}$$

$$= (\frac{1}{3}b) \frac{1}{EJ} + 1 \cdot 1 \cdot \frac{1}{4} \frac{b}{EJ} = \frac{7}{12} \frac{b}{EJ}$$

$$L_{AD}^{xx} = \int_0^{2b} (1) \frac{1}{EJ} dx = \left[x \right]_0^{2b} \frac{1}{EJ}$$

$$= (2b) \frac{1}{EJ} = 2 \frac{b}{EJ}$$

$$L_{DA}^{xx} = \int_0^{2b} (1) \frac{1}{EJ} dx = \left[x \right]_0^{2b} \frac{1}{EJ}$$

$$= (2b) \frac{1}{EJ} = 2 \frac{b}{EJ}$$

$$L_{DE}^{xx} = \int_0^b (1 - 2x/b + x^2/b^2) \frac{1}{EJ} dx = \left[x - \frac{x^2}{b} + \frac{1}{3} \frac{x^3}{b^2} \right]_0^b \frac{1}{EJ}$$

$$= (b - b + \frac{1}{3}b) \frac{1}{EJ} = \frac{1}{3} \frac{b}{EJ}$$

$$L_{ED}^{xx} = \int_0^b (x^2/b^2) \frac{1}{EJ} dx = \left[\frac{1}{3} \frac{x^3}{b^2} \right]_0^b \frac{1}{EJ}$$

$$= (\frac{1}{3}b) \frac{1}{EJ} = \frac{1}{3} \frac{b}{EJ}$$

$$L_{AB}^{xo} = \int_0^b (3/2 x/b - x^2/b^2 - 1/2 x^3/b^3) Fb \frac{1}{EJ} dx + 1 \cdot 0 \cdot \frac{1}{4} \frac{Fb^2}{EJ}$$

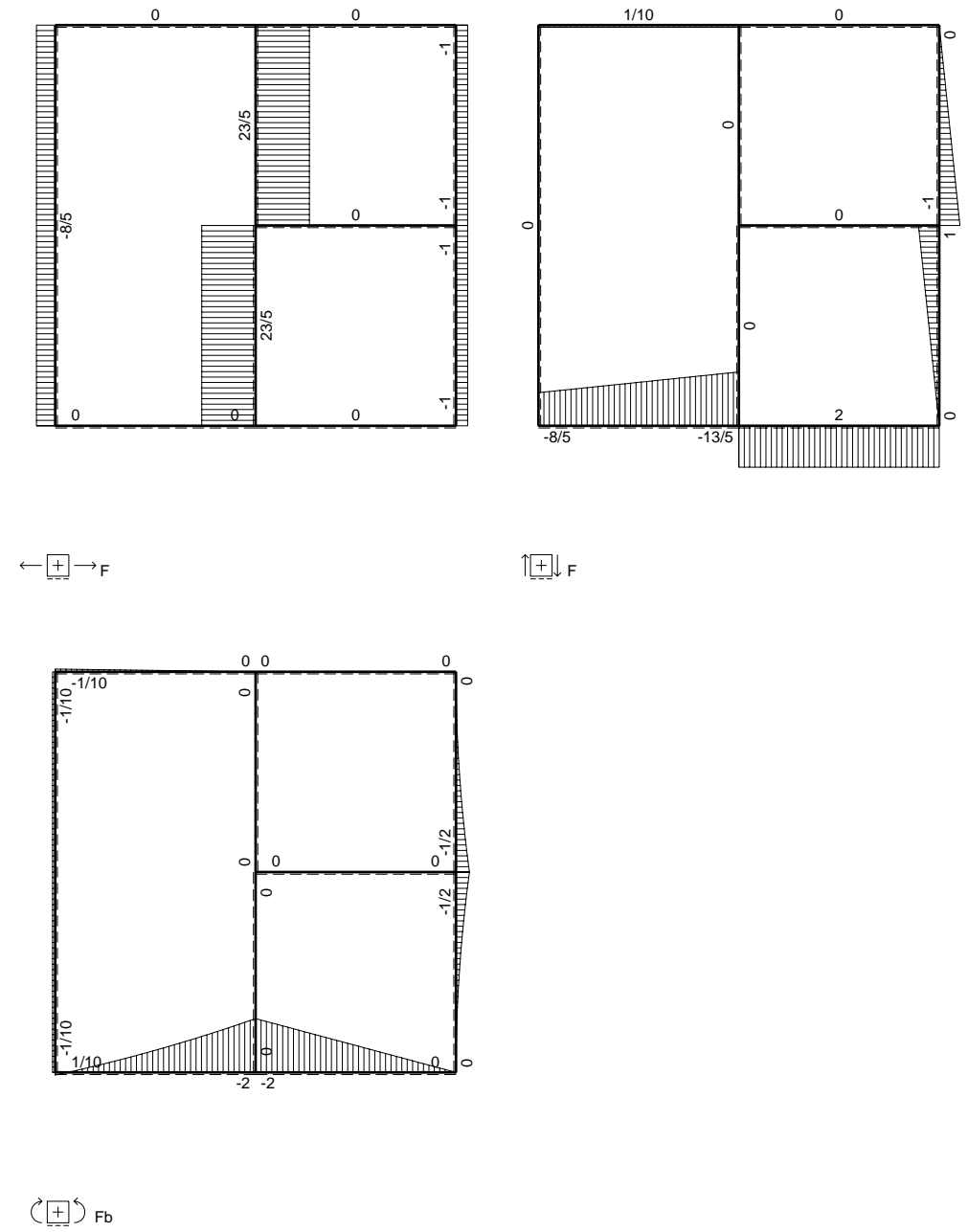
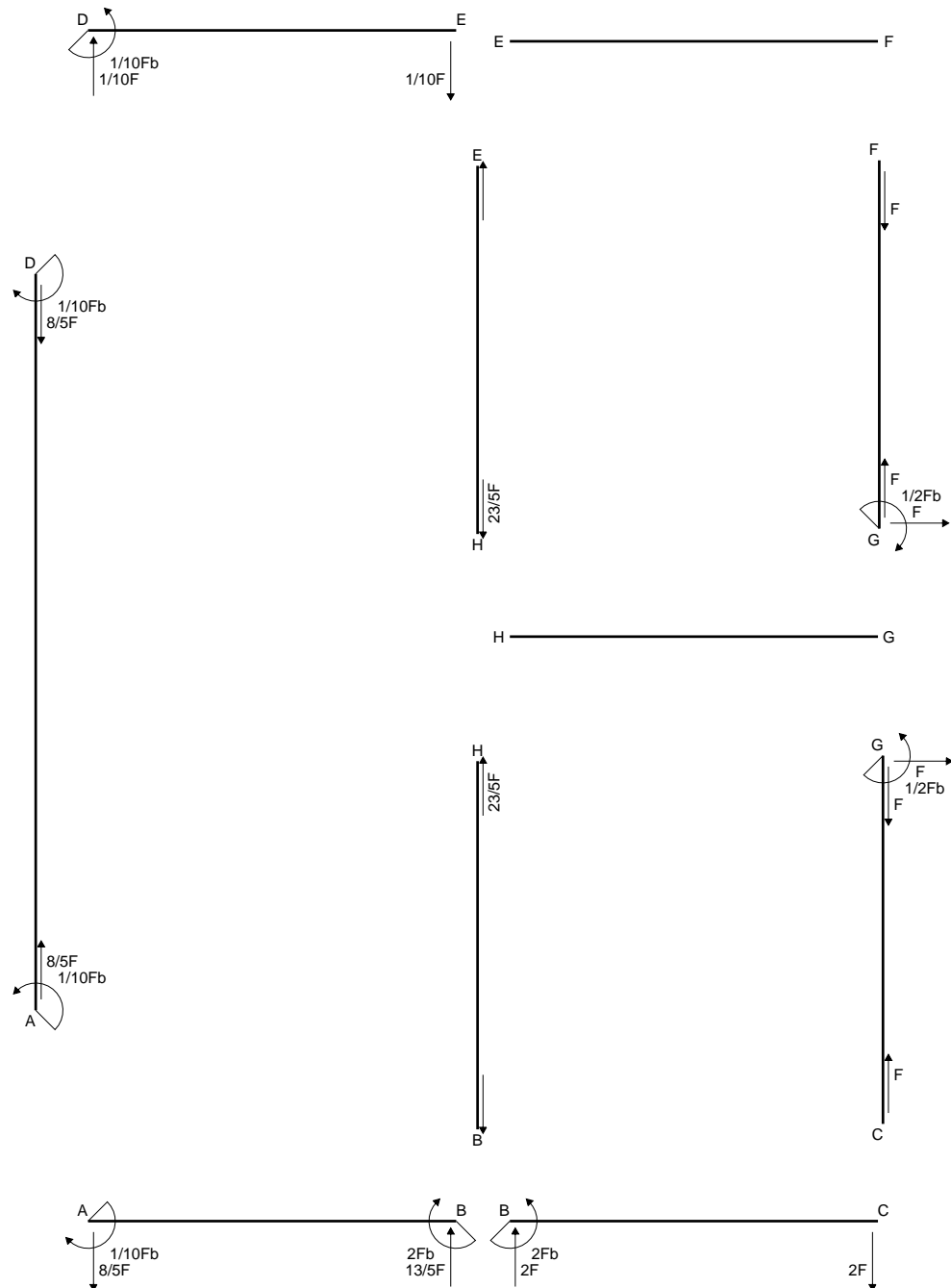
$$= \left[\frac{3}{4} \frac{x^2}{b} - \frac{1}{3} \frac{x^3}{b^2} - \frac{1}{8} \frac{x^4}{b^3} \right]_0^b Fb \frac{1}{EJ} + 1 \cdot 0 \cdot \frac{1}{4} \frac{Fb^2}{EJ}$$

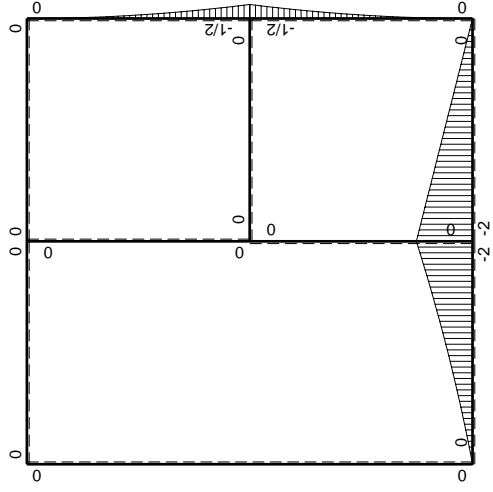
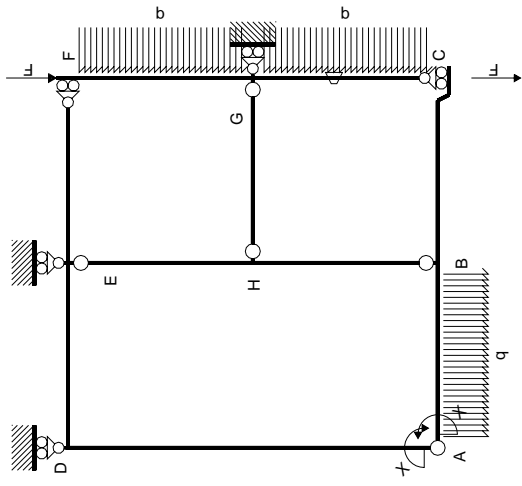
$$= (\frac{3}{4}b - \frac{1}{3}b - \frac{1}{8}b) Fb \frac{1}{EJ} + 1 \cdot 0 \cdot \frac{1}{4} \frac{Fb^2}{EJ} = \frac{7}{24} \frac{Fb^2}{EJ}$$

$$L_{BA}^{xo} = \int_0^b (2x/b - 5/2 x^2/b^2 + 1/2 x^3/b^3) Fb \frac{1}{EJ} dx + 1 \cdot 0 \cdot \frac{1}{4} \frac{Fb^2}{EJ}$$

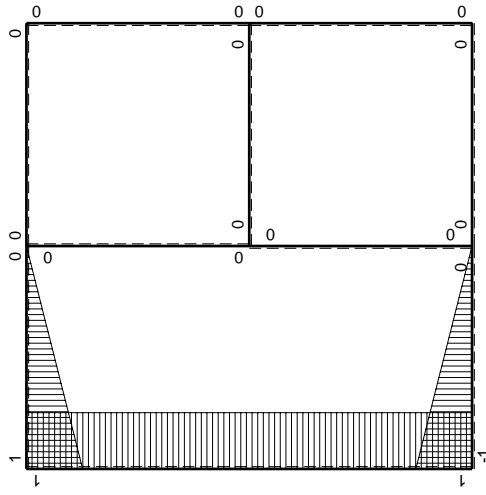
$$= \left[\frac{x^2}{b} - \frac{5}{6} \frac{x^3}{b^2} + \frac{1}{8} \frac{x^4}{b^3} \right]_0^b Fb \frac{1}{EJ} + 1 \cdot 0 \cdot \frac{1}{4} \frac{Fb^2}{EJ}$$

$$= (b - \frac{5}{6}b + \frac{1}{8}b) Fb \frac{1}{EJ} + 1 \cdot 0 \cdot \frac{1}{4} \frac{Fb^2}{EJ} = \frac{7}{24} \frac{Fb^2}{EJ}$$





M_0 flessione da carichi assegnati



M_x flessione da iperstatica $X=1$

Quadro contributi PLV per iperstatica $X=W_{AB}$

→	$M_x(x)$	$M_o(x)$	θ	$M_x M_o$	$M_x \theta$	$M_x M_x$	$\int M_x(M_o/EJ+\theta)dx$	$\int X M_x M_x/EJ dx$	
AB b	$-1+x/b$	$-3/2Fx-1/2qx^2$	0	$3/2Fx-Fx^2/b-1/2qx^3/b$	0	$1-2x/b+x^2/b^2$	$(7/24+0)Fb^2/EJ$	$1/3Xb/EJ$	
BA b	x/b	$2Fb-5/2Fx+1/2qx^2$	0	$2Fx-5/2Fx^2/b+1/2qx^3/b$	0	x^2/b^2			
BC b	0	$-2Fb+2Fx$	0	0	0	0	0+0	0	
CB b	0	$2Fx$	0	0	0	0			
AD 2b	1	0	0	0	0	1	0+0	$2Xb/EJ$	
DA 2b	-1	0	0	0	0	1			
DE b	$1-x/b$	0	0	0	0	$1-2x/b+x^2/b^2$	0+0	$1/3Xb/EJ$	
ED b	$-x/b$	0	0	0	0	x^2/b^2			
EF b	0	0	0	0	0	0	0+0	0	
FE b	0	0	0	0	0	0			
FG b	0	$-1/2qx^2$	0	0	0	0	0+0	0	
GF b	0	$1/2Fb-Fx+1/2qx^2$	0	0	0	0			
GC b	0	$-1/2Fb+Fx-1/2qx^2$	$-Fb/EJ$	0	0	0	0+0	0	
CG b	0	$1/2qx^2$	Fb/EJ	0	0	0			
HG b	0	0	0	0	0	0	0+0	0	
GH b	0	0	0	0	0	0			
HB b	0	0	0	0	0	0	0+0	0	
BH b	0	0	0	0	0	0			
HE b	0	0	0	0	0	0	0+0	0	
EH b	0	0	0	0	0	0			
AB	molla asta $-W_{1AB}(W_{0AB}+XW_{1AB})/k_{AB}$								$1/4Xb/EJ$
	totali							$7/24Fb^2/EJ$	$35/12Xb/EJ$
	iperstatica $X=W_{AB}$							$-1/10Fb$	

Sviluppi di calcolo iperstatica

$$L_{AB}^{xx} = \int_0^b (1 - 2x/b + x^2/b^2) \frac{1}{EJ} dx + 1 \cdot 1 \cdot \frac{1}{4} \frac{b}{EJ} = \left[x - \frac{x^2}{b} + \frac{1}{3} \frac{x^3}{b^2} \right]_0^b \frac{1}{EJ} + 1 \cdot 1 \cdot \frac{1}{4} \frac{b}{EJ}$$

$$= (b - b + \frac{1}{3}b) \frac{1}{EJ} + 1 \cdot 1 \cdot \frac{1}{4} \frac{b}{EJ} = \frac{7}{12} \frac{b}{EJ}$$

$$L_{BA}^{xx} = \int_0^b (x^2/b^2) \frac{1}{EJ} dx + 1 \cdot 1 \cdot \frac{1}{4} \frac{b}{EJ} = \left[\frac{1}{3} \frac{x^3}{b^2} \right]_0^b \frac{1}{EJ} + 1 \cdot 1 \cdot \frac{1}{4} \frac{b}{EJ}$$

$$= (\frac{1}{3}b) \frac{1}{EJ} + 1 \cdot 1 \cdot \frac{1}{4} \frac{b}{EJ} = \frac{7}{12} \frac{b}{EJ}$$

$$L_{AD}^{xx} = \int_0^{2b} (1) \frac{1}{EJ} dx = \left[x \right]_0^{2b} \frac{1}{EJ}$$

$$= (2b) \frac{1}{EJ} = 2 \frac{b}{EJ}$$

$$L_{DA}^{xx} = \int_0^{2b} (1) \frac{1}{EJ} dx = \left[x \right]_0^{2b} \frac{1}{EJ}$$

$$= (2b) \frac{1}{EJ} = 2 \frac{b}{EJ}$$

$$L_{DE}^{xx} = \int_0^b (1 - 2x/b + x^2/b^2) \frac{1}{EJ} dx = \left[x - \frac{x^2}{b} + \frac{1}{3} \frac{x^3}{b^2} \right]_0^b \frac{1}{EJ}$$

$$= (b - b + \frac{1}{3}b) \frac{1}{EJ} = \frac{1}{3} \frac{b}{EJ}$$

$$L_{ED}^{xx} = \int_0^b (x^2/b^2) \frac{1}{EJ} dx = \left[\frac{1}{3} \frac{x^3}{b^2} \right]_0^b \frac{1}{EJ}$$

$$= (\frac{1}{3}b) \frac{1}{EJ} = \frac{1}{3} \frac{b}{EJ}$$

$$L_{AB}^{xo} = \int_0^b (3/2 x/b - x^2/b^2 - 1/2 x^3/b^3) Fb \frac{1}{EJ} dx + 1 \cdot 0 \cdot \frac{1}{4} \frac{Fb^2}{EJ}$$

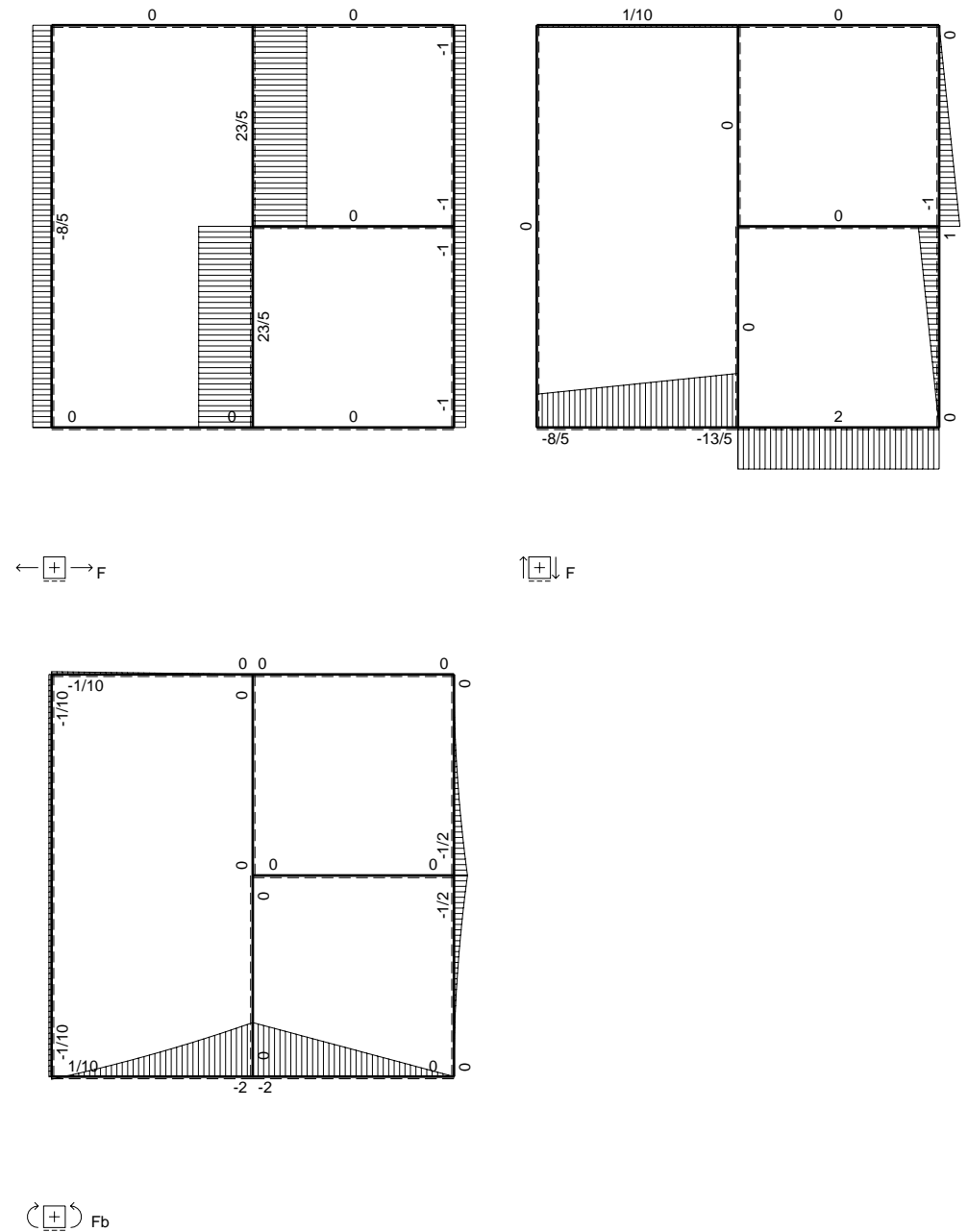
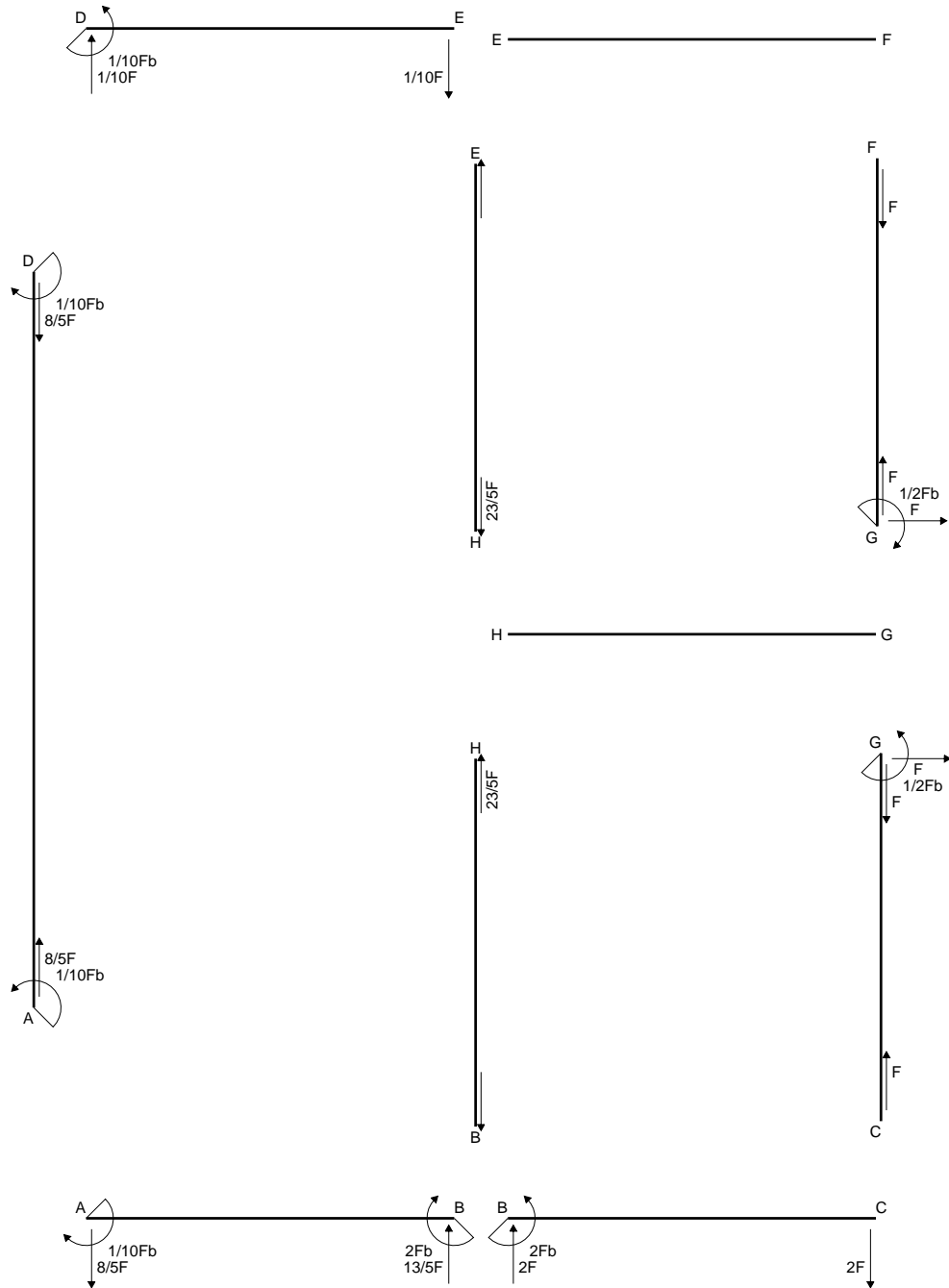
$$= \left[\frac{3}{4} \frac{x^2}{b} - \frac{1}{3} \frac{x^3}{b^2} - \frac{1}{8} \frac{x^4}{b^3} \right]_0^b Fb \frac{1}{EJ} + 1 \cdot 0 \cdot \frac{1}{4} \frac{Fb^2}{EJ}$$

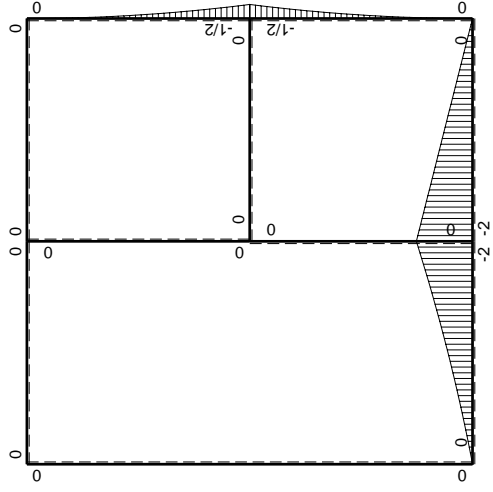
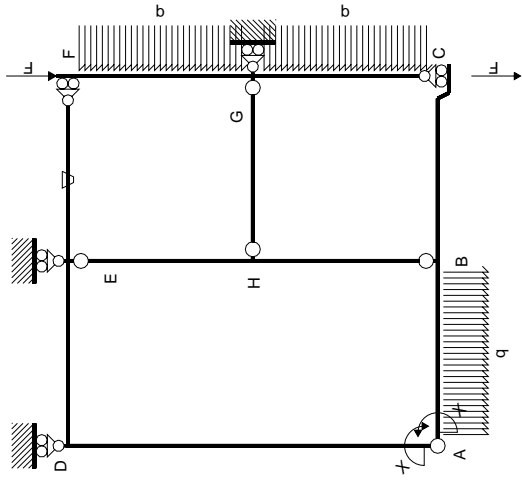
$$= (\frac{3}{4}b - \frac{1}{3}b - \frac{1}{8}b) Fb \frac{1}{EJ} + 1 \cdot 0 \cdot \frac{1}{4} \frac{Fb^2}{EJ} = \frac{7}{24} \frac{Fb^2}{EJ}$$

$$L_{BA}^{xo} = \int_0^b (2x/b - 5/2 x^2/b^2 + 1/2 x^3/b^3) Fb \frac{1}{EJ} dx + 1 \cdot 0 \cdot \frac{1}{4} \frac{Fb^2}{EJ}$$

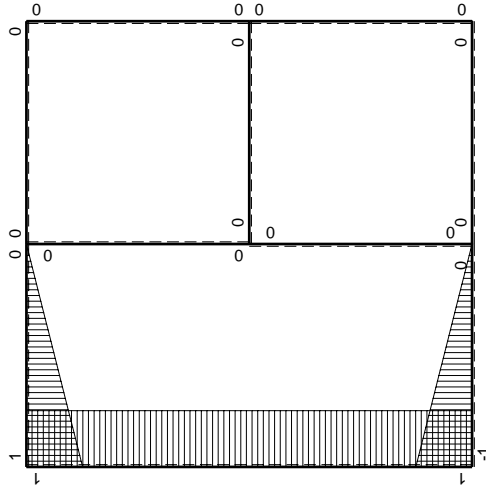
$$= \left[\frac{x^2}{b} - \frac{5}{6} \frac{x^3}{b^2} + \frac{1}{8} \frac{x^4}{b^3} \right]_0^b Fb \frac{1}{EJ} + 1 \cdot 0 \cdot \frac{1}{4} \frac{Fb^2}{EJ}$$

$$= (b - \frac{5}{6}b + \frac{1}{8}b) Fb \frac{1}{EJ} + 1 \cdot 0 \cdot \frac{1}{4} \frac{Fb^2}{EJ} = \frac{7}{24} \frac{Fb^2}{EJ}$$





M_0 flessione da carichi assegnati



M_X flessione da iperstatica $X=1$

Quadro contributi PLV per iperstatica $X=W_{AB}$

→	$M_x(x)$	$M_o(x)$	θ	$M_x M_o$	$M_x \theta$	$M_x M_x$	$\int M_x(M_o/EJ+\theta)dx$	$\int X M_x M_x/EJ dx$	
AB b	$-1+x/b$	$-3/2Fx-1/2qx^2$	0	$3/2Fx-Fx^2/b-1/2qx^3/b$	0	$1-2x/b+x^2/b^2$	$(7/24+0)Fb^2/EJ$	$1/3Xb/EJ$	
BA b	x/b	$2Fb-5/2Fx+1/2qx^2$	0	$2Fx-5/2Fx^2/b+1/2qx^3/b$	0	x^2/b^2			
BC b	0	$-2Fb+2Fx$	0	0	0	0	0+0	0	
CB b	0	$2Fx$	0	0	0	0			
AD 2b	1	0	0	0	0	1	0+0	$2Xb/EJ$	
DA 2b	-1	0	0	0	0	1			
DE b	$1-x/b$	0	0	0	0	$1-2x/b+x^2/b^2$	0+0	$1/3Xb/EJ$	
ED b	$-x/b$	0	0	0	0	x^2/b^2			
EF b	0	0	$-Fb/EJ$	0	0	0	0+0	0	
FE b	0	0	Fb/EJ	0	0	0			
FG b	0	$-1/2qx^2$	0	0	0	0	0+0	0	
GF b	0	$1/2Fb-Fx+1/2qx^2$	0	0	0	0			
GC b	0	$-1/2Fb+Fx-1/2qx^2$	0	0	0	0	0+0	0	
CG b	0	$1/2qx^2$	0	0	0	0			
HG b	0	0	0	0	0	0	0+0	0	
GH b	0	0	0	0	0	0			
HB b	0	0	0	0	0	0	0+0	0	
BH b	0	0	0	0	0	0			
HE b	0	0	0	0	0	0	0+0	0	
EH b	0	0	0	0	0	0			
AB	molla asta $-W_{1AB}(W_{0AB}+XW_{1AB})/k_{AB}$								$1/4Xb/EJ$
	totali							$7/24Fb^2/EJ$	$35/12Xb/EJ$
	iperstatica $X=W_{AB}$							$-1/10Fb$	

Sviluppi di calcolo iperstatica

$$L_{AB}^{xx} = \int_0^b (1 - 2x/b + x^2/b^2) \cdot 1/EJ \, dx + 1 \cdot 1/4 \cdot b/EJ = \left[x - x^2/b + 1/3 x^3/b^2 \right]_0^b \cdot 1/EJ + 1 \cdot 1/4 \cdot b/EJ$$

$$= (b - b + 1/3 b) \cdot 1/EJ + 1 \cdot 1/4 \cdot b/EJ = 7/12 \cdot b/EJ$$

$$L_{BA}^{xx} = \int_0^b (x^2/b^2) \cdot 1/EJ \, dx + 1 \cdot 1/4 \cdot b/EJ = \left[1/3 x^3/b^2 \right]_0^b \cdot 1/EJ + 1 \cdot 1/4 \cdot b/EJ$$

$$= (1/3 b) \cdot 1/EJ + 1 \cdot 1/4 \cdot b/EJ = 7/12 \cdot b/EJ$$

$$L_{AD}^{xx} = \int_0^{2b} (1) \cdot 1/EJ \, dx = \left[x \right]_0^{2b} \cdot 1/EJ$$

$$= (2b) \cdot 1/EJ = 2 \cdot b/EJ$$

$$L_{DA}^{xx} = \int_0^{2b} (1) \cdot 1/EJ \, dx = \left[x \right]_0^{2b} \cdot 1/EJ$$

$$= (2b) \cdot 1/EJ = 2 \cdot b/EJ$$

$$L_{DE}^{xx} = \int_0^b (1 - 2x/b + x^2/b^2) \cdot 1/EJ \, dx = \left[x - x^2/b + 1/3 x^3/b^2 \right]_0^b \cdot 1/EJ$$

$$= (b - b + 1/3 b) \cdot 1/EJ = 1/3 \cdot b/EJ$$

$$L_{ED}^{xx} = \int_0^b (x^2/b^2) \cdot 1/EJ \, dx = \left[1/3 x^3/b^2 \right]_0^b \cdot 1/EJ$$

$$= (1/3 b) \cdot 1/EJ = 1/3 \cdot b/EJ$$

$$L_{AB}^{xo} = \int_0^b (3/2 x/b - x^2/b^2 - 1/2 x^3/b^3) \cdot Fb \cdot 1/EJ \, dx + 1 \cdot 0 \cdot 1/4 \cdot Fb^2/EJ$$

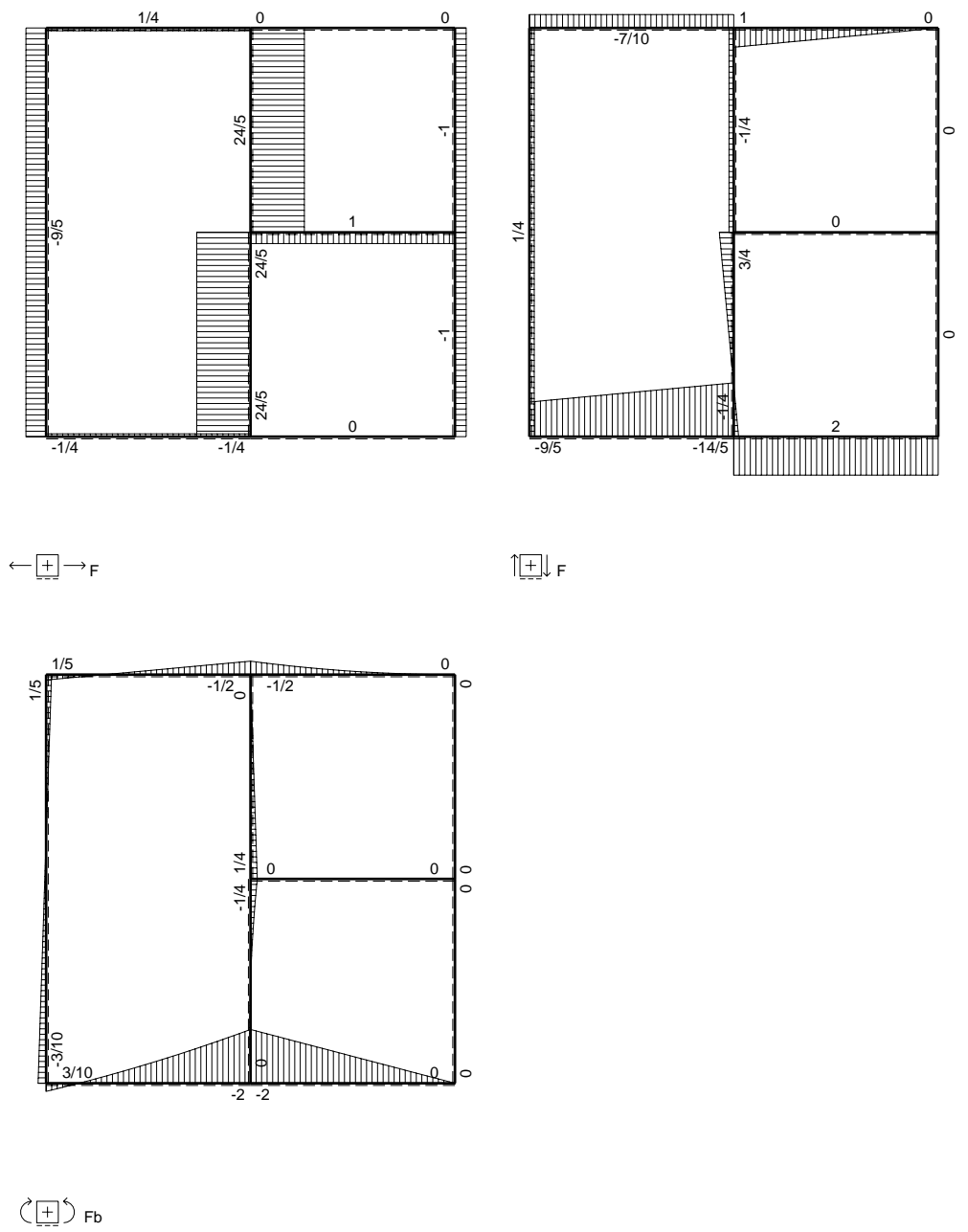
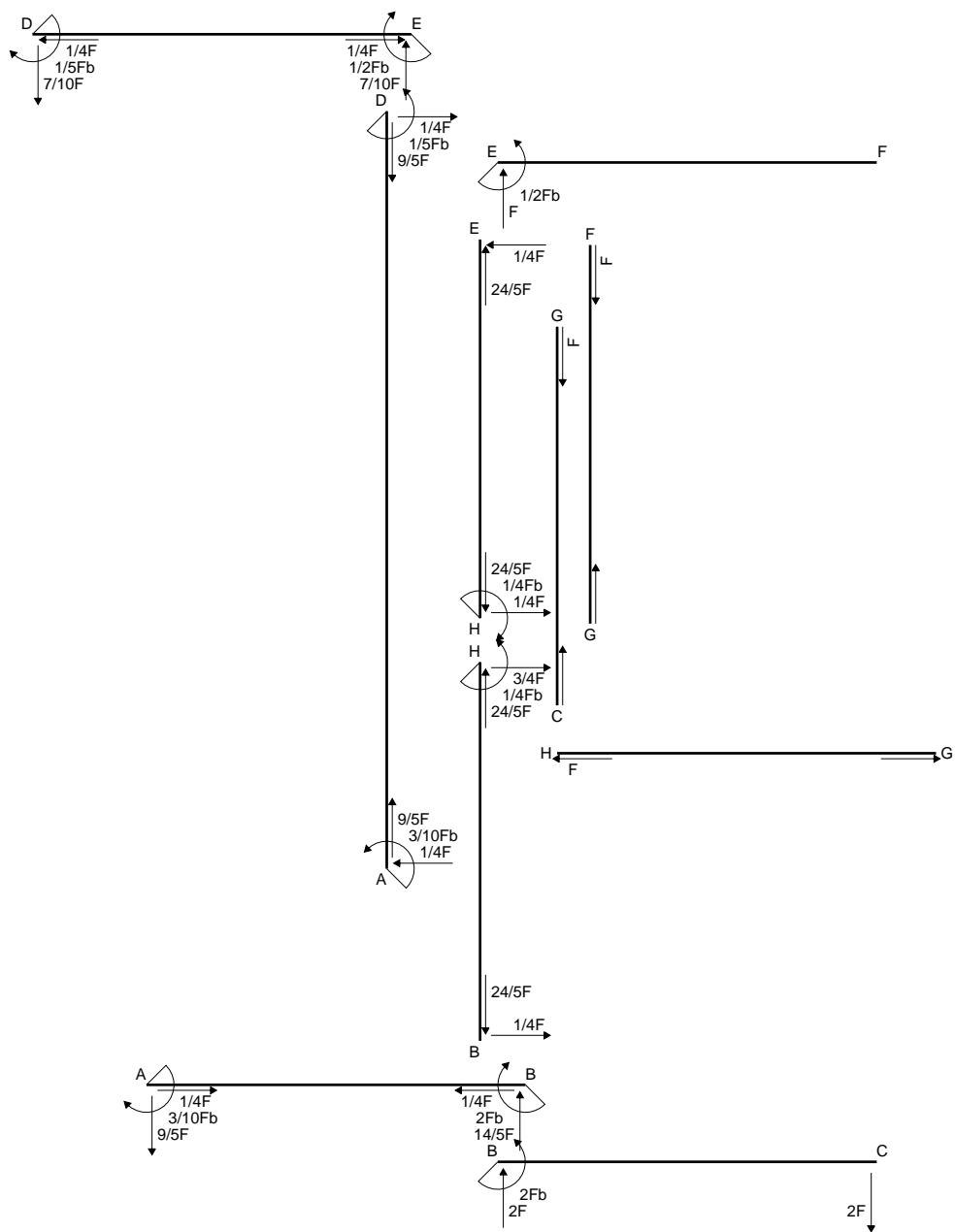
$$= \left[3/4 x^2/b - 1/3 x^3/b^2 - 1/8 x^4/b^3 \right]_0^b \cdot Fb \cdot 1/EJ + 1 \cdot 0 \cdot 1/4 \cdot Fb^2/EJ$$

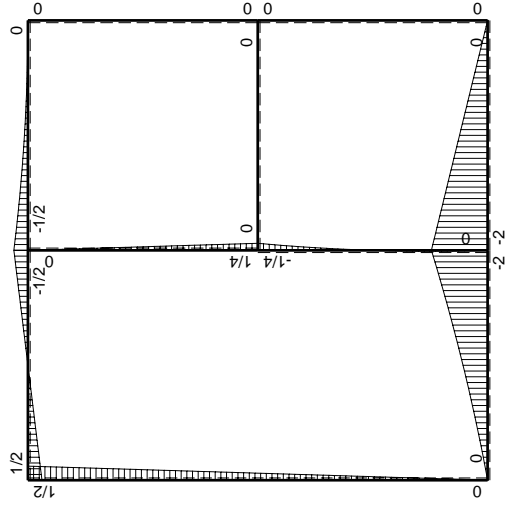
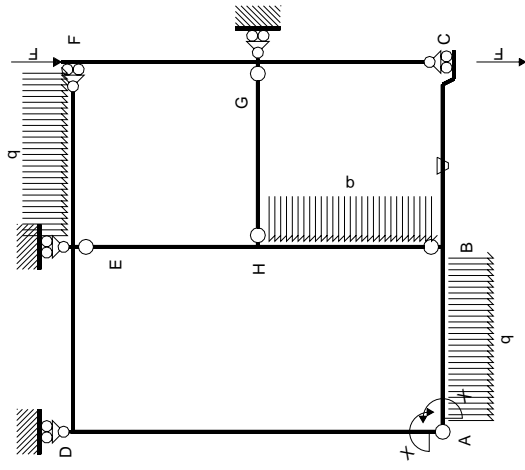
$$= (3/4 b - 1/3 b - 1/8 b) \cdot Fb \cdot 1/EJ + 1 \cdot 0 \cdot 1/4 \cdot Fb^2/EJ = 7/24 \cdot Fb^2/EJ$$

$$L_{BA}^{xo} = \int_0^b (2x/b - 5/2 x^2/b^2 + 1/2 x^3/b^3) \cdot Fb \cdot 1/EJ \, dx + 1 \cdot 0 \cdot 1/4 \cdot Fb^2/EJ$$

$$= \left[x^2/b - 5/6 x^3/b^2 + 1/8 x^4/b^3 \right]_0^b \cdot Fb \cdot 1/EJ + 1 \cdot 0 \cdot 1/4 \cdot Fb^2/EJ$$

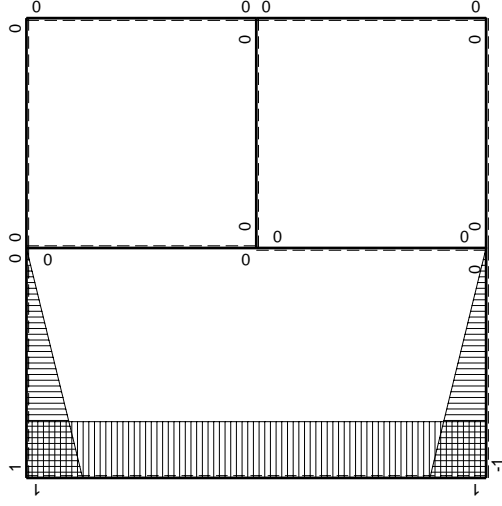
$$= (b - 5/6 b + 1/8 b) \cdot Fb \cdot 1/EJ + 1 \cdot 0 \cdot 1/4 \cdot Fb^2/EJ = 7/24 \cdot Fb^2/EJ$$





Schema di calcolo iperstatico

M_0 flessione da carichi assegnati



M_x flessione da iperstatica $X=1$

Quadro contributi PLV per iperstatica $X=W_{AB}$

→	$M_x(x)$	$M_o(x)$	θ	$M_x M_o$	$M_x \theta$	$M_x M_x$	$\int M_x(M_o/EJ+\theta)dx$	$\int X M_x M_x/EJdx$	
AB b	$-1+x/b$	$-3/2Fx-1/2qx^2$	0	$3/2Fx-Fx^2/b-1/2qx^3/b$	0	$1-2x/b+x^2/b^2$	$(7/24+0)Fb^2/EJ$	$1/3Xb/EJ$	
BA b	x/b	$2Fb-5/2Fx+1/2qx^2$	0	$2Fx-5/2Fx^2/b+1/2qx^3/b$	0	x^2/b^2			
BC b	0	$-2Fb+2Fx$	$-Fb/EJ$	0	0	0	0+0	0	
CB b	0	$2Fx$	Fb/EJ	0	0	0			
AD 2b	1	$1/4Fx$	0	$1/4Fx$	0	1	$(1/2+0)Fb^2/EJ$	$2Xb/EJ$	
DA 2b	-1	$-1/2Fb+1/4Fx$	0	$1/2Fb-1/4Fx$	0	1			
DE b	$1-x/b$	$1/2Fb-Fx$	0	$1/2Fb-3/2Fx+Fx^2/b$	0	$1-2x/b+x^2/b^2$	$(1/12+0)Fb^2/EJ$	$1/3Xb/EJ$	
ED b	$-x/b$	$1/2Fb-Fx$	0	$-1/2Fx+Fx^2/b$	0	x^2/b^2			
EF b	0	$-1/2Fb+Fx-1/2qx^2$	0	0	0	0	0+0	0	
FE b	0	$1/2qx^2$	0	0	0	0			
FG b	0	0	0	0	0	0	0+0	0	
GF b	0	0	0	0	0	0			
GC b	0	0	0	0	0	0	0+0	0	
CG b	0	0	0	0	0	0			
HG b	0	0	0	0	0	0	0+0	0	
GH b	0	0	0	0	0	0			
HB b	0	$-1/4Fb+3/4Fx-1/2qx^2$	0	0	0	0	0+0	0	
BH b	0	$-1/4Fx+1/2qx^2$	0	0	0	0			
HE b	0	$1/4Fb-1/4Fx$	0	0	0	0	0+0	0	
EH b	0	$-1/4Fx$	0	0	0	0			
AB	molla asta $-W_{1AB}(W_{0AB}+XW_{1AB})/k_{AB}$								$1/4Xb/EJ$
	totali							$7/8Fb^2/EJ$	$35/12Xb/EJ$
	iperstatica $X=W_{AB}$							$-3/10Fb$	

Sviluppi di calcolo iperstatica

$$L_{AB}^{xx} = \int_0^b (1 - 2x/b + x^2/b^2) \frac{1}{EJ} dx + 1 \cdot \frac{1}{4} \frac{b}{EJ} = \left[x - x^2/b + 1/3 x^3/b^2 \right]_0^b \frac{1}{EJ} + 1 \cdot \frac{1}{4} \frac{b}{EJ}$$

$$= (b - b + 1/3 b) \frac{1}{EJ} + 1 \cdot \frac{1}{4} \frac{b}{EJ} = 7/12 \frac{b}{EJ}$$

$$L_{BA}^{xx} = \int_0^b (x^2/b^2) \frac{1}{EJ} dx + 1 \cdot \frac{1}{4} \frac{b}{EJ} = \left[1/3 x^3/b^2 \right]_0^b \frac{1}{EJ} + 1 \cdot \frac{1}{4} \frac{b}{EJ}$$

$$= (1/3 b) \frac{1}{EJ} + 1 \cdot \frac{1}{4} \frac{b}{EJ} = 7/12 \frac{b}{EJ}$$

$$L_{AD}^{xx} = \int_0^{2b} (1) \frac{1}{EJ} dx = \left[x \right]_0^{2b} \frac{1}{EJ}$$

$$= (2b) \frac{1}{EJ} = 2 \frac{b}{EJ}$$

$$L_{DA}^{xx} = \int_0^{2b} (1) \frac{1}{EJ} dx = \left[x \right]_0^{2b} \frac{1}{EJ}$$

$$= (2b) \frac{1}{EJ} = 2 \frac{b}{EJ}$$

$$L_{DE}^{xx} = \int_0^b (1 - 2x/b + x^2/b^2) \frac{1}{EJ} dx = \left[x - x^2/b + 1/3 x^3/b^2 \right]_0^b \frac{1}{EJ}$$

$$= (b - b + 1/3 b) \frac{1}{EJ} = 1/3 \frac{b}{EJ}$$

$$L_{ED}^{xx} = \int_0^b (x^2/b^2) \frac{1}{EJ} dx = \left[1/3 x^3/b^2 \right]_0^b \frac{1}{EJ}$$

$$= (1/3 b) \frac{1}{EJ} = 1/3 \frac{b}{EJ}$$

$$L_{AB}^{xo} = \int_0^b (3/2 x/b - x^2/b^2 - 1/2 x^3/b^3) Fb \frac{1}{EJ} dx + 1 \cdot 0 \cdot \frac{1}{4} \frac{Fb^2}{EJ}$$

$$= \left[3/4 x^2/b - 1/3 x^3/b^2 - 1/8 x^4/b^3 \right]_0^b Fb \frac{1}{EJ} + 1 \cdot 0 \cdot \frac{1}{4} \frac{Fb^2}{EJ}$$

$$= (3/4 b - 1/3 b - 1/8 b) Fb \frac{1}{EJ} + 1 \cdot 0 \cdot \frac{1}{4} \frac{Fb^2}{EJ} = 7/24 \frac{Fb^2}{EJ}$$

$$L_{BA}^{xo} = \int_0^b (2x/b - 5/2 x^2/b^2 + 1/2 x^3/b^3) Fb \frac{1}{EJ} dx + 1 \cdot 0 \cdot \frac{1}{4} \frac{Fb^2}{EJ}$$

$$= \left[x^2/b - 5/6 x^3/b^2 + 1/8 x^4/b^3 \right]_0^b Fb \frac{1}{EJ} + 1 \cdot 0 \cdot \frac{1}{4} \frac{Fb^2}{EJ}$$

$$= (b - 5/6 b + 1/8 b) Fb \frac{1}{EJ} + 1 \cdot 0 \cdot \frac{1}{4} \frac{Fb^2}{EJ} = 7/24 \frac{Fb^2}{EJ}$$

$$L_{AD}^{xo} = \int_0^{2b} (1/4 x/b) Fb \frac{1}{EJ} dx = \left[1/8 x^2/b \right]_0^{2b} Fb \frac{1}{EJ}$$

$$= (1/2 b) Fb \frac{1}{EJ} = 1/2 \frac{Fb^2}{EJ}$$

$$L_{DA}^{xo} = \int_0^{2b} (1/2 - 1/4 x/b) Fb \frac{1}{EJ} dx = \left[1/2 x - 1/8 x^2/b \right]_0^{2b} Fb \frac{1}{EJ}$$

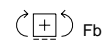
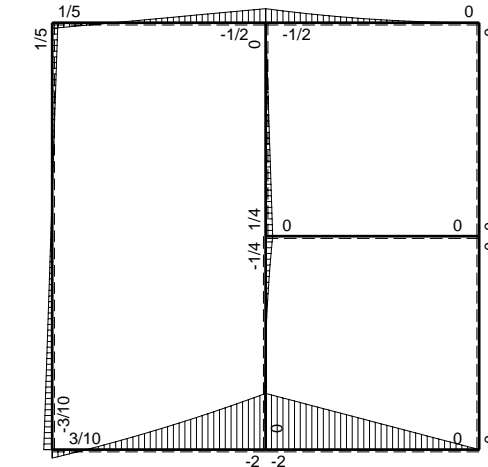
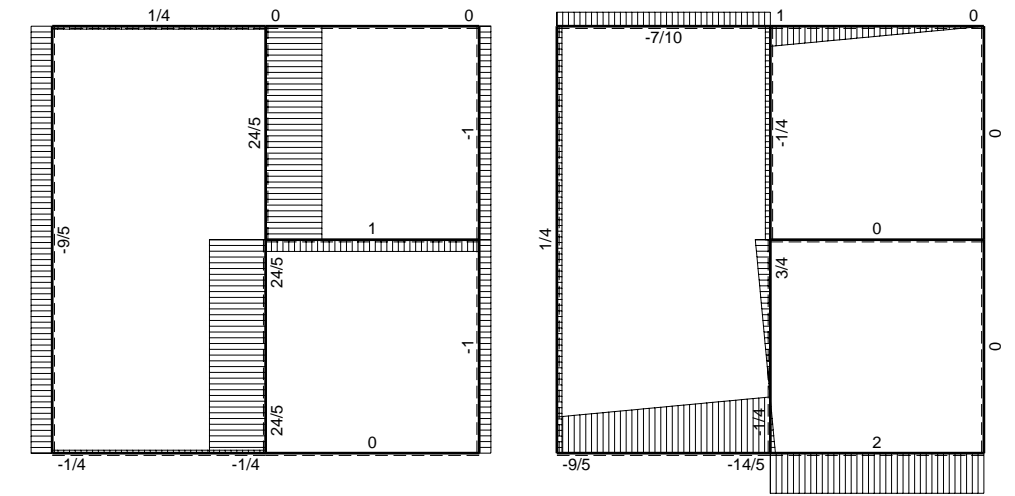
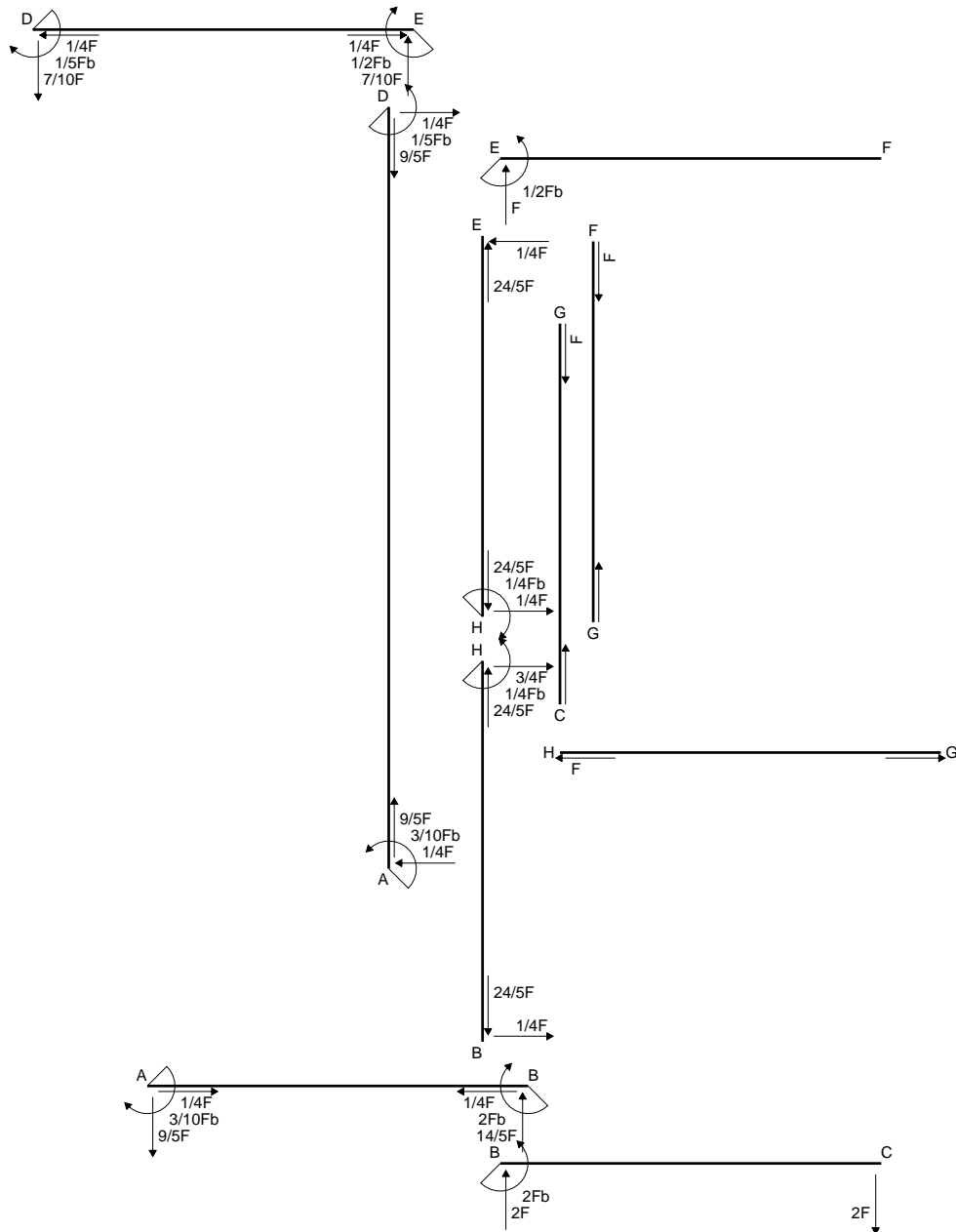
$$= (b - 1/2 b) Fb \frac{1}{EJ} = 1/2 \frac{Fb^2}{EJ}$$

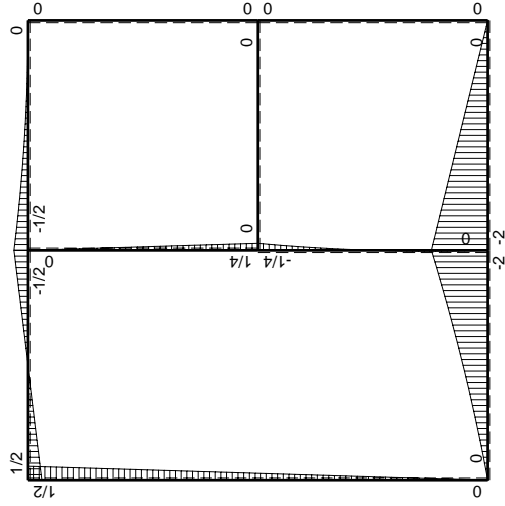
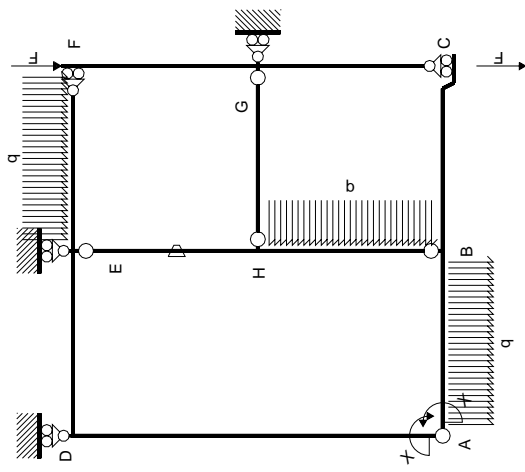
$$L_{DE}^{xo} = \int_0^b (1/2 - 3/2 x/b + x^2/b^2) Fb \frac{1}{EJ} dx = \left[1/2 x - 3/4 x^2/b + 1/3 x^3/b^2 \right]_0^b Fb \frac{1}{EJ}$$

$$= (1/2 b - 3/4 b + 1/3 b) Fb \frac{1}{EJ} = 1/12 \frac{Fb^2}{EJ}$$

$$L_{ED}^{xo} = \int_0^b (-1/2 x/b + x^2/b^2) Fb \frac{1}{EJ} dx = \left[-1/4 x^2/b + 1/3 x^3/b^2 \right]_0^b Fb \frac{1}{EJ}$$

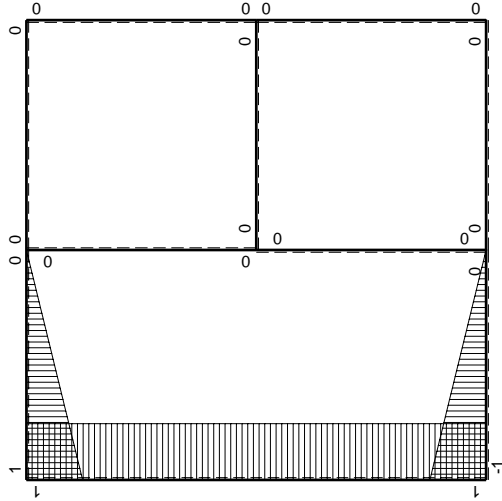
$$= (-1/4 b + 1/3 b) Fb \frac{1}{EJ} = 1/12 \frac{Fb^2}{EJ}$$





Schema di calcolo iperstatico

M_0 flessione da carichi assegnati



M_x flessione da iperstatica $X=1$

Quadro contributi PLV per iperstatica $X=W_{AB}$

→	$M_x(x)$	$M_o(x)$	θ	$M_x M_o$	$M_x \theta$	$M_x M_x$	$\int M_x(M_o/EJ+\theta)dx$	$\int X M_x M_x/EJdx$
AB b	$-1+x/b$	$-3/2Fx-1/2qx^2$	0	$3/2Fx-Fx^2/b-1/2qx^3/b$	0	$1-2x/b+x^2/b^2$	$(7/24+0)Fb^2/EJ$	$1/3Xb/EJ$
BA b	x/b	$2Fb-5/2Fx+1/2qx^2$	0	$2Fx-5/2Fx^2/b+1/2qx^3/b$	0	x^2/b^2		
BC b	0	$-2Fb+2Fx$	0	0	0	0	0+0	0
CB b	0	$2Fx$	0	0	0	0		
AD 2b	1	$1/4Fx$	0	$1/4Fx$	0	1	$(1/2+0)Fb^2/EJ$	$2Xb/EJ$
DA 2b	-1	$-1/2Fb+1/4Fx$	0	$1/2Fb-1/4Fx$	0	1		
DE b	$1-x/b$	$1/2Fb-Fx$	0	$1/2Fb-3/2Fx+Fx^2/b$	0	$1-2x/b+x^2/b^2$	$(1/12+0)Fb^2/EJ$	$1/3Xb/EJ$
ED b	$-x/b$	$1/2Fb-Fx$	0	$-1/2Fx+Fx^2/b$	0	x^2/b^2		
EF b	0	$-1/2Fb+Fx-1/2qx^2$	0	0	0	0	0+0	0
FE b	0	$1/2qx^2$	0	0	0	0		
FG b	0	0	0	0	0	0	0+0	0
GF b	0	0	0	0	0	0		
GC b	0	0	0	0	0	0	0+0	0
CG b	0	0	0	0	0	0		
HG b	0	0	0	0	0	0	0+0	0
GH b	0	0	0	0	0	0		
HB b	0	$-1/4Fb+3/4Fx-1/2qx^2$	0	0	0	0	0+0	0
BH b	0	$-1/4Fx+1/2qx^2$	0	0	0	0		
HE b	0	$1/4Fb-1/4Fx$	$-Fb/EJ$	0	0	0	0+0	0
EH b	0	$-1/4Fx$	Fb/EJ	0	0	0		
AB	molla asta $-W_{1AB}(W_{0AB}+XW_{1AB})/k_{AB}$							$1/4Xb/EJ$
	totali						$7/8Fb^2/EJ$	$35/12Xb/EJ$
	iperstatica $X=W_{AB}$						$-3/10Fb$	

Sviluppi di calcolo iperstatica

$$L_{AB}^{xx} = \int_0^b (1 - 2x/b + x^2/b^2) \cdot 1/EJ \, dx + 1 \cdot 1/4 \cdot b/EJ = \left[x - x^2/b + 1/3 x^3/b^2 \right]_0^b \cdot 1/EJ + 1 \cdot 1/4 \cdot b/EJ$$

$$= (b - b + 1/3 b) \cdot 1/EJ + 1 \cdot 1/4 \cdot b/EJ = 7/12 \cdot b/EJ$$

$$L_{BA}^{xx} = \int_0^b (x^2/b^2) \cdot 1/EJ \, dx + 1 \cdot 1/4 \cdot b/EJ = \left[1/3 x^3/b^2 \right]_0^b \cdot 1/EJ + 1 \cdot 1/4 \cdot b/EJ$$

$$= (1/3 b) \cdot 1/EJ + 1 \cdot 1/4 \cdot b/EJ = 7/12 \cdot b/EJ$$

$$L_{AD}^{xx} = \int_0^{2b} (1) \cdot 1/EJ \, dx = \left[x \right]_0^{2b} \cdot 1/EJ$$

$$= (2b) \cdot 1/EJ = 2 \cdot b/EJ$$

$$L_{DA}^{xx} = \int_0^{2b} (1) \cdot 1/EJ \, dx = \left[x \right]_0^{2b} \cdot 1/EJ$$

$$= (2b) \cdot 1/EJ = 2 \cdot b/EJ$$

$$L_{DE}^{xx} = \int_0^b (1 - 2x/b + x^2/b^2) \cdot 1/EJ \, dx = \left[x - x^2/b + 1/3 x^3/b^2 \right]_0^b \cdot 1/EJ$$

$$= (b - b + 1/3 b) \cdot 1/EJ = 1/3 \cdot b/EJ$$

$$L_{ED}^{xx} = \int_0^b (x^2/b^2) \cdot 1/EJ \, dx = \left[1/3 x^3/b^2 \right]_0^b \cdot 1/EJ$$

$$= (1/3 b) \cdot 1/EJ = 1/3 \cdot b/EJ$$

$$L_{AB}^{xo} = \int_0^b (3/2 x/b - x^2/b^2 - 1/2 x^3/b^3) \cdot Fb \cdot 1/EJ \, dx + 1 \cdot 0 \cdot 1/4 \cdot Fb^2/EJ$$

$$= \left[3/4 x^2/b - 1/3 x^3/b^2 - 1/8 x^4/b^3 \right]_0^b \cdot Fb \cdot 1/EJ + 1 \cdot 0 \cdot 1/4 \cdot Fb^2/EJ$$

$$= (3/4 b - 1/3 b - 1/8 b) \cdot Fb \cdot 1/EJ + 1 \cdot 0 \cdot 1/4 \cdot Fb^2/EJ = 7/24 \cdot Fb^2/EJ$$

$$L_{BA}^{xo} = \int_0^b (2x/b - 5/2 x^2/b^2 + 1/2 x^3/b^3) \cdot Fb \cdot 1/EJ \, dx + 1 \cdot 0 \cdot 1/4 \cdot Fb^2/EJ$$

$$= \left[x^2/b - 5/6 x^3/b^2 + 1/8 x^4/b^3 \right]_0^b \cdot Fb \cdot 1/EJ + 1 \cdot 0 \cdot 1/4 \cdot Fb^2/EJ$$

$$= (b - 5/6 b + 1/8 b) \cdot Fb \cdot 1/EJ + 1 \cdot 0 \cdot 1/4 \cdot Fb^2/EJ = 7/24 \cdot Fb^2/EJ$$

$$L_{AD}^{xo} = \int_0^{2b} (1/4 x/b) \cdot Fb \cdot 1/EJ \, dx = \left[1/8 x^2/b \right]_0^{2b} \cdot Fb \cdot 1/EJ$$

$$= (1/2 b) \cdot Fb \cdot 1/EJ = 1/2 \cdot Fb^2/EJ$$

$$L_{DA}^{xo} = \int_0^{2b} (1/2 - 1/4 x/b) \cdot Fb \cdot 1/EJ \, dx = \left[1/2 x - 1/8 x^2/b \right]_0^{2b} \cdot Fb \cdot 1/EJ$$

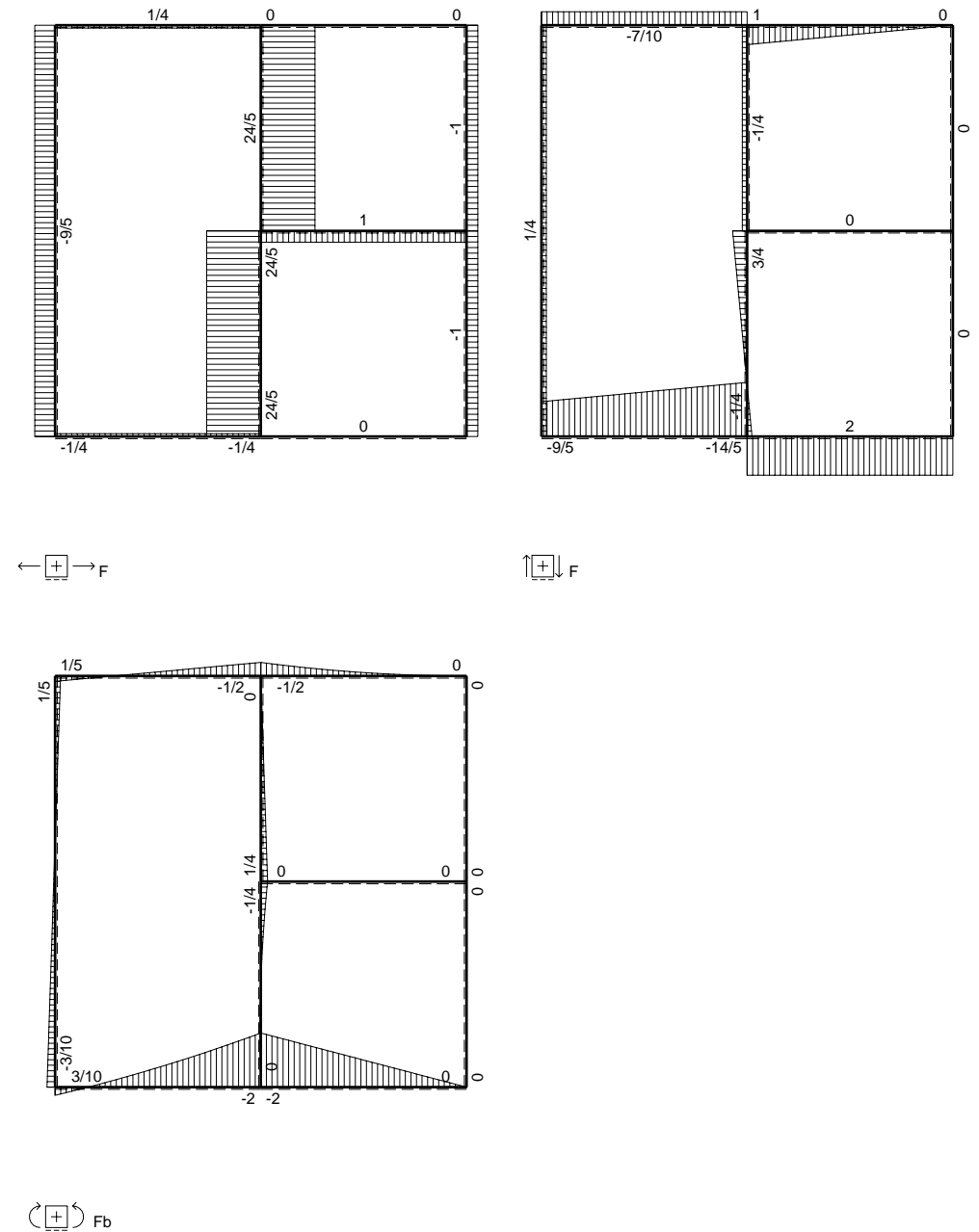
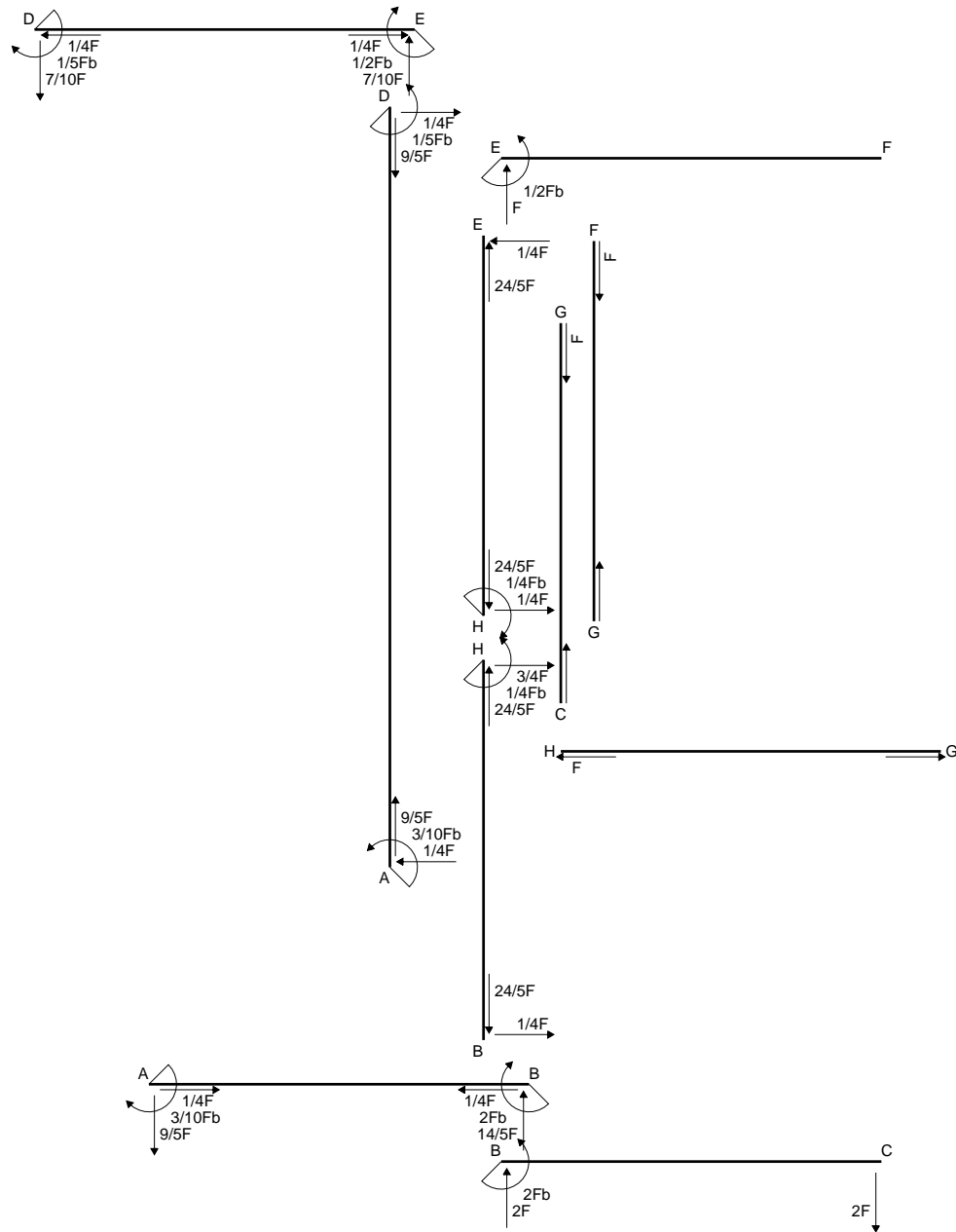
$$= (b - 1/2 b) \cdot Fb \cdot 1/EJ = 1/2 \cdot Fb^2/EJ$$

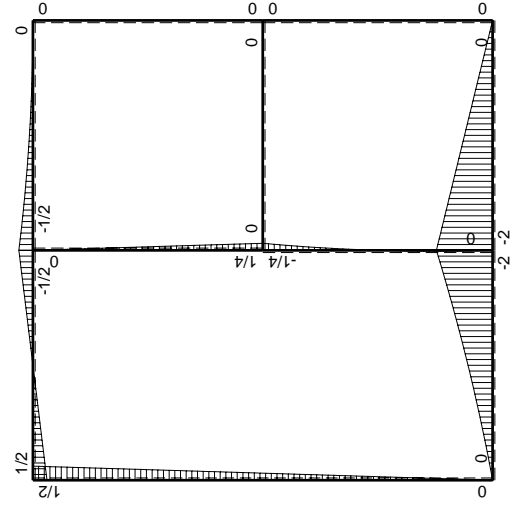
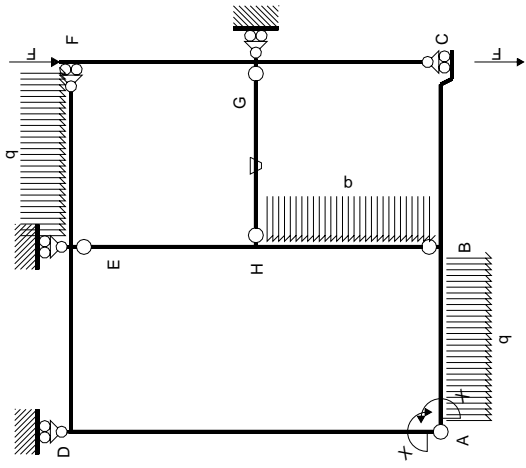
$$L_{DE}^{xo} = \int_0^b (1/2 - 3/2 x/b + x^2/b^2) \cdot Fb \cdot 1/EJ \, dx = \left[1/2 x - 3/4 x^2/b + 1/3 x^3/b^2 \right]_0^b \cdot Fb \cdot 1/EJ$$

$$= (1/2 b - 3/4 b + 1/3 b) \cdot Fb \cdot 1/EJ = 1/12 \cdot Fb^2/EJ$$

$$L_{ED}^{xo} = \int_0^b (-1/2 x/b + x^2/b^2) \cdot Fb \cdot 1/EJ \, dx = \left[-1/4 x^2/b + 1/3 x^3/b^2 \right]_0^b \cdot Fb \cdot 1/EJ$$

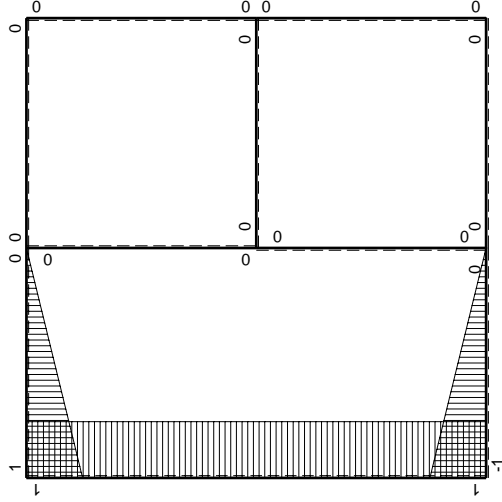
$$= (-1/4 b + 1/3 b) \cdot Fb \cdot 1/EJ = 1/12 \cdot Fb^2/EJ$$





Schema di calcolo iperstatico

M_0 flessione da carichi assegnati



M_x flessione da iperstatica $X=1$

Quadro contributi PLV per iperstatica $X=W_{AB}$

→	$M_x(x)$	$M_o(x)$	θ	$M_x M_o$	$M_x \theta$	$M_x M_x$	$\int M_x(M_o/EJ+\theta)dx$	$\int X M_x M_x/EJdx$
AB b	$-1+x/b$	$-3/2Fx-1/2qx^2$	0	$3/2Fx-Fx^2/b-1/2qx^3/b$	0	$1-2x/b+x^2/b^2$	$(7/24+0)Fb^2/EJ$	$1/3Xb/EJ$
BA b	x/b	$2Fb-5/2Fx+1/2qx^2$	0	$2Fx-5/2Fx^2/b+1/2qx^3/b$	0	x^2/b^2		
BC b	0	$-2Fb+2Fx$	0	0	0	0	0+0	0
CB b	0	$2Fx$	0	0	0	0		
AD 2b	1	$1/4Fx$	0	$1/4Fx$	0	1	$(1/2+0)Fb^2/EJ$	$2Xb/EJ$
DA 2b	-1	$-1/2Fb+1/4Fx$	0	$1/2Fb-1/4Fx$	0	1		
DE b	$1-x/b$	$1/2Fb-Fx$	0	$1/2Fb-3/2Fx+Fx^2/b$	0	$1-2x/b+x^2/b^2$	$(1/12+0)Fb^2/EJ$	$1/3Xb/EJ$
ED b	$-x/b$	$1/2Fb-Fx$	0	$-1/2Fx+Fx^2/b$	0	x^2/b^2		
EF b	0	$-1/2Fb+Fx-1/2qx^2$	0	0	0	0	0+0	0
FE b	0	$1/2qx^2$	0	0	0	0		
FG b	0	0	0	0	0	0	0+0	0
GF b	0	0	0	0	0	0		
GC b	0	0	0	0	0	0	0+0	0
CG b	0	0	0	0	0	0		
HG b	0	0	$-Fb/EJ$	0	0	0	0+0	0
GH b	0	0	Fb/EJ	0	0	0		
HB b	0	$-1/4Fb+3/4Fx-1/2qx^2$	0	0	0	0	0+0	0
BH b	0	$-1/4Fx+1/2qx^2$	0	0	0	0		
HE b	0	$1/4Fb-1/4Fx$	0	0	0	0	0+0	0
EH b	0	$-1/4Fx$	0	0	0	0		
AB	molla asta $-W_{1AB}(W_{0AB}+XW_{1AB})/k_{AB}$							$1/4Xb/EJ$
	totali						$7/8Fb^2/EJ$	$35/12Xb/EJ$
	iperstatica $X=W_{AB}$						$-3/10Fb$	

Sviluppi di calcolo iperstatica

$$L_{AB}^{xx} = \int_0^b (1 - 2x/b + x^2/b^2) \cdot 1/EJ \, dx + 1 \cdot 1/4 \cdot b/EJ = \left[x - x^2/b + 1/3 x^3/b^2 \right]_0^b \cdot 1/EJ + 1 \cdot 1/4 \cdot b/EJ$$

$$= (b - b + 1/3 b) \cdot 1/EJ + 1 \cdot 1/4 \cdot b/EJ = 7/12 \cdot b/EJ$$

$$L_{BA}^{xx} = \int_0^b (x^2/b^2) \cdot 1/EJ \, dx + 1 \cdot 1/4 \cdot b/EJ = \left[1/3 x^3/b^2 \right]_0^b \cdot 1/EJ + 1 \cdot 1/4 \cdot b/EJ$$

$$= (1/3 b) \cdot 1/EJ + 1 \cdot 1/4 \cdot b/EJ = 7/12 \cdot b/EJ$$

$$L_{AD}^{xx} = \int_0^{2b} (1) \cdot 1/EJ \, dx = \left[x \right]_0^{2b} \cdot 1/EJ$$

$$= (2b) \cdot 1/EJ = 2 \cdot b/EJ$$

$$L_{DA}^{xx} = \int_0^{2b} (1) \cdot 1/EJ \, dx = \left[x \right]_0^{2b} \cdot 1/EJ$$

$$= (2b) \cdot 1/EJ = 2 \cdot b/EJ$$

$$L_{DE}^{xx} = \int_0^b (1 - 2x/b + x^2/b^2) \cdot 1/EJ \, dx = \left[x - x^2/b + 1/3 x^3/b^2 \right]_0^b \cdot 1/EJ$$

$$= (b - b + 1/3 b) \cdot 1/EJ = 1/3 \cdot b/EJ$$

$$L_{ED}^{xx} = \int_0^b (x^2/b^2) \cdot 1/EJ \, dx = \left[1/3 x^3/b^2 \right]_0^b \cdot 1/EJ$$

$$= (1/3 b) \cdot 1/EJ = 1/3 \cdot b/EJ$$

$$L_{AB}^{xo} = \int_0^b (3/2 x/b - x^2/b^2 - 1/2 x^3/b^3) \cdot Fb \cdot 1/EJ \, dx + 1 \cdot 0 \cdot 1/4 \cdot Fb^2/EJ$$

$$= \left[3/4 x^2/b - 1/3 x^3/b^2 - 1/8 x^4/b^3 \right]_0^b \cdot Fb \cdot 1/EJ + 1 \cdot 0 \cdot 1/4 \cdot Fb^2/EJ$$

$$= (3/4 b - 1/3 b - 1/8 b) \cdot Fb \cdot 1/EJ + 1 \cdot 0 \cdot 1/4 \cdot Fb^2/EJ = 7/24 \cdot Fb^2/EJ$$

$$L_{BA}^{xo} = \int_0^b (2x/b - 5/2 x^2/b^2 + 1/2 x^3/b^3) \cdot Fb \cdot 1/EJ \, dx + 1 \cdot 0 \cdot 1/4 \cdot Fb^2/EJ$$

$$= \left[x^2/b - 5/6 x^3/b^2 + 1/8 x^4/b^3 \right]_0^b \cdot Fb \cdot 1/EJ + 1 \cdot 0 \cdot 1/4 \cdot Fb^2/EJ$$

$$= (b - 5/6 b + 1/8 b) \cdot Fb \cdot 1/EJ + 1 \cdot 0 \cdot 1/4 \cdot Fb^2/EJ = 7/24 \cdot Fb^2/EJ$$

$$L_{AD}^{xo} = \int_0^{2b} (1/4 x/b) \cdot Fb \cdot 1/EJ \, dx = \left[1/8 x^2/b \right]_0^{2b} \cdot Fb \cdot 1/EJ$$

$$= (1/2 b) \cdot Fb \cdot 1/EJ = 1/2 \cdot Fb^2/EJ$$

$$L_{DA}^{xo} = \int_0^{2b} (1/2 - 1/4 x/b) \cdot Fb \cdot 1/EJ \, dx = \left[1/2 x - 1/8 x^2/b \right]_0^{2b} \cdot Fb \cdot 1/EJ$$

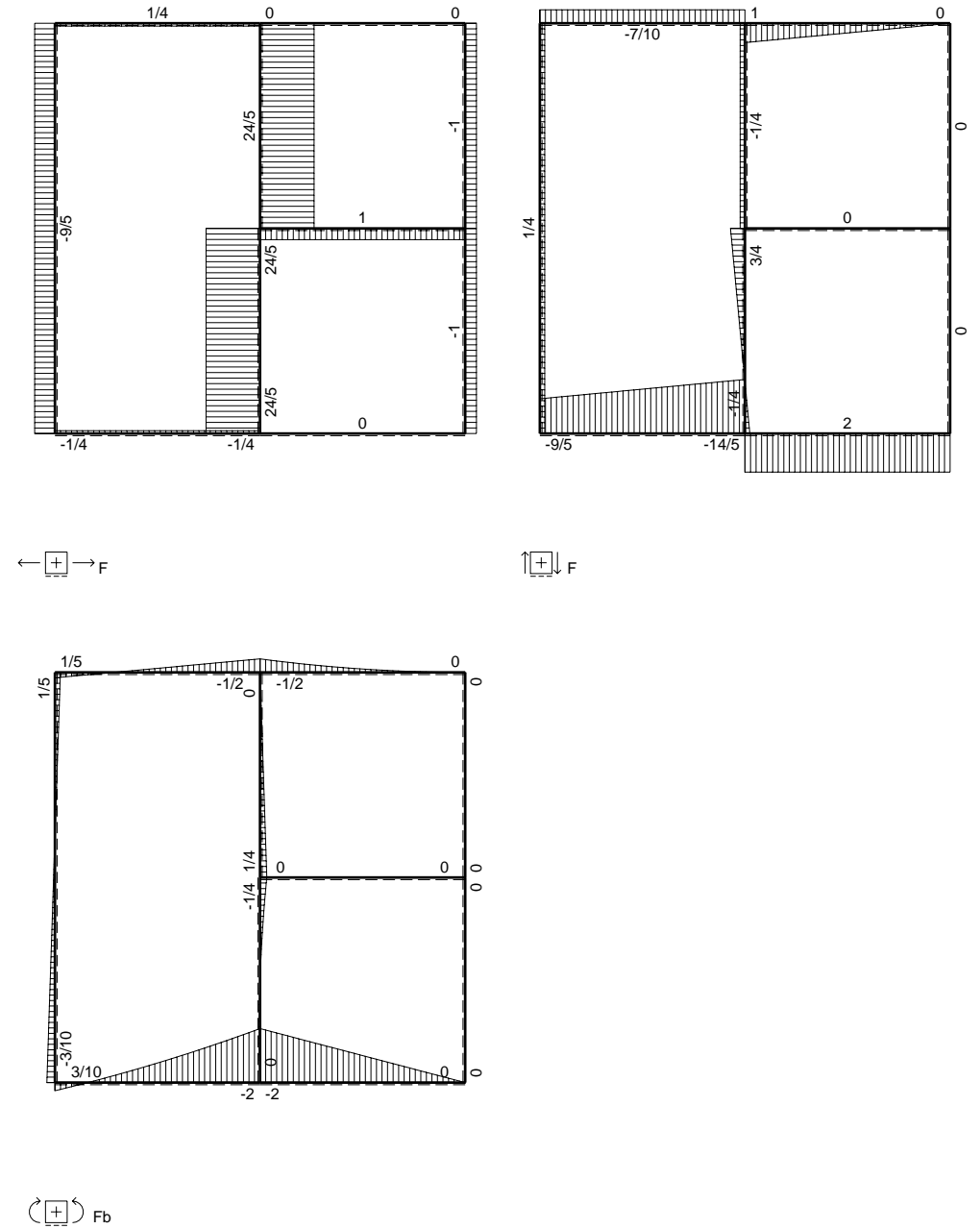
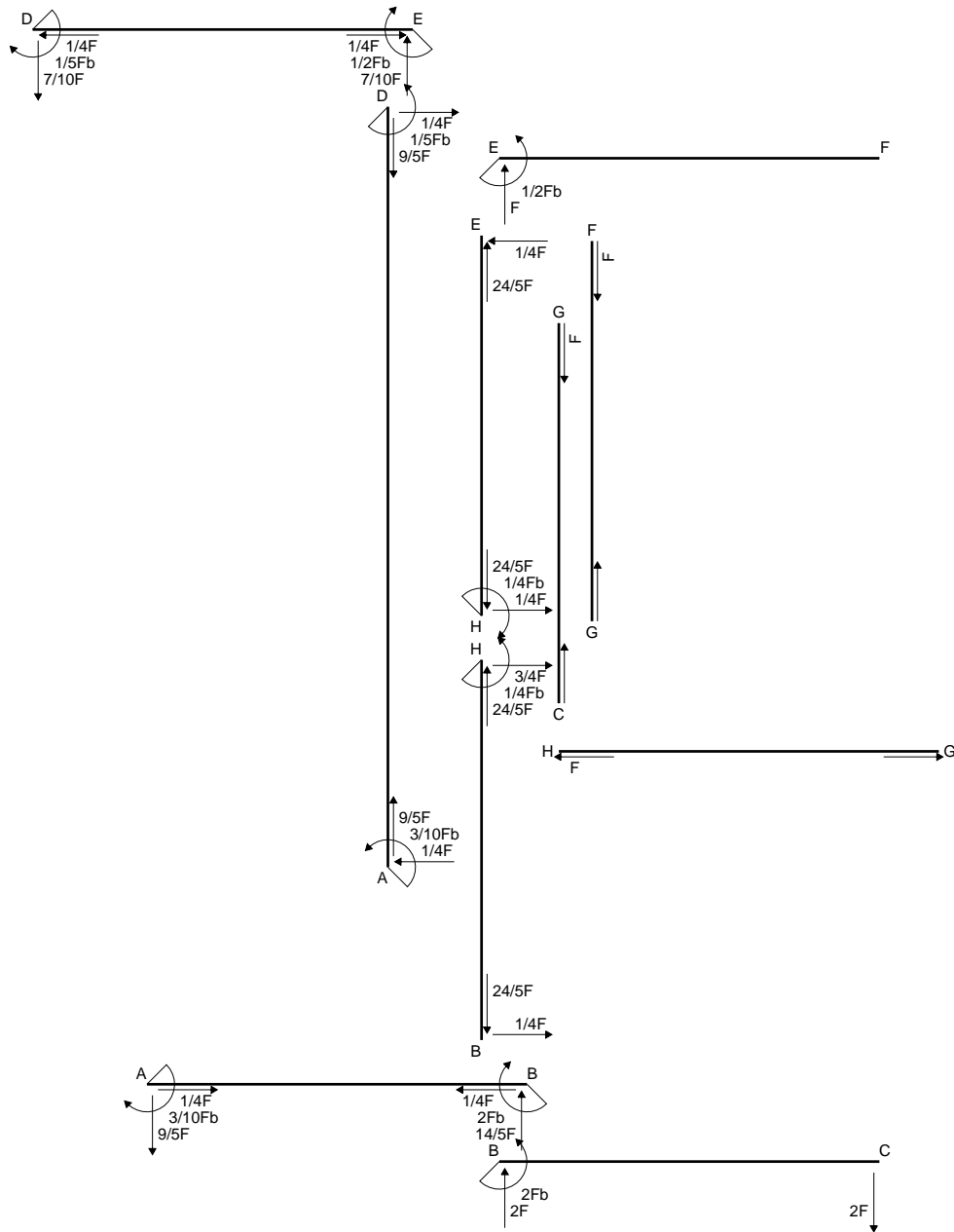
$$= (b - 1/2 b) \cdot Fb \cdot 1/EJ = 1/2 \cdot Fb^2/EJ$$

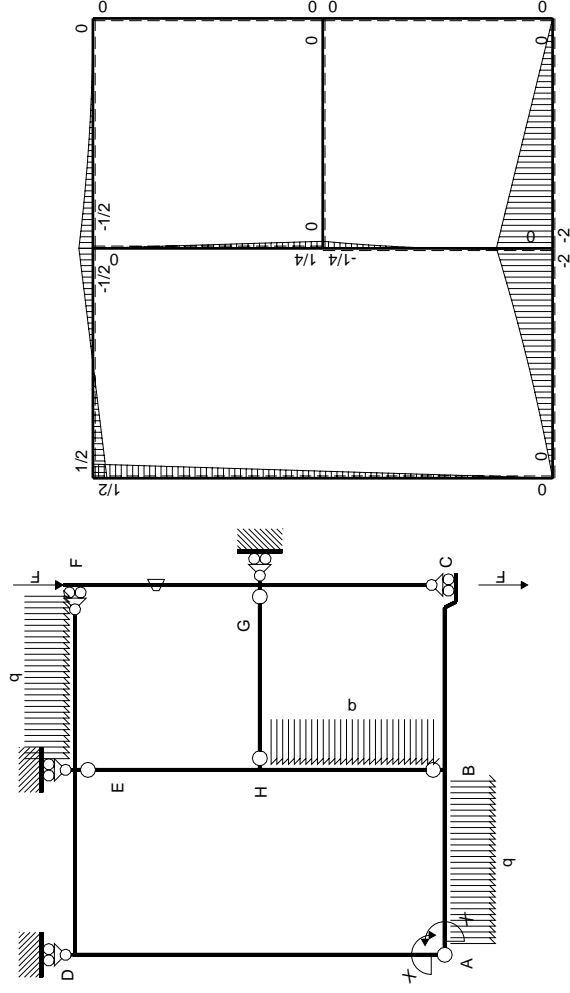
$$L_{DE}^{xo} = \int_0^b (1/2 - 3/2 x/b + x^2/b^2) \cdot Fb \cdot 1/EJ \, dx = \left[1/2 x - 3/4 x^2/b + 1/3 x^3/b^2 \right]_0^b \cdot Fb \cdot 1/EJ$$

$$= (1/2 b - 3/4 b + 1/3 b) \cdot Fb \cdot 1/EJ = 1/12 \cdot Fb^2/EJ$$

$$L_{ED}^{xo} = \int_0^b (-1/2 x/b + x^2/b^2) \cdot Fb \cdot 1/EJ \, dx = \left[-1/4 x^2/b + 1/3 x^3/b^2 \right]_0^b \cdot Fb \cdot 1/EJ$$

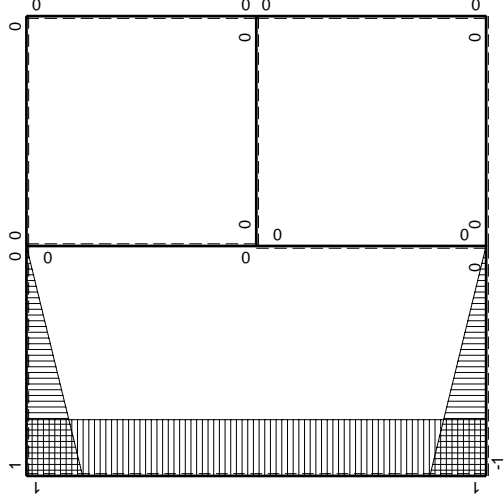
$$= (-1/4 b + 1/3 b) \cdot Fb \cdot 1/EJ = 1/12 \cdot Fb^2/EJ$$





Schema di calcolo iperstatico

Ⓜ₀ flessione da carichi assegnati



Ⓜ₁ flessione da iperstatica X=1

Quadro contributi PLV per iperstatica $X=W_{AB}$

→	$M_x(x)$	$M_o(x)$	θ	$M_x M_o$	$M_x \theta$	$M_x M_x$	$\int M_x(M_o/EJ+\theta)dx$	$\int X M_x M_x/EJ dx$
AB b	$-1+x/b$	$-3/2Fx-1/2qx^2$	0	$3/2Fx-Fx^2/b-1/2qx^3/b$	0	$1-2x/b+x^2/b^2$	$(7/24+0)Fb^2/EJ$	$1/3Xb/EJ$
BA b	x/b	$2Fb-5/2Fx+1/2qx^2$	0	$2Fx-5/2Fx^2/b+1/2qx^3/b$	0	x^2/b^2		
BC b	0	$-2Fb+2Fx$	0	0	0	0	0+0	0
CB b	0	$2Fx$	0	0	0	0		
AD 2b	1	$1/4Fx$	0	$1/4Fx$	0	1	$(1/2+0)Fb^2/EJ$	$2Xb/EJ$
DA 2b	-1	$-1/2Fb+1/4Fx$	0	$1/2Fb-1/4Fx$	0	1		
DE b	$1-x/b$	$1/2Fb-Fx$	0	$1/2Fb-3/2Fx+Fx^2/b$	0	$1-2x/b+x^2/b^2$	$(1/12+0)Fb^2/EJ$	$1/3Xb/EJ$
ED b	$-x/b$	$1/2Fb-Fx$	0	$-1/2Fx+Fx^2/b$	0	x^2/b^2		
EF b	0	$-1/2Fb+Fx-1/2qx^2$	0	0	0	0	0+0	0
FE b	0	$1/2qx^2$	0	0	0	0		
FG b	0	0	$-Fb/EJ$	0	0	0	0+0	0
GF b	0	0	Fb/EJ	0	0	0		
GC b	0	0	0	0	0	0	0+0	0
CG b	0	0	0	0	0	0		
HG b	0	0	0	0	0	0	0+0	0
GH b	0	0	0	0	0	0		
HB b	0	$-1/4Fb+3/4Fx-1/2qx^2$	0	0	0	0	0+0	0
BH b	0	$-1/4Fx+1/2qx^2$	0	0	0	0		
HE b	0	$1/4Fb-1/4Fx$	0	0	0	0	0+0	0
EH b	0	$-1/4Fx$	0	0	0	0		
AB	molla asta $-W_{1AB}(W_{0AB}+XW_{1AB})/k_{AB}$							$1/4Xb/EJ$
	totali						$7/8Fb^2/EJ$	$35/12Xb/EJ$
	iperstatica $X=W_{AB}$						$-3/10Fb$	

Sviluppi di calcolo iperstatica

$$L_{AB}^{xx} = \int_0^b (1 - 2x/b + x^2/b^2) \frac{1}{EJ} dx + 1 \cdot \frac{1}{4} \frac{b}{EJ} = \left[x - x^2/b + 1/3 x^3/b^2 \right]_0^b \frac{1}{EJ} + 1 \cdot \frac{1}{4} \frac{b}{EJ}$$

$$= (b - b + 1/3 b) \frac{1}{EJ} + 1 \cdot \frac{1}{4} \frac{b}{EJ} = 7/12 \frac{b}{EJ}$$

$$L_{BA}^{xx} = \int_0^b (x^2/b^2) \frac{1}{EJ} dx + 1 \cdot \frac{1}{4} \frac{b}{EJ} = \left[1/3 x^3/b^2 \right]_0^b \frac{1}{EJ} + 1 \cdot \frac{1}{4} \frac{b}{EJ}$$

$$= (1/3 b) \frac{1}{EJ} + 1 \cdot \frac{1}{4} \frac{b}{EJ} = 7/12 \frac{b}{EJ}$$

$$L_{AD}^{xx} = \int_0^{2b} (1) \frac{1}{EJ} dx = \left[x \right]_0^{2b} \frac{1}{EJ}$$

$$= (2b) \frac{1}{EJ} = 2 \frac{b}{EJ}$$

$$L_{DA}^{xx} = \int_0^{2b} (1) \frac{1}{EJ} dx = \left[x \right]_0^{2b} \frac{1}{EJ}$$

$$= (2b) \frac{1}{EJ} = 2 \frac{b}{EJ}$$

$$L_{DE}^{xx} = \int_0^b (1 - 2x/b + x^2/b^2) \frac{1}{EJ} dx = \left[x - x^2/b + 1/3 x^3/b^2 \right]_0^b \frac{1}{EJ}$$

$$= (b - b + 1/3 b) \frac{1}{EJ} = 1/3 \frac{b}{EJ}$$

$$L_{ED}^{xx} = \int_0^b (x^2/b^2) \frac{1}{EJ} dx = \left[1/3 x^3/b^2 \right]_0^b \frac{1}{EJ}$$

$$= (1/3 b) \frac{1}{EJ} = 1/3 \frac{b}{EJ}$$

$$L_{AB}^{xo} = \int_0^b (3/2 x/b - x^2/b^2 - 1/2 x^3/b^3) Fb \frac{1}{EJ} dx + 1 \cdot 0 \cdot \frac{1}{4} \frac{Fb^2}{EJ}$$

$$= \left[3/4 x^2/b - 1/3 x^3/b^2 - 1/8 x^4/b^3 \right]_0^b Fb \frac{1}{EJ} + 1 \cdot 0 \cdot \frac{1}{4} \frac{Fb^2}{EJ}$$

$$= (3/4 b - 1/3 b - 1/8 b) Fb \frac{1}{EJ} + 1 \cdot 0 \cdot \frac{1}{4} \frac{Fb^2}{EJ} = 7/24 \frac{Fb^2}{EJ}$$

$$L_{BA}^{xo} = \int_0^b (2x/b - 5/2 x^2/b^2 + 1/2 x^3/b^3) Fb \frac{1}{EJ} dx + 1 \cdot 0 \cdot \frac{1}{4} \frac{Fb^2}{EJ}$$

$$= \left[x^2/b - 5/6 x^3/b^2 + 1/8 x^4/b^3 \right]_0^b Fb \frac{1}{EJ} + 1 \cdot 0 \cdot \frac{1}{4} \frac{Fb^2}{EJ}$$

$$= (b - 5/6 b + 1/8 b) Fb \frac{1}{EJ} + 1 \cdot 0 \cdot \frac{1}{4} \frac{Fb^2}{EJ} = 7/24 \frac{Fb^2}{EJ}$$

$$L_{AD}^{xo} = \int_0^{2b} (1/4 x/b) Fb \frac{1}{EJ} dx = \left[1/8 x^2/b \right]_0^{2b} Fb \frac{1}{EJ}$$

$$= (1/2 b) Fb \frac{1}{EJ} = 1/2 \frac{Fb^2}{EJ}$$

$$L_{DA}^{xo} = \int_0^{2b} (1/2 - 1/4 x/b) Fb \frac{1}{EJ} dx = \left[1/2 x - 1/8 x^2/b \right]_0^{2b} Fb \frac{1}{EJ}$$

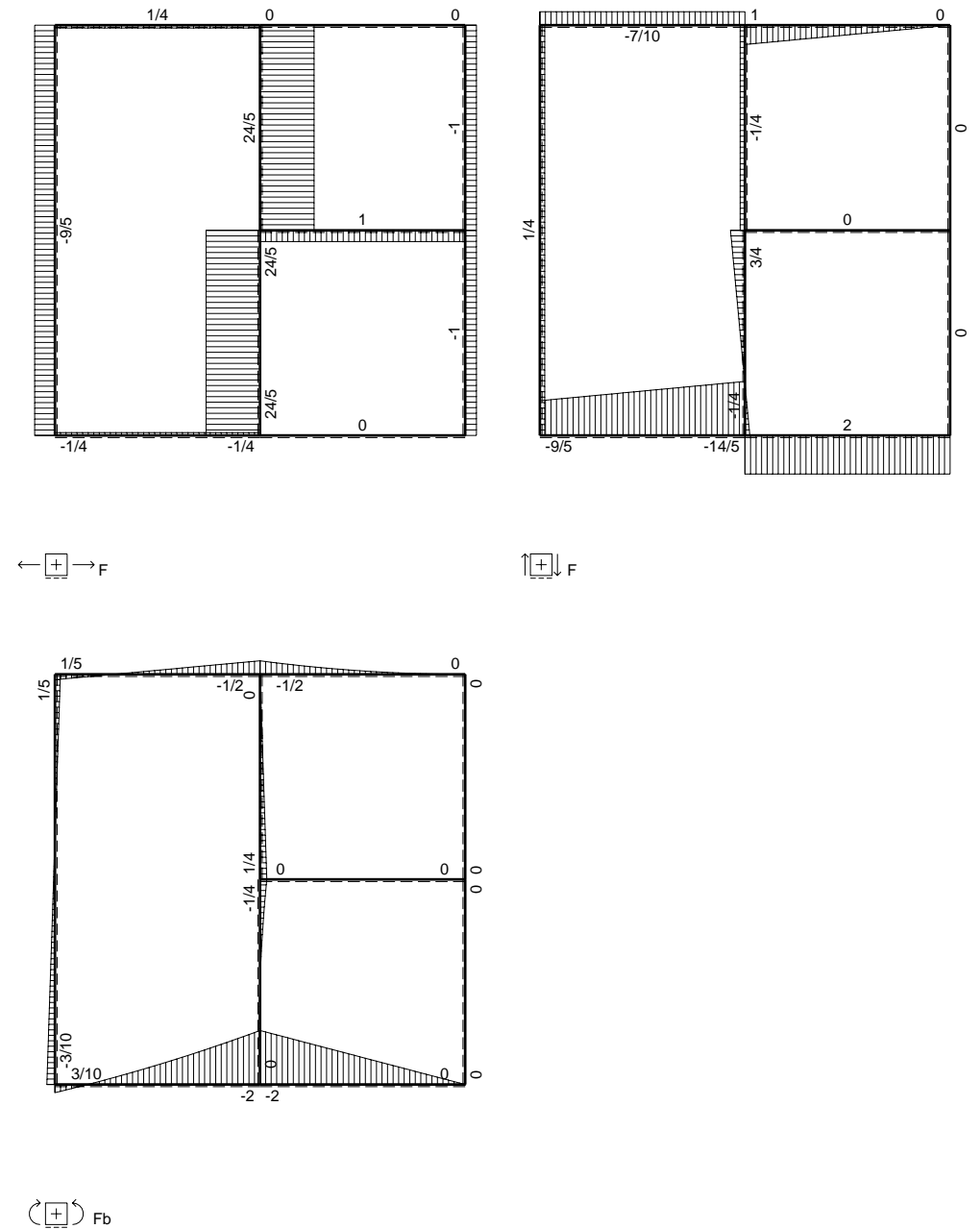
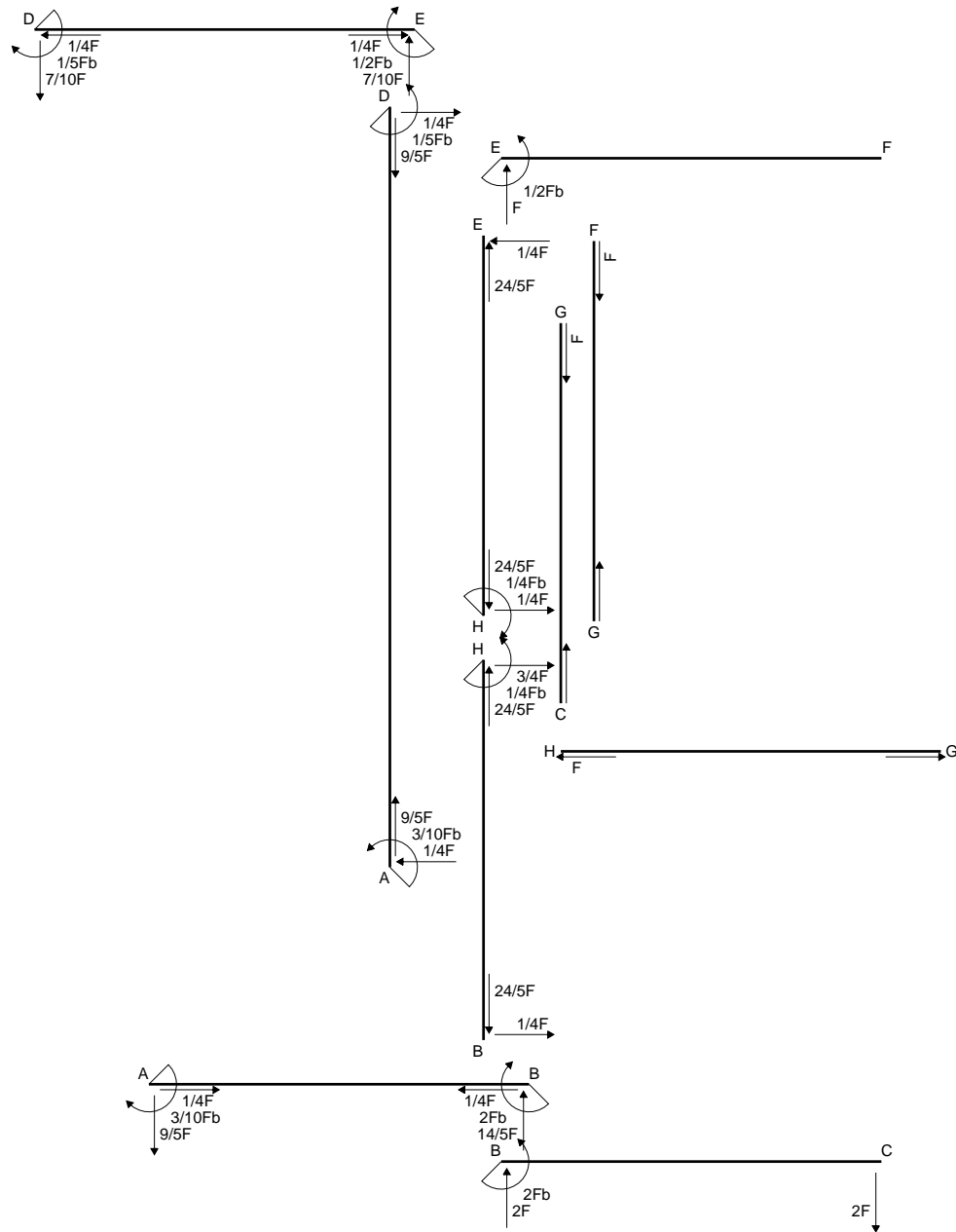
$$= (b - 1/2 b) Fb \frac{1}{EJ} = 1/2 \frac{Fb^2}{EJ}$$

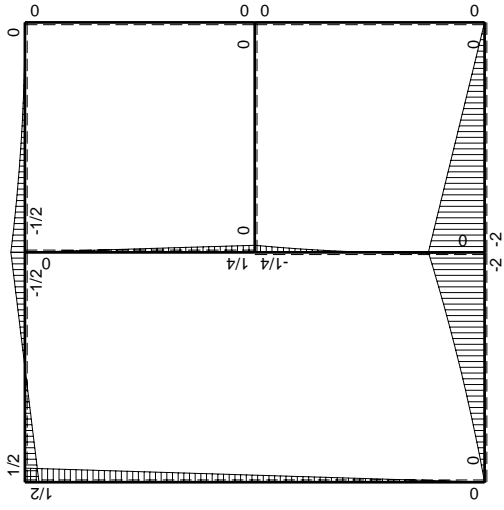
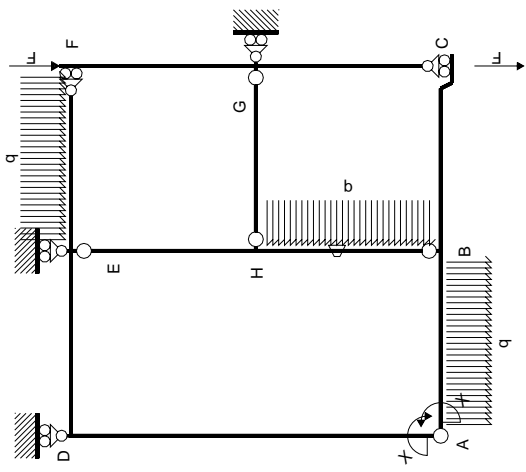
$$L_{DE}^{xo} = \int_0^b (1/2 - 3/2 x/b + x^2/b^2) Fb \frac{1}{EJ} dx = \left[1/2 x - 3/4 x^2/b + 1/3 x^3/b^2 \right]_0^b Fb \frac{1}{EJ}$$

$$= (1/2 b - 3/4 b + 1/3 b) Fb \frac{1}{EJ} = 1/12 \frac{Fb^2}{EJ}$$

$$L_{ED}^{xo} = \int_0^b (-1/2 x/b + x^2/b^2) Fb \frac{1}{EJ} dx = \left[-1/4 x^2/b + 1/3 x^3/b^2 \right]_0^b Fb \frac{1}{EJ}$$

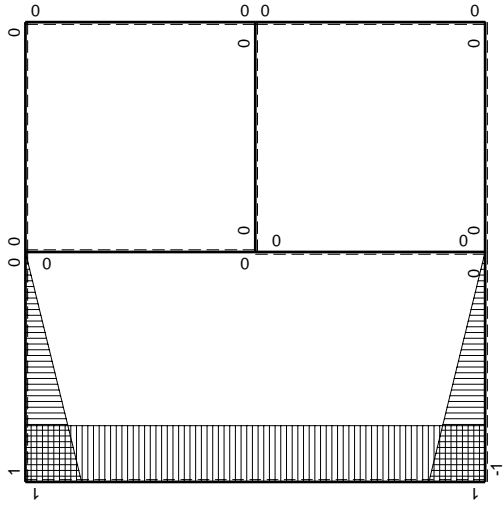
$$= (-1/4 b + 1/3 b) Fb \frac{1}{EJ} = 1/12 \frac{Fb^2}{EJ}$$





Schema di calcolo iperstatico

M_0 flessione da carichi assegnati



M_x flessione da iperstatica $X=1$

Quadro contributi PLV per iperstatica $X=W_{AB}$

→	$M_x(x)$	$M_o(x)$	θ	$M_x M_o$	$M_x \theta$	$M_x M_x$	$\int M_x(M_o/EJ+\theta)dx$	$\int X M_x M_x/EJdx$
AB b	$-1+x/b$	$-3/2Fx-1/2qx^2$	0	$3/2Fx-Fx^2/b-1/2qx^3/b$	0	$1-2x/b+x^2/b^2$	$(7/24+0)Fb^2/EJ$	$1/3Xb/EJ$
BA b	x/b	$2Fb-5/2Fx+1/2qx^2$	0	$2Fx-5/2Fx^2/b+1/2qx^3/b$	0	x^2/b^2		
BC b	0	$-2Fb+2Fx$	0	0	0	0	0+0	0
CB b	0	$2Fx$	0	0	0	0		
AD 2b	1	$1/4Fx$	0	$1/4Fx$	0	1	$(1/2+0)Fb^2/EJ$	$2Xb/EJ$
DA 2b	-1	$-1/2Fb+1/4Fx$	0	$1/2Fb-1/4Fx$	0	1		
DE b	$1-x/b$	$1/2Fb-Fx$	0	$1/2Fb-3/2Fx+Fx^2/b$	0	$1-2x/b+x^2/b^2$	$(1/12+0)Fb^2/EJ$	$1/3Xb/EJ$
ED b	$-x/b$	$1/2Fb-Fx$	0	$-1/2Fx+Fx^2/b$	0	x^2/b^2		
EF b	0	$-1/2Fb+Fx-1/2qx^2$	0	0	0	0	0+0	0
FE b	0	$1/2qx^2$	0	0	0	0		
FG b	0	0	0	0	0	0	0+0	0
GF b	0	0	0	0	0	0		
GC b	0	0	0	0	0	0	0+0	0
CG b	0	0	0	0	0	0		
HG b	0	0	0	0	0	0	0+0	0
GH b	0	0	0	0	0	0		
HB b	0	$-1/4Fb+3/4Fx-1/2qx^2$	$-Fb/EJ$	0	0	0	0+0	0
BH b	0	$-1/4Fx+1/2qx^2$	Fb/EJ	0	0	0		
HE b	0	$1/4Fb-1/4Fx$	0	0	0	0	0+0	0
EH b	0	$-1/4Fx$	0	0	0	0		
AB	molla asta $-W_{1AB}(W_{0AB}+XW_{1AB})/k_{AB}$							$1/4Xb/EJ$
	totali						$7/8Fb^2/EJ$	$35/12Xb/EJ$
	iperstatica $X=W_{AB}$						$-3/10Fb$	

Sviluppi di calcolo iperstatica

$$L_{AB}^{xx} = \int_0^b (1 - 2x/b + x^2/b^2) \frac{1}{EJ} dx + 1 \cdot \frac{1}{4} \frac{b}{EJ} = \left[x - x^2/b + 1/3 x^3/b^2 \right]_0^b \frac{1}{EJ} + 1 \cdot \frac{1}{4} \frac{b}{EJ}$$

$$= (b - b + 1/3 b) \frac{1}{EJ} + 1 \cdot \frac{1}{4} \frac{b}{EJ} = 7/12 \frac{b}{EJ}$$

$$L_{BA}^{xx} = \int_0^b (x^2/b^2) \frac{1}{EJ} dx + 1 \cdot \frac{1}{4} \frac{b}{EJ} = \left[1/3 x^3/b^2 \right]_0^b \frac{1}{EJ} + 1 \cdot \frac{1}{4} \frac{b}{EJ}$$

$$= (1/3 b) \frac{1}{EJ} + 1 \cdot \frac{1}{4} \frac{b}{EJ} = 7/12 \frac{b}{EJ}$$

$$L_{AD}^{xx} = \int_0^{2b} (1) \frac{1}{EJ} dx = \left[x \right]_0^{2b} \frac{1}{EJ}$$

$$= (2b) \frac{1}{EJ} = 2 \frac{b}{EJ}$$

$$L_{DA}^{xx} = \int_0^{2b} (1) \frac{1}{EJ} dx = \left[x \right]_0^{2b} \frac{1}{EJ}$$

$$= (2b) \frac{1}{EJ} = 2 \frac{b}{EJ}$$

$$L_{DE}^{xx} = \int_0^b (1 - 2x/b + x^2/b^2) \frac{1}{EJ} dx = \left[x - x^2/b + 1/3 x^3/b^2 \right]_0^b \frac{1}{EJ}$$

$$= (b - b + 1/3 b) \frac{1}{EJ} = 1/3 \frac{b}{EJ}$$

$$L_{ED}^{xx} = \int_0^b (x^2/b^2) \frac{1}{EJ} dx = \left[1/3 x^3/b^2 \right]_0^b \frac{1}{EJ}$$

$$= (1/3 b) \frac{1}{EJ} = 1/3 \frac{b}{EJ}$$

$$L_{AB}^{xo} = \int_0^b (3/2 x/b - x^2/b^2 - 1/2 x^3/b^3) Fb \frac{1}{EJ} dx + 1 \cdot 0 \cdot \frac{1}{4} \frac{Fb^2}{EJ}$$

$$= \left[3/4 x^2/b - 1/3 x^3/b^2 - 1/8 x^4/b^3 \right]_0^b Fb \frac{1}{EJ} + 1 \cdot 0 \cdot \frac{1}{4} \frac{Fb^2}{EJ}$$

$$= (3/4 b - 1/3 b - 1/8 b) Fb \frac{1}{EJ} + 1 \cdot 0 \cdot \frac{1}{4} \frac{Fb^2}{EJ} = 7/24 \frac{Fb^2}{EJ}$$

$$L_{BA}^{xo} = \int_0^b (2x/b - 5/2 x^2/b^2 + 1/2 x^3/b^3) Fb \frac{1}{EJ} dx + 1 \cdot 0 \cdot \frac{1}{4} \frac{Fb^2}{EJ}$$

$$= \left[x^2/b - 5/6 x^3/b^2 + 1/8 x^4/b^3 \right]_0^b Fb \frac{1}{EJ} + 1 \cdot 0 \cdot \frac{1}{4} \frac{Fb^2}{EJ}$$

$$= (b - 5/6 b + 1/8 b) Fb \frac{1}{EJ} + 1 \cdot 0 \cdot \frac{1}{4} \frac{Fb^2}{EJ} = 7/24 \frac{Fb^2}{EJ}$$

$$L_{AD}^{xo} = \int_0^{2b} (1/4 x/b) Fb \frac{1}{EJ} dx = \left[1/8 x^2/b \right]_0^{2b} Fb \frac{1}{EJ}$$

$$= (1/2 b) Fb \frac{1}{EJ} = 1/2 \frac{Fb^2}{EJ}$$

$$L_{DA}^{xo} = \int_0^{2b} (1/2 - 1/4 x/b) Fb \frac{1}{EJ} dx = \left[1/2 x - 1/8 x^2/b \right]_0^{2b} Fb \frac{1}{EJ}$$

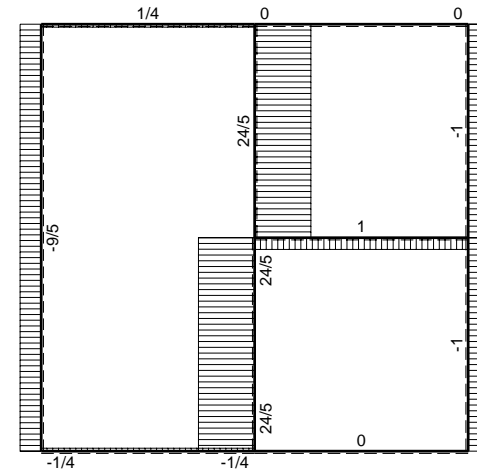
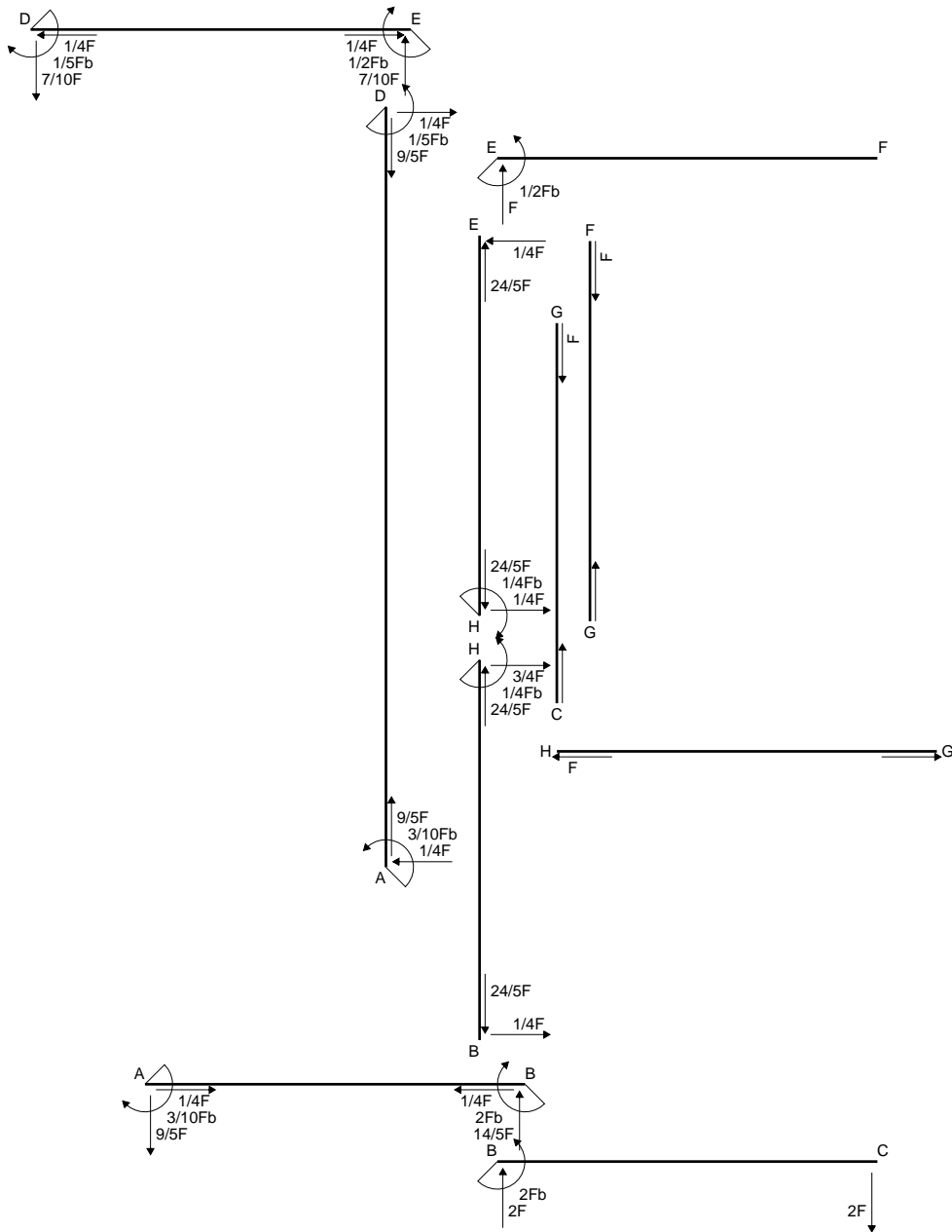
$$= (b - 1/2 b) Fb \frac{1}{EJ} = 1/2 \frac{Fb^2}{EJ}$$

$$L_{DE}^{xo} = \int_0^b (1/2 - 3/2 x/b + x^2/b^2) Fb \frac{1}{EJ} dx = \left[1/2 x - 3/4 x^2/b + 1/3 x^3/b^2 \right]_0^b Fb \frac{1}{EJ}$$

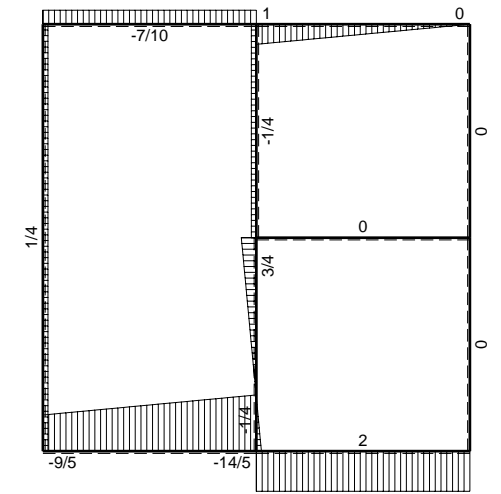
$$= (1/2 b - 3/4 b + 1/3 b) Fb \frac{1}{EJ} = 1/12 \frac{Fb^2}{EJ}$$

$$L_{ED}^{xo} = \int_0^b (-1/2 x/b + x^2/b^2) Fb \frac{1}{EJ} dx = \left[-1/4 x^2/b + 1/3 x^3/b^2 \right]_0^b Fb \frac{1}{EJ}$$

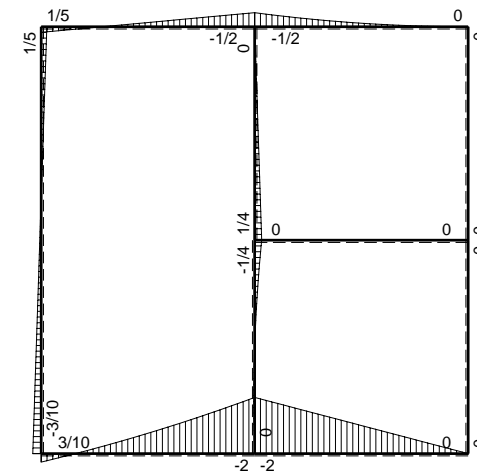
$$= (-1/4 b + 1/3 b) Fb \frac{1}{EJ} = 1/12 \frac{Fb^2}{EJ}$$



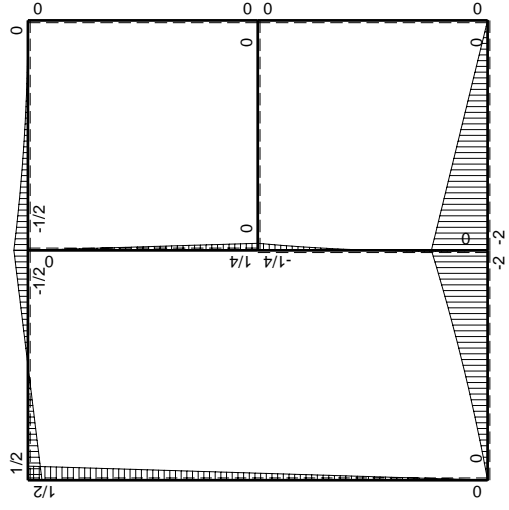
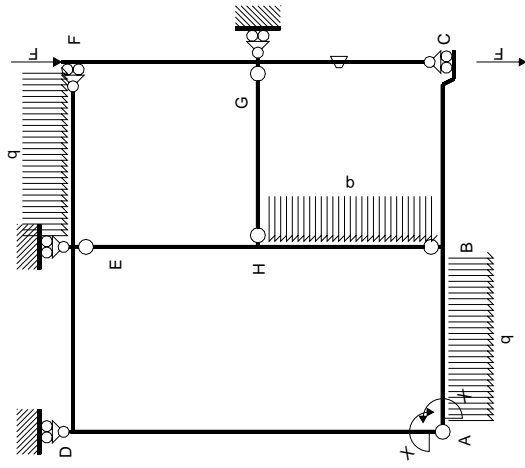
← ⊕ → F



↑ ⊕ ↓ F

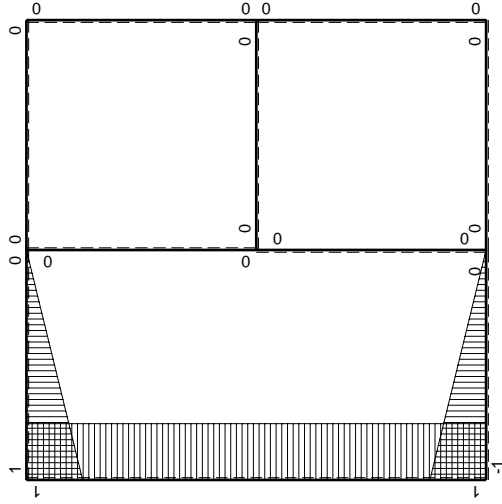


⊕ ⊖ F_b



Schema di calcolo iperstatico

M_0 flessione da carichi assegnati



M_x flessione da iperstatica X=1

Quadro contributi PLV per iperstatica $X=W_{AB}$

→	$M_x(x)$	$M_o(x)$	θ	$M_x M_o$	$M_x \theta$	$M_x M_x$	$\int M_x(M_o/EJ+\theta)dx$	$\int X M_x M_x/EJ dx$
AB b	$-1+x/b$	$-3/2Fx-1/2qx^2$	0	$3/2Fx-Fx^2/b-1/2qx^3/b$	0	$1-2x/b+x^2/b^2$	$(7/24+0)Fb^2/EJ$	$1/3Xb/EJ$
BA b	x/b	$2Fb-5/2Fx+1/2qx^2$	0	$2Fx-5/2Fx^2/b+1/2qx^3/b$	0	x^2/b^2		
BC b	0	$-2Fb+2Fx$	0	0	0	0	0+0	0
CB b	0	$2Fx$	0	0	0	0		
AD 2b	1	$1/4Fx$	0	$1/4Fx$	0	1	$(1/2+0)Fb^2/EJ$	$2Xb/EJ$
DA 2b	-1	$-1/2Fb+1/4Fx$	0	$1/2Fb-1/4Fx$	0	1		
DE b	$1-x/b$	$1/2Fb-Fx$	0	$1/2Fb-3/2Fx+Fx^2/b$	0	$1-2x/b+x^2/b^2$	$(1/12+0)Fb^2/EJ$	$1/3Xb/EJ$
ED b	$-x/b$	$1/2Fb-Fx$	0	$-1/2Fx+Fx^2/b$	0	x^2/b^2		
EF b	0	$-1/2Fb+Fx-1/2qx^2$	0	0	0	0	0+0	0
FE b	0	$1/2qx^2$	0	0	0	0		
FG b	0	0	0	0	0	0	0+0	0
GF b	0	0	0	0	0	0		
GC b	0	0	$-Fb/EJ$	0	0	0	0+0	0
CG b	0	0	Fb/EJ	0	0	0		
HG b	0	0	0	0	0	0	0+0	0
GH b	0	0	0	0	0	0		
HB b	0	$-1/4Fb+3/4Fx-1/2qx^2$	0	0	0	0	0+0	0
BH b	0	$-1/4Fx+1/2qx^2$	0	0	0	0		
HE b	0	$1/4Fb-1/4Fx$	0	0	0	0	0+0	0
EH b	0	$-1/4Fx$	0	0	0	0		
AB	molla asta $-W_{1AB}(W_{0AB}+XW_{1AB})/k_{AB}$							$1/4Xb/EJ$
	totali						$7/8Fb^2/EJ$	$35/12Xb/EJ$
	iperstatica $X=W_{AB}$						$-3/10Fb$	

Sviluppi di calcolo iperstatica

$$L_{AB}^{xx} = \int_0^b (1 - 2x/b + x^2/b^2) \cdot 1/EJ \, dx + 1 \cdot 1/4 \cdot b/EJ = \left[x - x^2/b + 1/3 x^3/b^2 \right]_0^b \cdot 1/EJ + 1 \cdot 1/4 \cdot b/EJ$$

$$= (b - b + 1/3 b) \cdot 1/EJ + 1 \cdot 1/4 \cdot b/EJ = 7/12 \cdot b/EJ$$

$$L_{BA}^{xx} = \int_0^b (x^2/b^2) \cdot 1/EJ \, dx + 1 \cdot 1/4 \cdot b/EJ = \left[1/3 x^3/b^2 \right]_0^b \cdot 1/EJ + 1 \cdot 1/4 \cdot b/EJ$$

$$= (1/3 b) \cdot 1/EJ + 1 \cdot 1/4 \cdot b/EJ = 7/12 \cdot b/EJ$$

$$L_{AD}^{xx} = \int_0^{2b} (1) \cdot 1/EJ \, dx = \left[x \right]_0^{2b} \cdot 1/EJ$$

$$= (2b) \cdot 1/EJ = 2 \cdot b/EJ$$

$$L_{DA}^{xx} = \int_0^{2b} (1) \cdot 1/EJ \, dx = \left[x \right]_0^{2b} \cdot 1/EJ$$

$$= (2b) \cdot 1/EJ = 2 \cdot b/EJ$$

$$L_{DE}^{xx} = \int_0^b (1 - 2x/b + x^2/b^2) \cdot 1/EJ \, dx = \left[x - x^2/b + 1/3 x^3/b^2 \right]_0^b \cdot 1/EJ$$

$$= (b - b + 1/3 b) \cdot 1/EJ = 1/3 \cdot b/EJ$$

$$L_{ED}^{xx} = \int_0^b (x^2/b^2) \cdot 1/EJ \, dx = \left[1/3 x^3/b^2 \right]_0^b \cdot 1/EJ$$

$$= (1/3 b) \cdot 1/EJ = 1/3 \cdot b/EJ$$

$$L_{AB}^{xo} = \int_0^b (3/2 x/b - x^2/b^2 - 1/2 x^3/b^3) \cdot Fb \cdot 1/EJ \, dx + 1 \cdot 0 \cdot 1/4 \cdot Fb^2/EJ$$

$$= \left[3/4 x^2/b - 1/3 x^3/b^2 - 1/8 x^4/b^3 \right]_0^b \cdot Fb \cdot 1/EJ + 1 \cdot 0 \cdot 1/4 \cdot Fb^2/EJ$$

$$= (3/4 b - 1/3 b - 1/8 b) \cdot Fb \cdot 1/EJ + 1 \cdot 0 \cdot 1/4 \cdot Fb^2/EJ = 7/24 \cdot Fb^2/EJ$$

$$L_{BA}^{xo} = \int_0^b (2x/b - 5/2 x^2/b^2 + 1/2 x^3/b^3) \cdot Fb \cdot 1/EJ \, dx + 1 \cdot 0 \cdot 1/4 \cdot Fb^2/EJ$$

$$= \left[x^2/b - 5/6 x^3/b^2 + 1/8 x^4/b^3 \right]_0^b \cdot Fb \cdot 1/EJ + 1 \cdot 0 \cdot 1/4 \cdot Fb^2/EJ$$

$$= (b - 5/6 b + 1/8 b) \cdot Fb \cdot 1/EJ + 1 \cdot 0 \cdot 1/4 \cdot Fb^2/EJ = 7/24 \cdot Fb^2/EJ$$

$$L_{AD}^{xo} = \int_0^{2b} (1/4 x/b) \cdot Fb \cdot 1/EJ \, dx = \left[1/8 x^2/b \right]_0^{2b} \cdot Fb \cdot 1/EJ$$

$$= (1/2 b) \cdot Fb \cdot 1/EJ = 1/2 \cdot Fb^2/EJ$$

$$L_{DA}^{xo} = \int_0^{2b} (1/2 - 1/4 x/b) \cdot Fb \cdot 1/EJ \, dx = \left[1/2 x - 1/8 x^2/b \right]_0^{2b} \cdot Fb \cdot 1/EJ$$

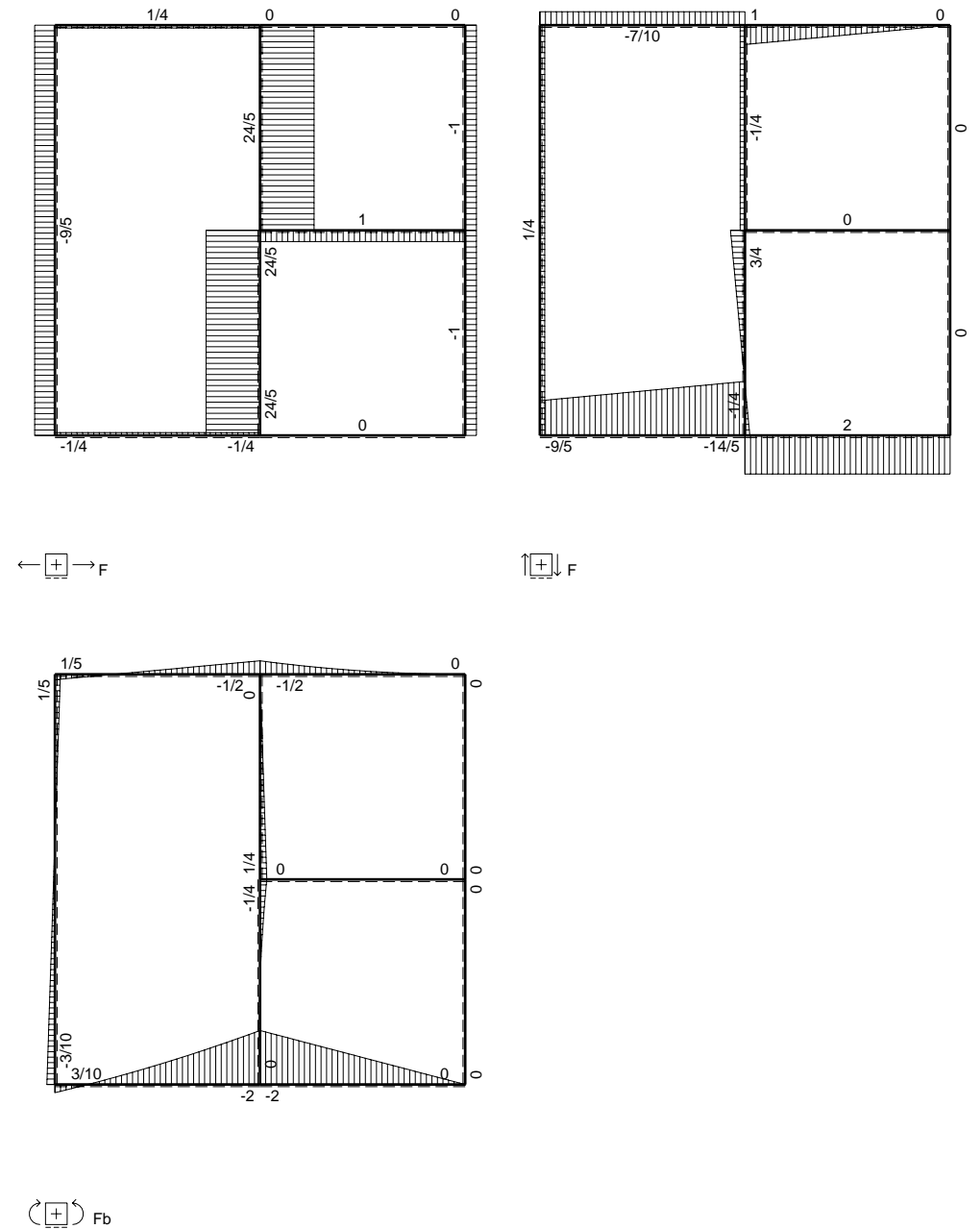
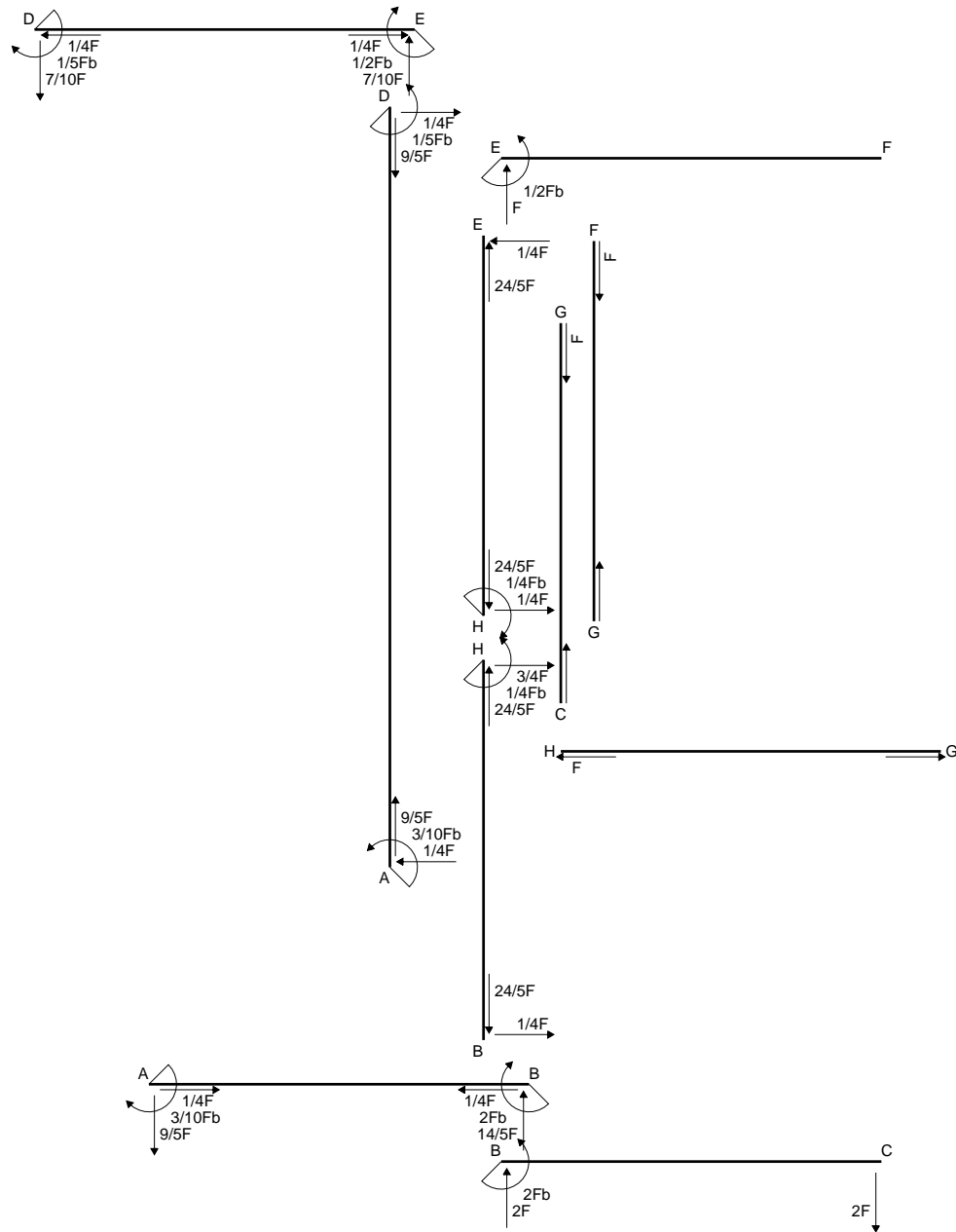
$$= (b - 1/2 b) \cdot Fb \cdot 1/EJ = 1/2 \cdot Fb^2/EJ$$

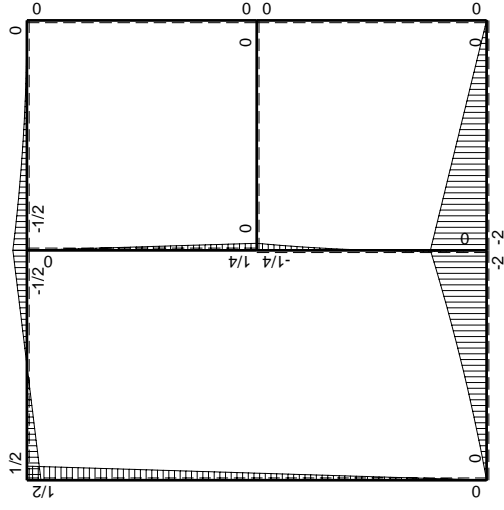
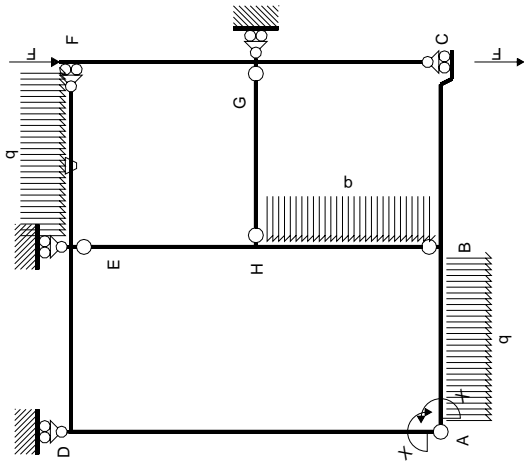
$$L_{DE}^{xo} = \int_0^b (1/2 - 3/2 x/b + x^2/b^2) \cdot Fb \cdot 1/EJ \, dx = \left[1/2 x - 3/4 x^2/b + 1/3 x^3/b^2 \right]_0^b \cdot Fb \cdot 1/EJ$$

$$= (1/2 b - 3/4 b + 1/3 b) \cdot Fb \cdot 1/EJ = 1/12 \cdot Fb^2/EJ$$

$$L_{ED}^{xo} = \int_0^b (-1/2 x/b + x^2/b^2) \cdot Fb \cdot 1/EJ \, dx = \left[-1/4 x^2/b + 1/3 x^3/b^2 \right]_0^b \cdot Fb \cdot 1/EJ$$

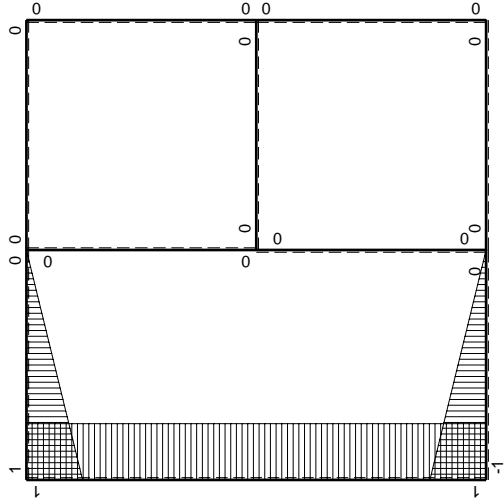
$$= (-1/4 b + 1/3 b) \cdot Fb \cdot 1/EJ = 1/12 \cdot Fb^2/EJ$$





Schema di calcolo iperstatico

M_0 flessione da carichi assegnati



M_x flessione da iperstatica $X=1$

Quadro contributi PLV per iperstatica $X=W_{AB}$

→	$M_x(x)$	$M_o(x)$	θ	$M_x M_o$	$M_x \theta$	$M_x M_x$	$\int M_x(M_o/EJ+\theta)dx$	$\int X M_x M_x/EJdx$
AB b	$-1+x/b$	$-3/2Fx-1/2qx^2$	0	$3/2Fx-Fx^2/b-1/2qx^3/b$	0	$1-2x/b+x^2/b^2$	$(7/24+0)Fb^2/EJ$	$1/3Xb/EJ$
BA b	x/b	$2Fb-5/2Fx+1/2qx^2$	0	$2Fx-5/2Fx^2/b+1/2qx^3/b$	0	x^2/b^2		
BC b	0	$-2Fb+2Fx$	0	0	0	0	0+0	0
CB b	0	$2Fx$	0	0	0	0		
AD 2b	1	$1/4Fx$	0	$1/4Fx$	0	1	$(1/2+0)Fb^2/EJ$	$2Xb/EJ$
DA 2b	-1	$-1/2Fb+1/4Fx$	0	$1/2Fb-1/4Fx$	0	1		
DE b	$1-x/b$	$1/2Fb-Fx$	0	$1/2Fb-3/2Fx+Fx^2/b$	0	$1-2x/b+x^2/b^2$	$(1/12+0)Fb^2/EJ$	$1/3Xb/EJ$
ED b	$-x/b$	$1/2Fb-Fx$	0	$-1/2Fx+Fx^2/b$	0	x^2/b^2		
EF b	0	$-1/2Fb+Fx-1/2qx^2$	$-Fb/EJ$	0	0	0	0+0	0
FE b	0	$1/2qx^2$	Fb/EJ	0	0	0		
FG b	0	0	0	0	0	0	0+0	0
GF b	0	0	0	0	0	0		
GC b	0	0	0	0	0	0	0+0	0
CG b	0	0	0	0	0	0		
HG b	0	0	0	0	0	0	0+0	0
GH b	0	0	0	0	0	0		
HB b	0	$-1/4Fb+3/4Fx-1/2qx^2$	0	0	0	0	0+0	0
BH b	0	$-1/4Fx+1/2qx^2$	0	0	0	0		
HE b	0	$1/4Fb-1/4Fx$	0	0	0	0	0+0	0
EH b	0	$-1/4Fx$	0	0	0	0		
AB	molla asta $-W_{1AB}(W_{0AB}+XW_{1AB})/k_{AB}$							$1/4Xb/EJ$
	totali						$7/8Fb^2/EJ$	$35/12Xb/EJ$
	iperstatica $X=W_{AB}$						$-3/10Fb$	

Sviluppi di calcolo iperstatica

$$L_{AB}^{xx} = \int_0^b (1 - 2x/b + x^2/b^2) \cdot 1/EJ \, dx + 1 \cdot 1/4 \cdot b/EJ = \left[x - x^2/b + 1/3 x^3/b^2 \right]_0^b \cdot 1/EJ + 1 \cdot 1/4 \cdot b/EJ$$

$$= (b - b + 1/3 b) \cdot 1/EJ + 1 \cdot 1/4 \cdot b/EJ = 7/12 \cdot b/EJ$$

$$L_{BA}^{xx} = \int_0^b (x^2/b^2) \cdot 1/EJ \, dx + 1 \cdot 1/4 \cdot b/EJ = \left[1/3 x^3/b^2 \right]_0^b \cdot 1/EJ + 1 \cdot 1/4 \cdot b/EJ$$

$$= (1/3 b) \cdot 1/EJ + 1 \cdot 1/4 \cdot b/EJ = 7/12 \cdot b/EJ$$

$$L_{AD}^{xx} = \int_0^{2b} (1) \cdot 1/EJ \, dx = \left[x \right]_0^{2b} \cdot 1/EJ$$

$$= (2b) \cdot 1/EJ = 2 \cdot b/EJ$$

$$L_{DA}^{xx} = \int_0^{2b} (1) \cdot 1/EJ \, dx = \left[x \right]_0^{2b} \cdot 1/EJ$$

$$= (2b) \cdot 1/EJ = 2 \cdot b/EJ$$

$$L_{DE}^{xx} = \int_0^b (1 - 2x/b + x^2/b^2) \cdot 1/EJ \, dx = \left[x - x^2/b + 1/3 x^3/b^2 \right]_0^b \cdot 1/EJ$$

$$= (b - b + 1/3 b) \cdot 1/EJ = 1/3 \cdot b/EJ$$

$$L_{ED}^{xx} = \int_0^b (x^2/b^2) \cdot 1/EJ \, dx = \left[1/3 x^3/b^2 \right]_0^b \cdot 1/EJ$$

$$= (1/3 b) \cdot 1/EJ = 1/3 \cdot b/EJ$$

$$L_{AB}^{xo} = \int_0^b (3/2 x/b - x^2/b^2 - 1/2 x^3/b^3) \cdot Fb \cdot 1/EJ \, dx + 1 \cdot 0 \cdot 1/4 \cdot Fb^2/EJ$$

$$= \left[3/4 x^2/b - 1/3 x^3/b^2 - 1/8 x^4/b^3 \right]_0^b \cdot Fb \cdot 1/EJ + 1 \cdot 0 \cdot 1/4 \cdot Fb^2/EJ$$

$$= (3/4 b - 1/3 b - 1/8 b) \cdot Fb \cdot 1/EJ + 1 \cdot 0 \cdot 1/4 \cdot Fb^2/EJ = 7/24 \cdot Fb^2/EJ$$

$$L_{BA}^{xo} = \int_0^b (2x/b - 5/2 x^2/b^2 + 1/2 x^3/b^3) \cdot Fb \cdot 1/EJ \, dx + 1 \cdot 0 \cdot 1/4 \cdot Fb^2/EJ$$

$$= \left[x^2/b - 5/6 x^3/b^2 + 1/8 x^4/b^3 \right]_0^b \cdot Fb \cdot 1/EJ + 1 \cdot 0 \cdot 1/4 \cdot Fb^2/EJ$$

$$= (b - 5/6 b + 1/8 b) \cdot Fb \cdot 1/EJ + 1 \cdot 0 \cdot 1/4 \cdot Fb^2/EJ = 7/24 \cdot Fb^2/EJ$$

$$L_{AD}^{xo} = \int_0^{2b} (1/4 x/b) \cdot Fb \cdot 1/EJ \, dx = \left[1/8 x^2/b \right]_0^{2b} \cdot Fb \cdot 1/EJ$$

$$= (1/2 b) \cdot Fb \cdot 1/EJ = 1/2 \cdot Fb^2/EJ$$

$$L_{DA}^{xo} = \int_0^{2b} (1/2 - 1/4 x/b) \cdot Fb \cdot 1/EJ \, dx = \left[1/2 x - 1/8 x^2/b \right]_0^{2b} \cdot Fb \cdot 1/EJ$$

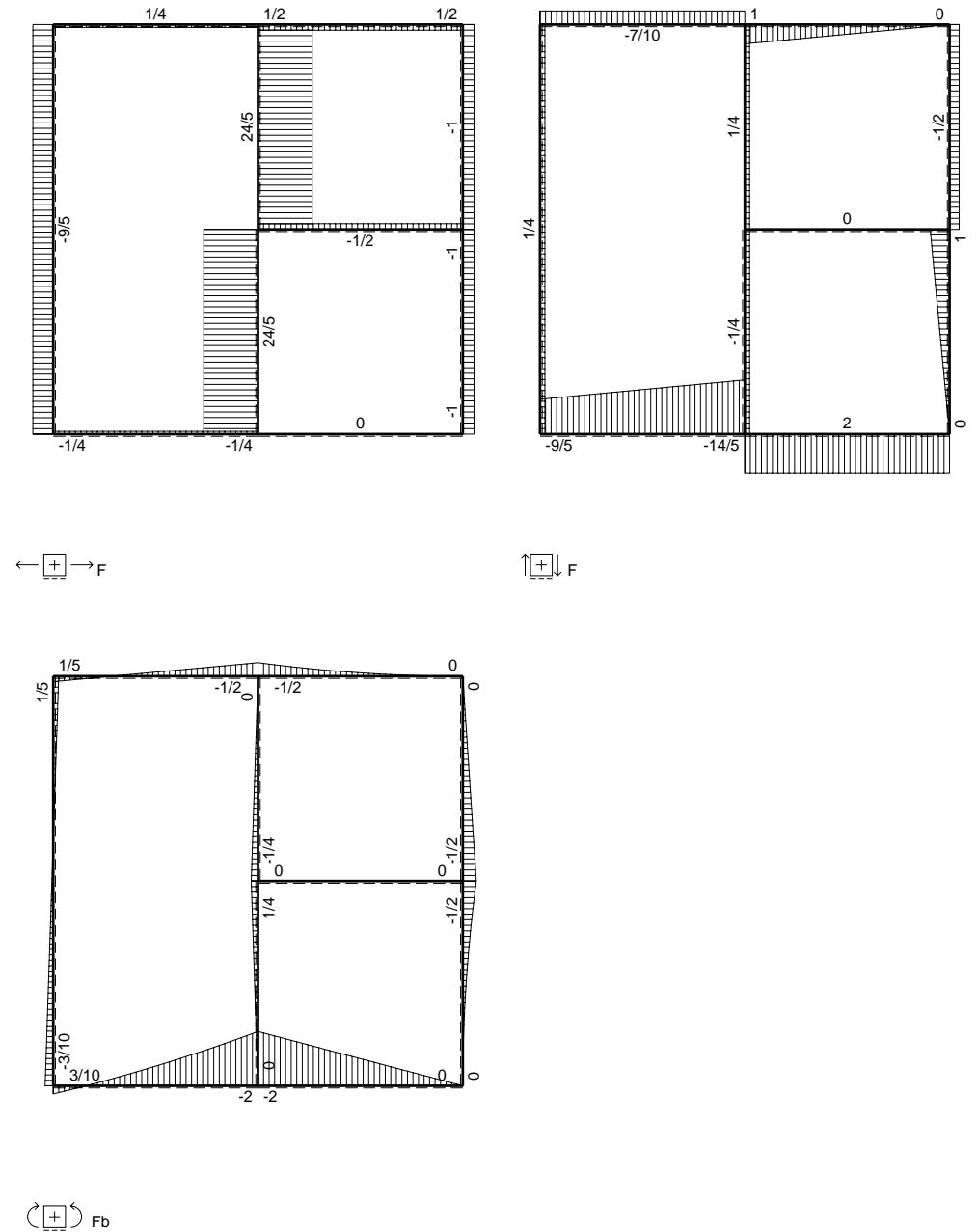
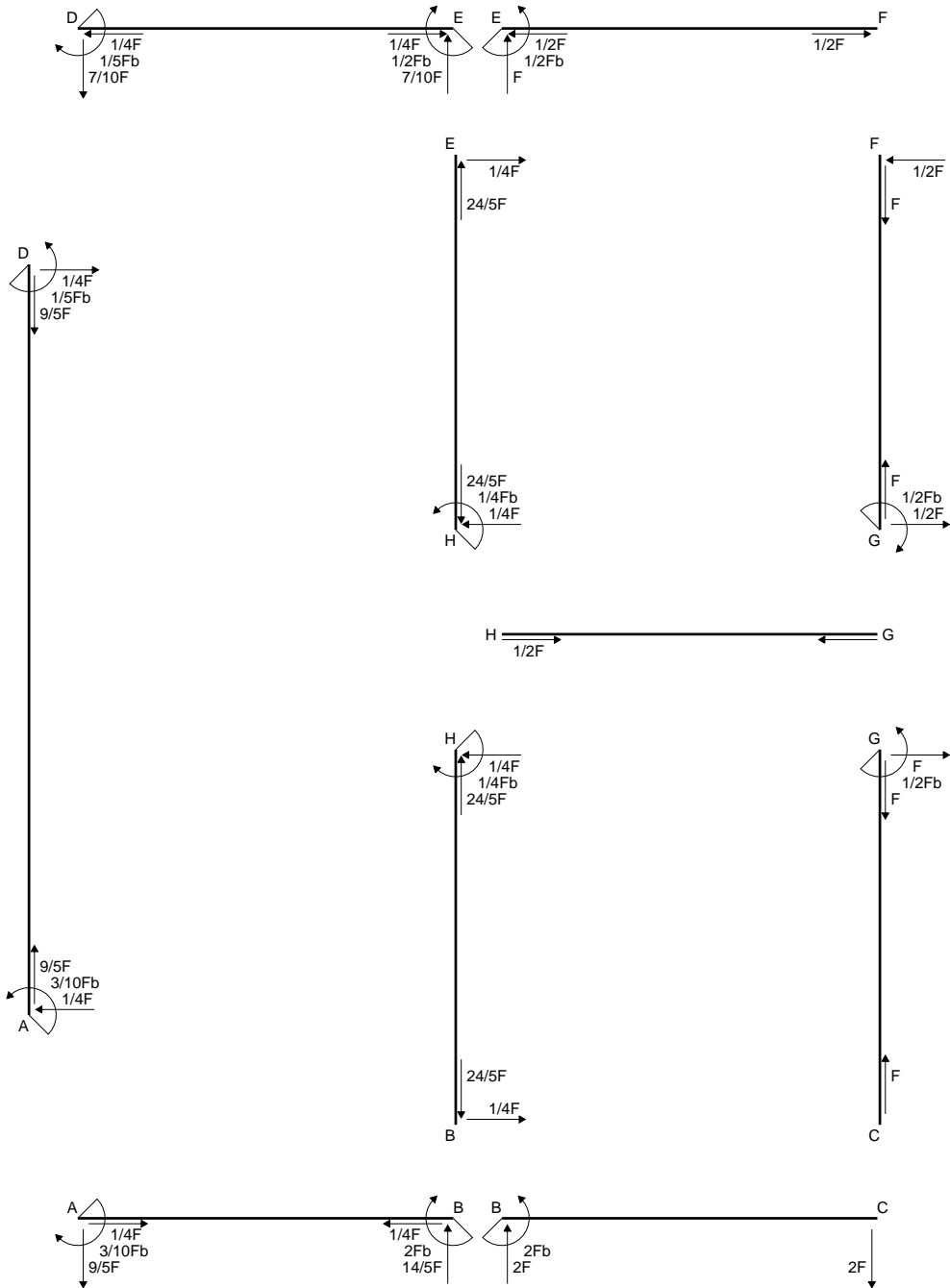
$$= (b - 1/2 b) \cdot Fb \cdot 1/EJ = 1/2 \cdot Fb^2/EJ$$

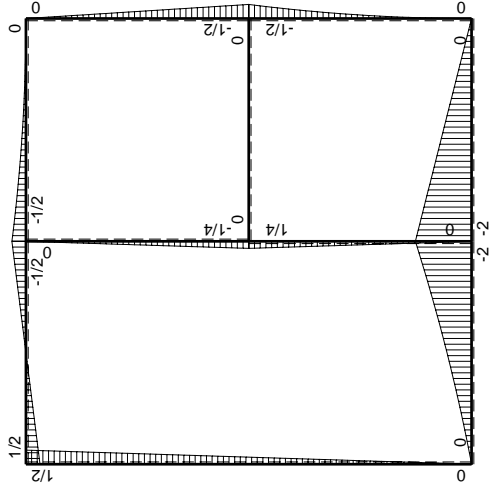
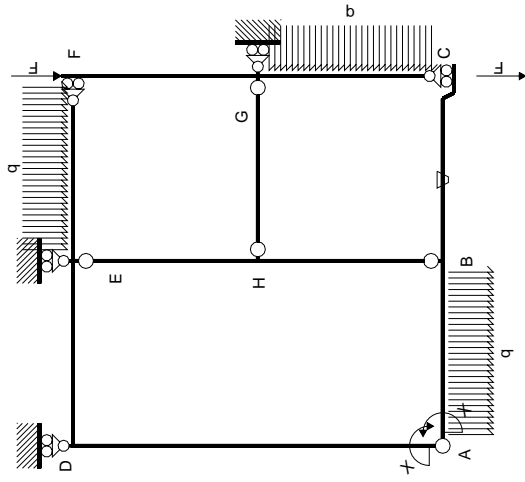
$$L_{DE}^{xo} = \int_0^b (1/2 - 3/2 x/b + x^2/b^2) \cdot Fb \cdot 1/EJ \, dx = \left[1/2 x - 3/4 x^2/b + 1/3 x^3/b^2 \right]_0^b \cdot Fb \cdot 1/EJ$$

$$= (1/2 b - 3/4 b + 1/3 b) \cdot Fb \cdot 1/EJ = 1/12 \cdot Fb^2/EJ$$

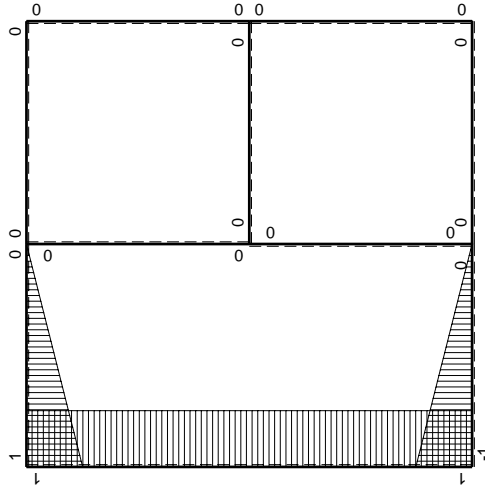
$$L_{ED}^{xo} = \int_0^b (-1/2 x/b + x^2/b^2) \cdot Fb \cdot 1/EJ \, dx = \left[-1/4 x^2/b + 1/3 x^3/b^2 \right]_0^b \cdot Fb \cdot 1/EJ$$

$$= (-1/4 b + 1/3 b) \cdot Fb \cdot 1/EJ = 1/12 \cdot Fb^2/EJ$$





(\oplus) M_0 flessione da carichi assegnati



(\oplus) M_1 flessione da iperstatica $X=1$

Quadro contributi PLV per iperstatica $X=W_{AB}$

→	$M_x(x)$	$M_o(x)$	θ	$M_x M_o$	$M_x \theta$	$M_x M_x$	$\int M_x(M_o/EJ+\theta)dx$	$\int X M_x M_x/EJ dx$	
AB b	$-1+x/b$	$-3/2Fx-1/2qx^2$	0	$3/2Fx-Fx^2/b-1/2qx^3/b$	0	$1-2x/b+x^2/b^2$	$(7/24+0)Fb^2/EJ$	$1/3Xb/EJ$	
BA b	x/b	$2Fb-5/2Fx+1/2qx^2$	0	$2Fx-5/2Fx^2/b+1/2qx^3/b$	0	x^2/b^2			
BC b	0	$-2Fb+2Fx$	$-Fb/EJ$	0	0	0	0+0	0	
CB b	0	$2Fx$	Fb/EJ	0	0	0			
AD 2b	1	$1/4Fx$	0	$1/4Fx$	0	1	$(1/2+0)Fb^2/EJ$	$2Xb/EJ$	
DA 2b	-1	$-1/2Fb+1/4Fx$	0	$1/2Fb-1/4Fx$	0	1			
DE b	$1-x/b$	$1/2Fb-Fx$	0	$1/2Fb-3/2Fx+Fx^2/b$	0	$1-2x/b+x^2/b^2$	$(1/12+0)Fb^2/EJ$	$1/3Xb/EJ$	
ED b	$-x/b$	$1/2Fb-Fx$	0	$-1/2Fx+Fx^2/b$	0	x^2/b^2			
EF b	0	$-1/2Fb+Fx-1/2qx^2$	0	0	0	0	0+0	0	
FE b	0	$1/2qx^2$	0	0	0	0			
FG b	0	$-1/2Fx$	0	0	0	0	0+0	0	
GF b	0	$1/2Fb-1/2Fx$	0	0	0	0			
GC b	0	$-1/2Fb+Fx-1/2qx^2$	0	0	0	0	0+0	0	
CG b	0	$1/2qx^2$	0	0	0	0			
HG b	0	0	0	0	0	0	0+0	0	
GH b	0	0	0	0	0	0			
HB b	0	$1/4Fb-1/4Fx$	0	0	0	0	0+0	0	
BH b	0	$-1/4Fx$	0	0	0	0			
HE b	0	$-1/4Fb+1/4Fx$	0	0	0	0	0+0	0	
EH b	0	$1/4Fx$	0	0	0	0			
AB	molla asta $-W_{1AB}(W_{0AB}+XW_{1AB})/k_{AB}$								$1/4Xb/EJ$
	totali							$7/8Fb^2/EJ$	$35/12Xb/EJ$
	iperstatica $X=W_{AB}$							$-3/10Fb$	

Sviluppi di calcolo iperstatica

$$L_{AB}^{xx} = \int_0^b (1 - 2x/b + x^2/b^2) \cdot 1/EJ \, dx + 1 \cdot 1/4 \cdot b/EJ = \left[x - x^2/b + 1/3 x^3/b^2 \right]_0^b \cdot 1/EJ + 1 \cdot 1/4 \cdot b/EJ$$

$$= (b - b + 1/3 b) \cdot 1/EJ + 1 \cdot 1/4 \cdot b/EJ = 7/12 \cdot b/EJ$$

$$L_{BA}^{xx} = \int_0^b (x^2/b^2) \cdot 1/EJ \, dx + 1 \cdot 1/4 \cdot b/EJ = \left[1/3 x^3/b^2 \right]_0^b \cdot 1/EJ + 1 \cdot 1/4 \cdot b/EJ$$

$$= (1/3 b) \cdot 1/EJ + 1 \cdot 1/4 \cdot b/EJ = 7/12 \cdot b/EJ$$

$$L_{AD}^{xx} = \int_0^{2b} (1) \cdot 1/EJ \, dx = \left[x \right]_0^{2b} \cdot 1/EJ$$

$$= (2b) \cdot 1/EJ = 2 \cdot b/EJ$$

$$L_{DA}^{xx} = \int_0^{2b} (1) \cdot 1/EJ \, dx = \left[x \right]_0^{2b} \cdot 1/EJ$$

$$= (2b) \cdot 1/EJ = 2 \cdot b/EJ$$

$$L_{DE}^{xx} = \int_0^b (1 - 2x/b + x^2/b^2) \cdot 1/EJ \, dx = \left[x - x^2/b + 1/3 x^3/b^2 \right]_0^b \cdot 1/EJ$$

$$= (b - b + 1/3 b) \cdot 1/EJ = 1/3 \cdot b/EJ$$

$$L_{ED}^{xx} = \int_0^b (x^2/b^2) \cdot 1/EJ \, dx = \left[1/3 x^3/b^2 \right]_0^b \cdot 1/EJ$$

$$= (1/3 b) \cdot 1/EJ = 1/3 \cdot b/EJ$$

$$L_{AB}^{xo} = \int_0^b (3/2 x/b - x^2/b^2 - 1/2 x^3/b^3) \cdot Fb \cdot 1/EJ \, dx + 1 \cdot 0 \cdot 1/4 \cdot Fb^2/EJ$$

$$= \left[3/4 x^2/b - 1/3 x^3/b^2 - 1/8 x^4/b^3 \right]_0^b \cdot Fb \cdot 1/EJ + 1 \cdot 0 \cdot 1/4 \cdot Fb^2/EJ$$

$$= (3/4 b - 1/3 b - 1/8 b) \cdot Fb \cdot 1/EJ + 1 \cdot 0 \cdot 1/4 \cdot Fb^2/EJ = 7/24 \cdot Fb^2/EJ$$

$$L_{BA}^{xo} = \int_0^b (2x/b - 5/2 x^2/b^2 + 1/2 x^3/b^3) \cdot Fb \cdot 1/EJ \, dx + 1 \cdot 0 \cdot 1/4 \cdot Fb^2/EJ$$

$$= \left[x^2/b - 5/6 x^3/b^2 + 1/8 x^4/b^3 \right]_0^b \cdot Fb \cdot 1/EJ + 1 \cdot 0 \cdot 1/4 \cdot Fb^2/EJ$$

$$= (b - 5/6 b + 1/8 b) \cdot Fb \cdot 1/EJ + 1 \cdot 0 \cdot 1/4 \cdot Fb^2/EJ = 7/24 \cdot Fb^2/EJ$$

$$L_{AD}^{xo} = \int_0^{2b} (1/4 x/b) \cdot Fb \cdot 1/EJ \, dx = \left[1/8 x^2/b \right]_0^{2b} \cdot Fb \cdot 1/EJ$$

$$= (1/2 b) \cdot Fb \cdot 1/EJ = 1/2 \cdot Fb^2/EJ$$

$$L_{DA}^{xo} = \int_0^{2b} (1/2 - 1/4 x/b) \cdot Fb \cdot 1/EJ \, dx = \left[1/2 x - 1/8 x^2/b \right]_0^{2b} \cdot Fb \cdot 1/EJ$$

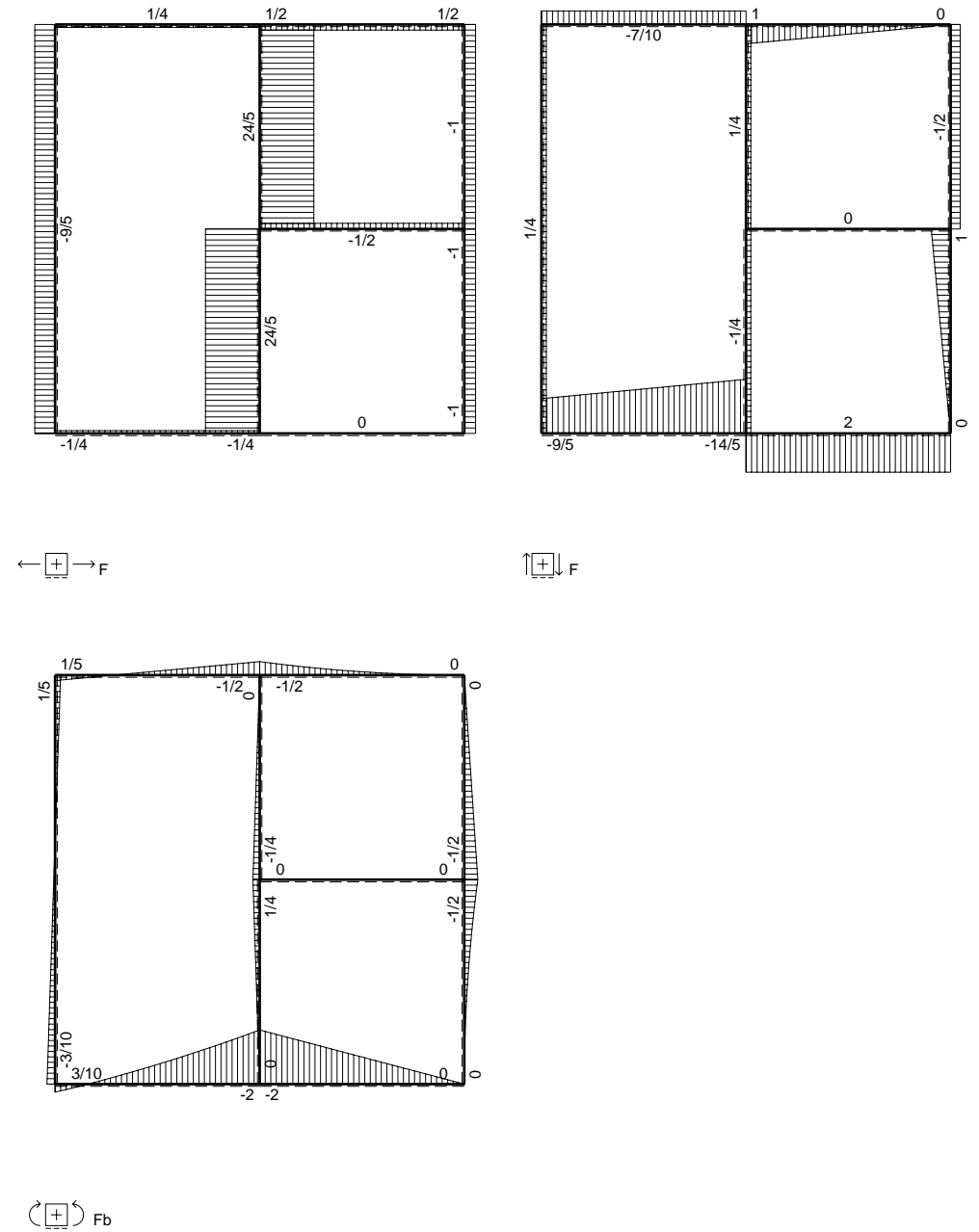
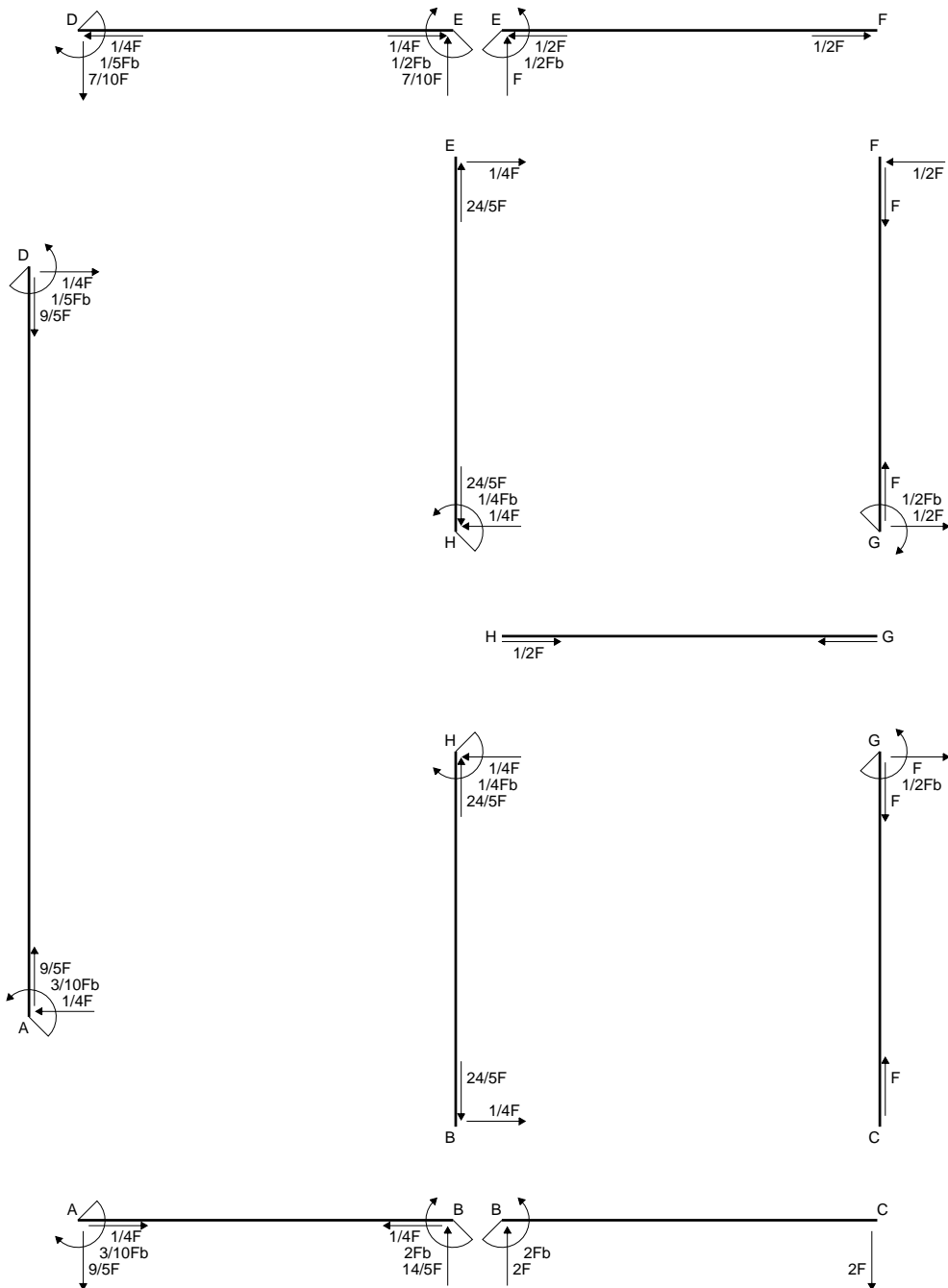
$$= (b - 1/2 b) \cdot Fb \cdot 1/EJ = 1/2 \cdot Fb^2/EJ$$

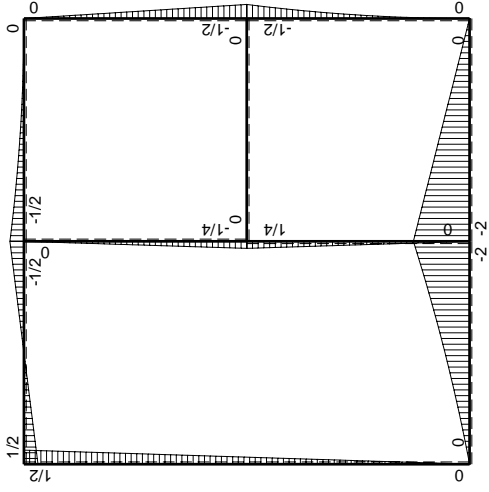
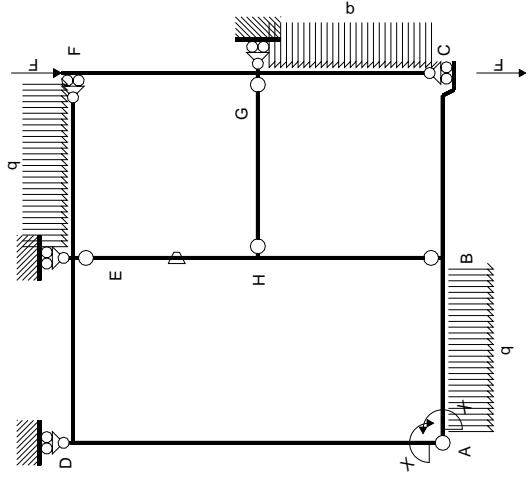
$$L_{DE}^{xo} = \int_0^b (1/2 - 3/2 x/b + x^2/b^2) \cdot Fb \cdot 1/EJ \, dx = \left[1/2 x - 3/4 x^2/b + 1/3 x^3/b^2 \right]_0^b \cdot Fb \cdot 1/EJ$$

$$= (1/2 b - 3/4 b + 1/3 b) \cdot Fb \cdot 1/EJ = 1/12 \cdot Fb^2/EJ$$

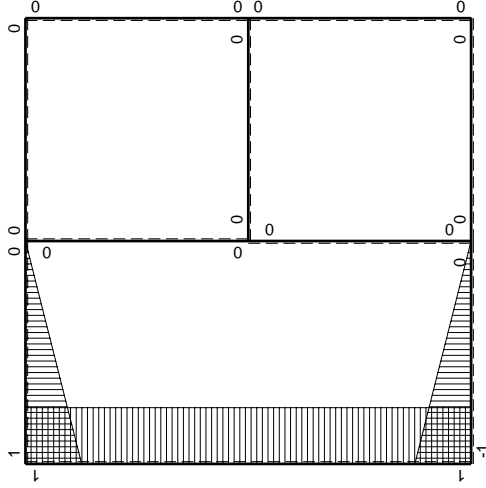
$$L_{ED}^{xo} = \int_0^b (-1/2 x/b + x^2/b^2) \cdot Fb \cdot 1/EJ \, dx = \left[-1/4 x^2/b + 1/3 x^3/b^2 \right]_0^b \cdot Fb \cdot 1/EJ$$

$$= (-1/4 b + 1/3 b) \cdot Fb \cdot 1/EJ = 1/12 \cdot Fb^2/EJ$$





(\oplus) M_0 flessione da carichi assegnati



(\oplus) M_x flessione da iperstatica $X=1$

Quadro contributi PLV per iperstatica $X=W_{AB}$

→	$M_x(x)$	$M_o(x)$	θ	$M_x M_o$	$M_x \theta$	$M_x M_x$	$\int M_x(M_o/EJ+\theta)dx$	$\int X M_x M_x/EJ dx$	
AB b	$-1+x/b$	$-3/2Fx-1/2qx^2$	0	$3/2Fx-Fx^2/b-1/2qx^3/b$	0	$1-2x/b+x^2/b^2$	$(7/24+0)Fb^2/EJ$	$1/3Xb/EJ$	
BA b	x/b	$2Fb-5/2Fx+1/2qx^2$	0	$2Fx-5/2Fx^2/b+1/2qx^3/b$	0	x^2/b^2			
BC b	0	$-2Fb+2Fx$	0	0	0	0	0+0	0	
CB b	0	$2Fx$	0	0	0	0			
AD 2b	1	$1/4Fx$	0	$1/4Fx$	0	1	$(1/2+0)Fb^2/EJ$	$2Xb/EJ$	
DA 2b	-1	$-1/2Fb+1/4Fx$	0	$1/2Fb-1/4Fx$	0	1			
DE b	$1-x/b$	$1/2Fb-Fx$	0	$1/2Fb-3/2Fx+Fx^2/b$	0	$1-2x/b+x^2/b^2$	$(1/12+0)Fb^2/EJ$	$1/3Xb/EJ$	
ED b	$-x/b$	$1/2Fb-Fx$	0	$-1/2Fx+Fx^2/b$	0	x^2/b^2			
EF b	0	$-1/2Fb+Fx-1/2qx^2$	0	0	0	0	0+0	0	
FE b	0	$1/2qx^2$	0	0	0	0			
FG b	0	$-1/2Fx$	0	0	0	0	0+0	0	
GF b	0	$1/2Fb-1/2Fx$	0	0	0	0			
GC b	0	$-1/2Fb+Fx-1/2qx^2$	0	0	0	0	0+0	0	
CG b	0	$1/2qx^2$	0	0	0	0			
HG b	0	0	0	0	0	0	0+0	0	
GH b	0	0	0	0	0	0			
HB b	0	$1/4Fb-1/4Fx$	0	0	0	0	0+0	0	
BH b	0	$-1/4Fx$	0	0	0	0			
HE b	0	$-1/4Fb+1/4Fx$	$-Fb/EJ$	0	0	0	0+0	0	
EH b	0	$1/4Fx$	Fb/EJ	0	0	0			
AB	molla asta $-W_{1AB}(W_{0AB}+XW_{1AB})/k_{AB}$								$1/4Xb/EJ$
	totali							$7/8Fb^2/EJ$	$35/12Xb/EJ$
	iperstatica $X=W_{AB}$							$-3/10Fb$	

Sviluppi di calcolo iperstatica

$$L_{AB}^{xx} = \int_0^b (1 - 2x/b + x^2/b^2) \frac{1}{EJ} dx + 1 \cdot \frac{1}{4} \frac{b}{EJ} = \left[x - x^2/b + 1/3 x^3/b^2 \right]_0^b \frac{1}{EJ} + 1 \cdot \frac{1}{4} \frac{b}{EJ}$$

$$= (b - b + 1/3 b) \frac{1}{EJ} + 1 \cdot \frac{1}{4} \frac{b}{EJ} = 7/12 \frac{b}{EJ}$$

$$L_{BA}^{xx} = \int_0^b (x^2/b^2) \frac{1}{EJ} dx + 1 \cdot \frac{1}{4} \frac{b}{EJ} = \left[1/3 x^3/b^2 \right]_0^b \frac{1}{EJ} + 1 \cdot \frac{1}{4} \frac{b}{EJ}$$

$$= (1/3 b) \frac{1}{EJ} + 1 \cdot \frac{1}{4} \frac{b}{EJ} = 7/12 \frac{b}{EJ}$$

$$L_{AD}^{xx} = \int_0^{2b} (1) \frac{1}{EJ} dx = \left[x \right]_0^{2b} \frac{1}{EJ}$$

$$= (2b) \frac{1}{EJ} = 2 \frac{b}{EJ}$$

$$L_{DA}^{xx} = \int_0^{2b} (1) \frac{1}{EJ} dx = \left[x \right]_0^{2b} \frac{1}{EJ}$$

$$= (2b) \frac{1}{EJ} = 2 \frac{b}{EJ}$$

$$L_{DE}^{xx} = \int_0^b (1 - 2x/b + x^2/b^2) \frac{1}{EJ} dx = \left[x - x^2/b + 1/3 x^3/b^2 \right]_0^b \frac{1}{EJ}$$

$$= (b - b + 1/3 b) \frac{1}{EJ} = 1/3 \frac{b}{EJ}$$

$$L_{ED}^{xx} = \int_0^b (x^2/b^2) \frac{1}{EJ} dx = \left[1/3 x^3/b^2 \right]_0^b \frac{1}{EJ}$$

$$= (1/3 b) \frac{1}{EJ} = 1/3 \frac{b}{EJ}$$

$$L_{AB}^{xo} = \int_0^b (3/2 x/b - x^2/b^2 - 1/2 x^3/b^3) Fb \frac{1}{EJ} dx + 1 \cdot 0 \cdot \frac{1}{4} \frac{Fb^2}{EJ}$$

$$= \left[3/4 x^2/b - 1/3 x^3/b^2 - 1/8 x^4/b^3 \right]_0^b Fb \frac{1}{EJ} + 1 \cdot 0 \cdot \frac{1}{4} \frac{Fb^2}{EJ}$$

$$= (3/4 b - 1/3 b - 1/8 b) Fb \frac{1}{EJ} + 1 \cdot 0 \cdot \frac{1}{4} \frac{Fb^2}{EJ} = 7/24 \frac{Fb^2}{EJ}$$

$$L_{BA}^{xo} = \int_0^b (2x/b - 5/2 x^2/b^2 + 1/2 x^3/b^3) Fb \frac{1}{EJ} dx + 1 \cdot 0 \cdot \frac{1}{4} \frac{Fb^2}{EJ}$$

$$= \left[x^2/b - 5/6 x^3/b^2 + 1/8 x^4/b^3 \right]_0^b Fb \frac{1}{EJ} + 1 \cdot 0 \cdot \frac{1}{4} \frac{Fb^2}{EJ}$$

$$= (b - 5/6 b + 1/8 b) Fb \frac{1}{EJ} + 1 \cdot 0 \cdot \frac{1}{4} \frac{Fb^2}{EJ} = 7/24 \frac{Fb^2}{EJ}$$

$$L_{AD}^{xo} = \int_0^{2b} (1/4 x/b) Fb \frac{1}{EJ} dx = \left[1/8 x^2/b \right]_0^{2b} Fb \frac{1}{EJ}$$

$$= (1/2 b) Fb \frac{1}{EJ} = 1/2 \frac{Fb^2}{EJ}$$

$$L_{DA}^{xo} = \int_0^{2b} (1/2 - 1/4 x/b) Fb \frac{1}{EJ} dx = \left[1/2 x - 1/8 x^2/b \right]_0^{2b} Fb \frac{1}{EJ}$$

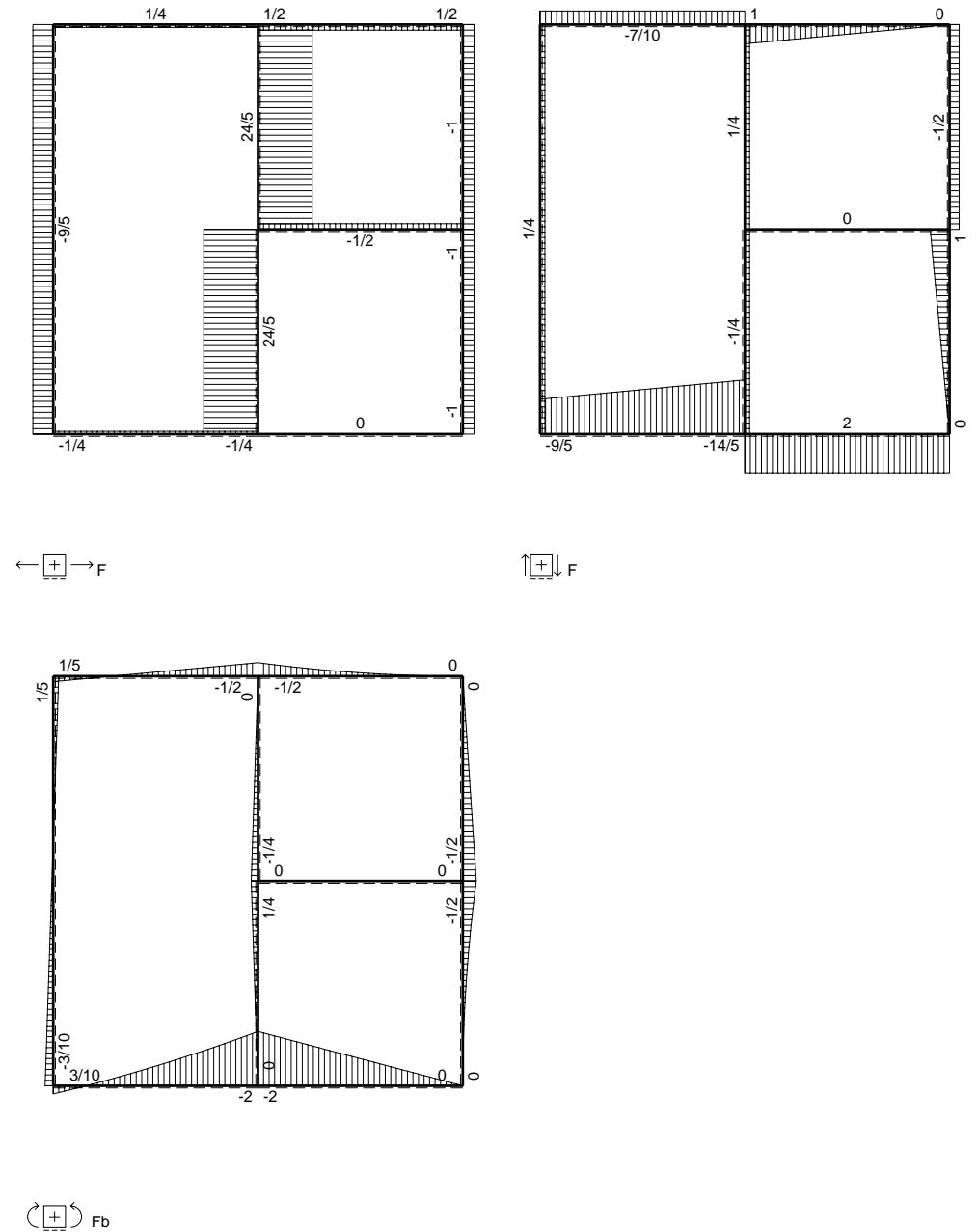
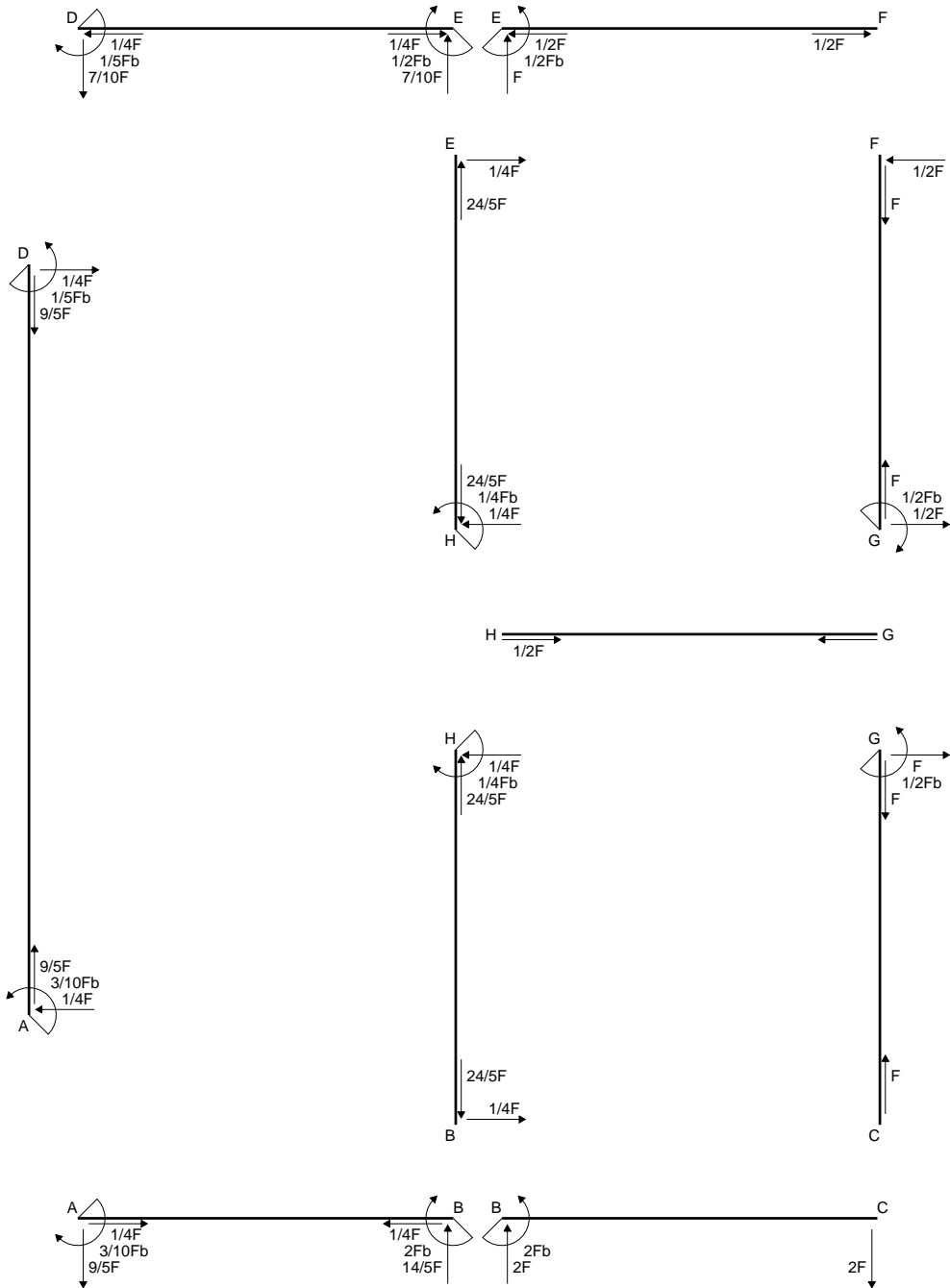
$$= (b - 1/2 b) Fb \frac{1}{EJ} = 1/2 \frac{Fb^2}{EJ}$$

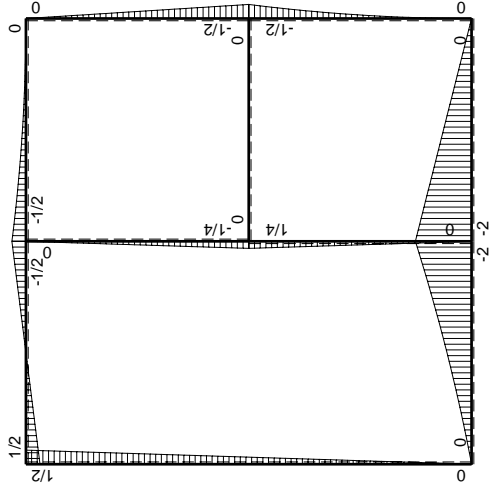
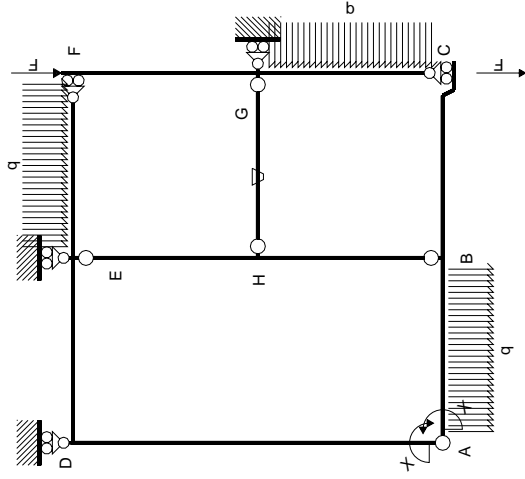
$$L_{DE}^{xo} = \int_0^b (1/2 - 3/2 x/b + x^2/b^2) Fb \frac{1}{EJ} dx = \left[1/2 x - 3/4 x^2/b + 1/3 x^3/b^2 \right]_0^b Fb \frac{1}{EJ}$$

$$= (1/2 b - 3/4 b + 1/3 b) Fb \frac{1}{EJ} = 1/12 \frac{Fb^2}{EJ}$$

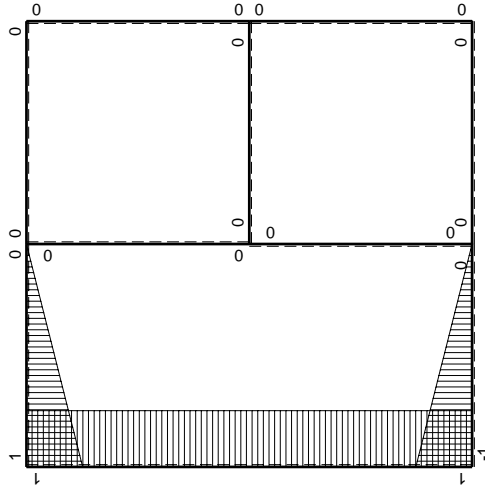
$$L_{ED}^{xo} = \int_0^b (-1/2 x/b + x^2/b^2) Fb \frac{1}{EJ} dx = \left[-1/4 x^2/b + 1/3 x^3/b^2 \right]_0^b Fb \frac{1}{EJ}$$

$$= (-1/4 b + 1/3 b) Fb \frac{1}{EJ} = 1/12 \frac{Fb^2}{EJ}$$





(\oplus) M_0 flessione da carichi assegnati



(\oplus) M_x flessione da iperstatica $X=1$

Quadro contributi PLV per iperstatica $X=W_{AB}$

→	$M_x(x)$	$M_o(x)$	θ	$M_x M_o$	$M_x \theta$	$M_x M_x$	$\int M_x(M_o/EJ+\theta)dx$	$\int X M_x M_x/EJ dx$	
AB b	$-1+x/b$	$-3/2Fx-1/2qx^2$	0	$3/2Fx-Fx^2/b-1/2qx^3/b$	0	$1-2x/b+x^2/b^2$	$(7/24+0)Fb^2/EJ$	$1/3Xb/EJ$	
BA b	x/b	$2Fb-5/2Fx+1/2qx^2$	0	$2Fx-5/2Fx^2/b+1/2qx^3/b$	0	x^2/b^2			
BC b	0	$-2Fb+2Fx$	0	0	0	0	0+0	0	
CB b	0	$2Fx$	0	0	0	0			
AD 2b	1	$1/4Fx$	0	$1/4Fx$	0	1	$(1/2+0)Fb^2/EJ$	$2Xb/EJ$	
DA 2b	-1	$-1/2Fb+1/4Fx$	0	$1/2Fb-1/4Fx$	0	1			
DE b	$1-x/b$	$1/2Fb-Fx$	0	$1/2Fb-3/2Fx+Fx^2/b$	0	$1-2x/b+x^2/b^2$	$(1/12+0)Fb^2/EJ$	$1/3Xb/EJ$	
ED b	$-x/b$	$1/2Fb-Fx$	0	$-1/2Fx+Fx^2/b$	0	x^2/b^2			
EF b	0	$-1/2Fb+Fx-1/2qx^2$	0	0	0	0	0+0	0	
FE b	0	$1/2qx^2$	0	0	0	0			
FG b	0	$-1/2Fx$	0	0	0	0	0+0	0	
GF b	0	$1/2Fb-1/2Fx$	0	0	0	0			
GC b	0	$-1/2Fb+Fx-1/2qx^2$	0	0	0	0	0+0	0	
CG b	0	$1/2qx^2$	0	0	0	0			
HG b	0	0	$-Fb/EJ$	0	0	0	0+0	0	
GH b	0	0	Fb/EJ	0	0	0			
HB b	0	$1/4Fb-1/4Fx$	0	0	0	0	0+0	0	
BH b	0	$-1/4Fx$	0	0	0	0			
HE b	0	$-1/4Fb+1/4Fx$	0	0	0	0	0+0	0	
EH b	0	$1/4Fx$	0	0	0	0			
AB	molla asta $-W_{1AB}(W_{0AB}+XW_{1AB})/k_{AB}$								$1/4Xb/EJ$
	totali							$7/8Fb^2/EJ$	$35/12Xb/EJ$
	iperstatica $X=W_{AB}$							$-3/10Fb$	

Sviluppi di calcolo iperstatica

$$L_{AB}^{xx} = \int_0^b (1 - 2x/b + x^2/b^2) \cdot 1/EJ \, dx + 1 \cdot 1/4 \cdot b/EJ = \left[x - x^2/b + 1/3 x^3/b^2 \right]_0^b \cdot 1/EJ + 1 \cdot 1/4 \cdot b/EJ$$

$$= (b - b + 1/3 b) \cdot 1/EJ + 1 \cdot 1/4 \cdot b/EJ = 7/12 \cdot b/EJ$$

$$L_{BA}^{xx} = \int_0^b (x^2/b^2) \cdot 1/EJ \, dx + 1 \cdot 1/4 \cdot b/EJ = \left[1/3 x^3/b^2 \right]_0^b \cdot 1/EJ + 1 \cdot 1/4 \cdot b/EJ$$

$$= (1/3 b) \cdot 1/EJ + 1 \cdot 1/4 \cdot b/EJ = 7/12 \cdot b/EJ$$

$$L_{AD}^{xx} = \int_0^{2b} (1) \cdot 1/EJ \, dx = \left[x \right]_0^{2b} \cdot 1/EJ$$

$$= (2b) \cdot 1/EJ = 2 \cdot b/EJ$$

$$L_{DA}^{xx} = \int_0^{2b} (1) \cdot 1/EJ \, dx = \left[x \right]_0^{2b} \cdot 1/EJ$$

$$= (2b) \cdot 1/EJ = 2 \cdot b/EJ$$

$$L_{DE}^{xx} = \int_0^b (1 - 2x/b + x^2/b^2) \cdot 1/EJ \, dx = \left[x - x^2/b + 1/3 x^3/b^2 \right]_0^b \cdot 1/EJ$$

$$= (b - b + 1/3 b) \cdot 1/EJ = 1/3 \cdot b/EJ$$

$$L_{ED}^{xx} = \int_0^b (x^2/b^2) \cdot 1/EJ \, dx = \left[1/3 x^3/b^2 \right]_0^b \cdot 1/EJ$$

$$= (1/3 b) \cdot 1/EJ = 1/3 \cdot b/EJ$$

$$L_{AB}^{xo} = \int_0^b (3/2 x/b - x^2/b^2 - 1/2 x^3/b^3) \cdot Fb \cdot 1/EJ \, dx + 1 \cdot 0 \cdot 1/4 \cdot Fb^2/EJ$$

$$= \left[3/4 x^2/b - 1/3 x^3/b^2 - 1/8 x^4/b^3 \right]_0^b \cdot Fb \cdot 1/EJ + 1 \cdot 0 \cdot 1/4 \cdot Fb^2/EJ$$

$$= (3/4 b - 1/3 b - 1/8 b) \cdot Fb \cdot 1/EJ + 1 \cdot 0 \cdot 1/4 \cdot Fb^2/EJ = 7/24 \cdot Fb^2/EJ$$

$$L_{BA}^{xo} = \int_0^b (2x/b - 5/2 x^2/b^2 + 1/2 x^3/b^3) \cdot Fb \cdot 1/EJ \, dx + 1 \cdot 0 \cdot 1/4 \cdot Fb^2/EJ$$

$$= \left[x^2/b - 5/6 x^3/b^2 + 1/8 x^4/b^3 \right]_0^b \cdot Fb \cdot 1/EJ + 1 \cdot 0 \cdot 1/4 \cdot Fb^2/EJ$$

$$= (b - 5/6 b + 1/8 b) \cdot Fb \cdot 1/EJ + 1 \cdot 0 \cdot 1/4 \cdot Fb^2/EJ = 7/24 \cdot Fb^2/EJ$$

$$L_{AD}^{xo} = \int_0^{2b} (1/4 x/b) \cdot Fb \cdot 1/EJ \, dx = \left[1/8 x^2/b \right]_0^{2b} \cdot Fb \cdot 1/EJ$$

$$= (1/2 b) \cdot Fb \cdot 1/EJ = 1/2 \cdot Fb^2/EJ$$

$$L_{DA}^{xo} = \int_0^{2b} (1/2 - 1/4 x/b) \cdot Fb \cdot 1/EJ \, dx = \left[1/2 x - 1/8 x^2/b \right]_0^{2b} \cdot Fb \cdot 1/EJ$$

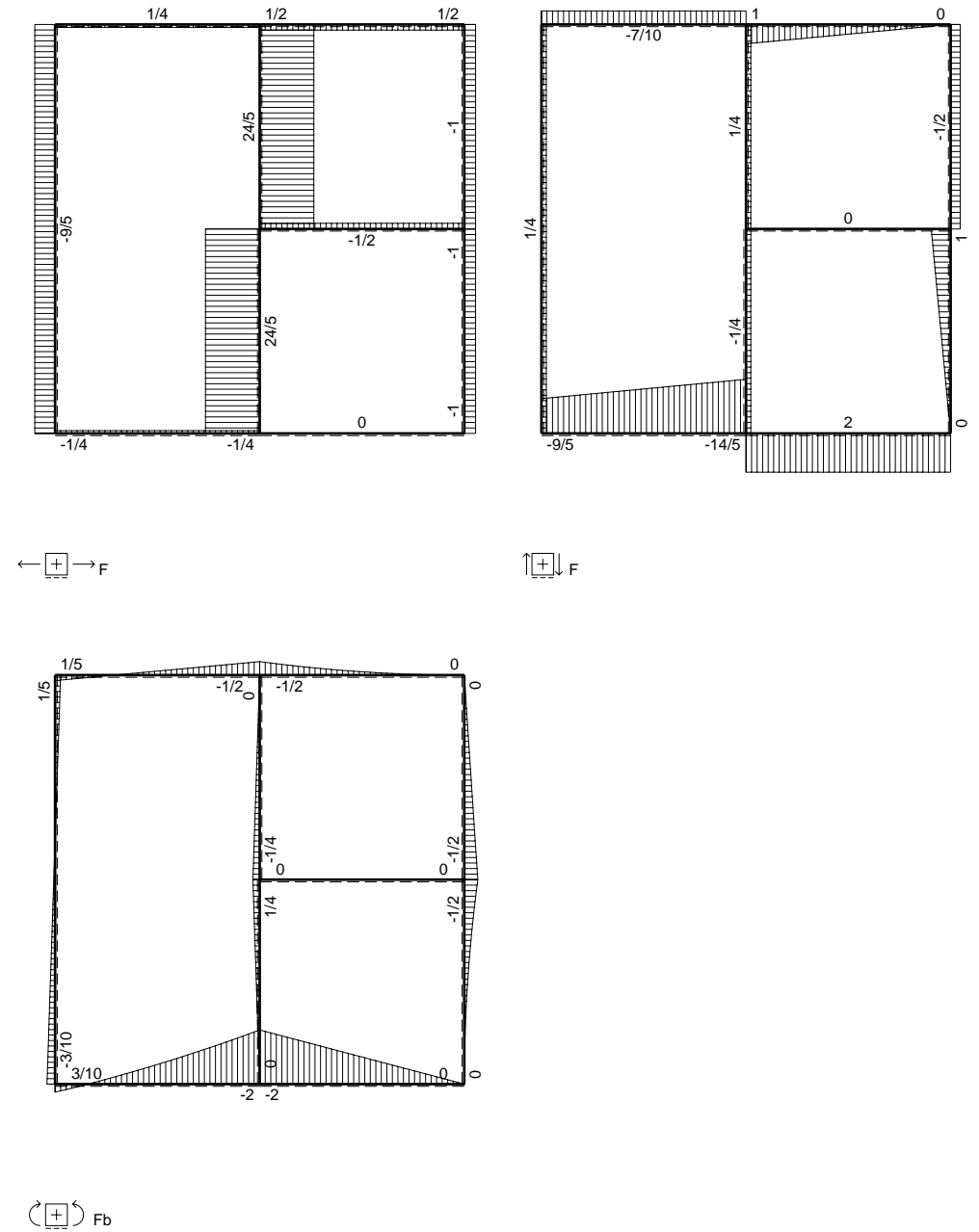
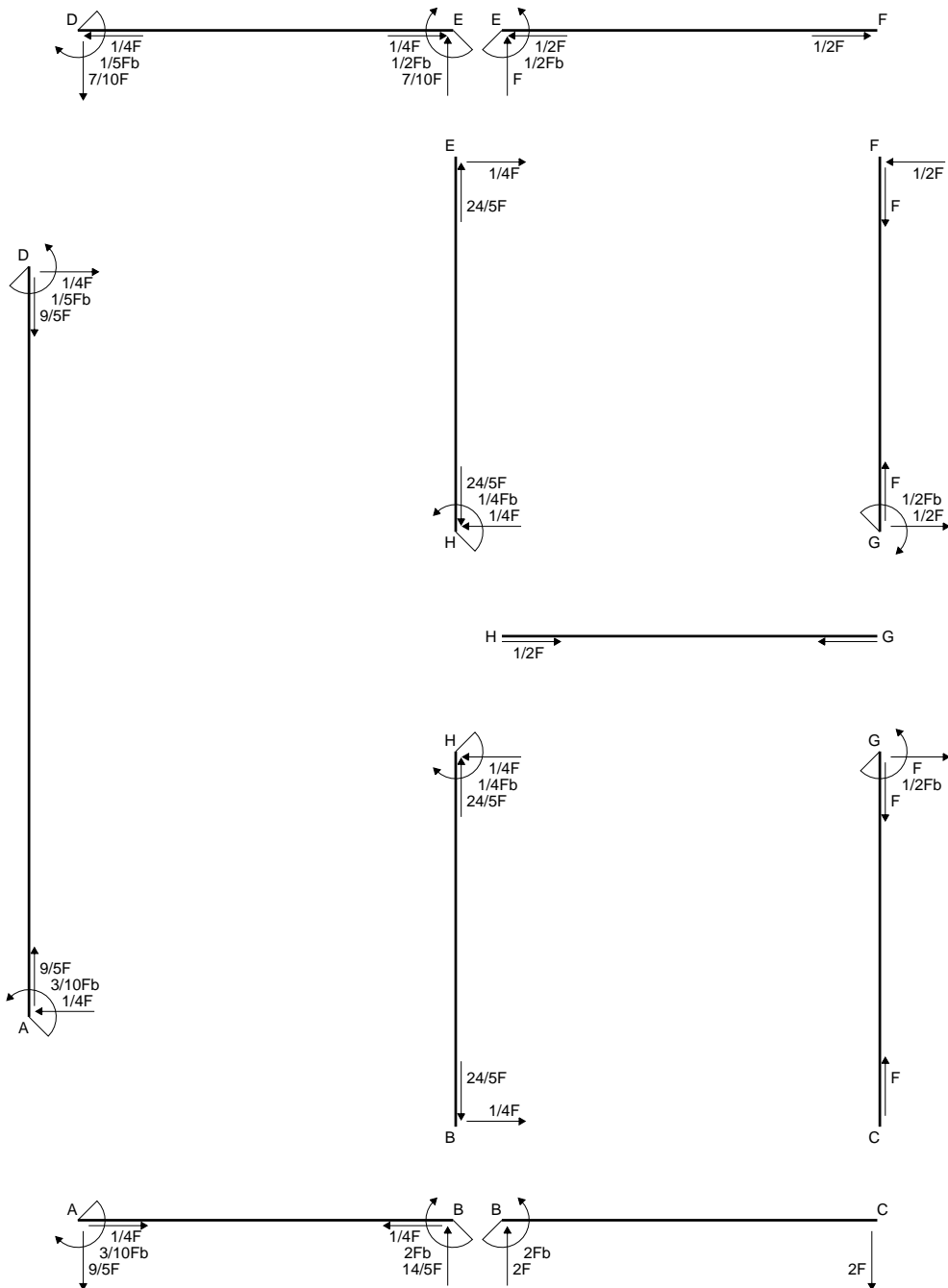
$$= (b - 1/2 b) \cdot Fb \cdot 1/EJ = 1/2 \cdot Fb^2/EJ$$

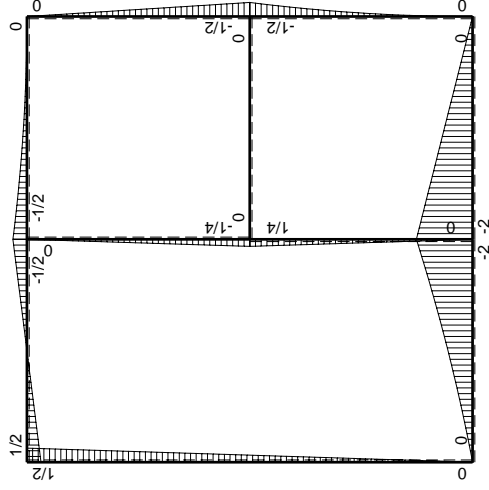
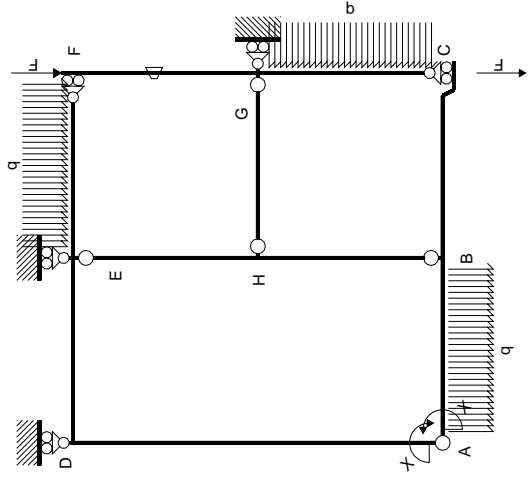
$$L_{DE}^{xo} = \int_0^b (1/2 - 3/2 x/b + x^2/b^2) \cdot Fb \cdot 1/EJ \, dx = \left[1/2 x - 3/4 x^2/b + 1/3 x^3/b^2 \right]_0^b \cdot Fb \cdot 1/EJ$$

$$= (1/2 b - 3/4 b + 1/3 b) \cdot Fb \cdot 1/EJ = 1/12 \cdot Fb^2/EJ$$

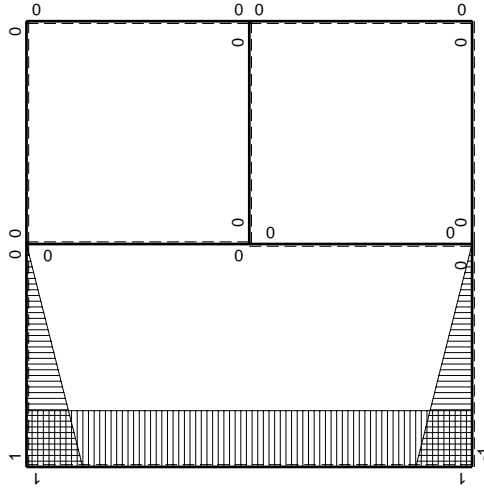
$$L_{ED}^{xo} = \int_0^b (-1/2 x/b + x^2/b^2) \cdot Fb \cdot 1/EJ \, dx = \left[-1/4 x^2/b + 1/3 x^3/b^2 \right]_0^b \cdot Fb \cdot 1/EJ$$

$$= (-1/4 b + 1/3 b) \cdot Fb \cdot 1/EJ = 1/12 \cdot Fb^2/EJ$$





M_0 flessione da carichi assegnati



M_x flessione da iperstatica X=1

Quadro contributi PLV per iperstatica $X=W_{AB}$

→	$M_x(x)$	$M_o(x)$	θ	$M_x M_o$	$M_x \theta$	$M_x M_x$	$\int M_x(M_o/EJ+\theta)dx$	$\int X M_x M_x/EJ dx$	
AB b	$-1+x/b$	$-3/2Fx-1/2qx^2$	0	$3/2Fx-Fx^2/b-1/2qx^3/b$	0	$1-2x/b+x^2/b^2$	$(7/24+0)Fb^2/EJ$	$1/3Xb/EJ$	
BA b	x/b	$2Fb-5/2Fx+1/2qx^2$	0	$2Fx-5/2Fx^2/b+1/2qx^3/b$	0	x^2/b^2			
BC b	0	$-2Fb+2Fx$	0	0	0	0	0+0	0	
CB b	0	$2Fx$	0	0	0	0			
AD 2b	1	$1/4Fx$	0	$1/4Fx$	0	1	$(1/2+0)Fb^2/EJ$	$2Xb/EJ$	
DA 2b	-1	$-1/2Fb+1/4Fx$	0	$1/2Fb-1/4Fx$	0	1			
DE b	$1-x/b$	$1/2Fb-Fx$	0	$1/2Fb-3/2Fx+Fx^2/b$	0	$1-2x/b+x^2/b^2$	$(1/12+0)Fb^2/EJ$	$1/3Xb/EJ$	
ED b	$-x/b$	$1/2Fb-Fx$	0	$-1/2Fx+Fx^2/b$	0	x^2/b^2			
EF b	0	$-1/2Fb+Fx-1/2qx^2$	0	0	0	0	0+0	0	
FE b	0	$1/2qx^2$	0	0	0	0			
FG b	0	$-1/2Fx$	$-Fb/EJ$	0	0	0	0+0	0	
GF b	0	$1/2Fb-1/2Fx$	Fb/EJ	0	0	0			
GC b	0	$-1/2Fb+Fx-1/2qx^2$	0	0	0	0	0+0	0	
CG b	0	$1/2qx^2$	0	0	0	0			
HG b	0	0	0	0	0	0	0+0	0	
GH b	0	0	0	0	0	0			
HB b	0	$1/4Fb-1/4Fx$	0	0	0	0	0+0	0	
BH b	0	$-1/4Fx$	0	0	0	0			
HE b	0	$-1/4Fb+1/4Fx$	0	0	0	0	0+0	0	
EH b	0	$1/4Fx$	0	0	0	0			
AB	molla asta $-W_{1AB}(W_{0AB}+XW_{1AB})/k_{AB}$								$1/4Xb/EJ$
	totali							$7/8Fb^2/EJ$	$35/12Xb/EJ$
	iperstatica $X=W_{AB}$							$-3/10Fb$	

Sviluppi di calcolo iperstatica

$$L_{AB}^{xx} = \int_0^b (1 - 2x/b + x^2/b^2) \cdot 1/EJ \, dx + 1 \cdot 1/4 \cdot b/EJ = \left[x - x^2/b + 1/3 x^3/b^2 \right]_0^b \cdot 1/EJ + 1 \cdot 1/4 \cdot b/EJ$$

$$= (b - b + 1/3 b) \cdot 1/EJ + 1 \cdot 1/4 \cdot b/EJ = 7/12 \cdot b/EJ$$

$$L_{BA}^{xx} = \int_0^b (x^2/b^2) \cdot 1/EJ \, dx + 1 \cdot 1/4 \cdot b/EJ = \left[1/3 x^3/b^2 \right]_0^b \cdot 1/EJ + 1 \cdot 1/4 \cdot b/EJ$$

$$= (1/3 b) \cdot 1/EJ + 1 \cdot 1/4 \cdot b/EJ = 7/12 \cdot b/EJ$$

$$L_{AD}^{xx} = \int_0^{2b} (1) \cdot 1/EJ \, dx = \left[x \right]_0^{2b} \cdot 1/EJ$$

$$= (2b) \cdot 1/EJ = 2 \cdot b/EJ$$

$$L_{DA}^{xx} = \int_0^{2b} (1) \cdot 1/EJ \, dx = \left[x \right]_0^{2b} \cdot 1/EJ$$

$$= (2b) \cdot 1/EJ = 2 \cdot b/EJ$$

$$L_{DE}^{xx} = \int_0^b (1 - 2x/b + x^2/b^2) \cdot 1/EJ \, dx = \left[x - x^2/b + 1/3 x^3/b^2 \right]_0^b \cdot 1/EJ$$

$$= (b - b + 1/3 b) \cdot 1/EJ = 1/3 \cdot b/EJ$$

$$L_{ED}^{xx} = \int_0^b (x^2/b^2) \cdot 1/EJ \, dx = \left[1/3 x^3/b^2 \right]_0^b \cdot 1/EJ$$

$$= (1/3 b) \cdot 1/EJ = 1/3 \cdot b/EJ$$

$$L_{AB}^{xo} = \int_0^b (3/2 x/b - x^2/b^2 - 1/2 x^3/b^3) \cdot Fb \cdot 1/EJ \, dx + 1 \cdot 0 \cdot 1/4 \cdot Fb^2/EJ$$

$$= \left[3/4 x^2/b - 1/3 x^3/b^2 - 1/8 x^4/b^3 \right]_0^b \cdot Fb \cdot 1/EJ + 1 \cdot 0 \cdot 1/4 \cdot Fb^2/EJ$$

$$= (3/4 b - 1/3 b - 1/8 b) \cdot Fb \cdot 1/EJ + 1 \cdot 0 \cdot 1/4 \cdot Fb^2/EJ = 7/24 \cdot Fb^2/EJ$$

$$L_{BA}^{xo} = \int_0^b (2x/b - 5/2 x^2/b^2 + 1/2 x^3/b^3) \cdot Fb \cdot 1/EJ \, dx + 1 \cdot 0 \cdot 1/4 \cdot Fb^2/EJ$$

$$= \left[x^2/b - 5/6 x^3/b^2 + 1/8 x^4/b^3 \right]_0^b \cdot Fb \cdot 1/EJ + 1 \cdot 0 \cdot 1/4 \cdot Fb^2/EJ$$

$$= (b - 5/6 b + 1/8 b) \cdot Fb \cdot 1/EJ + 1 \cdot 0 \cdot 1/4 \cdot Fb^2/EJ = 7/24 \cdot Fb^2/EJ$$

$$L_{AD}^{xo} = \int_0^{2b} (1/4 x/b) \cdot Fb \cdot 1/EJ \, dx = \left[1/8 x^2/b \right]_0^{2b} \cdot Fb \cdot 1/EJ$$

$$= (1/2 b) \cdot Fb \cdot 1/EJ = 1/2 \cdot Fb^2/EJ$$

$$L_{DA}^{xo} = \int_0^{2b} (1/2 - 1/4 x/b) \cdot Fb \cdot 1/EJ \, dx = \left[1/2 x - 1/8 x^2/b \right]_0^{2b} \cdot Fb \cdot 1/EJ$$

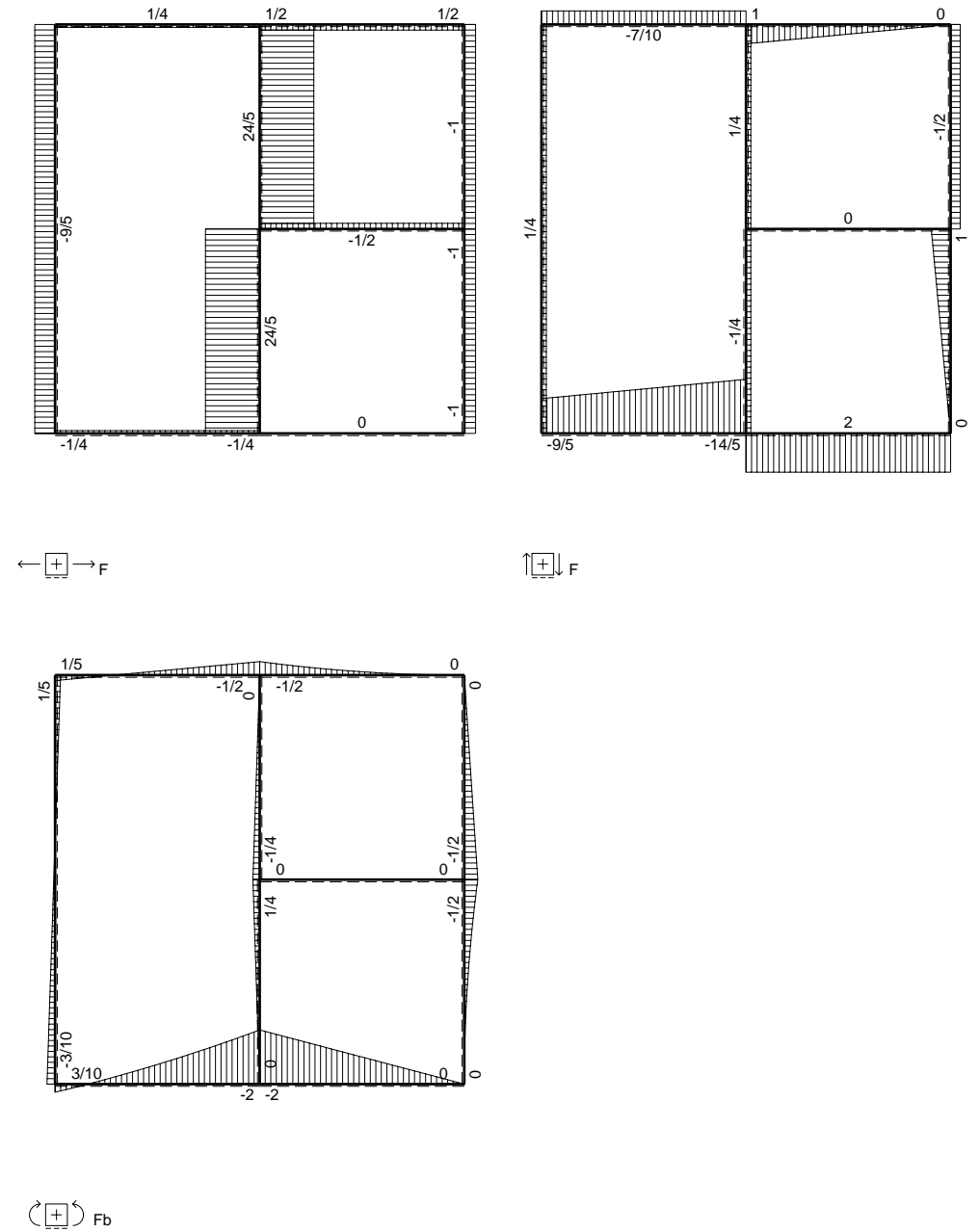
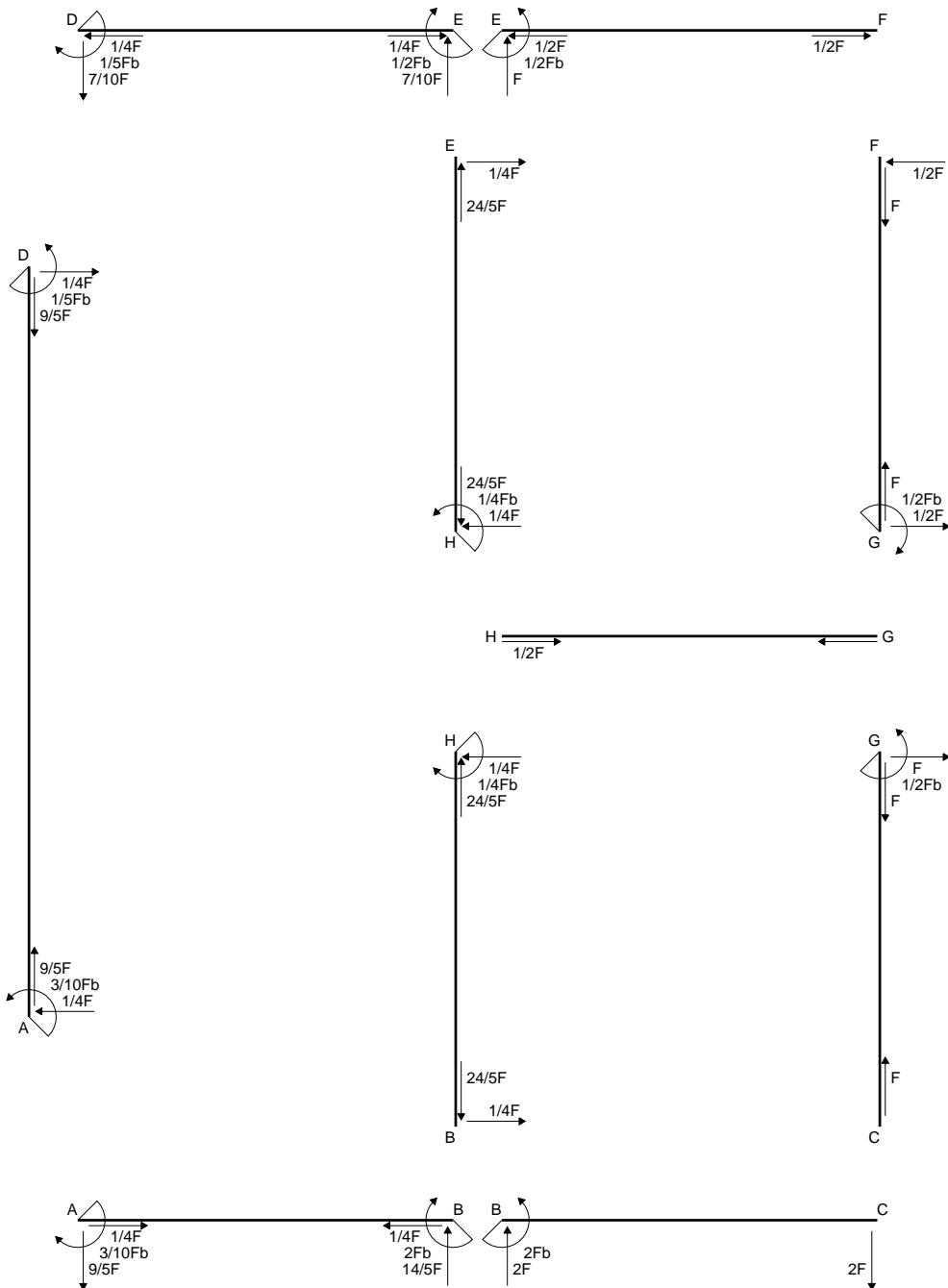
$$= (b - 1/2 b) \cdot Fb \cdot 1/EJ = 1/2 \cdot Fb^2/EJ$$

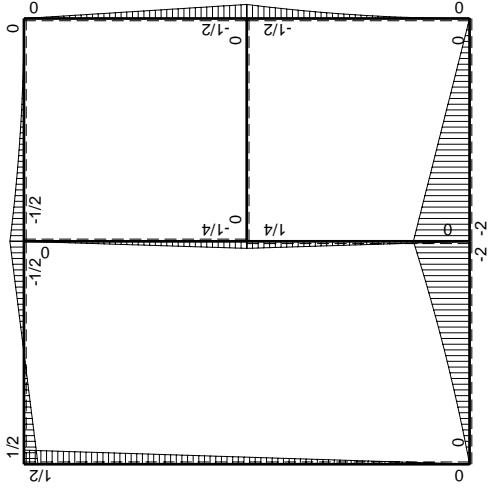
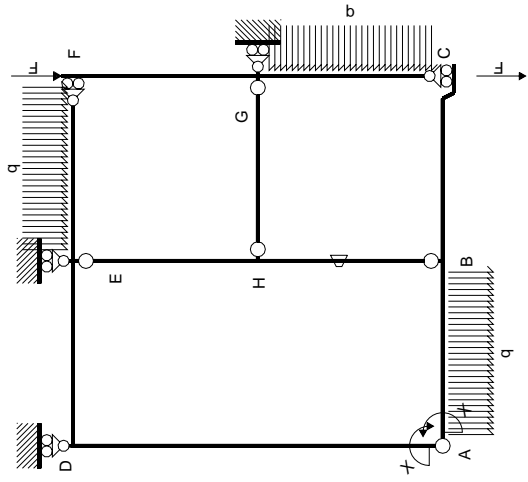
$$L_{DE}^{xo} = \int_0^b (1/2 - 3/2 x/b + x^2/b^2) \cdot Fb \cdot 1/EJ \, dx = \left[1/2 x - 3/4 x^2/b + 1/3 x^3/b^2 \right]_0^b \cdot Fb \cdot 1/EJ$$

$$= (1/2 b - 3/4 b + 1/3 b) \cdot Fb \cdot 1/EJ = 1/12 \cdot Fb^2/EJ$$

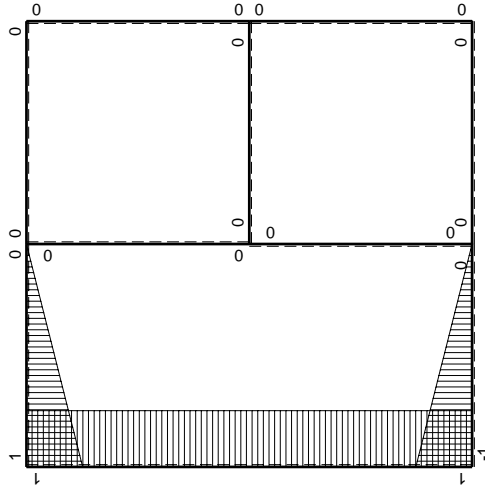
$$L_{ED}^{xo} = \int_0^b (-1/2 x/b + x^2/b^2) \cdot Fb \cdot 1/EJ \, dx = \left[-1/4 x^2/b + 1/3 x^3/b^2 \right]_0^b \cdot Fb \cdot 1/EJ$$

$$= (-1/4 b + 1/3 b) \cdot Fb \cdot 1/EJ = 1/12 \cdot Fb^2/EJ$$





M_0 flessione da carichi assegnati



M_x flessione da iperstatica $X=1$

Quadro contributi PLV per iperstatica $X=W_{AB}$

→	$M_x(x)$	$M_o(x)$	θ	$M_x M_o$	$M_x \theta$	$M_x M_x$	$\int M_x(M_o/EJ+\theta)dx$	$\int X M_x M_x/EJ dx$	
AB b	$-1+x/b$	$-3/2Fx-1/2qx^2$	0	$3/2Fx-Fx^2/b-1/2qx^3/b$	0	$1-2x/b+x^2/b^2$	$(7/24+0)Fb^2/EJ$	$1/3Xb/EJ$	
BA b	x/b	$2Fb-5/2Fx+1/2qx^2$	0	$2Fx-5/2Fx^2/b+1/2qx^3/b$	0	x^2/b^2			
BC b	0	$-2Fb+2Fx$	0	0	0	0	0+0	0	
CB b	0	$2Fx$	0	0	0	0			
AD 2b	1	$1/4Fx$	0	$1/4Fx$	0	1	$(1/2+0)Fb^2/EJ$	$2Xb/EJ$	
DA 2b	-1	$-1/2Fb+1/4Fx$	0	$1/2Fb-1/4Fx$	0	1			
DE b	$1-x/b$	$1/2Fb-Fx$	0	$1/2Fb-3/2Fx+Fx^2/b$	0	$1-2x/b+x^2/b^2$	$(1/12+0)Fb^2/EJ$	$1/3Xb/EJ$	
ED b	$-x/b$	$1/2Fb-Fx$	0	$-1/2Fx+Fx^2/b$	0	x^2/b^2			
EF b	0	$-1/2Fb+Fx-1/2qx^2$	0	0	0	0	0+0	0	
FE b	0	$1/2qx^2$	0	0	0	0			
FG b	0	$-1/2Fx$	0	0	0	0	0+0	0	
GF b	0	$1/2Fb-1/2Fx$	0	0	0	0			
GC b	0	$-1/2Fb+Fx-1/2qx^2$	0	0	0	0	0+0	0	
CG b	0	$1/2qx^2$	0	0	0	0			
HG b	0	0	0	0	0	0	0+0	0	
GH b	0	0	0	0	0	0			
HB b	0	$1/4Fb-1/4Fx$	$-Fb/EJ$	0	0	0	0+0	0	
BH b	0	$-1/4Fx$	Fb/EJ	0	0	0			
HE b	0	$-1/4Fb+1/4Fx$	0	0	0	0	0+0	0	
EH b	0	$1/4Fx$	0	0	0	0			
AB	molla asta $-W_{1AB}(W_{0AB}+XW_{1AB})/k_{AB}$								$1/4Xb/EJ$
	totali							$7/8Fb^2/EJ$	$35/12Xb/EJ$
	iperstatica $X=W_{AB}$							$-3/10Fb$	

Sviluppi di calcolo iperstatica

$$L_{AB}^{xx} = \int_0^b (1 - 2x/b + x^2/b^2) \cdot 1/EJ \, dx + 1 \cdot 1/4 \cdot b/EJ = \left[x - x^2/b + 1/3 x^3/b^2 \right]_0^b \cdot 1/EJ + 1 \cdot 1/4 \cdot b/EJ$$

$$= (b - b + 1/3 b) \cdot 1/EJ + 1 \cdot 1/4 \cdot b/EJ = 7/12 \cdot b/EJ$$

$$L_{BA}^{xx} = \int_0^b (x^2/b^2) \cdot 1/EJ \, dx + 1 \cdot 1/4 \cdot b/EJ = \left[1/3 x^3/b^2 \right]_0^b \cdot 1/EJ + 1 \cdot 1/4 \cdot b/EJ$$

$$= (1/3 b) \cdot 1/EJ + 1 \cdot 1/4 \cdot b/EJ = 7/12 \cdot b/EJ$$

$$L_{AD}^{xx} = \int_0^{2b} (1) \cdot 1/EJ \, dx = \left[x \right]_0^{2b} \cdot 1/EJ$$

$$= (2b) \cdot 1/EJ = 2 \cdot b/EJ$$

$$L_{DA}^{xx} = \int_0^{2b} (1) \cdot 1/EJ \, dx = \left[x \right]_0^{2b} \cdot 1/EJ$$

$$= (2b) \cdot 1/EJ = 2 \cdot b/EJ$$

$$L_{DE}^{xx} = \int_0^b (1 - 2x/b + x^2/b^2) \cdot 1/EJ \, dx = \left[x - x^2/b + 1/3 x^3/b^2 \right]_0^b \cdot 1/EJ$$

$$= (b - b + 1/3 b) \cdot 1/EJ = 1/3 \cdot b/EJ$$

$$L_{ED}^{xx} = \int_0^b (x^2/b^2) \cdot 1/EJ \, dx = \left[1/3 x^3/b^2 \right]_0^b \cdot 1/EJ$$

$$= (1/3 b) \cdot 1/EJ = 1/3 \cdot b/EJ$$

$$L_{AB}^{xo} = \int_0^b (3/2 x/b - x^2/b^2 - 1/2 x^3/b^3) \cdot Fb \cdot 1/EJ \, dx + 1 \cdot 0 \cdot 1/4 \cdot Fb^2/EJ$$

$$= \left[3/4 x^2/b - 1/3 x^3/b^2 - 1/8 x^4/b^3 \right]_0^b \cdot Fb \cdot 1/EJ + 1 \cdot 0 \cdot 1/4 \cdot Fb^2/EJ$$

$$= (3/4 b - 1/3 b - 1/8 b) \cdot Fb \cdot 1/EJ + 1 \cdot 0 \cdot 1/4 \cdot Fb^2/EJ = 7/24 \cdot Fb^2/EJ$$

$$L_{BA}^{xo} = \int_0^b (2x/b - 5/2 x^2/b^2 + 1/2 x^3/b^3) \cdot Fb \cdot 1/EJ \, dx + 1 \cdot 0 \cdot 1/4 \cdot Fb^2/EJ$$

$$= \left[x^2/b - 5/6 x^3/b^2 + 1/8 x^4/b^3 \right]_0^b \cdot Fb \cdot 1/EJ + 1 \cdot 0 \cdot 1/4 \cdot Fb^2/EJ$$

$$= (b - 5/6 b + 1/8 b) \cdot Fb \cdot 1/EJ + 1 \cdot 0 \cdot 1/4 \cdot Fb^2/EJ = 7/24 \cdot Fb^2/EJ$$

$$L_{AD}^{xo} = \int_0^{2b} (1/4 x/b) \cdot Fb \cdot 1/EJ \, dx = \left[1/8 x^2/b \right]_0^{2b} \cdot Fb \cdot 1/EJ$$

$$= (1/2 b) \cdot Fb \cdot 1/EJ = 1/2 \cdot Fb^2/EJ$$

$$L_{DA}^{xo} = \int_0^{2b} (1/2 - 1/4 x/b) \cdot Fb \cdot 1/EJ \, dx = \left[1/2 x - 1/8 x^2/b \right]_0^{2b} \cdot Fb \cdot 1/EJ$$

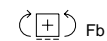
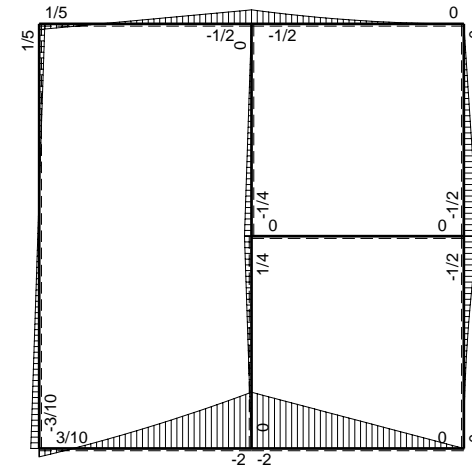
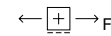
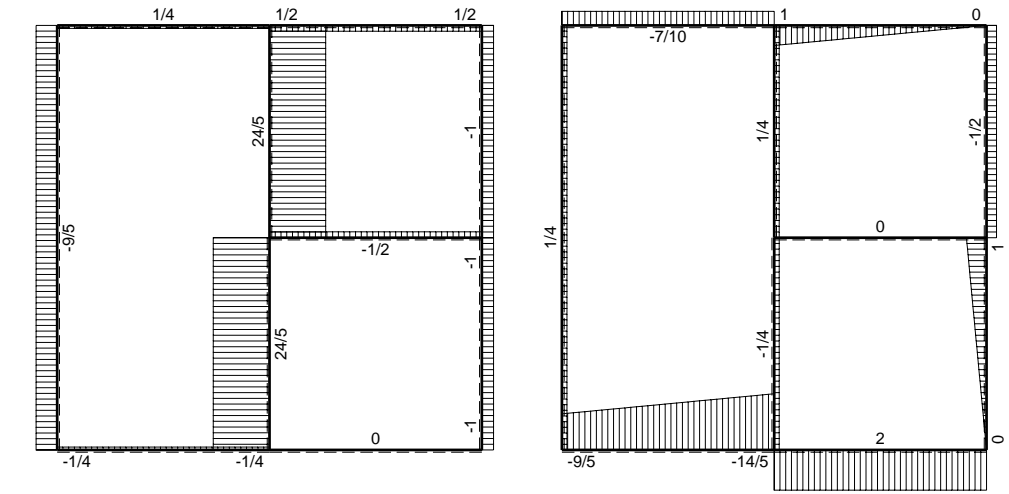
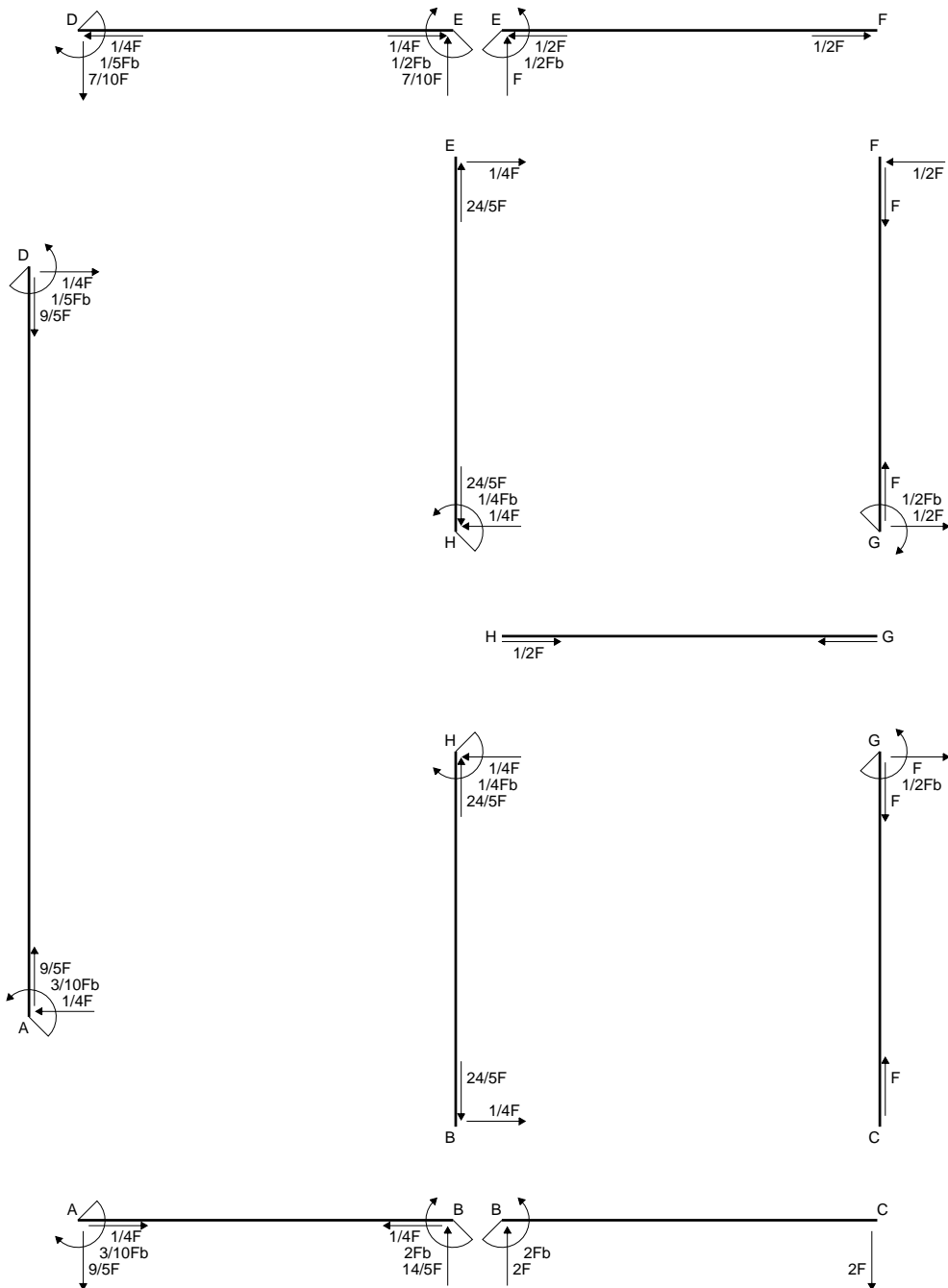
$$= (b - 1/2 b) \cdot Fb \cdot 1/EJ = 1/2 \cdot Fb^2/EJ$$

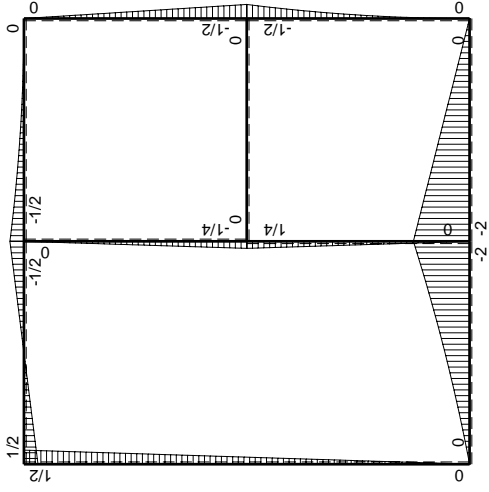
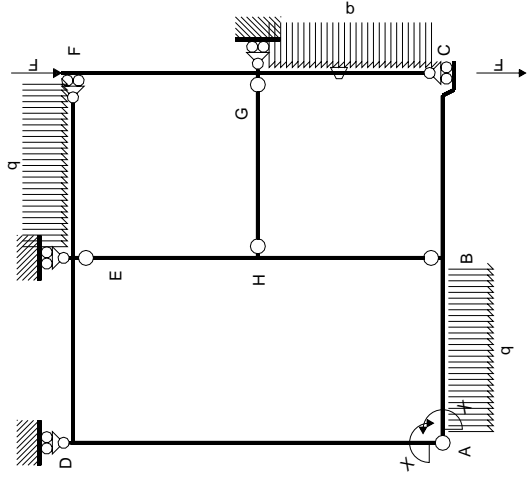
$$L_{DE}^{xo} = \int_0^b (1/2 - 3/2 x/b + x^2/b^2) \cdot Fb \cdot 1/EJ \, dx = \left[1/2 x - 3/4 x^2/b + 1/3 x^3/b^2 \right]_0^b \cdot Fb \cdot 1/EJ$$

$$= (1/2 b - 3/4 b + 1/3 b) \cdot Fb \cdot 1/EJ = 1/12 \cdot Fb^2/EJ$$

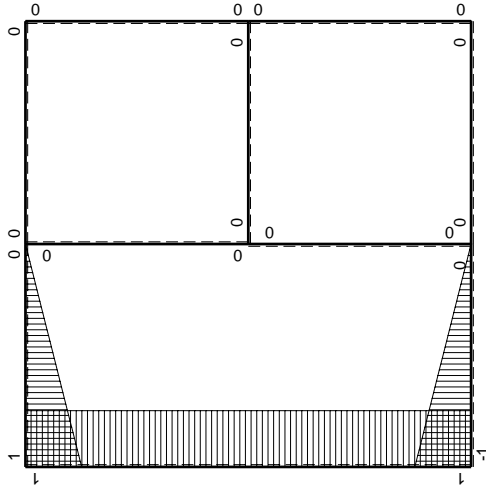
$$L_{ED}^{xo} = \int_0^b (-1/2 x/b + x^2/b^2) \cdot Fb \cdot 1/EJ \, dx = \left[-1/4 x^2/b + 1/3 x^3/b^2 \right]_0^b \cdot Fb \cdot 1/EJ$$

$$= (-1/4 b + 1/3 b) \cdot Fb \cdot 1/EJ = 1/12 \cdot Fb^2/EJ$$





M_0 flessione da carichi assegnati



M_x flessione da iperstatica X=1

Quadro contributi PLV per iperstatica $X=W_{AB}$

→	$M_x(x)$	$M_o(x)$	θ	$M_x M_o$	$M_x \theta$	$M_x M_x$	$\int M_x(M_o/EJ+\theta)dx$	$\int X M_x M_x/EJ dx$	
AB b	$-1+x/b$	$-3/2Fx-1/2qx^2$	0	$3/2Fx-Fx^2/b-1/2qx^3/b$	0	$1-2x/b+x^2/b^2$	$(7/24+0)Fb^2/EJ$	$1/3Xb/EJ$	
BA b	x/b	$2Fb-5/2Fx+1/2qx^2$	0	$2Fx-5/2Fx^2/b+1/2qx^3/b$	0	x^2/b^2			
BC b	0	$-2Fb+2Fx$	0	0	0	0	0+0	0	
CB b	0	$2Fx$	0	0	0	0			
AD 2b	1	$1/4Fx$	0	$1/4Fx$	0	1	$(1/2+0)Fb^2/EJ$	$2Xb/EJ$	
DA 2b	-1	$-1/2Fb+1/4Fx$	0	$1/2Fb-1/4Fx$	0	1			
DE b	$1-x/b$	$1/2Fb-Fx$	0	$1/2Fb-3/2Fx+Fx^2/b$	0	$1-2x/b+x^2/b^2$	$(1/12+0)Fb^2/EJ$	$1/3Xb/EJ$	
ED b	$-x/b$	$1/2Fb-Fx$	0	$-1/2Fx+Fx^2/b$	0	x^2/b^2			
EF b	0	$-1/2Fb+Fx-1/2qx^2$	0	0	0	0	0+0	0	
FE b	0	$1/2qx^2$	0	0	0	0			
FG b	0	$-1/2Fx$	0	0	0	0	0+0	0	
GF b	0	$1/2Fb-1/2Fx$	0	0	0	0			
GC b	0	$-1/2Fb+Fx-1/2qx^2$	$-Fb/EJ$	0	0	0	0+0	0	
CG b	0	$1/2qx^2$	Fb/EJ	0	0	0			
HG b	0	0	0	0	0	0	0+0	0	
GH b	0	0	0	0	0	0			
HB b	0	$1/4Fb-1/4Fx$	0	0	0	0	0+0	0	
BH b	0	$-1/4Fx$	0	0	0	0			
HE b	0	$-1/4Fb+1/4Fx$	0	0	0	0	0+0	0	
EH b	0	$1/4Fx$	0	0	0	0			
AB	molla asta $-W_{1AB}(W_{0AB}+XW_{1AB})/k_{AB}$								$1/4Xb/EJ$
	totali							$7/8Fb^2/EJ$	$35/12Xb/EJ$
	iperstatica $X=W_{AB}$							$-3/10Fb$	

Sviluppi di calcolo iperstatica

$$L_{AB}^{xx} = \int_0^b (1 - 2x/b + x^2/b^2) \cdot 1/EJ \, dx + 1 \cdot 1/4 \cdot b/EJ = \left[x - x^2/b + 1/3 x^3/b^2 \right]_0^b \cdot 1/EJ + 1 \cdot 1/4 \cdot b/EJ$$

$$= (b - b + 1/3 b) \cdot 1/EJ + 1 \cdot 1/4 \cdot b/EJ = 7/12 \cdot b/EJ$$

$$L_{BA}^{xx} = \int_0^b (x^2/b^2) \cdot 1/EJ \, dx + 1 \cdot 1/4 \cdot b/EJ = \left[1/3 x^3/b^2 \right]_0^b \cdot 1/EJ + 1 \cdot 1/4 \cdot b/EJ$$

$$= (1/3 b) \cdot 1/EJ + 1 \cdot 1/4 \cdot b/EJ = 7/12 \cdot b/EJ$$

$$L_{AD}^{xx} = \int_0^{2b} (1) \cdot 1/EJ \, dx = \left[x \right]_0^{2b} \cdot 1/EJ$$

$$= (2b) \cdot 1/EJ = 2 \cdot b/EJ$$

$$L_{DA}^{xx} = \int_0^{2b} (1) \cdot 1/EJ \, dx = \left[x \right]_0^{2b} \cdot 1/EJ$$

$$= (2b) \cdot 1/EJ = 2 \cdot b/EJ$$

$$L_{DE}^{xx} = \int_0^b (1 - 2x/b + x^2/b^2) \cdot 1/EJ \, dx = \left[x - x^2/b + 1/3 x^3/b^2 \right]_0^b \cdot 1/EJ$$

$$= (b - b + 1/3 b) \cdot 1/EJ = 1/3 \cdot b/EJ$$

$$L_{ED}^{xx} = \int_0^b (x^2/b^2) \cdot 1/EJ \, dx = \left[1/3 x^3/b^2 \right]_0^b \cdot 1/EJ$$

$$= (1/3 b) \cdot 1/EJ = 1/3 \cdot b/EJ$$

$$L_{AB}^{xo} = \int_0^b (3/2 x/b - x^2/b^2 - 1/2 x^3/b^3) \cdot Fb \cdot 1/EJ \, dx + 1 \cdot 0 \cdot 1/4 \cdot Fb^2/EJ$$

$$= \left[3/4 x^2/b - 1/3 x^3/b^2 - 1/8 x^4/b^3 \right]_0^b \cdot Fb \cdot 1/EJ + 1 \cdot 0 \cdot 1/4 \cdot Fb^2/EJ$$

$$= (3/4 b - 1/3 b - 1/8 b) \cdot Fb \cdot 1/EJ + 1 \cdot 0 \cdot 1/4 \cdot Fb^2/EJ = 7/24 \cdot Fb^2/EJ$$

$$L_{BA}^{xo} = \int_0^b (2x/b - 5/2 x^2/b^2 + 1/2 x^3/b^3) \cdot Fb \cdot 1/EJ \, dx + 1 \cdot 0 \cdot 1/4 \cdot Fb^2/EJ$$

$$= \left[x^2/b - 5/6 x^3/b^2 + 1/8 x^4/b^3 \right]_0^b \cdot Fb \cdot 1/EJ + 1 \cdot 0 \cdot 1/4 \cdot Fb^2/EJ$$

$$= (b - 5/6 b + 1/8 b) \cdot Fb \cdot 1/EJ + 1 \cdot 0 \cdot 1/4 \cdot Fb^2/EJ = 7/24 \cdot Fb^2/EJ$$

$$L_{AD}^{xo} = \int_0^{2b} (1/4 x/b) \cdot Fb \cdot 1/EJ \, dx = \left[1/8 x^2/b \right]_0^{2b} \cdot Fb \cdot 1/EJ$$

$$= (1/2 b) \cdot Fb \cdot 1/EJ = 1/2 \cdot Fb^2/EJ$$

$$L_{DA}^{xo} = \int_0^{2b} (1/2 - 1/4 x/b) \cdot Fb \cdot 1/EJ \, dx = \left[1/2 x - 1/8 x^2/b \right]_0^{2b} \cdot Fb \cdot 1/EJ$$

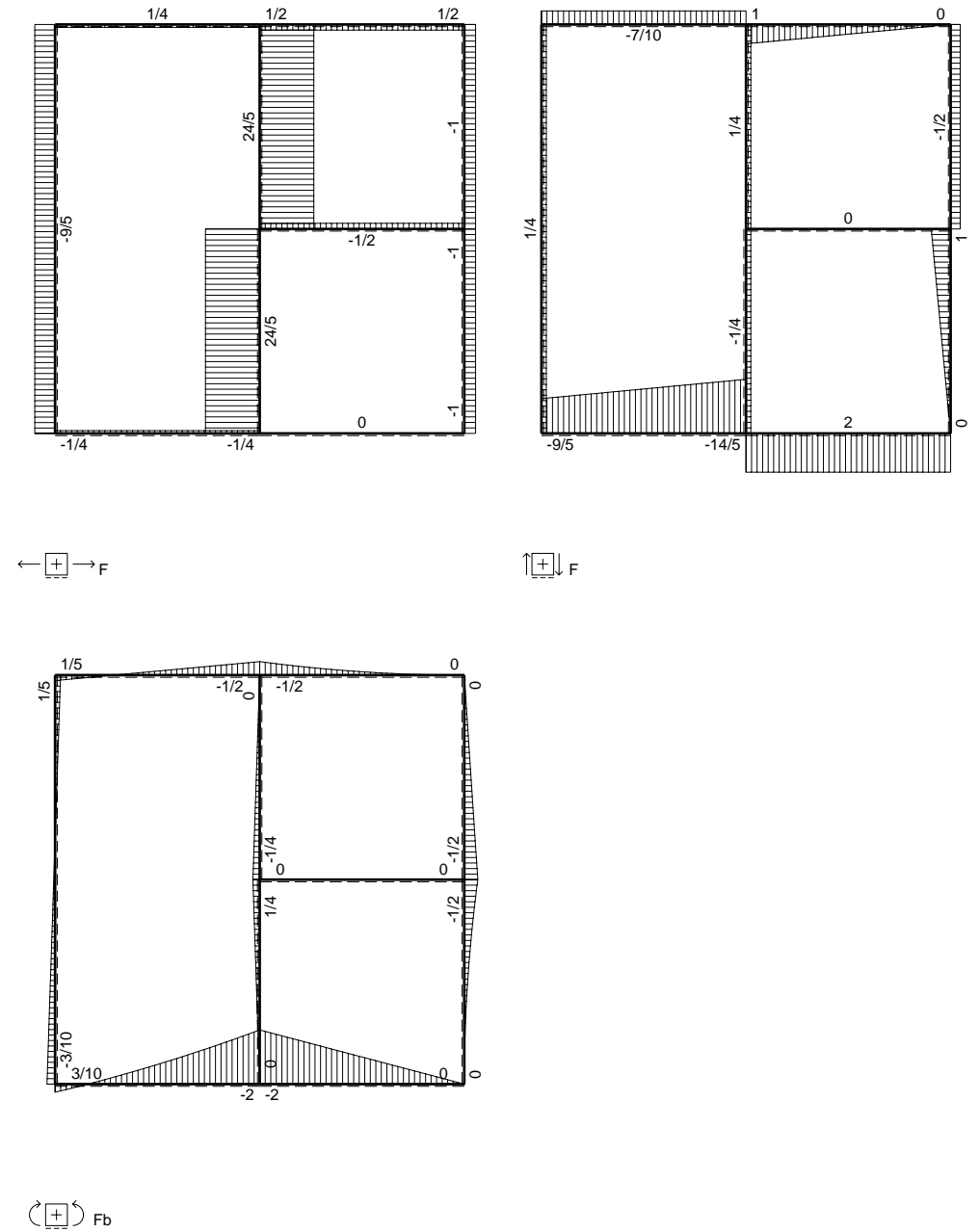
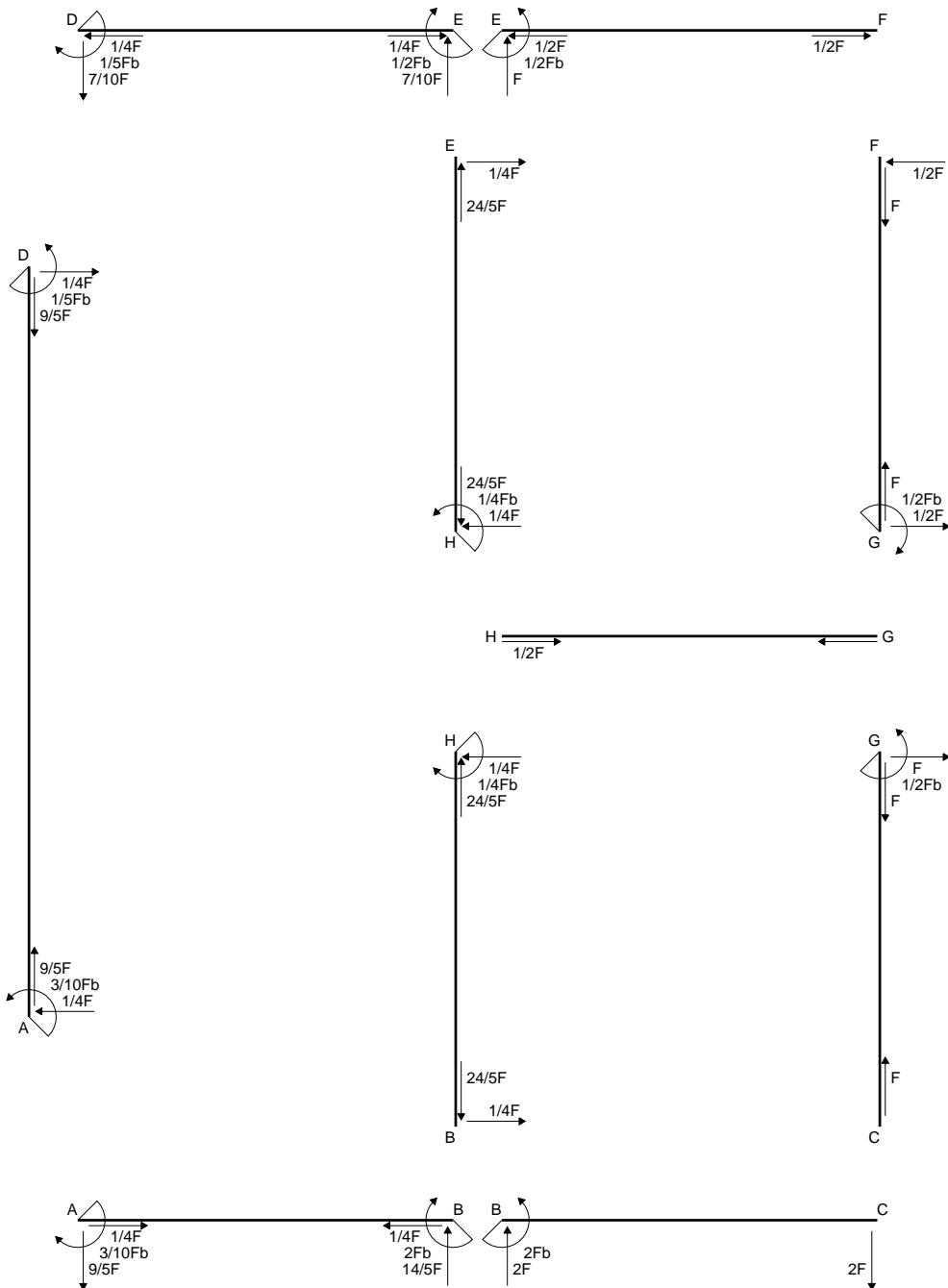
$$= (b - 1/2 b) \cdot Fb \cdot 1/EJ = 1/2 \cdot Fb^2/EJ$$

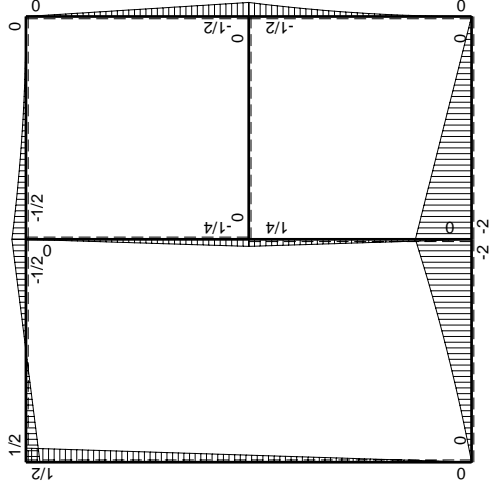
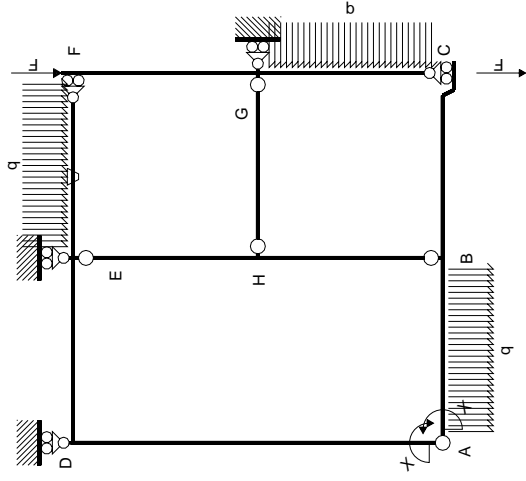
$$L_{DE}^{xo} = \int_0^b (1/2 - 3/2 x/b + x^2/b^2) \cdot Fb \cdot 1/EJ \, dx = \left[1/2 x - 3/4 x^2/b + 1/3 x^3/b^2 \right]_0^b \cdot Fb \cdot 1/EJ$$

$$= (1/2 b - 3/4 b + 1/3 b) \cdot Fb \cdot 1/EJ = 1/12 \cdot Fb^2/EJ$$

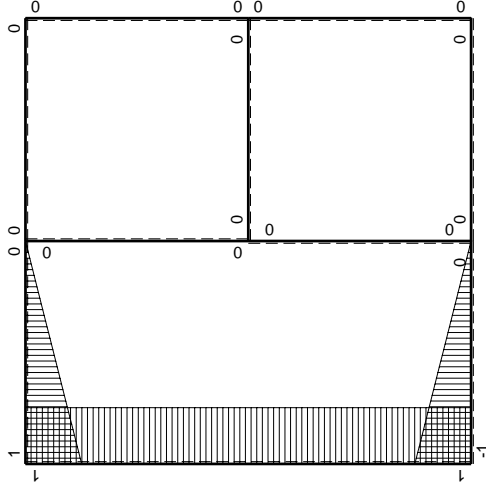
$$L_{ED}^{xo} = \int_0^b (-1/2 x/b + x^2/b^2) \cdot Fb \cdot 1/EJ \, dx = \left[-1/4 x^2/b + 1/3 x^3/b^2 \right]_0^b \cdot Fb \cdot 1/EJ$$

$$= (-1/4 b + 1/3 b) \cdot Fb \cdot 1/EJ = 1/12 \cdot Fb^2/EJ$$





M_0 flessione da carichi assegnati



M_x flessione da iperstatica $X=1$

Quadro contributi PLV per iperstatica $X=W_{AB}$

→	$M_x(x)$	$M_o(x)$	θ	$M_x M_o$	$M_x \theta$	$M_x M_x$	$\int M_x(M_o/EJ+\theta)dx$	$\int X M_x M_x/EJ dx$
AB b	$-1+x/b$	$-3/2Fx-1/2qx^2$	0	$3/2Fx-Fx^2/b-1/2qx^3/b$	0	$1-2x/b+x^2/b^2$	$(7/24+0)Fb^2/EJ$	$1/3Xb/EJ$
BA b	x/b	$2Fb-5/2Fx+1/2qx^2$	0	$2Fx-5/2Fx^2/b+1/2qx^3/b$	0	x^2/b^2		
BC b	0	$-2Fb+2Fx$	0	0	0	0	0+0	0
CB b	0	$2Fx$	0	0	0	0		
AD 2b	1	$1/4Fx$	0	$1/4Fx$	0	1	$(1/2+0)Fb^2/EJ$	$2Xb/EJ$
DA 2b	-1	$-1/2Fb+1/4Fx$	0	$1/2Fb-1/4Fx$	0	1		
DE b	$1-x/b$	$1/2Fb-Fx$	0	$1/2Fb-3/2Fx+Fx^2/b$	0	$1-2x/b+x^2/b^2$	$(1/12+0)Fb^2/EJ$	$1/3Xb/EJ$
ED b	$-x/b$	$1/2Fb-Fx$	0	$-1/2Fx+Fx^2/b$	0	x^2/b^2		
EF b	0	$-1/2Fb+Fx-1/2qx^2$	$-Fb/EJ$	0	0	0	0+0	0
FE b	0	$1/2qx^2$	Fb/EJ	0	0	0		
FG b	0	$-1/2Fx$	0	0	0	0	0+0	0
GF b	0	$1/2Fb-1/2Fx$	0	0	0	0		
GC b	0	$-1/2Fb+Fx-1/2qx^2$	0	0	0	0	0+0	0
CG b	0	$1/2qx^2$	0	0	0	0		
HG b	0	0	0	0	0	0	0+0	0
GH b	0	0	0	0	0	0		
HB b	0	$1/4Fb-1/4Fx$	0	0	0	0	0+0	0
BH b	0	$-1/4Fx$	0	0	0	0		
HE b	0	$-1/4Fb+1/4Fx$	0	0	0	0	0+0	0
EH b	0	$1/4Fx$	0	0	0	0		
AB	molla asta $-W_{1AB}(W_{0AB}+XW_{1AB})/k_{AB}$							$1/4Xb/EJ$
	totali						$7/8Fb^2/EJ$	$35/12Xb/EJ$
	iperstatica $X=W_{AB}$						$-3/10Fb$	

Sviluppi di calcolo iperstatica

$$L_{AB}^{xx} = \int_0^b (1 - 2x/b + x^2/b^2) \cdot 1/EJ \, dx + 1 \cdot 1/4 \cdot b/EJ = \left[x - x^2/b + 1/3 x^3/b^2 \right]_0^b \cdot 1/EJ + 1 \cdot 1/4 \cdot b/EJ$$

$$= (b - b + 1/3 b) \cdot 1/EJ + 1 \cdot 1/4 \cdot b/EJ = 7/12 \cdot b/EJ$$

$$L_{BA}^{xx} = \int_0^b (x^2/b^2) \cdot 1/EJ \, dx + 1 \cdot 1/4 \cdot b/EJ = \left[1/3 x^3/b^2 \right]_0^b \cdot 1/EJ + 1 \cdot 1/4 \cdot b/EJ$$

$$= (1/3 b) \cdot 1/EJ + 1 \cdot 1/4 \cdot b/EJ = 7/12 \cdot b/EJ$$

$$L_{AD}^{xx} = \int_0^{2b} (1) \cdot 1/EJ \, dx = \left[x \right]_0^{2b} \cdot 1/EJ$$

$$= (2b) \cdot 1/EJ = 2 \cdot b/EJ$$

$$L_{DA}^{xx} = \int_0^{2b} (1) \cdot 1/EJ \, dx = \left[x \right]_0^{2b} \cdot 1/EJ$$

$$= (2b) \cdot 1/EJ = 2 \cdot b/EJ$$

$$L_{DE}^{xx} = \int_0^b (1 - 2x/b + x^2/b^2) \cdot 1/EJ \, dx = \left[x - x^2/b + 1/3 x^3/b^2 \right]_0^b \cdot 1/EJ$$

$$= (b - b + 1/3 b) \cdot 1/EJ = 1/3 \cdot b/EJ$$

$$L_{ED}^{xx} = \int_0^b (x^2/b^2) \cdot 1/EJ \, dx = \left[1/3 x^3/b^2 \right]_0^b \cdot 1/EJ$$

$$= (1/3 b) \cdot 1/EJ = 1/3 \cdot b/EJ$$

$$L_{AB}^{xo} = \int_0^b (3/2 x/b - x^2/b^2 - 1/2 x^3/b^3) \cdot Fb \cdot 1/EJ \, dx + 1 \cdot 0 \cdot 1/4 \cdot Fb^2/EJ$$

$$= \left[3/4 x^2/b - 1/3 x^3/b^2 - 1/8 x^4/b^3 \right]_0^b \cdot Fb \cdot 1/EJ + 1 \cdot 0 \cdot 1/4 \cdot Fb^2/EJ$$

$$= (3/4 b - 1/3 b - 1/8 b) \cdot Fb \cdot 1/EJ + 1 \cdot 0 \cdot 1/4 \cdot Fb^2/EJ = 7/24 \cdot Fb^2/EJ$$

$$L_{BA}^{xo} = \int_0^b (2x/b - 5/2 x^2/b^2 + 1/2 x^3/b^3) \cdot Fb \cdot 1/EJ \, dx + 1 \cdot 0 \cdot 1/4 \cdot Fb^2/EJ$$

$$= \left[x^2/b - 5/6 x^3/b^2 + 1/8 x^4/b^3 \right]_0^b \cdot Fb \cdot 1/EJ + 1 \cdot 0 \cdot 1/4 \cdot Fb^2/EJ$$

$$= (b - 5/6 b + 1/8 b) \cdot Fb \cdot 1/EJ + 1 \cdot 0 \cdot 1/4 \cdot Fb^2/EJ = 7/24 \cdot Fb^2/EJ$$

$$L_{AD}^{xo} = \int_0^{2b} (1/4 x/b) \cdot Fb \cdot 1/EJ \, dx = \left[1/8 x^2/b \right]_0^{2b} \cdot Fb \cdot 1/EJ$$

$$= (1/2 b) \cdot Fb \cdot 1/EJ = 1/2 \cdot Fb^2/EJ$$

$$L_{DA}^{xo} = \int_0^{2b} (1/2 - 1/4 x/b) \cdot Fb \cdot 1/EJ \, dx = \left[1/2 x - 1/8 x^2/b \right]_0^{2b} \cdot Fb \cdot 1/EJ$$

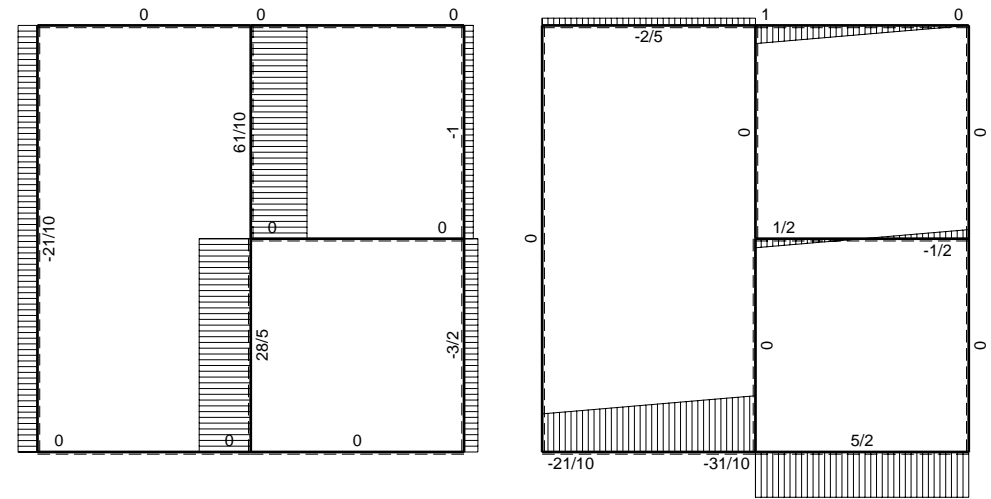
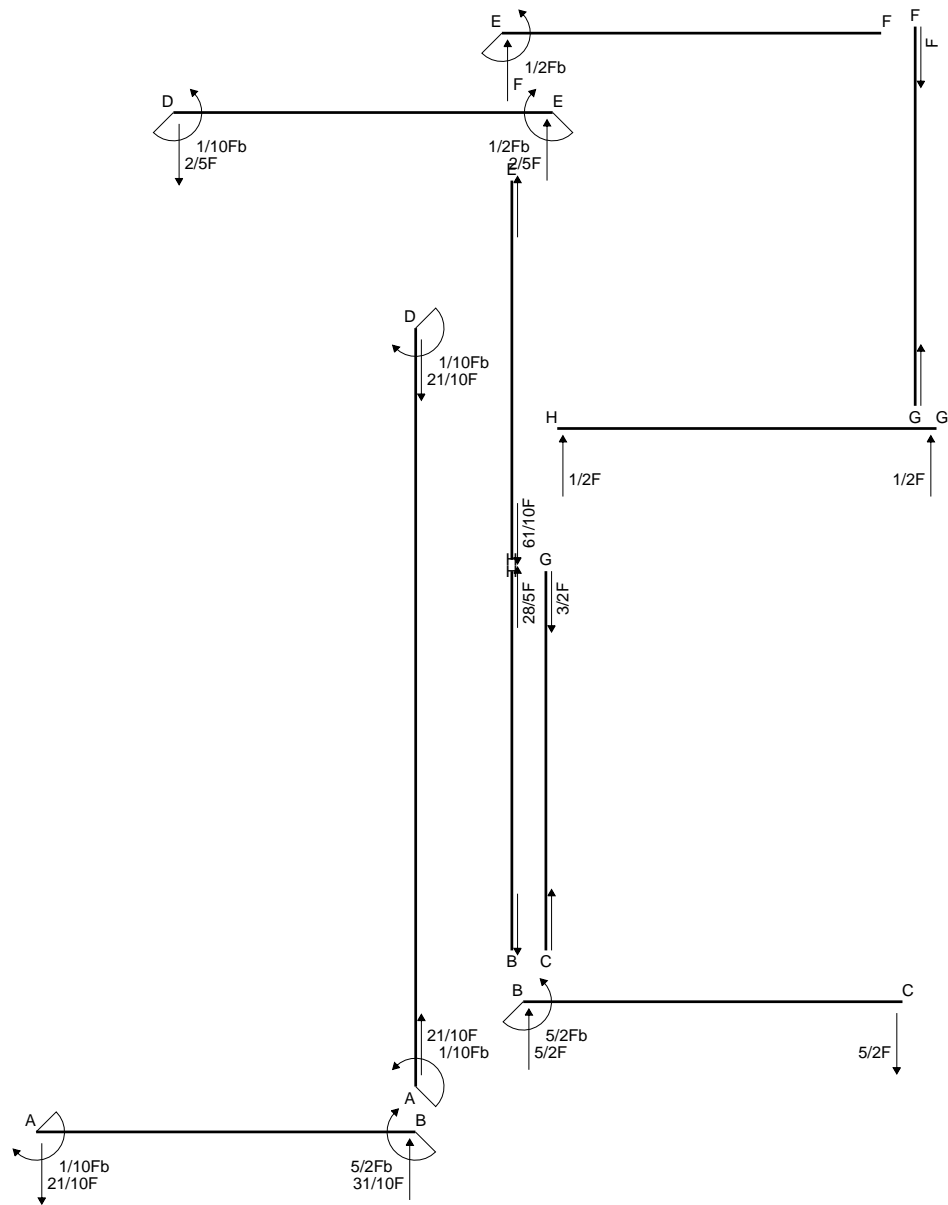
$$= (b - 1/2 b) \cdot Fb \cdot 1/EJ = 1/2 \cdot Fb^2/EJ$$

$$L_{DE}^{xo} = \int_0^b (1/2 - 3/2 x/b + x^2/b^2) \cdot Fb \cdot 1/EJ \, dx = \left[1/2 x - 3/4 x^2/b + 1/3 x^3/b^2 \right]_0^b \cdot Fb \cdot 1/EJ$$

$$= (1/2 b - 3/4 b + 1/3 b) \cdot Fb \cdot 1/EJ = 1/12 \cdot Fb^2/EJ$$

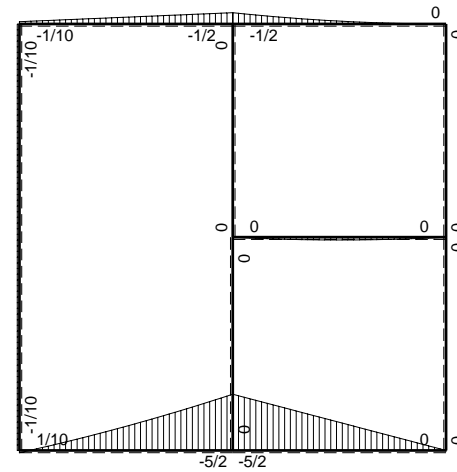
$$L_{ED}^{xo} = \int_0^b (-1/2 x/b + x^2/b^2) \cdot Fb \cdot 1/EJ \, dx = \left[-1/4 x^2/b + 1/3 x^3/b^2 \right]_0^b \cdot Fb \cdot 1/EJ$$

$$= (-1/4 b + 1/3 b) \cdot Fb \cdot 1/EJ = 1/12 \cdot Fb^2/EJ$$

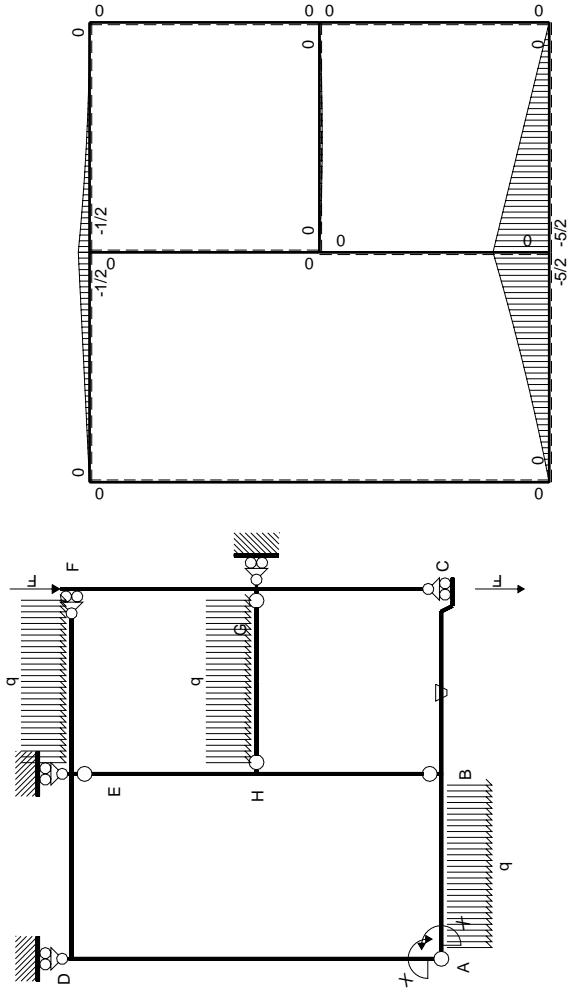


← ⊕ → F

↑ ⊕ ↓ Fb

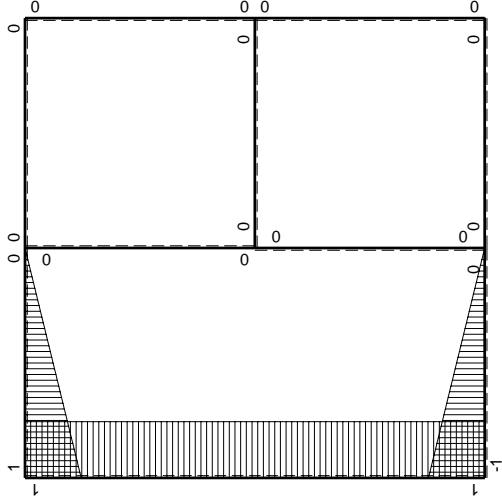


⊕ ⊕ Fb



Schema di calcolo iperstatico

M_0 flessione da carichi assegnati



M_x flessione da iperstatica $X=1$

Quadro contributi PLV per iperstatica $X=W_{AB}$

→	$M_x(x)$	$M_o(x)$	θ	$M_x M_o$	$M_x \theta$	$M_x M_x$	$\int M_x(M_o/EJ+\theta)dx$	$\int X M_x M_x/EJ dx$	
AB b	$-1+x/b$	$-2Fx-1/2qx^2$	0	$2Fx-3/2Fx^2/b-1/2qx^3/b$	0	$1-2x/b+x^2/b^2$	$(3/8+0)Fb^2/EJ$	$1/3Xb/EJ$	
BA b	x/b	$5/2Fb-3Fx+1/2qx^2$	0	$5/2Fx-3Fx^2/b+1/2qx^3/b$	0	x^2/b^2			
BC b	0	$-5/2Fb+5/2Fx$	$-Fb/EJ$	0	0	0	0+0	0	
CB b	0	$5/2Fx$	Fb/EJ	0	0	0			
AD 2b	1	0	0	0	0	1	0+0	$2Xb/EJ$	
DA 2b	-1	0	0	0	0	1			
DE b	$1-x/b$	$-1/2Fx$	0	$-1/2Fx+1/2Fx^2/b$	0	$1-2x/b+x^2/b^2$	$(-1/12+0)Fb^2/EJ$	$1/3Xb/EJ$	
ED b	$-x/b$	$1/2Fb-1/2Fx$	0	$-1/2Fx+1/2Fx^2/b$	0	x^2/b^2			
EF b	0	$-1/2Fb+Fx-1/2qx^2$	0	0	0	0	0+0	0	
FE b	0	$1/2qx^2$	0	0	0	0			
FG b	0	0	0	0	0	0	0+0	0	
GF b	0	0	0	0	0	0			
GC b	0	0	0	0	0	0	0+0	0	
CG b	0	0	0	0	0	0			
HG b	0	$1/2Fx-1/2qx^2$	0	0	0	0	0+0	0	
GH b	0	$-1/2Fx+1/2qx^2$	0	0	0	0			
HB b	0	0	0	0	0	0	0+0	0	
BH b	0	0	0	0	0	0			
HE b	0	0	0	0	0	0	0+0	0	
EH b	0	0	0	0	0	0			
AB	molla asta $-W_{1AB}(W_{0AB}+XW_{1AB})/k_{AB}$								$1/4Xb/EJ$
	totali							$7/24Fb^2/EJ$	$35/12Xb/EJ$
	iperstatica $X=W_{AB}$							$-1/10Fb$	

Sviluppi di calcolo iperstatica

$$L_{AB}^{xx} = \int_0^b (1 - 2x/b + x^2/b^2) \cdot 1/EJ \, dx + 1 \cdot 1/4 \cdot b/EJ = \left[x - x^2/b + 1/3 x^3/b^2 \right]_0^b \cdot 1/EJ + 1 \cdot 1/4 \cdot b/EJ$$

$$= (b - b + 1/3 b) \cdot 1/EJ + 1 \cdot 1/4 \cdot b/EJ = 7/12 \cdot b/EJ$$

$$L_{BA}^{xx} = \int_0^b (x^2/b^2) \cdot 1/EJ \, dx + 1 \cdot 1/4 \cdot b/EJ = \left[1/3 x^3/b^2 \right]_0^b \cdot 1/EJ + 1 \cdot 1/4 \cdot b/EJ$$

$$= (1/3 b) \cdot 1/EJ + 1 \cdot 1/4 \cdot b/EJ = 7/12 \cdot b/EJ$$

$$L_{AD}^{xx} = \int_0^{2b} (1) \cdot 1/EJ \, dx = \left[x \right]_0^{2b} \cdot 1/EJ$$

$$= (2b) \cdot 1/EJ = 2 \cdot b/EJ$$

$$L_{DA}^{xx} = \int_0^{2b} (1) \cdot 1/EJ \, dx = \left[x \right]_0^{2b} \cdot 1/EJ$$

$$= (2b) \cdot 1/EJ = 2 \cdot b/EJ$$

$$L_{DE}^{xx} = \int_0^b (1 - 2x/b + x^2/b^2) \cdot 1/EJ \, dx = \left[x - x^2/b + 1/3 x^3/b^2 \right]_0^b \cdot 1/EJ$$

$$= (b - b + 1/3 b) \cdot 1/EJ = 1/3 \cdot b/EJ$$

$$L_{ED}^{xx} = \int_0^b (x^2/b^2) \cdot 1/EJ \, dx = \left[1/3 x^3/b^2 \right]_0^b \cdot 1/EJ$$

$$= (1/3 b) \cdot 1/EJ = 1/3 \cdot b/EJ$$

$$L_{AB}^{xo} = \int_0^b (2x/b - 3/2 x^2/b^2 - 1/2 x^3/b^3) \cdot Fb \cdot 1/EJ \, dx + 1 \cdot 0 \cdot 1/4 \cdot Fb^2/EJ$$

$$= \left[x^2/b - 1/2 x^3/b^2 - 1/8 x^4/b^3 \right]_0^b \cdot Fb \cdot 1/EJ + 1 \cdot 0 \cdot 1/4 \cdot Fb^2/EJ$$

$$= (b - 1/2 b - 1/8 b) \cdot Fb \cdot 1/EJ + 1 \cdot 0 \cdot 1/4 \cdot Fb^2/EJ = 3/8 \cdot Fb^2/EJ$$

$$L_{BA}^{xo} = \int_0^b (5/2 x/b - 3 x^2/b^2 + 1/2 x^3/b^3) \cdot Fb \cdot 1/EJ \, dx + 1 \cdot 0 \cdot 1/4 \cdot Fb^2/EJ$$

$$= \left[5/4 x^2/b - x^3/b^2 + 1/8 x^4/b^3 \right]_0^b \cdot Fb \cdot 1/EJ + 1 \cdot 0 \cdot 1/4 \cdot Fb^2/EJ$$

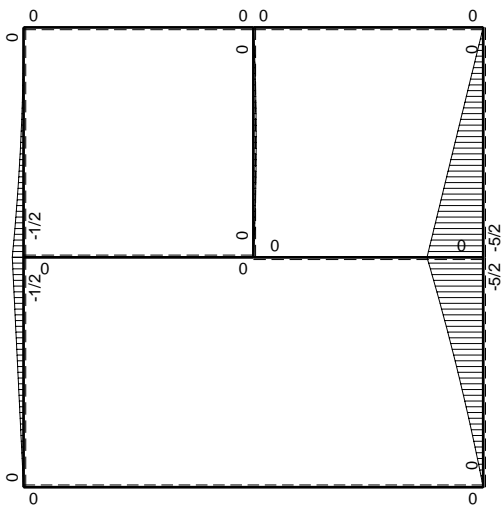
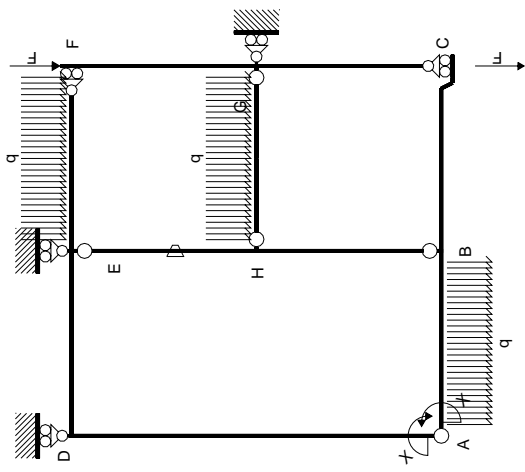
$$= (5/4 b - b + 1/8 b) \cdot Fb \cdot 1/EJ + 1 \cdot 0 \cdot 1/4 \cdot Fb^2/EJ = 3/8 \cdot Fb^2/EJ$$

$$L_{DE}^{xo} = \int_0^b (-1/2 x/b + 1/2 x^2/b^2) \cdot Fb \cdot 1/EJ \, dx = \left[-1/4 x^2/b + 1/6 x^3/b^2 \right]_0^b \cdot Fb \cdot 1/EJ$$

$$= (-1/4 b + 1/6 b) \cdot Fb \cdot 1/EJ = -1/12 \cdot Fb^2/EJ$$

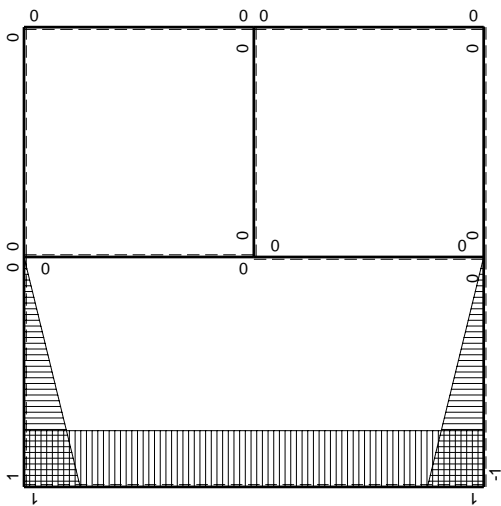
$$L_{ED}^{xo} = \int_0^b (-1/2 x/b + 1/2 x^2/b^2) \cdot Fb \cdot 1/EJ \, dx = \left[-1/4 x^2/b + 1/6 x^3/b^2 \right]_0^b \cdot Fb \cdot 1/EJ$$

$$= (-1/4 b + 1/6 b) \cdot Fb \cdot 1/EJ = -1/12 \cdot Fb^2/EJ$$



Schema di calcolo iperstatico

M_0 flessione da carichi assegnati



M_x flessione da iperstatica $X=1$

Quadro contributi PLV per iperstatica $X=W_{AB}$

→	$M_x(x)$	$M_o(x)$	θ	$M_x M_o$	$M_x \theta$	$M_x M_x$	$\int M_x(M_o/EJ+\theta)dx$	$\int X M_x M_x/EJ dx$
AB b	$-1+x/b$	$-2Fx-1/2qx^2$	0	$2Fx-3/2Fx^2/b-1/2qx^3/b$	0	$1-2x/b+x^2/b^2$	$(3/8+0)Fb^2/EJ$	$1/3Xb/EJ$
BA b	x/b	$5/2Fb-3Fx+1/2qx^2$	0	$5/2Fx-3Fx^2/b+1/2qx^3/b$	0	x^2/b^2		
BC b	0	$-5/2Fb+5/2Fx$	0	0	0	0	0+0	0
CB b	0	$5/2Fx$	0	0	0	0		
AD 2b	1	0	0	0	0	1	0+0	$2Xb/EJ$
DA 2b	-1	0	0	0	0	1		
DE b	$1-x/b$	$-1/2Fx$	0	$-1/2Fx+1/2Fx^2/b$	0	$1-2x/b+x^2/b^2$	$(-1/12+0)Fb^2/EJ$	$1/3Xb/EJ$
ED b	$-x/b$	$1/2Fb-1/2Fx$	0	$-1/2Fx+1/2Fx^2/b$	0	x^2/b^2		
EF b	0	$-1/2Fb+Fx-1/2qx^2$	0	0	0	0	0+0	0
FE b	0	$1/2qx^2$	0	0	0	0		
FG b	0	0	0	0	0	0	0+0	0
GF b	0	0	0	0	0	0		
GC b	0	0	0	0	0	0	0+0	0
CG b	0	0	0	0	0	0		
HG b	0	$1/2Fx-1/2qx^2$	0	0	0	0	0+0	0
GH b	0	$-1/2Fx+1/2qx^2$	0	0	0	0		
HB b	0	0	0	0	0	0	0+0	0
BH b	0	0	0	0	0	0		
HE b	0	0	$-Fb/EJ$	0	0	0	0+0	0
EH b	0	0	Fb/EJ	0	0	0		
AB	molla asta $-W_{1AB}(W_{0AB}+XW_{1AB})/k_{AB}$							$1/4Xb/EJ$
	totali						$7/24Fb^2/EJ$	$35/12Xb/EJ$
	iperstatica $X=W_{AB}$						$-1/10Fb$	

Sviluppi di calcolo iperstatica

$$L_{AB}^{xx} = \int_0^b (1 - 2x/b + x^2/b^2) \cdot 1/EJ \, dx + 1 \cdot 1/4 \cdot b/EJ = \left[x - x^2/b + 1/3 x^3/b^2 \right]_0^b \cdot 1/EJ + 1 \cdot 1/4 \cdot b/EJ$$

$$= (b - b + 1/3 b) \cdot 1/EJ + 1 \cdot 1/4 \cdot b/EJ = 7/12 \cdot b/EJ$$

$$L_{BA}^{xx} = \int_0^b (x^2/b^2) \cdot 1/EJ \, dx + 1 \cdot 1/4 \cdot b/EJ = \left[1/3 x^3/b^2 \right]_0^b \cdot 1/EJ + 1 \cdot 1/4 \cdot b/EJ$$

$$= (1/3 b) \cdot 1/EJ + 1 \cdot 1/4 \cdot b/EJ = 7/12 \cdot b/EJ$$

$$L_{AD}^{xx} = \int_0^{2b} (1) \cdot 1/EJ \, dx = \left[x \right]_0^{2b} \cdot 1/EJ$$

$$= (2b) \cdot 1/EJ = 2 \cdot b/EJ$$

$$L_{DA}^{xx} = \int_0^{2b} (1) \cdot 1/EJ \, dx = \left[x \right]_0^{2b} \cdot 1/EJ$$

$$= (2b) \cdot 1/EJ = 2 \cdot b/EJ$$

$$L_{DE}^{xx} = \int_0^b (1 - 2x/b + x^2/b^2) \cdot 1/EJ \, dx = \left[x - x^2/b + 1/3 x^3/b^2 \right]_0^b \cdot 1/EJ$$

$$= (b - b + 1/3 b) \cdot 1/EJ = 1/3 \cdot b/EJ$$

$$L_{ED}^{xx} = \int_0^b (x^2/b^2) \cdot 1/EJ \, dx = \left[1/3 x^3/b^2 \right]_0^b \cdot 1/EJ$$

$$= (1/3 b) \cdot 1/EJ = 1/3 \cdot b/EJ$$

$$L_{AB}^{xo} = \int_0^b (2x/b - 3/2 x^2/b^2 - 1/2 x^3/b^3) \cdot Fb \cdot 1/EJ \, dx + 1 \cdot 0 \cdot 1/4 \cdot Fb^2/EJ$$

$$= \left[x^2/b - 1/2 x^3/b^2 - 1/8 x^4/b^3 \right]_0^b \cdot Fb \cdot 1/EJ + 1 \cdot 0 \cdot 1/4 \cdot Fb^2/EJ$$

$$= (b - 1/2 b - 1/8 b) \cdot Fb \cdot 1/EJ + 1 \cdot 0 \cdot 1/4 \cdot Fb^2/EJ = 3/8 \cdot Fb^2/EJ$$

$$L_{BA}^{xo} = \int_0^b (5/2 x/b - 3 x^2/b^2 + 1/2 x^3/b^3) \cdot Fb \cdot 1/EJ \, dx + 1 \cdot 0 \cdot 1/4 \cdot Fb^2/EJ$$

$$= \left[5/4 x^2/b - x^3/b^2 + 1/8 x^4/b^3 \right]_0^b \cdot Fb \cdot 1/EJ + 1 \cdot 0 \cdot 1/4 \cdot Fb^2/EJ$$

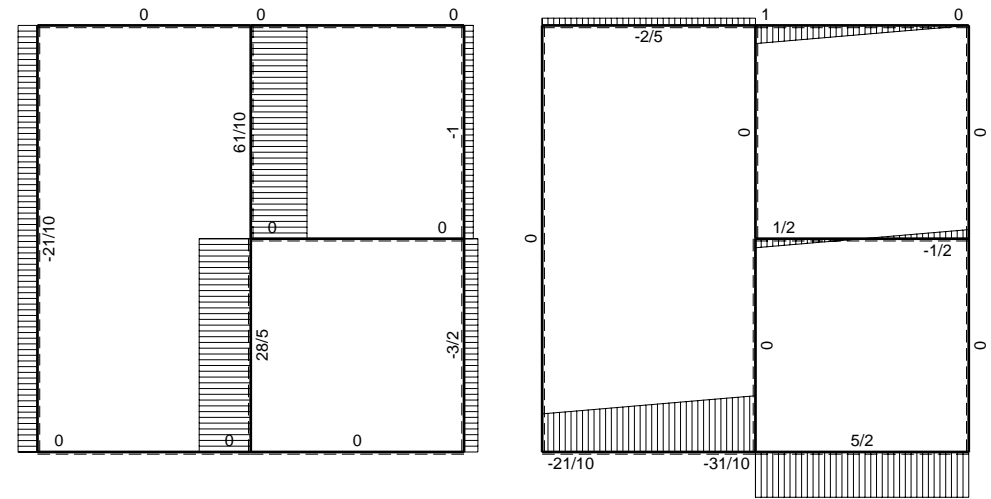
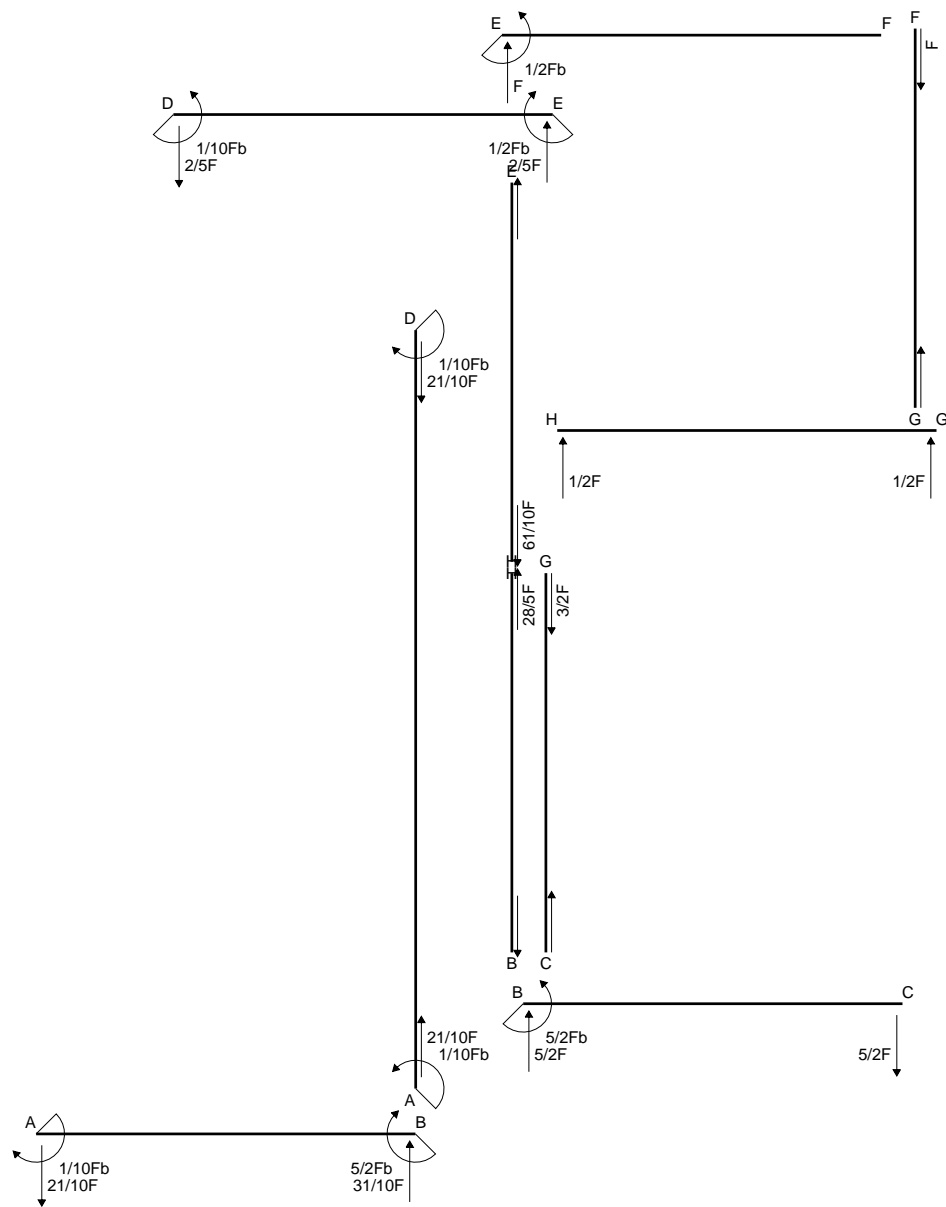
$$= (5/4 b - b + 1/8 b) \cdot Fb \cdot 1/EJ + 1 \cdot 0 \cdot 1/4 \cdot Fb^2/EJ = 3/8 \cdot Fb^2/EJ$$

$$L_{DE}^{xo} = \int_0^b (-1/2 x/b + 1/2 x^2/b^2) \cdot Fb \cdot 1/EJ \, dx = \left[-1/4 x^2/b + 1/6 x^3/b^2 \right]_0^b \cdot Fb \cdot 1/EJ$$

$$= (-1/4 b + 1/6 b) \cdot Fb \cdot 1/EJ = -1/12 \cdot Fb^2/EJ$$

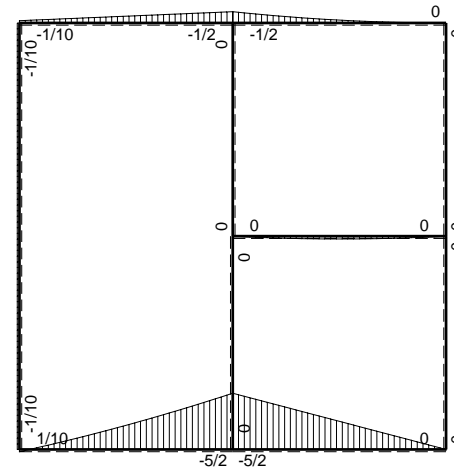
$$L_{ED}^{xo} = \int_0^b (-1/2 x/b + 1/2 x^2/b^2) \cdot Fb \cdot 1/EJ \, dx = \left[-1/4 x^2/b + 1/6 x^3/b^2 \right]_0^b \cdot Fb \cdot 1/EJ$$

$$= (-1/4 b + 1/6 b) \cdot Fb \cdot 1/EJ = -1/12 \cdot Fb^2/EJ$$

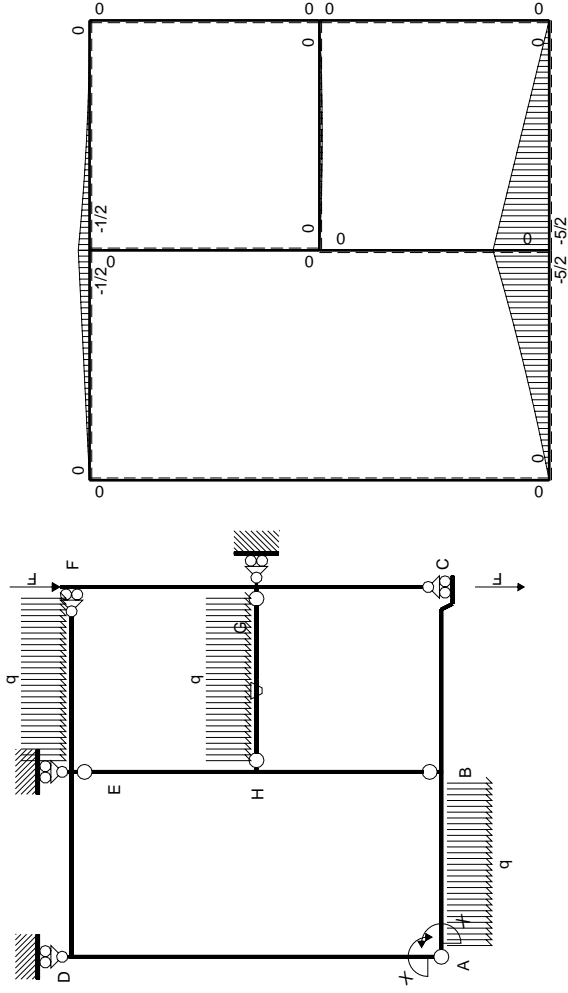


← ⊕ → F

↑ ⊕ ↓ F

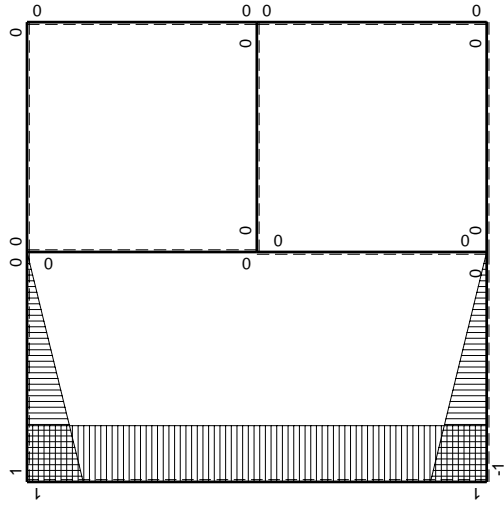


⊕ ⊖ F_b



Schema di calcolo iperstatico

M_0 flexione da carichi assegnati



M_x flexione da iperstatica $X=1$

Quadro contributi PLV per iperstatica $X=W_{AB}$

→	$M_x(x)$	$M_o(x)$	θ	$M_x M_o$	$M_x \theta$	$M_x M_x$	$\int M_x(M_o/EJ+\theta)dx$	$\int X M_x M_x / EJ dx$	
AB b	$-1+x/b$	$-2Fx-1/2qx^2$	0	$2Fx-3/2Fx^2/b-1/2qx^3/b$	0	$1-2x/b+x^2/b^2$	$(3/8+0)Fb^2/EJ$	$1/3Xb/EJ$	
BA b	x/b	$5/2Fb-3Fx+1/2qx^2$	0	$5/2Fx-3Fx^2/b+1/2qx^3/b$	0	x^2/b^2			
BC b	0	$-5/2Fb+5/2Fx$	0	0	0	0	0+0	0	
CB b	0	$5/2Fx$	0	0	0	0			
AD 2b	1	0	0	0	0	1	0+0	$2Xb/EJ$	
DA 2b	-1	0	0	0	0	1			
DE b	$1-x/b$	$-1/2Fx$	0	$-1/2Fx+1/2Fx^2/b$	0	$1-2x/b+x^2/b^2$	$(-1/12+0)Fb^2/EJ$	$1/3Xb/EJ$	
ED b	$-x/b$	$1/2Fb-1/2Fx$	0	$-1/2Fx+1/2Fx^2/b$	0	x^2/b^2			
EF b	0	$-1/2Fb+Fx-1/2qx^2$	0	0	0	0	0+0	0	
FE b	0	$1/2qx^2$	0	0	0	0			
FG b	0	0	0	0	0	0	0+0	0	
GF b	0	0	0	0	0	0			
GC b	0	0	0	0	0	0	0+0	0	
CG b	0	0	0	0	0	0			
HG b	0	$1/2Fx-1/2qx^2$	$-Fb/EJ$	0	0	0	0+0	0	
GH b	0	$-1/2Fx+1/2qx^2$	Fb/EJ	0	0	0			
HB b	0	0	0	0	0	0	0+0	0	
BH b	0	0	0	0	0	0			
HE b	0	0	0	0	0	0	0+0	0	
EH b	0	0	0	0	0	0			
AB	molla asta $-W_{1AB} (W_{0AB} + XW_{1AB}) / k_{AB}$								$1/4Xb/EJ$
	totali							$7/24Fb^2/EJ$	$35/12Xb/EJ$
	iperstatica $X=W_{AB}$							$-1/10Fb$	

Sviluppi di calcolo iperstatica

$$L_{AB}^{xx} = \int_0^b (1 - 2x/b + x^2/b^2) \cdot 1/EJ \, dx + 1 \cdot 1/4 \cdot b/EJ = \left[x - x^2/b + 1/3 x^3/b^2 \right]_0^b \cdot 1/EJ + 1 \cdot 1/4 \cdot b/EJ$$

$$= (b - b + 1/3 b) \cdot 1/EJ + 1 \cdot 1/4 \cdot b/EJ = 7/12 \cdot b/EJ$$

$$L_{BA}^{xx} = \int_0^b (x^2/b^2) \cdot 1/EJ \, dx + 1 \cdot 1/4 \cdot b/EJ = \left[1/3 x^3/b^2 \right]_0^b \cdot 1/EJ + 1 \cdot 1/4 \cdot b/EJ$$

$$= (1/3 b) \cdot 1/EJ + 1 \cdot 1/4 \cdot b/EJ = 7/12 \cdot b/EJ$$

$$L_{AD}^{xx} = \int_0^{2b} (1) \cdot 1/EJ \, dx = \left[x \right]_0^{2b} \cdot 1/EJ$$

$$= (2b) \cdot 1/EJ = 2 \cdot b/EJ$$

$$L_{DA}^{xx} = \int_0^{2b} (1) \cdot 1/EJ \, dx = \left[x \right]_0^{2b} \cdot 1/EJ$$

$$= (2b) \cdot 1/EJ = 2 \cdot b/EJ$$

$$L_{DE}^{xx} = \int_0^b (1 - 2x/b + x^2/b^2) \cdot 1/EJ \, dx = \left[x - x^2/b + 1/3 x^3/b^2 \right]_0^b \cdot 1/EJ$$

$$= (b - b + 1/3 b) \cdot 1/EJ = 1/3 \cdot b/EJ$$

$$L_{ED}^{xx} = \int_0^b (x^2/b^2) \cdot 1/EJ \, dx = \left[1/3 x^3/b^2 \right]_0^b \cdot 1/EJ$$

$$= (1/3 b) \cdot 1/EJ = 1/3 \cdot b/EJ$$

$$L_{AB}^{xo} = \int_0^b (2x/b - 3/2 x^2/b^2 - 1/2 x^3/b^3) \cdot Fb \cdot 1/EJ \, dx + 1 \cdot 0 \cdot 1/4 \cdot Fb^2/EJ$$

$$= \left[x^2/b - 1/2 x^3/b^2 - 1/8 x^4/b^3 \right]_0^b \cdot Fb \cdot 1/EJ + 1 \cdot 0 \cdot 1/4 \cdot Fb^2/EJ$$

$$= (b - 1/2 b - 1/8 b) \cdot Fb \cdot 1/EJ + 1 \cdot 0 \cdot 1/4 \cdot Fb^2/EJ = 3/8 \cdot Fb^2/EJ$$

$$L_{BA}^{xo} = \int_0^b (5/2 x/b - 3 x^2/b^2 + 1/2 x^3/b^3) \cdot Fb \cdot 1/EJ \, dx + 1 \cdot 0 \cdot 1/4 \cdot Fb^2/EJ$$

$$= \left[5/4 x^2/b - x^3/b^2 + 1/8 x^4/b^3 \right]_0^b \cdot Fb \cdot 1/EJ + 1 \cdot 0 \cdot 1/4 \cdot Fb^2/EJ$$

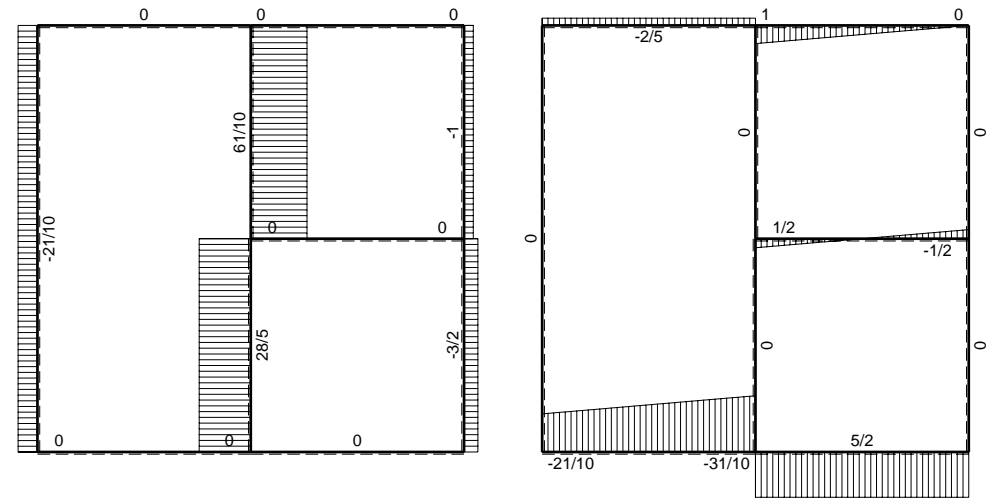
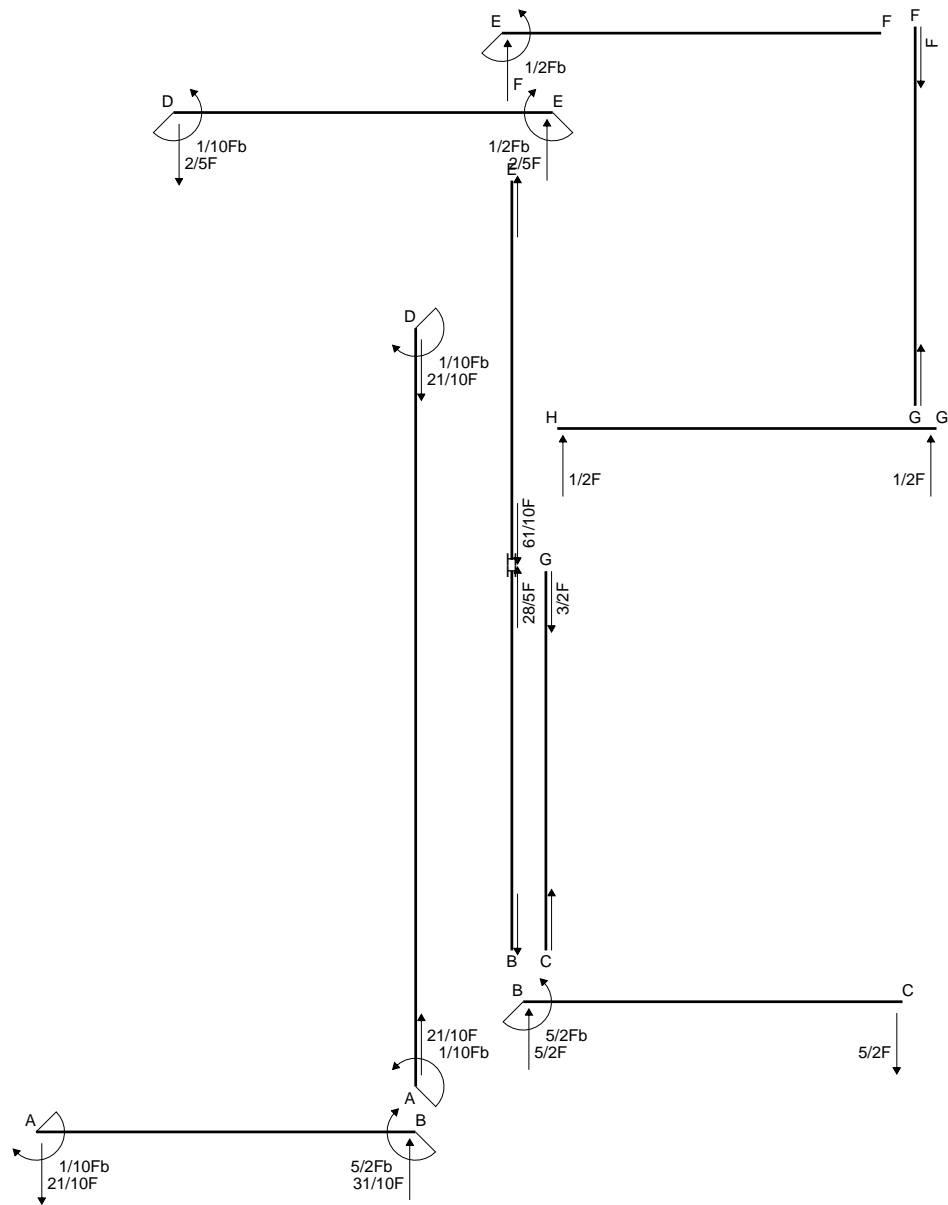
$$= (5/4 b - b + 1/8 b) \cdot Fb \cdot 1/EJ + 1 \cdot 0 \cdot 1/4 \cdot Fb^2/EJ = 3/8 \cdot Fb^2/EJ$$

$$L_{DE}^{xo} = \int_0^b (-1/2 x/b + 1/2 x^2/b^2) \cdot Fb \cdot 1/EJ \, dx = \left[-1/4 x^2/b + 1/6 x^3/b^2 \right]_0^b \cdot Fb \cdot 1/EJ$$

$$= (-1/4 b + 1/6 b) \cdot Fb \cdot 1/EJ = -1/12 \cdot Fb^2/EJ$$

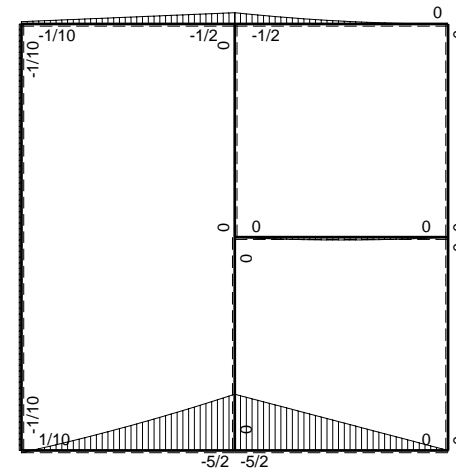
$$L_{ED}^{xo} = \int_0^b (-1/2 x/b + 1/2 x^2/b^2) \cdot Fb \cdot 1/EJ \, dx = \left[-1/4 x^2/b + 1/6 x^3/b^2 \right]_0^b \cdot Fb \cdot 1/EJ$$

$$= (-1/4 b + 1/6 b) \cdot Fb \cdot 1/EJ = -1/12 \cdot Fb^2/EJ$$

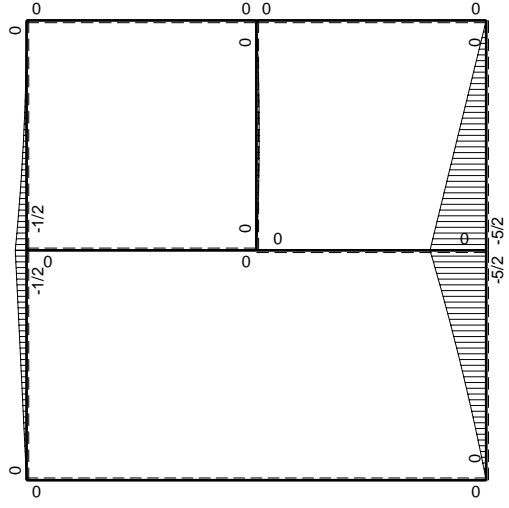
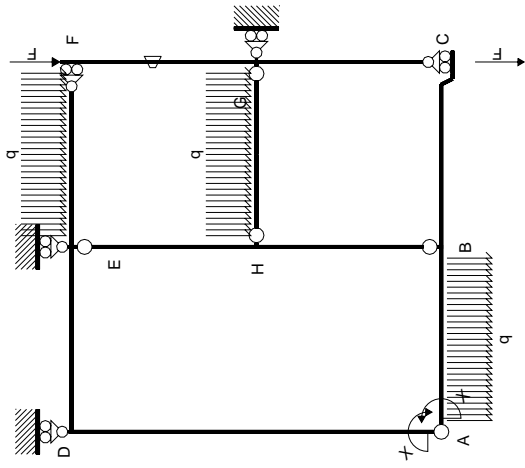


← ⊕ → F

↑ ⊕ ↓ F

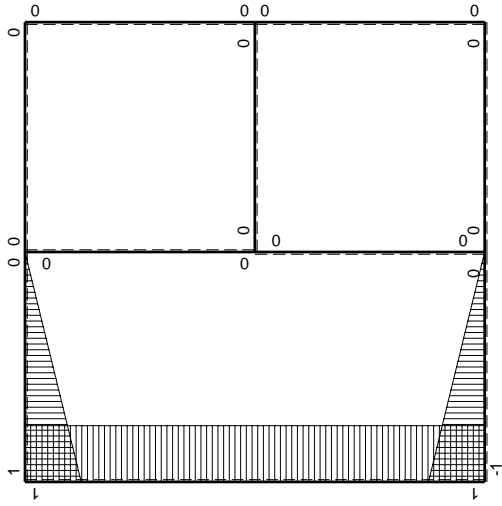


⊕ F_b



Schema di calcolo iperstatico

M_0 flessione da carichi assegnati



M_x flessione da iperstatica $X=1$

Quadro contributi PLV per iperstatica $X=W_{AB}$

→	$M_x(x)$	$M_o(x)$	θ	$M_x M_o$	$M_x \theta$	$M_x M_x$	$\int M_x(M_o/EJ+\theta)dx$	$\int X M_x M_x/EJ dx$	
AB b	$-1+x/b$	$-2Fx-1/2qx^2$	0	$2Fx-3/2Fx^2/b-1/2qx^3/b$	0	$1-2x/b+x^2/b^2$	$(3/8+0)Fb^2/EJ$	$1/3Xb/EJ$	
BA b	x/b	$5/2Fb-3Fx+1/2qx^2$	0	$5/2Fx-3Fx^2/b+1/2qx^3/b$	0	x^2/b^2			
BC b	0	$-5/2Fb+5/2Fx$	0	0	0	0	0+0	0	
CB b	0	$5/2Fx$	0	0	0	0			
AD 2b	1	0	0	0	0	1	0+0	$2Xb/EJ$	
DA 2b	-1	0	0	0	0	1			
DE b	$1-x/b$	$-1/2Fx$	0	$-1/2Fx+1/2Fx^2/b$	0	$1-2x/b+x^2/b^2$	$(-1/12+0)Fb^2/EJ$	$1/3Xb/EJ$	
ED b	$-x/b$	$1/2Fb-1/2Fx$	0	$-1/2Fx+1/2Fx^2/b$	0	x^2/b^2			
EF b	0	$-1/2Fb+Fx-1/2qx^2$	0	0	0	0	0+0	0	
FE b	0	$1/2qx^2$	0	0	0	0			
FG b	0	0	$-Fb/EJ$	0	0	0	0+0	0	
GF b	0	0	Fb/EJ	0	0	0			
GC b	0	0	0	0	0	0	0+0	0	
CG b	0	0	0	0	0	0			
HG b	0	$1/2Fx-1/2qx^2$	0	0	0	0	0+0	0	
GH b	0	$-1/2Fx+1/2qx^2$	0	0	0	0			
HB b	0	0	0	0	0	0	0+0	0	
BH b	0	0	0	0	0	0			
HE b	0	0	0	0	0	0	0+0	0	
EH b	0	0	0	0	0	0			
AB	molla asta $-W_{1AB}(W_{0AB}+XW_{1AB})/k_{AB}$								$1/4Xb/EJ$
	totali							$7/24Fb^2/EJ$	$35/12Xb/EJ$
	iperstatica $X=W_{AB}$							$-1/10Fb$	

Sviluppi di calcolo iperstatica

$$L_{AB}^{xx} = \int_0^b (1 - 2x/b + x^2/b^2) \cdot 1/EJ \, dx + 1 \cdot 1/4 \cdot b/EJ = \left[x - x^2/b + 1/3 x^3/b^2 \right]_0^b \cdot 1/EJ + 1 \cdot 1/4 \cdot b/EJ$$

$$= (b - b + 1/3 b) \cdot 1/EJ + 1 \cdot 1/4 \cdot b/EJ = 7/12 \cdot b/EJ$$

$$L_{BA}^{xx} = \int_0^b (x^2/b^2) \cdot 1/EJ \, dx + 1 \cdot 1/4 \cdot b/EJ = \left[1/3 x^3/b^2 \right]_0^b \cdot 1/EJ + 1 \cdot 1/4 \cdot b/EJ$$

$$= (1/3 b) \cdot 1/EJ + 1 \cdot 1/4 \cdot b/EJ = 7/12 \cdot b/EJ$$

$$L_{AD}^{xx} = \int_0^{2b} (1) \cdot 1/EJ \, dx = \left[x \right]_0^{2b} \cdot 1/EJ$$

$$= (2b) \cdot 1/EJ = 2 \cdot b/EJ$$

$$L_{DA}^{xx} = \int_0^{2b} (1) \cdot 1/EJ \, dx = \left[x \right]_0^{2b} \cdot 1/EJ$$

$$= (2b) \cdot 1/EJ = 2 \cdot b/EJ$$

$$L_{DE}^{xx} = \int_0^b (1 - 2x/b + x^2/b^2) \cdot 1/EJ \, dx = \left[x - x^2/b + 1/3 x^3/b^2 \right]_0^b \cdot 1/EJ$$

$$= (b - b + 1/3 b) \cdot 1/EJ = 1/3 \cdot b/EJ$$

$$L_{ED}^{xx} = \int_0^b (x^2/b^2) \cdot 1/EJ \, dx = \left[1/3 x^3/b^2 \right]_0^b \cdot 1/EJ$$

$$= (1/3 b) \cdot 1/EJ = 1/3 \cdot b/EJ$$

$$L_{AB}^{xo} = \int_0^b (2x/b - 3/2 x^2/b^2 - 1/2 x^3/b^3) \cdot Fb \cdot 1/EJ \, dx + 1 \cdot 0 \cdot 1/4 \cdot Fb^2/EJ$$

$$= \left[x^2/b - 1/2 x^3/b^2 - 1/8 x^4/b^3 \right]_0^b \cdot Fb \cdot 1/EJ + 1 \cdot 0 \cdot 1/4 \cdot Fb^2/EJ$$

$$= (b - 1/2 b - 1/8 b) \cdot Fb \cdot 1/EJ + 1 \cdot 0 \cdot 1/4 \cdot Fb^2/EJ = 3/8 \cdot Fb^2/EJ$$

$$L_{BA}^{xo} = \int_0^b (5/2 x/b - 3 x^2/b^2 + 1/2 x^3/b^3) \cdot Fb \cdot 1/EJ \, dx + 1 \cdot 0 \cdot 1/4 \cdot Fb^2/EJ$$

$$= \left[5/4 x^2/b - x^3/b^2 + 1/8 x^4/b^3 \right]_0^b \cdot Fb \cdot 1/EJ + 1 \cdot 0 \cdot 1/4 \cdot Fb^2/EJ$$

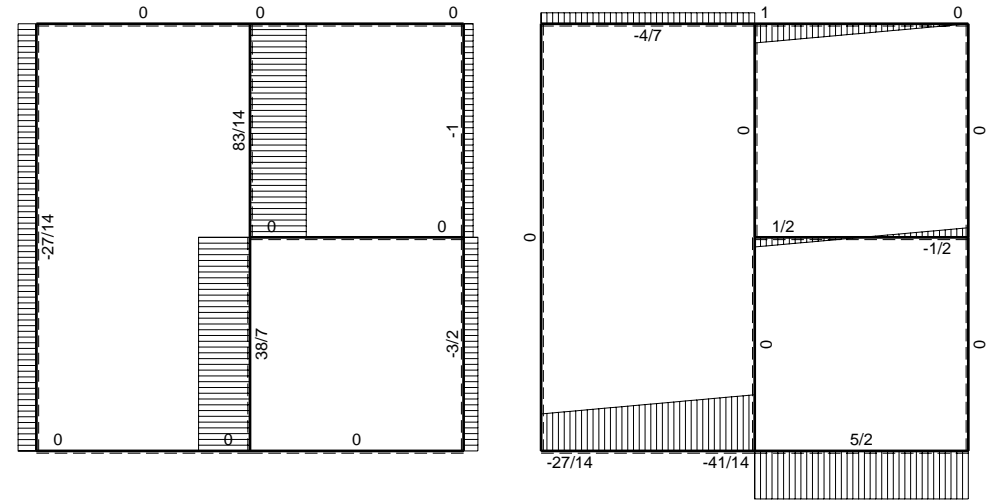
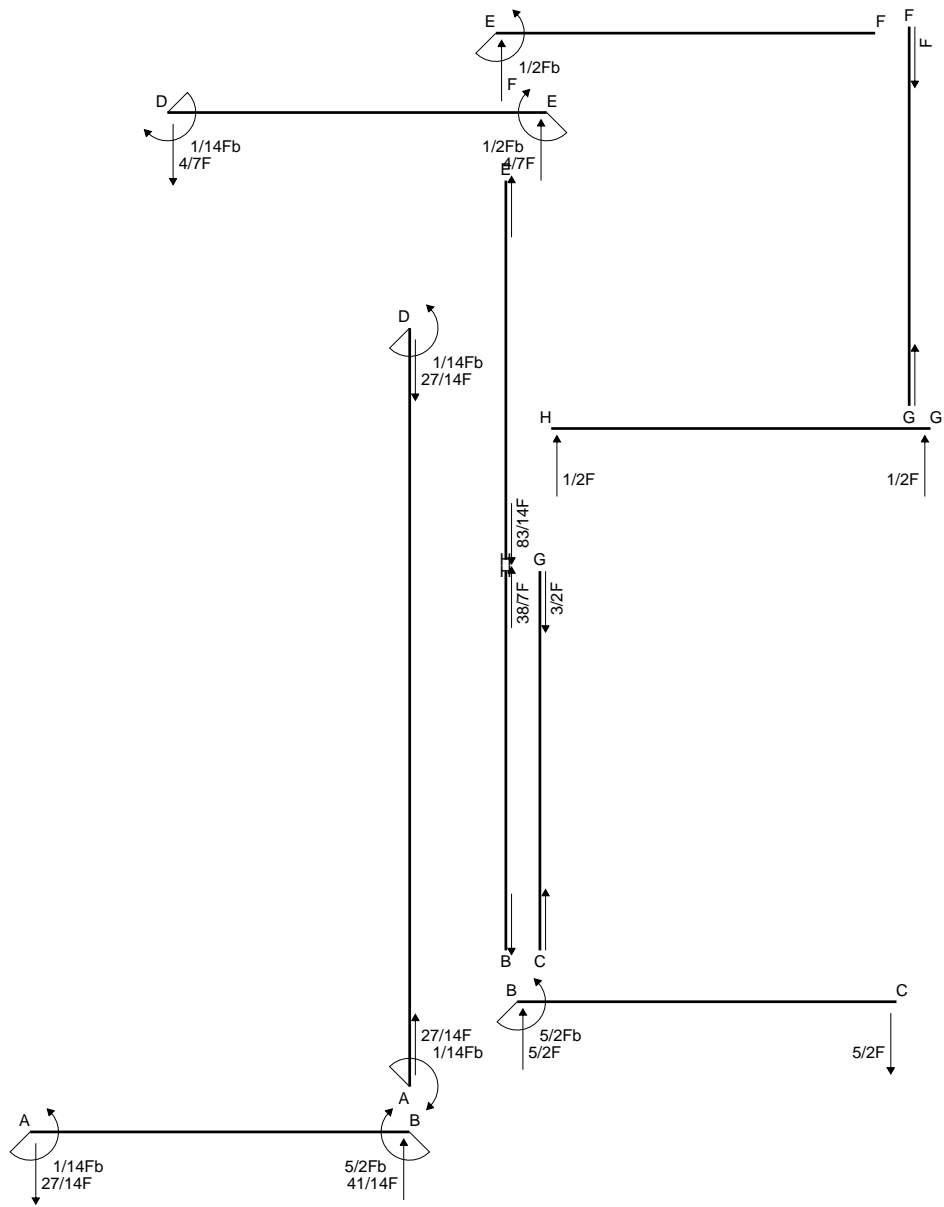
$$= (5/4 b - b + 1/8 b) \cdot Fb \cdot 1/EJ + 1 \cdot 0 \cdot 1/4 \cdot Fb^2/EJ = 3/8 \cdot Fb^2/EJ$$

$$L_{DE}^{xo} = \int_0^b (-1/2 x/b + 1/2 x^2/b^2) \cdot Fb \cdot 1/EJ \, dx = \left[-1/4 x^2/b + 1/6 x^3/b^2 \right]_0^b \cdot Fb \cdot 1/EJ$$

$$= (-1/4 b + 1/6 b) \cdot Fb \cdot 1/EJ = -1/12 \cdot Fb^2/EJ$$

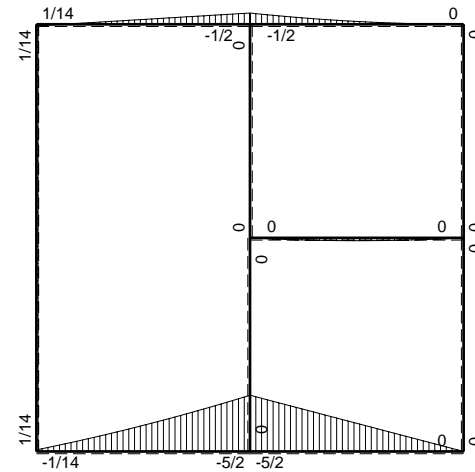
$$L_{ED}^{xo} = \int_0^b (-1/2 x/b + 1/2 x^2/b^2) \cdot Fb \cdot 1/EJ \, dx = \left[-1/4 x^2/b + 1/6 x^3/b^2 \right]_0^b \cdot Fb \cdot 1/EJ$$

$$= (-1/4 b + 1/6 b) \cdot Fb \cdot 1/EJ = -1/12 \cdot Fb^2/EJ$$

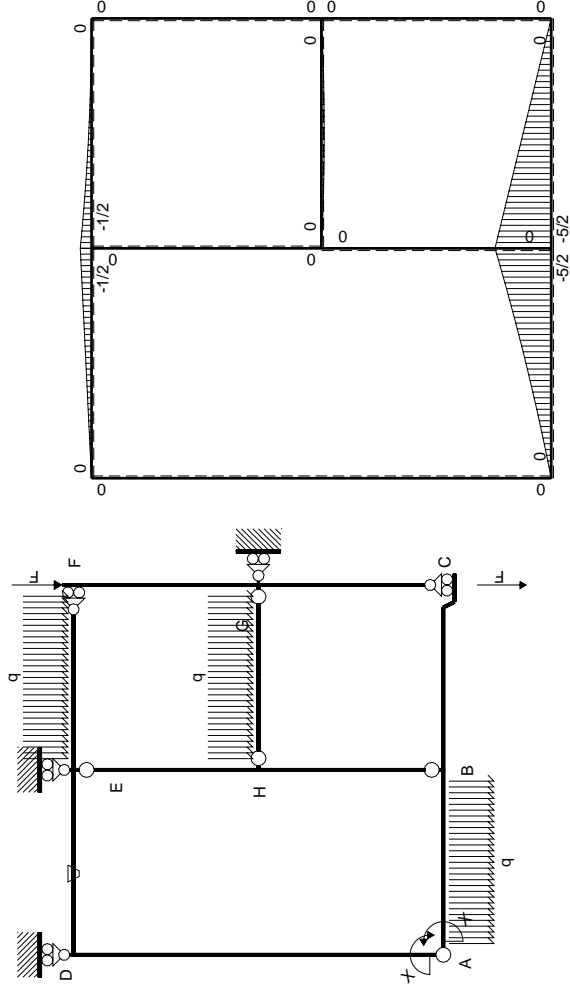


← ⊕ → F

↑ ⊕ ↓ F

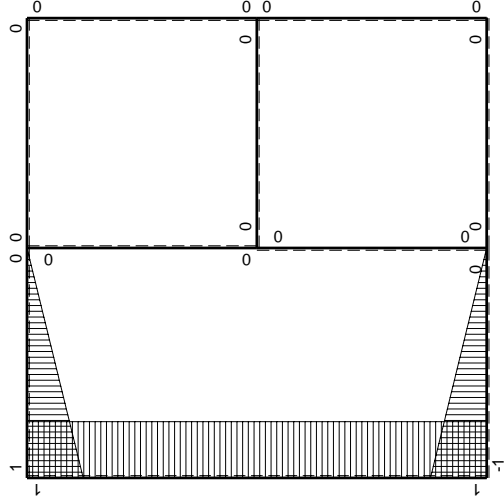


⊕ ⊖ F_b



Schema di calcolo iperstatico

M_0 flessione da carichi assegnati



M_x flessione da iperstatica $X=1$

Quadro contributi PLV per iperstatica $X=W_{AB}$

→	$M_x(x)$	$M_o(x)$	θ	$M_x M_o$	$M_x \theta$	$M_x M_x$	$\int M_x(M_o/EJ+\theta)dx$	$\int X M_x M_x / EJ dx$	
AB b	$-1+x/b$	$-2Fx-1/2qx^2$	0	$2Fx-3/2Fx^2/b-1/2qx^3/b$	0	$1-2x/b+x^2/b^2$	$(3/8+0)Fb^2/EJ$	$1/3Xb/EJ$	
BA b	x/b	$5/2Fb-3Fx+1/2qx^2$	0	$5/2Fx-3Fx^2/b+1/2qx^3/b$	0	x^2/b^2			
BC b	0	$-5/2Fb+5/2Fx$	0	0	0	0	0+0	0	
CB b	0	$5/2Fx$	0	0	0	0			
AD 2b	1	0	0	0	0	1	0+0	$2Xb/EJ$	
DA 2b	-1	0	0	0	0	1			
DE b	$1-x/b$	$-1/2Fx$	$-Fb/EJ$	$-1/2Fx+1/2Fx^2/b$	$-Fb/EJ+Fx/EJ$	$1-2x/b+x^2/b^2$	$(-1/12-1/2)Fb^2/EJ$	$1/3Xb/EJ$	
ED b	$-x/b$	$1/2Fb-1/2Fx$	Fb/EJ	$-1/2Fx+1/2Fx^2/b$	$-Fx/EJ$	x^2/b^2			
EF b	0	$-1/2Fb+Fx-1/2qx^2$	0	0	0	0	0+0	0	
FE b	0	$1/2qx^2$	0	0	0	0			
FG b	0	0	0	0	0	0	0+0	0	
GF b	0	0	0	0	0	0			
GC b	0	0	0	0	0	0	0+0	0	
CG b	0	0	0	0	0	0			
HG b	0	$1/2Fx-1/2qx^2$	0	0	0	0	0+0	0	
GH b	0	$-1/2Fx+1/2qx^2$	0	0	0	0			
HB b	0	0	0	0	0	0	0+0	0	
BH b	0	0	0	0	0	0			
HE b	0	0	0	0	0	0	0+0	0	
EH b	0	0	0	0	0	0			
AB	molla asta $-W_{1AB} \setminus (W_{0AB} + XW_{1AB}) / k_{AB}$								$1/4Xb/EJ$
	totali							$-5/24Fb^2/EJ$	$35/12Xb/EJ$
	iperstatica $X=W_{AB}$							$1/14Fb$	

Sviluppi di calcolo iperstatica

$$L_{AB}^{xx} = \int_0^b (1 - 2x/b + x^2/b^2) \cdot 1/EJ \, dx + 1 \cdot 1/4 \cdot b/EJ = \left[x - x^2/b + 1/3 x^3/b^2 \right]_0^b \cdot 1/EJ + 1 \cdot 1/4 \cdot b/EJ$$

$$= (b - b + 1/3 b) \cdot 1/EJ + 1 \cdot 1/4 \cdot b/EJ = 7/12 \cdot b/EJ$$

$$L_{BA}^{xx} = \int_0^b (x^2/b^2) \cdot 1/EJ \, dx + 1 \cdot 1/4 \cdot b/EJ = \left[1/3 x^3/b^2 \right]_0^b \cdot 1/EJ + 1 \cdot 1/4 \cdot b/EJ$$

$$= (1/3 b) \cdot 1/EJ + 1 \cdot 1/4 \cdot b/EJ = 7/12 \cdot b/EJ$$

$$L_{AD}^{xx} = \int_0^{2b} (1) \cdot 1/EJ \, dx = \left[x \right]_0^{2b} \cdot 1/EJ$$

$$= (2b) \cdot 1/EJ = 2 \cdot b/EJ$$

$$L_{DA}^{xx} = \int_0^{2b} (1) \cdot 1/EJ \, dx = \left[x \right]_0^{2b} \cdot 1/EJ$$

$$= (2b) \cdot 1/EJ = 2 \cdot b/EJ$$

$$L_{DE}^{xx} = \int_0^b (1 - 2x/b + x^2/b^2) \cdot 1/EJ \, dx = \left[x - x^2/b + 1/3 x^3/b^2 \right]_0^b \cdot 1/EJ$$

$$= (b - b + 1/3 b) \cdot 1/EJ = 1/3 \cdot b/EJ$$

$$L_{ED}^{xx} = \int_0^b (x^2/b^2) \cdot 1/EJ \, dx = \left[1/3 x^3/b^2 \right]_0^b \cdot 1/EJ$$

$$= (1/3 b) \cdot 1/EJ = 1/3 \cdot b/EJ$$

$$L_{AB}^{xo} = \int_0^b (2x/b - 3/2 x^2/b^2 - 1/2 x^3/b^3) \cdot Fb \cdot 1/EJ \, dx + 1 \cdot 0 \cdot 1/4 \cdot Fb^2/EJ$$

$$= \left[x^2/b - 1/2 x^3/b^2 - 1/8 x^4/b^3 \right]_0^b \cdot Fb \cdot 1/EJ + 1 \cdot 0 \cdot 1/4 \cdot Fb^2/EJ$$

$$= (b - 1/2 b - 1/8 b) \cdot Fb \cdot 1/EJ + 1 \cdot 0 \cdot 1/4 \cdot Fb^2/EJ = 3/8 \cdot Fb^2/EJ$$

$$L_{BA}^{xo} = \int_0^b (5/2 x/b - 3 x^2/b^2 + 1/2 x^3/b^3) \cdot Fb \cdot 1/EJ \, dx + 1 \cdot 0 \cdot 1/4 \cdot Fb^2/EJ$$

$$= \left[5/4 x^2/b - x^3/b^2 + 1/8 x^4/b^3 \right]_0^b \cdot Fb \cdot 1/EJ + 1 \cdot 0 \cdot 1/4 \cdot Fb^2/EJ$$

$$= (5/4 b - b + 1/8 b) \cdot Fb \cdot 1/EJ + 1 \cdot 0 \cdot 1/4 \cdot Fb^2/EJ = 3/8 \cdot Fb^2/EJ$$

$$L_{DE}^{xo} = \int_0^b (-1/2 x/b + 1/2 x^2/b^2) \cdot Fb \cdot 1/EJ \, dx + \int_0^b (-1 + x/b) \cdot \theta \, dx$$

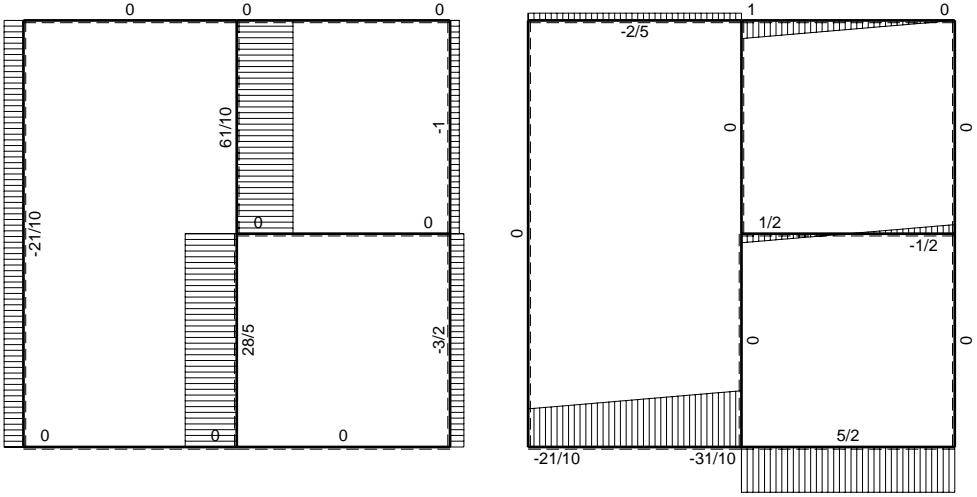
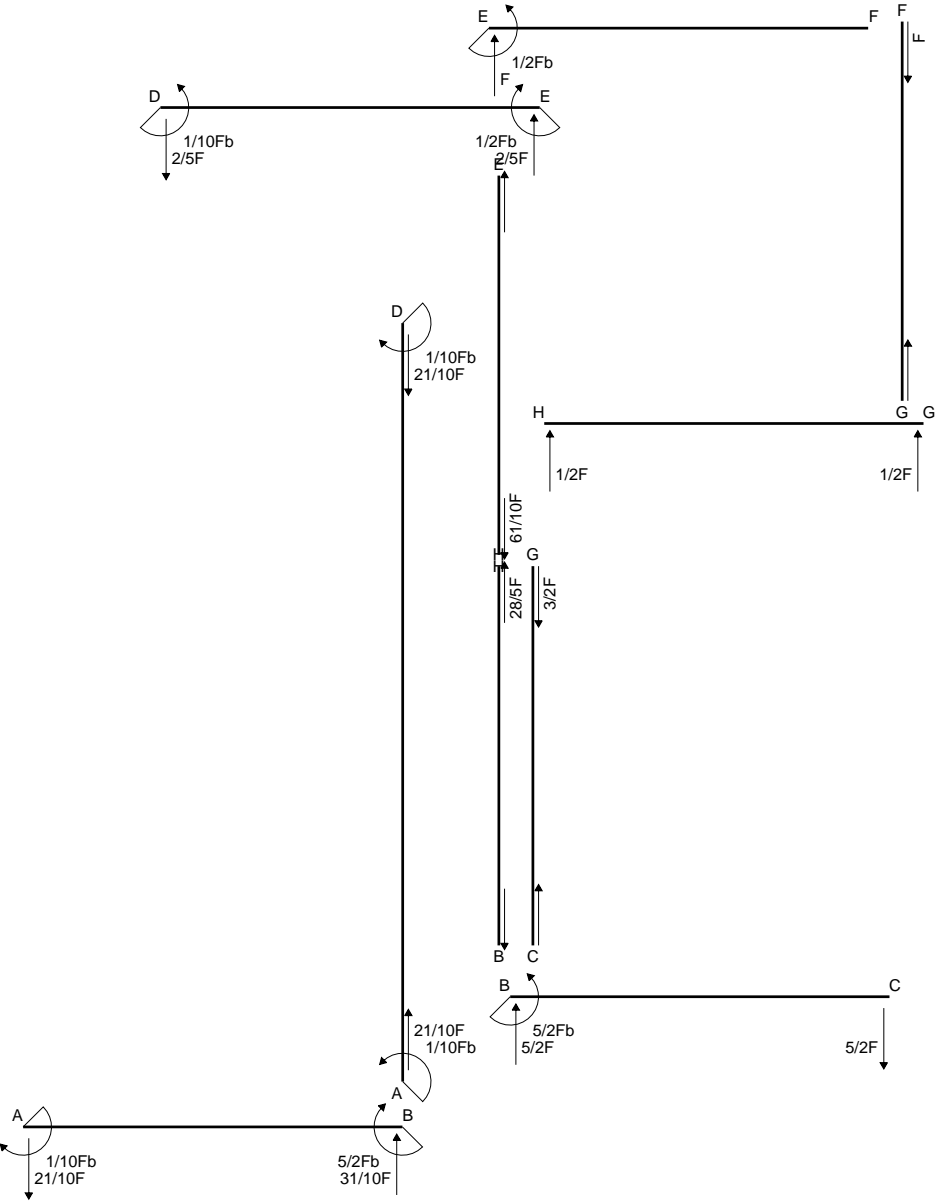
$$= \left[-1/4 x^2/b + 1/6 x^3/b^2 \right]_0^b \cdot Fb \cdot 1/EJ + \left[-x + 1/2 x^2/b \right]_0^b \cdot \theta$$

$$= (-1/4 b + 1/6 b) \cdot Fb \cdot 1/EJ + (-b + 1/2 b) \cdot \theta = -7/12 \cdot Fb^2/EJ$$

$$L_{ED}^{xo} = \int_0^b (-1/2 x/b + 1/2 x^2/b^2) \cdot Fb \cdot 1/EJ \, dx + \int_0^b (x/b) \cdot \theta \, dx$$

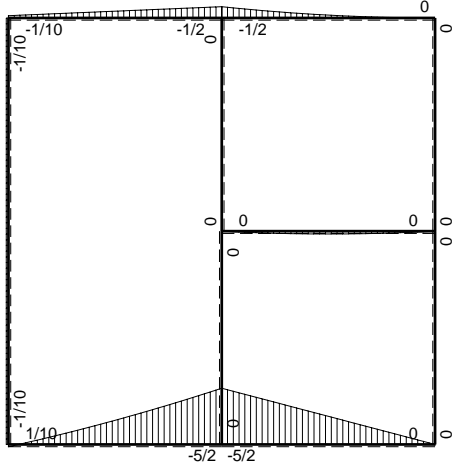
$$= \left[-1/4 x^2/b + 1/6 x^3/b^2 \right]_0^b \cdot Fb \cdot 1/EJ + \left[1/2 x^2/b \right]_0^b \cdot \theta$$

$$= (-1/4 b + 1/6 b) \cdot Fb \cdot 1/EJ + (1/2 b) \cdot \theta = -7/12 \cdot Fb^2/EJ$$

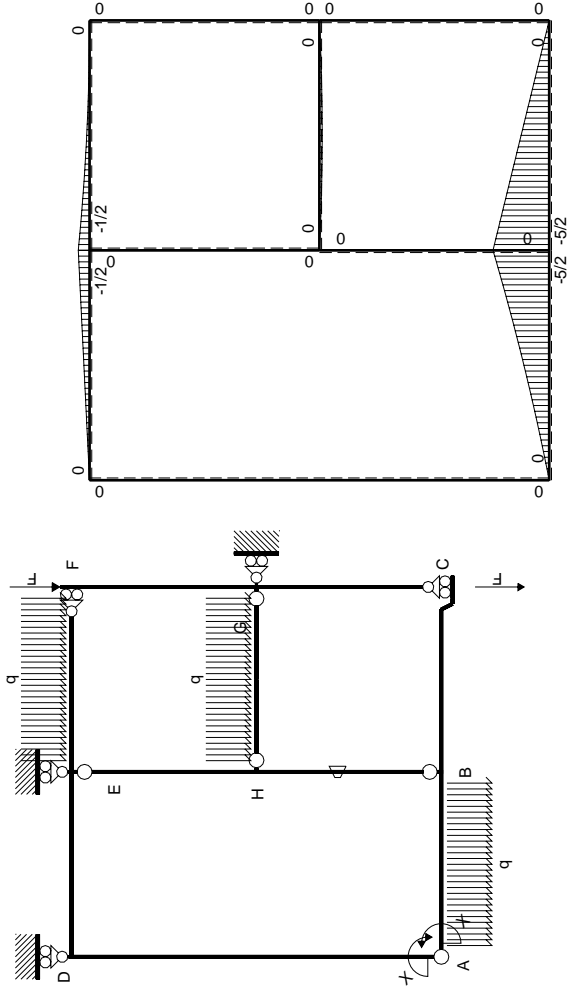


← ⊕ → F

↑ ⊕ ↓ F

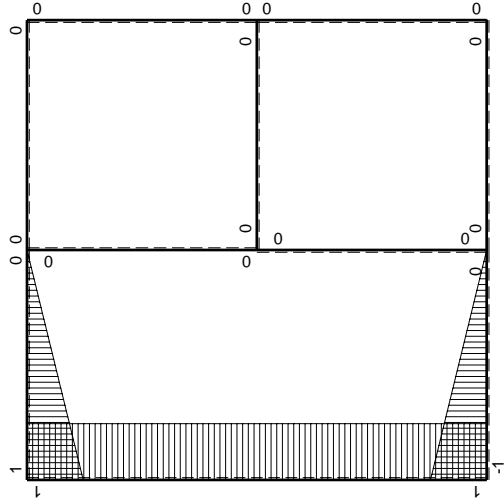


⊕ ⊖ F_b



Schema di calcolo iperstatico

M_0 flessione da carichi assegnati



M_X flessione da iperstatica $X=1$

Quadro contributi PLV per iperstatica $X=W_{AB}$

→	$M_x(x)$	$M_o(x)$	θ	$M_x M_o$	$M_x \theta$	$M_x M_x$	$\int M_x(M_o/EJ+\theta)dx$	$\int X M_x M_x/EJ dx$	
AB b	$-1+x/b$	$-2Fx-1/2qx^2$	0	$2Fx-3/2Fx^2/b-1/2qx^3/b$	0	$1-2x/b+x^2/b^2$	$(3/8+0)Fb^2/EJ$	$1/3Xb/EJ$	
BA b	x/b	$5/2Fb-3Fx+1/2qx^2$	0	$5/2Fx-3Fx^2/b+1/2qx^3/b$	0	x^2/b^2			
BC b	0	$-5/2Fb+5/2Fx$	0	0	0	0	0+0	0	
CB b	0	$5/2Fx$	0	0	0	0			
AD 2b	1	0	0	0	0	1	0+0	$2Xb/EJ$	
DA 2b	-1	0	0	0	0	1			
DE b	$1-x/b$	$-1/2Fx$	0	$-1/2Fx+1/2Fx^2/b$	0	$1-2x/b+x^2/b^2$	$(-1/12+0)Fb^2/EJ$	$1/3Xb/EJ$	
ED b	$-x/b$	$1/2Fb-1/2Fx$	0	$-1/2Fx+1/2Fx^2/b$	0	x^2/b^2			
EF b	0	$-1/2Fb+Fx-1/2qx^2$	0	0	0	0	0+0	0	
FE b	0	$1/2qx^2$	0	0	0	0			
FG b	0	0	0	0	0	0	0+0	0	
GF b	0	0	0	0	0	0			
GC b	0	0	0	0	0	0	0+0	0	
CG b	0	0	0	0	0	0			
HG b	0	$1/2Fx-1/2qx^2$	0	0	0	0	0+0	0	
GH b	0	$-1/2Fx+1/2qx^2$	0	0	0	0			
HB b	0	0	$-Fb/EJ$	0	0	0	0+0	0	
BH b	0	0	Fb/EJ	0	0	0			
HE b	0	0	0	0	0	0	0+0	0	
EH b	0	0	0	0	0	0			
AB	molla asta $-W_{1AB}(W_{0AB}+XW_{1AB})/k_{AB}$								$1/4Xb/EJ$
	totali							$7/24Fb^2/EJ$	$35/12Xb/EJ$
	iperstatica $X=W_{AB}$							$-1/10Fb$	

Sviluppi di calcolo iperstatica

$$L_{AB}^{xx} = \int_0^b (1 - 2x/b + x^2/b^2) \cdot 1/EJ \, dx + 1 \cdot 1/4 \cdot b/EJ = \left[x - x^2/b + 1/3 x^3/b^2 \right]_0^b \cdot 1/EJ + 1 \cdot 1/4 \cdot b/EJ$$

$$= (b - b + 1/3 b) \cdot 1/EJ + 1 \cdot 1/4 \cdot b/EJ = 7/12 \cdot b/EJ$$

$$L_{BA}^{xx} = \int_0^b (x^2/b^2) \cdot 1/EJ \, dx + 1 \cdot 1/4 \cdot b/EJ = \left[1/3 x^3/b^2 \right]_0^b \cdot 1/EJ + 1 \cdot 1/4 \cdot b/EJ$$

$$= (1/3 b) \cdot 1/EJ + 1 \cdot 1/4 \cdot b/EJ = 7/12 \cdot b/EJ$$

$$L_{AD}^{xx} = \int_0^{2b} (1) \cdot 1/EJ \, dx = \left[x \right]_0^{2b} \cdot 1/EJ$$

$$= (2b) \cdot 1/EJ = 2 \cdot b/EJ$$

$$L_{DA}^{xx} = \int_0^{2b} (1) \cdot 1/EJ \, dx = \left[x \right]_0^{2b} \cdot 1/EJ$$

$$= (2b) \cdot 1/EJ = 2 \cdot b/EJ$$

$$L_{DE}^{xx} = \int_0^b (1 - 2x/b + x^2/b^2) \cdot 1/EJ \, dx = \left[x - x^2/b + 1/3 x^3/b^2 \right]_0^b \cdot 1/EJ$$

$$= (b - b + 1/3 b) \cdot 1/EJ = 1/3 \cdot b/EJ$$

$$L_{ED}^{xx} = \int_0^b (x^2/b^2) \cdot 1/EJ \, dx = \left[1/3 x^3/b^2 \right]_0^b \cdot 1/EJ$$

$$= (1/3 b) \cdot 1/EJ = 1/3 \cdot b/EJ$$

$$L_{AB}^{xo} = \int_0^b (2x/b - 3/2 x^2/b^2 - 1/2 x^3/b^3) \cdot Fb \cdot 1/EJ \, dx + 1 \cdot 0 \cdot 1/4 \cdot Fb^2/EJ$$

$$= \left[x^2/b - 1/2 x^3/b^2 - 1/8 x^4/b^3 \right]_0^b \cdot Fb \cdot 1/EJ + 1 \cdot 0 \cdot 1/4 \cdot Fb^2/EJ$$

$$= (b - 1/2 b - 1/8 b) \cdot Fb \cdot 1/EJ + 1 \cdot 0 \cdot 1/4 \cdot Fb^2/EJ = 3/8 \cdot Fb^2/EJ$$

$$L_{BA}^{xo} = \int_0^b (5/2 x/b - 3 x^2/b^2 + 1/2 x^3/b^3) \cdot Fb \cdot 1/EJ \, dx + 1 \cdot 0 \cdot 1/4 \cdot Fb^2/EJ$$

$$= \left[5/4 x^2/b - x^3/b^2 + 1/8 x^4/b^3 \right]_0^b \cdot Fb \cdot 1/EJ + 1 \cdot 0 \cdot 1/4 \cdot Fb^2/EJ$$

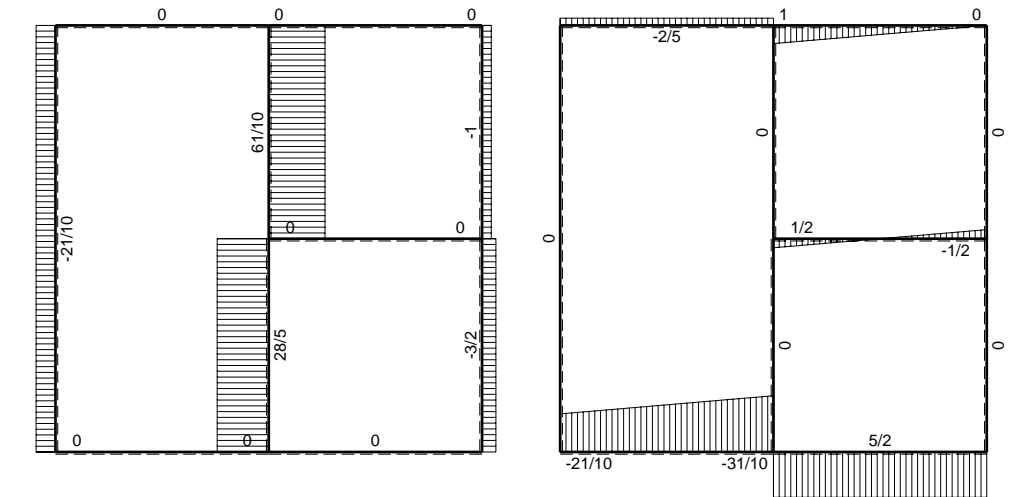
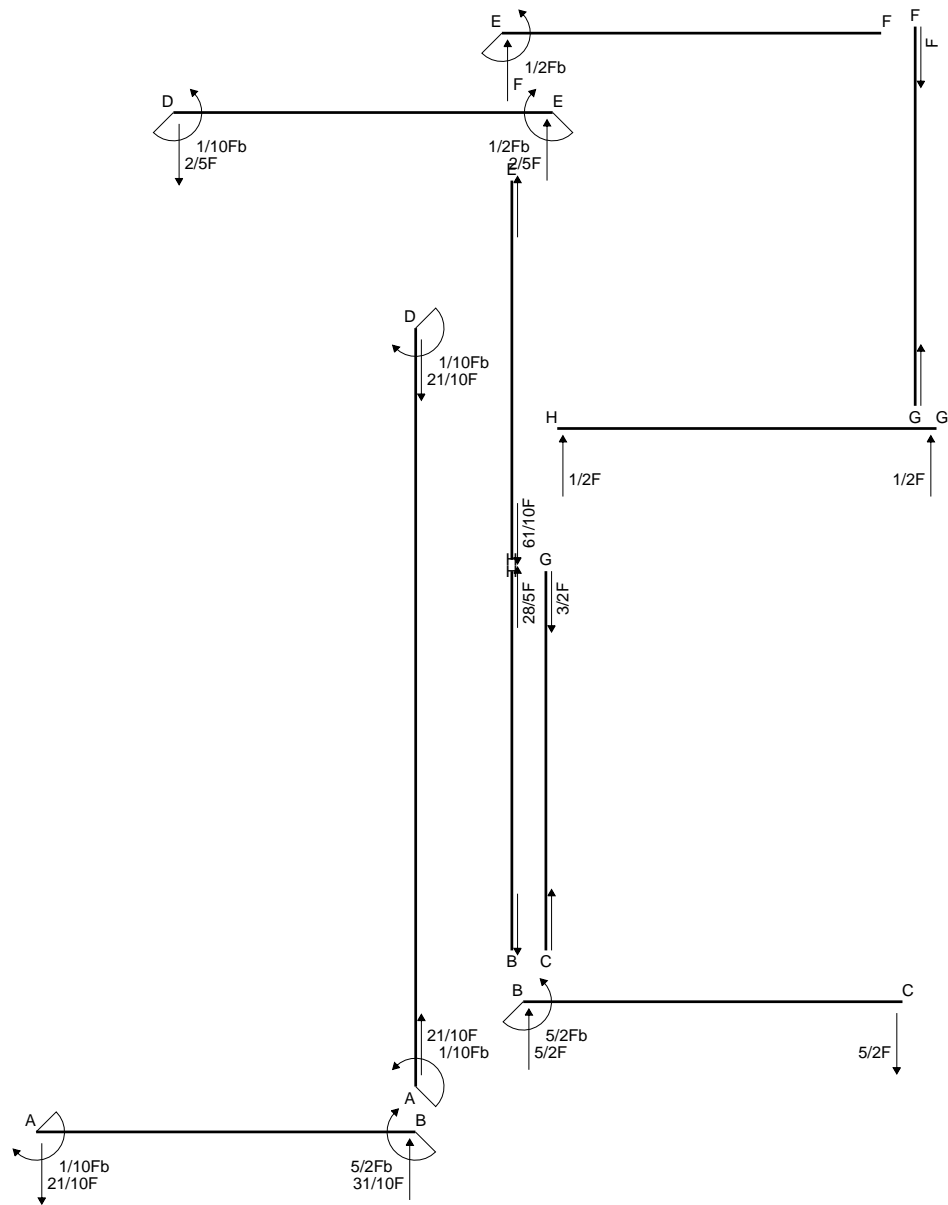
$$= (5/4 b - b + 1/8 b) \cdot Fb \cdot 1/EJ + 1 \cdot 0 \cdot 1/4 \cdot Fb^2/EJ = 3/8 \cdot Fb^2/EJ$$

$$L_{DE}^{xo} = \int_0^b (-1/2 x/b + 1/2 x^2/b^2) \cdot Fb \cdot 1/EJ \, dx = \left[-1/4 x^2/b + 1/6 x^3/b^2 \right]_0^b \cdot Fb \cdot 1/EJ$$

$$= (-1/4 b + 1/6 b) \cdot Fb \cdot 1/EJ = -1/12 \cdot Fb^2/EJ$$

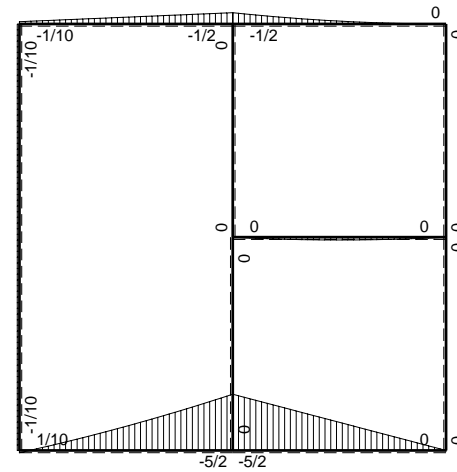
$$L_{ED}^{xo} = \int_0^b (-1/2 x/b + 1/2 x^2/b^2) \cdot Fb \cdot 1/EJ \, dx = \left[-1/4 x^2/b + 1/6 x^3/b^2 \right]_0^b \cdot Fb \cdot 1/EJ$$

$$= (-1/4 b + 1/6 b) \cdot Fb \cdot 1/EJ = -1/12 \cdot Fb^2/EJ$$

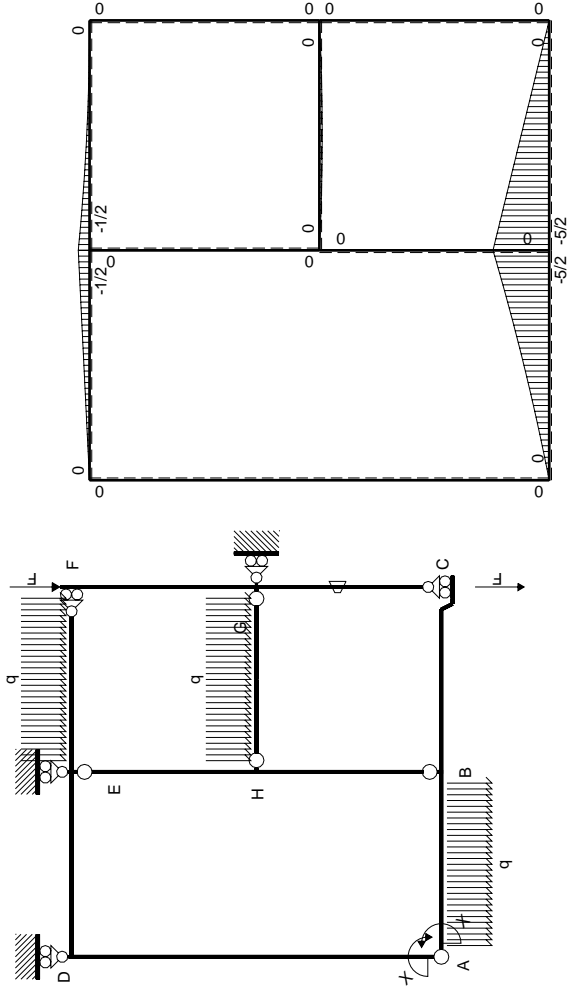


← (+) → F

↑ (+) ↓ Fb

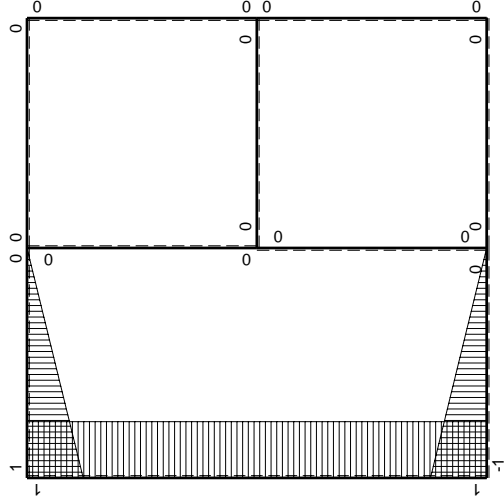


⊕ (+) ⊖ (-) Fb



Schema di calcolo iperstatico

M_0 flessione da carichi assegnati



M_x flessione da iperstatica $X=1$

Quadro contributi PLV per iperstatica $X=W_{AB}$

→	$M_x(x)$	$M_o(x)$	θ	$M_x M_o$	$M_x \theta$	$M_x M_x$	$\int M_x(M_o/EJ+\theta)dx$	$\int X M_x M_x / EJ dx$	
AB b	$-1+x/b$	$-2Fx-1/2qx^2$	0	$2Fx-3/2Fx^2/b-1/2qx^3/b$	0	$1-2x/b+x^2/b^2$	$(3/8+0)Fb^2/EJ$	$1/3Xb/EJ$	
BA b	x/b	$5/2Fb-3Fx+1/2qx^2$	0	$5/2Fx-3Fx^2/b+1/2qx^3/b$	0	x^2/b^2			
BC b	0	$-5/2Fb+5/2Fx$	0	0	0	0	0+0	0	
CB b	0	$5/2Fx$	0	0	0	0			
AD 2b	1	0	0	0	0	1	0+0	$2Xb/EJ$	
DA 2b	-1	0	0	0	0	1			
DE b	$1-x/b$	$-1/2Fx$	0	$-1/2Fx+1/2Fx^2/b$	0	$1-2x/b+x^2/b^2$	$(-1/12+0)Fb^2/EJ$	$1/3Xb/EJ$	
ED b	$-x/b$	$1/2Fb-1/2Fx$	0	$-1/2Fx+1/2Fx^2/b$	0	x^2/b^2			
EF b	0	$-1/2Fb+Fx-1/2qx^2$	0	0	0	0	0+0	0	
FE b	0	$1/2qx^2$	0	0	0	0			
FG b	0	0	0	0	0	0	0+0	0	
GF b	0	0	0	0	0	0			
GC b	0	0	$-Fb/EJ$	0	0	0	0+0	0	
CG b	0	0	Fb/EJ	0	0	0			
HG b	0	$1/2Fx-1/2qx^2$	0	0	0	0	0+0	0	
GH b	0	$-1/2Fx+1/2qx^2$	0	0	0	0			
HB b	0	0	0	0	0	0	0+0	0	
BH b	0	0	0	0	0	0			
HE b	0	0	0	0	0	0	0+0	0	
EH b	0	0	0	0	0	0			
AB	molla asta $-W_{1AB} (W_{0AB} + XW_{1AB}) / k_{AB}$								$1/4Xb/EJ$
	totali							$7/24Fb^2/EJ$	$35/12Xb/EJ$
	iperstatica $X=W_{AB}$							$-1/10Fb$	

Sviluppi di calcolo iperstatica

$$L_{AB}^{xx} = \int_0^b (1 - 2x/b + x^2/b^2) \cdot 1/EJ \, dx + 1 \cdot 1/4 \cdot b/EJ = \left[x - x^2/b + 1/3 x^3/b^2 \right]_0^b \cdot 1/EJ + 1 \cdot 1/4 \cdot b/EJ$$

$$= (b - b + 1/3 b) \cdot 1/EJ + 1 \cdot 1/4 \cdot b/EJ = 7/12 \cdot b/EJ$$

$$L_{BA}^{xx} = \int_0^b (x^2/b^2) \cdot 1/EJ \, dx + 1 \cdot 1/4 \cdot b/EJ = \left[1/3 x^3/b^2 \right]_0^b \cdot 1/EJ + 1 \cdot 1/4 \cdot b/EJ$$

$$= (1/3 b) \cdot 1/EJ + 1 \cdot 1/4 \cdot b/EJ = 7/12 \cdot b/EJ$$

$$L_{AD}^{xx} = \int_0^{2b} (1) \cdot 1/EJ \, dx = \left[x \right]_0^{2b} \cdot 1/EJ$$

$$= (2b) \cdot 1/EJ = 2 \cdot b/EJ$$

$$L_{DA}^{xx} = \int_0^{2b} (1) \cdot 1/EJ \, dx = \left[x \right]_0^{2b} \cdot 1/EJ$$

$$= (2b) \cdot 1/EJ = 2 \cdot b/EJ$$

$$L_{DE}^{xx} = \int_0^b (1 - 2x/b + x^2/b^2) \cdot 1/EJ \, dx = \left[x - x^2/b + 1/3 x^3/b^2 \right]_0^b \cdot 1/EJ$$

$$= (b - b + 1/3 b) \cdot 1/EJ = 1/3 \cdot b/EJ$$

$$L_{ED}^{xx} = \int_0^b (x^2/b^2) \cdot 1/EJ \, dx = \left[1/3 x^3/b^2 \right]_0^b \cdot 1/EJ$$

$$= (1/3 b) \cdot 1/EJ = 1/3 \cdot b/EJ$$

$$L_{AB}^{xo} = \int_0^b (2x/b - 3/2 x^2/b^2 - 1/2 x^3/b^3) \cdot Fb \cdot 1/EJ \, dx + 1 \cdot 0 \cdot 1/4 \cdot Fb^2/EJ$$

$$= \left[x^2/b - 1/2 x^3/b^2 - 1/8 x^4/b^3 \right]_0^b \cdot Fb \cdot 1/EJ + 1 \cdot 0 \cdot 1/4 \cdot Fb^2/EJ$$

$$= (b - 1/2 b - 1/8 b) \cdot Fb \cdot 1/EJ + 1 \cdot 0 \cdot 1/4 \cdot Fb^2/EJ = 3/8 \cdot Fb^2/EJ$$

$$L_{BA}^{xo} = \int_0^b (5/2 x/b - 3 x^2/b^2 + 1/2 x^3/b^3) \cdot Fb \cdot 1/EJ \, dx + 1 \cdot 0 \cdot 1/4 \cdot Fb^2/EJ$$

$$= \left[5/4 x^2/b - x^3/b^2 + 1/8 x^4/b^3 \right]_0^b \cdot Fb \cdot 1/EJ + 1 \cdot 0 \cdot 1/4 \cdot Fb^2/EJ$$

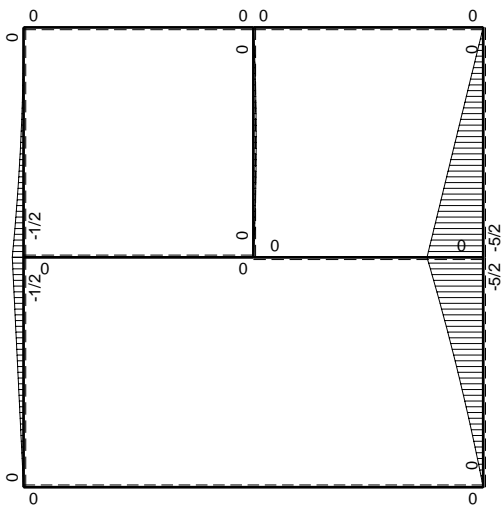
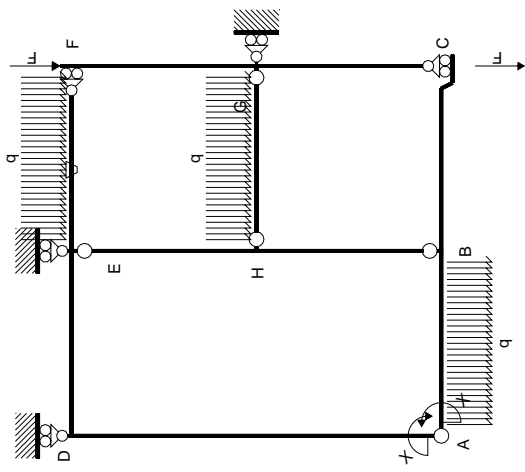
$$= (5/4 b - b + 1/8 b) \cdot Fb \cdot 1/EJ + 1 \cdot 0 \cdot 1/4 \cdot Fb^2/EJ = 3/8 \cdot Fb^2/EJ$$

$$L_{DE}^{xo} = \int_0^b (-1/2 x/b + 1/2 x^2/b^2) \cdot Fb \cdot 1/EJ \, dx = \left[-1/4 x^2/b + 1/6 x^3/b^2 \right]_0^b \cdot Fb \cdot 1/EJ$$

$$= (-1/4 b + 1/6 b) \cdot Fb \cdot 1/EJ = -1/12 \cdot Fb^2/EJ$$

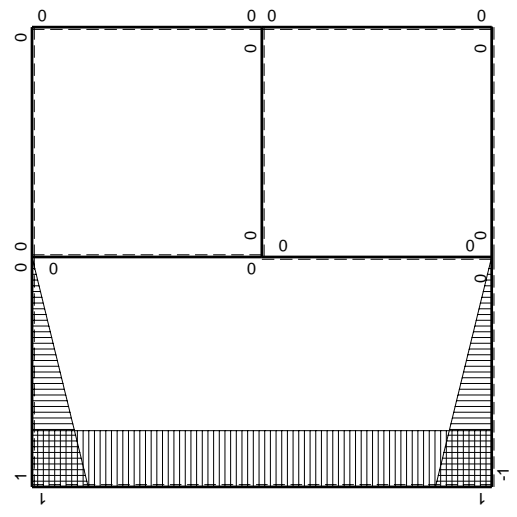
$$L_{ED}^{xo} = \int_0^b (-1/2 x/b + 1/2 x^2/b^2) \cdot Fb \cdot 1/EJ \, dx = \left[-1/4 x^2/b + 1/6 x^3/b^2 \right]_0^b \cdot Fb \cdot 1/EJ$$

$$= (-1/4 b + 1/6 b) \cdot Fb \cdot 1/EJ = -1/12 \cdot Fb^2/EJ$$



Schema di calcolo iperstatico

M_0 flessione da carichi assegnati



M_x flessione da iperstatica $X=1$

Quadro contributi PLV per iperstatica $X=W_{AB}$

→	$M_x(x)$	$M_o(x)$	θ	$M_x M_o$	$M_x \theta$	$M_x M_x$	$\int M_x(M_o/EJ+\theta)dx$	$\int X M_x M_x/EJ dx$	
AB b	$-1+x/b$	$-2Fx-1/2qx^2$	0	$2Fx-3/2Fx^2/b-1/2qx^3/b$	0	$1-2x/b+x^2/b^2$	$(3/8+0)Fb^2/EJ$	$1/3Xb/EJ$	
BA b	x/b	$5/2Fb-3Fx+1/2qx^2$	0	$5/2Fx-3Fx^2/b+1/2qx^3/b$	0	x^2/b^2			
BC b	0	$-5/2Fb+5/2Fx$	0	0	0	0	0+0	0	
CB b	0	$5/2Fx$	0	0	0	0			
AD 2b	1	0	0	0	0	1	0+0	$2Xb/EJ$	
DA 2b	-1	0	0	0	0	1			
DE b	$1-x/b$	$-1/2Fx$	0	$-1/2Fx+1/2Fx^2/b$	0	$1-2x/b+x^2/b^2$	$(-1/12+0)Fb^2/EJ$	$1/3Xb/EJ$	
ED b	$-x/b$	$1/2Fb-1/2Fx$	0	$-1/2Fx+1/2Fx^2/b$	0	x^2/b^2			
EF b	0	$-1/2Fb+Fx-1/2qx^2$	$-Fb/EJ$	0	0	0	0+0	0	
FE b	0	$1/2qx^2$	Fb/EJ	0	0	0			
FG b	0	0	0	0	0	0	0+0	0	
GF b	0	0	0	0	0	0			
GC b	0	0	0	0	0	0	0+0	0	
CG b	0	0	0	0	0	0			
HG b	0	$1/2Fx-1/2qx^2$	0	0	0	0	0+0	0	
GH b	0	$-1/2Fx+1/2qx^2$	0	0	0	0			
HB b	0	0	0	0	0	0	0+0	0	
BH b	0	0	0	0	0	0			
HE b	0	0	0	0	0	0	0+0	0	
EH b	0	0	0	0	0	0			
AB	molla asta $-W_{1AB}(W_{0AB}+XW_{1AB})/k_{AB}$								$1/4Xb/EJ$
	totali							$7/24Fb^2/EJ$	$35/12Xb/EJ$
	iperstatica $X=W_{AB}$							$-1/10Fb$	

Sviluppi di calcolo iperstatica

$$L_{AB}^{xx} = \int_0^b (1 - 2x/b + x^2/b^2) \cdot 1/EJ \, dx + 1 \cdot 1/4 \cdot b/EJ = \left[x - x^2/b + 1/3 x^3/b^2 \right]_0^b \cdot 1/EJ + 1 \cdot 1/4 \cdot b/EJ$$

$$= (b - b + 1/3 b) \cdot 1/EJ + 1 \cdot 1/4 \cdot b/EJ = 7/12 \cdot b/EJ$$

$$L_{BA}^{xx} = \int_0^b (x^2/b^2) \cdot 1/EJ \, dx + 1 \cdot 1/4 \cdot b/EJ = \left[1/3 x^3/b^2 \right]_0^b \cdot 1/EJ + 1 \cdot 1/4 \cdot b/EJ$$

$$= (1/3 b) \cdot 1/EJ + 1 \cdot 1/4 \cdot b/EJ = 7/12 \cdot b/EJ$$

$$L_{AD}^{xx} = \int_0^{2b} (1) \cdot 1/EJ \, dx = \left[x \right]_0^{2b} \cdot 1/EJ$$

$$= (2b) \cdot 1/EJ = 2 \cdot b/EJ$$

$$L_{DA}^{xx} = \int_0^{2b} (1) \cdot 1/EJ \, dx = \left[x \right]_0^{2b} \cdot 1/EJ$$

$$= (2b) \cdot 1/EJ = 2 \cdot b/EJ$$

$$L_{DE}^{xx} = \int_0^b (1 - 2x/b + x^2/b^2) \cdot 1/EJ \, dx = \left[x - x^2/b + 1/3 x^3/b^2 \right]_0^b \cdot 1/EJ$$

$$= (b - b + 1/3 b) \cdot 1/EJ = 1/3 \cdot b/EJ$$

$$L_{ED}^{xx} = \int_0^b (x^2/b^2) \cdot 1/EJ \, dx = \left[1/3 x^3/b^2 \right]_0^b \cdot 1/EJ$$

$$= (1/3 b) \cdot 1/EJ = 1/3 \cdot b/EJ$$

$$L_{AB}^{xo} = \int_0^b (2x/b - 3/2 x^2/b^2 - 1/2 x^3/b^3) \cdot Fb \cdot 1/EJ \, dx + 1 \cdot 0 \cdot 1/4 \cdot Fb^2/EJ$$

$$= \left[x^2/b - 1/2 x^3/b^2 - 1/8 x^4/b^3 \right]_0^b \cdot Fb \cdot 1/EJ + 1 \cdot 0 \cdot 1/4 \cdot Fb^2/EJ$$

$$= (b - 1/2 b - 1/8 b) \cdot Fb \cdot 1/EJ + 1 \cdot 0 \cdot 1/4 \cdot Fb^2/EJ = 3/8 \cdot Fb^2/EJ$$

$$L_{BA}^{xo} = \int_0^b (5/2 x/b - 3 x^2/b^2 + 1/2 x^3/b^3) \cdot Fb \cdot 1/EJ \, dx + 1 \cdot 0 \cdot 1/4 \cdot Fb^2/EJ$$

$$= \left[5/4 x^2/b - x^3/b^2 + 1/8 x^4/b^3 \right]_0^b \cdot Fb \cdot 1/EJ + 1 \cdot 0 \cdot 1/4 \cdot Fb^2/EJ$$

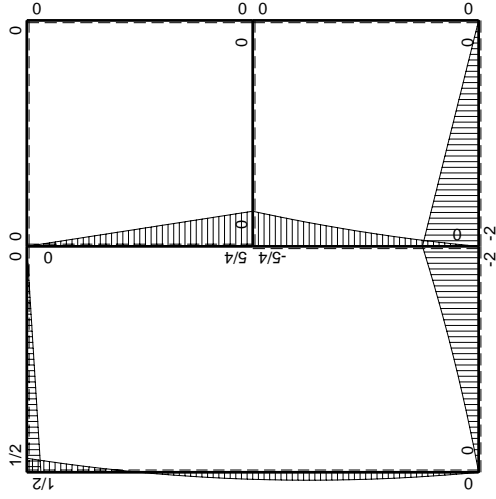
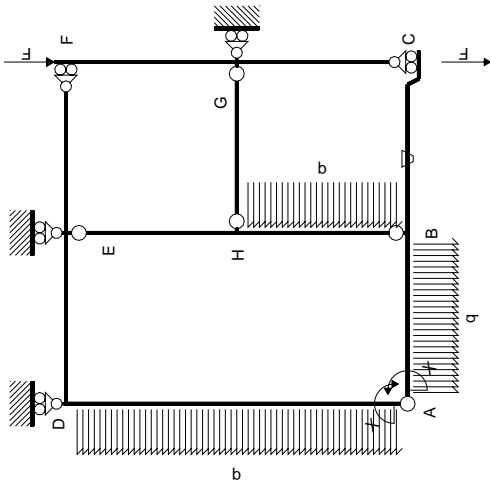
$$= (5/4 b - b + 1/8 b) \cdot Fb \cdot 1/EJ + 1 \cdot 0 \cdot 1/4 \cdot Fb^2/EJ = 3/8 \cdot Fb^2/EJ$$

$$L_{DE}^{xo} = \int_0^b (-1/2 x/b + 1/2 x^2/b^2) \cdot Fb \cdot 1/EJ \, dx = \left[-1/4 x^2/b + 1/6 x^3/b^2 \right]_0^b \cdot Fb \cdot 1/EJ$$

$$= (-1/4 b + 1/6 b) \cdot Fb \cdot 1/EJ = -1/12 \cdot Fb^2/EJ$$

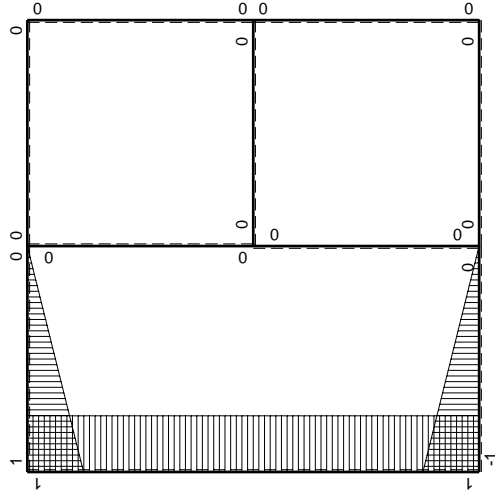
$$L_{ED}^{xo} = \int_0^b (-1/2 x/b + 1/2 x^2/b^2) \cdot Fb \cdot 1/EJ \, dx = \left[-1/4 x^2/b + 1/6 x^3/b^2 \right]_0^b \cdot Fb \cdot 1/EJ$$

$$= (-1/4 b + 1/6 b) \cdot Fb \cdot 1/EJ = -1/12 \cdot Fb^2/EJ$$



Schema di calcolo iperstatico

M_0 flessione da carichi assegnati



M_x flessione da iperstatica $X=1$

Quadro contributi PLV per iperstatica $X=W_{AB}$

→	$M_x(x)$	$M_o(x)$	θ	$M_x M_o$	$M_x \theta$	$M_x M_x$	$\int M_x(M_o/EJ+\theta)dx$	$\int X M_x M_x/EJ dx$
AB b	$-1+x/b$	$-3/2Fx-1/2qx^2$	0	$3/2Fx-Fx^2/b-1/2qx^3/b$	0	$1-2x/b+x^2/b^2$	$(7/24+0)Fb^2/EJ$	$1/3Xb/EJ$
BA b	x/b	$2Fb-5/2Fx+1/2qx^2$	0	$2Fx-5/2Fx^2/b+1/2qx^3/b$	0	x^2/b^2		
BC b	0	$-2Fb+2Fx$	$-Fb/EJ$	0	0	0	0+0	0
CB b	0	$2Fx$	Fb/EJ	0	0	0		
AD 2b	1	$-3/4Fx+1/2qx^2$	0	$-3/4Fx+1/2Fx^2/b$	0	1	$(-1/6+0)Fb^2/EJ$	$2Xb/EJ$
DA 2b	-1	$-1/2Fb+5/4Fx-1/2qx^2$	0	$1/2Fb-5/4Fx+1/2Fx^2/b$	0	1		
DE b	$1-x/b$	$1/2Fb-1/2Fx$	0	$1/2Fb-Fx+1/2Fx^2/b$	0	$1-2x/b+x^2/b^2$	$(1/6+0)Fb^2/EJ$	$1/3Xb/EJ$
ED b	$-x/b$	$-1/2Fx$	0	$1/2Fx^2/b$	0	x^2/b^2		
EF b	0	0	0	0	0	0	0+0	0
FE b	0	0	0	0	0	0		
FG b	0	0	0	0	0	0	0+0	0
GF b	0	0	0	0	0	0		
GC b	0	0	0	0	0	0	0+0	0
CG b	0	0	0	0	0	0		
HG b	0	0	0	0	0	0	0+0	0
GH b	0	0	0	0	0	0		
HB b	0	$-5/4Fb+7/4Fx-1/2qx^2$	0	0	0	0	0+0	0
BH b	0	$3/4Fx+1/2qx^2$	0	0	0	0		
HE b	0	$5/4Fb-5/4Fx$	0	0	0	0	0+0	0
EH b	0	$-5/4Fx$	0	0	0	0		
AB	molla asta $-W_{1AB}(W_{0AB}+XW_{1AB})/k_{AB}$							$1/4Xb/EJ$
	totali						$7/24Fb^2/EJ$	$35/12Xb/EJ$
	iperstatica $X=W_{AB}$						$-1/10Fb$	

Sviluppi di calcolo iperstatica

$$L_{AB}^{xx} = \int_0^b (1 - 2x/b + x^2/b^2) \cdot 1/EJ \, dx + 1 \cdot 1/4 \cdot b/EJ = \left[x - x^2/b + 1/3 x^3/b^2 \right]_0^b \cdot 1/EJ + 1 \cdot 1/4 \cdot b/EJ$$

$$= (b - b + 1/3 b) \cdot 1/EJ + 1 \cdot 1/4 \cdot b/EJ = 7/12 \cdot b/EJ$$

$$L_{BA}^{xx} = \int_0^b (x^2/b^2) \cdot 1/EJ \, dx + 1 \cdot 1/4 \cdot b/EJ = \left[1/3 x^3/b^2 \right]_0^b \cdot 1/EJ + 1 \cdot 1/4 \cdot b/EJ$$

$$= (1/3 b) \cdot 1/EJ + 1 \cdot 1/4 \cdot b/EJ = 7/12 \cdot b/EJ$$

$$L_{AD}^{xx} = \int_0^{2b} (1) \cdot 1/EJ \, dx = \left[x \right]_0^{2b} \cdot 1/EJ$$

$$= (2b) \cdot 1/EJ = 2 \cdot b/EJ$$

$$L_{DA}^{xx} = \int_0^{2b} (1) \cdot 1/EJ \, dx = \left[x \right]_0^{2b} \cdot 1/EJ$$

$$= (2b) \cdot 1/EJ = 2 \cdot b/EJ$$

$$L_{DE}^{xx} = \int_0^b (1 - 2x/b + x^2/b^2) \cdot 1/EJ \, dx = \left[x - x^2/b + 1/3 x^3/b^2 \right]_0^b \cdot 1/EJ$$

$$= (b - b + 1/3 b) \cdot 1/EJ = 1/3 \cdot b/EJ$$

$$L_{ED}^{xx} = \int_0^b (x^2/b^2) \cdot 1/EJ \, dx = \left[1/3 x^3/b^2 \right]_0^b \cdot 1/EJ$$

$$= (1/3 b) \cdot 1/EJ = 1/3 \cdot b/EJ$$

$$L_{AB}^{xo} = \int_0^b (3/2 x/b - x^2/b^2 - 1/2 x^3/b^3) \cdot Fb \cdot 1/EJ \, dx + 1 \cdot 0 \cdot 1/4 \cdot Fb^2/EJ$$

$$= \left[3/4 x^2/b - 1/3 x^3/b^2 - 1/8 x^4/b^3 \right]_0^b \cdot Fb \cdot 1/EJ + 1 \cdot 0 \cdot 1/4 \cdot Fb^2/EJ$$

$$= (3/4 b - 1/3 b - 1/8 b) \cdot Fb \cdot 1/EJ + 1 \cdot 0 \cdot 1/4 \cdot Fb^2/EJ = 7/24 \cdot Fb^2/EJ$$

$$L_{BA}^{xo} = \int_0^b (2x/b - 5/2 x^2/b^2 + 1/2 x^3/b^3) \cdot Fb \cdot 1/EJ \, dx + 1 \cdot 0 \cdot 1/4 \cdot Fb^2/EJ$$

$$= \left[x^2/b - 5/6 x^3/b^2 + 1/8 x^4/b^3 \right]_0^b \cdot Fb \cdot 1/EJ + 1 \cdot 0 \cdot 1/4 \cdot Fb^2/EJ$$

$$= (b - 5/6 b + 1/8 b) \cdot Fb \cdot 1/EJ + 1 \cdot 0 \cdot 1/4 \cdot Fb^2/EJ = 7/24 \cdot Fb^2/EJ$$

$$L_{AD}^{xo} = \int_0^{2b} (-3/4 x/b + 1/2 x^2/b^2) \cdot Fb \cdot 1/EJ \, dx = \left[-3/8 x^2/b + 1/6 x^3/b^2 \right]_0^{2b} \cdot Fb \cdot 1/EJ$$

$$= (-3/2 b + 4/3 b) \cdot Fb \cdot 1/EJ = -1/6 \cdot Fb^2/EJ$$

$$L_{DA}^{xo} = \int_0^{2b} (1/2 - 5/4 x/b + 1/2 x^2/b^2) \cdot Fb \cdot 1/EJ \, dx = \left[1/2 x - 5/8 x^2/b + 1/6 x^3/b^2 \right]_0^{2b} \cdot Fb \cdot 1/EJ$$

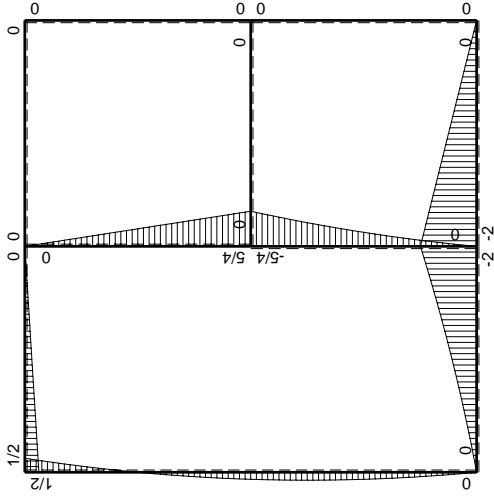
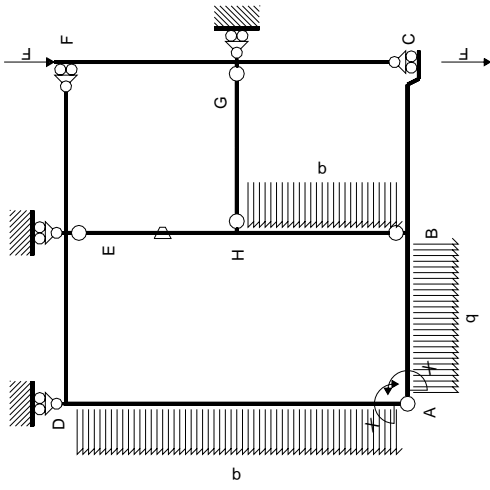
$$= (b - 5/2 b + 4/3 b) \cdot Fb \cdot 1/EJ = -1/6 \cdot Fb^2/EJ$$

$$L_{DE}^{xo} = \int_0^b (1/2 - x/b + 1/2 x^2/b^2) \cdot Fb \cdot 1/EJ \, dx = \left[1/2 x - 1/2 x^2/b + 1/6 x^3/b^2 \right]_0^b \cdot Fb \cdot 1/EJ$$

$$= (1/2 b - 1/2 b + 1/6 b) \cdot Fb \cdot 1/EJ = 1/6 \cdot Fb^2/EJ$$

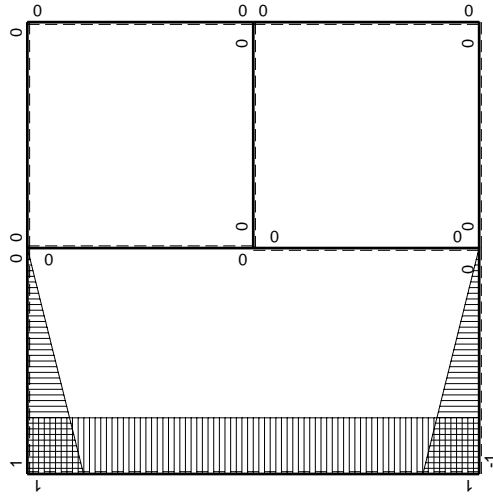
$$L_{ED}^{xo} = \int_0^b (1/2 x^2/b^2) \cdot Fb \cdot 1/EJ \, dx = \left[1/6 x^3/b^2 \right]_0^b \cdot Fb \cdot 1/EJ$$

$$= (1/6 b) \cdot Fb \cdot 1/EJ = 1/6 \cdot Fb^2/EJ$$



Schema di calcolo iperstatico

M_0 flessione da carichi assegnati



M_x flessione da iperstatica X=1

Quadro contributi PLV per iperstatica $X=W_{AB}$

→	$M_x(x)$	$M_o(x)$	θ	$M_x M_o$	$M_x \theta$	$M_x M_x$	$\int M_x(M_o/EJ+\theta)dx$	$\int X M_x M_x/EJdx$
AB b	$-1+x/b$	$-3/2Fx-1/2qx^2$	0	$3/2Fx-Fx^2/b-1/2qx^3/b$	0	$1-2x/b+x^2/b^2$	$(7/24+0)Fb^2/EJ$	$1/3Xb/EJ$
BA b	x/b	$2Fb-5/2Fx+1/2qx^2$	0	$2Fx-5/2Fx^2/b+1/2qx^3/b$	0	x^2/b^2		
BC b	0	$-2Fb+2Fx$	0	0	0	0	0+0	0
CB b	0	$2Fx$	0	0	0	0		
AD 2b	1	$-3/4Fx+1/2qx^2$	0	$-3/4Fx+1/2Fx^2/b$	0	1	$(-1/6+0)Fb^2/EJ$	$2Xb/EJ$
DA 2b	-1	$-1/2Fb+5/4Fx-1/2qx^2$	0	$1/2Fb-5/4Fx+1/2Fx^2/b$	0	1		
DE b	$1-x/b$	$1/2Fb-1/2Fx$	0	$1/2Fb-Fx+1/2Fx^2/b$	0	$1-2x/b+x^2/b^2$	$(1/6+0)Fb^2/EJ$	$1/3Xb/EJ$
ED b	$-x/b$	$-1/2Fx$	0	$1/2Fx^2/b$	0	x^2/b^2		
EF b	0	0	0	0	0	0	0+0	0
FE b	0	0	0	0	0	0		
FG b	0	0	0	0	0	0	0+0	0
GF b	0	0	0	0	0	0		
GC b	0	0	0	0	0	0	0+0	0
CG b	0	0	0	0	0	0		
HG b	0	0	0	0	0	0	0+0	0
GH b	0	0	0	0	0	0		
HB b	0	$-5/4Fb+7/4Fx-1/2qx^2$	0	0	0	0	0+0	0
BH b	0	$3/4Fx+1/2qx^2$	0	0	0	0		
HE b	0	$5/4Fb-5/4Fx$	$-Fb/EJ$	0	0	0	0+0	0
EH b	0	$-5/4Fx$	Fb/EJ	0	0	0		
AB	molla asta $-W_{1AB}(W_{0AB}+XW_{1AB})/k_{AB}$							$1/4Xb/EJ$
	totali						$7/24Fb^2/EJ$	$35/12Xb/EJ$
	iperstatica $X=W_{AB}$						$-1/10Fb$	

Sviluppi di calcolo iperstatica

$$L_{AB}^{xx} = \int_0^b (1 - 2x/b + x^2/b^2) \frac{1}{EJ} dx + 1 \cdot \frac{1}{4} \frac{b}{EJ} = \left[x - x^2/b + 1/3 x^3/b^2 \right]_0^b \frac{1}{EJ} + 1 \cdot \frac{1}{4} \frac{b}{EJ}$$

$$= (b - b + 1/3 b) \frac{1}{EJ} + 1 \cdot \frac{1}{4} \frac{b}{EJ} = 7/12 \frac{b}{EJ}$$

$$L_{BA}^{xx} = \int_0^b (x^2/b^2) \frac{1}{EJ} dx + 1 \cdot \frac{1}{4} \frac{b}{EJ} = \left[1/3 x^3/b^2 \right]_0^b \frac{1}{EJ} + 1 \cdot \frac{1}{4} \frac{b}{EJ}$$

$$= (1/3 b) \frac{1}{EJ} + 1 \cdot \frac{1}{4} \frac{b}{EJ} = 7/12 \frac{b}{EJ}$$

$$L_{AD}^{xx} = \int_0^{2b} (1) \frac{1}{EJ} dx = \left[x \right]_0^{2b} \frac{1}{EJ}$$

$$= (2b) \frac{1}{EJ} = 2 \frac{b}{EJ}$$

$$L_{DA}^{xx} = \int_0^{2b} (1) \frac{1}{EJ} dx = \left[x \right]_0^{2b} \frac{1}{EJ}$$

$$= (2b) \frac{1}{EJ} = 2 \frac{b}{EJ}$$

$$L_{DE}^{xx} = \int_0^b (1 - 2x/b + x^2/b^2) \frac{1}{EJ} dx = \left[x - x^2/b + 1/3 x^3/b^2 \right]_0^b \frac{1}{EJ}$$

$$= (b - b + 1/3 b) \frac{1}{EJ} = 1/3 \frac{b}{EJ}$$

$$L_{ED}^{xx} = \int_0^b (x^2/b^2) \frac{1}{EJ} dx = \left[1/3 x^3/b^2 \right]_0^b \frac{1}{EJ}$$

$$= (1/3 b) \frac{1}{EJ} = 1/3 \frac{b}{EJ}$$

$$L_{AB}^{xo} = \int_0^b (3/2 x/b - x^2/b^2 - 1/2 x^3/b^3) Fb \frac{1}{EJ} dx + 1 \cdot 0 \cdot \frac{1}{4} \frac{Fb^2}{EJ}$$

$$= \left[3/4 x^2/b - 1/3 x^3/b^2 - 1/8 x^4/b^3 \right]_0^b Fb \frac{1}{EJ} + 1 \cdot 0 \cdot \frac{1}{4} \frac{Fb^2}{EJ}$$

$$= (3/4 b - 1/3 b - 1/8 b) Fb \frac{1}{EJ} + 1 \cdot 0 \cdot \frac{1}{4} \frac{Fb^2}{EJ} = 7/24 \frac{Fb^2}{EJ}$$

$$L_{BA}^{xo} = \int_0^b (2x/b - 5/2 x^2/b^2 + 1/2 x^3/b^3) Fb \frac{1}{EJ} dx + 1 \cdot 0 \cdot \frac{1}{4} \frac{Fb^2}{EJ}$$

$$= \left[x^2/b - 5/6 x^3/b^2 + 1/8 x^4/b^3 \right]_0^b Fb \frac{1}{EJ} + 1 \cdot 0 \cdot \frac{1}{4} \frac{Fb^2}{EJ}$$

$$= (b - 5/6 b + 1/8 b) Fb \frac{1}{EJ} + 1 \cdot 0 \cdot \frac{1}{4} \frac{Fb^2}{EJ} = 7/24 \frac{Fb^2}{EJ}$$

$$L_{AD}^{xo} = \int_0^{2b} (-3/4 x/b + 1/2 x^2/b^2) Fb \frac{1}{EJ} dx = \left[-3/8 x^2/b + 1/6 x^3/b^2 \right]_0^{2b} Fb \frac{1}{EJ}$$

$$= (-3/2 b + 4/3 b) Fb \frac{1}{EJ} = -1/6 \frac{Fb^2}{EJ}$$

$$L_{DA}^{xo} = \int_0^{2b} (1/2 - 5/4 x/b + 1/2 x^2/b^2) Fb \frac{1}{EJ} dx = \left[1/2 x - 5/8 x^2/b + 1/6 x^3/b^2 \right]_0^{2b} Fb \frac{1}{EJ}$$

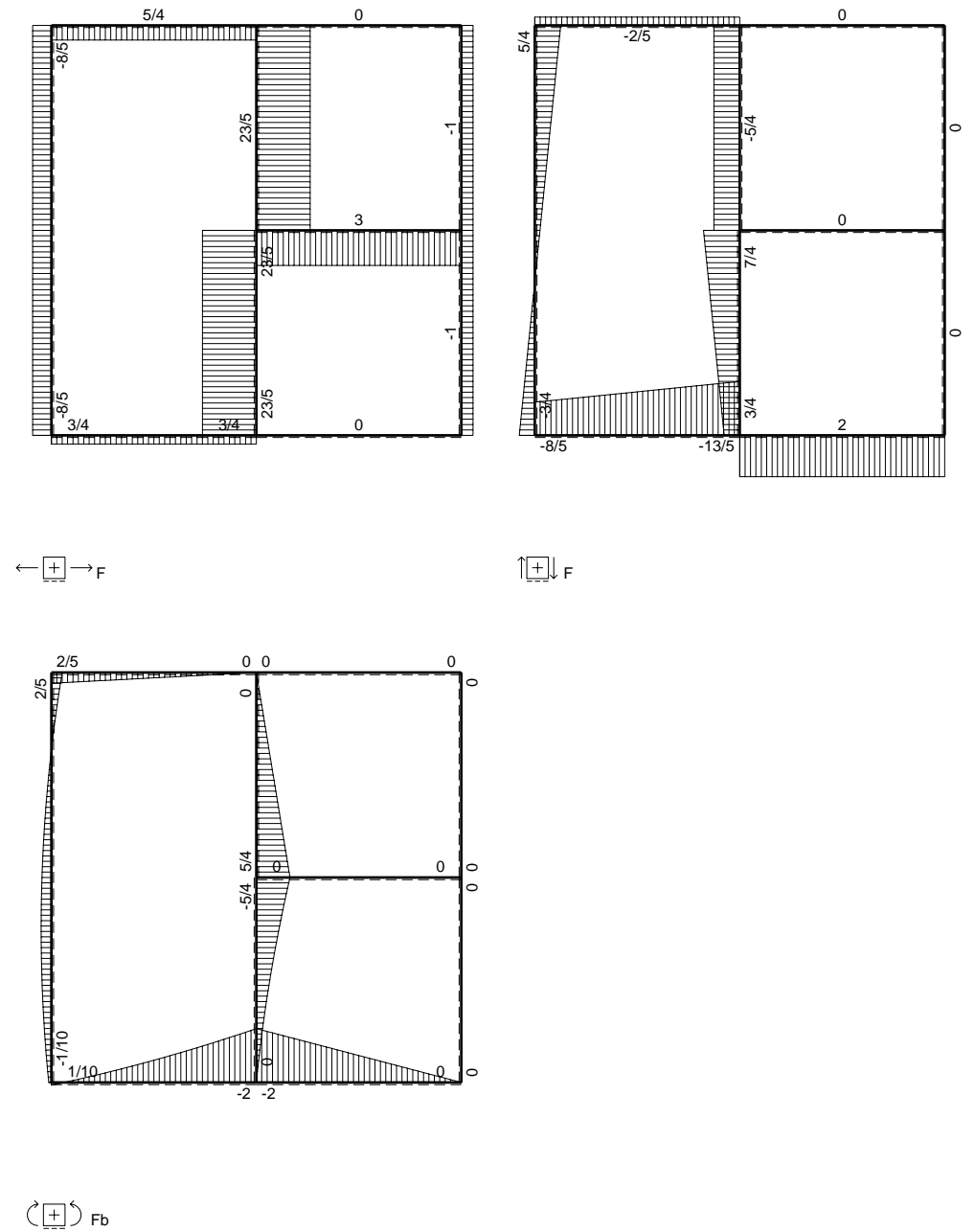
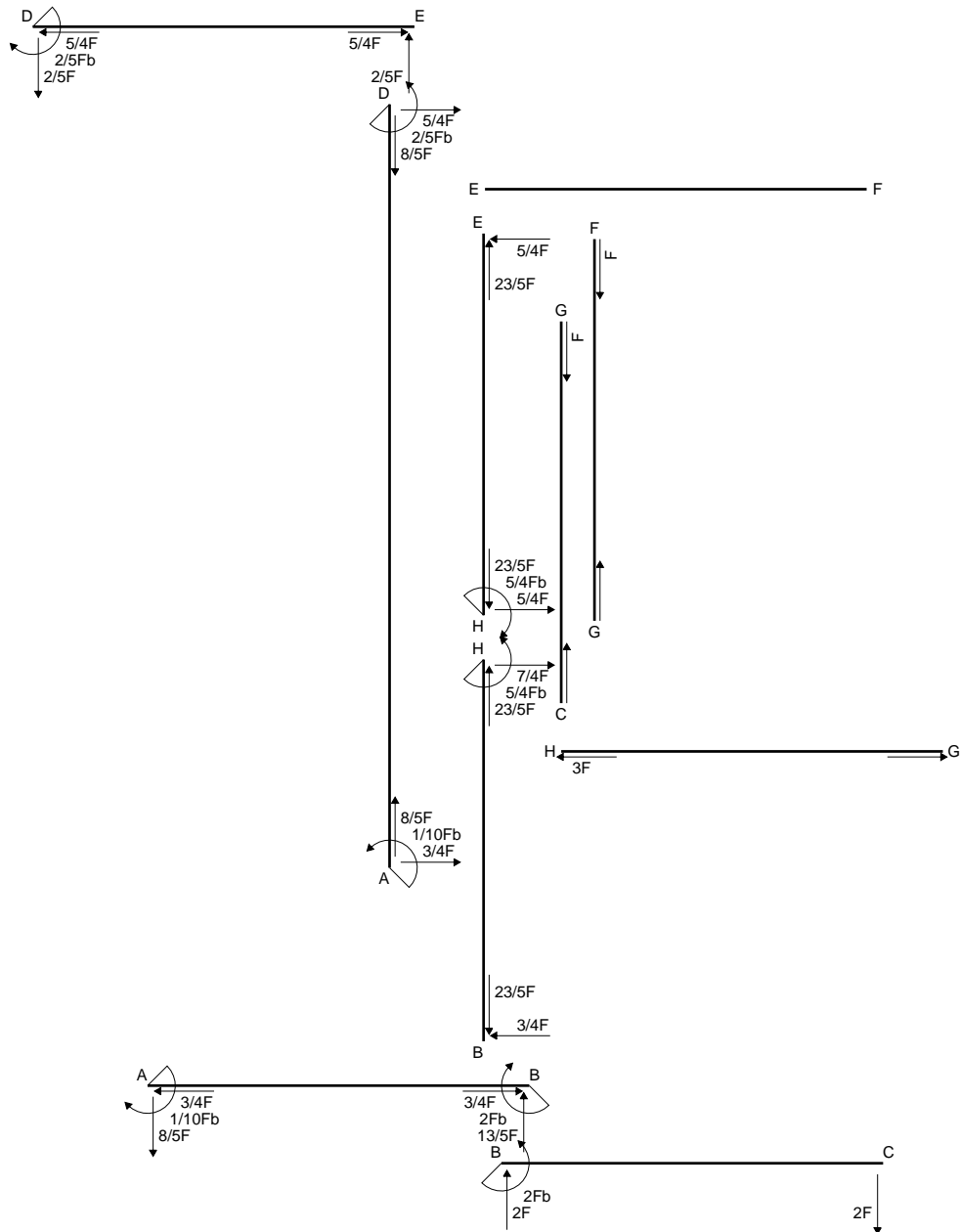
$$= (b - 5/2 b + 4/3 b) Fb \frac{1}{EJ} = -1/6 \frac{Fb^2}{EJ}$$

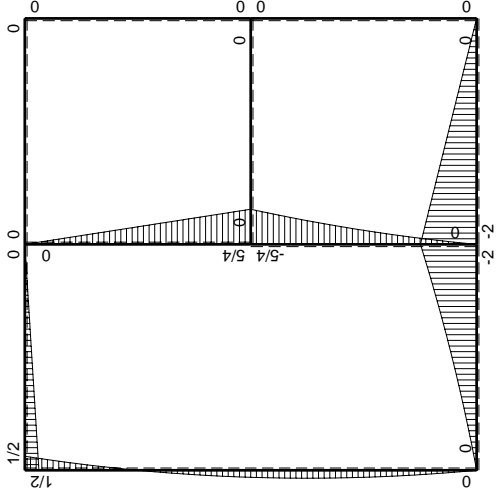
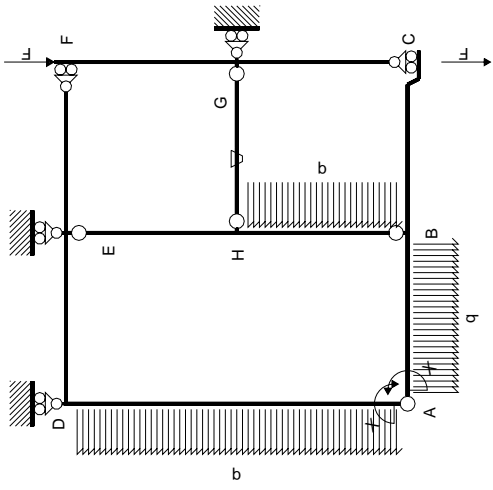
$$L_{DE}^{xo} = \int_0^b (1/2 - x/b + 1/2 x^2/b^2) Fb \frac{1}{EJ} dx = \left[1/2 x - 1/2 x^2/b + 1/6 x^3/b^2 \right]_0^b Fb \frac{1}{EJ}$$

$$= (1/2 b - 1/2 b + 1/6 b) Fb \frac{1}{EJ} = 1/6 \frac{Fb^2}{EJ}$$

$$L_{ED}^{xo} = \int_0^b (1/2 x^2/b^2) Fb \frac{1}{EJ} dx = \left[1/6 x^3/b^2 \right]_0^b Fb \frac{1}{EJ}$$

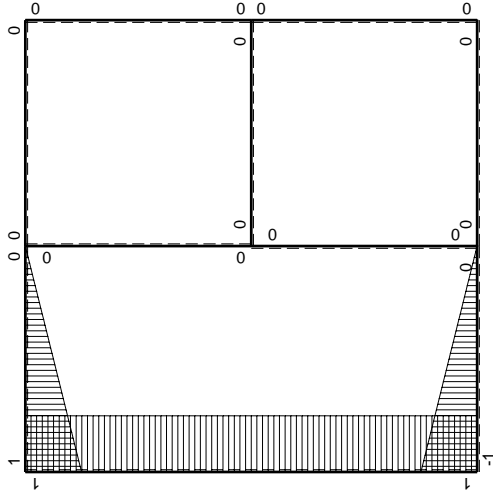
$$= (1/6 b) Fb \frac{1}{EJ} = 1/6 \frac{Fb^2}{EJ}$$





Schema di calcolo iperstatico

M₀ flessione da carichi assegnati



M_x flessione da iperstatica X=1

Quadro contributi PLV per iperstatica $X=W_{AB}$

→	$M_x(x)$	$M_o(x)$	θ	$M_x M_o$	$M_x \theta$	$M_x M_x$	$\int M_x(M_o/EJ+\theta)dx$	$\int X M_x M_x/EJ dx$
AB b	$-1+x/b$	$-3/2Fx-1/2qx^2$	0	$3/2Fx-Fx^2/b-1/2qx^3/b$	0	$1-2x/b+x^2/b^2$	$(7/24+0)Fb^2/EJ$	$1/3Xb/EJ$
BA b	x/b	$2Fb-5/2Fx+1/2qx^2$	0	$2Fx-5/2Fx^2/b+1/2qx^3/b$	0	x^2/b^2		
BC b	0	$-2Fb+2Fx$	0	0	0	0	0+0	0
CB b	0	$2Fx$	0	0	0	0		
AD 2b	1	$-3/4Fx+1/2qx^2$	0	$-3/4Fx+1/2Fx^2/b$	0	1	$(-1/6+0)Fb^2/EJ$	$2Xb/EJ$
DA 2b	-1	$-1/2Fb+5/4Fx-1/2qx^2$	0	$1/2Fb-5/4Fx+1/2Fx^2/b$	0	1		
DE b	$1-x/b$	$1/2Fb-1/2Fx$	0	$1/2Fb-Fx+1/2Fx^2/b$	0	$1-2x/b+x^2/b^2$	$(1/6+0)Fb^2/EJ$	$1/3Xb/EJ$
ED b	$-x/b$	$-1/2Fx$	0	$1/2Fx^2/b$	0	x^2/b^2		
EF b	0	0	0	0	0	0	0+0	0
FE b	0	0	0	0	0	0		
FG b	0	0	0	0	0	0	0+0	0
GF b	0	0	0	0	0	0		
GC b	0	0	0	0	0	0	0+0	0
CG b	0	0	0	0	0	0		
HG b	0	0	$-Fb/EJ$	0	0	0	0+0	0
GH b	0	0	Fb/EJ	0	0	0		
HB b	0	$-5/4Fb+7/4Fx-1/2qx^2$	0	0	0	0	0+0	0
BH b	0	$3/4Fx+1/2qx^2$	0	0	0	0		
HE b	0	$5/4Fb-5/4Fx$	0	0	0	0	0+0	0
EH b	0	$-5/4Fx$	0	0	0	0		
AB	molla asta $-W_{1AB}(W_{0AB}+XW_{1AB})/k_{AB}$							$1/4Xb/EJ$
	totali						$7/24Fb^2/EJ$	$35/12Xb/EJ$
	iperstatica $X=W_{AB}$						$-1/10Fb$	

Sviluppi di calcolo iperstatica

$$L_{AB}^{xx} = \int_0^b (1 - 2x/b + x^2/b^2) \cdot 1/EJ \, dx + 1 \cdot 1/4 \cdot b/EJ = \left[x - x^2/b + 1/3 x^3/b^2 \right]_0^b \cdot 1/EJ + 1 \cdot 1/4 \cdot b/EJ$$

$$= (b - b + 1/3 b) \cdot 1/EJ + 1 \cdot 1/4 \cdot b/EJ = 7/12 \cdot b/EJ$$

$$L_{BA}^{xx} = \int_0^b (x^2/b^2) \cdot 1/EJ \, dx + 1 \cdot 1/4 \cdot b/EJ = \left[1/3 x^3/b^2 \right]_0^b \cdot 1/EJ + 1 \cdot 1/4 \cdot b/EJ$$

$$= (1/3 b) \cdot 1/EJ + 1 \cdot 1/4 \cdot b/EJ = 7/12 \cdot b/EJ$$

$$L_{AD}^{xx} = \int_0^{2b} (1) \cdot 1/EJ \, dx = \left[x \right]_0^{2b} \cdot 1/EJ$$

$$= (2b) \cdot 1/EJ = 2 \cdot b/EJ$$

$$L_{DA}^{xx} = \int_0^{2b} (1) \cdot 1/EJ \, dx = \left[x \right]_0^{2b} \cdot 1/EJ$$

$$= (2b) \cdot 1/EJ = 2 \cdot b/EJ$$

$$L_{DE}^{xx} = \int_0^b (1 - 2x/b + x^2/b^2) \cdot 1/EJ \, dx = \left[x - x^2/b + 1/3 x^3/b^2 \right]_0^b \cdot 1/EJ$$

$$= (b - b + 1/3 b) \cdot 1/EJ = 1/3 \cdot b/EJ$$

$$L_{ED}^{xx} = \int_0^b (x^2/b^2) \cdot 1/EJ \, dx = \left[1/3 x^3/b^2 \right]_0^b \cdot 1/EJ$$

$$= (1/3 b) \cdot 1/EJ = 1/3 \cdot b/EJ$$

$$L_{AB}^{xo} = \int_0^b (3/2 x/b - x^2/b^2 - 1/2 x^3/b^3) \cdot Fb \cdot 1/EJ \, dx + 1 \cdot 0 \cdot 1/4 \cdot Fb^2/EJ$$

$$= \left[3/4 x^2/b - 1/3 x^3/b^2 - 1/8 x^4/b^3 \right]_0^b \cdot Fb \cdot 1/EJ + 1 \cdot 0 \cdot 1/4 \cdot Fb^2/EJ$$

$$= (3/4 b - 1/3 b - 1/8 b) \cdot Fb \cdot 1/EJ + 1 \cdot 0 \cdot 1/4 \cdot Fb^2/EJ = 7/24 \cdot Fb^2/EJ$$

$$L_{BA}^{xo} = \int_0^b (2x/b - 5/2 x^2/b^2 + 1/2 x^3/b^3) \cdot Fb \cdot 1/EJ \, dx + 1 \cdot 0 \cdot 1/4 \cdot Fb^2/EJ$$

$$= \left[x^2/b - 5/6 x^3/b^2 + 1/8 x^4/b^3 \right]_0^b \cdot Fb \cdot 1/EJ + 1 \cdot 0 \cdot 1/4 \cdot Fb^2/EJ$$

$$= (b - 5/6 b + 1/8 b) \cdot Fb \cdot 1/EJ + 1 \cdot 0 \cdot 1/4 \cdot Fb^2/EJ = 7/24 \cdot Fb^2/EJ$$

$$L_{AD}^{xo} = \int_0^{2b} (-3/4 x/b + 1/2 x^2/b^2) \cdot Fb \cdot 1/EJ \, dx = \left[-3/8 x^2/b + 1/6 x^3/b^2 \right]_0^{2b} \cdot Fb \cdot 1/EJ$$

$$= (-3/2 b + 4/3 b) \cdot Fb \cdot 1/EJ = -1/6 \cdot Fb^2/EJ$$

$$L_{DA}^{xo} = \int_0^{2b} (1/2 - 5/4 x/b + 1/2 x^2/b^2) \cdot Fb \cdot 1/EJ \, dx = \left[1/2 x - 5/8 x^2/b + 1/6 x^3/b^2 \right]_0^{2b} \cdot Fb \cdot 1/EJ$$

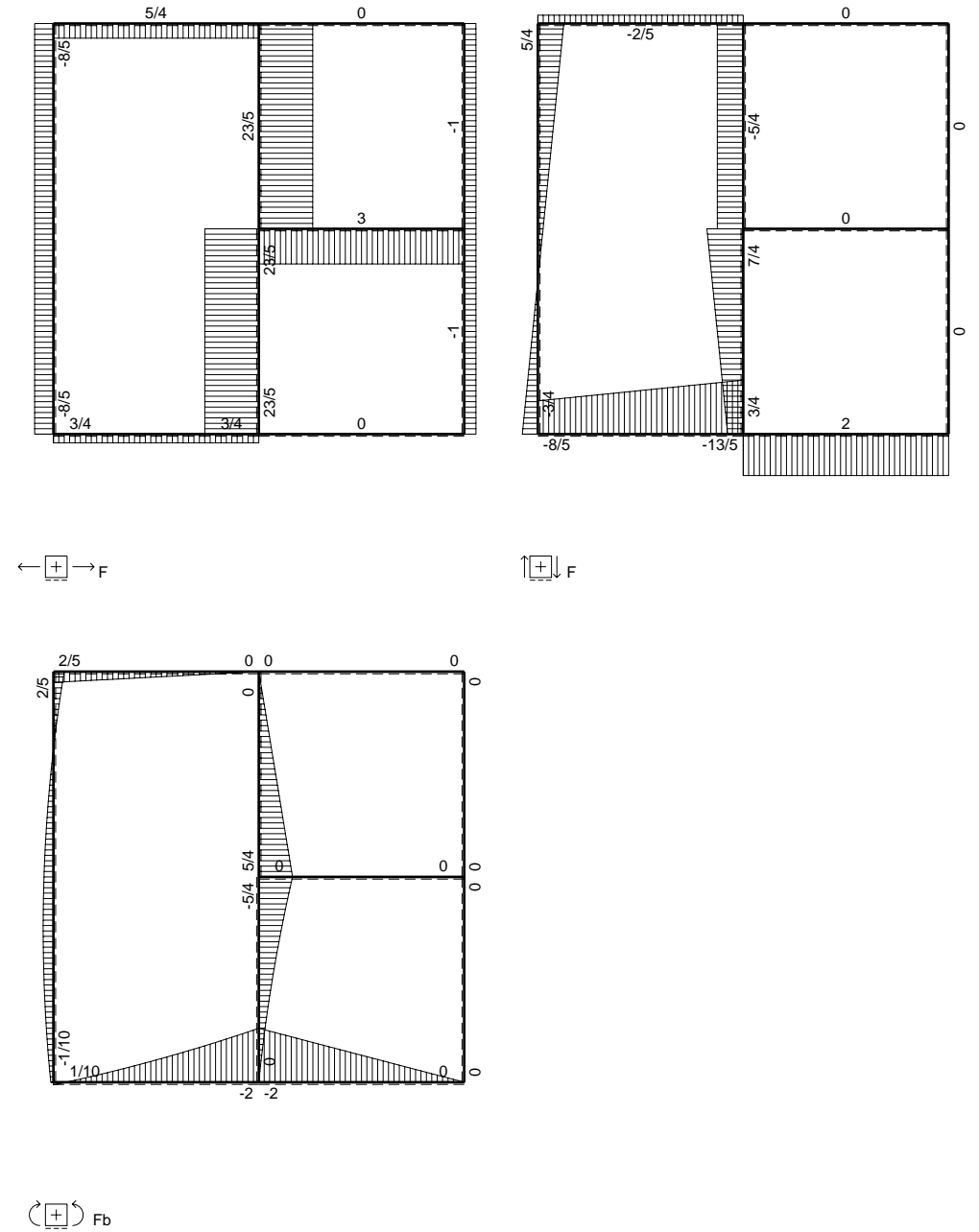
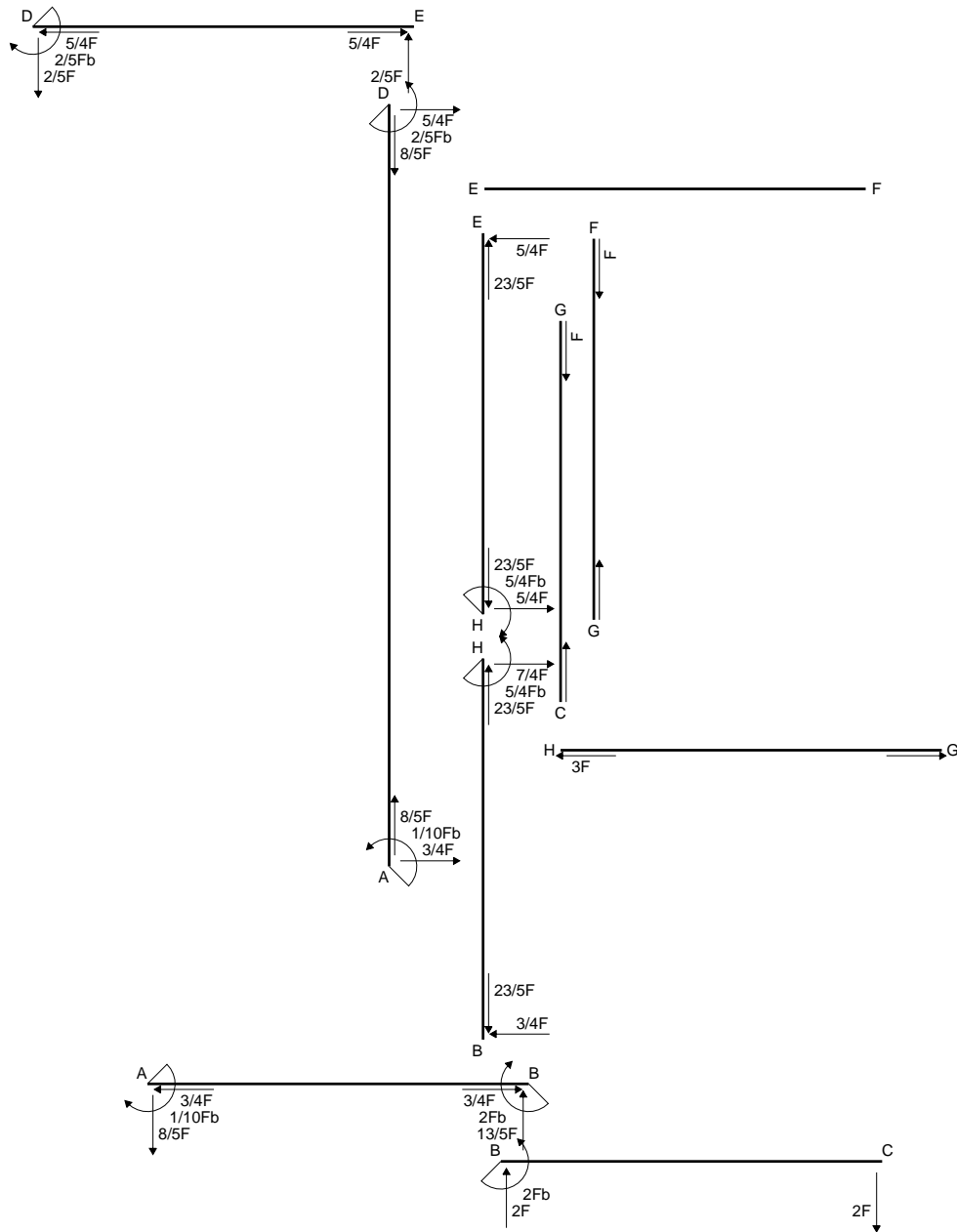
$$= (b - 5/2 b + 4/3 b) \cdot Fb \cdot 1/EJ = -1/6 \cdot Fb^2/EJ$$

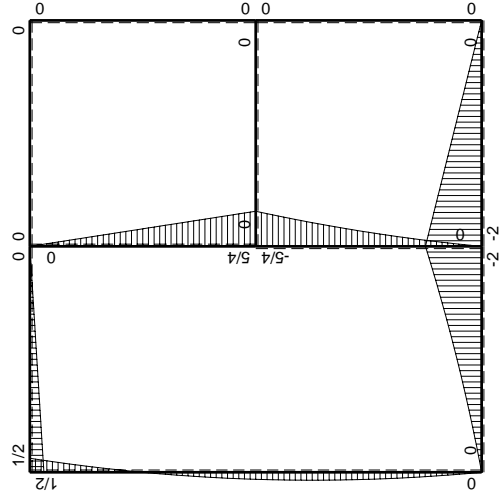
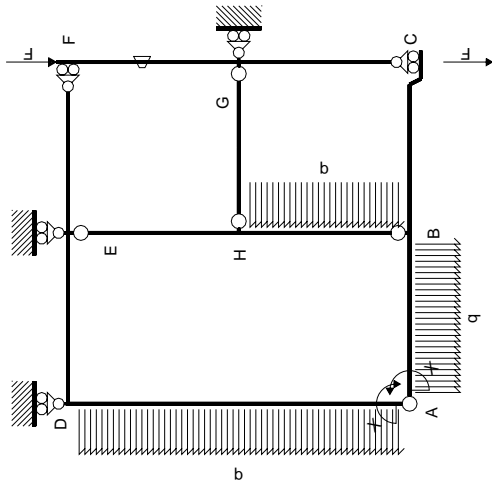
$$L_{DE}^{xo} = \int_0^b (1/2 - x/b + 1/2 x^2/b^2) \cdot Fb \cdot 1/EJ \, dx = \left[1/2 x - 1/2 x^2/b + 1/6 x^3/b^2 \right]_0^b \cdot Fb \cdot 1/EJ$$

$$= (1/2 b - 1/2 b + 1/6 b) \cdot Fb \cdot 1/EJ = 1/6 \cdot Fb^2/EJ$$

$$L_{ED}^{xo} = \int_0^b (1/2 x^2/b^2) \cdot Fb \cdot 1/EJ \, dx = \left[1/6 x^3/b^2 \right]_0^b \cdot Fb \cdot 1/EJ$$

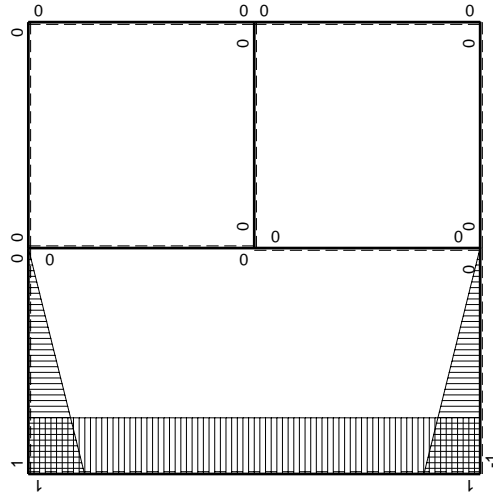
$$= (1/6 b) \cdot Fb \cdot 1/EJ = 1/6 \cdot Fb^2/EJ$$





Schema di calcolo iperstatico

M_0 flessione da carichi assegnati



M_x flessione da iperstatica X=1

Quadro contributi PLV per iperstatica $X=W_{AB}$

→	$M_x(x)$	$M_o(x)$	θ	$M_x M_o$	$M_x \theta$	$M_x M_x$	$\int M_x(M_o/EJ+\theta)dx$	$\int X M_x M_x/EJ dx$
AB b	$-1+x/b$	$-3/2Fx-1/2qx^2$	0	$3/2Fx-Fx^2/b-1/2qx^3/b$	0	$1-2x/b+x^2/b^2$	$(7/24+0)Fb^2/EJ$	$1/3Xb/EJ$
BA b	x/b	$2Fb-5/2Fx+1/2qx^2$	0	$2Fx-5/2Fx^2/b+1/2qx^3/b$	0	x^2/b^2		
BC b	0	$-2Fb+2Fx$	0	0	0	0	0+0	0
CB b	0	$2Fx$	0	0	0	0		
AD 2b	1	$-3/4Fx+1/2qx^2$	0	$-3/4Fx+1/2Fx^2/b$	0	1	$(-1/6+0)Fb^2/EJ$	$2Xb/EJ$
DA 2b	-1	$-1/2Fb+5/4Fx-1/2qx^2$	0	$1/2Fb-5/4Fx+1/2Fx^2/b$	0	1		
DE b	$1-x/b$	$1/2Fb-1/2Fx$	0	$1/2Fb-Fx+1/2Fx^2/b$	0	$1-2x/b+x^2/b^2$	$(1/6+0)Fb^2/EJ$	$1/3Xb/EJ$
ED b	$-x/b$	$-1/2Fx$	0	$1/2Fx^2/b$	0	x^2/b^2		
EF b	0	0	0	0	0	0	0+0	0
FE b	0	0	0	0	0	0		
FG b	0	0	$-Fb/EJ$	0	0	0	0+0	0
GF b	0	0	Fb/EJ	0	0	0		
GC b	0	0	0	0	0	0	0+0	0
CG b	0	0	0	0	0	0		
HG b	0	0	0	0	0	0	0+0	0
GH b	0	0	0	0	0	0		
HB b	0	$-5/4Fb+7/4Fx-1/2qx^2$	0	0	0	0	0+0	0
BH b	0	$3/4Fx+1/2qx^2$	0	0	0	0		
HE b	0	$5/4Fb-5/4Fx$	0	0	0	0	0+0	0
EH b	0	$-5/4Fx$	0	0	0	0		
AB	molla asta $-W_{1AB}(W_{0AB}+XW_{1AB})/k_{AB}$							$1/4Xb/EJ$
	totali						$7/24Fb^2/EJ$	$35/12Xb/EJ$
	iperstatica $X=W_{AB}$						$-1/10Fb$	

Sviluppi di calcolo iperstatica

$$L_{AB}^{xx} = \int_0^b (1 - 2x/b + x^2/b^2) \cdot 1/EJ \, dx + 1 \cdot 1/4 \cdot b/EJ = \left[x - x^2/b + 1/3 x^3/b^2 \right]_0^b \cdot 1/EJ + 1 \cdot 1/4 \cdot b/EJ$$

$$= (b - b + 1/3 b) \cdot 1/EJ + 1 \cdot 1/4 \cdot b/EJ = 7/12 \cdot b/EJ$$

$$L_{BA}^{xx} = \int_0^b (x^2/b^2) \cdot 1/EJ \, dx + 1 \cdot 1/4 \cdot b/EJ = \left[1/3 x^3/b^2 \right]_0^b \cdot 1/EJ + 1 \cdot 1/4 \cdot b/EJ$$

$$= (1/3 b) \cdot 1/EJ + 1 \cdot 1/4 \cdot b/EJ = 7/12 \cdot b/EJ$$

$$L_{AD}^{xx} = \int_0^{2b} (1) \cdot 1/EJ \, dx = \left[x \right]_0^{2b} \cdot 1/EJ$$

$$= (2b) \cdot 1/EJ = 2 \cdot b/EJ$$

$$L_{DA}^{xx} = \int_0^{2b} (1) \cdot 1/EJ \, dx = \left[x \right]_0^{2b} \cdot 1/EJ$$

$$= (2b) \cdot 1/EJ = 2 \cdot b/EJ$$

$$L_{DE}^{xx} = \int_0^b (1 - 2x/b + x^2/b^2) \cdot 1/EJ \, dx = \left[x - x^2/b + 1/3 x^3/b^2 \right]_0^b \cdot 1/EJ$$

$$= (b - b + 1/3 b) \cdot 1/EJ = 1/3 \cdot b/EJ$$

$$L_{ED}^{xx} = \int_0^b (x^2/b^2) \cdot 1/EJ \, dx = \left[1/3 x^3/b^2 \right]_0^b \cdot 1/EJ$$

$$= (1/3 b) \cdot 1/EJ = 1/3 \cdot b/EJ$$

$$L_{AB}^{xo} = \int_0^b (3/2 x/b - x^2/b^2 - 1/2 x^3/b^3) \cdot Fb \cdot 1/EJ \, dx + 1 \cdot 0 \cdot 1/4 \cdot Fb^2/EJ$$

$$= \left[3/4 x^2/b - 1/3 x^3/b^2 - 1/8 x^4/b^3 \right]_0^b \cdot Fb \cdot 1/EJ + 1 \cdot 0 \cdot 1/4 \cdot Fb^2/EJ$$

$$= (3/4 b - 1/3 b - 1/8 b) \cdot Fb \cdot 1/EJ + 1 \cdot 0 \cdot 1/4 \cdot Fb^2/EJ = 7/24 \cdot Fb^2/EJ$$

$$L_{BA}^{xo} = \int_0^b (2x/b - 5/2 x^2/b^2 + 1/2 x^3/b^3) \cdot Fb \cdot 1/EJ \, dx + 1 \cdot 0 \cdot 1/4 \cdot Fb^2/EJ$$

$$= \left[x^2/b - 5/6 x^3/b^2 + 1/8 x^4/b^3 \right]_0^b \cdot Fb \cdot 1/EJ + 1 \cdot 0 \cdot 1/4 \cdot Fb^2/EJ$$

$$= (b - 5/6 b + 1/8 b) \cdot Fb \cdot 1/EJ + 1 \cdot 0 \cdot 1/4 \cdot Fb^2/EJ = 7/24 \cdot Fb^2/EJ$$

$$L_{AD}^{xo} = \int_0^{2b} (-3/4 x/b + 1/2 x^2/b^2) \cdot Fb \cdot 1/EJ \, dx = \left[-3/8 x^2/b + 1/6 x^3/b^2 \right]_0^{2b} \cdot Fb \cdot 1/EJ$$

$$= (-3/2 b + 4/3 b) \cdot Fb \cdot 1/EJ = -1/6 \cdot Fb^2/EJ$$

$$L_{DA}^{xo} = \int_0^{2b} (1/2 - 5/4 x/b + 1/2 x^2/b^2) \cdot Fb \cdot 1/EJ \, dx = \left[1/2 x - 5/8 x^2/b + 1/6 x^3/b^2 \right]_0^{2b} \cdot Fb \cdot 1/EJ$$

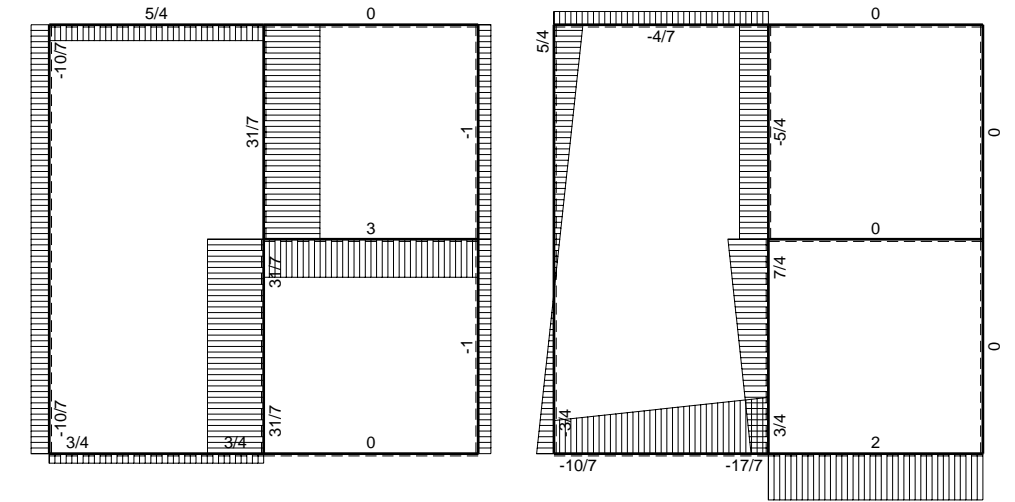
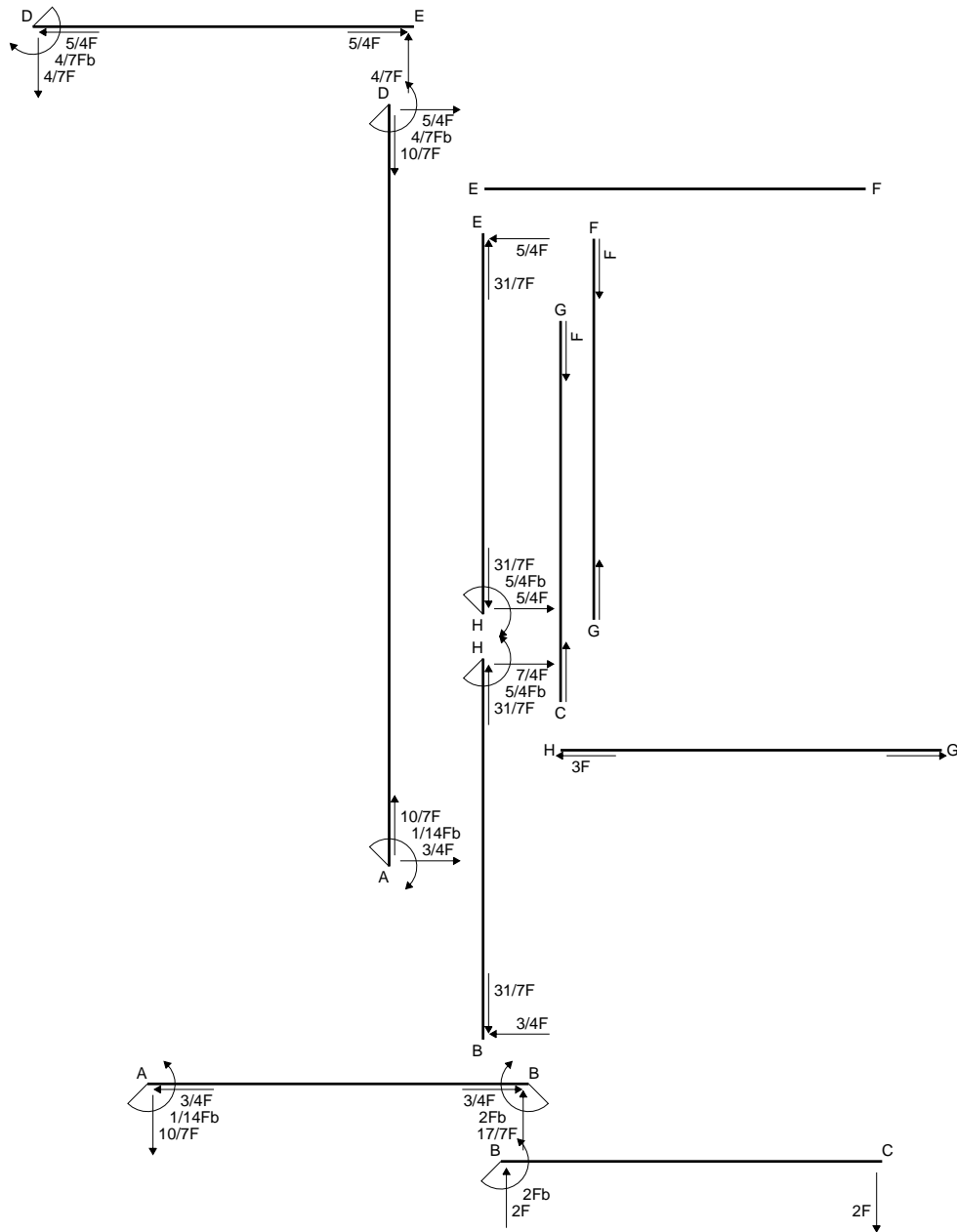
$$= (b - 5/2 b + 4/3 b) \cdot Fb \cdot 1/EJ = -1/6 \cdot Fb^2/EJ$$

$$L_{DE}^{xo} = \int_0^b (1/2 - x/b + 1/2 x^2/b^2) \cdot Fb \cdot 1/EJ \, dx = \left[1/2 x - 1/2 x^2/b + 1/6 x^3/b^2 \right]_0^b \cdot Fb \cdot 1/EJ$$

$$= (1/2 b - 1/2 b + 1/6 b) \cdot Fb \cdot 1/EJ = 1/6 \cdot Fb^2/EJ$$

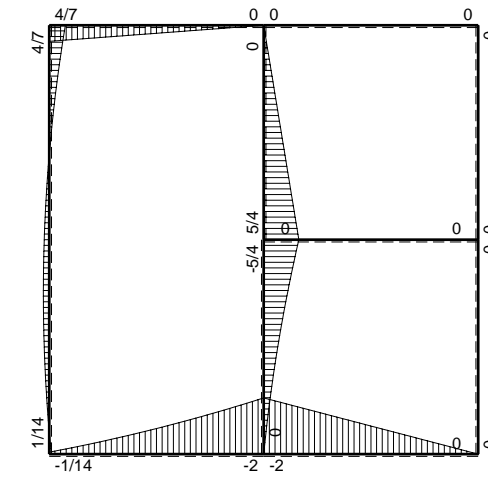
$$L_{ED}^{xo} = \int_0^b (1/2 x^2/b^2) \cdot Fb \cdot 1/EJ \, dx = \left[1/6 x^3/b^2 \right]_0^b \cdot Fb \cdot 1/EJ$$

$$= (1/6 b) \cdot Fb \cdot 1/EJ = 1/6 \cdot Fb^2/EJ$$

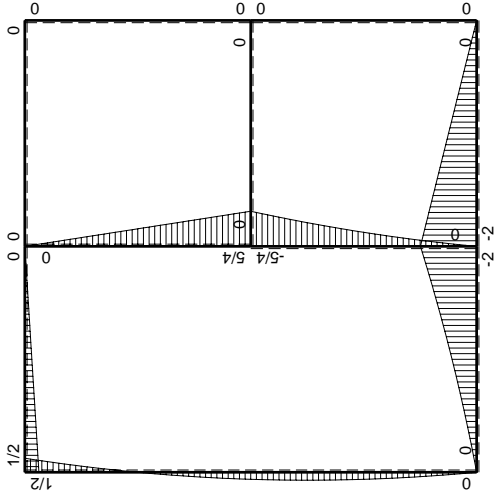
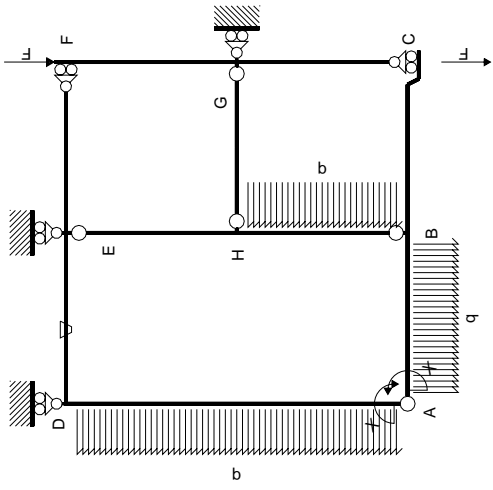


← ⊕ → F

↑ ⊕ ↓ F

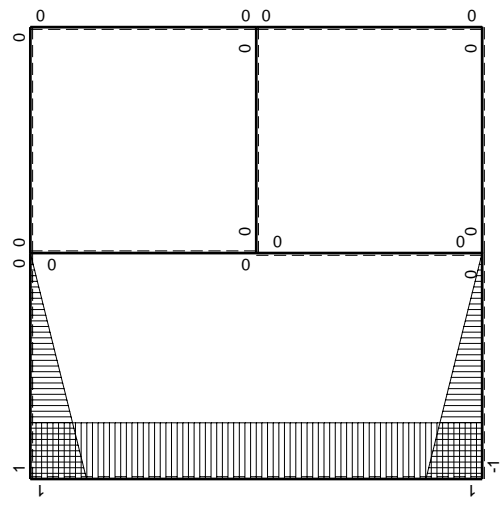


⊕ ⊖ F_b



Schema di calcolo iperstatico

M_0 flessione da carichi assegnati



M_x flessione da iperstatica $X=1$

Quadro contributi PLV per iperstatica $X=W_{AB}$

→	$M_x(x)$	$M_o(x)$	θ	$M_x M_o$	$M_x \theta$	$M_x M_x$	$\int M_x(M_o/EJ+\theta)dx$	$\int X M_x M_x / EJ dx$	
AB b	$-1+x/b$	$-3/2Fx-1/2qx^2$	0	$3/2Fx-Fx^2/b-1/2qx^3/b$	0	$1-2x/b+x^2/b^2$	$(7/24+0)Fb^2/EJ$	$1/3Xb/EJ$	
BA b	x/b	$2Fb-5/2Fx+1/2qx^2$	0	$2Fx-5/2Fx^2/b+1/2qx^3/b$	0	x^2/b^2			
BC b	0	$-2Fb+2Fx$	0	0	0	0	0+0	0	
CB b	0	$2Fx$	0	0	0	0			
AD 2b	1	$-3/4Fx+1/2qx^2$	0	$-3/4Fx+1/2Fx^2/b$	0	1	$(-1/6+0)Fb^2/EJ$	$2Xb/EJ$	
DA 2b	-1	$-1/2Fb+5/4Fx-1/2qx^2$	0	$1/2Fb-5/4Fx+1/2Fx^2/b$	0	1			
DE b	$1-x/b$	$1/2Fb-1/2Fx$	$-Fb/EJ$	$1/2Fb-Fx+1/2Fx^2/b$	$-Fb/EJ+Fx/EJ$	$1-2x/b+x^2/b^2$	$(1/6-1/2)Fb^2/EJ$	$1/3Xb/EJ$	
ED b	$-x/b$	$-1/2Fx$	Fb/EJ	$1/2Fx^2/b$	$-Fx/EJ$	x^2/b^2			
EF b	0	0	0	0	0	0	0+0	0	
FE b	0	0	0	0	0	0			
FG b	0	0	0	0	0	0	0+0	0	
GF b	0	0	0	0	0	0			
GC b	0	0	0	0	0	0	0+0	0	
CG b	0	0	0	0	0	0			
HG b	0	0	0	0	0	0	0+0	0	
GH b	0	0	0	0	0	0			
HB b	0	$-5/4Fb+7/4Fx-1/2qx^2$	0	0	0	0	0+0	0	
BH b	0	$3/4Fx+1/2qx^2$	0	0	0	0			
HE b	0	$5/4Fb-5/4Fx$	0	0	0	0	0+0	0	
EH b	0	$-5/4Fx$	0	0	0	0			
AB	molla asta $-W_{1AB} (W_{0AB} + XW_{1AB}) / k_{AB}$								$1/4Xb/EJ$
	totali							$-5/24Fb^2/EJ$	$35/12Xb/EJ$
	iperstatica $X=W_{AB}$							$1/14Fb$	

Sviluppi di calcolo iperstatica

$$L_{AB}^{xx} = \int_0^b (1 - 2x/b + x^2/b^2) \cdot 1/EJ \, dx + 1 \cdot 1/4 \cdot b/EJ = \left[x - x^2/b + 1/3 x^3/b^2 \right]_0^b \cdot 1/EJ + 1 \cdot 1/4 \cdot b/EJ$$

$$= (b - b + 1/3 b) \cdot 1/EJ + 1 \cdot 1/4 \cdot b/EJ = 7/12 \cdot b/EJ$$

$$L_{BA}^{xx} = \int_0^b (x^2/b^2) \cdot 1/EJ \, dx + 1 \cdot 1/4 \cdot b/EJ = \left[1/3 x^3/b^2 \right]_0^b \cdot 1/EJ + 1 \cdot 1/4 \cdot b/EJ$$

$$= (1/3 b) \cdot 1/EJ + 1 \cdot 1/4 \cdot b/EJ = 7/12 \cdot b/EJ$$

$$L_{AD}^{xx} = \int_0^{2b} (1) \cdot 1/EJ \, dx = \left[x \right]_0^{2b} \cdot 1/EJ$$

$$= (2b) \cdot 1/EJ = 2 \cdot b/EJ$$

$$L_{DA}^{xx} = \int_0^{2b} (1) \cdot 1/EJ \, dx = \left[x \right]_0^{2b} \cdot 1/EJ$$

$$= (2b) \cdot 1/EJ = 2 \cdot b/EJ$$

$$L_{DE}^{xx} = \int_0^b (1 - 2x/b + x^2/b^2) \cdot 1/EJ \, dx = \left[x - x^2/b + 1/3 x^3/b^2 \right]_0^b \cdot 1/EJ$$

$$= (b - b + 1/3 b) \cdot 1/EJ = 1/3 \cdot b/EJ$$

$$L_{ED}^{xx} = \int_0^b (x^2/b^2) \cdot 1/EJ \, dx = \left[1/3 x^3/b^2 \right]_0^b \cdot 1/EJ$$

$$= (1/3 b) \cdot 1/EJ = 1/3 \cdot b/EJ$$

$$L_{AB}^{xo} = \int_0^b (3/2 x/b - x^2/b^2 - 1/2 x^3/b^3) \cdot Fb \cdot 1/EJ \, dx + 1 \cdot 0 \cdot 1/4 \cdot Fb^2/EJ$$

$$= \left[3/4 x^2/b - 1/3 x^3/b^2 - 1/8 x^4/b^3 \right]_0^b \cdot Fb \cdot 1/EJ + 1 \cdot 0 \cdot 1/4 \cdot Fb^2/EJ$$

$$= (3/4 b - 1/3 b - 1/8 b) \cdot Fb \cdot 1/EJ + 1 \cdot 0 \cdot 1/4 \cdot Fb^2/EJ = 7/24 \cdot Fb^2/EJ$$

$$L_{BA}^{xo} = \int_0^b (2x/b - 5/2 x^2/b^2 + 1/2 x^3/b^3) \cdot Fb \cdot 1/EJ \, dx + 1 \cdot 0 \cdot 1/4 \cdot Fb^2/EJ$$

$$= \left[x^2/b - 5/6 x^3/b^2 + 1/8 x^4/b^3 \right]_0^b \cdot Fb \cdot 1/EJ + 1 \cdot 0 \cdot 1/4 \cdot Fb^2/EJ$$

$$= (b - 5/6 b + 1/8 b) \cdot Fb \cdot 1/EJ + 1 \cdot 0 \cdot 1/4 \cdot Fb^2/EJ = 7/24 \cdot Fb^2/EJ$$

$$L_{AD}^{xo} = \int_0^{2b} (-3/4 x/b + 1/2 x^2/b^2) \cdot Fb \cdot 1/EJ \, dx = \left[-3/8 x^2/b + 1/6 x^3/b^2 \right]_0^{2b} \cdot Fb \cdot 1/EJ$$

$$= (-3/2 b + 4/3 b) \cdot Fb \cdot 1/EJ = -1/6 \cdot Fb^2/EJ$$

$$L_{DA}^{xo} = \int_0^{2b} (1/2 - 5/4 x/b + 1/2 x^2/b^2) \cdot Fb \cdot 1/EJ \, dx = \left[1/2 x - 5/8 x^2/b + 1/6 x^3/b^2 \right]_0^{2b} \cdot Fb \cdot 1/EJ$$

$$= (b - 5/2 b + 4/3 b) \cdot Fb \cdot 1/EJ = -1/6 \cdot Fb^2/EJ$$

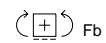
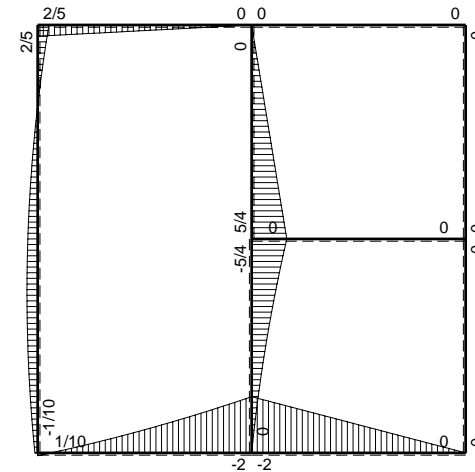
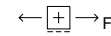
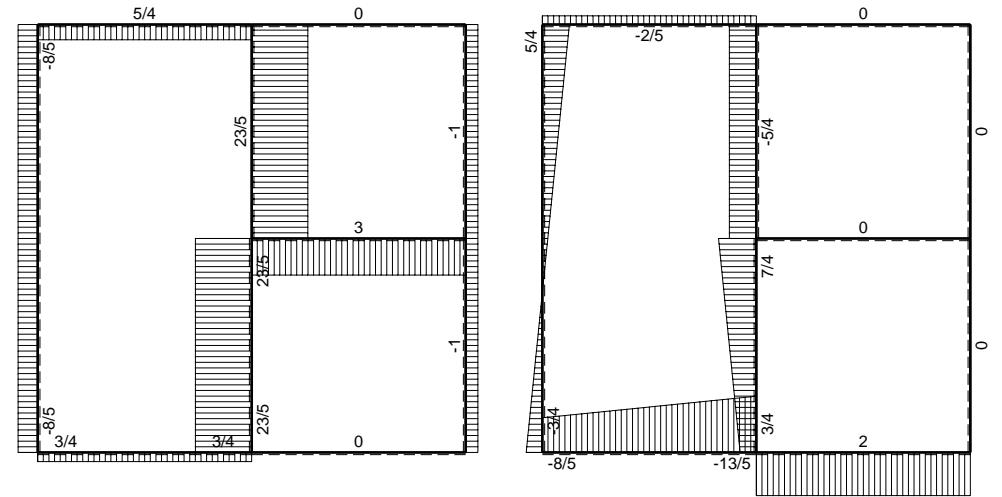
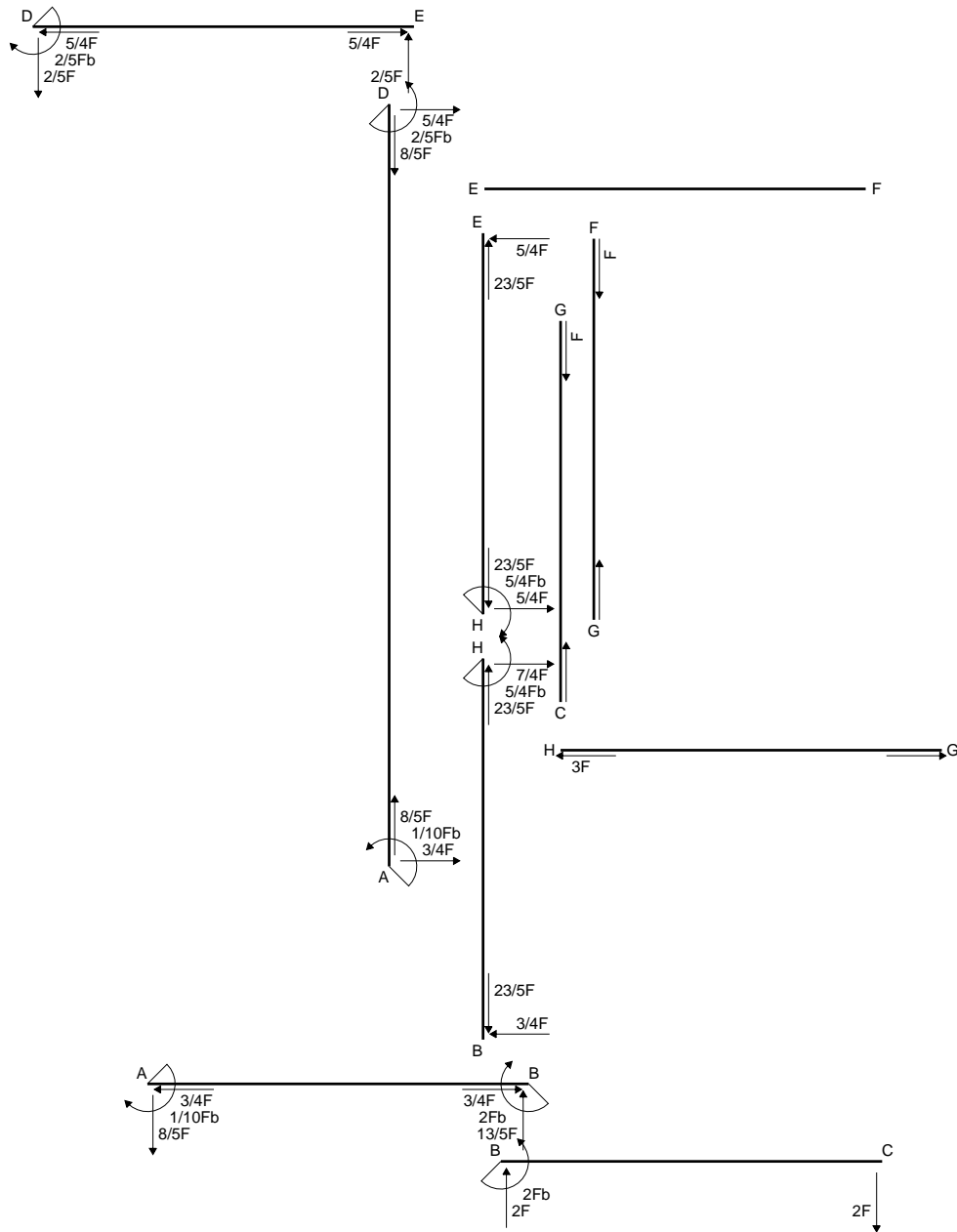
$$L_{DE}^{xo} = \int_0^b (1/2 - x/b + 1/2 x^2/b^2) \cdot Fb \cdot 1/EJ \, dx + \int_0^b (-1 + x/b) \cdot \theta \, dx$$

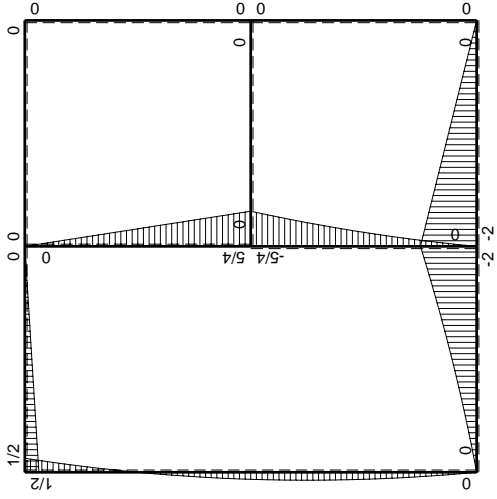
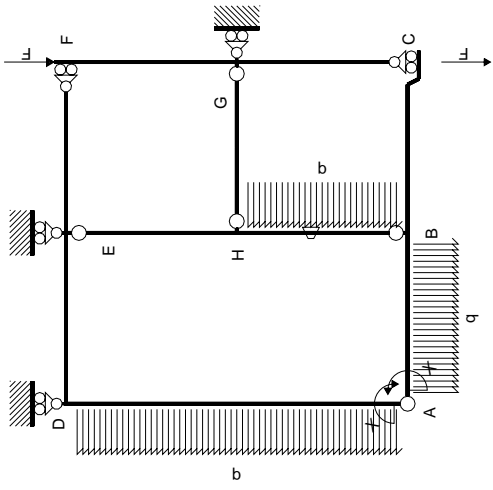
$$= \left[1/2 x - 1/2 x^2/b + 1/6 x^3/b^2 \right]_0^b \cdot Fb \cdot 1/EJ + \left[-x + 1/2 x^2/b \right]_0^b \cdot \theta$$

$$= (1/2 b - 1/2 b + 1/6 b) \cdot Fb \cdot 1/EJ + (-b + 1/2 b) \cdot \theta = -1/3 \cdot Fb^2/EJ$$

$$L_{ED}^{xo} = \int_0^b (1/2 x^2/b^2) \cdot Fb \cdot 1/EJ \, dx + \int_0^b (x/b) \cdot \theta \, dx = \left[1/6 x^3/b^2 \right]_0^b \cdot Fb \cdot 1/EJ + \left[1/2 x^2/b \right]_0^b \cdot \theta$$

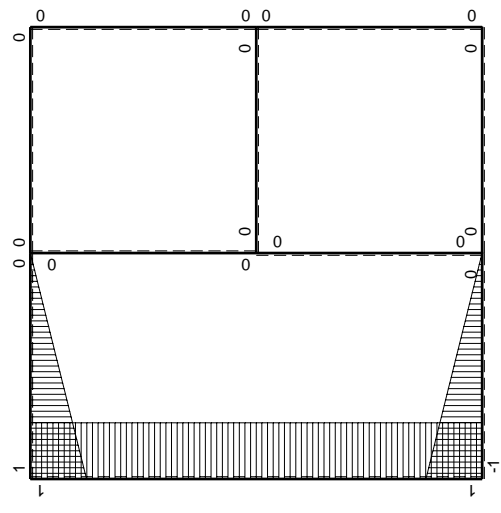
$$= (1/6 b) \cdot Fb \cdot 1/EJ + (1/2 b) \cdot \theta = -1/3 \cdot Fb^2/EJ$$





Schema di calcolo iperstatico

M_0 flessione da carichi assegnati



M_x flessione da iperstatica $X=1$

Quadro contributi PLV per iperstatica $X=W_{AB}$

→	$M_x(x)$	$M_o(x)$	θ	$M_x M_o$	$M_x \theta$	$M_x M_x$	$\int M_x(M_o/EJ+\theta)dx$	$\int X M_x M_x/EJ dx$
AB b	$-1+x/b$	$-3/2Fx-1/2qx^2$	0	$3/2Fx-Fx^2/b-1/2qx^3/b$	0	$1-2x/b+x^2/b^2$	$(7/24+0)Fb^2/EJ$	$1/3Xb/EJ$
BA b	x/b	$2Fb-5/2Fx+1/2qx^2$	0	$2Fx-5/2Fx^2/b+1/2qx^3/b$	0	x^2/b^2		
BC b	0	$-2Fb+2Fx$	0	0	0	0	0+0	0
CB b	0	$2Fx$	0	0	0	0		
AD 2b	1	$-3/4Fx+1/2qx^2$	0	$-3/4Fx+1/2Fx^2/b$	0	1	$(-1/6+0)Fb^2/EJ$	$2Xb/EJ$
DA 2b	-1	$-1/2Fb+5/4Fx-1/2qx^2$	0	$1/2Fb-5/4Fx+1/2Fx^2/b$	0	1		
DE b	$1-x/b$	$1/2Fb-1/2Fx$	0	$1/2Fb-Fx+1/2Fx^2/b$	0	$1-2x/b+x^2/b^2$	$(1/6+0)Fb^2/EJ$	$1/3Xb/EJ$
ED b	$-x/b$	$-1/2Fx$	0	$1/2Fx^2/b$	0	x^2/b^2		
EF b	0	0	0	0	0	0	0+0	0
FE b	0	0	0	0	0	0		
FG b	0	0	0	0	0	0	0+0	0
GF b	0	0	0	0	0	0		
GC b	0	0	0	0	0	0	0+0	0
CG b	0	0	0	0	0	0		
HG b	0	0	0	0	0	0	0+0	0
GH b	0	0	0	0	0	0		
HB b	0	$-5/4Fb+7/4Fx-1/2qx^2$	$-Fb/EJ$	0	0	0	0+0	0
BH b	0	$3/4Fx+1/2qx^2$	Fb/EJ	0	0	0		
HE b	0	$5/4Fb-5/4Fx$	0	0	0	0	0+0	0
EH b	0	$-5/4Fx$	0	0	0	0		
AB	molla asta $-W_{1AB}(W_{0AB}+XW_{1AB})/k_{AB}$							$1/4Xb/EJ$
	totali						$7/24Fb^2/EJ$	$35/12Xb/EJ$
	iperstatica $X=W_{AB}$						$-1/10Fb$	

Sviluppi di calcolo iperstatica

$$L_{AB}^{xx} = \int_0^b (1 - 2x/b + x^2/b^2) \cdot 1/EJ \, dx + 1 \cdot 1/4 \cdot b/EJ = \left[x - x^2/b + 1/3 x^3/b^2 \right]_0^b \cdot 1/EJ + 1 \cdot 1/4 \cdot b/EJ$$

$$= (b - b + 1/3 b) \cdot 1/EJ + 1 \cdot 1/4 \cdot b/EJ = 7/12 \cdot b/EJ$$

$$L_{BA}^{xx} = \int_0^b (x^2/b^2) \cdot 1/EJ \, dx + 1 \cdot 1/4 \cdot b/EJ = \left[1/3 x^3/b^2 \right]_0^b \cdot 1/EJ + 1 \cdot 1/4 \cdot b/EJ$$

$$= (1/3 b) \cdot 1/EJ + 1 \cdot 1/4 \cdot b/EJ = 7/12 \cdot b/EJ$$

$$L_{AD}^{xx} = \int_0^{2b} (1) \cdot 1/EJ \, dx = \left[x \right]_0^{2b} \cdot 1/EJ$$

$$= (2b) \cdot 1/EJ = 2 \cdot b/EJ$$

$$L_{DA}^{xx} = \int_0^{2b} (1) \cdot 1/EJ \, dx = \left[x \right]_0^{2b} \cdot 1/EJ$$

$$= (2b) \cdot 1/EJ = 2 \cdot b/EJ$$

$$L_{DE}^{xx} = \int_0^b (1 - 2x/b + x^2/b^2) \cdot 1/EJ \, dx = \left[x - x^2/b + 1/3 x^3/b^2 \right]_0^b \cdot 1/EJ$$

$$= (b - b + 1/3 b) \cdot 1/EJ = 1/3 \cdot b/EJ$$

$$L_{ED}^{xx} = \int_0^b (x^2/b^2) \cdot 1/EJ \, dx = \left[1/3 x^3/b^2 \right]_0^b \cdot 1/EJ$$

$$= (1/3 b) \cdot 1/EJ = 1/3 \cdot b/EJ$$

$$L_{AB}^{xo} = \int_0^b (3/2 x/b - x^2/b^2 - 1/2 x^3/b^3) \cdot Fb \cdot 1/EJ \, dx + 1 \cdot 0 \cdot 1/4 \cdot Fb^2/EJ$$

$$= \left[3/4 x^2/b - 1/3 x^3/b^2 - 1/8 x^4/b^3 \right]_0^b \cdot Fb \cdot 1/EJ + 1 \cdot 0 \cdot 1/4 \cdot Fb^2/EJ$$

$$= (3/4 b - 1/3 b - 1/8 b) \cdot Fb \cdot 1/EJ + 1 \cdot 0 \cdot 1/4 \cdot Fb^2/EJ = 7/24 \cdot Fb^2/EJ$$

$$L_{BA}^{xo} = \int_0^b (2x/b - 5/2 x^2/b^2 + 1/2 x^3/b^3) \cdot Fb \cdot 1/EJ \, dx + 1 \cdot 0 \cdot 1/4 \cdot Fb^2/EJ$$

$$= \left[x^2/b - 5/6 x^3/b^2 + 1/8 x^4/b^3 \right]_0^b \cdot Fb \cdot 1/EJ + 1 \cdot 0 \cdot 1/4 \cdot Fb^2/EJ$$

$$= (b - 5/6 b + 1/8 b) \cdot Fb \cdot 1/EJ + 1 \cdot 0 \cdot 1/4 \cdot Fb^2/EJ = 7/24 \cdot Fb^2/EJ$$

$$L_{AD}^{xo} = \int_0^{2b} (-3/4 x/b + 1/2 x^2/b^2) \cdot Fb \cdot 1/EJ \, dx = \left[-3/8 x^2/b + 1/6 x^3/b^2 \right]_0^{2b} \cdot Fb \cdot 1/EJ$$

$$= (-3/2 b + 4/3 b) \cdot Fb \cdot 1/EJ = -1/6 \cdot Fb^2/EJ$$

$$L_{DA}^{xo} = \int_0^{2b} (1/2 - 5/4 x/b + 1/2 x^2/b^2) \cdot Fb \cdot 1/EJ \, dx = \left[1/2 x - 5/8 x^2/b + 1/6 x^3/b^2 \right]_0^{2b} \cdot Fb \cdot 1/EJ$$

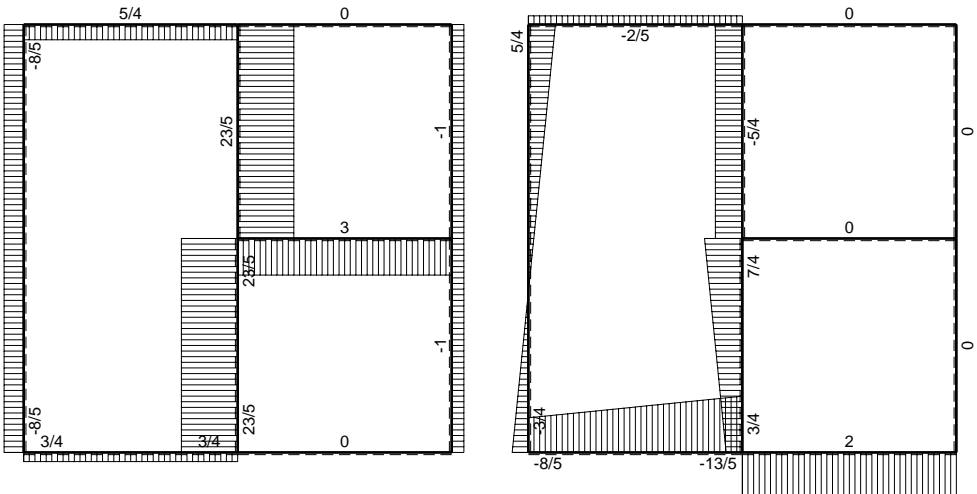
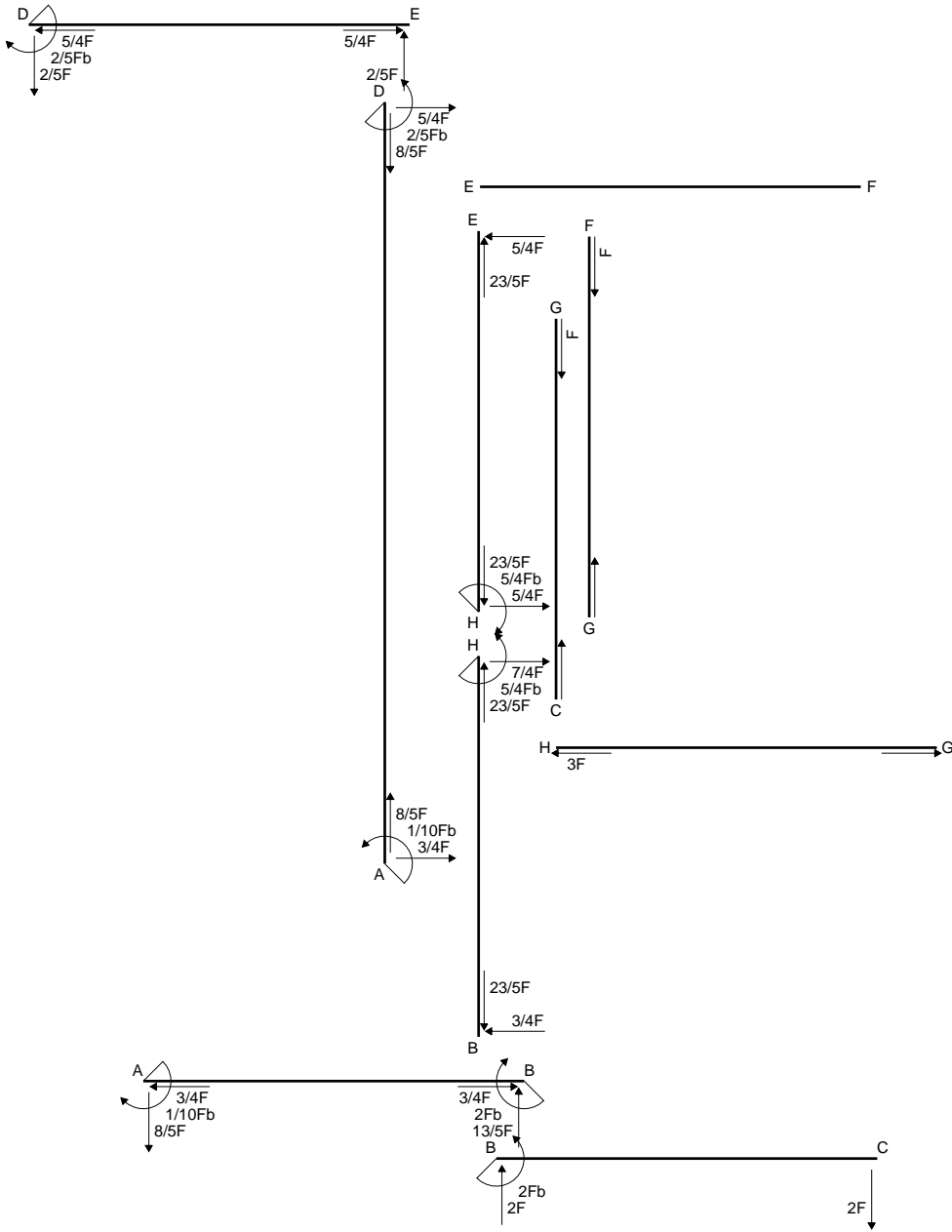
$$= (b - 5/2 b + 4/3 b) \cdot Fb \cdot 1/EJ = -1/6 \cdot Fb^2/EJ$$

$$L_{DE}^{xo} = \int_0^b (1/2 - x/b + 1/2 x^2/b^2) \cdot Fb \cdot 1/EJ \, dx = \left[1/2 x - 1/2 x^2/b + 1/6 x^3/b^2 \right]_0^b \cdot Fb \cdot 1/EJ$$

$$= (1/2 b - 1/2 b + 1/6 b) \cdot Fb \cdot 1/EJ = 1/6 \cdot Fb^2/EJ$$

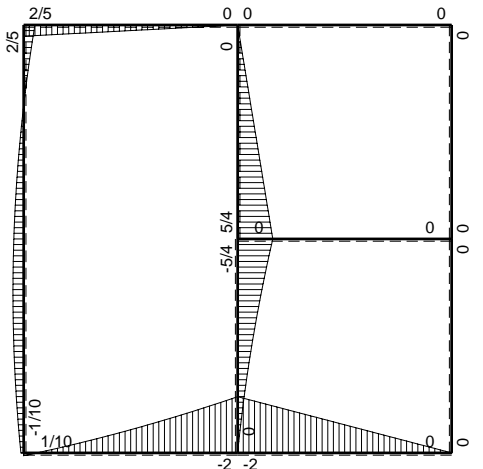
$$L_{ED}^{xo} = \int_0^b (1/2 x^2/b^2) \cdot Fb \cdot 1/EJ \, dx = \left[1/6 x^3/b^2 \right]_0^b \cdot Fb \cdot 1/EJ$$

$$= (1/6 b) \cdot Fb \cdot 1/EJ = 1/6 \cdot Fb^2/EJ$$

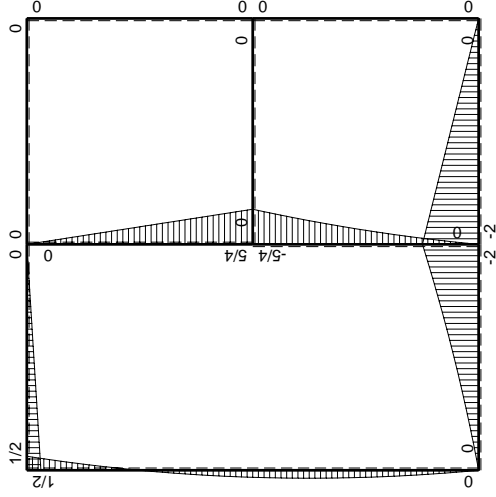
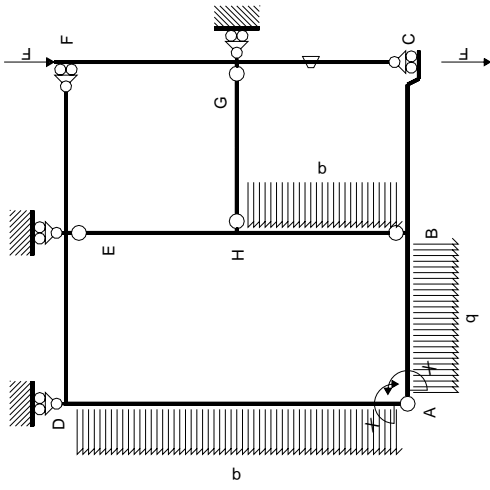


← + → F

↑ + ↓ F

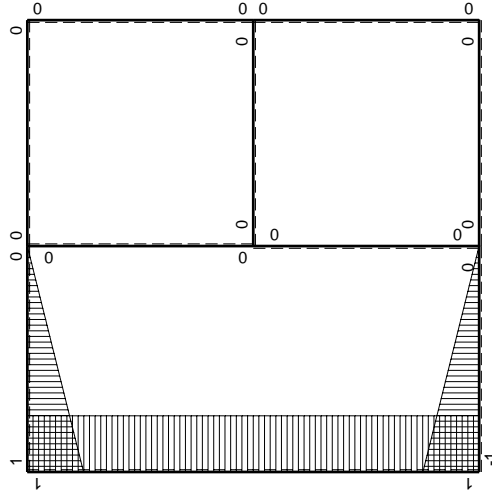


⊕ ⊖ Fb



Schema di calcolo iperstatico

M_0 flessione da carichi assegnati



M_x flessione da iperstatica X=1

Quadro contributi PLV per iperstatica $X=W_{AB}$

→	$M_x(x)$	$M_o(x)$	θ	$M_x M_o$	$M_x \theta$	$M_x M_x$	$\int M_x(M_o/EJ+\theta)dx$	$\int X M_x M_x/EJ dx$
AB b	$-1+x/b$	$-3/2Fx-1/2qx^2$	0	$3/2Fx-Fx^2/b-1/2qx^3/b$	0	$1-2x/b+x^2/b^2$	$(7/24+0)Fb^2/EJ$	$1/3Xb/EJ$
BA b	x/b	$2Fb-5/2Fx+1/2qx^2$	0	$2Fx-5/2Fx^2/b+1/2qx^3/b$	0	x^2/b^2		
BC b	0	$-2Fb+2Fx$	0	0	0	0	0+0	0
CB b	0	$2Fx$	0	0	0	0		
AD 2b	1	$-3/4Fx+1/2qx^2$	0	$-3/4Fx+1/2Fx^2/b$	0	1	$(-1/6+0)Fb^2/EJ$	$2Xb/EJ$
DA 2b	-1	$-1/2Fb+5/4Fx-1/2qx^2$	0	$1/2Fb-5/4Fx+1/2Fx^2/b$	0	1		
DE b	$1-x/b$	$1/2Fb-1/2Fx$	0	$1/2Fb-Fx+1/2Fx^2/b$	0	$1-2x/b+x^2/b^2$	$(1/6+0)Fb^2/EJ$	$1/3Xb/EJ$
ED b	$-x/b$	$-1/2Fx$	0	$1/2Fx^2/b$	0	x^2/b^2		
EF b	0	0	0	0	0	0	0+0	0
FE b	0	0	0	0	0	0		
FG b	0	0	0	0	0	0	0+0	0
GF b	0	0	0	0	0	0		
GC b	0	0	$-Fb/EJ$	0	0	0	0+0	0
CG b	0	0	Fb/EJ	0	0	0		
HG b	0	0	0	0	0	0	0+0	0
GH b	0	0	0	0	0	0		
HB b	0	$-5/4Fb+7/4Fx-1/2qx^2$	0	0	0	0	0+0	0
BH b	0	$3/4Fx+1/2qx^2$	0	0	0	0		
HE b	0	$5/4Fb-5/4Fx$	0	0	0	0	0+0	0
EH b	0	$-5/4Fx$	0	0	0	0		
AB	molla asta $-W_{1AB}(W_{0AB}+XW_{1AB})/k_{AB}$							$1/4Xb/EJ$
	totali						$7/24Fb^2/EJ$	$35/12Xb/EJ$
	iperstatica $X=W_{AB}$						$-1/10Fb$	

Sviluppi di calcolo iperstatica

$$L_{AB}^{xx} = \int_0^b (1 - 2x/b + x^2/b^2) \cdot 1/EJ \, dx + 1 \cdot 1/4 \cdot b/EJ = \left[x - x^2/b + 1/3 x^3/b^2 \right]_0^b \cdot 1/EJ + 1 \cdot 1/4 \cdot b/EJ$$

$$= (b - b + 1/3 b) \cdot 1/EJ + 1 \cdot 1/4 \cdot b/EJ = 7/12 \cdot b/EJ$$

$$L_{BA}^{xx} = \int_0^b (x^2/b^2) \cdot 1/EJ \, dx + 1 \cdot 1/4 \cdot b/EJ = \left[1/3 x^3/b^2 \right]_0^b \cdot 1/EJ + 1 \cdot 1/4 \cdot b/EJ$$

$$= (1/3 b) \cdot 1/EJ + 1 \cdot 1/4 \cdot b/EJ = 7/12 \cdot b/EJ$$

$$L_{AD}^{xx} = \int_0^{2b} (1) \cdot 1/EJ \, dx = \left[x \right]_0^{2b} \cdot 1/EJ$$

$$= (2b) \cdot 1/EJ = 2 \cdot b/EJ$$

$$L_{DA}^{xx} = \int_0^{2b} (1) \cdot 1/EJ \, dx = \left[x \right]_0^{2b} \cdot 1/EJ$$

$$= (2b) \cdot 1/EJ = 2 \cdot b/EJ$$

$$L_{DE}^{xx} = \int_0^b (1 - 2x/b + x^2/b^2) \cdot 1/EJ \, dx = \left[x - x^2/b + 1/3 x^3/b^2 \right]_0^b \cdot 1/EJ$$

$$= (b - b + 1/3 b) \cdot 1/EJ = 1/3 \cdot b/EJ$$

$$L_{ED}^{xx} = \int_0^b (x^2/b^2) \cdot 1/EJ \, dx = \left[1/3 x^3/b^2 \right]_0^b \cdot 1/EJ$$

$$= (1/3 b) \cdot 1/EJ = 1/3 \cdot b/EJ$$

$$L_{AB}^{xo} = \int_0^b (3/2 x/b - x^2/b^2 - 1/2 x^3/b^3) \cdot Fb \cdot 1/EJ \, dx + 1 \cdot 0 \cdot 1/4 \cdot Fb^2/EJ$$

$$= \left[3/4 x^2/b - 1/3 x^3/b^2 - 1/8 x^4/b^3 \right]_0^b \cdot Fb \cdot 1/EJ + 1 \cdot 0 \cdot 1/4 \cdot Fb^2/EJ$$

$$= (3/4 b - 1/3 b - 1/8 b) \cdot Fb \cdot 1/EJ + 1 \cdot 0 \cdot 1/4 \cdot Fb^2/EJ = 7/24 \cdot Fb^2/EJ$$

$$L_{BA}^{xo} = \int_0^b (2x/b - 5/2 x^2/b^2 + 1/2 x^3/b^3) \cdot Fb \cdot 1/EJ \, dx + 1 \cdot 0 \cdot 1/4 \cdot Fb^2/EJ$$

$$= \left[x^2/b - 5/6 x^3/b^2 + 1/8 x^4/b^3 \right]_0^b \cdot Fb \cdot 1/EJ + 1 \cdot 0 \cdot 1/4 \cdot Fb^2/EJ$$

$$= (b - 5/6 b + 1/8 b) \cdot Fb \cdot 1/EJ + 1 \cdot 0 \cdot 1/4 \cdot Fb^2/EJ = 7/24 \cdot Fb^2/EJ$$

$$L_{AD}^{xo} = \int_0^{2b} (-3/4 x/b + 1/2 x^2/b^2) \cdot Fb \cdot 1/EJ \, dx = \left[-3/8 x^2/b + 1/6 x^3/b^2 \right]_0^{2b} \cdot Fb \cdot 1/EJ$$

$$= (-3/2 b + 4/3 b) \cdot Fb \cdot 1/EJ = -1/6 \cdot Fb^2/EJ$$

$$L_{DA}^{xo} = \int_0^{2b} (1/2 - 5/4 x/b + 1/2 x^2/b^2) \cdot Fb \cdot 1/EJ \, dx = \left[1/2 x - 5/8 x^2/b + 1/6 x^3/b^2 \right]_0^{2b} \cdot Fb \cdot 1/EJ$$

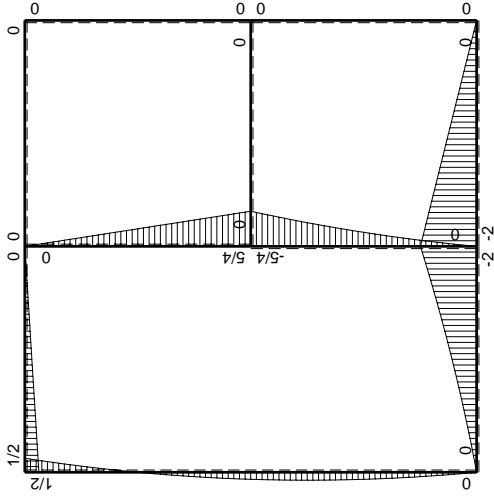
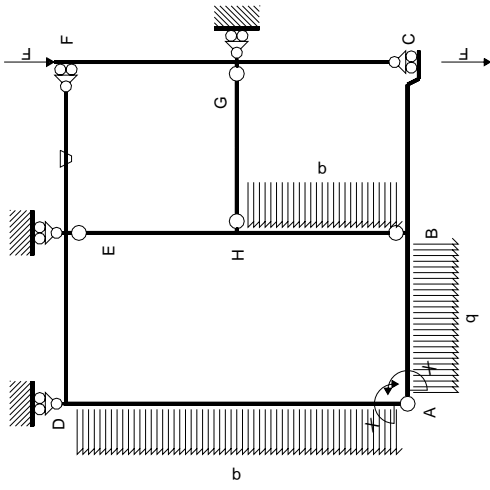
$$= (b - 5/2 b + 4/3 b) \cdot Fb \cdot 1/EJ = -1/6 \cdot Fb^2/EJ$$

$$L_{DE}^{xo} = \int_0^b (1/2 - x/b + 1/2 x^2/b^2) \cdot Fb \cdot 1/EJ \, dx = \left[1/2 x - 1/2 x^2/b + 1/6 x^3/b^2 \right]_0^b \cdot Fb \cdot 1/EJ$$

$$= (1/2 b - 1/2 b + 1/6 b) \cdot Fb \cdot 1/EJ = 1/6 \cdot Fb^2/EJ$$

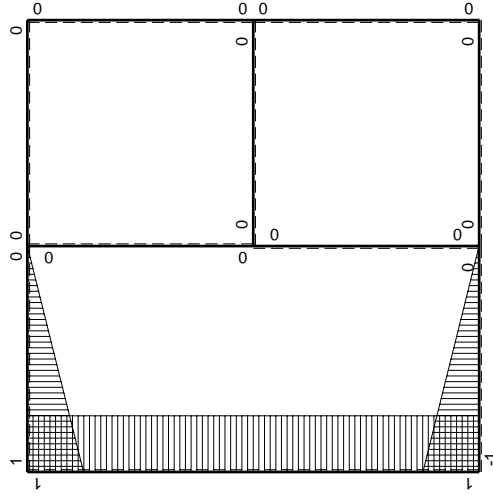
$$L_{ED}^{xo} = \int_0^b (1/2 x^2/b^2) \cdot Fb \cdot 1/EJ \, dx = \left[1/6 x^3/b^2 \right]_0^b \cdot Fb \cdot 1/EJ$$

$$= (1/6 b) \cdot Fb \cdot 1/EJ = 1/6 \cdot Fb^2/EJ$$



Schema di calcolo iperstatico

M_0 flessione da carichi assegnati



M_x flessione da iperstatica $X=1$

Quadro contributi PLV per iperstatica $X=W_{AB}$

→	$M_x(x)$	$M_o(x)$	θ	$M_x M_o$	$M_x \theta$	$M_x M_x$	$\int M_x(M_o/EJ+\theta)dx$	$\int X M_x M_x/EJ dx$
AB b	$-1+x/b$	$-3/2Fx-1/2qx^2$	0	$3/2Fx-Fx^2/b-1/2qx^3/b$	0	$1-2x/b+x^2/b^2$	$(7/24+0)Fb^2/EJ$	$1/3Xb/EJ$
BA b	x/b	$2Fb-5/2Fx+1/2qx^2$	0	$2Fx-5/2Fx^2/b+1/2qx^3/b$	0	x^2/b^2		
BC b	0	$-2Fb+2Fx$	0	0	0	0	0+0	0
CB b	0	$2Fx$	0	0	0	0		
AD 2b	1	$-3/4Fx+1/2qx^2$	0	$-3/4Fx+1/2Fx^2/b$	0	1	$(-1/6+0)Fb^2/EJ$	$2Xb/EJ$
DA 2b	-1	$-1/2Fb+5/4Fx-1/2qx^2$	0	$1/2Fb-5/4Fx+1/2Fx^2/b$	0	1		
DE b	$1-x/b$	$1/2Fb-1/2Fx$	0	$1/2Fb-Fx+1/2Fx^2/b$	0	$1-2x/b+x^2/b^2$	$(1/6+0)Fb^2/EJ$	$1/3Xb/EJ$
ED b	$-x/b$	$-1/2Fx$	0	$1/2Fx^2/b$	0	x^2/b^2		
EF b	0	0	$-Fb/EJ$	0	0	0	0+0	0
FE b	0	0	Fb/EJ	0	0	0		
FG b	0	0	0	0	0	0	0+0	0
GF b	0	0	0	0	0	0		
GC b	0	0	0	0	0	0	0+0	0
CG b	0	0	0	0	0	0		
HG b	0	0	0	0	0	0	0+0	0
GH b	0	0	0	0	0	0		
HB b	0	$-5/4Fb+7/4Fx-1/2qx^2$	0	0	0	0	0+0	0
BH b	0	$3/4Fx+1/2qx^2$	0	0	0	0		
HE b	0	$5/4Fb-5/4Fx$	0	0	0	0	0+0	0
EH b	0	$-5/4Fx$	0	0	0	0		
AB	molla asta $-W_{1AB}(W_{0AB}+XW_{1AB})/k_{AB}$							$1/4Xb/EJ$
	totali						$7/24Fb^2/EJ$	$35/12Xb/EJ$
	iperstatica $X=W_{AB}$						$-1/10Fb$	

Sviluppi di calcolo iperstatica

$$L_{AB}^{xx} = \int_0^b (1 - 2x/b + x^2/b^2) \cdot 1/EJ \, dx + 1 \cdot 1/4 \cdot b/EJ = \left[x - x^2/b + 1/3 x^3/b^2 \right]_0^b \cdot 1/EJ + 1 \cdot 1/4 \cdot b/EJ$$

$$= (b - b + 1/3 b) \cdot 1/EJ + 1 \cdot 1/4 \cdot b/EJ = 7/12 \cdot b/EJ$$

$$L_{BA}^{xx} = \int_0^b (x^2/b^2) \cdot 1/EJ \, dx + 1 \cdot 1/4 \cdot b/EJ = \left[1/3 x^3/b^2 \right]_0^b \cdot 1/EJ + 1 \cdot 1/4 \cdot b/EJ$$

$$= (1/3 b) \cdot 1/EJ + 1 \cdot 1/4 \cdot b/EJ = 7/12 \cdot b/EJ$$

$$L_{AD}^{xx} = \int_0^{2b} (1) \cdot 1/EJ \, dx = \left[x \right]_0^{2b} \cdot 1/EJ$$

$$= (2b) \cdot 1/EJ = 2 \cdot b/EJ$$

$$L_{DA}^{xx} = \int_0^{2b} (1) \cdot 1/EJ \, dx = \left[x \right]_0^{2b} \cdot 1/EJ$$

$$= (2b) \cdot 1/EJ = 2 \cdot b/EJ$$

$$L_{DE}^{xx} = \int_0^b (1 - 2x/b + x^2/b^2) \cdot 1/EJ \, dx = \left[x - x^2/b + 1/3 x^3/b^2 \right]_0^b \cdot 1/EJ$$

$$= (b - b + 1/3 b) \cdot 1/EJ = 1/3 \cdot b/EJ$$

$$L_{ED}^{xx} = \int_0^b (x^2/b^2) \cdot 1/EJ \, dx = \left[1/3 x^3/b^2 \right]_0^b \cdot 1/EJ$$

$$= (1/3 b) \cdot 1/EJ = 1/3 \cdot b/EJ$$

$$L_{AB}^{xo} = \int_0^b (3/2 x/b - x^2/b^2 - 1/2 x^3/b^3) \cdot Fb \cdot 1/EJ \, dx + 1 \cdot 0 \cdot 1/4 \cdot Fb^2/EJ$$

$$= \left[3/4 x^2/b - 1/3 x^3/b^2 - 1/8 x^4/b^3 \right]_0^b \cdot Fb \cdot 1/EJ + 1 \cdot 0 \cdot 1/4 \cdot Fb^2/EJ$$

$$= (3/4 b - 1/3 b - 1/8 b) \cdot Fb \cdot 1/EJ + 1 \cdot 0 \cdot 1/4 \cdot Fb^2/EJ = 7/24 \cdot Fb^2/EJ$$

$$L_{BA}^{xo} = \int_0^b (2x/b - 5/2 x^2/b^2 + 1/2 x^3/b^3) \cdot Fb \cdot 1/EJ \, dx + 1 \cdot 0 \cdot 1/4 \cdot Fb^2/EJ$$

$$= \left[x^2/b - 5/6 x^3/b^2 + 1/8 x^4/b^3 \right]_0^b \cdot Fb \cdot 1/EJ + 1 \cdot 0 \cdot 1/4 \cdot Fb^2/EJ$$

$$= (b - 5/6 b + 1/8 b) \cdot Fb \cdot 1/EJ + 1 \cdot 0 \cdot 1/4 \cdot Fb^2/EJ = 7/24 \cdot Fb^2/EJ$$

$$L_{AD}^{xo} = \int_0^{2b} (-3/4 x/b + 1/2 x^2/b^2) \cdot Fb \cdot 1/EJ \, dx = \left[-3/8 x^2/b + 1/6 x^3/b^2 \right]_0^{2b} \cdot Fb \cdot 1/EJ$$

$$= (-3/2 b + 4/3 b) \cdot Fb \cdot 1/EJ = -1/6 \cdot Fb^2/EJ$$

$$L_{DA}^{xo} = \int_0^{2b} (1/2 - 5/4 x/b + 1/2 x^2/b^2) \cdot Fb \cdot 1/EJ \, dx = \left[1/2 x - 5/8 x^2/b + 1/6 x^3/b^2 \right]_0^{2b} \cdot Fb \cdot 1/EJ$$

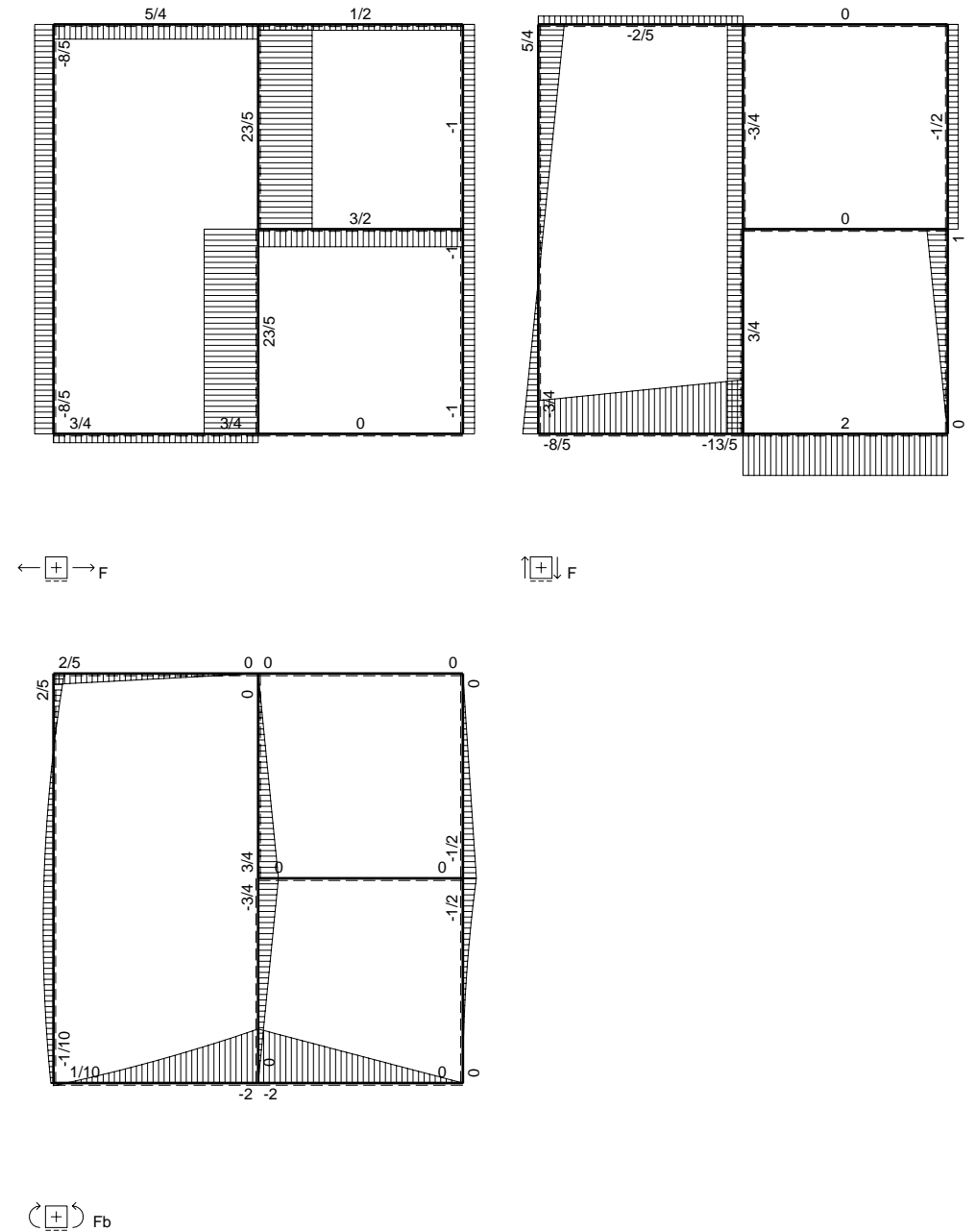
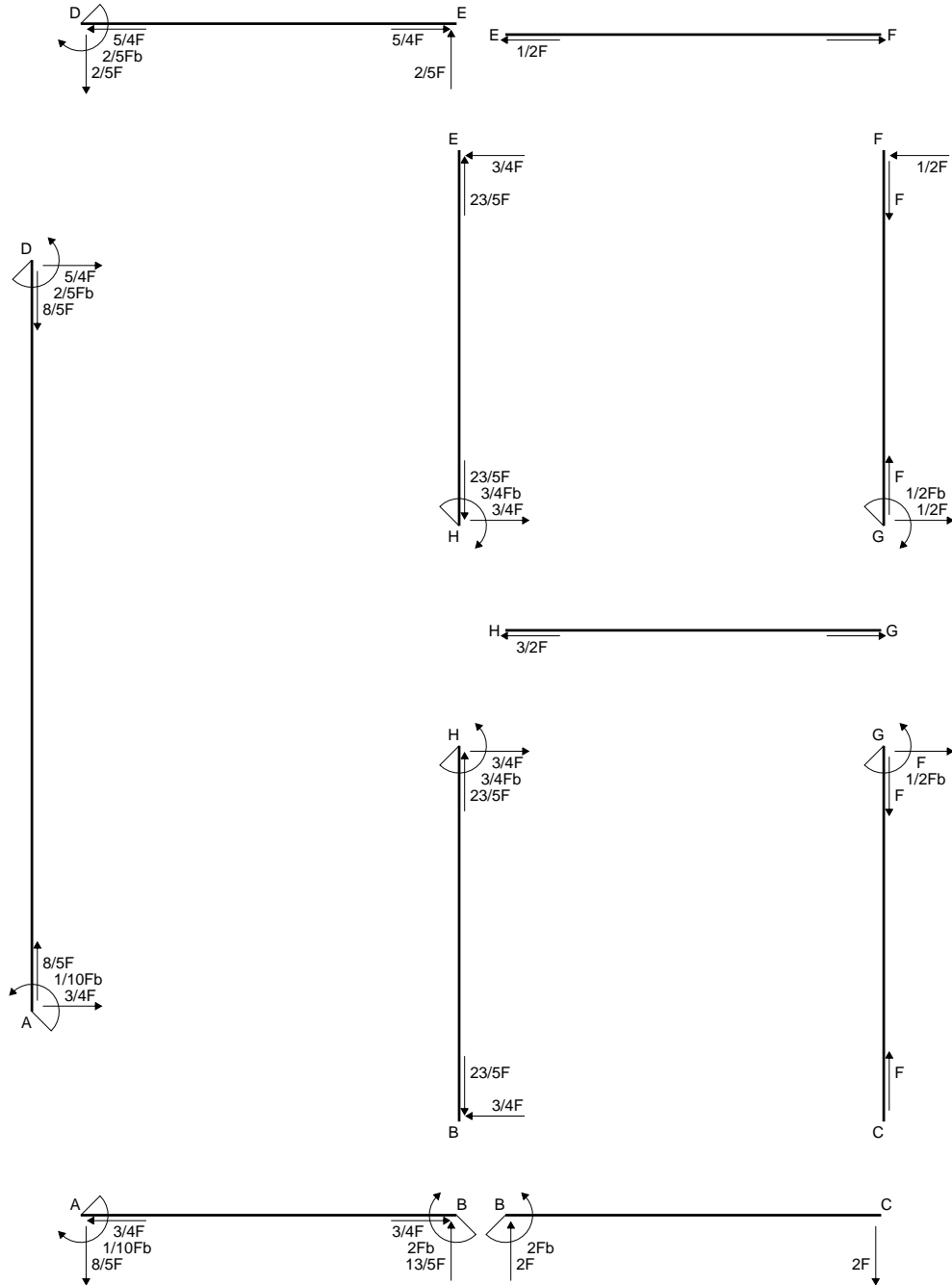
$$= (b - 5/2 b + 4/3 b) \cdot Fb \cdot 1/EJ = -1/6 \cdot Fb^2/EJ$$

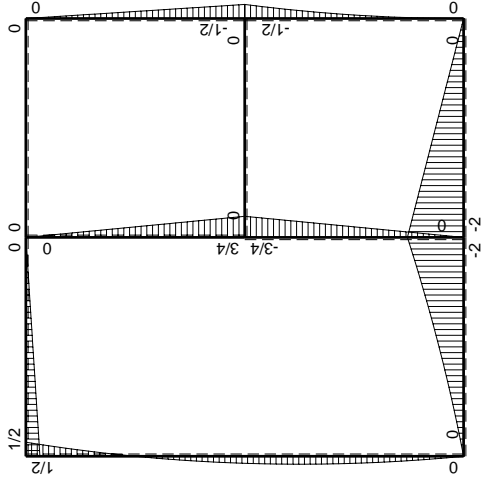
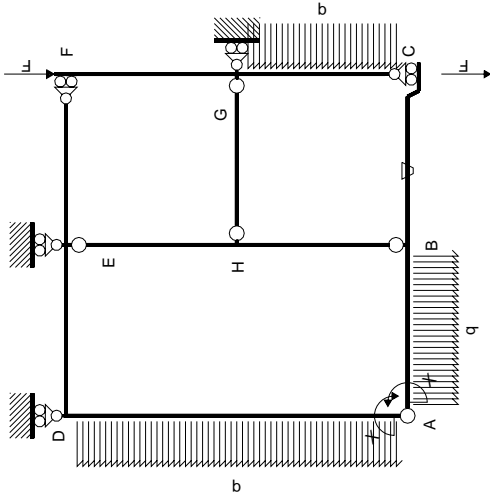
$$L_{DE}^{xo} = \int_0^b (1/2 - x/b + 1/2 x^2/b^2) \cdot Fb \cdot 1/EJ \, dx = \left[1/2 x - 1/2 x^2/b + 1/6 x^3/b^2 \right]_0^b \cdot Fb \cdot 1/EJ$$

$$= (1/2 b - 1/2 b + 1/6 b) \cdot Fb \cdot 1/EJ = 1/6 \cdot Fb^2/EJ$$

$$L_{ED}^{xo} = \int_0^b (1/2 x^2/b^2) \cdot Fb \cdot 1/EJ \, dx = \left[1/6 x^3/b^2 \right]_0^b \cdot Fb \cdot 1/EJ$$

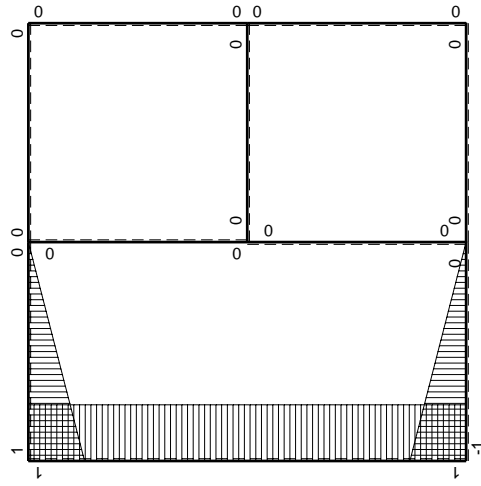
$$= (1/6 b) \cdot Fb \cdot 1/EJ = 1/6 \cdot Fb^2/EJ$$





Schema di calcolo iperstatico

M_0 flessione da carichi assegnati



M_x flessione da iperstatica $X=1$

Quadro contributi PLV per iperstatica $X=W_{AB}$

→	$M_x(x)$	$M_o(x)$	θ	$M_x M_o$	$M_x \theta$	$M_x M_x$	$\int M_x(M_o/EJ+\theta)dx$	$\int X M_x M_x/EJ dx$	
AB b	$-1+x/b$	$-3/2Fx-1/2qx^2$	0	$3/2Fx-Fx^2/b-1/2qx^3/b$	0	$1-2x/b+x^2/b^2$	$(7/24+0)Fb^2/EJ$	$1/3Xb/EJ$	
BA b	x/b	$2Fb-5/2Fx+1/2qx^2$	0	$2Fx-5/2Fx^2/b+1/2qx^3/b$	0	x^2/b^2			
BC b	0	$-2Fb+2Fx$	$-Fb/EJ$	0	0	0	0+0	0	
CB b	0	$2Fx$	Fb/EJ	0	0	0			
AD 2b	1	$-3/4Fx+1/2qx^2$	0	$-3/4Fx+1/2Fx^2/b$	0	1	$(-1/6+0)Fb^2/EJ$	$2Xb/EJ$	
DA 2b	-1	$-1/2Fb+5/4Fx-1/2qx^2$	0	$1/2Fb-5/4Fx+1/2Fx^2/b$	0	1			
DE b	$1-x/b$	$1/2Fb-1/2Fx$	0	$1/2Fb-Fx+1/2Fx^2/b$	0	$1-2x/b+x^2/b^2$	$(1/6+0)Fb^2/EJ$	$1/3Xb/EJ$	
ED b	$-x/b$	$-1/2Fx$	0	$1/2Fx^2/b$	0	x^2/b^2			
EF b	0	0	0	0	0	0	0+0	0	
FE b	0	0	0	0	0	0			
FG b	0	$-1/2Fx$	0	0	0	0	0+0	0	
GF b	0	$1/2Fb-1/2Fx$	0	0	0	0			
GC b	0	$-1/2Fb+Fx-1/2qx^2$	0	0	0	0	0+0	0	
CG b	0	$1/2qx^2$	0	0	0	0			
HG b	0	0	0	0	0	0	0+0	0	
GH b	0	0	0	0	0	0			
HB b	0	$-3/4Fb+3/4Fx$	0	0	0	0	0+0	0	
BH b	0	$3/4Fx$	0	0	0	0			
HE b	0	$3/4Fb-3/4Fx$	0	0	0	0	0+0	0	
EH b	0	$-3/4Fx$	0	0	0	0			
AB	molla asta $-W_{1AB}(W_{0AB}+XW_{1AB})/k_{AB}$								$1/4Xb/EJ$
	totali							$7/24Fb^2/EJ$	$35/12Xb/EJ$
	iperstatica $X=W_{AB}$							$-1/10Fb$	

Sviluppi di calcolo iperstatica

$$L_{AB}^{xx} = \int_0^b (1 - 2x/b + x^2/b^2) \cdot 1/EJ \, dx + 1 \cdot 1/4 \cdot b/EJ = \left[x - x^2/b + 1/3 x^3/b^2 \right]_0^b \cdot 1/EJ + 1 \cdot 1/4 \cdot b/EJ$$

$$= (b - b + 1/3 b) \cdot 1/EJ + 1 \cdot 1/4 \cdot b/EJ = 7/12 \cdot b/EJ$$

$$L_{BA}^{xx} = \int_0^b (x^2/b^2) \cdot 1/EJ \, dx + 1 \cdot 1/4 \cdot b/EJ = \left[1/3 x^3/b^2 \right]_0^b \cdot 1/EJ + 1 \cdot 1/4 \cdot b/EJ$$

$$= (1/3 b) \cdot 1/EJ + 1 \cdot 1/4 \cdot b/EJ = 7/12 \cdot b/EJ$$

$$L_{AD}^{xx} = \int_0^{2b} (1) \cdot 1/EJ \, dx = \left[x \right]_0^{2b} \cdot 1/EJ$$

$$= (2b) \cdot 1/EJ = 2 \cdot b/EJ$$

$$L_{DA}^{xx} = \int_0^{2b} (1) \cdot 1/EJ \, dx = \left[x \right]_0^{2b} \cdot 1/EJ$$

$$= (2b) \cdot 1/EJ = 2 \cdot b/EJ$$

$$L_{DE}^{xx} = \int_0^b (1 - 2x/b + x^2/b^2) \cdot 1/EJ \, dx = \left[x - x^2/b + 1/3 x^3/b^2 \right]_0^b \cdot 1/EJ$$

$$= (b - b + 1/3 b) \cdot 1/EJ = 1/3 \cdot b/EJ$$

$$L_{ED}^{xx} = \int_0^b (x^2/b^2) \cdot 1/EJ \, dx = \left[1/3 x^3/b^2 \right]_0^b \cdot 1/EJ$$

$$= (1/3 b) \cdot 1/EJ = 1/3 \cdot b/EJ$$

$$L_{AB}^{xo} = \int_0^b (3/2 x/b - x^2/b^2 - 1/2 x^3/b^3) \cdot Fb \cdot 1/EJ \, dx + 1 \cdot 0 \cdot 1/4 \cdot Fb^2/EJ$$

$$= \left[3/4 x^2/b - 1/3 x^3/b^2 - 1/8 x^4/b^3 \right]_0^b \cdot Fb \cdot 1/EJ + 1 \cdot 0 \cdot 1/4 \cdot Fb^2/EJ$$

$$= (3/4 b - 1/3 b - 1/8 b) \cdot Fb \cdot 1/EJ + 1 \cdot 0 \cdot 1/4 \cdot Fb^2/EJ = 7/24 \cdot Fb^2/EJ$$

$$L_{BA}^{xo} = \int_0^b (2x/b - 5/2 x^2/b^2 + 1/2 x^3/b^3) \cdot Fb \cdot 1/EJ \, dx + 1 \cdot 0 \cdot 1/4 \cdot Fb^2/EJ$$

$$= \left[x^2/b - 5/6 x^3/b^2 + 1/8 x^4/b^3 \right]_0^b \cdot Fb \cdot 1/EJ + 1 \cdot 0 \cdot 1/4 \cdot Fb^2/EJ$$

$$= (b - 5/6 b + 1/8 b) \cdot Fb \cdot 1/EJ + 1 \cdot 0 \cdot 1/4 \cdot Fb^2/EJ = 7/24 \cdot Fb^2/EJ$$

$$L_{AD}^{xo} = \int_0^{2b} (-3/4 x/b + 1/2 x^2/b^2) \cdot Fb \cdot 1/EJ \, dx = \left[-3/8 x^2/b + 1/6 x^3/b^2 \right]_0^{2b} \cdot Fb \cdot 1/EJ$$

$$= (-3/2 b + 4/3 b) \cdot Fb \cdot 1/EJ = -1/6 \cdot Fb^2/EJ$$

$$L_{DA}^{xo} = \int_0^{2b} (1/2 - 5/4 x/b + 1/2 x^2/b^2) \cdot Fb \cdot 1/EJ \, dx = \left[1/2 x - 5/8 x^2/b + 1/6 x^3/b^2 \right]_0^{2b} \cdot Fb \cdot 1/EJ$$

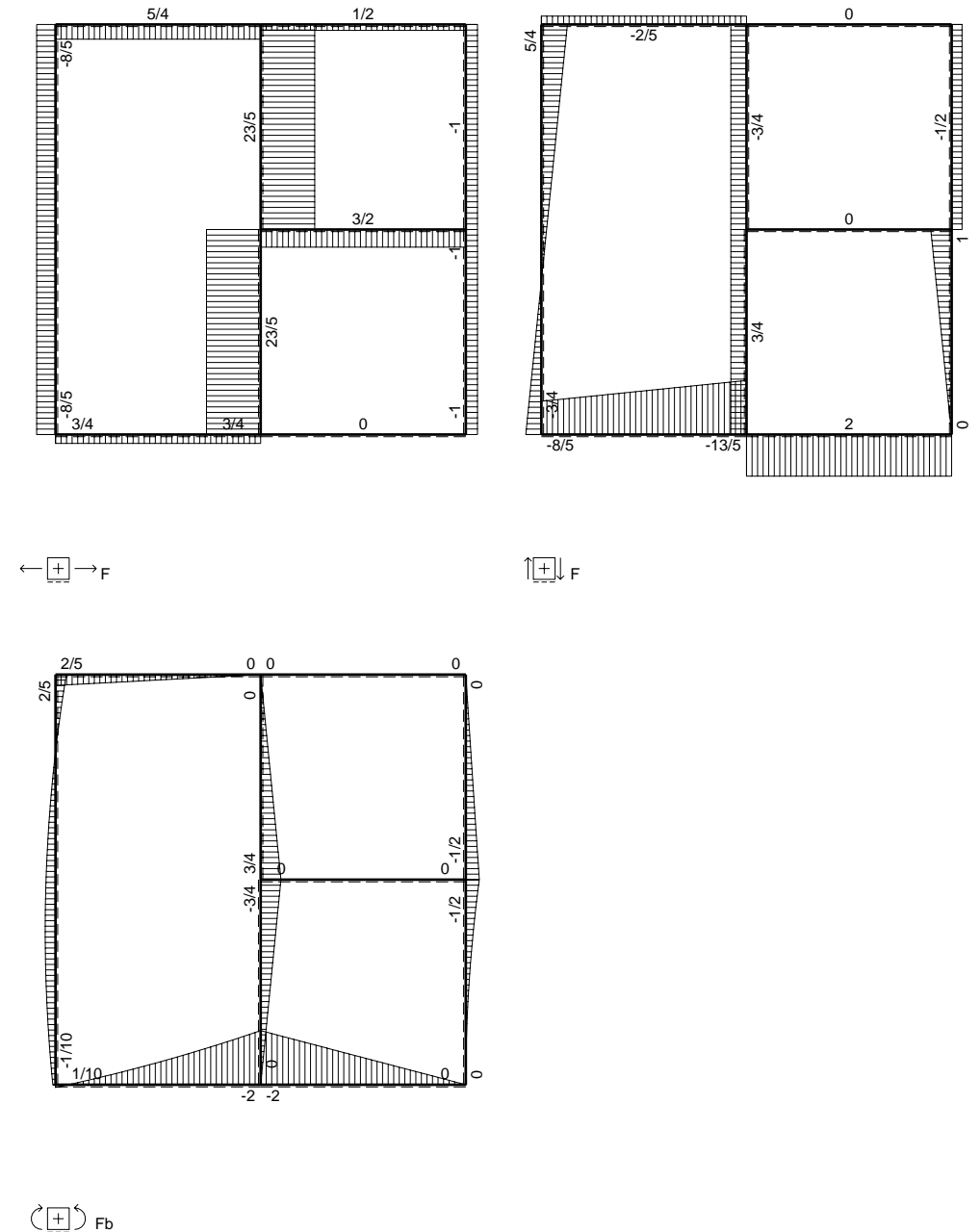
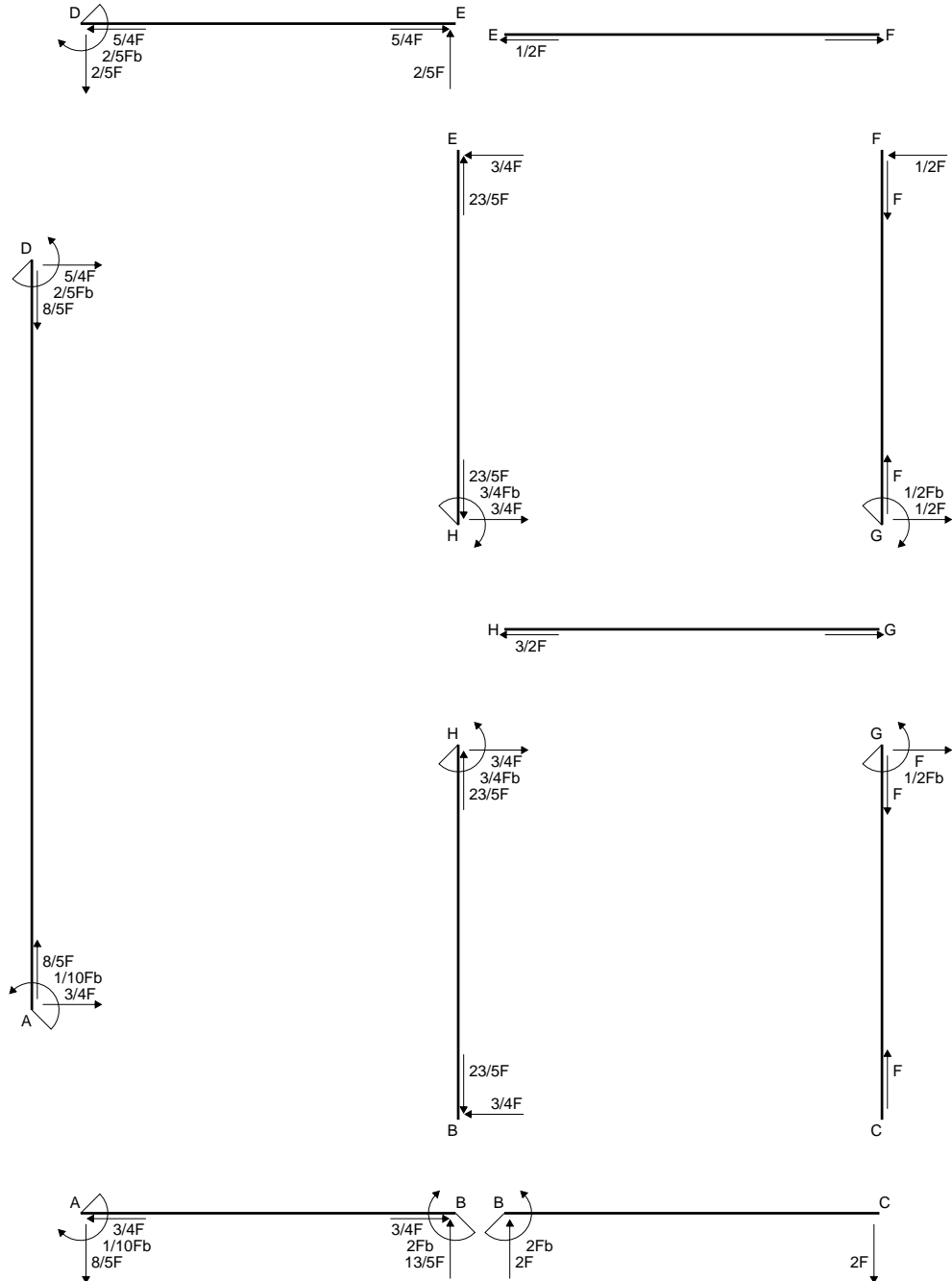
$$= (b - 5/2 b + 4/3 b) \cdot Fb \cdot 1/EJ = -1/6 \cdot Fb^2/EJ$$

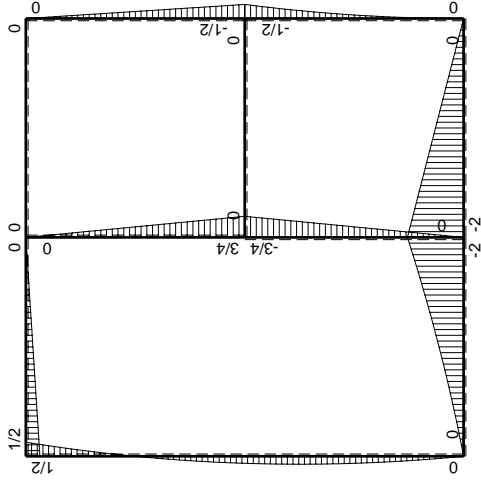
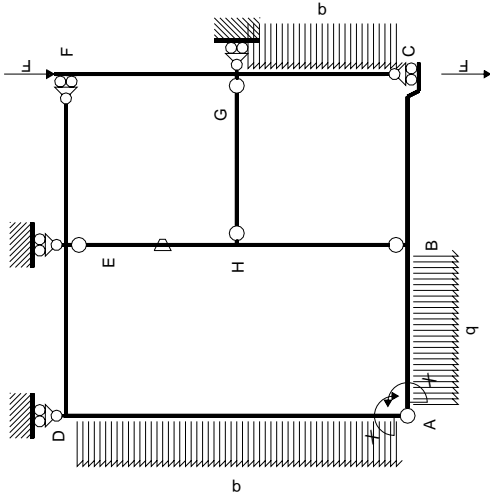
$$L_{DE}^{xo} = \int_0^b (1/2 - x/b + 1/2 x^2/b^2) \cdot Fb \cdot 1/EJ \, dx = \left[1/2 x - 1/2 x^2/b + 1/6 x^3/b^2 \right]_0^b \cdot Fb \cdot 1/EJ$$

$$= (1/2 b - 1/2 b + 1/6 b) \cdot Fb \cdot 1/EJ = 1/6 \cdot Fb^2/EJ$$

$$L_{ED}^{xo} = \int_0^b (1/2 x^2/b^2) \cdot Fb \cdot 1/EJ \, dx = \left[1/6 x^3/b^2 \right]_0^b \cdot Fb \cdot 1/EJ$$

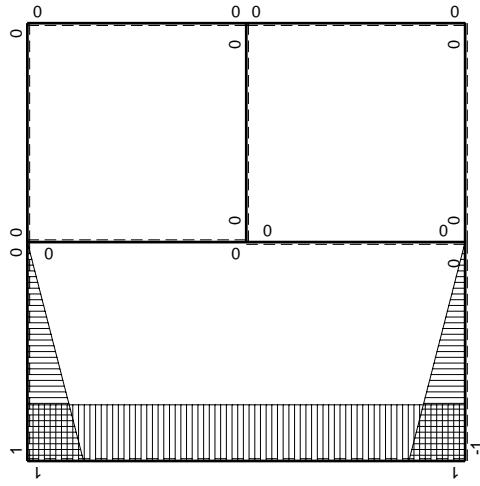
$$= (1/6 b) \cdot Fb \cdot 1/EJ = 1/6 \cdot Fb^2/EJ$$





Schema di calcolo iperstatico

M_0 flessione da carichi assegnati



M_x flessione da iperstatica $X=1$

Quadro contributi PLV per iperstatica $X=W_{AB}$

→	$M_x(x)$	$M_o(x)$	θ	$M_x M_o$	$M_x \theta$	$M_x M_x$	$\int M_x(M_o/EJ+\theta)dx$	$\int X M_x M_x/EJ dx$
AB b	$-1+x/b$	$-3/2Fx-1/2qx^2$	0	$3/2Fx-Fx^2/b-1/2qx^3/b$	0	$1-2x/b+x^2/b^2$	$(7/24+0)Fb^2/EJ$	$1/3Xb/EJ$
BA b	x/b	$2Fb-5/2Fx+1/2qx^2$	0	$2Fx-5/2Fx^2/b+1/2qx^3/b$	0	x^2/b^2		
BC b	0	$-2Fb+2Fx$	0	0	0	0	0+0	0
CB b	0	$2Fx$	0	0	0	0		
AD 2b	1	$-3/4Fx+1/2qx^2$	0	$-3/4Fx+1/2Fx^2/b$	0	1	$(-1/6+0)Fb^2/EJ$	$2Xb/EJ$
DA 2b	-1	$-1/2Fb+5/4Fx-1/2qx^2$	0	$1/2Fb-5/4Fx+1/2Fx^2/b$	0	1		
DE b	$1-x/b$	$1/2Fb-1/2Fx$	0	$1/2Fb-Fx+1/2Fx^2/b$	0	$1-2x/b+x^2/b^2$	$(1/6+0)Fb^2/EJ$	$1/3Xb/EJ$
ED b	$-x/b$	$-1/2Fx$	0	$1/2Fx^2/b$	0	x^2/b^2		
EF b	0	0	0	0	0	0	0+0	0
FE b	0	0	0	0	0	0		
FG b	0	$-1/2Fx$	0	0	0	0	0+0	0
GF b	0	$1/2Fb-1/2Fx$	0	0	0	0		
GC b	0	$-1/2Fb+Fx-1/2qx^2$	0	0	0	0	0+0	0
CG b	0	$1/2qx^2$	0	0	0	0		
HG b	0	0	0	0	0	0	0+0	0
GH b	0	0	0	0	0	0		
HB b	0	$-3/4Fb+3/4Fx$	0	0	0	0	0+0	0
BH b	0	$3/4Fx$	0	0	0	0		
HE b	0	$3/4Fb-3/4Fx$	$-Fb/EJ$	0	0	0	0+0	0
EH b	0	$-3/4Fx$	Fb/EJ	0	0	0		
AB	molla asta $-W_{1AB}(W_{0AB}+XW_{1AB})/k_{AB}$							$1/4Xb/EJ$
	totali						$7/24Fb^2/EJ$	$35/12Xb/EJ$
	iperstatica $X=W_{AB}$						$-1/10Fb$	

Sviluppi di calcolo iperstatica

$$L_{AB}^{xx} = \int_0^b (1 - 2x/b + x^2/b^2) \cdot 1/EJ \, dx + 1 \cdot 1/4 \cdot b/EJ = \left[x - x^2/b + 1/3 x^3/b^2 \right]_0^b \cdot 1/EJ + 1 \cdot 1/4 \cdot b/EJ$$

$$= (b - b + 1/3 b) \cdot 1/EJ + 1 \cdot 1/4 \cdot b/EJ = 7/12 \cdot b/EJ$$

$$L_{BA}^{xx} = \int_0^b (x^2/b^2) \cdot 1/EJ \, dx + 1 \cdot 1/4 \cdot b/EJ = \left[1/3 x^3/b^2 \right]_0^b \cdot 1/EJ + 1 \cdot 1/4 \cdot b/EJ$$

$$= (1/3 b) \cdot 1/EJ + 1 \cdot 1/4 \cdot b/EJ = 7/12 \cdot b/EJ$$

$$L_{AD}^{xx} = \int_0^{2b} (1) \cdot 1/EJ \, dx = \left[x \right]_0^{2b} \cdot 1/EJ$$

$$= (2b) \cdot 1/EJ = 2 \cdot b/EJ$$

$$L_{DA}^{xx} = \int_0^{2b} (1) \cdot 1/EJ \, dx = \left[x \right]_0^{2b} \cdot 1/EJ$$

$$= (2b) \cdot 1/EJ = 2 \cdot b/EJ$$

$$L_{DE}^{xx} = \int_0^b (1 - 2x/b + x^2/b^2) \cdot 1/EJ \, dx = \left[x - x^2/b + 1/3 x^3/b^2 \right]_0^b \cdot 1/EJ$$

$$= (b - b + 1/3 b) \cdot 1/EJ = 1/3 \cdot b/EJ$$

$$L_{ED}^{xx} = \int_0^b (x^2/b^2) \cdot 1/EJ \, dx = \left[1/3 x^3/b^2 \right]_0^b \cdot 1/EJ$$

$$= (1/3 b) \cdot 1/EJ = 1/3 \cdot b/EJ$$

$$L_{AB}^{xo} = \int_0^b (3/2 x/b - x^2/b^2 - 1/2 x^3/b^3) \cdot Fb \cdot 1/EJ \, dx + 1 \cdot 0 \cdot 1/4 \cdot Fb^2/EJ$$

$$= \left[3/4 x^2/b - 1/3 x^3/b^2 - 1/8 x^4/b^3 \right]_0^b \cdot Fb \cdot 1/EJ + 1 \cdot 0 \cdot 1/4 \cdot Fb^2/EJ$$

$$= (3/4 b - 1/3 b - 1/8 b) \cdot Fb \cdot 1/EJ + 1 \cdot 0 \cdot 1/4 \cdot Fb^2/EJ = 7/24 \cdot Fb^2/EJ$$

$$L_{BA}^{xo} = \int_0^b (2x/b - 5/2 x^2/b^2 + 1/2 x^3/b^3) \cdot Fb \cdot 1/EJ \, dx + 1 \cdot 0 \cdot 1/4 \cdot Fb^2/EJ$$

$$= \left[x^2/b - 5/6 x^3/b^2 + 1/8 x^4/b^3 \right]_0^b \cdot Fb \cdot 1/EJ + 1 \cdot 0 \cdot 1/4 \cdot Fb^2/EJ$$

$$= (b - 5/6 b + 1/8 b) \cdot Fb \cdot 1/EJ + 1 \cdot 0 \cdot 1/4 \cdot Fb^2/EJ = 7/24 \cdot Fb^2/EJ$$

$$L_{AD}^{xo} = \int_0^{2b} (-3/4 x/b + 1/2 x^2/b^2) \cdot Fb \cdot 1/EJ \, dx = \left[-3/8 x^2/b + 1/6 x^3/b^2 \right]_0^{2b} \cdot Fb \cdot 1/EJ$$

$$= (-3/2 b + 4/3 b) \cdot Fb \cdot 1/EJ = -1/6 \cdot Fb^2/EJ$$

$$L_{DA}^{xo} = \int_0^{2b} (1/2 - 5/4 x/b + 1/2 x^2/b^2) \cdot Fb \cdot 1/EJ \, dx = \left[1/2 x - 5/8 x^2/b + 1/6 x^3/b^2 \right]_0^{2b} \cdot Fb \cdot 1/EJ$$

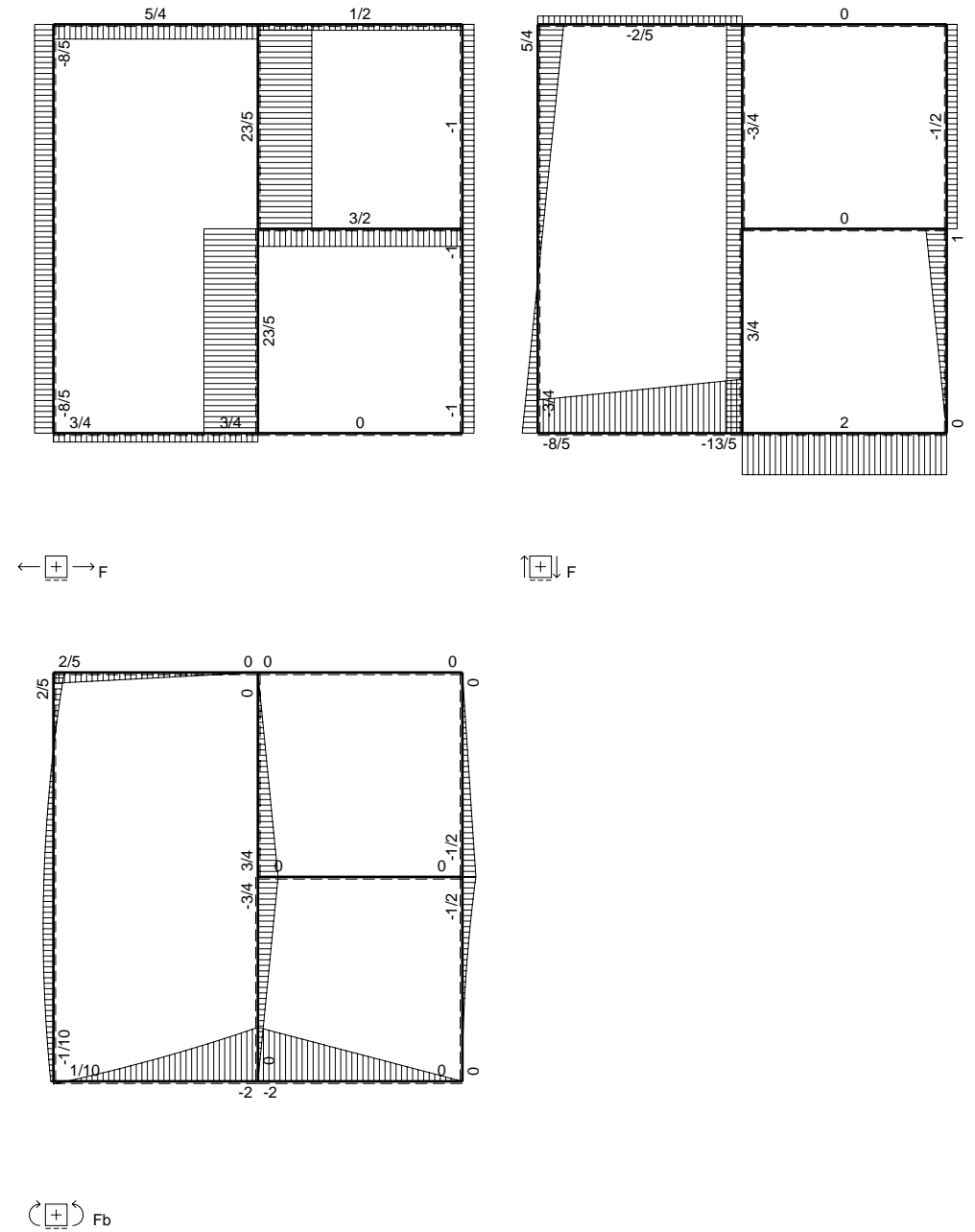
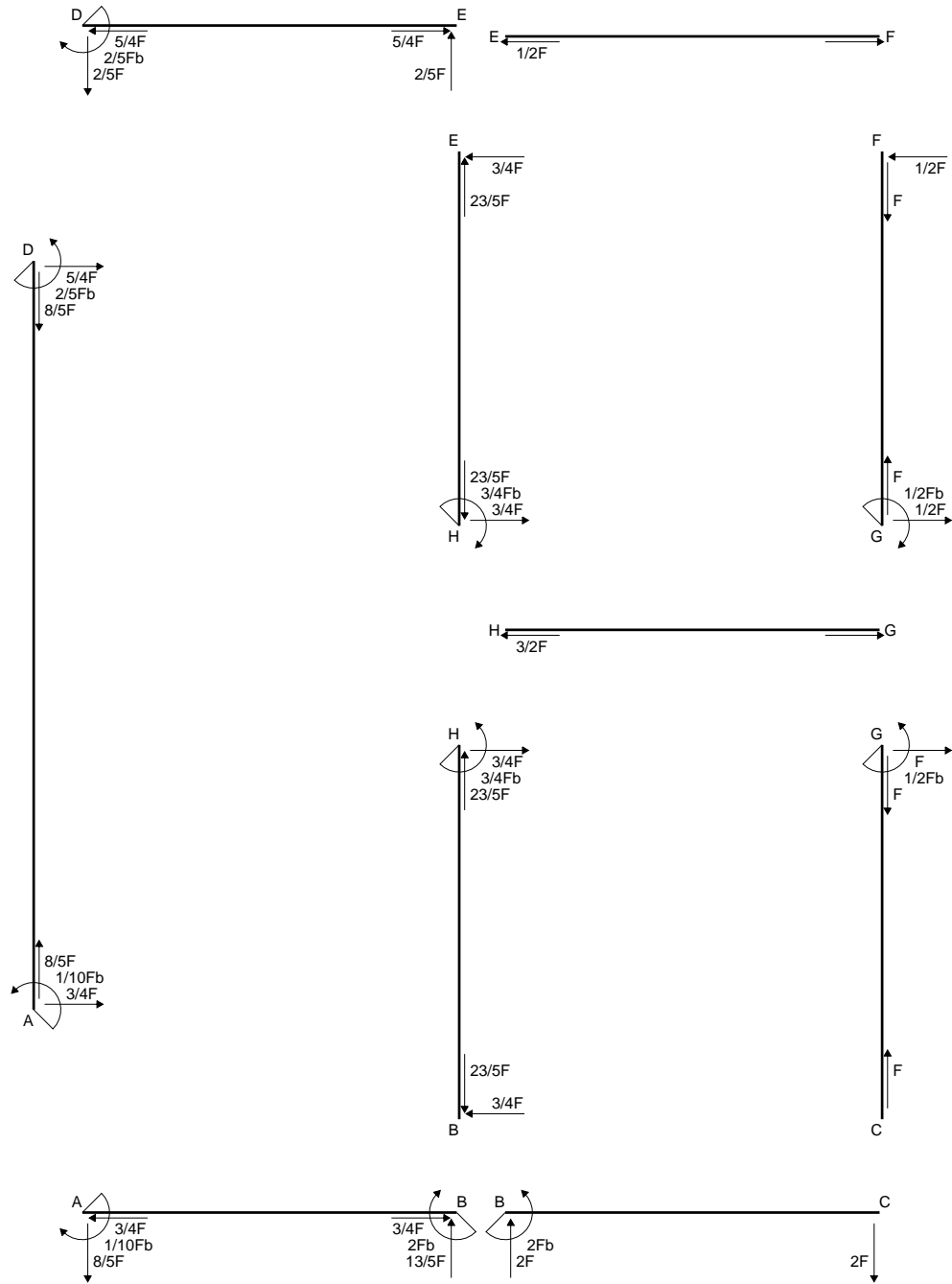
$$= (b - 5/2 b + 4/3 b) \cdot Fb \cdot 1/EJ = -1/6 \cdot Fb^2/EJ$$

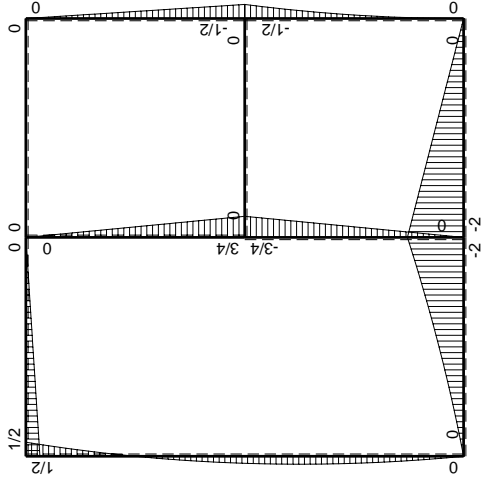
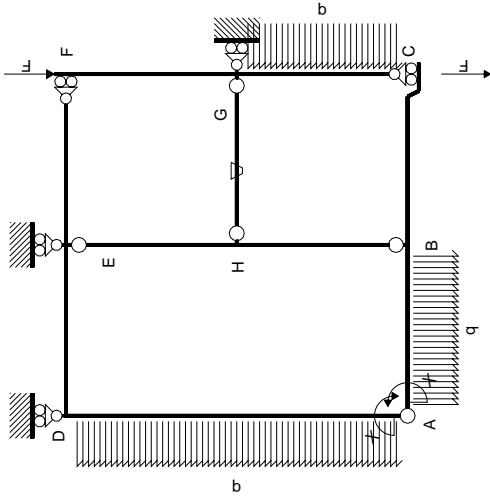
$$L_{DE}^{xo} = \int_0^b (1/2 - x/b + 1/2 x^2/b^2) \cdot Fb \cdot 1/EJ \, dx = \left[1/2 x - 1/2 x^2/b + 1/6 x^3/b^2 \right]_0^b \cdot Fb \cdot 1/EJ$$

$$= (1/2 b - 1/2 b + 1/6 b) \cdot Fb \cdot 1/EJ = 1/6 \cdot Fb^2/EJ$$

$$L_{ED}^{xo} = \int_0^b (1/2 x^2/b^2) \cdot Fb \cdot 1/EJ \, dx = \left[1/6 x^3/b^2 \right]_0^b \cdot Fb \cdot 1/EJ$$

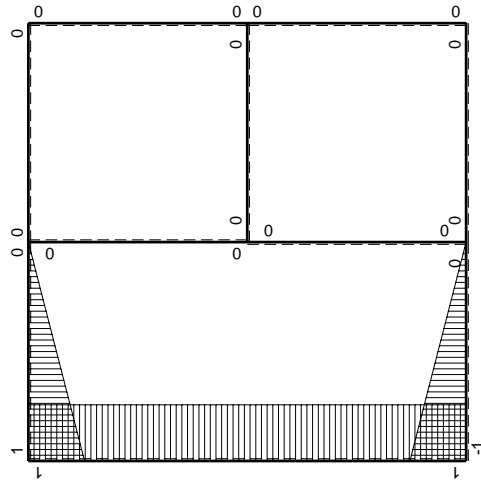
$$= (1/6 b) \cdot Fb \cdot 1/EJ = 1/6 \cdot Fb^2/EJ$$





Schema di calcolo iperstatico

M_0 flessione da carichi assegnati



M_x flessione da iperstatica $X=1$

Quadro contributi PLV per iperstatica $X=W_{AB}$

→	$M_x(x)$	$M_o(x)$	θ	$M_x M_o$	$M_x \theta$	$M_x M_x$	$\int M_x(M_o/EJ+\theta)dx$	$\int X M_x M_x/EJ dx$	
AB b	$-1+x/b$	$-3/2Fx-1/2qx^2$	0	$3/2Fx-Fx^2/b-1/2qx^3/b$	0	$1-2x/b+x^2/b^2$	$(7/24+0)Fb^2/EJ$	$1/3Xb/EJ$	
BA b	x/b	$2Fb-5/2Fx+1/2qx^2$	0	$2Fx-5/2Fx^2/b+1/2qx^3/b$	0	x^2/b^2			
BC b	0	$-2Fb+2Fx$	0	0	0	0	0+0	0	
CB b	0	$2Fx$	0	0	0	0			
AD 2b	1	$-3/4Fx+1/2qx^2$	0	$-3/4Fx+1/2Fx^2/b$	0	1	$(-1/6+0)Fb^2/EJ$	$2Xb/EJ$	
DA 2b	-1	$-1/2Fb+5/4Fx-1/2qx^2$	0	$1/2Fb-5/4Fx+1/2Fx^2/b$	0	1			
DE b	$1-x/b$	$1/2Fb-1/2Fx$	0	$1/2Fb-Fx+1/2Fx^2/b$	0	$1-2x/b+x^2/b^2$	$(1/6+0)Fb^2/EJ$	$1/3Xb/EJ$	
ED b	$-x/b$	$-1/2Fx$	0	$1/2Fx^2/b$	0	x^2/b^2			
EF b	0	0	0	0	0	0	0+0	0	
FE b	0	0	0	0	0	0			
FG b	0	$-1/2Fx$	0	0	0	0	0+0	0	
GF b	0	$1/2Fb-1/2Fx$	0	0	0	0			
GC b	0	$-1/2Fb+Fx-1/2qx^2$	0	0	0	0	0+0	0	
CG b	0	$1/2qx^2$	0	0	0	0			
HG b	0	0	$-Fb/EJ$	0	0	0	0+0	0	
GH b	0	0	Fb/EJ	0	0	0			
HB b	0	$-3/4Fb+3/4Fx$	0	0	0	0	0+0	0	
BH b	0	$3/4Fx$	0	0	0	0			
HE b	0	$3/4Fb-3/4Fx$	0	0	0	0	0+0	0	
EH b	0	$-3/4Fx$	0	0	0	0			
AB	molla asta $-W_{1AB}(W_{0AB}+XW_{1AB})/k_{AB}$								$1/4Xb/EJ$
	totali							$7/24Fb^2/EJ$	$35/12Xb/EJ$
	iperstatica $X=W_{AB}$							$-1/10Fb$	

Sviluppi di calcolo iperstatica

$$L_{AB}^{xx} = \int_0^b (1 - 2x/b + x^2/b^2) \frac{1}{EJ} dx + 1 \cdot \frac{1}{4} \frac{b}{EJ} = \left[x - x^2/b + 1/3 x^3/b^2 \right]_0^b \frac{1}{EJ} + 1 \cdot \frac{1}{4} \frac{b}{EJ}$$

$$= (b - b + 1/3 b) \frac{1}{EJ} + 1 \cdot \frac{1}{4} \frac{b}{EJ} = 7/12 \frac{b}{EJ}$$

$$L_{BA}^{xx} = \int_0^b (x^2/b^2) \frac{1}{EJ} dx + 1 \cdot \frac{1}{4} \frac{b}{EJ} = \left[1/3 x^3/b^2 \right]_0^b \frac{1}{EJ} + 1 \cdot \frac{1}{4} \frac{b}{EJ}$$

$$= (1/3 b) \frac{1}{EJ} + 1 \cdot \frac{1}{4} \frac{b}{EJ} = 7/12 \frac{b}{EJ}$$

$$L_{AD}^{xx} = \int_0^{2b} (1) \frac{1}{EJ} dx = \left[x \right]_0^{2b} \frac{1}{EJ}$$

$$= (2b) \frac{1}{EJ} = 2 \frac{b}{EJ}$$

$$L_{DA}^{xx} = \int_0^{2b} (1) \frac{1}{EJ} dx = \left[x \right]_0^{2b} \frac{1}{EJ}$$

$$= (2b) \frac{1}{EJ} = 2 \frac{b}{EJ}$$

$$L_{DE}^{xx} = \int_0^b (1 - 2x/b + x^2/b^2) \frac{1}{EJ} dx = \left[x - x^2/b + 1/3 x^3/b^2 \right]_0^b \frac{1}{EJ}$$

$$= (b - b + 1/3 b) \frac{1}{EJ} = 1/3 \frac{b}{EJ}$$

$$L_{ED}^{xx} = \int_0^b (x^2/b^2) \frac{1}{EJ} dx = \left[1/3 x^3/b^2 \right]_0^b \frac{1}{EJ}$$

$$= (1/3 b) \frac{1}{EJ} = 1/3 \frac{b}{EJ}$$

$$L_{AB}^{xo} = \int_0^b (3/2 x/b - x^2/b^2 - 1/2 x^3/b^3) Fb \frac{1}{EJ} dx + 1 \cdot 0 \cdot \frac{1}{4} \frac{Fb^2}{EJ}$$

$$= \left[3/4 x^2/b - 1/3 x^3/b^2 - 1/8 x^4/b^3 \right]_0^b Fb \frac{1}{EJ} + 1 \cdot 0 \cdot \frac{1}{4} \frac{Fb^2}{EJ}$$

$$= (3/4 b - 1/3 b - 1/8 b) Fb \frac{1}{EJ} + 1 \cdot 0 \cdot \frac{1}{4} \frac{Fb^2}{EJ} = 7/24 \frac{Fb^2}{EJ}$$

$$L_{BA}^{xo} = \int_0^b (2x/b - 5/2 x^2/b^2 + 1/2 x^3/b^3) Fb \frac{1}{EJ} dx + 1 \cdot 0 \cdot \frac{1}{4} \frac{Fb^2}{EJ}$$

$$= \left[x^2/b - 5/6 x^3/b^2 + 1/8 x^4/b^3 \right]_0^b Fb \frac{1}{EJ} + 1 \cdot 0 \cdot \frac{1}{4} \frac{Fb^2}{EJ}$$

$$= (b - 5/6 b + 1/8 b) Fb \frac{1}{EJ} + 1 \cdot 0 \cdot \frac{1}{4} \frac{Fb^2}{EJ} = 7/24 \frac{Fb^2}{EJ}$$

$$L_{AD}^{xo} = \int_0^{2b} (-3/4 x/b + 1/2 x^2/b^2) Fb \frac{1}{EJ} dx = \left[-3/8 x^2/b + 1/6 x^3/b^2 \right]_0^{2b} Fb \frac{1}{EJ}$$

$$= (-3/2 b + 4/3 b) Fb \frac{1}{EJ} = -1/6 \frac{Fb^2}{EJ}$$

$$L_{DA}^{xo} = \int_0^{2b} (1/2 - 5/4 x/b + 1/2 x^2/b^2) Fb \frac{1}{EJ} dx = \left[1/2 x - 5/8 x^2/b + 1/6 x^3/b^2 \right]_0^{2b} Fb \frac{1}{EJ}$$

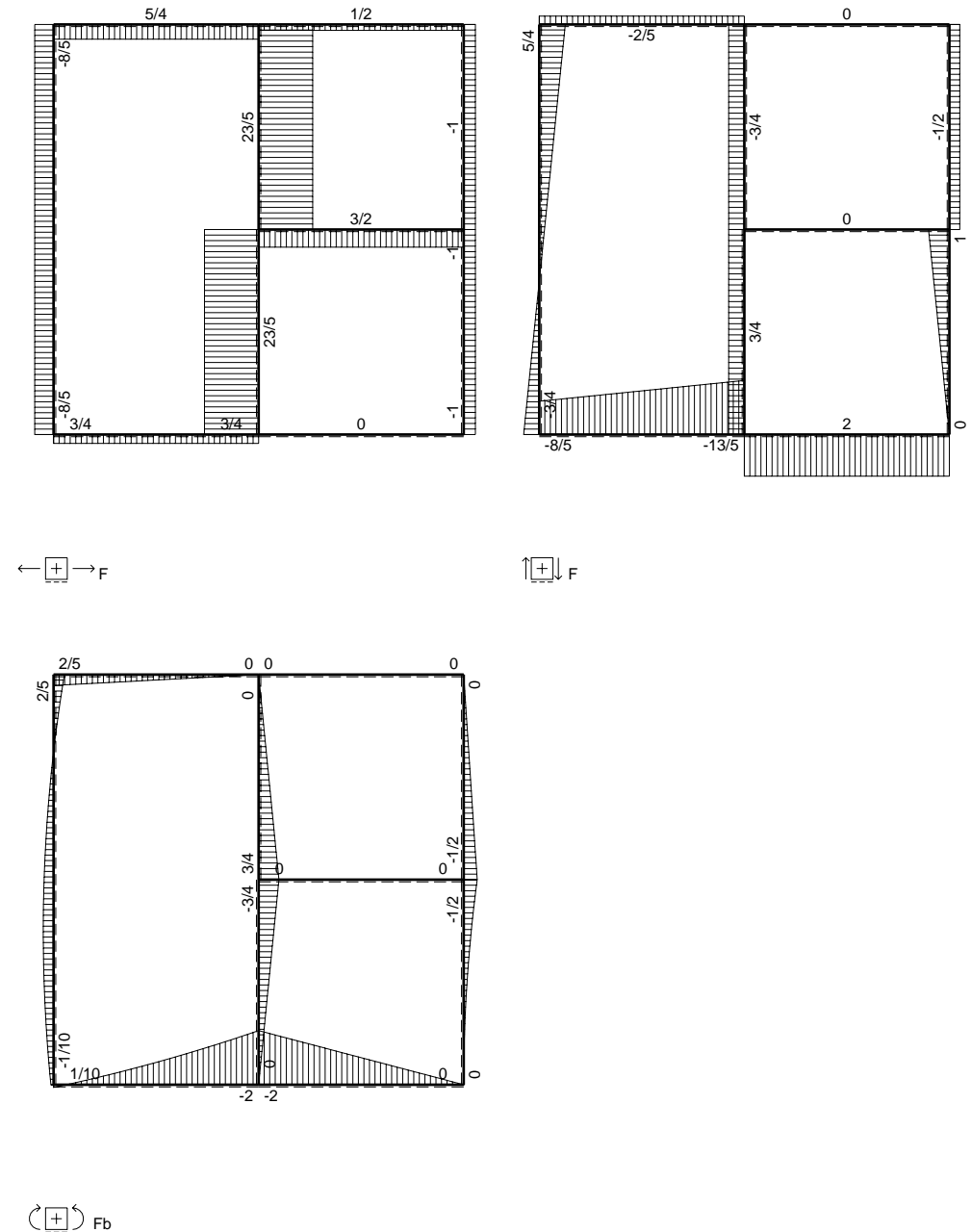
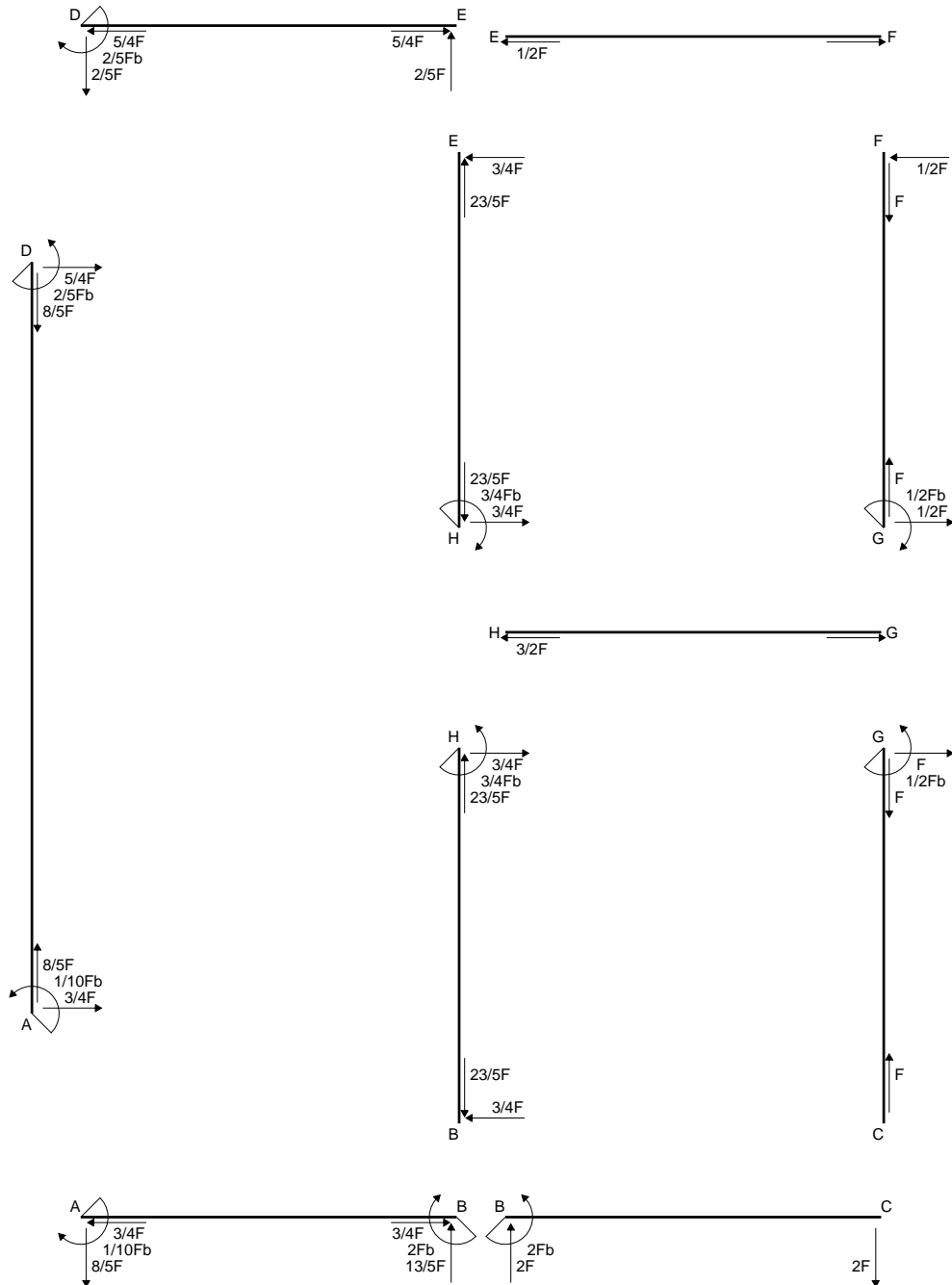
$$= (b - 5/2 b + 4/3 b) Fb \frac{1}{EJ} = -1/6 \frac{Fb^2}{EJ}$$

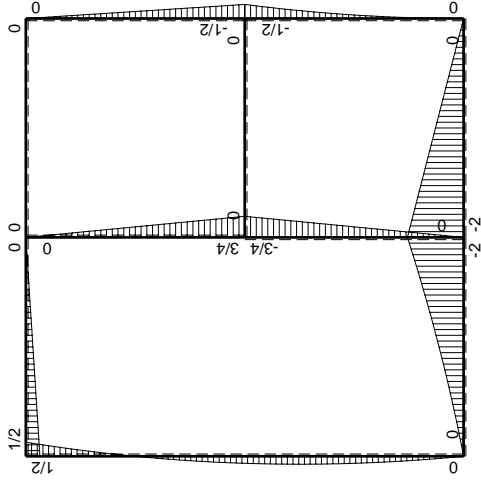
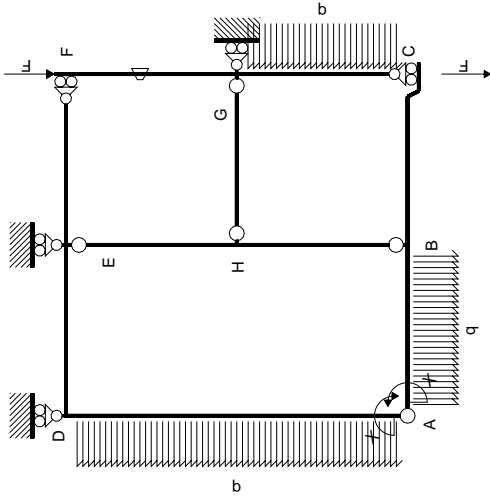
$$L_{DE}^{xo} = \int_0^b (1/2 - x/b + 1/2 x^2/b^2) Fb \frac{1}{EJ} dx = \left[1/2 x - 1/2 x^2/b + 1/6 x^3/b^2 \right]_0^b Fb \frac{1}{EJ}$$

$$= (1/2 b - 1/2 b + 1/6 b) Fb \frac{1}{EJ} = 1/6 \frac{Fb^2}{EJ}$$

$$L_{ED}^{xo} = \int_0^b (1/2 x^2/b^2) Fb \frac{1}{EJ} dx = \left[1/6 x^3/b^2 \right]_0^b Fb \frac{1}{EJ}$$

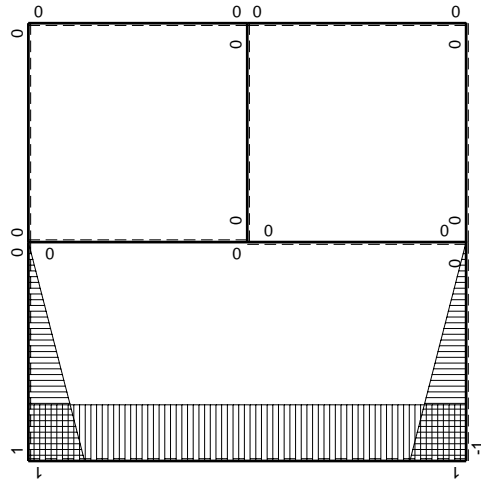
$$= (1/6 b) Fb \frac{1}{EJ} = 1/6 \frac{Fb^2}{EJ}$$





Schema di calcolo iperstatico

M_0 flessione da carichi assegnati



M_x flessione da iperstatica $X=1$

Quadro contributi PLV per iperstatica $X=W_{AB}$

→	$M_x(x)$	$M_o(x)$	θ	$M_x M_o$	$M_x \theta$	$M_x M_x$	$\int M_x(M_o/EJ+\theta)dx$	$\int X M_x M_x/EJdx$
AB b	$-1+x/b$	$-3/2Fx-1/2qx^2$	0	$3/2Fx-Fx^2/b-1/2qx^3/b$	0	$1-2x/b+x^2/b^2$	$(7/24+0)Fb^2/EJ$	$1/3Xb/EJ$
BA b	x/b	$2Fb-5/2Fx+1/2qx^2$	0	$2Fx-5/2Fx^2/b+1/2qx^3/b$	0	x^2/b^2		
BC b	0	$-2Fb+2Fx$	0	0	0	0	0+0	0
CB b	0	$2Fx$	0	0	0	0		
AD 2b	1	$-3/4Fx+1/2qx^2$	0	$-3/4Fx+1/2Fx^2/b$	0	1	$(-1/6+0)Fb^2/EJ$	$2Xb/EJ$
DA 2b	-1	$-1/2Fb+5/4Fx-1/2qx^2$	0	$1/2Fb-5/4Fx+1/2Fx^2/b$	0	1		
DE b	$1-x/b$	$1/2Fb-1/2Fx$	0	$1/2Fb-Fx+1/2Fx^2/b$	0	$1-2x/b+x^2/b^2$	$(1/6+0)Fb^2/EJ$	$1/3Xb/EJ$
ED b	$-x/b$	$-1/2Fx$	0	$1/2Fx^2/b$	0	x^2/b^2		
EF b	0	0	0	0	0	0	0+0	0
FE b	0	0	0	0	0	0		
FG b	0	$-1/2Fx$	$-Fb/EJ$	0	0	0	0+0	0
GF b	0	$1/2Fb-1/2Fx$	Fb/EJ	0	0	0		
GC b	0	$-1/2Fb+Fx-1/2qx^2$	0	0	0	0	0+0	0
CG b	0	$1/2qx^2$	0	0	0	0		
HG b	0	0	0	0	0	0	0+0	0
GH b	0	0	0	0	0	0		
HB b	0	$-3/4Fb+3/4Fx$	0	0	0	0	0+0	0
BH b	0	$3/4Fx$	0	0	0	0		
HE b	0	$3/4Fb-3/4Fx$	0	0	0	0	0+0	0
EH b	0	$-3/4Fx$	0	0	0	0		
AB	molla asta $-W_{1AB}(W_{0AB}+XW_{1AB})/k_{AB}$							$1/4Xb/EJ$
	totali						$7/24Fb^2/EJ$	$35/12Xb/EJ$
	iperstatica $X=W_{AB}$						$-1/10Fb$	

Sviluppi di calcolo iperstatica

$$L_{AB}^{xx} = \int_0^b (1 - 2x/b + x^2/b^2) \cdot 1/EJ \, dx + 1 \cdot 1/4 \cdot b/EJ = \left[x - x^2/b + 1/3 x^3/b^2 \right]_0^b \cdot 1/EJ + 1 \cdot 1/4 \cdot b/EJ$$

$$= (b - b + 1/3 b) \cdot 1/EJ + 1 \cdot 1/4 \cdot b/EJ = 7/12 \cdot b/EJ$$

$$L_{BA}^{xx} = \int_0^b (x^2/b^2) \cdot 1/EJ \, dx + 1 \cdot 1/4 \cdot b/EJ = \left[1/3 x^3/b^2 \right]_0^b \cdot 1/EJ + 1 \cdot 1/4 \cdot b/EJ$$

$$= (1/3 b) \cdot 1/EJ + 1 \cdot 1/4 \cdot b/EJ = 7/12 \cdot b/EJ$$

$$L_{AD}^{xx} = \int_0^{2b} (1) \cdot 1/EJ \, dx = \left[x \right]_0^{2b} \cdot 1/EJ$$

$$= (2b) \cdot 1/EJ = 2 \cdot b/EJ$$

$$L_{DA}^{xx} = \int_0^{2b} (1) \cdot 1/EJ \, dx = \left[x \right]_0^{2b} \cdot 1/EJ$$

$$= (2b) \cdot 1/EJ = 2 \cdot b/EJ$$

$$L_{DE}^{xx} = \int_0^b (1 - 2x/b + x^2/b^2) \cdot 1/EJ \, dx = \left[x - x^2/b + 1/3 x^3/b^2 \right]_0^b \cdot 1/EJ$$

$$= (b - b + 1/3 b) \cdot 1/EJ = 1/3 \cdot b/EJ$$

$$L_{ED}^{xx} = \int_0^b (x^2/b^2) \cdot 1/EJ \, dx = \left[1/3 x^3/b^2 \right]_0^b \cdot 1/EJ$$

$$= (1/3 b) \cdot 1/EJ = 1/3 \cdot b/EJ$$

$$L_{AB}^{xo} = \int_0^b (3/2 x/b - x^2/b^2 - 1/2 x^3/b^3) \cdot Fb \cdot 1/EJ \, dx + 1 \cdot 0 \cdot 1/4 \cdot Fb^2/EJ$$

$$= \left[3/4 x^2/b - 1/3 x^3/b^2 - 1/8 x^4/b^3 \right]_0^b \cdot Fb \cdot 1/EJ + 1 \cdot 0 \cdot 1/4 \cdot Fb^2/EJ$$

$$= (3/4 b - 1/3 b - 1/8 b) \cdot Fb \cdot 1/EJ + 1 \cdot 0 \cdot 1/4 \cdot Fb^2/EJ = 7/24 \cdot Fb^2/EJ$$

$$L_{BA}^{xo} = \int_0^b (2x/b - 5/2 x^2/b^2 + 1/2 x^3/b^3) \cdot Fb \cdot 1/EJ \, dx + 1 \cdot 0 \cdot 1/4 \cdot Fb^2/EJ$$

$$= \left[x^2/b - 5/6 x^3/b^2 + 1/8 x^4/b^3 \right]_0^b \cdot Fb \cdot 1/EJ + 1 \cdot 0 \cdot 1/4 \cdot Fb^2/EJ$$

$$= (b - 5/6 b + 1/8 b) \cdot Fb \cdot 1/EJ + 1 \cdot 0 \cdot 1/4 \cdot Fb^2/EJ = 7/24 \cdot Fb^2/EJ$$

$$L_{AD}^{xo} = \int_0^{2b} (-3/4 x/b + 1/2 x^2/b^2) \cdot Fb \cdot 1/EJ \, dx = \left[-3/8 x^2/b + 1/6 x^3/b^2 \right]_0^{2b} \cdot Fb \cdot 1/EJ$$

$$= (-3/2 b + 4/3 b) \cdot Fb \cdot 1/EJ = -1/6 \cdot Fb^2/EJ$$

$$L_{DA}^{xo} = \int_0^{2b} (1/2 - 5/4 x/b + 1/2 x^2/b^2) \cdot Fb \cdot 1/EJ \, dx = \left[1/2 x - 5/8 x^2/b + 1/6 x^3/b^2 \right]_0^{2b} \cdot Fb \cdot 1/EJ$$

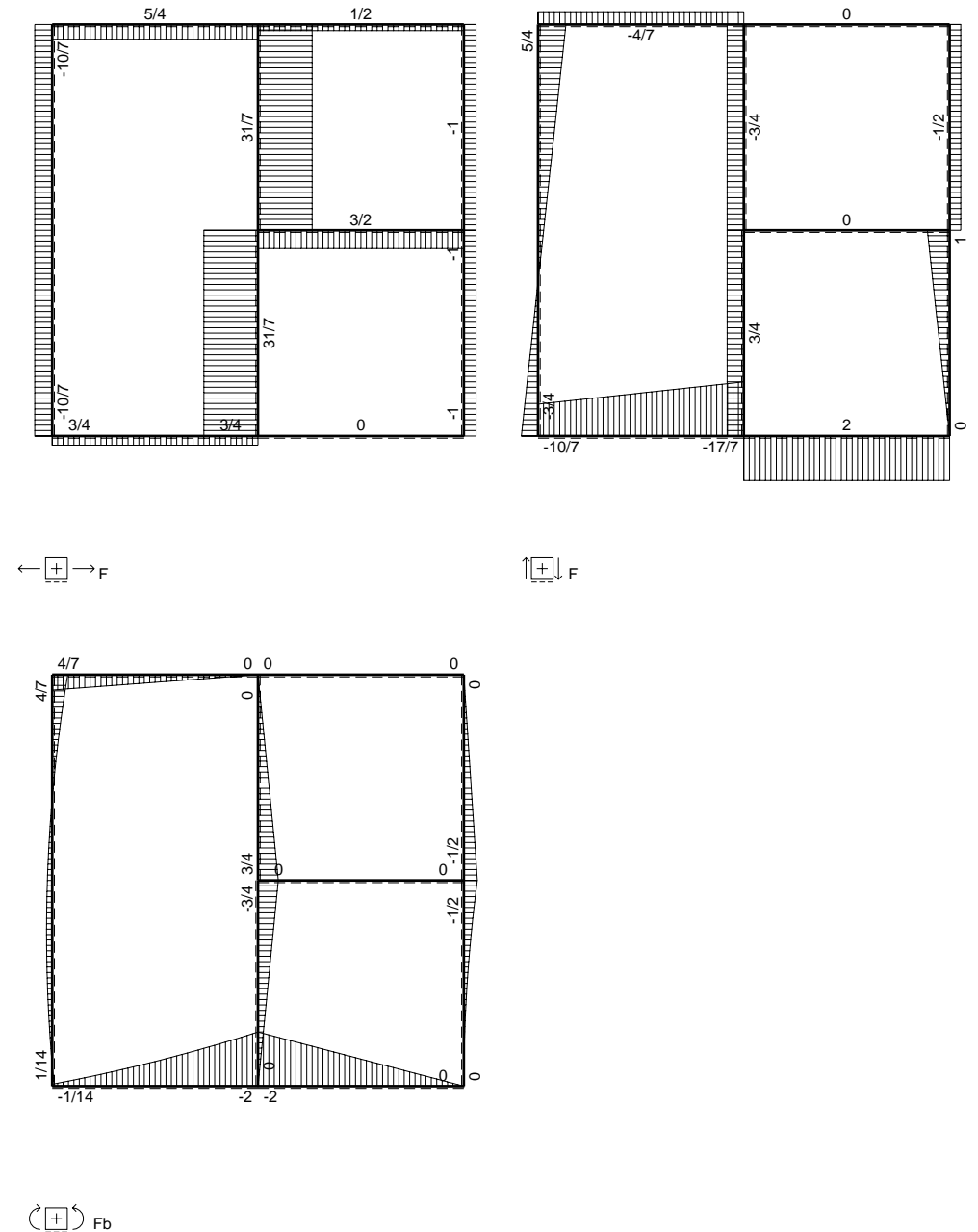
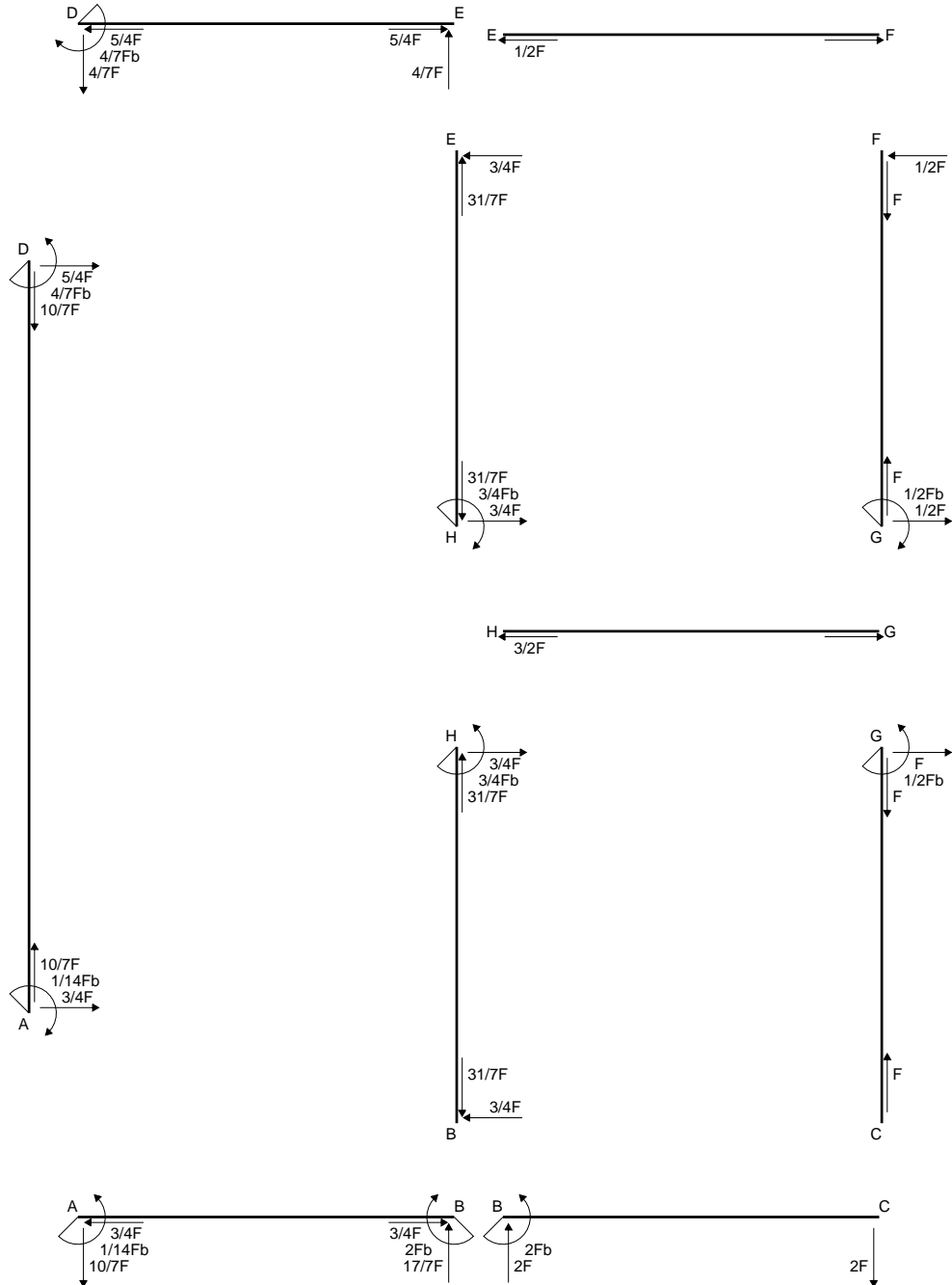
$$= (b - 5/2 b + 4/3 b) \cdot Fb \cdot 1/EJ = -1/6 \cdot Fb^2/EJ$$

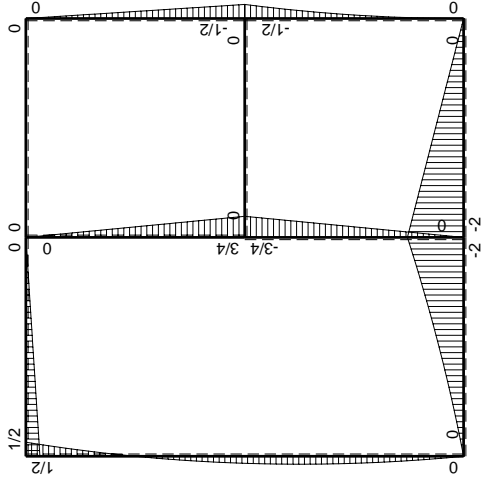
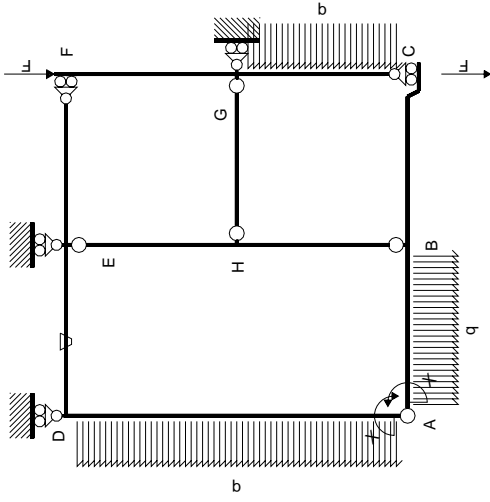
$$L_{DE}^{xo} = \int_0^b (1/2 - x/b + 1/2 x^2/b^2) \cdot Fb \cdot 1/EJ \, dx = \left[1/2 x - 1/2 x^2/b + 1/6 x^3/b^2 \right]_0^b \cdot Fb \cdot 1/EJ$$

$$= (1/2 b - 1/2 b + 1/6 b) \cdot Fb \cdot 1/EJ = 1/6 \cdot Fb^2/EJ$$

$$L_{ED}^{xo} = \int_0^b (1/2 x^2/b^2) \cdot Fb \cdot 1/EJ \, dx = \left[1/6 x^3/b^2 \right]_0^b \cdot Fb \cdot 1/EJ$$

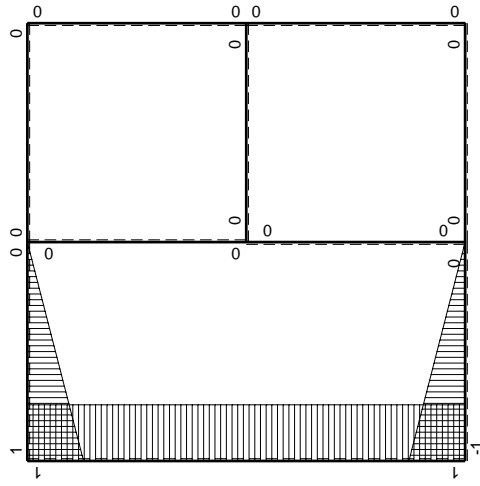
$$= (1/6 b) \cdot Fb \cdot 1/EJ = 1/6 \cdot Fb^2/EJ$$





Schema di calcolo iperstatico

M_0 flessione da carichi assegnati



M_x flessione da iperstatica $X=1$

Quadro contributi PLV per iperstatica $X=W_{AB}$

→	$M_x(x)$	$M_o(x)$	θ	$M_x M_o$	$M_x \theta$	$M_x M_x$	$\int M_x(M_o/EJ+\theta)dx$	$\int X M_x M_x/EJ dx$
AB b	$-1+x/b$	$-3/2Fx-1/2qx^2$	0	$3/2Fx-Fx^2/b-1/2qx^3/b$	0	$1-2x/b+x^2/b^2$	$(7/24+0)Fb^2/EJ$	$1/3Xb/EJ$
BA b	x/b	$2Fb-5/2Fx+1/2qx^2$	0	$2Fx-5/2Fx^2/b+1/2qx^3/b$	0	x^2/b^2		
BC b	0	$-2Fb+2Fx$	0	0	0	0	0+0	0
CB b	0	$2Fx$	0	0	0	0		
AD 2b	1	$-3/4Fx+1/2qx^2$	0	$-3/4Fx+1/2Fx^2/b$	0	1	$(-1/6+0)Fb^2/EJ$	$2Xb/EJ$
DA 2b	-1	$-1/2Fb+5/4Fx-1/2qx^2$	0	$1/2Fb-5/4Fx+1/2Fx^2/b$	0	1		
DE b	$1-x/b$	$1/2Fb-1/2Fx$	$-Fb/EJ$	$1/2Fb-Fx+1/2Fx^2/b$	$-Fb/EJ+Fx/EJ$	$1-2x/b+x^2/b^2$	$(1/6-1/2)Fb^2/EJ$	$1/3Xb/EJ$
ED b	$-x/b$	$-1/2Fx$	Fb/EJ	$1/2Fx^2/b$	$-Fx/EJ$	x^2/b^2		
EF b	0	0	0	0	0	0	0+0	0
FE b	0	0	0	0	0	0		
FG b	0	$-1/2Fx$	0	0	0	0	0+0	0
GF b	0	$1/2Fb-1/2Fx$	0	0	0	0		
GC b	0	$-1/2Fb+Fx-1/2qx^2$	0	0	0	0	0+0	0
CG b	0	$1/2qx^2$	0	0	0	0		
HG b	0	0	0	0	0	0	0+0	0
GH b	0	0	0	0	0	0		
HB b	0	$-3/4Fb+3/4Fx$	0	0	0	0	0+0	0
BH b	0	$3/4Fx$	0	0	0	0		
HE b	0	$3/4Fb-3/4Fx$	0	0	0	0	0+0	0
EH b	0	$-3/4Fx$	0	0	0	0		
AB	molla asta $-W_{1AB}(W_{0AB}+XW_{1AB})/k_{AB}$							$1/4Xb/EJ$
	totali						$-5/24Fb^2/EJ$	$35/12Xb/EJ$
	iperstatica $X=W_{AB}$						$1/14Fb$	

Sviluppi di calcolo iperstatica

$$L_{AB}^{xx} = \int_0^b (1 - 2x/b + x^2/b^2) \cdot 1/EJ \, dx + 1 \cdot 1/4 \cdot b/EJ = \left[x - x^2/b + 1/3 x^3/b^2 \right]_0^b \cdot 1/EJ + 1 \cdot 1/4 \cdot b/EJ$$

$$= (b - b + 1/3 b) \cdot 1/EJ + 1 \cdot 1/4 \cdot b/EJ = 7/12 \cdot b/EJ$$

$$L_{BA}^{xx} = \int_0^b (x^2/b^2) \cdot 1/EJ \, dx + 1 \cdot 1/4 \cdot b/EJ = \left[1/3 x^3/b^2 \right]_0^b \cdot 1/EJ + 1 \cdot 1/4 \cdot b/EJ$$

$$= (1/3 b) \cdot 1/EJ + 1 \cdot 1/4 \cdot b/EJ = 7/12 \cdot b/EJ$$

$$L_{AD}^{xx} = \int_0^{2b} (1) \cdot 1/EJ \, dx = \left[x \right]_0^{2b} \cdot 1/EJ$$

$$= (2b) \cdot 1/EJ = 2 \cdot b/EJ$$

$$L_{DA}^{xx} = \int_0^{2b} (1) \cdot 1/EJ \, dx = \left[x \right]_0^{2b} \cdot 1/EJ$$

$$= (2b) \cdot 1/EJ = 2 \cdot b/EJ$$

$$L_{DE}^{xx} = \int_0^b (1 - 2x/b + x^2/b^2) \cdot 1/EJ \, dx = \left[x - x^2/b + 1/3 x^3/b^2 \right]_0^b \cdot 1/EJ$$

$$= (b - b + 1/3 b) \cdot 1/EJ = 1/3 \cdot b/EJ$$

$$L_{ED}^{xx} = \int_0^b (x^2/b^2) \cdot 1/EJ \, dx = \left[1/3 x^3/b^2 \right]_0^b \cdot 1/EJ$$

$$= (1/3 b) \cdot 1/EJ = 1/3 \cdot b/EJ$$

$$L_{AB}^{xo} = \int_0^b (3/2 x/b - x^2/b^2 - 1/2 x^3/b^3) \cdot Fb \cdot 1/EJ \, dx + 1 \cdot 0 \cdot 1/4 \cdot Fb^2/EJ$$

$$= \left[3/4 x^2/b - 1/3 x^3/b^2 - 1/8 x^4/b^3 \right]_0^b \cdot Fb \cdot 1/EJ + 1 \cdot 0 \cdot 1/4 \cdot Fb^2/EJ$$

$$= (3/4 b - 1/3 b - 1/8 b) \cdot Fb \cdot 1/EJ + 1 \cdot 0 \cdot 1/4 \cdot Fb^2/EJ = 7/24 \cdot Fb^2/EJ$$

$$L_{BA}^{xo} = \int_0^b (2x/b - 5/2 x^2/b^2 + 1/2 x^3/b^3) \cdot Fb \cdot 1/EJ \, dx + 1 \cdot 0 \cdot 1/4 \cdot Fb^2/EJ$$

$$= \left[x^2/b - 5/6 x^3/b^2 + 1/8 x^4/b^3 \right]_0^b \cdot Fb \cdot 1/EJ + 1 \cdot 0 \cdot 1/4 \cdot Fb^2/EJ$$

$$= (b - 5/6 b + 1/8 b) \cdot Fb \cdot 1/EJ + 1 \cdot 0 \cdot 1/4 \cdot Fb^2/EJ = 7/24 \cdot Fb^2/EJ$$

$$L_{AD}^{xo} = \int_0^{2b} (-3/4 x/b + 1/2 x^2/b^2) \cdot Fb \cdot 1/EJ \, dx = \left[-3/8 x^2/b + 1/6 x^3/b^2 \right]_0^{2b} \cdot Fb \cdot 1/EJ$$

$$= (-3/2 b + 4/3 b) \cdot Fb \cdot 1/EJ = -1/6 \cdot Fb^2/EJ$$

$$L_{DA}^{xo} = \int_0^{2b} (1/2 - 5/4 x/b + 1/2 x^2/b^2) \cdot Fb \cdot 1/EJ \, dx = \left[1/2 x - 5/8 x^2/b + 1/6 x^3/b^2 \right]_0^{2b} \cdot Fb \cdot 1/EJ$$

$$= (b - 5/2 b + 4/3 b) \cdot Fb \cdot 1/EJ = -1/6 \cdot Fb^2/EJ$$

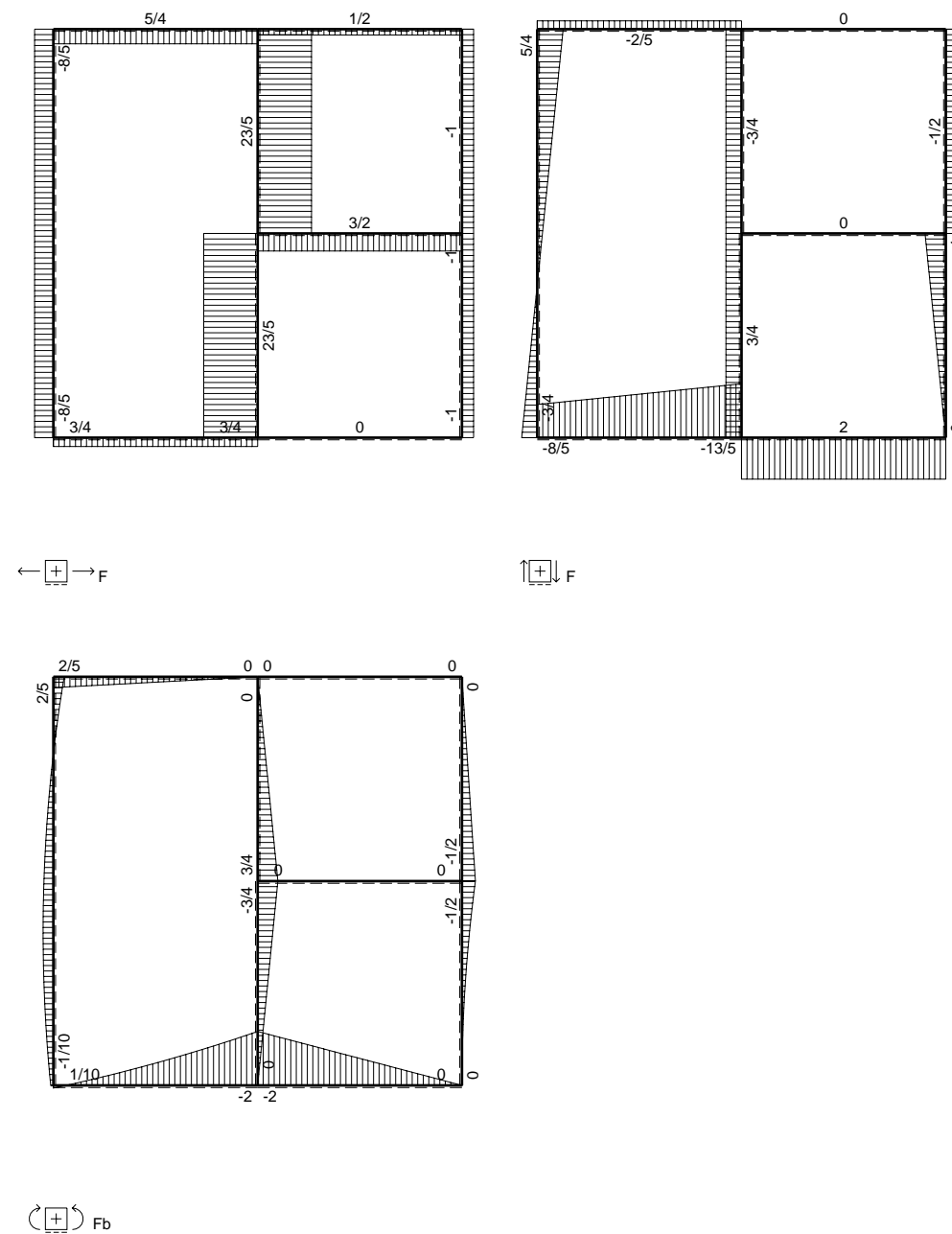
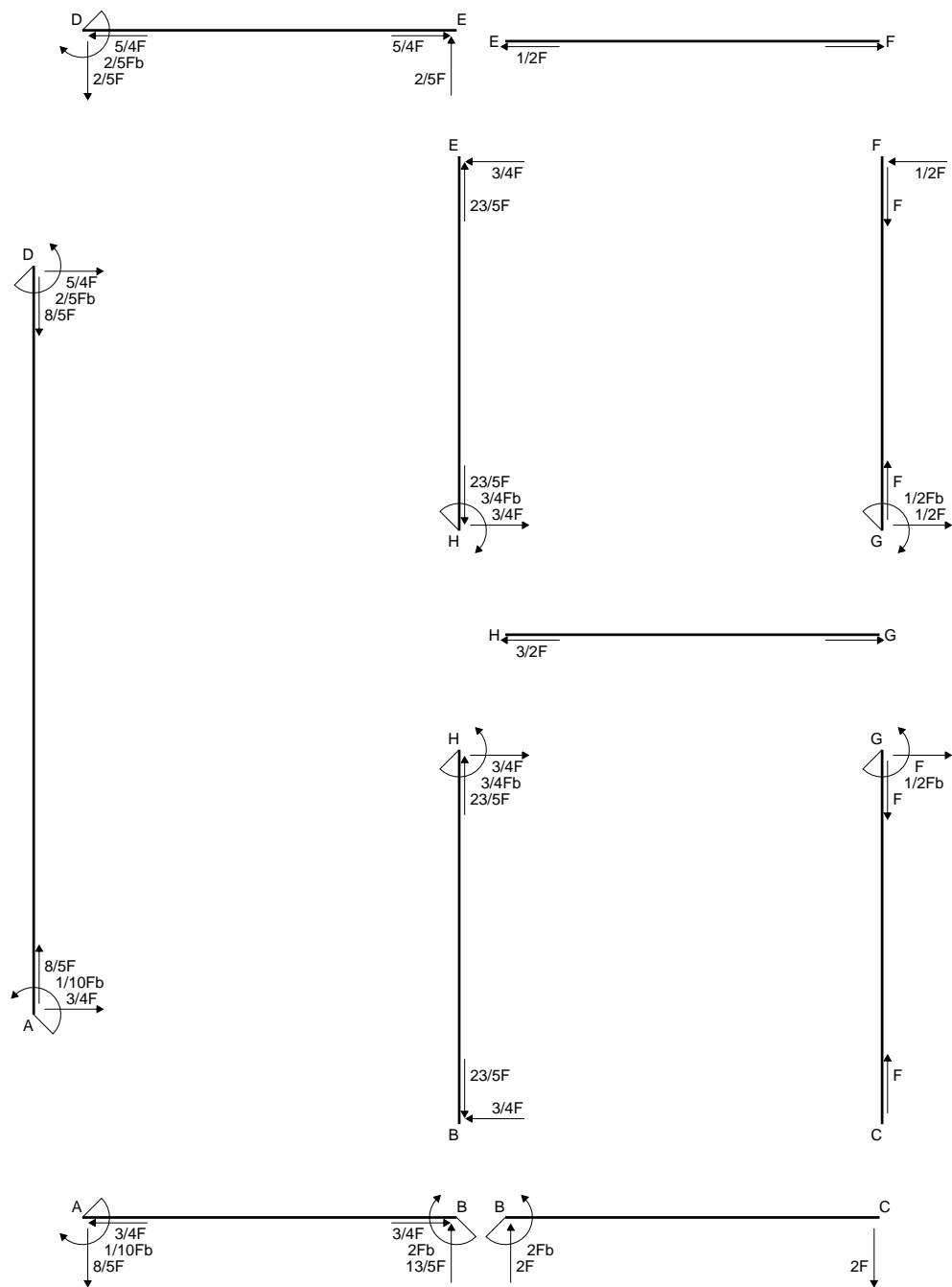
$$L_{DE}^{xo} = \int_0^b (1/2 - x/b + 1/2 x^2/b^2) \cdot Fb \cdot 1/EJ \, dx + \int_0^b (-1 + x/b) \cdot \theta \, dx$$

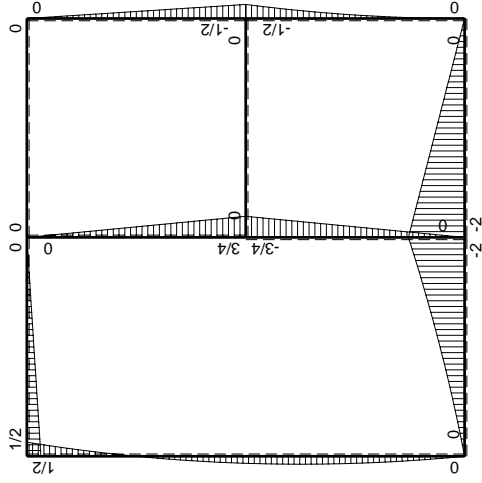
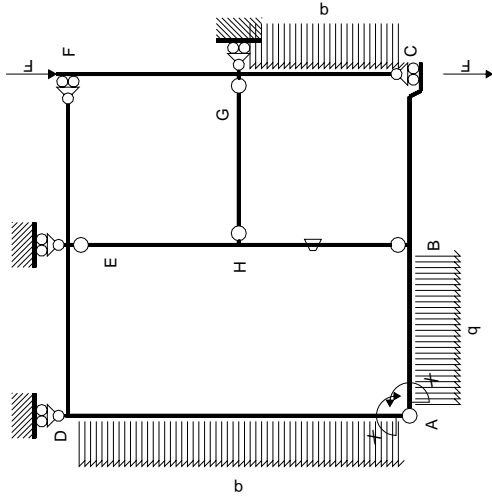
$$= \left[1/2 x - 1/2 x^2/b + 1/6 x^3/b^2 \right]_0^b \cdot Fb \cdot 1/EJ + \left[-x + 1/2 x^2/b \right]_0^b \cdot \theta$$

$$= (1/2 b - 1/2 b + 1/6 b) \cdot Fb \cdot 1/EJ + (-b + 1/2 b) \cdot \theta = -1/3 \cdot Fb^2/EJ$$

$$L_{ED}^{xo} = \int_0^b (1/2 x^2/b^2) \cdot Fb \cdot 1/EJ \, dx + \int_0^b (x/b) \cdot \theta \, dx = \left[1/6 x^3/b^2 \right]_0^b \cdot Fb \cdot 1/EJ + \left[1/2 x^2/b \right]_0^b \cdot \theta$$

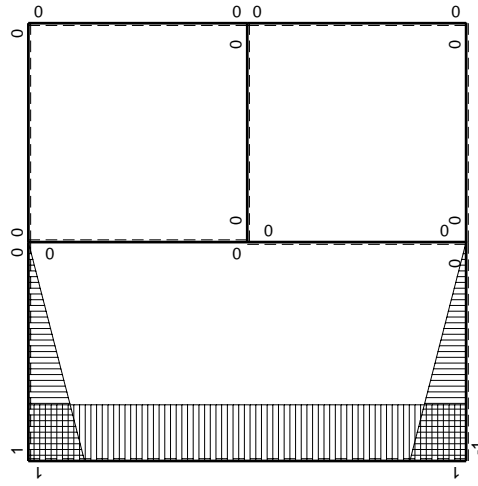
$$= (1/6 b) \cdot Fb \cdot 1/EJ + (1/2 b) \cdot \theta = -1/3 \cdot Fb^2/EJ$$





Schema di calcolo iperstatico

M_0 flessione da carichi assegnati



M_x flessione da iperstatica $X=1$

Quadro contributi PLV per iperstatica $X=W_{AB}$

→	$M_x(x)$	$M_o(x)$	θ	$M_x M_o$	$M_x \theta$	$M_x M_x$	$\int M_x(M_o/EJ+\theta)dx$	$\int X M_x M_x/EJ dx$
AB b	$-1+x/b$	$-3/2Fx-1/2qx^2$	0	$3/2Fx-Fx^2/b-1/2qx^3/b$	0	$1-2x/b+x^2/b^2$	$(7/24+0)Fb^2/EJ$	$1/3Xb/EJ$
BA b	x/b	$2Fb-5/2Fx+1/2qx^2$	0	$2Fx-5/2Fx^2/b+1/2qx^3/b$	0	x^2/b^2		
BC b	0	$-2Fb+2Fx$	0	0	0	0	0+0	0
CB b	0	$2Fx$	0	0	0	0		
AD 2b	1	$-3/4Fx+1/2qx^2$	0	$-3/4Fx+1/2Fx^2/b$	0	1	$(-1/6+0)Fb^2/EJ$	$2Xb/EJ$
DA 2b	-1	$-1/2Fb+5/4Fx-1/2qx^2$	0	$1/2Fb-5/4Fx+1/2Fx^2/b$	0	1		
DE b	$1-x/b$	$1/2Fb-1/2Fx$	0	$1/2Fb-Fx+1/2Fx^2/b$	0	$1-2x/b+x^2/b^2$	$(1/6+0)Fb^2/EJ$	$1/3Xb/EJ$
ED b	$-x/b$	$-1/2Fx$	0	$1/2Fx^2/b$	0	x^2/b^2		
EF b	0	0	0	0	0	0	0+0	0
FE b	0	0	0	0	0	0		
FG b	0	$-1/2Fx$	0	0	0	0	0+0	0
GF b	0	$1/2Fb-1/2Fx$	0	0	0	0		
GC b	0	$-1/2Fb+Fx-1/2qx^2$	0	0	0	0	0+0	0
CG b	0	$1/2qx^2$	0	0	0	0		
HG b	0	0	0	0	0	0	0+0	0
GH b	0	0	0	0	0	0		
HB b	0	$-3/4Fb+3/4Fx$	$-Fb/EJ$	0	0	0	0+0	0
BH b	0	$3/4Fx$	Fb/EJ	0	0	0		
HE b	0	$3/4Fb-3/4Fx$	0	0	0	0	0+0	0
EH b	0	$-3/4Fx$	0	0	0	0		
AB	molla asta $-W_{1AB}(W_{0AB}+XW_{1AB})/k_{AB}$							$1/4Xb/EJ$
	totali						$7/24Fb^2/EJ$	$35/12Xb/EJ$
	iperstatica $X=W_{AB}$						$-1/10Fb$	

Sviluppi di calcolo iperstatica

$$L_{AB}^{xx} = \int_0^b (1 - 2x/b + x^2/b^2) \frac{1}{EJ} dx + 1 \cdot \frac{1}{4} \frac{b}{EJ} = \left[x - x^2/b + 1/3 x^3/b^2 \right]_0^b \frac{1}{EJ} + 1 \cdot \frac{1}{4} \frac{b}{EJ}$$

$$= (b - b + 1/3 b) \frac{1}{EJ} + 1 \cdot \frac{1}{4} \frac{b}{EJ} = 7/12 \frac{b}{EJ}$$

$$L_{BA}^{xx} = \int_0^b (x^2/b^2) \frac{1}{EJ} dx + 1 \cdot \frac{1}{4} \frac{b}{EJ} = \left[1/3 x^3/b^2 \right]_0^b \frac{1}{EJ} + 1 \cdot \frac{1}{4} \frac{b}{EJ}$$

$$= (1/3 b) \frac{1}{EJ} + 1 \cdot \frac{1}{4} \frac{b}{EJ} = 7/12 \frac{b}{EJ}$$

$$L_{AD}^{xx} = \int_0^{2b} (1) \frac{1}{EJ} dx = \left[x \right]_0^{2b} \frac{1}{EJ}$$

$$= (2b) \frac{1}{EJ} = 2 \frac{b}{EJ}$$

$$L_{DA}^{xx} = \int_0^{2b} (1) \frac{1}{EJ} dx = \left[x \right]_0^{2b} \frac{1}{EJ}$$

$$= (2b) \frac{1}{EJ} = 2 \frac{b}{EJ}$$

$$L_{DE}^{xx} = \int_0^b (1 - 2x/b + x^2/b^2) \frac{1}{EJ} dx = \left[x - x^2/b + 1/3 x^3/b^2 \right]_0^b \frac{1}{EJ}$$

$$= (b - b + 1/3 b) \frac{1}{EJ} = 1/3 \frac{b}{EJ}$$

$$L_{ED}^{xx} = \int_0^b (x^2/b^2) \frac{1}{EJ} dx = \left[1/3 x^3/b^2 \right]_0^b \frac{1}{EJ}$$

$$= (1/3 b) \frac{1}{EJ} = 1/3 \frac{b}{EJ}$$

$$L_{AB}^{xo} = \int_0^b (3/2 x/b - x^2/b^2 - 1/2 x^3/b^3) Fb \frac{1}{EJ} dx + 1 \cdot 0 \cdot \frac{1}{4} \frac{Fb^2}{EJ}$$

$$= \left[3/4 x^2/b - 1/3 x^3/b^2 - 1/8 x^4/b^3 \right]_0^b Fb \frac{1}{EJ} + 1 \cdot 0 \cdot \frac{1}{4} \frac{Fb^2}{EJ}$$

$$= (3/4 b - 1/3 b - 1/8 b) Fb \frac{1}{EJ} + 1 \cdot 0 \cdot \frac{1}{4} \frac{Fb^2}{EJ} = 7/24 \frac{Fb^2}{EJ}$$

$$L_{BA}^{xo} = \int_0^b (2x/b - 5/2 x^2/b^2 + 1/2 x^3/b^3) Fb \frac{1}{EJ} dx + 1 \cdot 0 \cdot \frac{1}{4} \frac{Fb^2}{EJ}$$

$$= \left[x^2/b - 5/6 x^3/b^2 + 1/8 x^4/b^3 \right]_0^b Fb \frac{1}{EJ} + 1 \cdot 0 \cdot \frac{1}{4} \frac{Fb^2}{EJ}$$

$$= (b - 5/6 b + 1/8 b) Fb \frac{1}{EJ} + 1 \cdot 0 \cdot \frac{1}{4} \frac{Fb^2}{EJ} = 7/24 \frac{Fb^2}{EJ}$$

$$L_{AD}^{xo} = \int_0^{2b} (-3/4 x/b + 1/2 x^2/b^2) Fb \frac{1}{EJ} dx = \left[-3/8 x^2/b + 1/6 x^3/b^2 \right]_0^{2b} Fb \frac{1}{EJ}$$

$$= (-3/2 b + 4/3 b) Fb \frac{1}{EJ} = -1/6 \frac{Fb^2}{EJ}$$

$$L_{DA}^{xo} = \int_0^{2b} (1/2 - 5/4 x/b + 1/2 x^2/b^2) Fb \frac{1}{EJ} dx = \left[1/2 x - 5/8 x^2/b + 1/6 x^3/b^2 \right]_0^{2b} Fb \frac{1}{EJ}$$

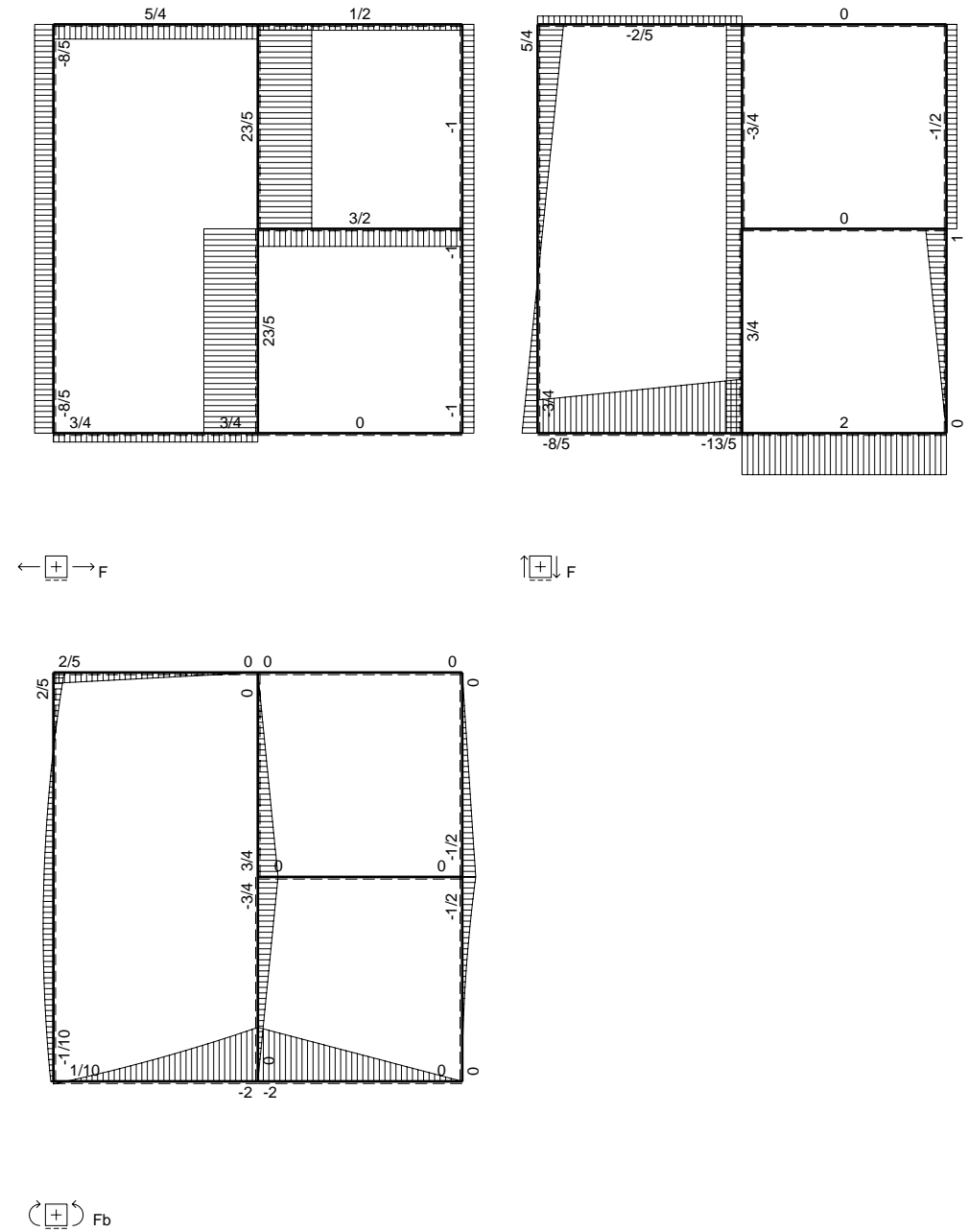
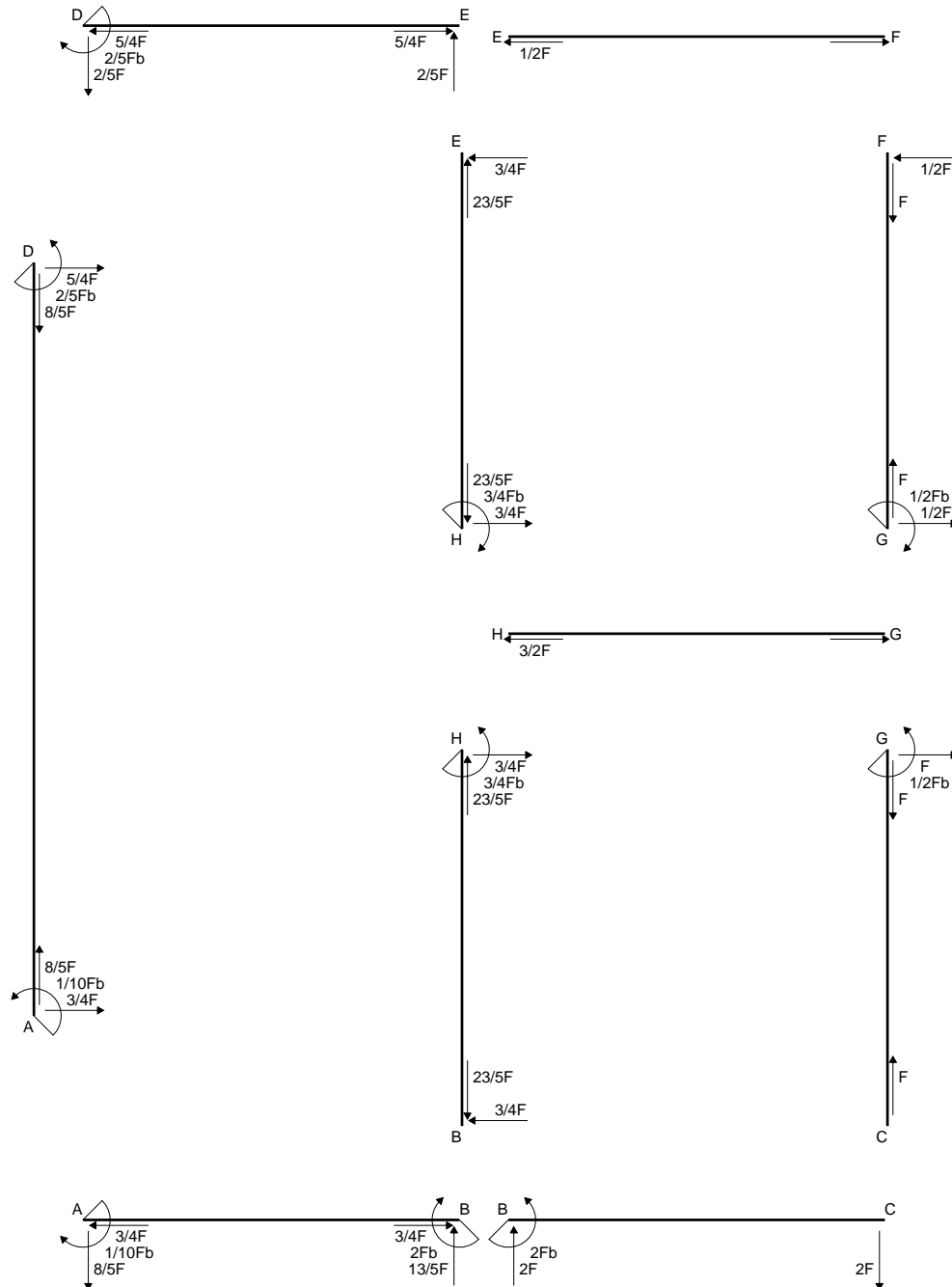
$$= (b - 5/2 b + 4/3 b) Fb \frac{1}{EJ} = -1/6 \frac{Fb^2}{EJ}$$

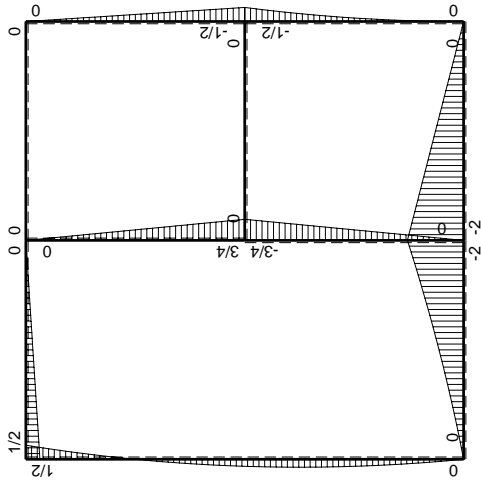
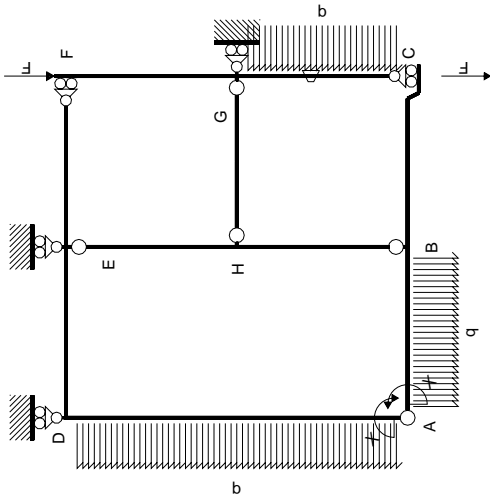
$$L_{DE}^{xo} = \int_0^b (1/2 - x/b + 1/2 x^2/b^2) Fb \frac{1}{EJ} dx = \left[1/2 x - 1/2 x^2/b + 1/6 x^3/b^2 \right]_0^b Fb \frac{1}{EJ}$$

$$= (1/2 b - 1/2 b + 1/6 b) Fb \frac{1}{EJ} = 1/6 \frac{Fb^2}{EJ}$$

$$L_{ED}^{xo} = \int_0^b (1/2 x^2/b^2) Fb \frac{1}{EJ} dx = \left[1/6 x^3/b^2 \right]_0^b Fb \frac{1}{EJ}$$

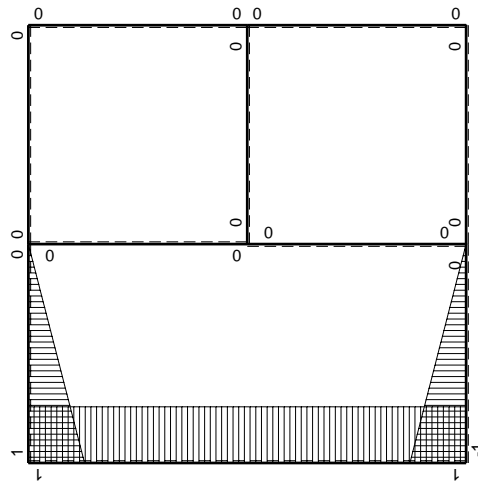
$$= (1/6 b) Fb \frac{1}{EJ} = 1/6 \frac{Fb^2}{EJ}$$





Schema di calcolo iperstatico

M_0 flessione da carichi assegnati



M_x flessione da iperstatica $X=1$

Quadro contributi PLV per iperstatica $X=W_{AB}$

→	$M_x(x)$	$M_o(x)$	θ	$M_x M_o$	$M_x \theta$	$M_x M_x$	$\int M_x(M_o/EJ+\theta)dx$	$\int X M_x M_x/EJ dx$	
AB b	$-1+x/b$	$-3/2Fx-1/2qx^2$	0	$3/2Fx-Fx^2/b-1/2qx^3/b$	0	$1-2x/b+x^2/b^2$	$(7/24+0)Fb^2/EJ$	$1/3Xb/EJ$	
BA b	x/b	$2Fb-5/2Fx+1/2qx^2$	0	$2Fx-5/2Fx^2/b+1/2qx^3/b$	0	x^2/b^2			
BC b	0	$-2Fb+2Fx$	0	0	0	0	0+0	0	
CB b	0	$2Fx$	0	0	0	0			
AD 2b	1	$-3/4Fx+1/2qx^2$	0	$-3/4Fx+1/2Fx^2/b$	0	1	$(-1/6+0)Fb^2/EJ$	$2Xb/EJ$	
DA 2b	-1	$-1/2Fb+5/4Fx-1/2qx^2$	0	$1/2Fb-5/4Fx+1/2Fx^2/b$	0	1			
DE b	$1-x/b$	$1/2Fb-1/2Fx$	0	$1/2Fb-Fx+1/2Fx^2/b$	0	$1-2x/b+x^2/b^2$	$(1/6+0)Fb^2/EJ$	$1/3Xb/EJ$	
ED b	$-x/b$	$-1/2Fx$	0	$1/2Fx^2/b$	0	x^2/b^2			
EF b	0	0	0	0	0	0	0+0	0	
FE b	0	0	0	0	0	0			
FG b	0	$-1/2Fx$	0	0	0	0	0+0	0	
GF b	0	$1/2Fb-1/2Fx$	0	0	0	0			
GC b	0	$-1/2Fb+Fx-1/2qx^2$	$-Fb/EJ$	0	0	0	0+0	0	
CG b	0	$1/2qx^2$	Fb/EJ	0	0	0			
HG b	0	0	0	0	0	0	0+0	0	
GH b	0	0	0	0	0	0			
HB b	0	$-3/4Fb+3/4Fx$	0	0	0	0	0+0	0	
BH b	0	$3/4Fx$	0	0	0	0			
HE b	0	$3/4Fb-3/4Fx$	0	0	0	0	0+0	0	
EH b	0	$-3/4Fx$	0	0	0	0			
AB	molla asta $-W_{1AB}(W_{0AB}+XW_{1AB})/k_{AB}$								$1/4Xb/EJ$
	totali							$7/24Fb^2/EJ$	$35/12Xb/EJ$
	iperstatica $X=W_{AB}$							$-1/10Fb$	

Sviluppi di calcolo iperstatica

$$L_{AB}^{xx} = \int_0^b (1 - 2x/b + x^2/b^2) \cdot 1/EJ \, dx + 1 \cdot 1/4 \cdot b/EJ = \left[x - x^2/b + 1/3 x^3/b^2 \right]_0^b \cdot 1/EJ + 1 \cdot 1/4 \cdot b/EJ$$

$$= (b - b + 1/3 b) \cdot 1/EJ + 1 \cdot 1/4 \cdot b/EJ = 7/12 \cdot b/EJ$$

$$L_{BA}^{xx} = \int_0^b (x^2/b^2) \cdot 1/EJ \, dx + 1 \cdot 1/4 \cdot b/EJ = \left[1/3 x^3/b^2 \right]_0^b \cdot 1/EJ + 1 \cdot 1/4 \cdot b/EJ$$

$$= (1/3 b) \cdot 1/EJ + 1 \cdot 1/4 \cdot b/EJ = 7/12 \cdot b/EJ$$

$$L_{AD}^{xx} = \int_0^{2b} (1) \cdot 1/EJ \, dx = \left[x \right]_0^{2b} \cdot 1/EJ$$

$$= (2b) \cdot 1/EJ = 2 \cdot b/EJ$$

$$L_{DA}^{xx} = \int_0^{2b} (1) \cdot 1/EJ \, dx = \left[x \right]_0^{2b} \cdot 1/EJ$$

$$= (2b) \cdot 1/EJ = 2 \cdot b/EJ$$

$$L_{DE}^{xx} = \int_0^b (1 - 2x/b + x^2/b^2) \cdot 1/EJ \, dx = \left[x - x^2/b + 1/3 x^3/b^2 \right]_0^b \cdot 1/EJ$$

$$= (b - b + 1/3 b) \cdot 1/EJ = 1/3 \cdot b/EJ$$

$$L_{ED}^{xx} = \int_0^b (x^2/b^2) \cdot 1/EJ \, dx = \left[1/3 x^3/b^2 \right]_0^b \cdot 1/EJ$$

$$= (1/3 b) \cdot 1/EJ = 1/3 \cdot b/EJ$$

$$L_{AB}^{xo} = \int_0^b (3/2 x/b - x^2/b^2 - 1/2 x^3/b^3) \cdot Fb \cdot 1/EJ \, dx + 1 \cdot 0 \cdot 1/4 \cdot Fb^2/EJ$$

$$= \left[3/4 x^2/b - 1/3 x^3/b^2 - 1/8 x^4/b^3 \right]_0^b \cdot Fb \cdot 1/EJ + 1 \cdot 0 \cdot 1/4 \cdot Fb^2/EJ$$

$$= (3/4 b - 1/3 b - 1/8 b) \cdot Fb \cdot 1/EJ + 1 \cdot 0 \cdot 1/4 \cdot Fb^2/EJ = 7/24 \cdot Fb^2/EJ$$

$$L_{BA}^{xo} = \int_0^b (2x/b - 5/2 x^2/b^2 + 1/2 x^3/b^3) \cdot Fb \cdot 1/EJ \, dx + 1 \cdot 0 \cdot 1/4 \cdot Fb^2/EJ$$

$$= \left[x^2/b - 5/6 x^3/b^2 + 1/8 x^4/b^3 \right]_0^b \cdot Fb \cdot 1/EJ + 1 \cdot 0 \cdot 1/4 \cdot Fb^2/EJ$$

$$= (b - 5/6 b + 1/8 b) \cdot Fb \cdot 1/EJ + 1 \cdot 0 \cdot 1/4 \cdot Fb^2/EJ = 7/24 \cdot Fb^2/EJ$$

$$L_{AD}^{xo} = \int_0^{2b} (-3/4 x/b + 1/2 x^2/b^2) \cdot Fb \cdot 1/EJ \, dx = \left[-3/8 x^2/b + 1/6 x^3/b^2 \right]_0^{2b} \cdot Fb \cdot 1/EJ$$

$$= (-3/2 b + 4/3 b) \cdot Fb \cdot 1/EJ = -1/6 \cdot Fb^2/EJ$$

$$L_{DA}^{xo} = \int_0^{2b} (1/2 - 5/4 x/b + 1/2 x^2/b^2) \cdot Fb \cdot 1/EJ \, dx = \left[1/2 x - 5/8 x^2/b + 1/6 x^3/b^2 \right]_0^{2b} \cdot Fb \cdot 1/EJ$$

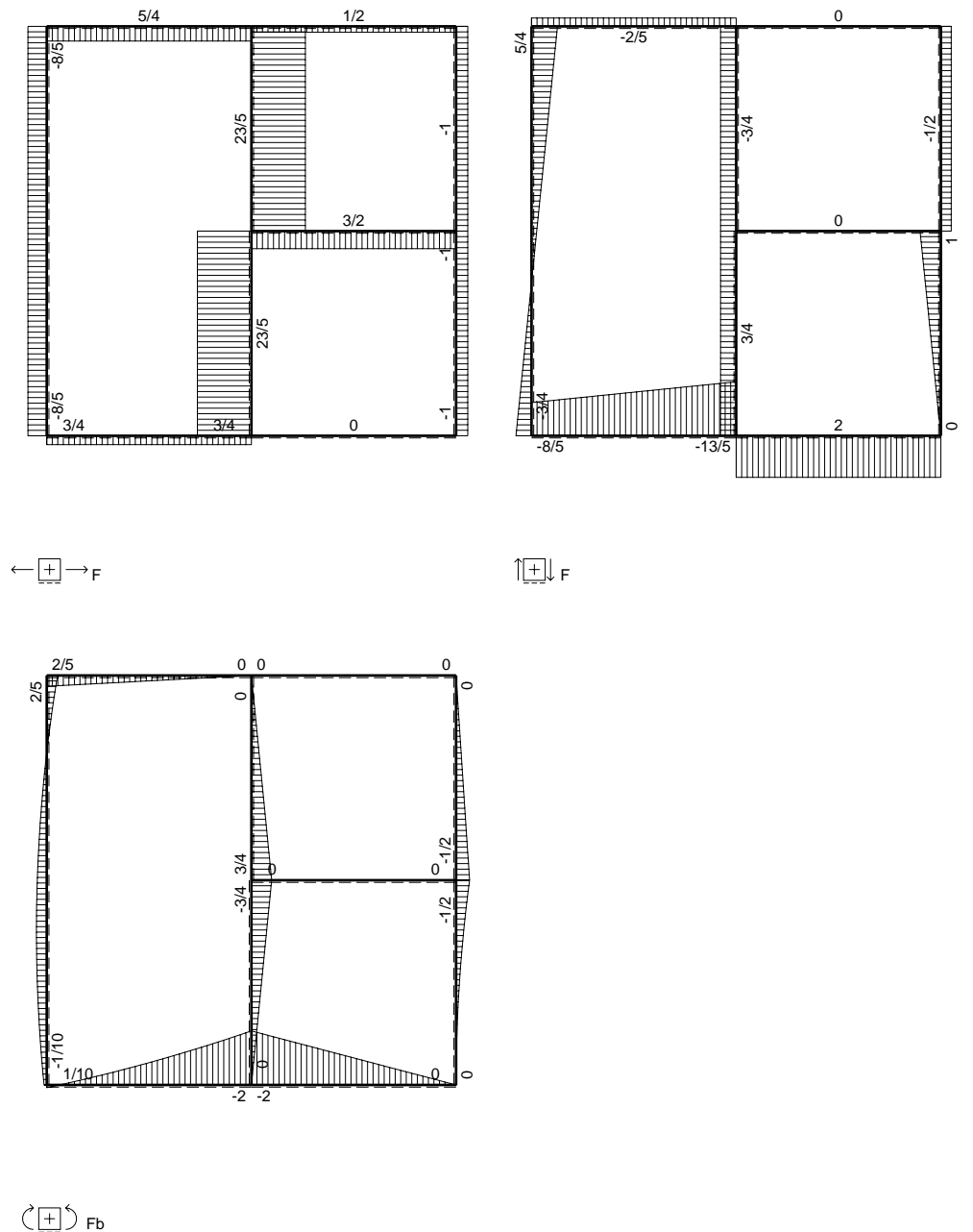
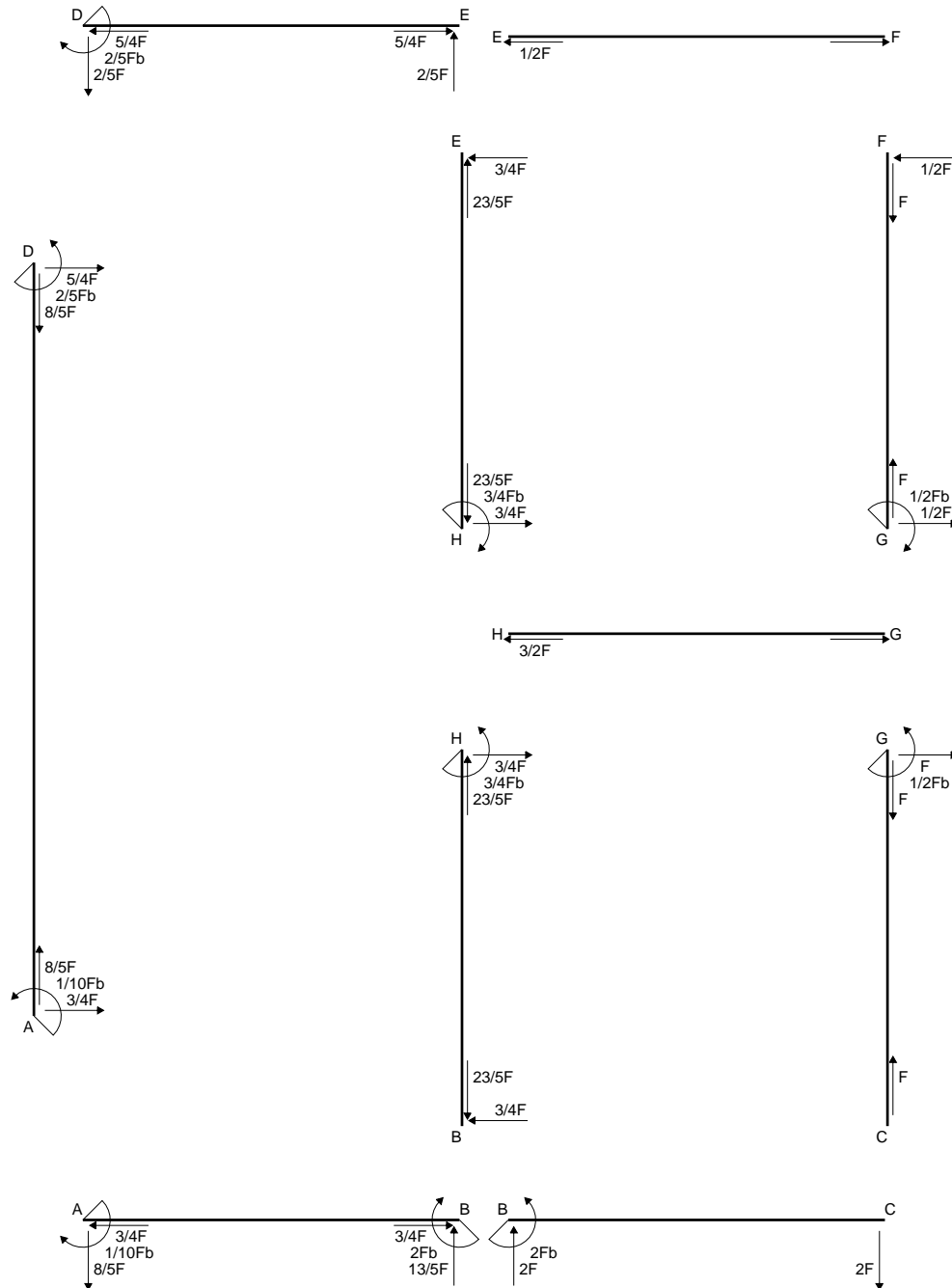
$$= (b - 5/2 b + 4/3 b) \cdot Fb \cdot 1/EJ = -1/6 \cdot Fb^2/EJ$$

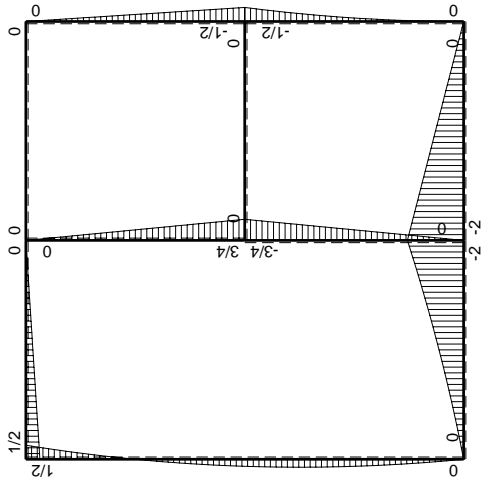
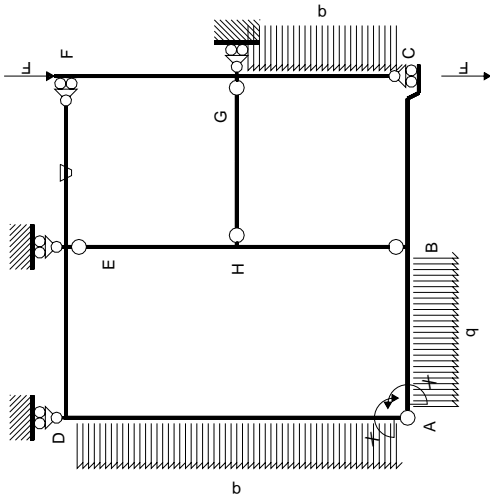
$$L_{DE}^{xo} = \int_0^b (1/2 - x/b + 1/2 x^2/b^2) \cdot Fb \cdot 1/EJ \, dx = \left[1/2 x - 1/2 x^2/b + 1/6 x^3/b^2 \right]_0^b \cdot Fb \cdot 1/EJ$$

$$= (1/2 b - 1/2 b + 1/6 b) \cdot Fb \cdot 1/EJ = 1/6 \cdot Fb^2/EJ$$

$$L_{ED}^{xo} = \int_0^b (1/2 x^2/b^2) \cdot Fb \cdot 1/EJ \, dx = \left[1/6 x^3/b^2 \right]_0^b \cdot Fb \cdot 1/EJ$$

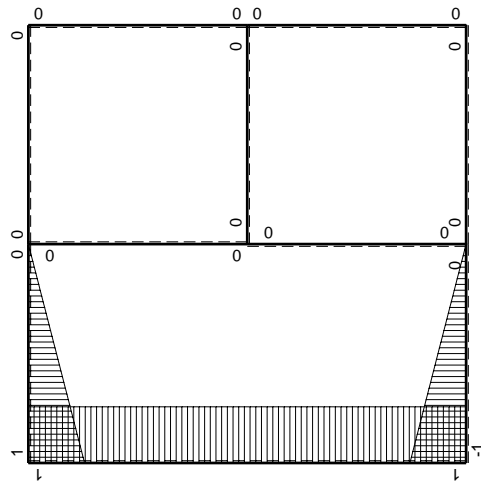
$$= (1/6 b) \cdot Fb \cdot 1/EJ = 1/6 \cdot Fb^2/EJ$$





Schema di calcolo iperstatico

M_0 flessione da carichi assegnati



M_x flessione da iperstatica $X=1$

Quadro contributi PLV per iperstatica $X=W_{AB}$

→	$M_x(x)$	$M_o(x)$	θ	$M_x M_o$	$M_x \theta$	$M_x M_x$	$\int M_x(M_o/EJ+\theta)dx$	$\int X M_x M_x/EJ dx$
AB b	$-1+x/b$	$-3/2Fx-1/2qx^2$	0	$3/2Fx-Fx^2/b-1/2qx^3/b$	0	$1-2x/b+x^2/b^2$	$(7/24+0)Fb^2/EJ$	$1/3Xb/EJ$
BA b	x/b	$2Fb-5/2Fx+1/2qx^2$	0	$2Fx-5/2Fx^2/b+1/2qx^3/b$	0	x^2/b^2		
BC b	0	$-2Fb+2Fx$	0	0	0	0	0+0	0
CB b	0	$2Fx$	0	0	0	0		
AD 2b	1	$-3/4Fx+1/2qx^2$	0	$-3/4Fx+1/2Fx^2/b$	0	1	$(-1/6+0)Fb^2/EJ$	$2Xb/EJ$
DA 2b	-1	$-1/2Fb+5/4Fx-1/2qx^2$	0	$1/2Fb-5/4Fx+1/2Fx^2/b$	0	1		
DE b	$1-x/b$	$1/2Fb-1/2Fx$	0	$1/2Fb-Fx+1/2Fx^2/b$	0	$1-2x/b+x^2/b^2$	$(1/6+0)Fb^2/EJ$	$1/3Xb/EJ$
ED b	$-x/b$	$-1/2Fx$	0	$1/2Fx^2/b$	0	x^2/b^2		
EF b	0	0	$-Fb/EJ$	0	0	0	0+0	0
FE b	0	0	Fb/EJ	0	0	0		
FG b	0	$-1/2Fx$	0	0	0	0	0+0	0
GF b	0	$1/2Fb-1/2Fx$	0	0	0	0		
GC b	0	$-1/2Fb+Fx-1/2qx^2$	0	0	0	0	0+0	0
CG b	0	$1/2qx^2$	0	0	0	0		
HG b	0	0	0	0	0	0	0+0	0
GH b	0	0	0	0	0	0		
HB b	0	$-3/4Fb+3/4Fx$	0	0	0	0	0+0	0
BH b	0	$3/4Fx$	0	0	0	0		
HE b	0	$3/4Fb-3/4Fx$	0	0	0	0	0+0	0
EH b	0	$-3/4Fx$	0	0	0	0		
AB	molla asta $-W_{1AB}(W_{0AB}+XW_{1AB})/k_{AB}$							$1/4Xb/EJ$
	totali						$7/24Fb^2/EJ$	$35/12Xb/EJ$
	iperstatica $X=W_{AB}$						$-1/10Fb$	

Sviluppi di calcolo iperstatica

$$L_{AB}^{xx} = \int_0^b (1 - 2x/b + x^2/b^2) \cdot 1/EJ \, dx + 1 \cdot 1/4 \cdot b/EJ = \left[x - x^2/b + 1/3 x^3/b^2 \right]_0^b \cdot 1/EJ + 1 \cdot 1/4 \cdot b/EJ$$

$$= (b - b + 1/3 b) \cdot 1/EJ + 1 \cdot 1/4 \cdot b/EJ = 7/12 \cdot b/EJ$$

$$L_{BA}^{xx} = \int_0^b (x^2/b^2) \cdot 1/EJ \, dx + 1 \cdot 1/4 \cdot b/EJ = \left[1/3 x^3/b^2 \right]_0^b \cdot 1/EJ + 1 \cdot 1/4 \cdot b/EJ$$

$$= (1/3 b) \cdot 1/EJ + 1 \cdot 1/4 \cdot b/EJ = 7/12 \cdot b/EJ$$

$$L_{AD}^{xx} = \int_0^{2b} (1) \cdot 1/EJ \, dx = \left[x \right]_0^{2b} \cdot 1/EJ$$

$$= (2b) \cdot 1/EJ = 2 \cdot b/EJ$$

$$L_{DA}^{xx} = \int_0^{2b} (1) \cdot 1/EJ \, dx = \left[x \right]_0^{2b} \cdot 1/EJ$$

$$= (2b) \cdot 1/EJ = 2 \cdot b/EJ$$

$$L_{DE}^{xx} = \int_0^b (1 - 2x/b + x^2/b^2) \cdot 1/EJ \, dx = \left[x - x^2/b + 1/3 x^3/b^2 \right]_0^b \cdot 1/EJ$$

$$= (b - b + 1/3 b) \cdot 1/EJ = 1/3 \cdot b/EJ$$

$$L_{ED}^{xx} = \int_0^b (x^2/b^2) \cdot 1/EJ \, dx = \left[1/3 x^3/b^2 \right]_0^b \cdot 1/EJ$$

$$= (1/3 b) \cdot 1/EJ = 1/3 \cdot b/EJ$$

$$L_{AB}^{xo} = \int_0^b (3/2 x/b - x^2/b^2 - 1/2 x^3/b^3) \cdot Fb \cdot 1/EJ \, dx + 1 \cdot 0 \cdot 1/4 \cdot Fb^2/EJ$$

$$= \left[3/4 x^2/b - 1/3 x^3/b^2 - 1/8 x^4/b^3 \right]_0^b \cdot Fb \cdot 1/EJ + 1 \cdot 0 \cdot 1/4 \cdot Fb^2/EJ$$

$$= (3/4 b - 1/3 b - 1/8 b) \cdot Fb \cdot 1/EJ + 1 \cdot 0 \cdot 1/4 \cdot Fb^2/EJ = 7/24 \cdot Fb^2/EJ$$

$$L_{BA}^{xo} = \int_0^b (2x/b - 5/2 x^2/b^2 + 1/2 x^3/b^3) \cdot Fb \cdot 1/EJ \, dx + 1 \cdot 0 \cdot 1/4 \cdot Fb^2/EJ$$

$$= \left[x^2/b - 5/6 x^3/b^2 + 1/8 x^4/b^3 \right]_0^b \cdot Fb \cdot 1/EJ + 1 \cdot 0 \cdot 1/4 \cdot Fb^2/EJ$$

$$= (b - 5/6 b + 1/8 b) \cdot Fb \cdot 1/EJ + 1 \cdot 0 \cdot 1/4 \cdot Fb^2/EJ = 7/24 \cdot Fb^2/EJ$$

$$L_{AD}^{xo} = \int_0^{2b} (-3/4 x/b + 1/2 x^2/b^2) \cdot Fb \cdot 1/EJ \, dx = \left[-3/8 x^2/b + 1/6 x^3/b^2 \right]_0^{2b} \cdot Fb \cdot 1/EJ$$

$$= (-3/2 b + 4/3 b) \cdot Fb \cdot 1/EJ = -1/6 \cdot Fb^2/EJ$$

$$L_{DA}^{xo} = \int_0^{2b} (1/2 - 5/4 x/b + 1/2 x^2/b^2) \cdot Fb \cdot 1/EJ \, dx = \left[1/2 x - 5/8 x^2/b + 1/6 x^3/b^2 \right]_0^{2b} \cdot Fb \cdot 1/EJ$$

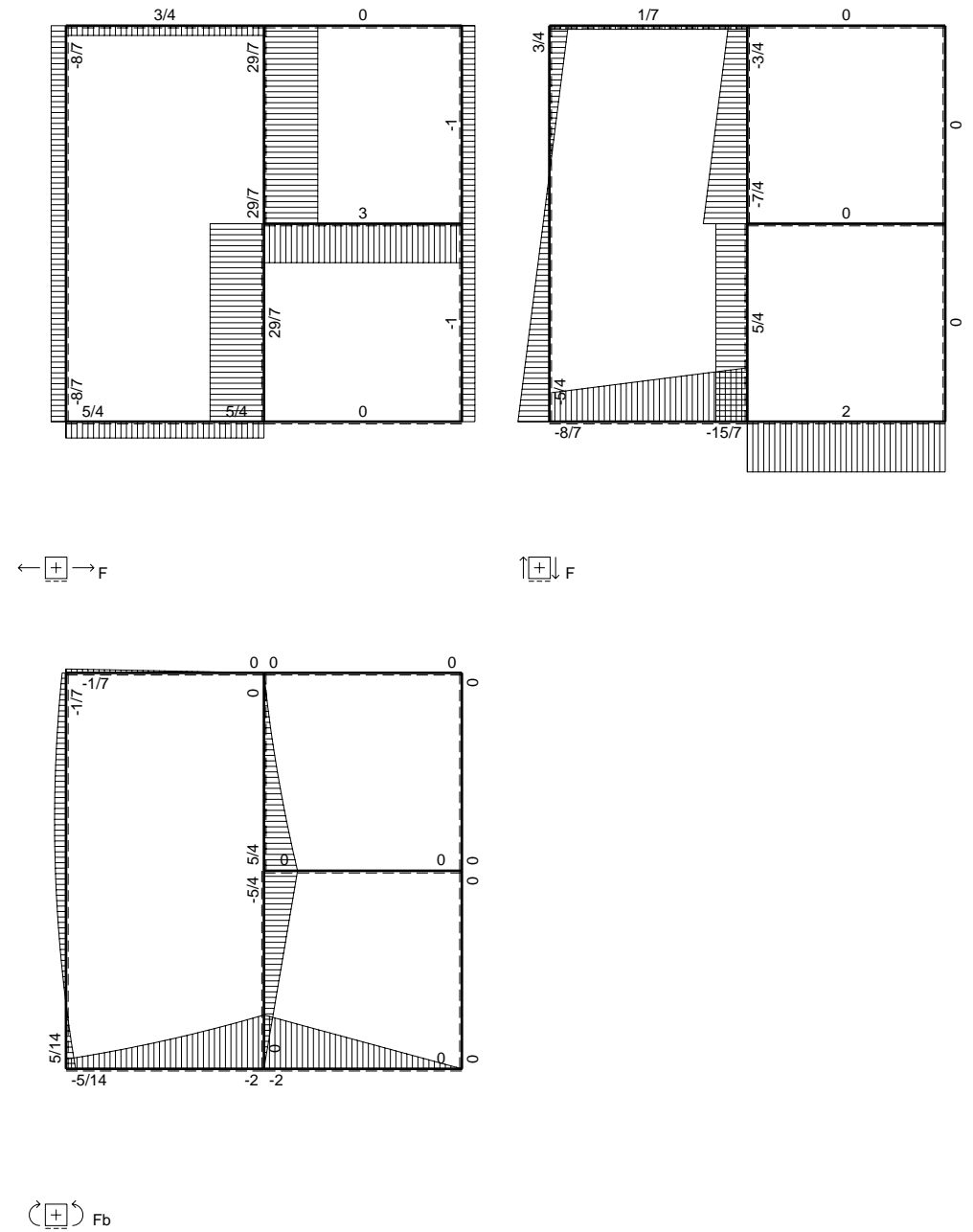
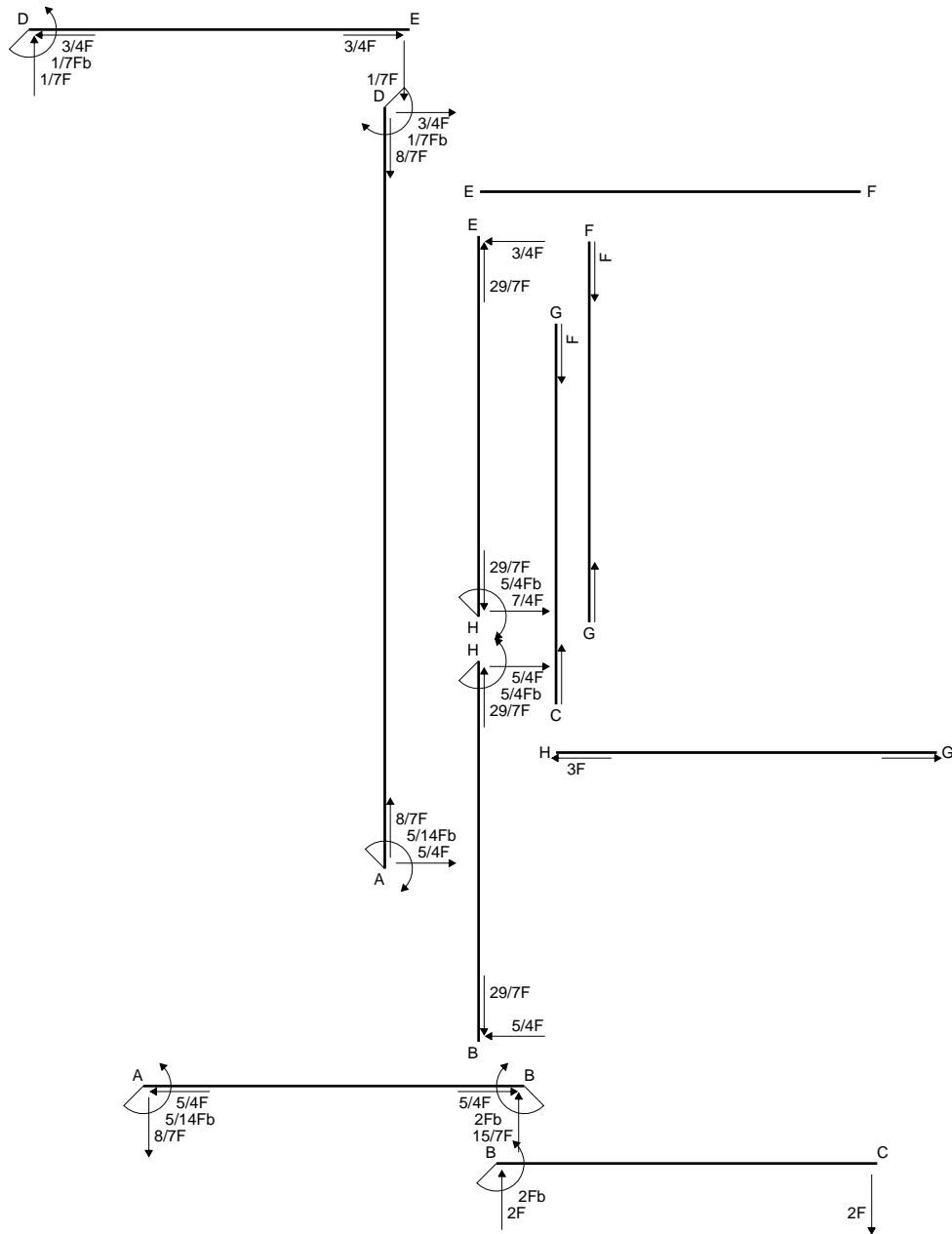
$$= (b - 5/2 b + 4/3 b) \cdot Fb \cdot 1/EJ = -1/6 \cdot Fb^2/EJ$$

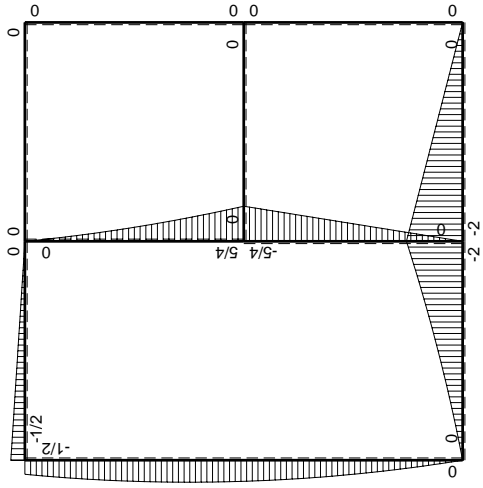
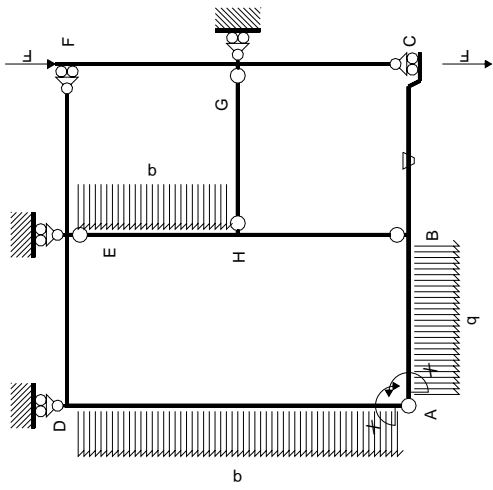
$$L_{DE}^{xo} = \int_0^b (1/2 - x/b + 1/2 x^2/b^2) \cdot Fb \cdot 1/EJ \, dx = \left[1/2 x - 1/2 x^2/b + 1/6 x^3/b^2 \right]_0^b \cdot Fb \cdot 1/EJ$$

$$= (1/2 b - 1/2 b + 1/6 b) \cdot Fb \cdot 1/EJ = 1/6 \cdot Fb^2/EJ$$

$$L_{ED}^{xo} = \int_0^b (1/2 x^2/b^2) \cdot Fb \cdot 1/EJ \, dx = \left[1/6 x^3/b^2 \right]_0^b \cdot Fb \cdot 1/EJ$$

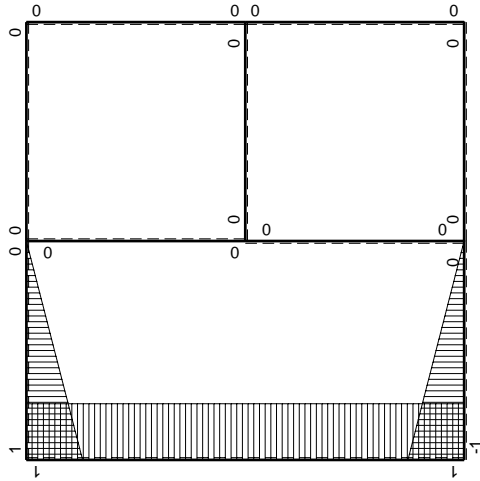
$$= (1/6 b) \cdot Fb \cdot 1/EJ = 1/6 \cdot Fb^2/EJ$$





Schema di calcolo iperstatico

M_0 flessione da carichi assegnati



M_1 flessione da iperstatica $X=1$

Quadro contributi PLV per iperstatica $X=W_{AB}$

→	$M_x(x)$	$M_o(x)$	θ	$M_x M_o$	$M_x \theta$	$M_x M_x$	$\int M_x(M_o/EJ+\theta)dx$	$\int X M_x M_x/EJ dx$
AB b	$-1+x/b$	$-3/2Fx-1/2qx^2$	0	$3/2Fx-Fx^2/b-1/2qx^3/b$	0	$1-2x/b+x^2/b^2$	$(7/24+0)Fb^2/EJ$	$1/3Xb/EJ$
BA b	x/b	$2Fb-5/2Fx+1/2qx^2$	0	$2Fx-5/2Fx^2/b+1/2qx^3/b$	0	x^2/b^2		
BC b	0	$-2Fb+2Fx$	$-Fb/EJ$	0	0	0	0+0	0
CB b	0	$2Fx$	Fb/EJ	0	0	0		
AD 2b	1	$-5/4Fx+1/2qx^2$	0	$-5/4Fx+1/2Fx^2/b$	0	1	$(-7/6+0)Fb^2/EJ$	$2Xb/EJ$
DA 2b	-1	$1/2Fb+3/4Fx-1/2qx^2$	0	$-1/2Fb-3/4Fx+1/2Fx^2/b$	0	1		
DE b	$1-x/b$	$-1/2Fb+1/2Fx$	0	$-1/2Fb+Fx-1/2Fx^2/b$	0	$1-2x/b+x^2/b^2$	$(-1/6+0)Fb^2/EJ$	$1/3Xb/EJ$
ED b	$-x/b$	$1/2Fx$	0	$-1/2Fx^2/b$	0	x^2/b^2		
EF b	0	0	0	0	0	0	0+0	0
FE b	0	0	0	0	0	0		
FG b	0	0	0	0	0	0	0+0	0
GF b	0	0	0	0	0	0		
GC b	0	0	0	0	0	0	0+0	0
CG b	0	0	0	0	0	0		
HG b	0	0	0	0	0	0	0+0	0
GH b	0	0	0	0	0	0		
HB b	0	$-5/4Fb+5/4Fx$	0	0	0	0	0+0	0
BH b	0	$5/4Fx$	0	0	0	0		
HE b	0	$5/4Fb-7/4Fx+1/2qx^2$	0	0	0	0	0+0	0
EH b	0	$-3/4Fx-1/2qx^2$	0	0	0	0		
AB	molla asta $-W_{1AB}(W_{0AB}+XW_{1AB})/k_{AB}$							$1/4Xb/EJ$
	totali						$-25/24Fb^2/EJ$	$35/12Xb/EJ$
	iperstatica $X=W_{AB}$						$5/14Fb$	

Sviluppi di calcolo iperstatica

$$L_{AB}^{xx} = \int_0^b (1 - 2x/b + x^2/b^2) \cdot 1/EJ \, dx + 1 \cdot 1/4 \cdot b/EJ = \left[x - x^2/b + 1/3 x^3/b^2 \right]_0^b \cdot 1/EJ + 1 \cdot 1/4 \cdot b/EJ$$

$$= (b - b + 1/3 b) \cdot 1/EJ + 1 \cdot 1/4 \cdot b/EJ = 7/12 \cdot b/EJ$$

$$L_{BA}^{xx} = \int_0^b (x^2/b^2) \cdot 1/EJ \, dx + 1 \cdot 1/4 \cdot b/EJ = \left[1/3 x^3/b^2 \right]_0^b \cdot 1/EJ + 1 \cdot 1/4 \cdot b/EJ$$

$$= (1/3 b) \cdot 1/EJ + 1 \cdot 1/4 \cdot b/EJ = 7/12 \cdot b/EJ$$

$$L_{AD}^{xx} = \int_0^{2b} (1) \cdot 1/EJ \, dx = \left[x \right]_0^{2b} \cdot 1/EJ$$

$$= (2b) \cdot 1/EJ = 2 \cdot b/EJ$$

$$L_{DA}^{xx} = \int_0^{2b} (1) \cdot 1/EJ \, dx = \left[x \right]_0^{2b} \cdot 1/EJ$$

$$= (2b) \cdot 1/EJ = 2 \cdot b/EJ$$

$$L_{DE}^{xx} = \int_0^b (1 - 2x/b + x^2/b^2) \cdot 1/EJ \, dx = \left[x - x^2/b + 1/3 x^3/b^2 \right]_0^b \cdot 1/EJ$$

$$= (b - b + 1/3 b) \cdot 1/EJ = 1/3 \cdot b/EJ$$

$$L_{ED}^{xx} = \int_0^b (x^2/b^2) \cdot 1/EJ \, dx = \left[1/3 x^3/b^2 \right]_0^b \cdot 1/EJ$$

$$= (1/3 b) \cdot 1/EJ = 1/3 \cdot b/EJ$$

$$L_{AB}^{xo} = \int_0^b (3/2 x/b - x^2/b^2 - 1/2 x^3/b^3) \cdot Fb \cdot 1/EJ \, dx + 1 \cdot 0 \cdot 1/4 \cdot Fb^2/EJ$$

$$= \left[3/4 x^2/b - 1/3 x^3/b^2 - 1/8 x^4/b^3 \right]_0^b \cdot Fb \cdot 1/EJ + 1 \cdot 0 \cdot 1/4 \cdot Fb^2/EJ$$

$$= (3/4 b - 1/3 b - 1/8 b) \cdot Fb \cdot 1/EJ + 1 \cdot 0 \cdot 1/4 \cdot Fb^2/EJ = 7/24 \cdot Fb^2/EJ$$

$$L_{BA}^{xo} = \int_0^b (2x/b - 5/2 x^2/b^2 + 1/2 x^3/b^3) \cdot Fb \cdot 1/EJ \, dx + 1 \cdot 0 \cdot 1/4 \cdot Fb^2/EJ$$

$$= \left[x^2/b - 5/6 x^3/b^2 + 1/8 x^4/b^3 \right]_0^b \cdot Fb \cdot 1/EJ + 1 \cdot 0 \cdot 1/4 \cdot Fb^2/EJ$$

$$= (b - 5/6 b + 1/8 b) \cdot Fb \cdot 1/EJ + 1 \cdot 0 \cdot 1/4 \cdot Fb^2/EJ = 7/24 \cdot Fb^2/EJ$$

$$L_{AD}^{xo} = \int_0^{2b} (-5/4 x/b + 1/2 x^2/b^2) \cdot Fb \cdot 1/EJ \, dx = \left[-5/8 x^2/b + 1/6 x^3/b^2 \right]_0^{2b} \cdot Fb \cdot 1/EJ$$

$$= (-5/2 b + 4/3 b) \cdot Fb \cdot 1/EJ = -7/6 \cdot Fb^2/EJ$$

$$L_{DA}^{xo} = \int_0^{2b} (-1/2 - 3/4 x/b + 1/2 x^2/b^2) \cdot Fb \cdot 1/EJ \, dx = \left[-1/2 x - 3/8 x^2/b + 1/6 x^3/b^2 \right]_0^{2b} \cdot Fb \cdot 1/EJ$$

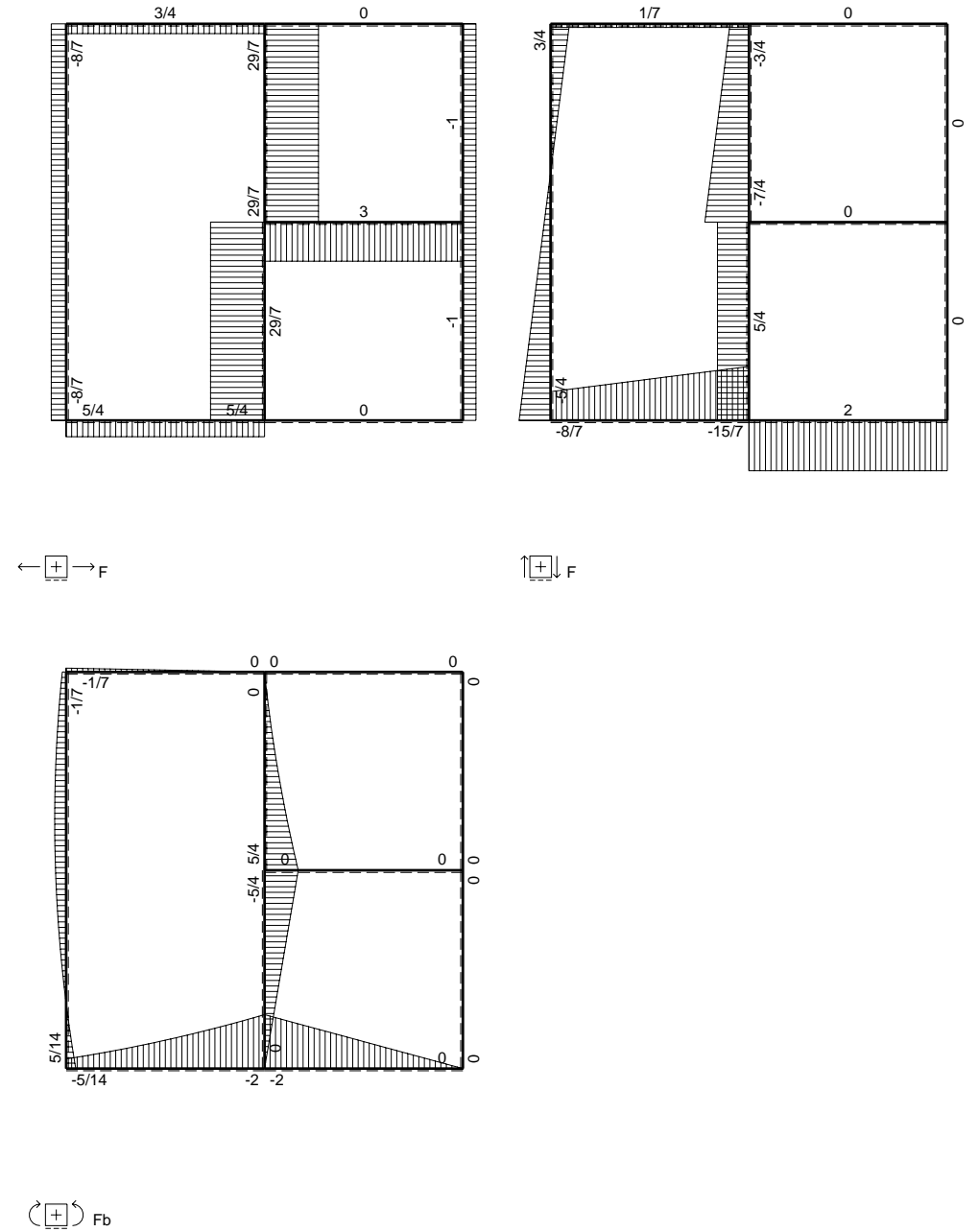
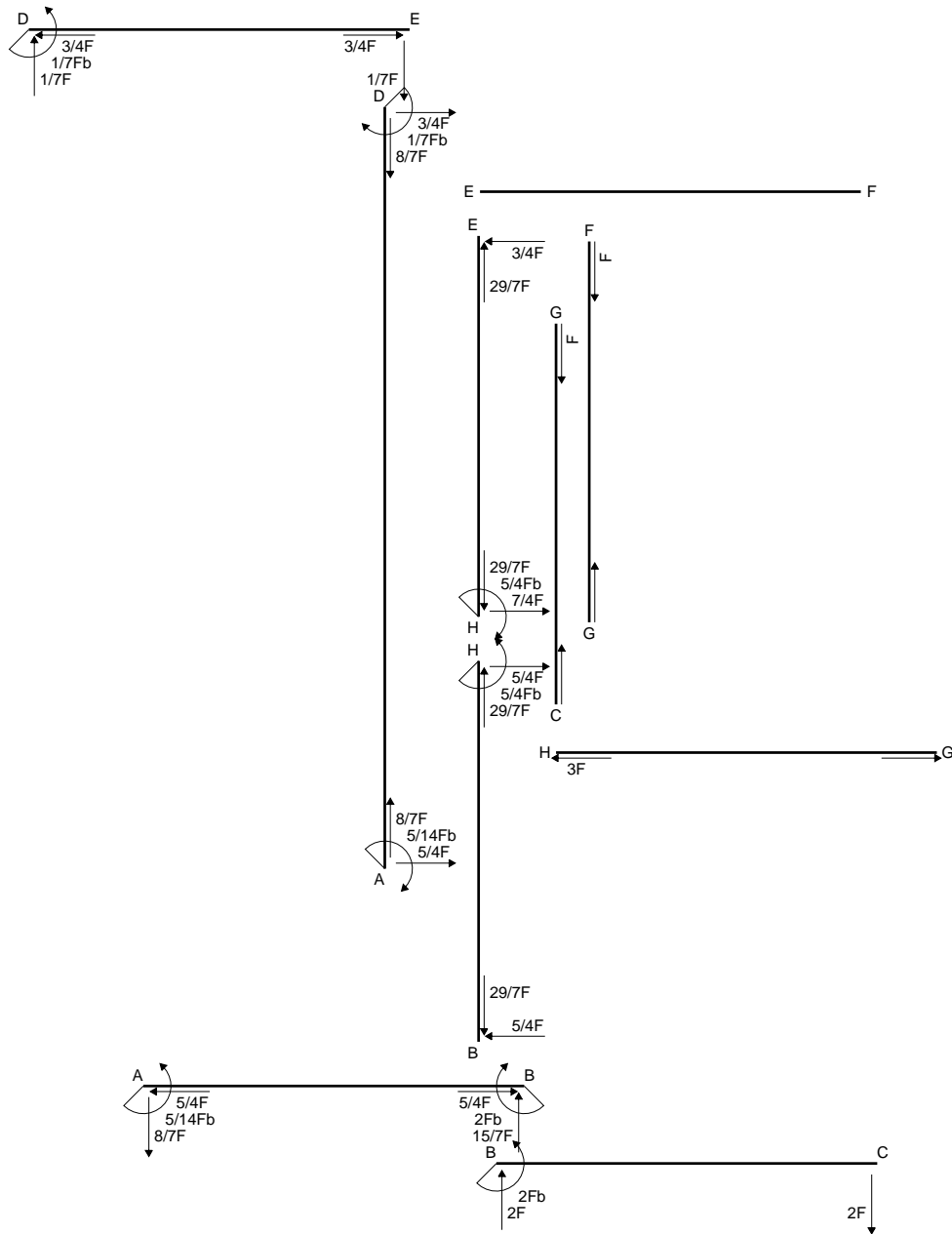
$$= (-b - 3/2 b + 4/3 b) \cdot Fb \cdot 1/EJ = -7/6 \cdot Fb^2/EJ$$

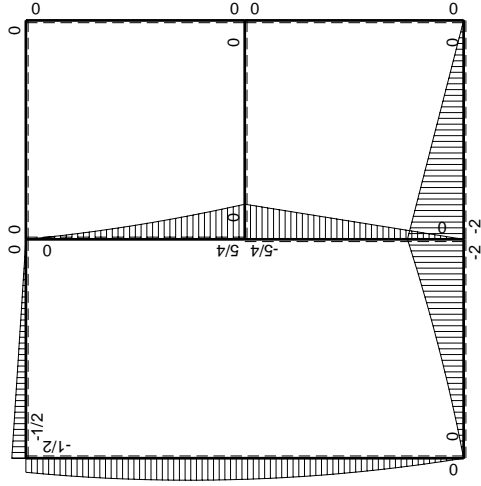
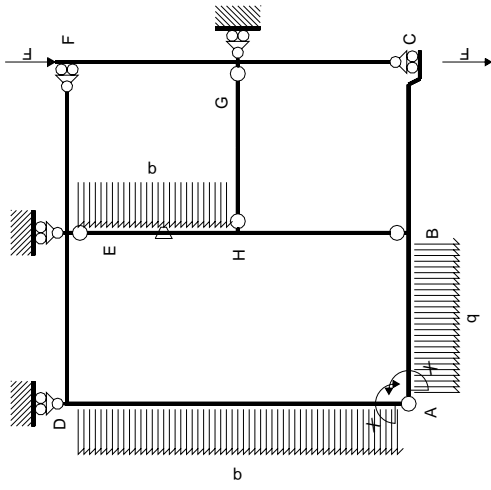
$$L_{DE}^{xo} = \int_0^b (-1/2 + x/b - 1/2 x^2/b^2) \cdot Fb \cdot 1/EJ \, dx = \left[-1/2 x + 1/2 x^2/b - 1/6 x^3/b^2 \right]_0^b \cdot Fb \cdot 1/EJ$$

$$= (-1/2 b + 1/2 b - 1/6 b) \cdot Fb \cdot 1/EJ = -1/6 \cdot Fb^2/EJ$$

$$L_{ED}^{xo} = \int_0^b (-1/2 x^2/b^2) \cdot Fb \cdot 1/EJ \, dx = \left[-1/6 x^3/b^2 \right]_0^b \cdot Fb \cdot 1/EJ$$

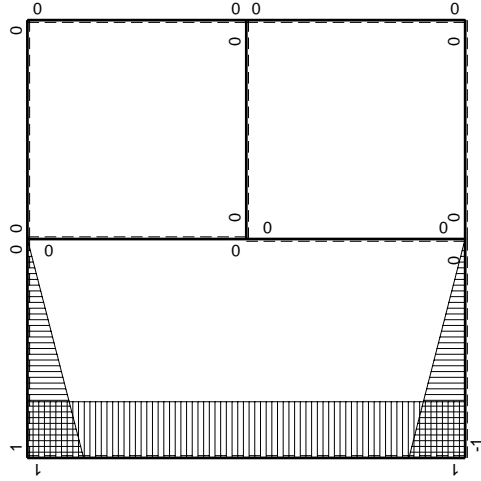
$$= (-1/6 b) \cdot Fb \cdot 1/EJ = -1/6 \cdot Fb^2/EJ$$





Schema di calcolo iperstatico

M_0 flessione da carichi assegnati



M_1 flessione da iperstatica $X=1$

Quadro contributi PLV per iperstatica $X=W_{AB}$

→	$M_x(x)$	$M_o(x)$	θ	$M_x M_o$	$M_x \theta$	$M_x M_x$	$\int M_x(M_o/EJ+\theta)dx$	$\int X M_x M_x/EJ dx$
AB b	$-1+x/b$	$-3/2Fx-1/2qx^2$	0	$3/2Fx-Fx^2/b-1/2qx^3/b$	0	$1-2x/b+x^2/b^2$	$(7/24+0)Fb^2/EJ$	$1/3Xb/EJ$
BA b	x/b	$2Fb-5/2Fx+1/2qx^2$	0	$2Fx-5/2Fx^2/b+1/2qx^3/b$	0	x^2/b^2		
BC b	0	$-2Fb+2Fx$	0	0	0	0	0+0	0
CB b	0	$2Fx$	0	0	0	0		
AD 2b	1	$-5/4Fx+1/2qx^2$	0	$-5/4Fx+1/2Fx^2/b$	0	1	$(-7/6+0)Fb^2/EJ$	$2Xb/EJ$
DA 2b	-1	$1/2Fb+3/4Fx-1/2qx^2$	0	$-1/2Fb-3/4Fx+1/2Fx^2/b$	0	1		
DE b	$1-x/b$	$-1/2Fb+1/2Fx$	0	$-1/2Fb+Fx-1/2Fx^2/b$	0	$1-2x/b+x^2/b^2$	$(-1/6+0)Fb^2/EJ$	$1/3Xb/EJ$
ED b	$-x/b$	$1/2Fx$	0	$-1/2Fx^2/b$	0	x^2/b^2		
EF b	0	0	0	0	0	0	0+0	0
FE b	0	0	0	0	0	0		
FG b	0	0	0	0	0	0	0+0	0
GF b	0	0	0	0	0	0		
GC b	0	0	0	0	0	0	0+0	0
CG b	0	0	0	0	0	0		
HG b	0	0	0	0	0	0	0+0	0
GH b	0	0	0	0	0	0		
HB b	0	$-5/4Fb+5/4Fx$	0	0	0	0	0+0	0
BH b	0	$5/4Fx$	0	0	0	0		
HE b	0	$5/4Fb-7/4Fx+1/2qx^2$	$-Fb/EJ$	0	0	0	0+0	0
EH b	0	$-3/4Fx-1/2qx^2$	Fb/EJ	0	0	0		
AB	molla asta $-W_{1AB}(W_{0AB}+XW_{1AB})/k_{AB}$							$1/4Xb/EJ$
	totali						$-25/24Fb^2/EJ$	$35/12Xb/EJ$
	iperstatica $X=W_{AB}$						$5/14Fb$	

Sviluppi di calcolo iperstatica

$$L_{AB}^{xx} = \int_0^b (1 - 2x/b + x^2/b^2) \cdot 1/EJ \, dx + 1 \cdot 1/4 \cdot b/EJ = \left[x - x^2/b + 1/3 x^3/b^2 \right]_0^b \cdot 1/EJ + 1 \cdot 1/4 \cdot b/EJ$$

$$= (b - b + 1/3 b) \cdot 1/EJ + 1 \cdot 1/4 \cdot b/EJ = 7/12 \cdot b/EJ$$

$$L_{BA}^{xx} = \int_0^b (x^2/b^2) \cdot 1/EJ \, dx + 1 \cdot 1/4 \cdot b/EJ = \left[1/3 x^3/b^2 \right]_0^b \cdot 1/EJ + 1 \cdot 1/4 \cdot b/EJ$$

$$= (1/3 b) \cdot 1/EJ + 1 \cdot 1/4 \cdot b/EJ = 7/12 \cdot b/EJ$$

$$L_{AD}^{xx} = \int_0^{2b} (1) \cdot 1/EJ \, dx = \left[x \right]_0^{2b} \cdot 1/EJ$$

$$= (2b) \cdot 1/EJ = 2 \cdot b/EJ$$

$$L_{DA}^{xx} = \int_0^{2b} (1) \cdot 1/EJ \, dx = \left[x \right]_0^{2b} \cdot 1/EJ$$

$$= (2b) \cdot 1/EJ = 2 \cdot b/EJ$$

$$L_{DE}^{xx} = \int_0^b (1 - 2x/b + x^2/b^2) \cdot 1/EJ \, dx = \left[x - x^2/b + 1/3 x^3/b^2 \right]_0^b \cdot 1/EJ$$

$$= (b - b + 1/3 b) \cdot 1/EJ = 1/3 \cdot b/EJ$$

$$L_{ED}^{xx} = \int_0^b (x^2/b^2) \cdot 1/EJ \, dx = \left[1/3 x^3/b^2 \right]_0^b \cdot 1/EJ$$

$$= (1/3 b) \cdot 1/EJ = 1/3 \cdot b/EJ$$

$$L_{AB}^{xo} = \int_0^b (3/2 x/b - x^2/b^2 - 1/2 x^3/b^3) \cdot Fb \cdot 1/EJ \, dx + 1 \cdot 0 \cdot 1/4 \cdot Fb^2/EJ$$

$$= \left[3/4 x^2/b - 1/3 x^3/b^2 - 1/8 x^4/b^3 \right]_0^b \cdot Fb \cdot 1/EJ + 1 \cdot 0 \cdot 1/4 \cdot Fb^2/EJ$$

$$= (3/4 b - 1/3 b - 1/8 b) \cdot Fb \cdot 1/EJ + 1 \cdot 0 \cdot 1/4 \cdot Fb^2/EJ = 7/24 \cdot Fb^2/EJ$$

$$L_{BA}^{xo} = \int_0^b (2x/b - 5/2 x^2/b^2 + 1/2 x^3/b^3) \cdot Fb \cdot 1/EJ \, dx + 1 \cdot 0 \cdot 1/4 \cdot Fb^2/EJ$$

$$= \left[x^2/b - 5/6 x^3/b^2 + 1/8 x^4/b^3 \right]_0^b \cdot Fb \cdot 1/EJ + 1 \cdot 0 \cdot 1/4 \cdot Fb^2/EJ$$

$$= (b - 5/6 b + 1/8 b) \cdot Fb \cdot 1/EJ + 1 \cdot 0 \cdot 1/4 \cdot Fb^2/EJ = 7/24 \cdot Fb^2/EJ$$

$$L_{AD}^{xo} = \int_0^{2b} (-5/4 x/b + 1/2 x^2/b^2) \cdot Fb \cdot 1/EJ \, dx = \left[-5/8 x^2/b + 1/6 x^3/b^2 \right]_0^{2b} \cdot Fb \cdot 1/EJ$$

$$= (-5/2 b + 4/3 b) \cdot Fb \cdot 1/EJ = -7/6 \cdot Fb^2/EJ$$

$$L_{DA}^{xo} = \int_0^{2b} (-1/2 - 3/4 x/b + 1/2 x^2/b^2) \cdot Fb \cdot 1/EJ \, dx = \left[-1/2 x - 3/8 x^2/b + 1/6 x^3/b^2 \right]_0^{2b} \cdot Fb \cdot 1/EJ$$

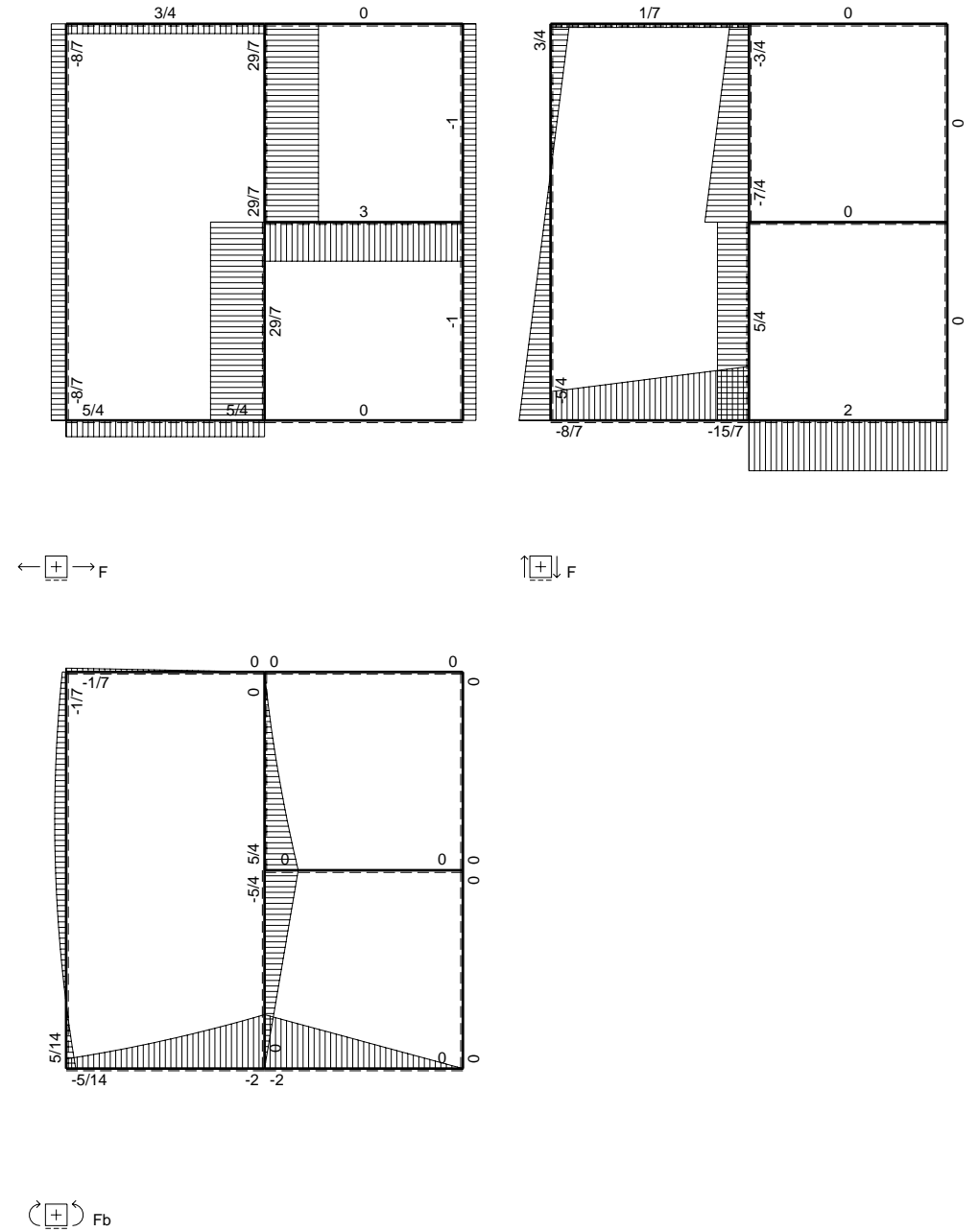
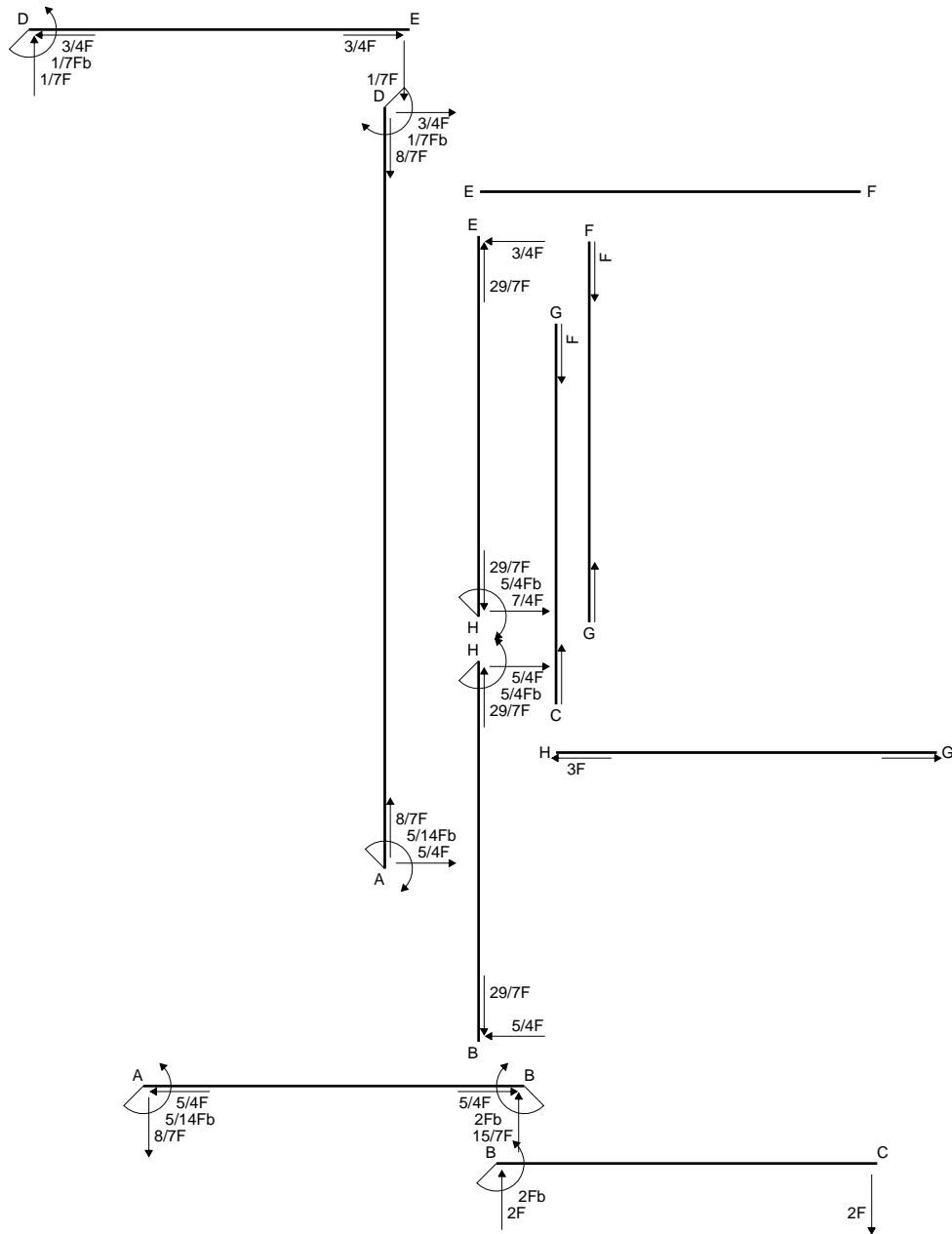
$$= (-b - 3/2 b + 4/3 b) \cdot Fb \cdot 1/EJ = -7/6 \cdot Fb^2/EJ$$

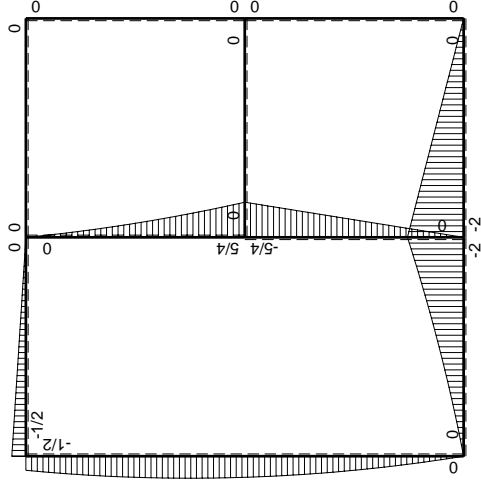
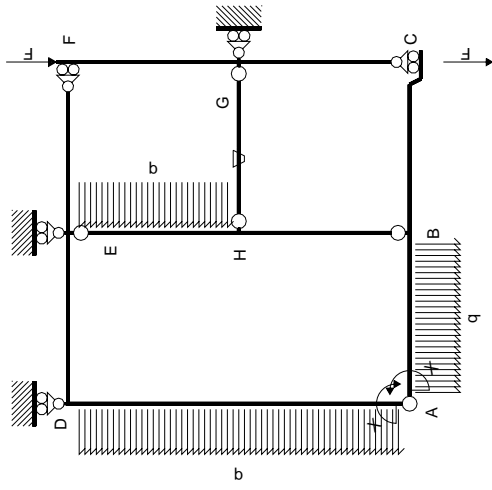
$$L_{DE}^{xo} = \int_0^b (-1/2 + x/b - 1/2 x^2/b^2) \cdot Fb \cdot 1/EJ \, dx = \left[-1/2 x + 1/2 x^2/b - 1/6 x^3/b^2 \right]_0^b \cdot Fb \cdot 1/EJ$$

$$= (-1/2 b + 1/2 b - 1/6 b) \cdot Fb \cdot 1/EJ = -1/6 \cdot Fb^2/EJ$$

$$L_{ED}^{xo} = \int_0^b (-1/2 x^2/b^2) \cdot Fb \cdot 1/EJ \, dx = \left[-1/6 x^3/b^2 \right]_0^b \cdot Fb \cdot 1/EJ$$

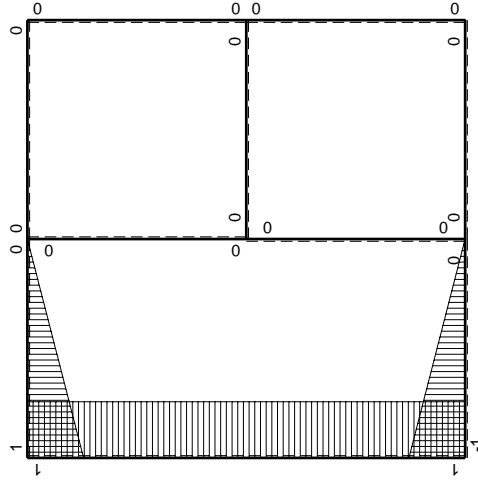
$$= (-1/6 b) \cdot Fb \cdot 1/EJ = -1/6 \cdot Fb^2/EJ$$





Schema di calcolo iperstatico

M_0 flessione da carichi assegnati



M_1 flessione da iperstatica $X=1$

Quadro contributi PLV per iperstatica $X=W_{AB}$

→	$M_x(x)$	$M_o(x)$	θ	$M_x M_o$	$M_x \theta$	$M_x M_x$	$\int M_x(M_o/EJ+\theta)dx$	$\int X M_x M_x/EJdx$
AB b	$-1+x/b$	$-3/2Fx-1/2qx^2$	0	$3/2Fx-Fx^2/b-1/2qx^3/b$	0	$1-2x/b+x^2/b^2$	$(7/24+0)Fb^2/EJ$	$1/3Xb/EJ$
BA b	x/b	$2Fb-5/2Fx+1/2qx^2$	0	$2Fx-5/2Fx^2/b+1/2qx^3/b$	0	x^2/b^2		
BC b	0	$-2Fb+2Fx$	0	0	0	0	0+0	0
CB b	0	$2Fx$	0	0	0	0		
AD 2b	1	$-5/4Fx+1/2qx^2$	0	$-5/4Fx+1/2Fx^2/b$	0	1	$(-7/6+0)Fb^2/EJ$	$2Xb/EJ$
DA 2b	-1	$1/2Fb+3/4Fx-1/2qx^2$	0	$-1/2Fb-3/4Fx+1/2Fx^2/b$	0	1		
DE b	$1-x/b$	$-1/2Fb+1/2Fx$	0	$-1/2Fb+Fx-1/2Fx^2/b$	0	$1-2x/b+x^2/b^2$	$(-1/6+0)Fb^2/EJ$	$1/3Xb/EJ$
ED b	$-x/b$	$1/2Fx$	0	$-1/2Fx^2/b$	0	x^2/b^2		
EF b	0	0	0	0	0	0	0+0	0
FE b	0	0	0	0	0	0		
FG b	0	0	0	0	0	0	0+0	0
GF b	0	0	0	0	0	0		
GC b	0	0	0	0	0	0	0+0	0
CG b	0	0	0	0	0	0		
HG b	0	0	$-Fb/EJ$	0	0	0	0+0	0
GH b	0	0	Fb/EJ	0	0	0		
HB b	0	$-5/4Fb+5/4Fx$	0	0	0	0	0+0	0
BH b	0	$5/4Fx$	0	0	0	0		
HE b	0	$5/4Fb-7/4Fx+1/2qx^2$	0	0	0	0	0+0	0
EH b	0	$-3/4Fx-1/2qx^2$	0	0	0	0		
AB	molla asta $-W_{1AB}(W_{0AB}+XW_{1AB})/k_{AB}$							$1/4Xb/EJ$
	totali						$-25/24Fb^2/EJ$	$35/12Xb/EJ$
	iperstatica $X=W_{AB}$						$5/14Fb$	

Sviluppi di calcolo iperstatica

$$L_{AB}^{xx} = \int_0^b (1 - 2x/b + x^2/b^2) \cdot 1/EJ \, dx + 1 \cdot 1/4 \cdot b/EJ = \left[x - x^2/b + 1/3 x^3/b^2 \right]_0^b \cdot 1/EJ + 1 \cdot 1/4 \cdot b/EJ$$

$$= (b - b + 1/3 b) \cdot 1/EJ + 1 \cdot 1/4 \cdot b/EJ = 7/12 \cdot b/EJ$$

$$L_{BA}^{xx} = \int_0^b (x^2/b^2) \cdot 1/EJ \, dx + 1 \cdot 1/4 \cdot b/EJ = \left[1/3 x^3/b^2 \right]_0^b \cdot 1/EJ + 1 \cdot 1/4 \cdot b/EJ$$

$$= (1/3 b) \cdot 1/EJ + 1 \cdot 1/4 \cdot b/EJ = 7/12 \cdot b/EJ$$

$$L_{AD}^{xx} = \int_0^{2b} (1) \cdot 1/EJ \, dx = \left[x \right]_0^{2b} \cdot 1/EJ$$

$$= (2b) \cdot 1/EJ = 2 \cdot b/EJ$$

$$L_{DA}^{xx} = \int_0^{2b} (1) \cdot 1/EJ \, dx = \left[x \right]_0^{2b} \cdot 1/EJ$$

$$= (2b) \cdot 1/EJ = 2 \cdot b/EJ$$

$$L_{DE}^{xx} = \int_0^b (1 - 2x/b + x^2/b^2) \cdot 1/EJ \, dx = \left[x - x^2/b + 1/3 x^3/b^2 \right]_0^b \cdot 1/EJ$$

$$= (b - b + 1/3 b) \cdot 1/EJ = 1/3 \cdot b/EJ$$

$$L_{ED}^{xx} = \int_0^b (x^2/b^2) \cdot 1/EJ \, dx = \left[1/3 x^3/b^2 \right]_0^b \cdot 1/EJ$$

$$= (1/3 b) \cdot 1/EJ = 1/3 \cdot b/EJ$$

$$L_{AB}^{xo} = \int_0^b (3/2 x/b - x^2/b^2 - 1/2 x^3/b^3) \cdot Fb \cdot 1/EJ \, dx + 1 \cdot 0 \cdot 1/4 \cdot Fb^2/EJ$$

$$= \left[3/4 x^2/b - 1/3 x^3/b^2 - 1/8 x^4/b^3 \right]_0^b \cdot Fb \cdot 1/EJ + 1 \cdot 0 \cdot 1/4 \cdot Fb^2/EJ$$

$$= (3/4 b - 1/3 b - 1/8 b) \cdot Fb \cdot 1/EJ + 1 \cdot 0 \cdot 1/4 \cdot Fb^2/EJ = 7/24 \cdot Fb^2/EJ$$

$$L_{BA}^{xo} = \int_0^b (2x/b - 5/2 x^2/b^2 + 1/2 x^3/b^3) \cdot Fb \cdot 1/EJ \, dx + 1 \cdot 0 \cdot 1/4 \cdot Fb^2/EJ$$

$$= \left[x^2/b - 5/6 x^3/b^2 + 1/8 x^4/b^3 \right]_0^b \cdot Fb \cdot 1/EJ + 1 \cdot 0 \cdot 1/4 \cdot Fb^2/EJ$$

$$= (b - 5/6 b + 1/8 b) \cdot Fb \cdot 1/EJ + 1 \cdot 0 \cdot 1/4 \cdot Fb^2/EJ = 7/24 \cdot Fb^2/EJ$$

$$L_{AD}^{xo} = \int_0^{2b} (-5/4 x/b + 1/2 x^2/b^2) \cdot Fb \cdot 1/EJ \, dx = \left[-5/8 x^2/b + 1/6 x^3/b^2 \right]_0^{2b} \cdot Fb \cdot 1/EJ$$

$$= (-5/2 b + 4/3 b) \cdot Fb \cdot 1/EJ = -7/6 \cdot Fb^2/EJ$$

$$L_{DA}^{xo} = \int_0^{2b} (-1/2 - 3/4 x/b + 1/2 x^2/b^2) \cdot Fb \cdot 1/EJ \, dx = \left[-1/2 x - 3/8 x^2/b + 1/6 x^3/b^2 \right]_0^{2b} \cdot Fb \cdot 1/EJ$$

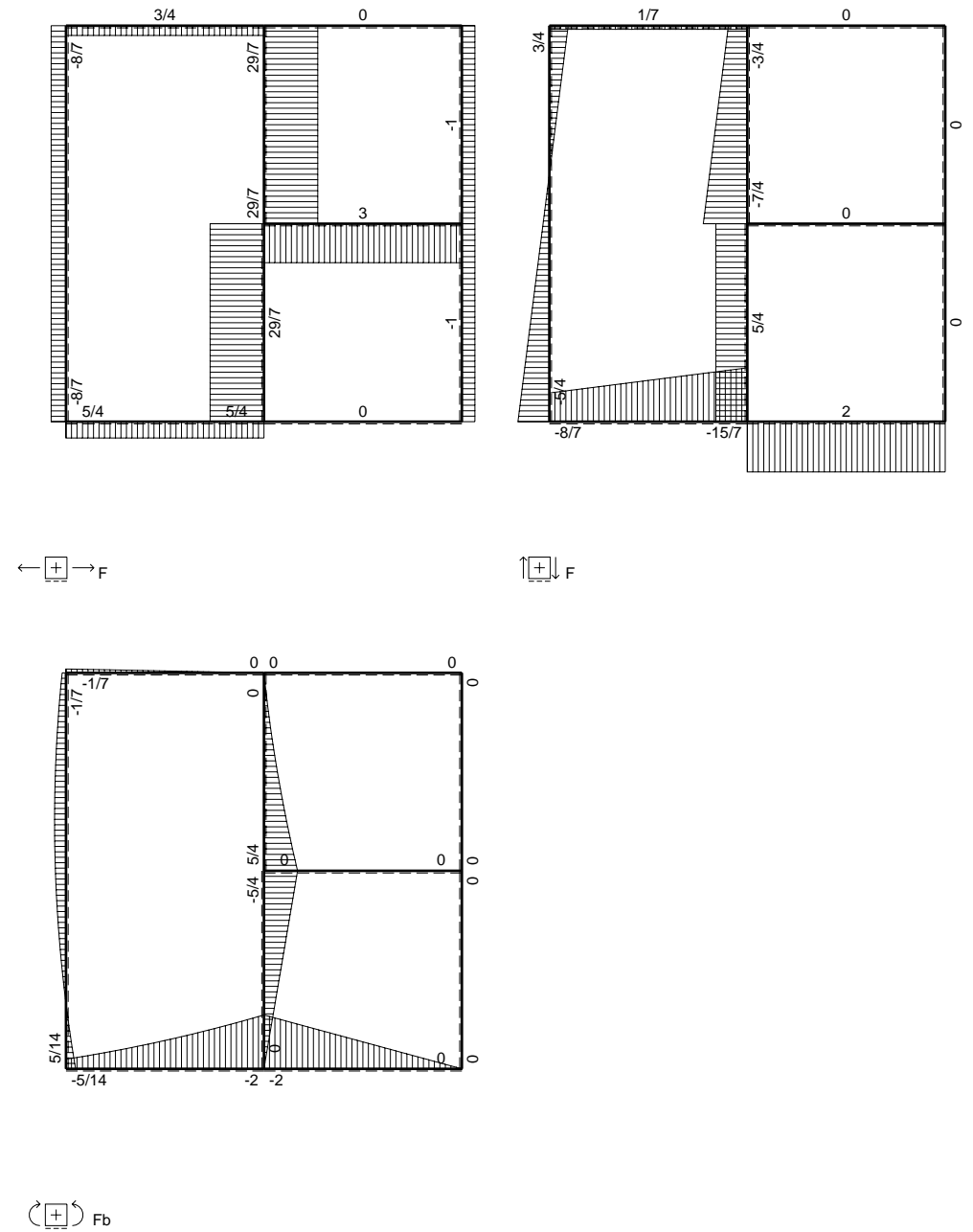
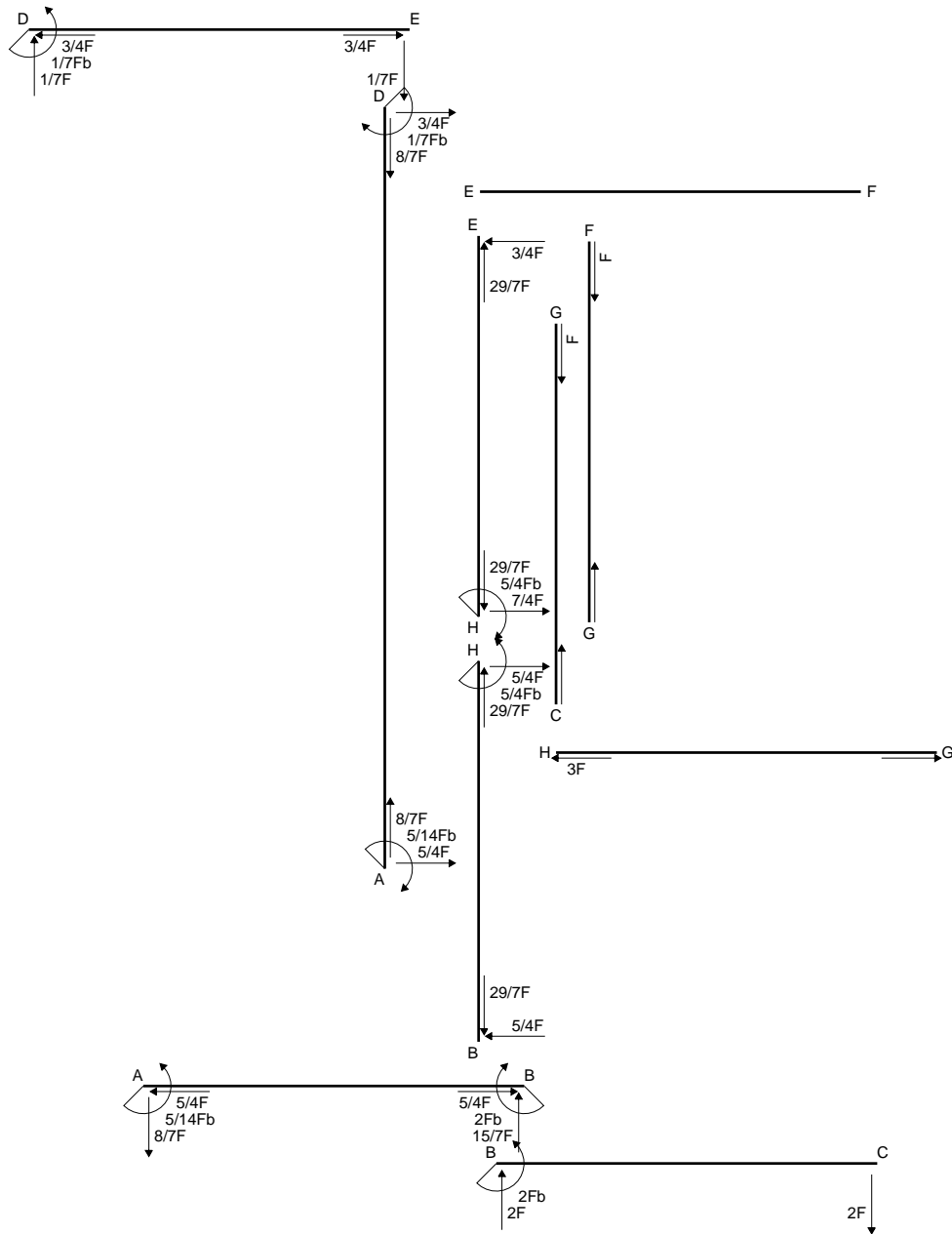
$$= (-b - 3/2 b + 4/3 b) \cdot Fb \cdot 1/EJ = -7/6 \cdot Fb^2/EJ$$

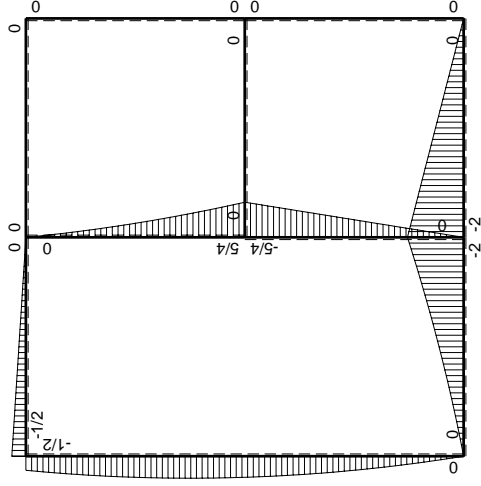
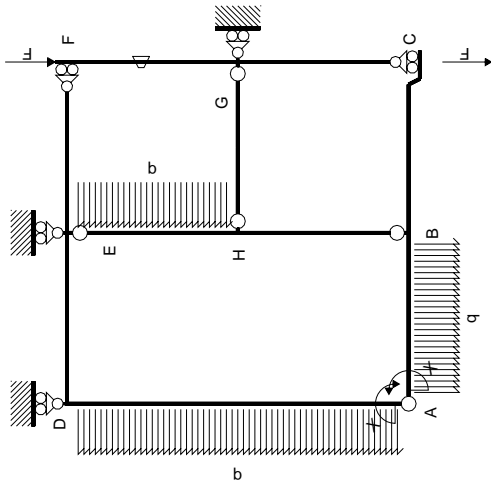
$$L_{DE}^{xo} = \int_0^b (-1/2 + x/b - 1/2 x^2/b^2) \cdot Fb \cdot 1/EJ \, dx = \left[-1/2 x + 1/2 x^2/b - 1/6 x^3/b^2 \right]_0^b \cdot Fb \cdot 1/EJ$$

$$= (-1/2 b + 1/2 b - 1/6 b) \cdot Fb \cdot 1/EJ = -1/6 \cdot Fb^2/EJ$$

$$L_{ED}^{xo} = \int_0^b (-1/2 x^2/b^2) \cdot Fb \cdot 1/EJ \, dx = \left[-1/6 x^3/b^2 \right]_0^b \cdot Fb \cdot 1/EJ$$

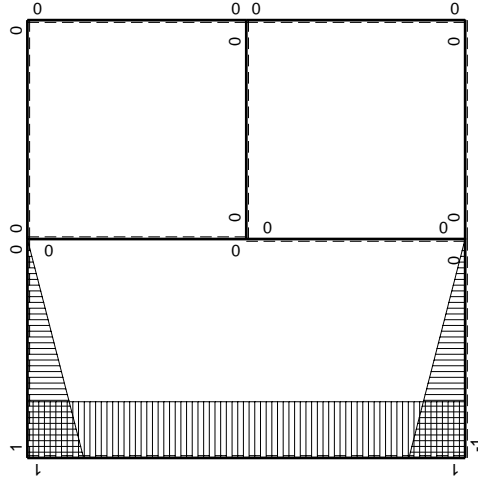
$$= (-1/6 b) \cdot Fb \cdot 1/EJ = -1/6 \cdot Fb^2/EJ$$





Schema di calcolo iperstatico

M_0 flessione da carichi assegnati



M_1 flessione da iperstatica $X=1$

Quadro contributi PLV per iperstatica $X=W_{AB}$

→	$M_x(x)$	$M_o(x)$	θ	$M_x M_o$	$M_x \theta$	$M_x M_x$	$\int M_x(M_o/EJ+\theta)dx$	$\int X M_x M_x/EJ dx$
AB b	$-1+x/b$	$-3/2Fx-1/2qx^2$	0	$3/2Fx-Fx^2/b-1/2qx^3/b$	0	$1-2x/b+x^2/b^2$	$(7/24+0)Fb^2/EJ$	$1/3Xb/EJ$
BA b	x/b	$2Fb-5/2Fx+1/2qx^2$	0	$2Fx-5/2Fx^2/b+1/2qx^3/b$	0	x^2/b^2		
BC b	0	$-2Fb+2Fx$	0	0	0	0	0+0	0
CB b	0	$2Fx$	0	0	0	0		
AD 2b	1	$-5/4Fx+1/2qx^2$	0	$-5/4Fx+1/2Fx^2/b$	0	1	$(-7/6+0)Fb^2/EJ$	$2Xb/EJ$
DA 2b	-1	$1/2Fb+3/4Fx-1/2qx^2$	0	$-1/2Fb-3/4Fx+1/2Fx^2/b$	0	1		
DE b	$1-x/b$	$-1/2Fb+1/2Fx$	0	$-1/2Fb+Fx-1/2Fx^2/b$	0	$1-2x/b+x^2/b^2$	$(-1/6+0)Fb^2/EJ$	$1/3Xb/EJ$
ED b	$-x/b$	$1/2Fx$	0	$-1/2Fx^2/b$	0	x^2/b^2		
EF b	0	0	0	0	0	0	0+0	0
FE b	0	0	0	0	0	0		
FG b	0	0	$-Fb/EJ$	0	0	0	0+0	0
GF b	0	0	Fb/EJ	0	0	0		
GC b	0	0	0	0	0	0	0+0	0
CG b	0	0	0	0	0	0		
HG b	0	0	0	0	0	0	0+0	0
GH b	0	0	0	0	0	0		
HB b	0	$-5/4Fb+5/4Fx$	0	0	0	0	0+0	0
BH b	0	$5/4Fx$	0	0	0	0		
HE b	0	$5/4Fb-7/4Fx+1/2qx^2$	0	0	0	0	0+0	0
EH b	0	$-3/4Fx-1/2qx^2$	0	0	0	0		
AB	molla asta $-W_{1AB}(W_{0AB}+XW_{1AB})/k_{AB}$							$1/4Xb/EJ$
	totali						$-25/24Fb^2/EJ$	$35/12Xb/EJ$
	iperstatica $X=W_{AB}$						$5/14Fb$	

Sviluppi di calcolo iperstatica

$$L_{AB}^{xx} = \int_0^b (1 - 2x/b + x^2/b^2) \cdot 1/EJ \, dx + 1 \cdot 1/4 \cdot b/EJ = \left[x - x^2/b + 1/3 x^3/b^2 \right]_0^b \cdot 1/EJ + 1 \cdot 1/4 \cdot b/EJ$$

$$= (b - b + 1/3 b) \cdot 1/EJ + 1 \cdot 1/4 \cdot b/EJ = 7/12 \cdot b/EJ$$

$$L_{BA}^{xx} = \int_0^b (x^2/b^2) \cdot 1/EJ \, dx + 1 \cdot 1/4 \cdot b/EJ = \left[1/3 x^3/b^2 \right]_0^b \cdot 1/EJ + 1 \cdot 1/4 \cdot b/EJ$$

$$= (1/3 b) \cdot 1/EJ + 1 \cdot 1/4 \cdot b/EJ = 7/12 \cdot b/EJ$$

$$L_{AD}^{xx} = \int_0^{2b} (1) \cdot 1/EJ \, dx = \left[x \right]_0^{2b} \cdot 1/EJ$$

$$= (2b) \cdot 1/EJ = 2 \cdot b/EJ$$

$$L_{DA}^{xx} = \int_0^{2b} (1) \cdot 1/EJ \, dx = \left[x \right]_0^{2b} \cdot 1/EJ$$

$$= (2b) \cdot 1/EJ = 2 \cdot b/EJ$$

$$L_{DE}^{xx} = \int_0^b (1 - 2x/b + x^2/b^2) \cdot 1/EJ \, dx = \left[x - x^2/b + 1/3 x^3/b^2 \right]_0^b \cdot 1/EJ$$

$$= (b - b + 1/3 b) \cdot 1/EJ = 1/3 \cdot b/EJ$$

$$L_{ED}^{xx} = \int_0^b (x^2/b^2) \cdot 1/EJ \, dx = \left[1/3 x^3/b^2 \right]_0^b \cdot 1/EJ$$

$$= (1/3 b) \cdot 1/EJ = 1/3 \cdot b/EJ$$

$$L_{AB}^{xo} = \int_0^b (3/2 x/b - x^2/b^2 - 1/2 x^3/b^3) \cdot Fb \cdot 1/EJ \, dx + 1 \cdot 0 \cdot 1/4 \cdot Fb^2/EJ$$

$$= \left[3/4 x^2/b - 1/3 x^3/b^2 - 1/8 x^4/b^3 \right]_0^b \cdot Fb \cdot 1/EJ + 1 \cdot 0 \cdot 1/4 \cdot Fb^2/EJ$$

$$= (3/4 b - 1/3 b - 1/8 b) \cdot Fb \cdot 1/EJ + 1 \cdot 0 \cdot 1/4 \cdot Fb^2/EJ = 7/24 \cdot Fb^2/EJ$$

$$L_{BA}^{xo} = \int_0^b (2x/b - 5/2 x^2/b^2 + 1/2 x^3/b^3) \cdot Fb \cdot 1/EJ \, dx + 1 \cdot 0 \cdot 1/4 \cdot Fb^2/EJ$$

$$= \left[x^2/b - 5/6 x^3/b^2 + 1/8 x^4/b^3 \right]_0^b \cdot Fb \cdot 1/EJ + 1 \cdot 0 \cdot 1/4 \cdot Fb^2/EJ$$

$$= (b - 5/6 b + 1/8 b) \cdot Fb \cdot 1/EJ + 1 \cdot 0 \cdot 1/4 \cdot Fb^2/EJ = 7/24 \cdot Fb^2/EJ$$

$$L_{AD}^{xo} = \int_0^{2b} (-5/4 x/b + 1/2 x^2/b^2) \cdot Fb \cdot 1/EJ \, dx = \left[-5/8 x^2/b + 1/6 x^3/b^2 \right]_0^{2b} \cdot Fb \cdot 1/EJ$$

$$= (-5/2 b + 4/3 b) \cdot Fb \cdot 1/EJ = -7/6 \cdot Fb^2/EJ$$

$$L_{DA}^{xo} = \int_0^{2b} (-1/2 - 3/4 x/b + 1/2 x^2/b^2) \cdot Fb \cdot 1/EJ \, dx = \left[-1/2 x - 3/8 x^2/b + 1/6 x^3/b^2 \right]_0^{2b} \cdot Fb \cdot 1/EJ$$

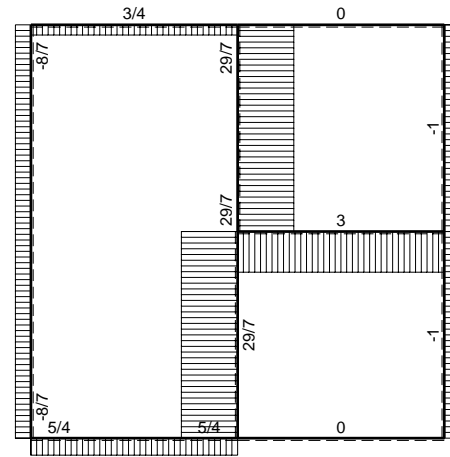
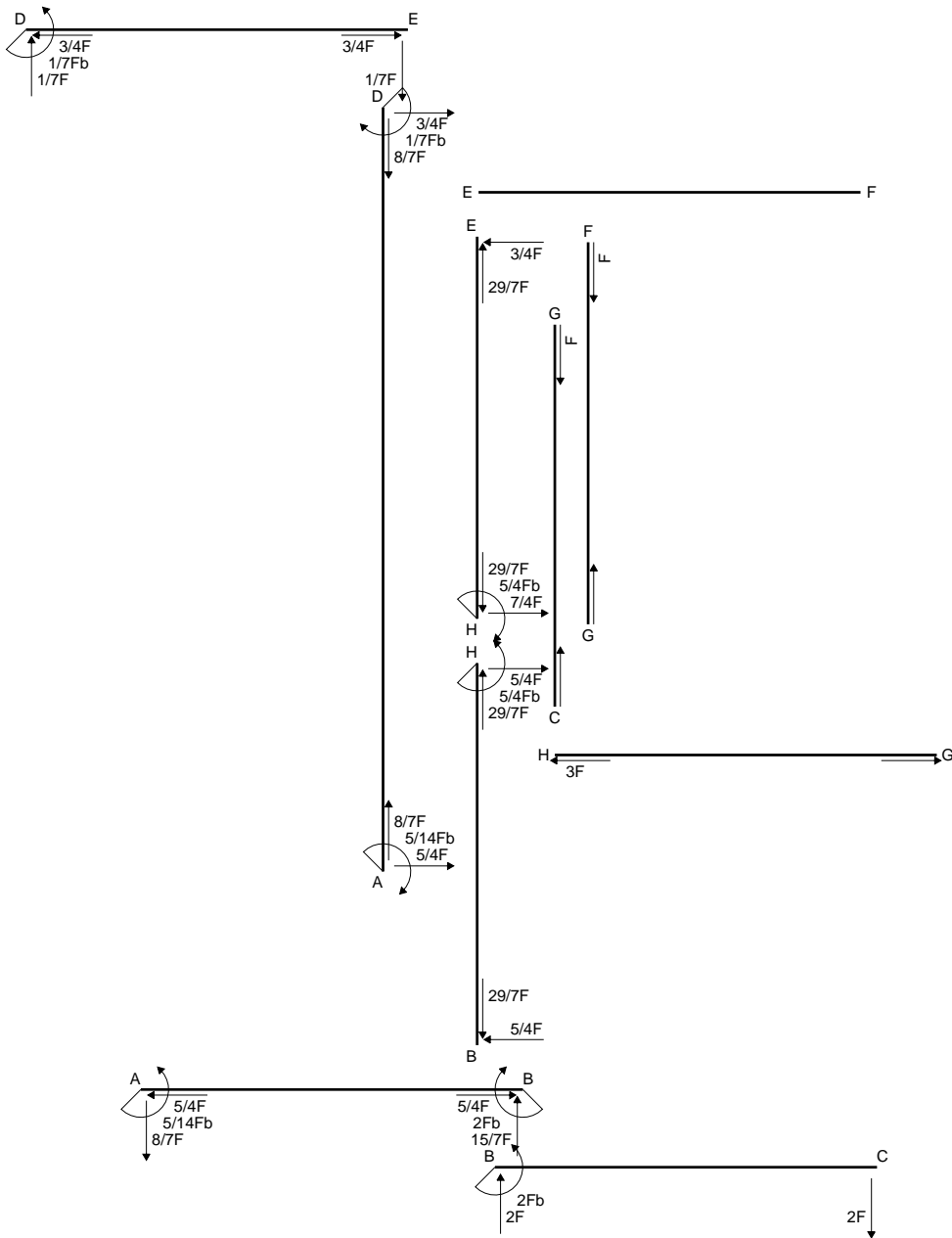
$$= (-b - 3/2 b + 4/3 b) \cdot Fb \cdot 1/EJ = -7/6 \cdot Fb^2/EJ$$

$$L_{DE}^{xo} = \int_0^b (-1/2 + x/b - 1/2 x^2/b^2) \cdot Fb \cdot 1/EJ \, dx = \left[-1/2 x + 1/2 x^2/b - 1/6 x^3/b^2 \right]_0^b \cdot Fb \cdot 1/EJ$$

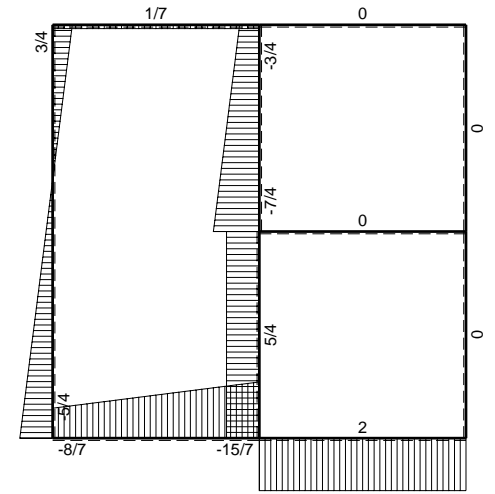
$$= (-1/2 b + 1/2 b - 1/6 b) \cdot Fb \cdot 1/EJ = -1/6 \cdot Fb^2/EJ$$

$$L_{ED}^{xo} = \int_0^b (-1/2 x^2/b^2) \cdot Fb \cdot 1/EJ \, dx = \left[-1/6 x^3/b^2 \right]_0^b \cdot Fb \cdot 1/EJ$$

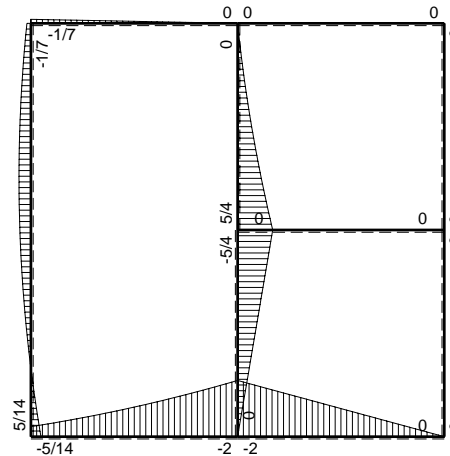
$$= (-1/6 b) \cdot Fb \cdot 1/EJ = -1/6 \cdot Fb^2/EJ$$



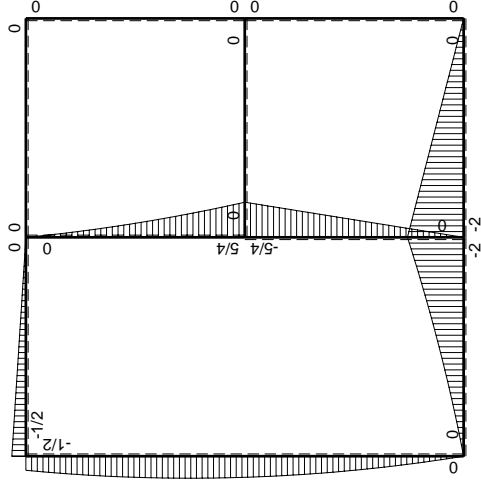
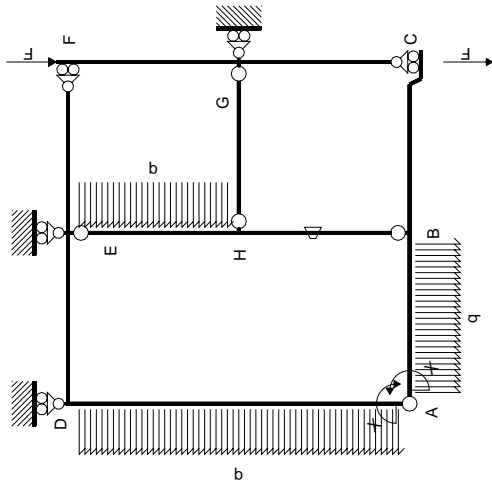
← ⊕ → F



↑ ⊕ ↓ F

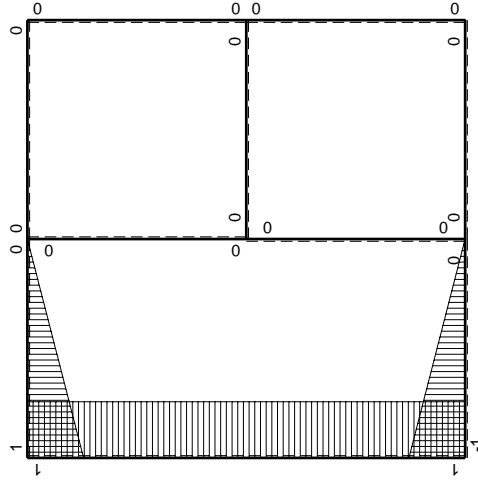


⊕ ⊖ F_b



Schema di calcolo iperstatico

M_0 flessione da carichi assegnati



M_x flessione da iperstatica $X=1$

Quadro contributi PLV per iperstatica $X=W_{AB}$

→	$M_x(x)$	$M_o(x)$	θ	$M_x M_o$	$M_x \theta$	$M_x M_x$	$\int M_x(M_o/EJ+\theta)dx$	$\int X M_x M_x/EJdx$
AB b	$-1+x/b$	$-3/2Fx-1/2qx^2$	0	$3/2Fx-Fx^2/b-1/2qx^3/b$	0	$1-2x/b+x^2/b^2$	$(7/24+0)Fb^2/EJ$	$1/3Xb/EJ$
BA b	x/b	$2Fb-5/2Fx+1/2qx^2$	0	$2Fx-5/2Fx^2/b+1/2qx^3/b$	0	x^2/b^2		
BC b	0	$-2Fb+2Fx$	0	0	0	0	0+0	0
CB b	0	$2Fx$	0	0	0	0		
AD 2b	1	$-5/4Fx+1/2qx^2$	0	$-5/4Fx+1/2Fx^2/b$	0	1	$(-7/6+0)Fb^2/EJ$	$2Xb/EJ$
DA 2b	-1	$1/2Fb+3/4Fx-1/2qx^2$	0	$-1/2Fb-3/4Fx+1/2Fx^2/b$	0	1		
DE b	$1-x/b$	$-1/2Fb+1/2Fx$	0	$-1/2Fb+Fx-1/2Fx^2/b$	0	$1-2x/b+x^2/b^2$	$(-1/6+0)Fb^2/EJ$	$1/3Xb/EJ$
ED b	$-x/b$	$1/2Fx$	0	$-1/2Fx^2/b$	0	x^2/b^2		
EF b	0	0	0	0	0	0	0+0	0
FE b	0	0	0	0	0	0		
FG b	0	0	0	0	0	0	0+0	0
GF b	0	0	0	0	0	0		
GC b	0	0	0	0	0	0	0+0	0
CG b	0	0	0	0	0	0		
HG b	0	0	0	0	0	0	0+0	0
GH b	0	0	0	0	0	0		
HB b	0	$-5/4Fb+5/4Fx$	$-Fb/EJ$	0	0	0	0+0	0
BH b	0	$5/4Fx$	Fb/EJ	0	0	0		
HE b	0	$5/4Fb-7/4Fx+1/2qx^2$	0	0	0	0	0+0	0
EH b	0	$-3/4Fx-1/2qx^2$	0	0	0	0		
AB	molla asta $-W_{1AB}(W_{0AB}+XW_{1AB})/k_{AB}$							$1/4Xb/EJ$
	totali						$-25/24Fb^2/EJ$	$35/12Xb/EJ$
	iperstatica $X=W_{AB}$						$5/14Fb$	

Sviluppi di calcolo iperstatica

$$L_{AB}^{xx} = \int_0^b (1 - 2x/b + x^2/b^2) \cdot 1/EJ \, dx + 1 \cdot 1/4 \cdot b/EJ = \left[x - x^2/b + 1/3 x^3/b^2 \right]_0^b \cdot 1/EJ + 1 \cdot 1/4 \cdot b/EJ$$

$$= (b - b + 1/3 b) \cdot 1/EJ + 1 \cdot 1/4 \cdot b/EJ = 7/12 \cdot b/EJ$$

$$L_{BA}^{xx} = \int_0^b (x^2/b^2) \cdot 1/EJ \, dx + 1 \cdot 1/4 \cdot b/EJ = \left[1/3 x^3/b^2 \right]_0^b \cdot 1/EJ + 1 \cdot 1/4 \cdot b/EJ$$

$$= (1/3 b) \cdot 1/EJ + 1 \cdot 1/4 \cdot b/EJ = 7/12 \cdot b/EJ$$

$$L_{AD}^{xx} = \int_0^{2b} (1) \cdot 1/EJ \, dx = \left[x \right]_0^{2b} \cdot 1/EJ$$

$$= (2b) \cdot 1/EJ = 2 \cdot b/EJ$$

$$L_{DA}^{xx} = \int_0^{2b} (1) \cdot 1/EJ \, dx = \left[x \right]_0^{2b} \cdot 1/EJ$$

$$= (2b) \cdot 1/EJ = 2 \cdot b/EJ$$

$$L_{DE}^{xx} = \int_0^b (1 - 2x/b + x^2/b^2) \cdot 1/EJ \, dx = \left[x - x^2/b + 1/3 x^3/b^2 \right]_0^b \cdot 1/EJ$$

$$= (b - b + 1/3 b) \cdot 1/EJ = 1/3 \cdot b/EJ$$

$$L_{ED}^{xx} = \int_0^b (x^2/b^2) \cdot 1/EJ \, dx = \left[1/3 x^3/b^2 \right]_0^b \cdot 1/EJ$$

$$= (1/3 b) \cdot 1/EJ = 1/3 \cdot b/EJ$$

$$L_{AB}^{xo} = \int_0^b (3/2 x/b - x^2/b^2 - 1/2 x^3/b^3) \cdot Fb \cdot 1/EJ \, dx + 1 \cdot 0 \cdot 1/4 \cdot Fb^2/EJ$$

$$= \left[3/4 x^2/b - 1/3 x^3/b^2 - 1/8 x^4/b^3 \right]_0^b \cdot Fb \cdot 1/EJ + 1 \cdot 0 \cdot 1/4 \cdot Fb^2/EJ$$

$$= (3/4 b - 1/3 b - 1/8 b) \cdot Fb \cdot 1/EJ + 1 \cdot 0 \cdot 1/4 \cdot Fb^2/EJ = 7/24 \cdot Fb^2/EJ$$

$$L_{BA}^{xo} = \int_0^b (2x/b - 5/2 x^2/b^2 + 1/2 x^3/b^3) \cdot Fb \cdot 1/EJ \, dx + 1 \cdot 0 \cdot 1/4 \cdot Fb^2/EJ$$

$$= \left[x^2/b - 5/6 x^3/b^2 + 1/8 x^4/b^3 \right]_0^b \cdot Fb \cdot 1/EJ + 1 \cdot 0 \cdot 1/4 \cdot Fb^2/EJ$$

$$= (b - 5/6 b + 1/8 b) \cdot Fb \cdot 1/EJ + 1 \cdot 0 \cdot 1/4 \cdot Fb^2/EJ = 7/24 \cdot Fb^2/EJ$$

$$L_{AD}^{xo} = \int_0^{2b} (-5/4 x/b + 1/2 x^2/b^2) \cdot Fb \cdot 1/EJ \, dx = \left[-5/8 x^2/b + 1/6 x^3/b^2 \right]_0^{2b} \cdot Fb \cdot 1/EJ$$

$$= (-5/2 b + 4/3 b) \cdot Fb \cdot 1/EJ = -7/6 \cdot Fb^2/EJ$$

$$L_{DA}^{xo} = \int_0^{2b} (-1/2 - 3/4 x/b + 1/2 x^2/b^2) \cdot Fb \cdot 1/EJ \, dx = \left[-1/2 x - 3/8 x^2/b + 1/6 x^3/b^2 \right]_0^{2b} \cdot Fb \cdot 1/EJ$$

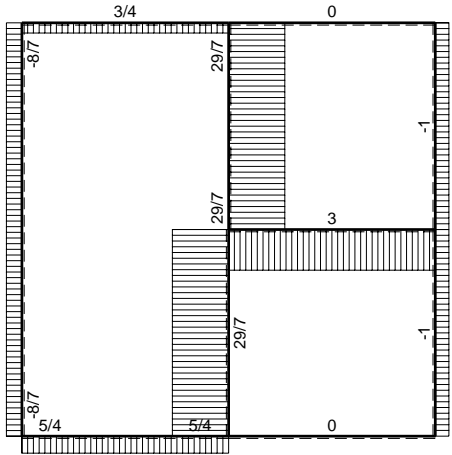
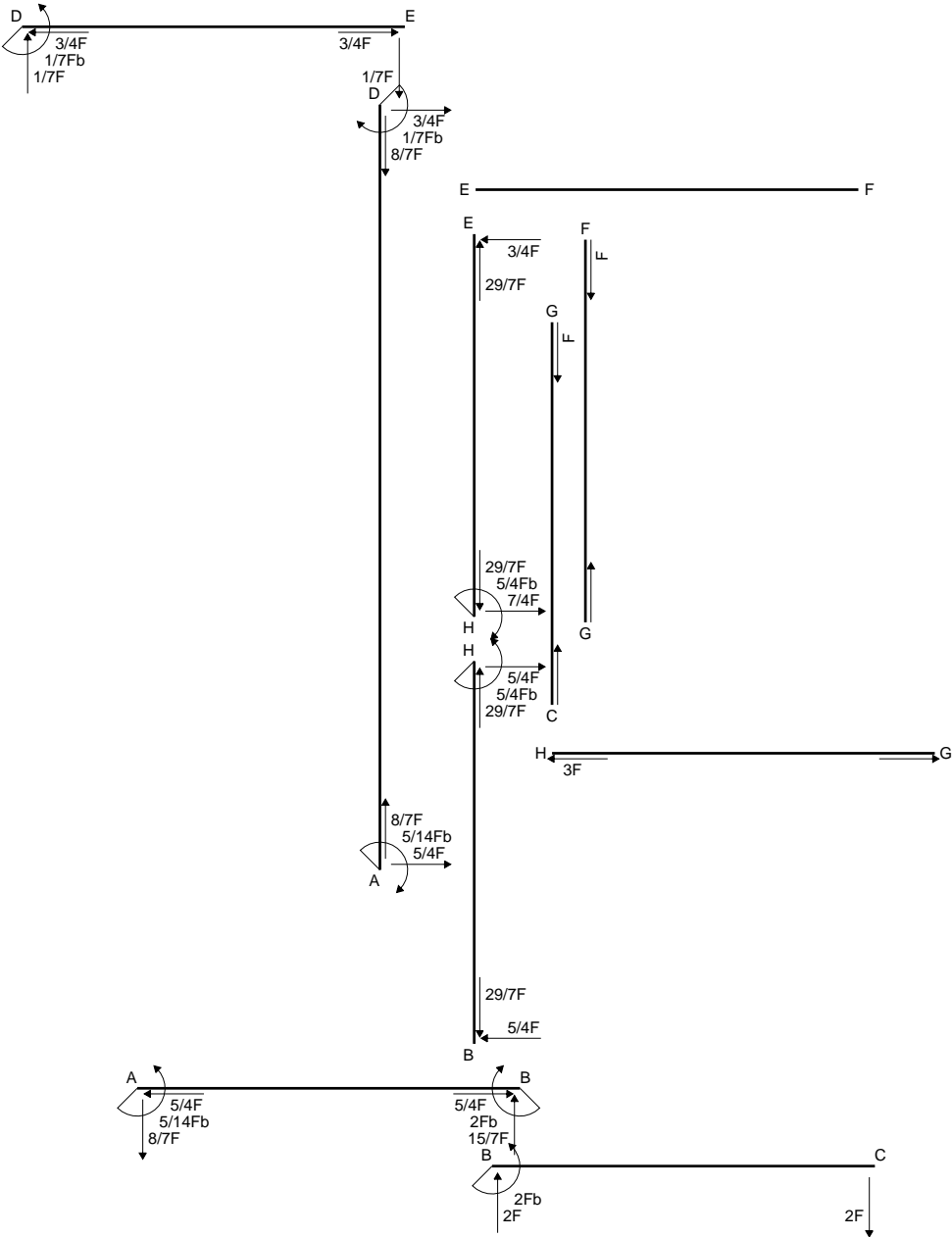
$$= (-b - 3/2 b + 4/3 b) \cdot Fb \cdot 1/EJ = -7/6 \cdot Fb^2/EJ$$

$$L_{DE}^{xo} = \int_0^b (-1/2 + x/b - 1/2 x^2/b^2) \cdot Fb \cdot 1/EJ \, dx = \left[-1/2 x + 1/2 x^2/b - 1/6 x^3/b^2 \right]_0^b \cdot Fb \cdot 1/EJ$$

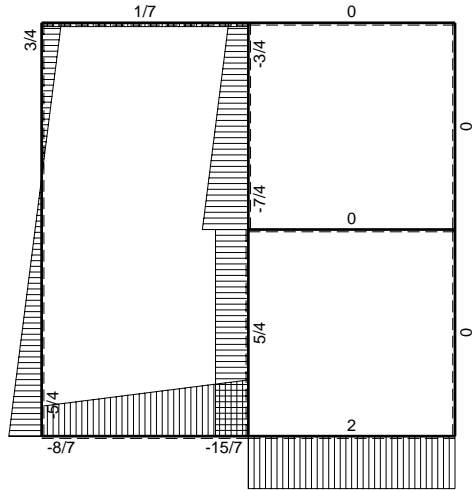
$$= (-1/2 b + 1/2 b - 1/6 b) \cdot Fb \cdot 1/EJ = -1/6 \cdot Fb^2/EJ$$

$$L_{ED}^{xo} = \int_0^b (-1/2 x^2/b^2) \cdot Fb \cdot 1/EJ \, dx = \left[-1/6 x^3/b^2 \right]_0^b \cdot Fb \cdot 1/EJ$$

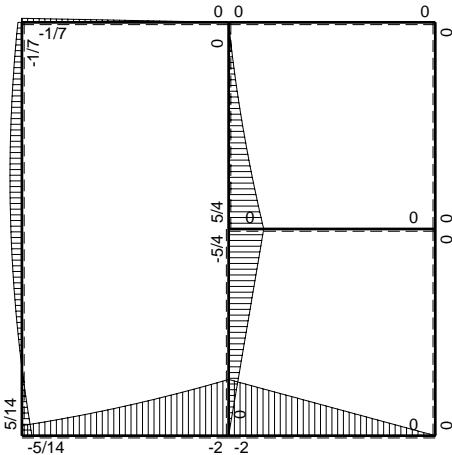
$$= (-1/6 b) \cdot Fb \cdot 1/EJ = -1/6 \cdot Fb^2/EJ$$



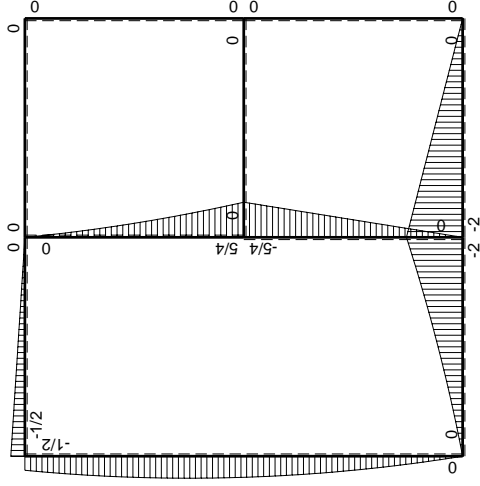
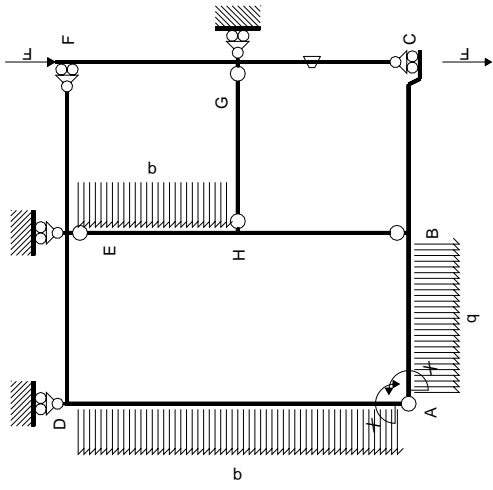
← ⊕ → F



↑ ⊕ ↓ F

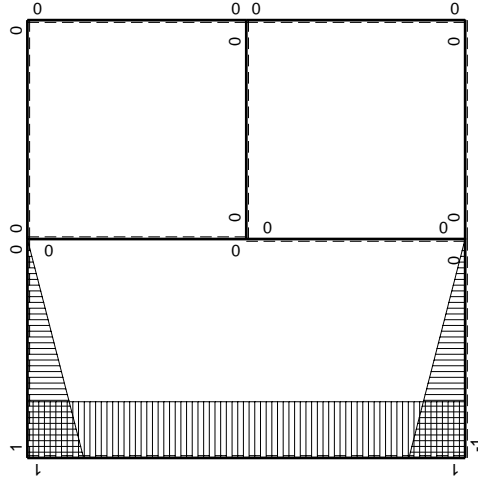


⊕ ⊖ Fb



Schema di calcolo iperstatico

M_0 flessione da carichi assegnati



M_1 flessione da iperstatica $X=1$

Quadro contributi PLV per iperstatica $X=W_{AB}$

→	$M_x(x)$	$M_o(x)$	θ	$M_x M_o$	$M_x \theta$	$M_x M_x$	$\int M_x(M_o/EJ+\theta)dx$	$\int X M_x M_x/EJ dx$
AB b	$-1+x/b$	$-3/2Fx-1/2qx^2$	0	$3/2Fx-Fx^2/b-1/2qx^3/b$	0	$1-2x/b+x^2/b^2$	$(7/24+0)Fb^2/EJ$	$1/3Xb/EJ$
BA b	x/b	$2Fb-5/2Fx+1/2qx^2$	0	$2Fx-5/2Fx^2/b+1/2qx^3/b$	0	x^2/b^2		
BC b	0	$-2Fb+2Fx$	0	0	0	0	0+0	0
CB b	0	$2Fx$	0	0	0	0		
AD 2b	1	$-5/4Fx+1/2qx^2$	0	$-5/4Fx+1/2Fx^2/b$	0	1	$(-7/6+0)Fb^2/EJ$	$2Xb/EJ$
DA 2b	-1	$1/2Fb+3/4Fx-1/2qx^2$	0	$-1/2Fb-3/4Fx+1/2Fx^2/b$	0	1		
DE b	$1-x/b$	$-1/2Fb+1/2Fx$	0	$-1/2Fb+Fx-1/2Fx^2/b$	0	$1-2x/b+x^2/b^2$	$(-1/6+0)Fb^2/EJ$	$1/3Xb/EJ$
ED b	$-x/b$	$1/2Fx$	0	$-1/2Fx^2/b$	0	x^2/b^2		
EF b	0	0	0	0	0	0	0+0	0
FE b	0	0	0	0	0	0		
FG b	0	0	0	0	0	0	0+0	0
GF b	0	0	0	0	0	0		
GC b	0	0	$-Fb/EJ$	0	0	0	0+0	0
CG b	0	0	Fb/EJ	0	0	0		
HG b	0	0	0	0	0	0	0+0	0
GH b	0	0	0	0	0	0		
HB b	0	$-5/4Fb+5/4Fx$	0	0	0	0	0+0	0
BH b	0	$5/4Fx$	0	0	0	0		
HE b	0	$5/4Fb-7/4Fx+1/2qx^2$	0	0	0	0	0+0	0
EH b	0	$-3/4Fx-1/2qx^2$	0	0	0	0		
AB	molla asta $-W_{1AB}(W_{0AB}+XW_{1AB})/k_{AB}$							$1/4Xb/EJ$
	totali						$-25/24Fb^2/EJ$	$35/12Xb/EJ$
	iperstatica $X=W_{AB}$						$5/14Fb$	

Sviluppi di calcolo iperstatica

$$L_{AB}^{xx} = \int_0^b (1 - 2x/b + x^2/b^2) \cdot 1/EJ \, dx + 1 \cdot 1/4 \cdot b/EJ = \left[x - x^2/b + 1/3 x^3/b^2 \right]_0^b \cdot 1/EJ + 1 \cdot 1/4 \cdot b/EJ$$

$$= (b - b + 1/3 b) \cdot 1/EJ + 1 \cdot 1/4 \cdot b/EJ = 7/12 \cdot b/EJ$$

$$L_{BA}^{xx} = \int_0^b (x^2/b^2) \cdot 1/EJ \, dx + 1 \cdot 1/4 \cdot b/EJ = \left[1/3 x^3/b^2 \right]_0^b \cdot 1/EJ + 1 \cdot 1/4 \cdot b/EJ$$

$$= (1/3 b) \cdot 1/EJ + 1 \cdot 1/4 \cdot b/EJ = 7/12 \cdot b/EJ$$

$$L_{AD}^{xx} = \int_0^{2b} (1) \cdot 1/EJ \, dx = \left[x \right]_0^{2b} \cdot 1/EJ$$

$$= (2b) \cdot 1/EJ = 2 \cdot b/EJ$$

$$L_{DA}^{xx} = \int_0^{2b} (1) \cdot 1/EJ \, dx = \left[x \right]_0^{2b} \cdot 1/EJ$$

$$= (2b) \cdot 1/EJ = 2 \cdot b/EJ$$

$$L_{DE}^{xx} = \int_0^b (1 - 2x/b + x^2/b^2) \cdot 1/EJ \, dx = \left[x - x^2/b + 1/3 x^3/b^2 \right]_0^b \cdot 1/EJ$$

$$= (b - b + 1/3 b) \cdot 1/EJ = 1/3 \cdot b/EJ$$

$$L_{ED}^{xx} = \int_0^b (x^2/b^2) \cdot 1/EJ \, dx = \left[1/3 x^3/b^2 \right]_0^b \cdot 1/EJ$$

$$= (1/3 b) \cdot 1/EJ = 1/3 \cdot b/EJ$$

$$L_{AB}^{xo} = \int_0^b (3/2 x/b - x^2/b^2 - 1/2 x^3/b^3) \cdot Fb \cdot 1/EJ \, dx + 1 \cdot 0 \cdot 1/4 \cdot Fb^2/EJ$$

$$= \left[3/4 x^2/b - 1/3 x^3/b^2 - 1/8 x^4/b^3 \right]_0^b \cdot Fb \cdot 1/EJ + 1 \cdot 0 \cdot 1/4 \cdot Fb^2/EJ$$

$$= (3/4 b - 1/3 b - 1/8 b) \cdot Fb \cdot 1/EJ + 1 \cdot 0 \cdot 1/4 \cdot Fb^2/EJ = 7/24 \cdot Fb^2/EJ$$

$$L_{BA}^{xo} = \int_0^b (2x/b - 5/2 x^2/b^2 + 1/2 x^3/b^3) \cdot Fb \cdot 1/EJ \, dx + 1 \cdot 0 \cdot 1/4 \cdot Fb^2/EJ$$

$$= \left[x^2/b - 5/6 x^3/b^2 + 1/8 x^4/b^3 \right]_0^b \cdot Fb \cdot 1/EJ + 1 \cdot 0 \cdot 1/4 \cdot Fb^2/EJ$$

$$= (b - 5/6 b + 1/8 b) \cdot Fb \cdot 1/EJ + 1 \cdot 0 \cdot 1/4 \cdot Fb^2/EJ = 7/24 \cdot Fb^2/EJ$$

$$L_{AD}^{xo} = \int_0^{2b} (-5/4 x/b + 1/2 x^2/b^2) \cdot Fb \cdot 1/EJ \, dx = \left[-5/8 x^2/b + 1/6 x^3/b^2 \right]_0^{2b} \cdot Fb \cdot 1/EJ$$

$$= (-5/2 b + 4/3 b) \cdot Fb \cdot 1/EJ = -7/6 \cdot Fb^2/EJ$$

$$L_{DA}^{xo} = \int_0^{2b} (-1/2 - 3/4 x/b + 1/2 x^2/b^2) \cdot Fb \cdot 1/EJ \, dx = \left[-1/2 x - 3/8 x^2/b + 1/6 x^3/b^2 \right]_0^{2b} \cdot Fb \cdot 1/EJ$$

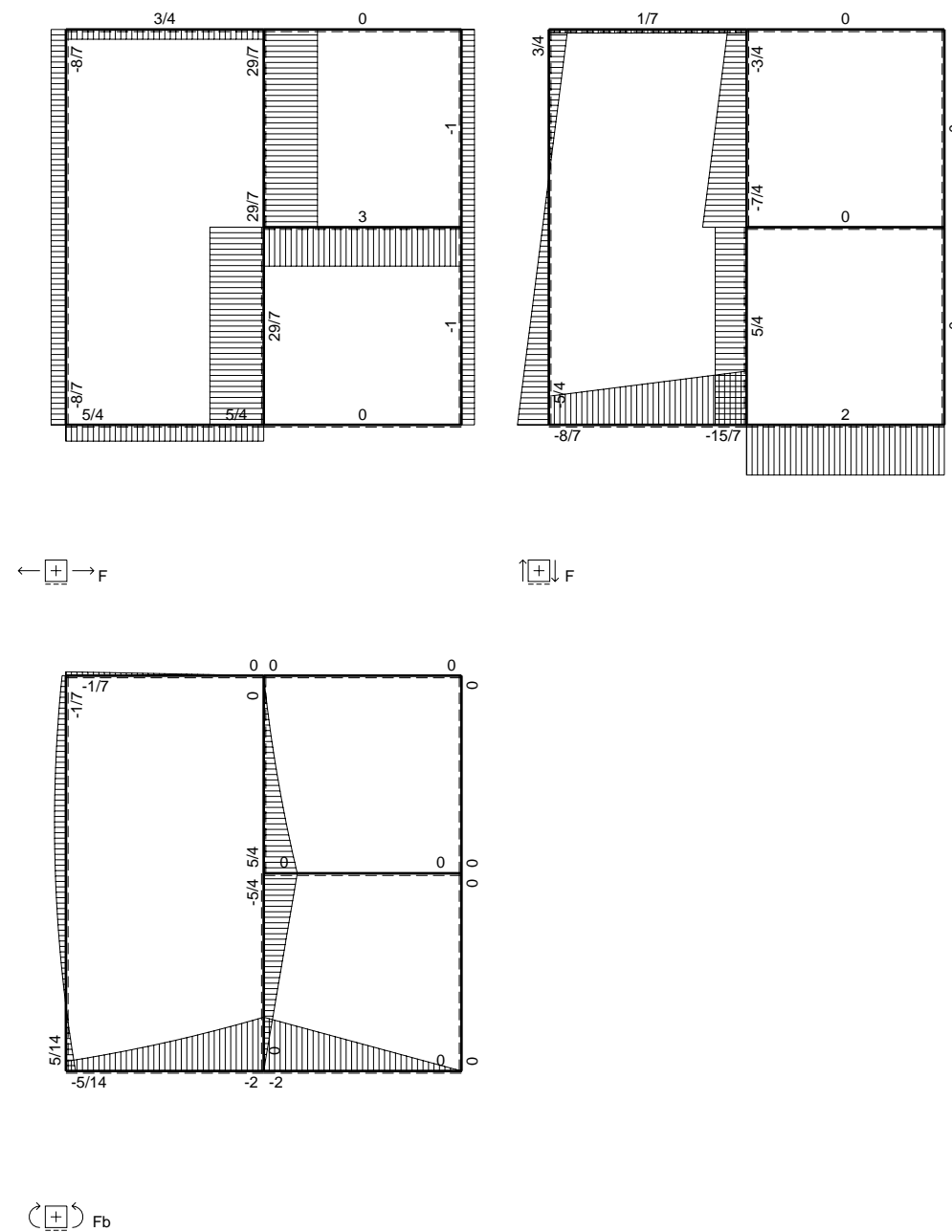
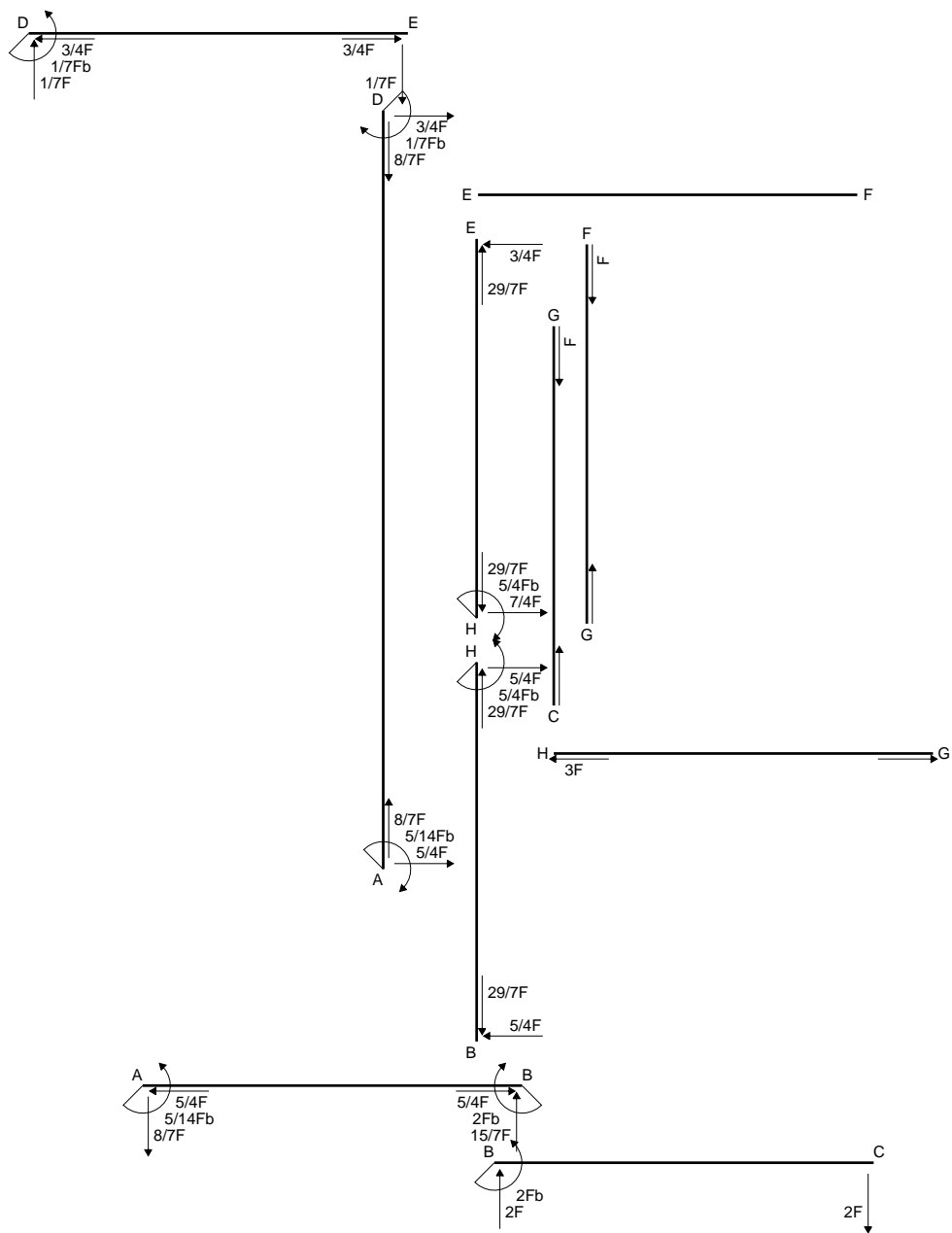
$$= (-b - 3/2 b + 4/3 b) \cdot Fb \cdot 1/EJ = -7/6 \cdot Fb^2/EJ$$

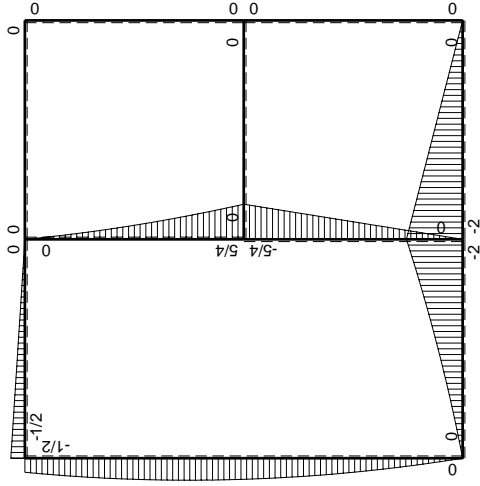
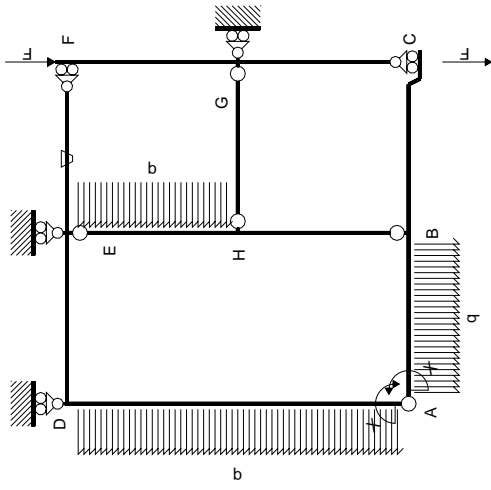
$$L_{DE}^{xo} = \int_0^b (-1/2 + x/b - 1/2 x^2/b^2) \cdot Fb \cdot 1/EJ \, dx = \left[-1/2 x + 1/2 x^2/b - 1/6 x^3/b^2 \right]_0^b \cdot Fb \cdot 1/EJ$$

$$= (-1/2 b + 1/2 b - 1/6 b) \cdot Fb \cdot 1/EJ = -1/6 \cdot Fb^2/EJ$$

$$L_{ED}^{xo} = \int_0^b (-1/2 x^2/b^2) \cdot Fb \cdot 1/EJ \, dx = \left[-1/6 x^3/b^2 \right]_0^b \cdot Fb \cdot 1/EJ$$

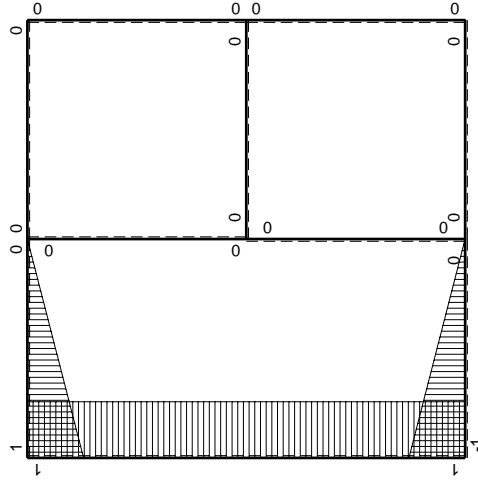
$$= (-1/6 b) \cdot Fb \cdot 1/EJ = -1/6 \cdot Fb^2/EJ$$





Schema di calcolo iperstatico

M_0 flessione da carichi assegnati



M_1 flessione da iperstatica $X=1$

Quadro contributi PLV per iperstatica $X=W_{AB}$

→	$M_x(x)$	$M_o(x)$	θ	$M_x M_o$	$M_x \theta$	$M_x M_x$	$\int M_x(M_o/EJ+\theta)dx$	$\int X M_x M_x/EJdx$
AB b	$-1+x/b$	$-3/2Fx-1/2qx^2$	0	$3/2Fx-Fx^2/b-1/2qx^3/b$	0	$1-2x/b+x^2/b^2$	$(7/24+0)Fb^2/EJ$	$1/3Xb/EJ$
BA b	x/b	$2Fb-5/2Fx+1/2qx^2$	0	$2Fx-5/2Fx^2/b+1/2qx^3/b$	0	x^2/b^2		
BC b	0	$-2Fb+2Fx$	0	0	0	0	0+0	0
CB b	0	$2Fx$	0	0	0	0		
AD 2b	1	$-5/4Fx+1/2qx^2$	0	$-5/4Fx+1/2Fx^2/b$	0	1	$(-7/6+0)Fb^2/EJ$	$2Xb/EJ$
DA 2b	-1	$1/2Fb+3/4Fx-1/2qx^2$	0	$-1/2Fb-3/4Fx+1/2Fx^2/b$	0	1		
DE b	$1-x/b$	$-1/2Fb+1/2Fx$	0	$-1/2Fb+Fx-1/2Fx^2/b$	0	$1-2x/b+x^2/b^2$	$(-1/6+0)Fb^2/EJ$	$1/3Xb/EJ$
ED b	$-x/b$	$1/2Fx$	0	$-1/2Fx^2/b$	0	x^2/b^2		
EF b	0	0	$-Fb/EJ$	0	0	0	0+0	0
FE b	0	0	Fb/EJ	0	0	0		
FG b	0	0	0	0	0	0	0+0	0
GF b	0	0	0	0	0	0		
GC b	0	0	0	0	0	0	0+0	0
CG b	0	0	0	0	0	0		
HG b	0	0	0	0	0	0	0+0	0
GH b	0	0	0	0	0	0		
HB b	0	$-5/4Fb+5/4Fx$	0	0	0	0	0+0	0
BH b	0	$5/4Fx$	0	0	0	0		
HE b	0	$5/4Fb-7/4Fx+1/2qx^2$	0	0	0	0	0+0	0
EH b	0	$-3/4Fx-1/2qx^2$	0	0	0	0		
AB	molla asta $-W_{1AB}(W_{0AB}+XW_{1AB})/k_{AB}$							$1/4Xb/EJ$
	totali						$-25/24Fb^2/EJ$	$35/12Xb/EJ$
	iperstatica $X=W_{AB}$						$5/14Fb$	

Sviluppi di calcolo iperstatica

$$L_{AB}^{xx} = \int_0^b (1 - 2x/b + x^2/b^2) \cdot 1/EJ \, dx + 1 \cdot 1/4 \cdot b/EJ = \left[x - x^2/b + 1/3 x^3/b^2 \right]_0^b \cdot 1/EJ + 1 \cdot 1/4 \cdot b/EJ$$

$$= (b - b + 1/3 b) \cdot 1/EJ + 1 \cdot 1/4 \cdot b/EJ = 7/12 \cdot b/EJ$$

$$L_{BA}^{xx} = \int_0^b (x^2/b^2) \cdot 1/EJ \, dx + 1 \cdot 1/4 \cdot b/EJ = \left[1/3 x^3/b^2 \right]_0^b \cdot 1/EJ + 1 \cdot 1/4 \cdot b/EJ$$

$$= (1/3 b) \cdot 1/EJ + 1 \cdot 1/4 \cdot b/EJ = 7/12 \cdot b/EJ$$

$$L_{AD}^{xx} = \int_0^{2b} (1) \cdot 1/EJ \, dx = \left[x \right]_0^{2b} \cdot 1/EJ$$

$$= (2b) \cdot 1/EJ = 2 \cdot b/EJ$$

$$L_{DA}^{xx} = \int_0^{2b} (1) \cdot 1/EJ \, dx = \left[x \right]_0^{2b} \cdot 1/EJ$$

$$= (2b) \cdot 1/EJ = 2 \cdot b/EJ$$

$$L_{DE}^{xx} = \int_0^b (1 - 2x/b + x^2/b^2) \cdot 1/EJ \, dx = \left[x - x^2/b + 1/3 x^3/b^2 \right]_0^b \cdot 1/EJ$$

$$= (b - b + 1/3 b) \cdot 1/EJ = 1/3 \cdot b/EJ$$

$$L_{ED}^{xx} = \int_0^b (x^2/b^2) \cdot 1/EJ \, dx = \left[1/3 x^3/b^2 \right]_0^b \cdot 1/EJ$$

$$= (1/3 b) \cdot 1/EJ = 1/3 \cdot b/EJ$$

$$L_{AB}^{xo} = \int_0^b (3/2 x/b - x^2/b^2 - 1/2 x^3/b^3) \cdot Fb \cdot 1/EJ \, dx + 1 \cdot 0 \cdot 1/4 \cdot Fb^2/EJ$$

$$= \left[3/4 x^2/b - 1/3 x^3/b^2 - 1/8 x^4/b^3 \right]_0^b \cdot Fb \cdot 1/EJ + 1 \cdot 0 \cdot 1/4 \cdot Fb^2/EJ$$

$$= (3/4 b - 1/3 b - 1/8 b) \cdot Fb \cdot 1/EJ + 1 \cdot 0 \cdot 1/4 \cdot Fb^2/EJ = 7/24 \cdot Fb^2/EJ$$

$$L_{BA}^{xo} = \int_0^b (2x/b - 5/2 x^2/b^2 + 1/2 x^3/b^3) \cdot Fb \cdot 1/EJ \, dx + 1 \cdot 0 \cdot 1/4 \cdot Fb^2/EJ$$

$$= \left[x^2/b - 5/6 x^3/b^2 + 1/8 x^4/b^3 \right]_0^b \cdot Fb \cdot 1/EJ + 1 \cdot 0 \cdot 1/4 \cdot Fb^2/EJ$$

$$= (b - 5/6 b + 1/8 b) \cdot Fb \cdot 1/EJ + 1 \cdot 0 \cdot 1/4 \cdot Fb^2/EJ = 7/24 \cdot Fb^2/EJ$$

$$L_{AD}^{xo} = \int_0^{2b} (-5/4 x/b + 1/2 x^2/b^2) \cdot Fb \cdot 1/EJ \, dx = \left[-5/8 x^2/b + 1/6 x^3/b^2 \right]_0^{2b} \cdot Fb \cdot 1/EJ$$

$$= (-5/2 b + 4/3 b) \cdot Fb \cdot 1/EJ = -7/6 \cdot Fb^2/EJ$$

$$L_{DA}^{xo} = \int_0^{2b} (-1/2 - 3/4 x/b + 1/2 x^2/b^2) \cdot Fb \cdot 1/EJ \, dx = \left[-1/2 x - 3/8 x^2/b + 1/6 x^3/b^2 \right]_0^{2b} \cdot Fb \cdot 1/EJ$$

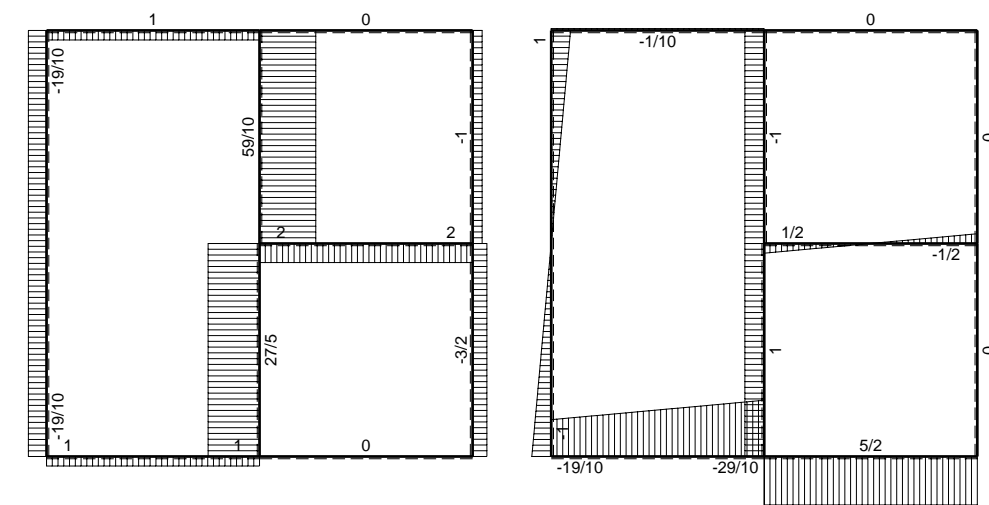
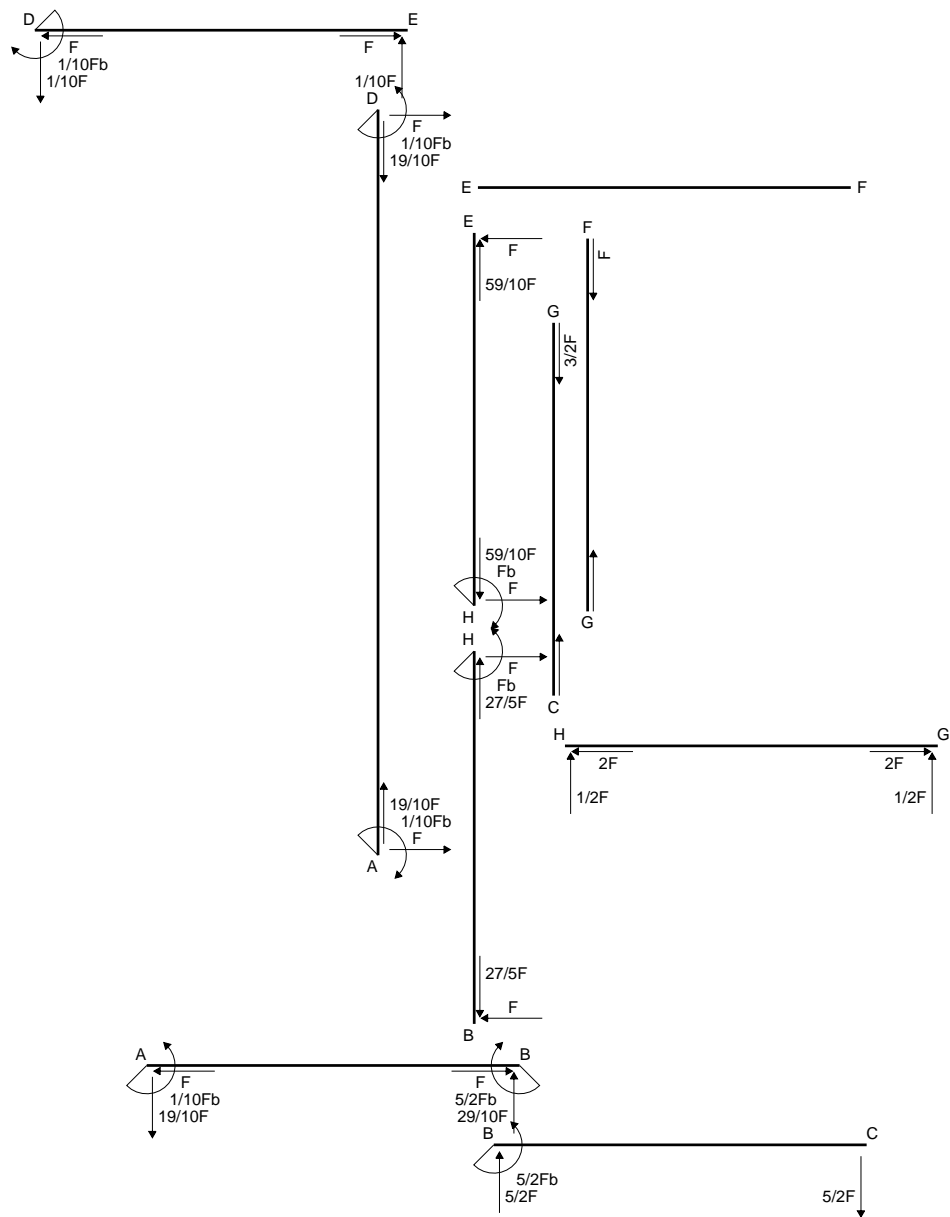
$$= (-b - 3/2 b + 4/3 b) \cdot Fb \cdot 1/EJ = -7/6 \cdot Fb^2/EJ$$

$$L_{DE}^{xo} = \int_0^b (-1/2 + x/b - 1/2 x^2/b^2) \cdot Fb \cdot 1/EJ \, dx = \left[-1/2 x + 1/2 x^2/b - 1/6 x^3/b^2 \right]_0^b \cdot Fb \cdot 1/EJ$$

$$= (-1/2 b + 1/2 b - 1/6 b) \cdot Fb \cdot 1/EJ = -1/6 \cdot Fb^2/EJ$$

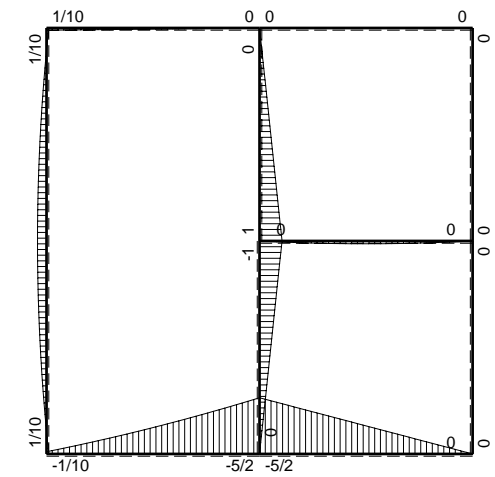
$$L_{ED}^{xo} = \int_0^b (-1/2 x^2/b^2) \cdot Fb \cdot 1/EJ \, dx = \left[-1/6 x^3/b^2 \right]_0^b \cdot Fb \cdot 1/EJ$$

$$= (-1/6 b) \cdot Fb \cdot 1/EJ = -1/6 \cdot Fb^2/EJ$$

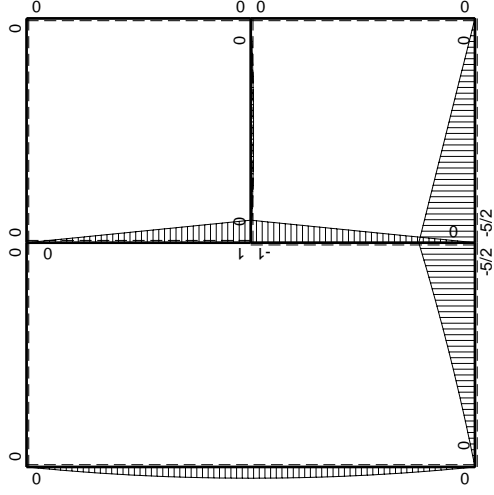
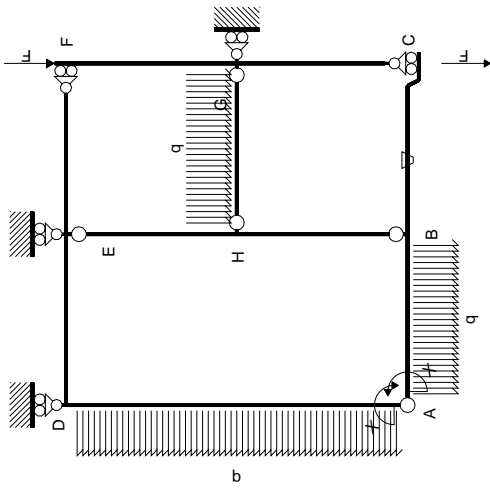


← ⊕ → F

↑ ⊕ ↓ F

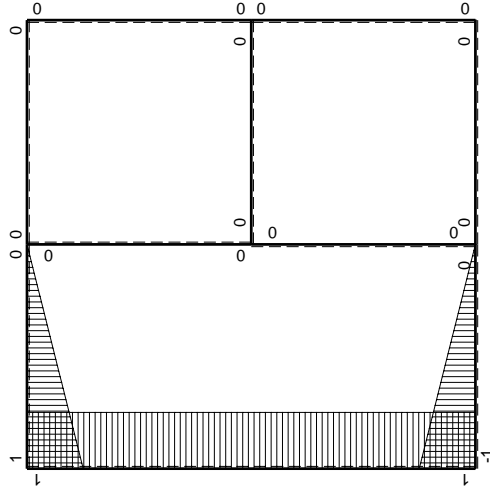


⊕ ⊖ Fb



Schema di calcolo iperstatico

M_0 flessione da carichi assegnati



M_x flessione da iperstatica $X=1$

Quadro contributi PLV per iperstatica $X=W_{AB}$

→	$M_x(x)$	$M_o(x)$	θ	$M_x M_o$	$M_x \theta$	$M_x M_x$	$\int M_x(M_o/EJ+\theta)dx$	$\int X M_x M_x/EJ dx$	
AB b	$-1+x/b$	$-2Fx-1/2qx^2$	0	$2Fx-3/2Fx^2/b-1/2qx^3/b$	0	$1-2x/b+x^2/b^2$	$(3/8+0)Fb^2/EJ$	$1/3Xb/EJ$	
BA b	x/b	$5/2Fb-3Fx+1/2qx^2$	0	$5/2Fx-3Fx^2/b+1/2qx^3/b$	0	x^2/b^2			
BC b	0	$-5/2Fb+5/2Fx$	$-Fb/EJ$	0	0	0	0+0	0	
CB b	0	$5/2Fx$	Fb/EJ	0	0	0			
AD 2b	1	$-Fx+1/2qx^2$	0	$-Fx+1/2Fx^2/b$	0	1	$(-2/3+0)Fb^2/EJ$	$2Xb/EJ$	
DA 2b	-1	$Fx-1/2qx^2$	0	$-Fx+1/2Fx^2/b$	0	1			
DE b	$1-x/b$	0	0	0	0	$1-2x/b+x^2/b^2$	0+0	$1/3Xb/EJ$	
ED b	$-x/b$	0	0	0	0	x^2/b^2			
EF b	0	0	0	0	0	0	0+0	0	
FE b	0	0	0	0	0	0			
FG b	0	0	0	0	0	0	0+0	0	
GF b	0	0	0	0	0	0			
GC b	0	0	0	0	0	0	0+0	0	
CG b	0	0	0	0	0	0			
HG b	0	$1/2Fx-1/2qx^2$	0	0	0	0	0+0	0	
GH b	0	$-1/2Fx+1/2qx^2$	0	0	0	0			
HB b	0	$-Fb+Fx$	0	0	0	0	0+0	0	
BH b	0	Fx	0	0	0	0			
HE b	0	$Fb-Fx$	0	0	0	0	0+0	0	
EH b	0	$-Fx$	0	0	0	0			
AB	molla asta $-W_{1AB}(W_{0AB}+XW_{1AB})/k_{AB}$								$1/4Xb/EJ$
	totali							$-7/24Fb^2/EJ$	$35/12Xb/EJ$
	iperstatica $X=W_{AB}$							$1/10Fb$	

Sviluppi di calcolo iperstatica

$$L_{AB}^{xx} = \int_0^b (1 - 2x/b + x^2/b^2) \cdot 1/EJ \, dx + 1 \cdot 1/4 \cdot b/EJ = \left[x - x^2/b + 1/3 x^3/b^2 \right]_0^b \cdot 1/EJ + 1 \cdot 1/4 \cdot b/EJ$$

$$= (b - b + 1/3 b) \cdot 1/EJ + 1 \cdot 1/4 \cdot b/EJ = 7/12 \cdot b/EJ$$

$$L_{BA}^{xx} = \int_0^b (x^2/b^2) \cdot 1/EJ \, dx + 1 \cdot 1/4 \cdot b/EJ = \left[1/3 x^3/b^2 \right]_0^b \cdot 1/EJ + 1 \cdot 1/4 \cdot b/EJ$$

$$= (1/3 b) \cdot 1/EJ + 1 \cdot 1/4 \cdot b/EJ = 7/12 \cdot b/EJ$$

$$L_{AD}^{xx} = \int_0^{2b} (1) \cdot 1/EJ \, dx = \left[x \right]_0^{2b} \cdot 1/EJ$$

$$= (2b) \cdot 1/EJ = 2 \cdot b/EJ$$

$$L_{DA}^{xx} = \int_0^{2b} (1) \cdot 1/EJ \, dx = \left[x \right]_0^{2b} \cdot 1/EJ$$

$$= (2b) \cdot 1/EJ = 2 \cdot b/EJ$$

$$L_{DE}^{xx} = \int_0^b (1 - 2x/b + x^2/b^2) \cdot 1/EJ \, dx = \left[x - x^2/b + 1/3 x^3/b^2 \right]_0^b \cdot 1/EJ$$

$$= (b - b + 1/3 b) \cdot 1/EJ = 1/3 \cdot b/EJ$$

$$L_{ED}^{xx} = \int_0^b (x^2/b^2) \cdot 1/EJ \, dx = \left[1/3 x^3/b^2 \right]_0^b \cdot 1/EJ$$

$$= (1/3 b) \cdot 1/EJ = 1/3 \cdot b/EJ$$

$$L_{AB}^{xo} = \int_0^b (2x/b - 3/2 x^2/b^2 - 1/2 x^3/b^3) \cdot Fb \cdot 1/EJ \, dx + 1 \cdot 0 \cdot 1/4 \cdot Fb^2/EJ$$

$$= \left[x^2/b - 1/2 x^3/b^2 - 1/8 x^4/b^3 \right]_0^b \cdot Fb \cdot 1/EJ + 1 \cdot 0 \cdot 1/4 \cdot Fb^2/EJ$$

$$= (b - 1/2 b - 1/8 b) \cdot Fb \cdot 1/EJ + 1 \cdot 0 \cdot 1/4 \cdot Fb^2/EJ = 3/8 \cdot Fb^2/EJ$$

$$L_{BA}^{xo} = \int_0^b (5/2 x/b - 3 x^2/b^2 + 1/2 x^3/b^3) \cdot Fb \cdot 1/EJ \, dx + 1 \cdot 0 \cdot 1/4 \cdot Fb^2/EJ$$

$$= \left[5/4 x^2/b - x^3/b^2 + 1/8 x^4/b^3 \right]_0^b \cdot Fb \cdot 1/EJ + 1 \cdot 0 \cdot 1/4 \cdot Fb^2/EJ$$

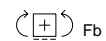
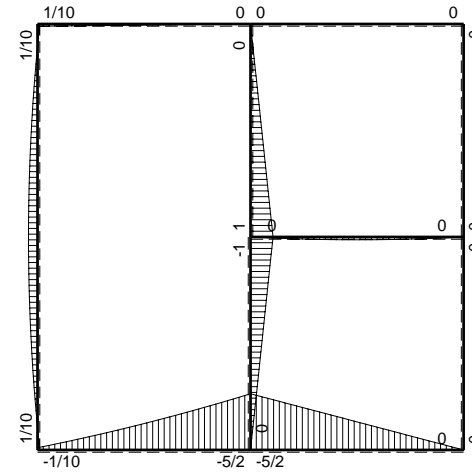
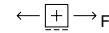
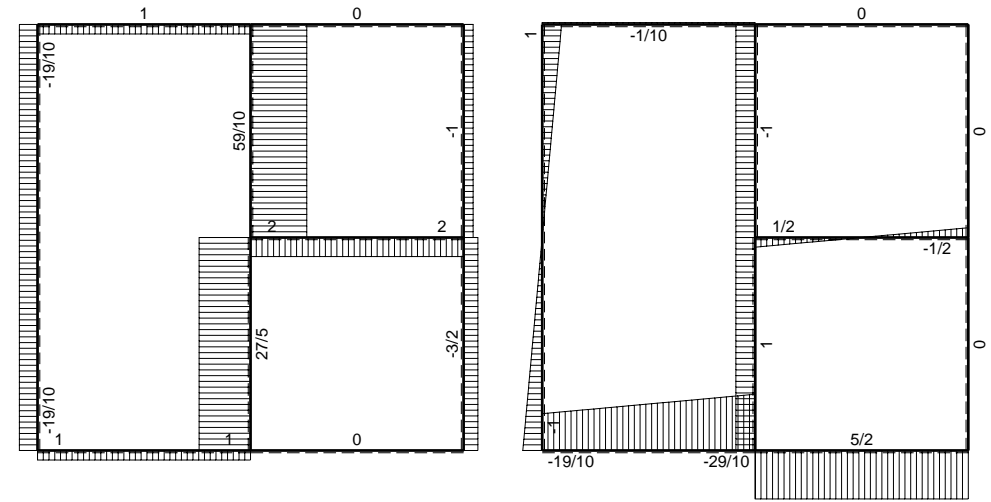
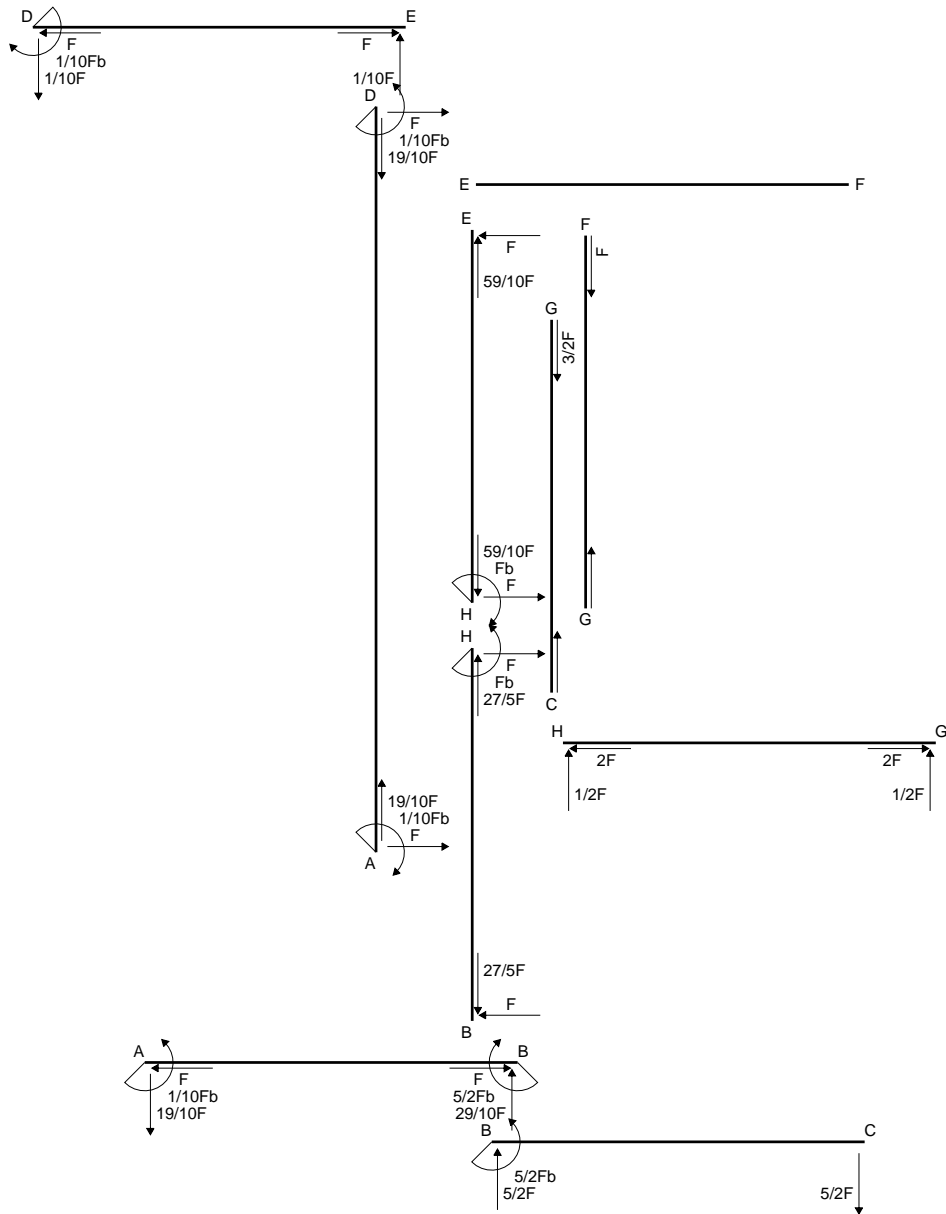
$$= (5/4 b - b + 1/8 b) \cdot Fb \cdot 1/EJ + 1 \cdot 0 \cdot 1/4 \cdot Fb^2/EJ = 3/8 \cdot Fb^2/EJ$$

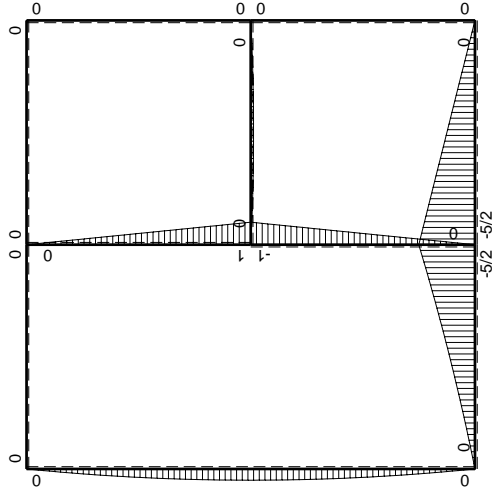
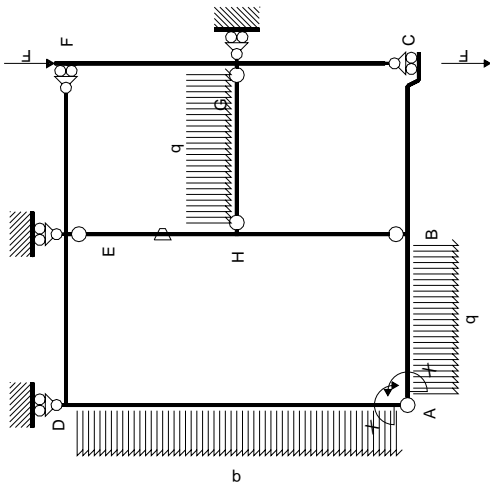
$$L_{AD}^{xo} = \int_0^{2b} (-x/b + 1/2 x^2/b^2) \cdot Fb \cdot 1/EJ \, dx = \left[-1/2 x^2/b + 1/6 x^3/b^2 \right]_0^{2b} \cdot Fb \cdot 1/EJ$$

$$= (-2b + 4/3 b) \cdot Fb \cdot 1/EJ = -2/3 \cdot Fb^2/EJ$$

$$L_{DA}^{xo} = \int_0^{2b} (-x/b + 1/2 x^2/b^2) \cdot Fb \cdot 1/EJ \, dx = \left[-1/2 x^2/b + 1/6 x^3/b^2 \right]_0^{2b} \cdot Fb \cdot 1/EJ$$

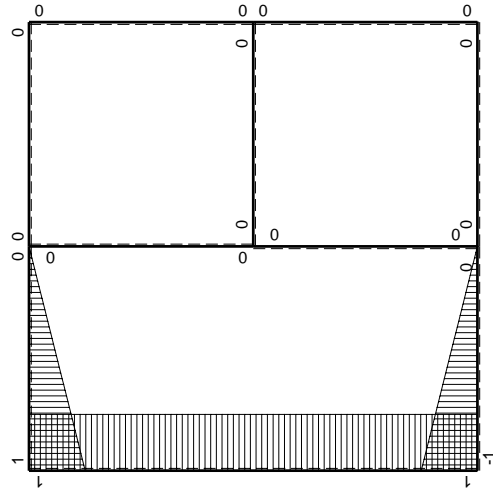
$$= (-2b + 4/3 b) \cdot Fb \cdot 1/EJ = -2/3 \cdot Fb^2/EJ$$





Schema di calcolo iperstatico

M_0 flessione da carichi assegnati



M_x flessione da iperstatica $X=1$

Quadro contributi PLV per iperstatica $X=W_{AB}$

→	$M_x(x)$	$M_o(x)$	θ	$M_x M_o$	$M_x \theta$	$M_x M_x$	$\int M_x(M_o/EJ+\theta)dx$	$\int X M_x M_x/EJ dx$	
AB b	$-1+x/b$	$-2Fx-1/2qx^2$	0	$2Fx-3/2Fx^2/b-1/2qx^3/b$	0	$1-2x/b+x^2/b^2$	$(3/8+0)Fb^2/EJ$	$1/3Xb/EJ$	
BA b	x/b	$5/2Fb-3Fx+1/2qx^2$	0	$5/2Fx-3Fx^2/b+1/2qx^3/b$	0	x^2/b^2			
BC b	0	$-5/2Fb+5/2Fx$	0	0	0	0	0+0	0	
CB b	0	$5/2Fx$	0	0	0	0			
AD 2b	1	$-Fx+1/2qx^2$	0	$-Fx+1/2Fx^2/b$	0	1	$(-2/3+0)Fb^2/EJ$	$2Xb/EJ$	
DA 2b	-1	$Fx-1/2qx^2$	0	$-Fx+1/2Fx^2/b$	0	1			
DE b	$1-x/b$	0	0	0	0	$1-2x/b+x^2/b^2$	0+0	$1/3Xb/EJ$	
ED b	$-x/b$	0	0	0	0	x^2/b^2			
EF b	0	0	0	0	0	0	0+0	0	
FE b	0	0	0	0	0	0			
FG b	0	0	0	0	0	0	0+0	0	
GF b	0	0	0	0	0	0			
GC b	0	0	0	0	0	0	0+0	0	
CG b	0	0	0	0	0	0			
HG b	0	$1/2Fx-1/2qx^2$	0	0	0	0	0+0	0	
GH b	0	$-1/2Fx+1/2qx^2$	0	0	0	0			
HB b	0	$-Fb+Fx$	0	0	0	0	0+0	0	
BH b	0	Fx	0	0	0	0			
HE b	0	$Fb-Fx$	$-Fb/EJ$	0	0	0	0+0	0	
EH b	0	$-Fx$	Fb/EJ	0	0	0			
AB	molla asta $-W_{1AB}(W_{0AB}+XW_{1AB})/k_{AB}$								$1/4Xb/EJ$
	totali							$-7/24Fb^2/EJ$	$35/12Xb/EJ$
	iperstatica $X=W_{AB}$							$1/10Fb$	

Sviluppi di calcolo iperstatica

$$L_{AB}^{xx} = \int_0^b (1 - 2x/b + x^2/b^2) \cdot 1/EJ \, dx + 1 \cdot 1/4 \cdot b/EJ = \left[x - x^2/b + 1/3 x^3/b^2 \right]_0^b \cdot 1/EJ + 1 \cdot 1/4 \cdot b/EJ$$

$$= (b - b + 1/3 b) \cdot 1/EJ + 1 \cdot 1/4 \cdot b/EJ = 7/12 \cdot b/EJ$$

$$L_{BA}^{xx} = \int_0^b (x^2/b^2) \cdot 1/EJ \, dx + 1 \cdot 1/4 \cdot b/EJ = \left[1/3 x^3/b^2 \right]_0^b \cdot 1/EJ + 1 \cdot 1/4 \cdot b/EJ$$

$$= (1/3 b) \cdot 1/EJ + 1 \cdot 1/4 \cdot b/EJ = 7/12 \cdot b/EJ$$

$$L_{AD}^{xx} = \int_0^{2b} (1) \cdot 1/EJ \, dx = \left[x \right]_0^{2b} \cdot 1/EJ$$

$$= (2b) \cdot 1/EJ = 2 \cdot b/EJ$$

$$L_{DA}^{xx} = \int_0^{2b} (1) \cdot 1/EJ \, dx = \left[x \right]_0^{2b} \cdot 1/EJ$$

$$= (2b) \cdot 1/EJ = 2 \cdot b/EJ$$

$$L_{DE}^{xx} = \int_0^b (1 - 2x/b + x^2/b^2) \cdot 1/EJ \, dx = \left[x - x^2/b + 1/3 x^3/b^2 \right]_0^b \cdot 1/EJ$$

$$= (b - b + 1/3 b) \cdot 1/EJ = 1/3 \cdot b/EJ$$

$$L_{ED}^{xx} = \int_0^b (x^2/b^2) \cdot 1/EJ \, dx = \left[1/3 x^3/b^2 \right]_0^b \cdot 1/EJ$$

$$= (1/3 b) \cdot 1/EJ = 1/3 \cdot b/EJ$$

$$L_{AB}^{xo} = \int_0^b (2x/b - 3/2 x^2/b^2 - 1/2 x^3/b^3) \cdot Fb \cdot 1/EJ \, dx + 1 \cdot 0 \cdot 1/4 \cdot Fb^2/EJ$$

$$= \left[x^2/b - 1/2 x^3/b^2 - 1/8 x^4/b^3 \right]_0^b \cdot Fb \cdot 1/EJ + 1 \cdot 0 \cdot 1/4 \cdot Fb^2/EJ$$

$$= (b - 1/2 b - 1/8 b) \cdot Fb \cdot 1/EJ + 1 \cdot 0 \cdot 1/4 \cdot Fb^2/EJ = 3/8 \cdot Fb^2/EJ$$

$$L_{BA}^{xo} = \int_0^b (5/2 x/b - 3 x^2/b^2 + 1/2 x^3/b^3) \cdot Fb \cdot 1/EJ \, dx + 1 \cdot 0 \cdot 1/4 \cdot Fb^2/EJ$$

$$= \left[5/4 x^2/b - x^3/b^2 + 1/8 x^4/b^3 \right]_0^b \cdot Fb \cdot 1/EJ + 1 \cdot 0 \cdot 1/4 \cdot Fb^2/EJ$$

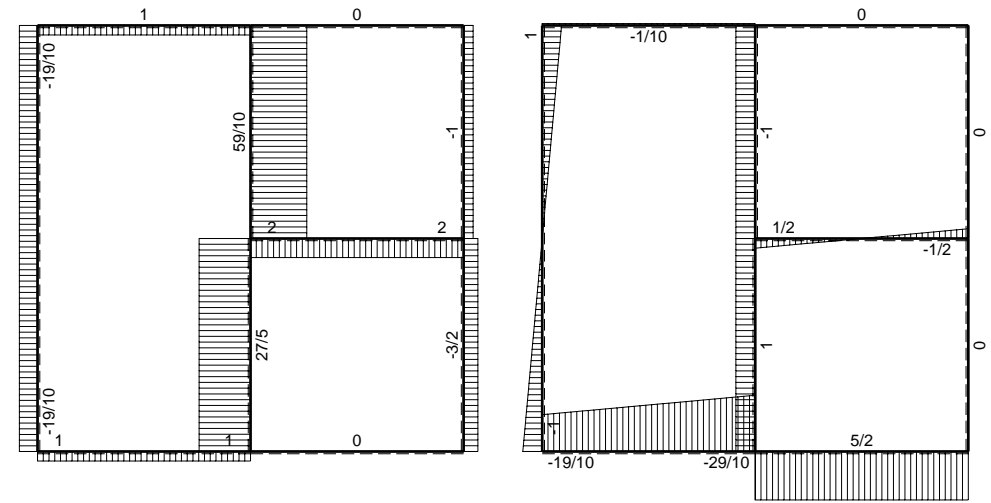
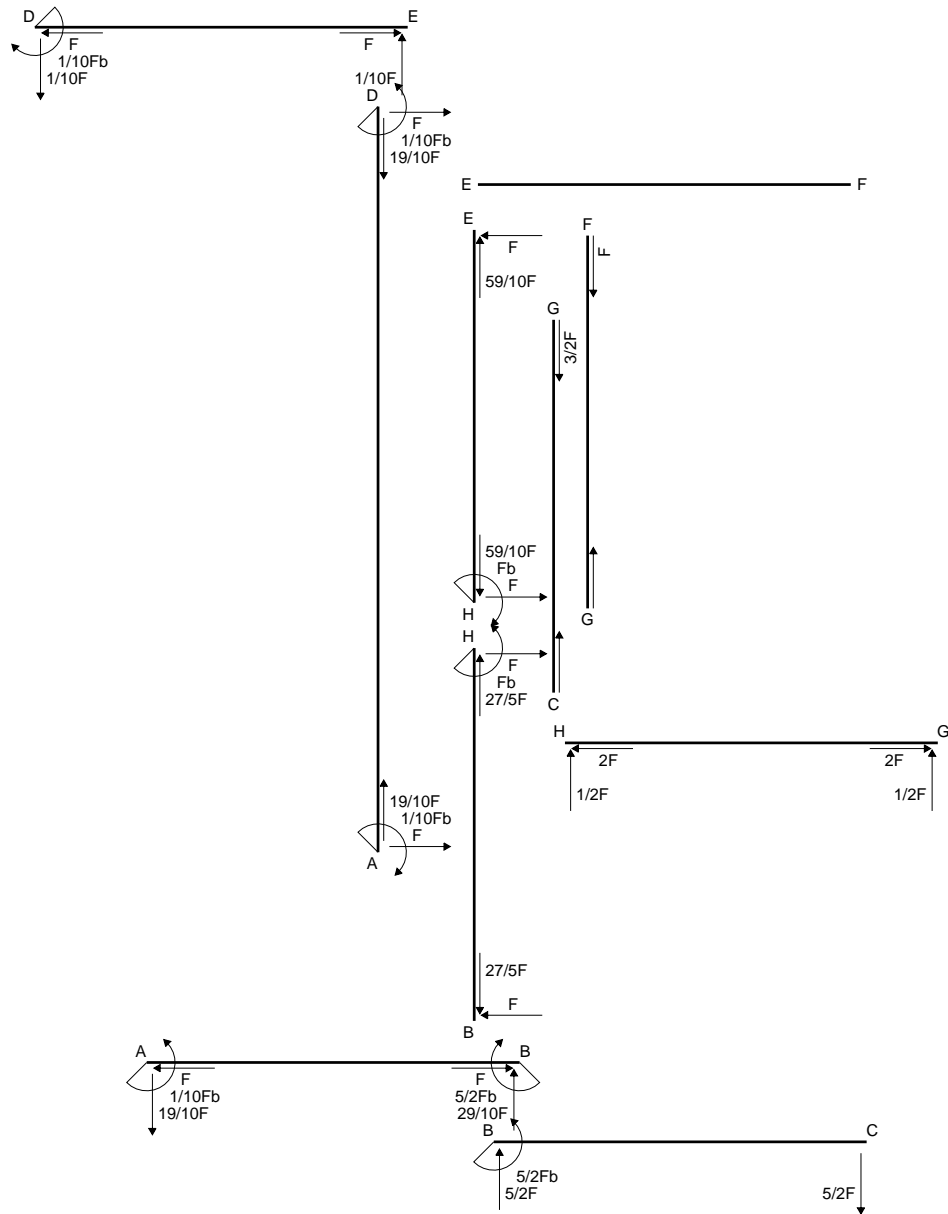
$$= (5/4 b - b + 1/8 b) \cdot Fb \cdot 1/EJ + 1 \cdot 0 \cdot 1/4 \cdot Fb^2/EJ = 3/8 \cdot Fb^2/EJ$$

$$L_{AD}^{xo} = \int_0^{2b} (-x/b + 1/2 x^2/b^2) \cdot Fb \cdot 1/EJ \, dx = \left[-1/2 x^2/b + 1/6 x^3/b^2 \right]_0^{2b} \cdot Fb \cdot 1/EJ$$

$$= (-2b + 4/3 b) \cdot Fb \cdot 1/EJ = -2/3 \cdot Fb^2/EJ$$

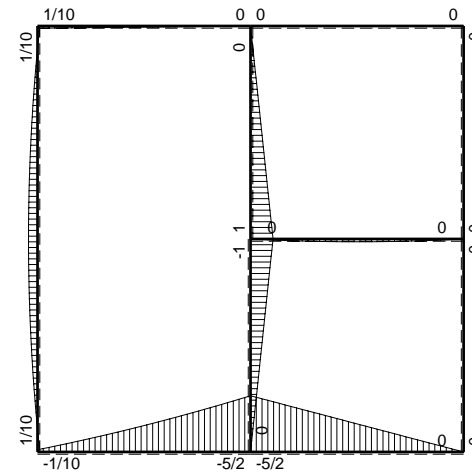
$$L_{DA}^{xo} = \int_0^{2b} (-x/b + 1/2 x^2/b^2) \cdot Fb \cdot 1/EJ \, dx = \left[-1/2 x^2/b + 1/6 x^3/b^2 \right]_0^{2b} \cdot Fb \cdot 1/EJ$$

$$= (-2b + 4/3 b) \cdot Fb \cdot 1/EJ = -2/3 \cdot Fb^2/EJ$$

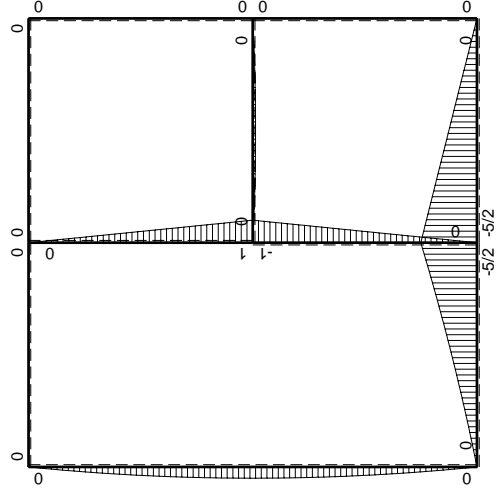
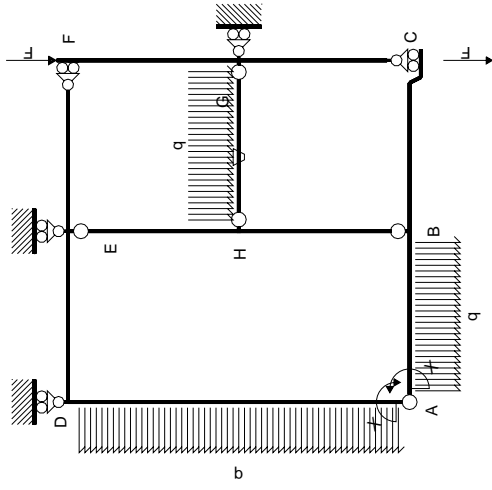


← ⊕ → F

↑ ⊕ ↓ F

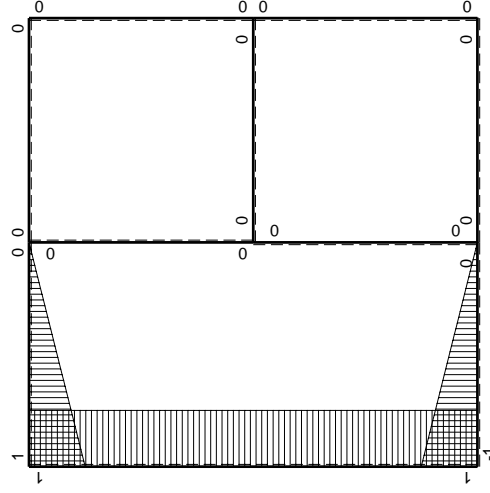


⊕ ⊖ F_b



Schema di calcolo iperstatico

M_0 flessione da carichi assegnati



M_x flessione da iperstatica $X=1$

Quadro contributi PLV per iperstatica $X=W_{AB}$

→	$M_x(x)$	$M_o(x)$	θ	$M_x M_o$	$M_x \theta$	$M_x M_x$	$\int M_x(M_o/EJ+\theta)dx$	$\int X M_x M_x/EJ dx$	
AB b	$-1+x/b$	$-2Fx-1/2qx^2$	0	$2Fx-3/2Fx^2/b-1/2qx^3/b$	0	$1-2x/b+x^2/b^2$	$(3/8+0)Fb^2/EJ$	$1/3Xb/EJ$	
BA b	x/b	$5/2Fb-3Fx+1/2qx^2$	0	$5/2Fx-3Fx^2/b+1/2qx^3/b$	0	x^2/b^2			
BC b	0	$-5/2Fb+5/2Fx$	0	0	0	0	0+0	0	
CB b	0	$5/2Fx$	0	0	0	0			
AD 2b	1	$-Fx+1/2qx^2$	0	$-Fx+1/2Fx^2/b$	0	1	$(-2/3+0)Fb^2/EJ$	$2Xb/EJ$	
DA 2b	-1	$Fx-1/2qx^2$	0	$-Fx+1/2Fx^2/b$	0	1			
DE b	$1-x/b$	0	0	0	0	$1-2x/b+x^2/b^2$	0+0	$1/3Xb/EJ$	
ED b	$-x/b$	0	0	0	0	x^2/b^2			
EF b	0	0	0	0	0	0	0+0	0	
FE b	0	0	0	0	0	0			
FG b	0	0	0	0	0	0	0+0	0	
GF b	0	0	0	0	0	0			
GC b	0	0	0	0	0	0	0+0	0	
CG b	0	0	0	0	0	0			
HG b	0	$1/2Fx-1/2qx^2$	$-Fb/EJ$	0	0	0	0+0	0	
GH b	0	$-1/2Fx+1/2qx^2$	Fb/EJ	0	0	0			
HB b	0	$-Fb+Fx$	0	0	0	0	0+0	0	
BH b	0	Fx	0	0	0	0			
HE b	0	$Fb-Fx$	0	0	0	0	0+0	0	
EH b	0	$-Fx$	0	0	0	0			
AB	molla asta $-W_{1AB}(W_{0AB}+XW_{1AB})/k_{AB}$								$1/4Xb/EJ$
	totali							$-7/24Fb^2/EJ$	$35/12Xb/EJ$
	iperstatica $X=W_{AB}$							$1/10Fb$	

Sviluppi di calcolo iperstatica

$$L_{AB}^{xx} = \int_0^b (1 - 2x/b + x^2/b^2) \cdot 1/EJ \, dx + 1 \cdot 1/4 \cdot b/EJ = \left[x - x^2/b + 1/3 x^3/b^2 \right]_0^b \cdot 1/EJ + 1 \cdot 1/4 \cdot b/EJ$$

$$= (b - b + 1/3 b) \cdot 1/EJ + 1 \cdot 1/4 \cdot b/EJ = 7/12 \cdot b/EJ$$

$$L_{BA}^{xx} = \int_0^b (x^2/b^2) \cdot 1/EJ \, dx + 1 \cdot 1/4 \cdot b/EJ = \left[1/3 x^3/b^2 \right]_0^b \cdot 1/EJ + 1 \cdot 1/4 \cdot b/EJ$$

$$= (1/3 b) \cdot 1/EJ + 1 \cdot 1/4 \cdot b/EJ = 7/12 \cdot b/EJ$$

$$L_{AD}^{xx} = \int_0^{2b} (1) \cdot 1/EJ \, dx = \left[x \right]_0^{2b} \cdot 1/EJ$$

$$= (2b) \cdot 1/EJ = 2 \cdot b/EJ$$

$$L_{DA}^{xx} = \int_0^{2b} (1) \cdot 1/EJ \, dx = \left[x \right]_0^{2b} \cdot 1/EJ$$

$$= (2b) \cdot 1/EJ = 2 \cdot b/EJ$$

$$L_{DE}^{xx} = \int_0^b (1 - 2x/b + x^2/b^2) \cdot 1/EJ \, dx = \left[x - x^2/b + 1/3 x^3/b^2 \right]_0^b \cdot 1/EJ$$

$$= (b - b + 1/3 b) \cdot 1/EJ = 1/3 \cdot b/EJ$$

$$L_{ED}^{xx} = \int_0^b (x^2/b^2) \cdot 1/EJ \, dx = \left[1/3 x^3/b^2 \right]_0^b \cdot 1/EJ$$

$$= (1/3 b) \cdot 1/EJ = 1/3 \cdot b/EJ$$

$$L_{AB}^{xo} = \int_0^b (2x/b - 3/2 x^2/b^2 - 1/2 x^3/b^3) \cdot Fb \cdot 1/EJ \, dx + 1 \cdot 0 \cdot 1/4 \cdot Fb^2/EJ$$

$$= \left[x^2/b - 1/2 x^3/b^2 - 1/8 x^4/b^3 \right]_0^b \cdot Fb \cdot 1/EJ + 1 \cdot 0 \cdot 1/4 \cdot Fb^2/EJ$$

$$= (b - 1/2 b - 1/8 b) \cdot Fb \cdot 1/EJ + 1 \cdot 0 \cdot 1/4 \cdot Fb^2/EJ = 3/8 \cdot Fb^2/EJ$$

$$L_{BA}^{xo} = \int_0^b (5/2 x/b - 3 x^2/b^2 + 1/2 x^3/b^3) \cdot Fb \cdot 1/EJ \, dx + 1 \cdot 0 \cdot 1/4 \cdot Fb^2/EJ$$

$$= \left[5/4 x^2/b - x^3/b^2 + 1/8 x^4/b^3 \right]_0^b \cdot Fb \cdot 1/EJ + 1 \cdot 0 \cdot 1/4 \cdot Fb^2/EJ$$

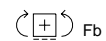
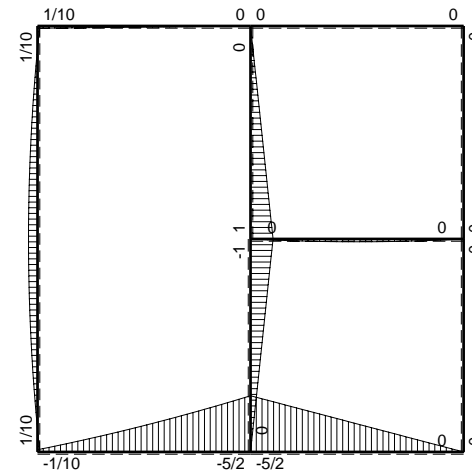
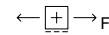
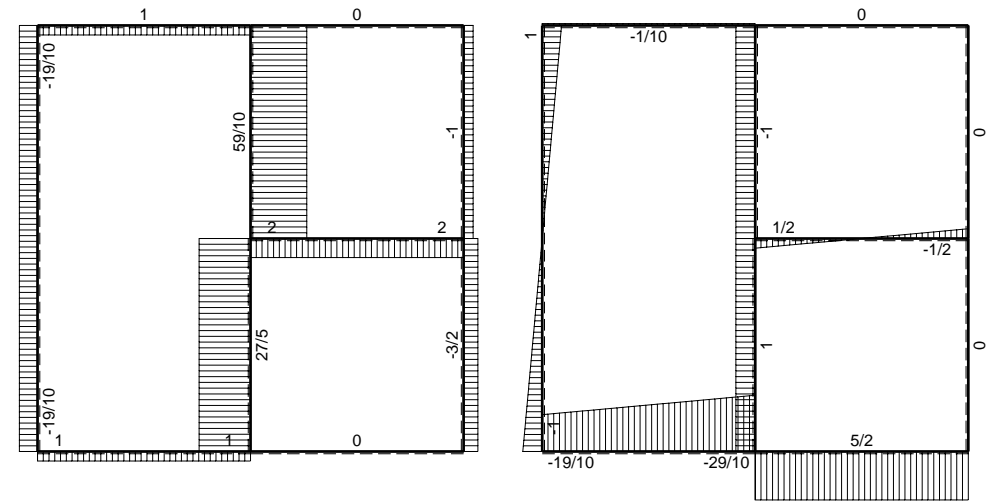
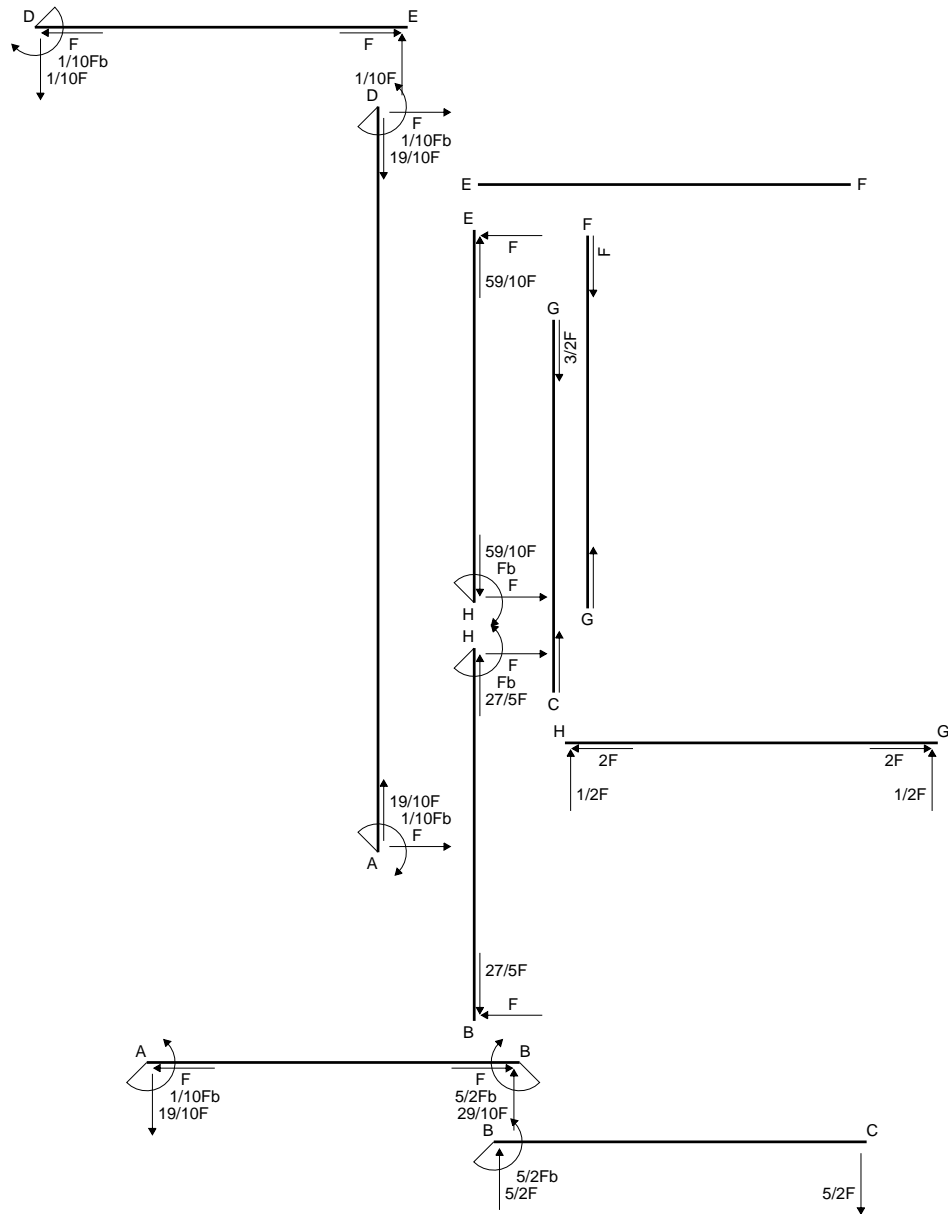
$$= (5/4 b - b + 1/8 b) \cdot Fb \cdot 1/EJ + 1 \cdot 0 \cdot 1/4 \cdot Fb^2/EJ = 3/8 \cdot Fb^2/EJ$$

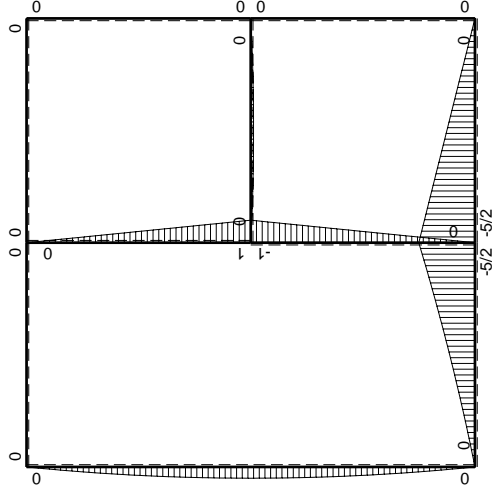
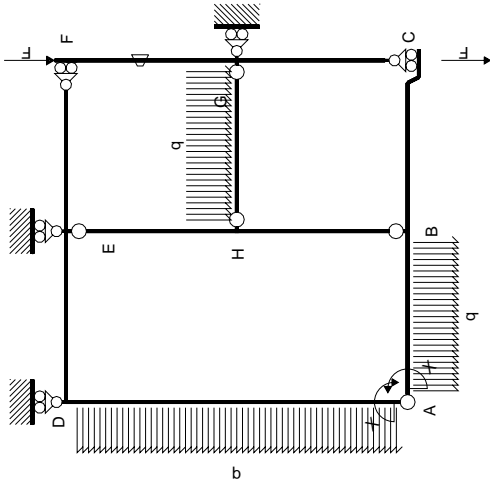
$$L_{AD}^{xo} = \int_0^{2b} (-x/b + 1/2 x^2/b^2) \cdot Fb \cdot 1/EJ \, dx = \left[-1/2 x^2/b + 1/6 x^3/b^2 \right]_0^{2b} \cdot Fb \cdot 1/EJ$$

$$= (-2b + 4/3 b) \cdot Fb \cdot 1/EJ = -2/3 \cdot Fb^2/EJ$$

$$L_{DA}^{xo} = \int_0^{2b} (-x/b + 1/2 x^2/b^2) \cdot Fb \cdot 1/EJ \, dx = \left[-1/2 x^2/b + 1/6 x^3/b^2 \right]_0^{2b} \cdot Fb \cdot 1/EJ$$

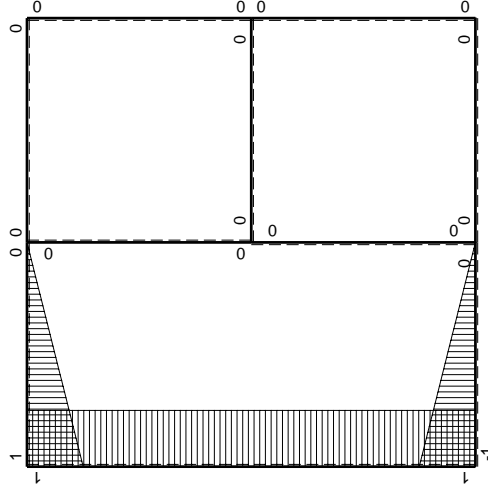
$$= (-2b + 4/3 b) \cdot Fb \cdot 1/EJ = -2/3 \cdot Fb^2/EJ$$





Schema di calcolo iperstatico

M_0 flessione da carichi assegnati



M_x flessione da iperstatica $X=1$

Quadro contributi PLV per iperstatica $X=W_{AB}$

→	$M_x(x)$	$M_o(x)$	θ	$M_x M_o$	$M_x \theta$	$M_x M_x$	$\int M_x(M_o/EJ+\theta)dx$	$\int X M_x M_x/EJ dx$	
AB b	$-1+x/b$	$-2Fx-1/2qx^2$	0	$2Fx-3/2Fx^2/b-1/2qx^3/b$	0	$1-2x/b+x^2/b^2$	$(3/8+0)Fb^2/EJ$	$1/3Xb/EJ$	
BA b	x/b	$5/2Fb-3Fx+1/2qx^2$	0	$5/2Fx-3Fx^2/b+1/2qx^3/b$	0	x^2/b^2			
BC b	0	$-5/2Fb+5/2Fx$	0	0	0	0	0+0	0	
CB b	0	$5/2Fx$	0	0	0	0			
AD 2b	1	$-Fx+1/2qx^2$	0	$-Fx+1/2Fx^2/b$	0	1	$(-2/3+0)Fb^2/EJ$	$2Xb/EJ$	
DA 2b	-1	$Fx-1/2qx^2$	0	$-Fx+1/2Fx^2/b$	0	1			
DE b	$1-x/b$	0	0	0	0	$1-2x/b+x^2/b^2$	0+0	$1/3Xb/EJ$	
ED b	$-x/b$	0	0	0	0	x^2/b^2			
EF b	0	0	0	0	0	0	0+0	0	
FE b	0	0	0	0	0	0			
FG b	0	0	$-Fb/EJ$	0	0	0	0+0	0	
GF b	0	0	Fb/EJ	0	0	0			
GC b	0	0	0	0	0	0	0+0	0	
CG b	0	0	0	0	0	0			
HG b	0	$1/2Fx-1/2qx^2$	0	0	0	0	0+0	0	
GH b	0	$-1/2Fx+1/2qx^2$	0	0	0	0			
HB b	0	$-Fb+Fx$	0	0	0	0	0+0	0	
BH b	0	Fx	0	0	0	0			
HE b	0	$Fb-Fx$	0	0	0	0	0+0	0	
EH b	0	$-Fx$	0	0	0	0			
AB	molla asta $-W_{1AB}(W_{0AB}+XW_{1AB})/k_{AB}$								$1/4Xb/EJ$
	totali							$-7/24Fb^2/EJ$	$35/12Xb/EJ$
	iperstatica $X=W_{AB}$							$1/10Fb$	

Sviluppi di calcolo iperstatica

$$L_{AB}^{xx} = \int_0^b (1 - 2x/b + x^2/b^2) \cdot 1/EJ \, dx + 1 \cdot 1/4 \cdot b/EJ = \left[x - x^2/b + 1/3 x^3/b^2 \right]_0^b \cdot 1/EJ + 1 \cdot 1/4 \cdot b/EJ$$

$$= (b - b + 1/3 b) \cdot 1/EJ + 1 \cdot 1/4 \cdot b/EJ = 7/12 \cdot b/EJ$$

$$L_{BA}^{xx} = \int_0^b (x^2/b^2) \cdot 1/EJ \, dx + 1 \cdot 1/4 \cdot b/EJ = \left[1/3 x^3/b^2 \right]_0^b \cdot 1/EJ + 1 \cdot 1/4 \cdot b/EJ$$

$$= (1/3 b) \cdot 1/EJ + 1 \cdot 1/4 \cdot b/EJ = 7/12 \cdot b/EJ$$

$$L_{AD}^{xx} = \int_0^{2b} (1) \cdot 1/EJ \, dx = \left[x \right]_0^{2b} \cdot 1/EJ$$

$$= (2b) \cdot 1/EJ = 2 \cdot b/EJ$$

$$L_{DA}^{xx} = \int_0^{2b} (1) \cdot 1/EJ \, dx = \left[x \right]_0^{2b} \cdot 1/EJ$$

$$= (2b) \cdot 1/EJ = 2 \cdot b/EJ$$

$$L_{DE}^{xx} = \int_0^b (1 - 2x/b + x^2/b^2) \cdot 1/EJ \, dx = \left[x - x^2/b + 1/3 x^3/b^2 \right]_0^b \cdot 1/EJ$$

$$= (b - b + 1/3 b) \cdot 1/EJ = 1/3 \cdot b/EJ$$

$$L_{ED}^{xx} = \int_0^b (x^2/b^2) \cdot 1/EJ \, dx = \left[1/3 x^3/b^2 \right]_0^b \cdot 1/EJ$$

$$= (1/3 b) \cdot 1/EJ = 1/3 \cdot b/EJ$$

$$L_{AB}^{xo} = \int_0^b (2x/b - 3/2 x^2/b^2 - 1/2 x^3/b^3) \cdot Fb \cdot 1/EJ \, dx + 1 \cdot 0 \cdot 1/4 \cdot Fb^2/EJ$$

$$= \left[x^2/b - 1/2 x^3/b^2 - 1/8 x^4/b^3 \right]_0^b \cdot Fb \cdot 1/EJ + 1 \cdot 0 \cdot 1/4 \cdot Fb^2/EJ$$

$$= (b - 1/2 b - 1/8 b) \cdot Fb \cdot 1/EJ + 1 \cdot 0 \cdot 1/4 \cdot Fb^2/EJ = 3/8 \cdot Fb^2/EJ$$

$$L_{BA}^{xo} = \int_0^b (5/2 x/b - 3 x^2/b^2 + 1/2 x^3/b^3) \cdot Fb \cdot 1/EJ \, dx + 1 \cdot 0 \cdot 1/4 \cdot Fb^2/EJ$$

$$= \left[5/4 x^2/b - x^3/b^2 + 1/8 x^4/b^3 \right]_0^b \cdot Fb \cdot 1/EJ + 1 \cdot 0 \cdot 1/4 \cdot Fb^2/EJ$$

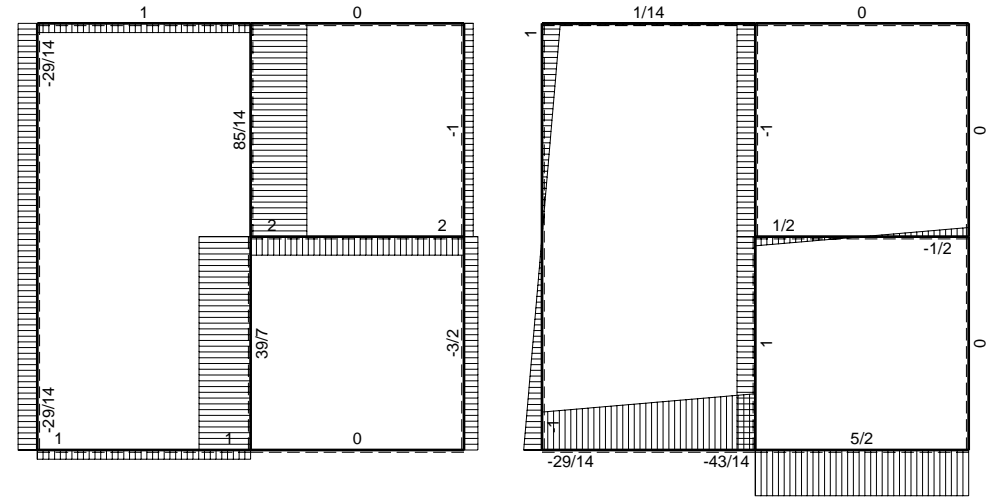
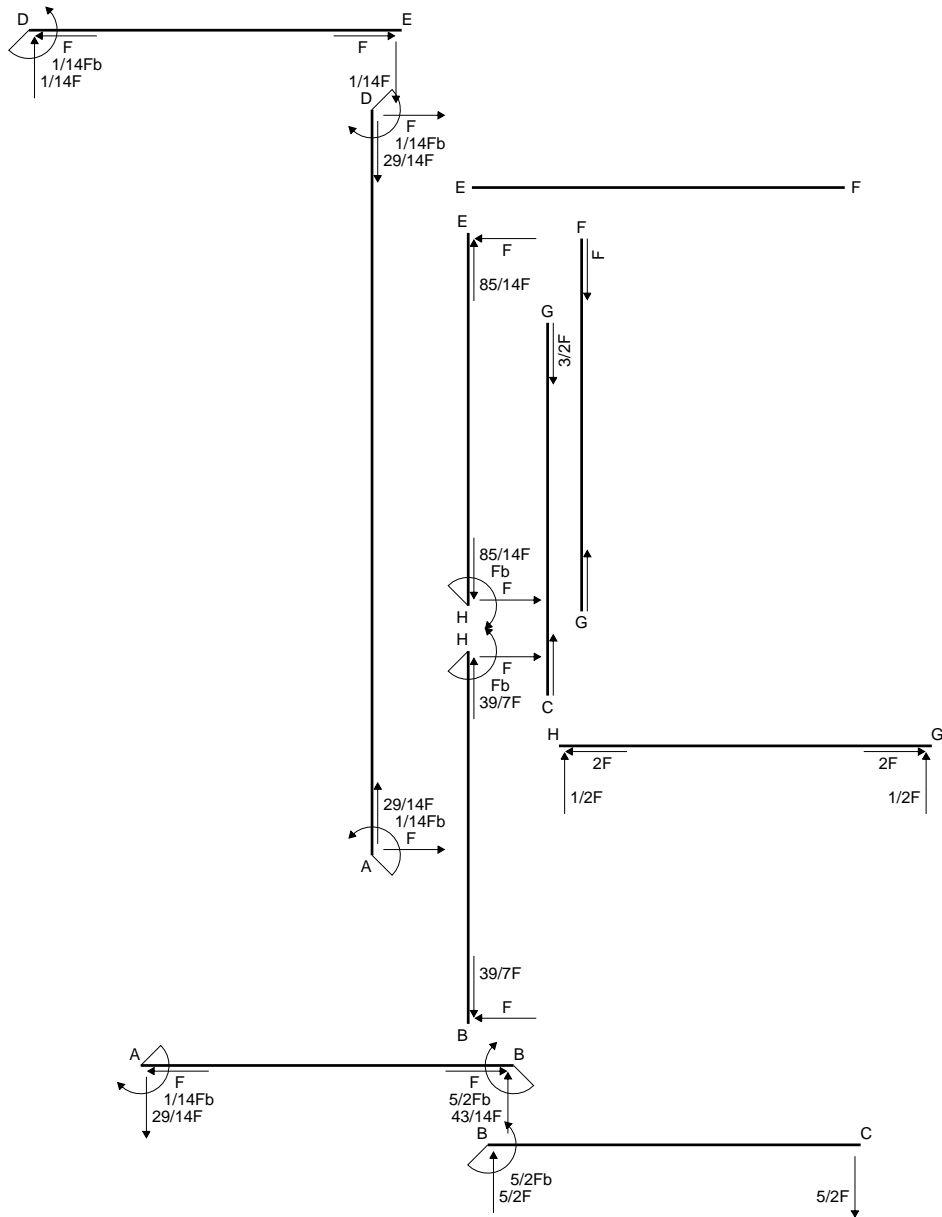
$$= (5/4 b - b + 1/8 b) \cdot Fb \cdot 1/EJ + 1 \cdot 0 \cdot 1/4 \cdot Fb^2/EJ = 3/8 \cdot Fb^2/EJ$$

$$L_{AD}^{xo} = \int_0^{2b} (-x/b + 1/2 x^2/b^2) \cdot Fb \cdot 1/EJ \, dx = \left[-1/2 x^2/b + 1/6 x^3/b^2 \right]_0^{2b} \cdot Fb \cdot 1/EJ$$

$$= (-2b + 4/3 b) \cdot Fb \cdot 1/EJ = -2/3 \cdot Fb^2/EJ$$

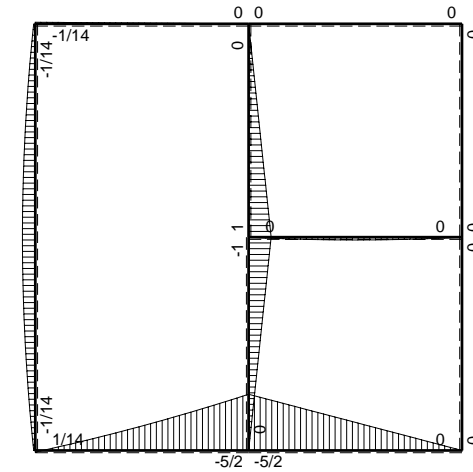
$$L_{DA}^{xo} = \int_0^{2b} (-x/b + 1/2 x^2/b^2) \cdot Fb \cdot 1/EJ \, dx = \left[-1/2 x^2/b + 1/6 x^3/b^2 \right]_0^{2b} \cdot Fb \cdot 1/EJ$$

$$= (-2b + 4/3 b) \cdot Fb \cdot 1/EJ = -2/3 \cdot Fb^2/EJ$$

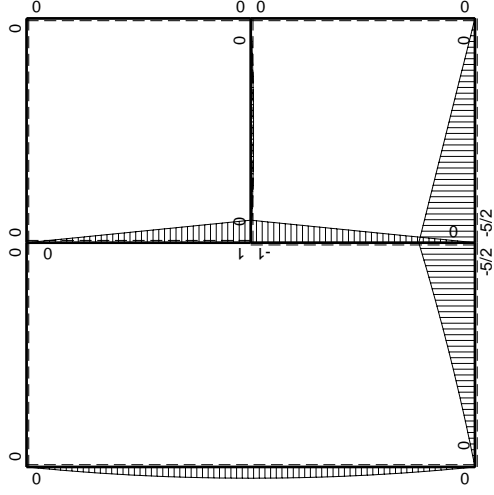
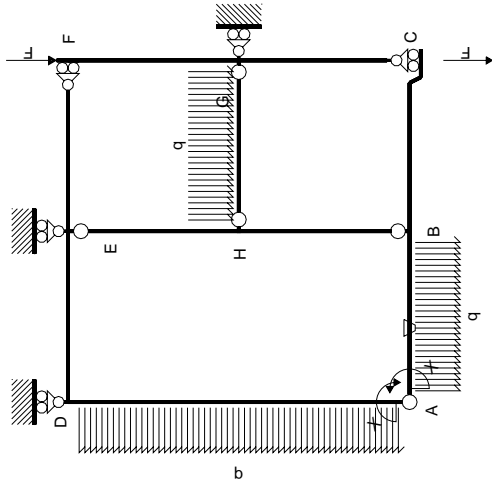


← ⊕ → F

↑ ⊕ ↓ F

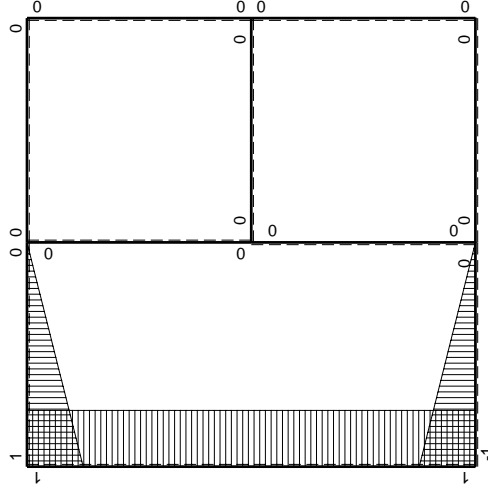


⊕ Fb



Schema di calcolo iperstatico

M_0 flessione da carichi assegnati



M_x flessione da iperstatica $X=1$

Quadro contributi PLV per iperstatica $X=W_{AB}$

→	$M_x(x)$	$M_o(x)$	θ	$M_x M_o$	$M_x \theta$	$M_x M_x$	$\int M_x(M_o/EJ+\theta)dx$	$\int X M_x M_x/EJ dx$	
AB b	$-1+x/b$	$-2Fx-1/2qx^2$	$-Fb/EJ$	$2Fx-3/2Fx^2/b-1/2qx^3/b$	$Fb/EJ-Fx/EJ$	$1-2x/b+x^2/b^2$	$(3/8+1/2)Fb^2/EJ$	$1/3Xb/EJ$	
BA b	x/b	$5/2Fb-3Fx+1/2qx^2$	Fb/EJ	$5/2Fx-3Fx^2/b+1/2qx^3/b$	Fx/EJ	x^2/b^2			
BC b	0	$-5/2Fb+5/2Fx$	0	0	0	0	0+0	0	
CB b	0	$5/2Fx$	0	0	0	0			
AD 2b	1	$-Fx+1/2qx^2$	0	$-Fx+1/2Fx^2/b$	0	1	$(-2/3+0)Fb^2/EJ$	$2Xb/EJ$	
DA 2b	-1	$Fx-1/2qx^2$	0	$-Fx+1/2Fx^2/b$	0	1			
DE b	$1-x/b$	0	0	0	0	$1-2x/b+x^2/b^2$	0+0	$1/3Xb/EJ$	
ED b	$-x/b$	0	0	0	0	x^2/b^2			
EF b	0	0	0	0	0	0	0+0	0	
FE b	0	0	0	0	0	0			
FG b	0	0	0	0	0	0	0+0	0	
GF b	0	0	0	0	0	0			
GC b	0	0	0	0	0	0	0+0	0	
CG b	0	0	0	0	0	0			
HG b	0	$1/2Fx-1/2qx^2$	0	0	0	0	0+0	0	
GH b	0	$-1/2Fx+1/2qx^2$	0	0	0	0			
HB b	0	$-Fb+Fx$	0	0	0	0	0+0	0	
BH b	0	Fx	0	0	0	0			
HE b	0	$Fb-Fx$	0	0	0	0	0+0	0	
EH b	0	$-Fx$	0	0	0	0			
AB	molla asta $-W_{1AB}(W_{0AB}+XW_{1AB})/k_{AB}$								$1/4Xb/EJ$
	totali							$5/24Fb^2/EJ$	$35/12Xb/EJ$
	iperstatica $X=W_{AB}$							$-1/14Fb$	

Sviluppi di calcolo iperstatica

$$L_{AB}^{xx} = \int_0^b (1 - 2x/b + x^2/b^2) \cdot 1/EJ \, dx + 1 \cdot 1/4 \cdot b/EJ = \left[x - x^2/b + 1/3 x^3/b^2 \right]_0^b \cdot 1/EJ + 1 \cdot 1/4 \cdot b/EJ$$

$$= (b - b + 1/3 b) \cdot 1/EJ + 1 \cdot 1/4 \cdot b/EJ = 7/12 \cdot b/EJ$$

$$L_{BA}^{xx} = \int_0^b (x^2/b^2) \cdot 1/EJ \, dx + 1 \cdot 1/4 \cdot b/EJ = \left[1/3 x^3/b^2 \right]_0^b \cdot 1/EJ + 1 \cdot 1/4 \cdot b/EJ$$

$$= (1/3 b) \cdot 1/EJ + 1 \cdot 1/4 \cdot b/EJ = 7/12 \cdot b/EJ$$

$$L_{AD}^{xx} = \int_0^{2b} (1) \cdot 1/EJ \, dx = \left[x \right]_0^{2b} \cdot 1/EJ$$

$$= (2b) \cdot 1/EJ = 2 \cdot b/EJ$$

$$L_{DA}^{xx} = \int_0^{2b} (1) \cdot 1/EJ \, dx = \left[x \right]_0^{2b} \cdot 1/EJ$$

$$= (2b) \cdot 1/EJ = 2 \cdot b/EJ$$

$$L_{DE}^{xx} = \int_0^b (1 - 2x/b + x^2/b^2) \cdot 1/EJ \, dx = \left[x - x^2/b + 1/3 x^3/b^2 \right]_0^b \cdot 1/EJ$$

$$= (b - b + 1/3 b) \cdot 1/EJ = 1/3 \cdot b/EJ$$

$$L_{ED}^{xx} = \int_0^b (x^2/b^2) \cdot 1/EJ \, dx = \left[1/3 x^3/b^2 \right]_0^b \cdot 1/EJ$$

$$= (1/3 b) \cdot 1/EJ = 1/3 \cdot b/EJ$$

$$L_{AB}^{xo} = \int_0^b (2x/b - 3/2 x^2/b^2 - 1/2 x^3/b^3) \cdot Fb \cdot 1/EJ \, dx + \int_0^b (1 - x/b) \cdot \theta \, dx + 1 \cdot 0 \cdot 1/4 \cdot Fb^2/EJ$$

$$= \left[x^2/b - 1/2 x^3/b^2 - 1/8 x^4/b^3 \right]_0^b \cdot Fb \cdot 1/EJ + \left[x - 1/2 x^2/b \right]_0^b \cdot \theta + 1 \cdot 0 \cdot 1/4 \cdot Fb^2/EJ$$

$$= (b - 1/2 b - 1/8 b) \cdot Fb \cdot 1/EJ + (b - 1/2 b) \cdot \theta + 1 \cdot 0 \cdot 1/4 \cdot Fb^2/EJ = 7/8 \cdot Fb^2/EJ$$

$$L_{BA}^{xo} = \int_0^b (5/2 x/b - 3 x^2/b^2 + 1/2 x^3/b^3) \cdot Fb \cdot 1/EJ \, dx + \int_0^b (-x/b) \cdot \theta \, dx + 1 \cdot 0 \cdot 1/4 \cdot Fb^2/EJ$$

$$= \left[5/4 x^2/b - x^3/b^2 + 1/8 x^4/b^3 \right]_0^b \cdot Fb \cdot 1/EJ + \left[-1/2 x^2/b \right]_0^b \cdot \theta + 1 \cdot 0 \cdot 1/4 \cdot Fb^2/EJ$$

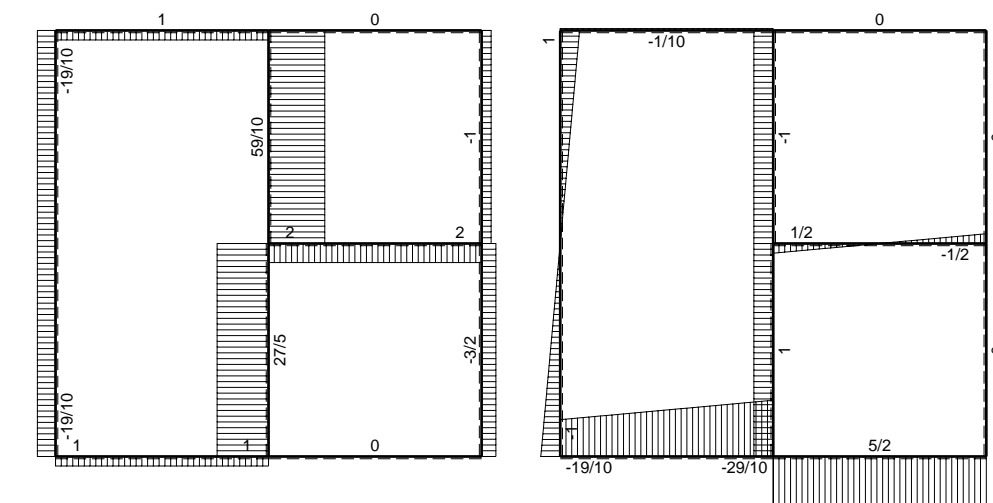
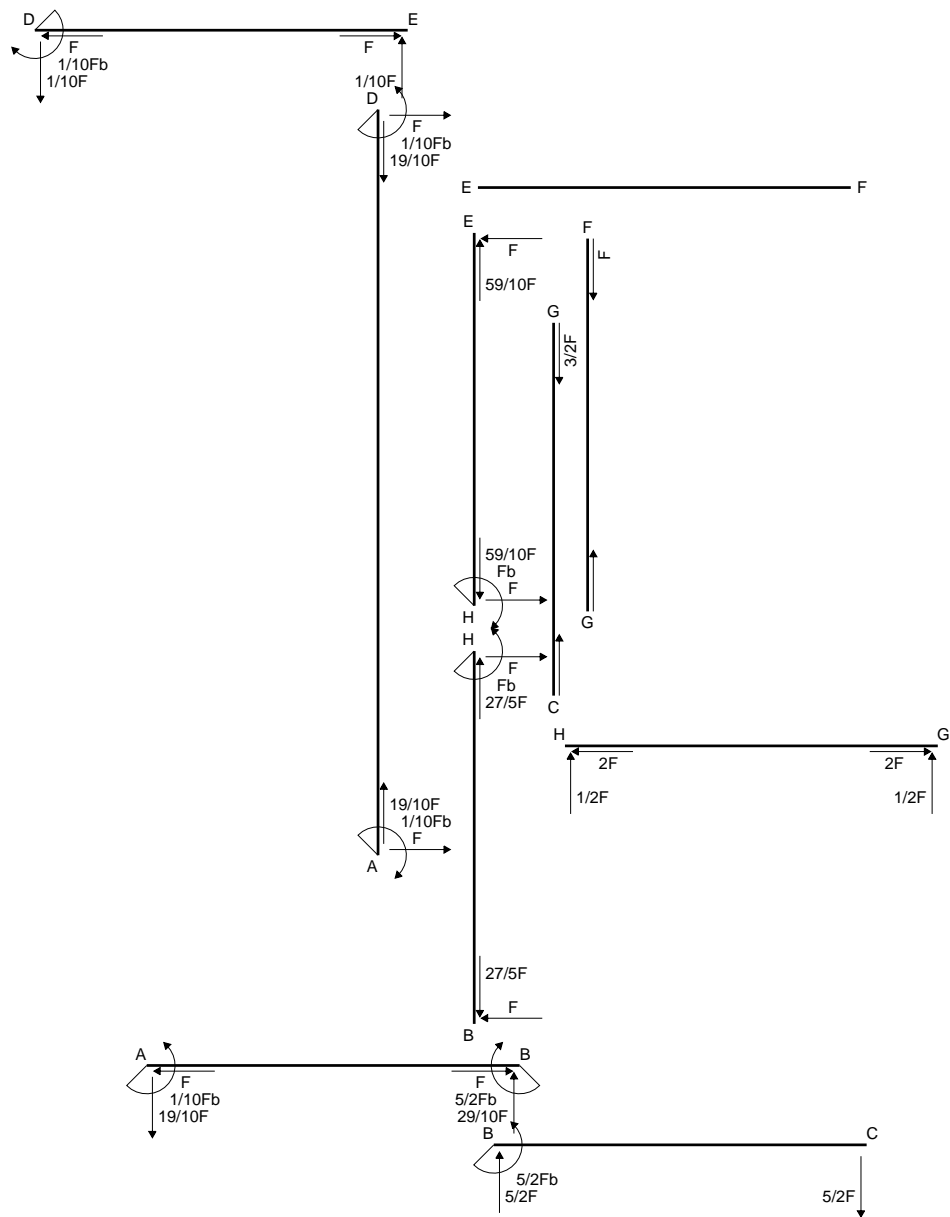
$$= (5/4 b - b + 1/8 b) \cdot Fb \cdot 1/EJ + (-1/2 b) \cdot \theta + 1 \cdot 0 \cdot 1/4 \cdot Fb^2/EJ = 7/8 \cdot Fb^2/EJ$$

$$L_{AD}^{xo} = \int_0^{2b} (-x/b + 1/2 x^2/b^2) \cdot Fb \cdot 1/EJ \, dx = \left[-1/2 x^2/b + 1/6 x^3/b^2 \right]_0^{2b} \cdot Fb \cdot 1/EJ$$

$$= (-2b + 4/3 b) \cdot Fb \cdot 1/EJ = -2/3 \cdot Fb^2/EJ$$

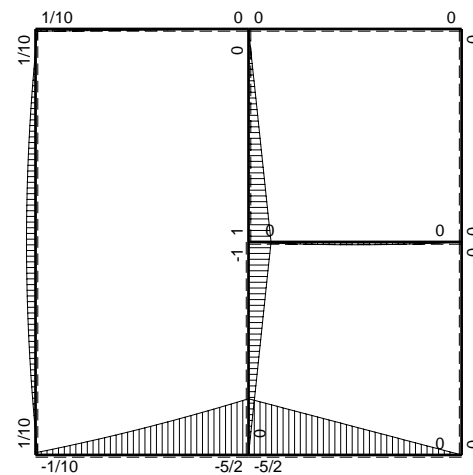
$$L_{DA}^{xo} = \int_0^{2b} (-x/b + 1/2 x^2/b^2) \cdot Fb \cdot 1/EJ \, dx = \left[-1/2 x^2/b + 1/6 x^3/b^2 \right]_0^{2b} \cdot Fb \cdot 1/EJ$$

$$= (-2b + 4/3 b) \cdot Fb \cdot 1/EJ = -2/3 \cdot Fb^2/EJ$$

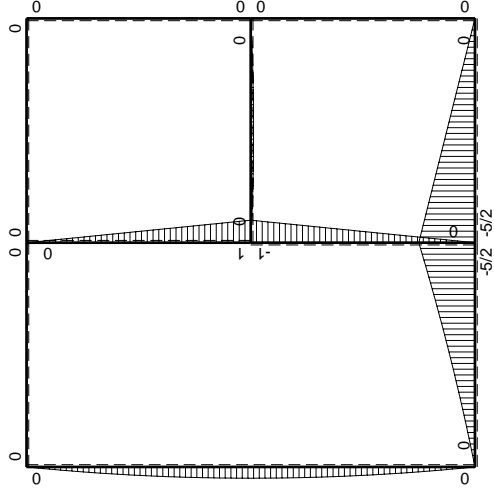
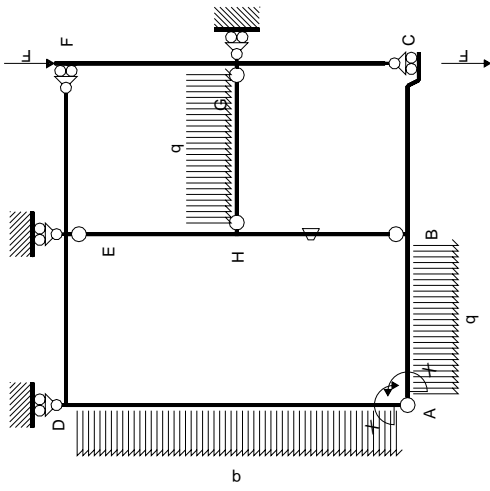


← ⊕ → F

↑ ⊕ ↓ F

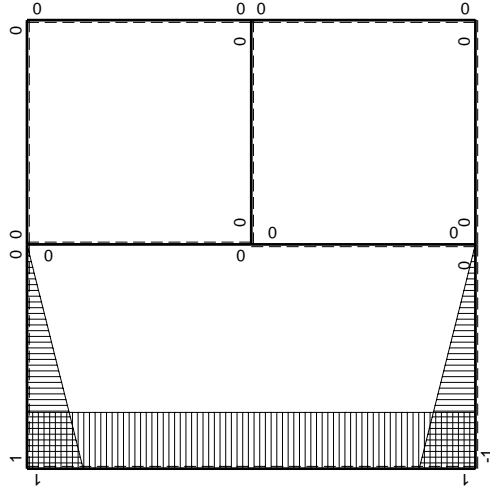


⊕ ⊖ F_b



Schema di calcolo iperstatico

M_0 flessione da carichi assegnati



M_x flessione da iperstatica $X=1$

Quadro contributi PLV per iperstatica $X=W_{AB}$

→	$M_x(x)$	$M_o(x)$	θ	$M_x M_o$	$M_x \theta$	$M_x M_x$	$\int M_x(M_o/EJ+\theta)dx$	$\int X M_x M_x/EJ dx$
AB b	$-1+x/b$	$-2Fx-1/2qx^2$	0	$2Fx-3/2Fx^2/b-1/2qx^3/b$	0	$1-2x/b+x^2/b^2$	$(3/8+0)Fb^2/EJ$	$1/3Xb/EJ$
BA b	x/b	$5/2Fb-3Fx+1/2qx^2$	0	$5/2Fx-3Fx^2/b+1/2qx^3/b$	0	x^2/b^2		
BC b	0	$-5/2Fb+5/2Fx$	0	0	0	0	0+0	0
CB b	0	$5/2Fx$	0	0	0	0		
AD 2b	1	$-Fx+1/2qx^2$	0	$-Fx+1/2Fx^2/b$	0	1	$(-2/3+0)Fb^2/EJ$	$2Xb/EJ$
DA 2b	-1	$Fx-1/2qx^2$	0	$-Fx+1/2Fx^2/b$	0	1		
DE b	$1-x/b$	0	0	0	0	$1-2x/b+x^2/b^2$	0+0	$1/3Xb/EJ$
ED b	$-x/b$	0	0	0	0	x^2/b^2		
EF b	0	0	0	0	0	0	0+0	0
FE b	0	0	0	0	0	0		
FG b	0	0	0	0	0	0	0+0	0
GF b	0	0	0	0	0	0		
GC b	0	0	0	0	0	0	0+0	0
CG b	0	0	0	0	0	0		
HG b	0	$1/2Fx-1/2qx^2$	0	0	0	0	0+0	0
GH b	0	$-1/2Fx+1/2qx^2$	0	0	0	0		
HB b	0	$-Fb+Fx$	$-Fb/EJ$	0	0	0	0+0	0
BH b	0	Fx	Fb/EJ	0	0	0		
HE b	0	$Fb-Fx$	0	0	0	0	0+0	0
EH b	0	$-Fx$	0	0	0	0		
AB	molla asta $-W_{1AB}(W_{0AB}+XW_{1AB})/k_{AB}$							$1/4Xb/EJ$
	totali						$-7/24Fb^2/EJ$	$35/12Xb/EJ$
	iperstatica $X=W_{AB}$						$1/10Fb$	

Sviluppi di calcolo iperstatica

$$L_{AB}^{xx} = \int_0^b (1 - 2x/b + x^2/b^2) \cdot 1/EJ \, dx + 1 \cdot 1/4 \cdot b/EJ = \left[x - x^2/b + 1/3 x^3/b^2 \right]_0^b \cdot 1/EJ + 1 \cdot 1/4 \cdot b/EJ$$

$$= (b - b + 1/3 b) \cdot 1/EJ + 1 \cdot 1/4 \cdot b/EJ = 7/12 \cdot b/EJ$$

$$L_{BA}^{xx} = \int_0^b (x^2/b^2) \cdot 1/EJ \, dx + 1 \cdot 1/4 \cdot b/EJ = \left[1/3 x^3/b^2 \right]_0^b \cdot 1/EJ + 1 \cdot 1/4 \cdot b/EJ$$

$$= (1/3 b) \cdot 1/EJ + 1 \cdot 1/4 \cdot b/EJ = 7/12 \cdot b/EJ$$

$$L_{AD}^{xx} = \int_0^{2b} (1) \cdot 1/EJ \, dx = \left[x \right]_0^{2b} \cdot 1/EJ$$

$$= (2b) \cdot 1/EJ = 2 \cdot b/EJ$$

$$L_{DA}^{xx} = \int_0^{2b} (1) \cdot 1/EJ \, dx = \left[x \right]_0^{2b} \cdot 1/EJ$$

$$= (2b) \cdot 1/EJ = 2 \cdot b/EJ$$

$$L_{DE}^{xx} = \int_0^b (1 - 2x/b + x^2/b^2) \cdot 1/EJ \, dx = \left[x - x^2/b + 1/3 x^3/b^2 \right]_0^b \cdot 1/EJ$$

$$= (b - b + 1/3 b) \cdot 1/EJ = 1/3 \cdot b/EJ$$

$$L_{ED}^{xx} = \int_0^b (x^2/b^2) \cdot 1/EJ \, dx = \left[1/3 x^3/b^2 \right]_0^b \cdot 1/EJ$$

$$= (1/3 b) \cdot 1/EJ = 1/3 \cdot b/EJ$$

$$L_{AB}^{xo} = \int_0^b (2x/b - 3/2 x^2/b^2 - 1/2 x^3/b^3) \cdot Fb \cdot 1/EJ \, dx + 1 \cdot 0 \cdot 1/4 \cdot Fb^2/EJ$$

$$= \left[x^2/b - 1/2 x^3/b^2 - 1/8 x^4/b^3 \right]_0^b \cdot Fb \cdot 1/EJ + 1 \cdot 0 \cdot 1/4 \cdot Fb^2/EJ$$

$$= (b - 1/2 b - 1/8 b) \cdot Fb \cdot 1/EJ + 1 \cdot 0 \cdot 1/4 \cdot Fb^2/EJ = 3/8 \cdot Fb^2/EJ$$

$$L_{BA}^{xo} = \int_0^b (5/2 x/b - 3 x^2/b^2 + 1/2 x^3/b^3) \cdot Fb \cdot 1/EJ \, dx + 1 \cdot 0 \cdot 1/4 \cdot Fb^2/EJ$$

$$= \left[5/4 x^2/b - x^3/b^2 + 1/8 x^4/b^3 \right]_0^b \cdot Fb \cdot 1/EJ + 1 \cdot 0 \cdot 1/4 \cdot Fb^2/EJ$$

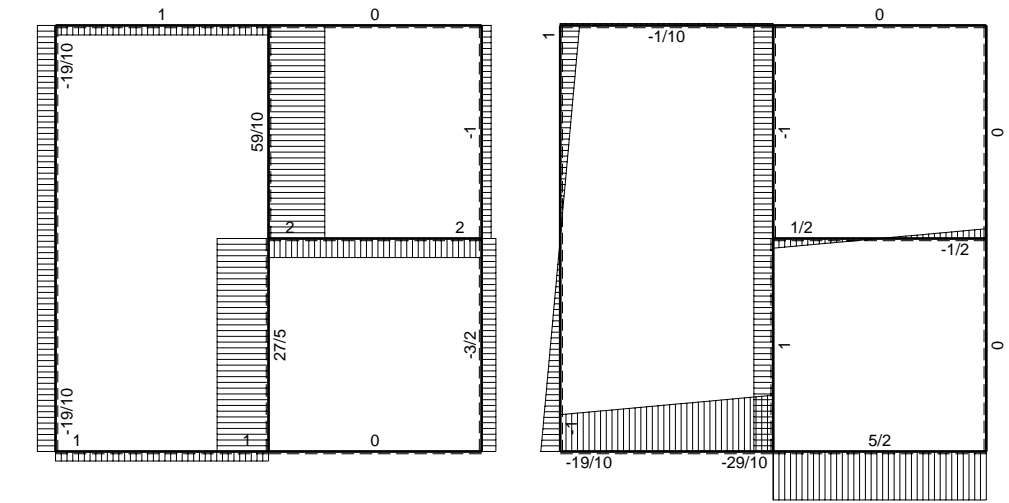
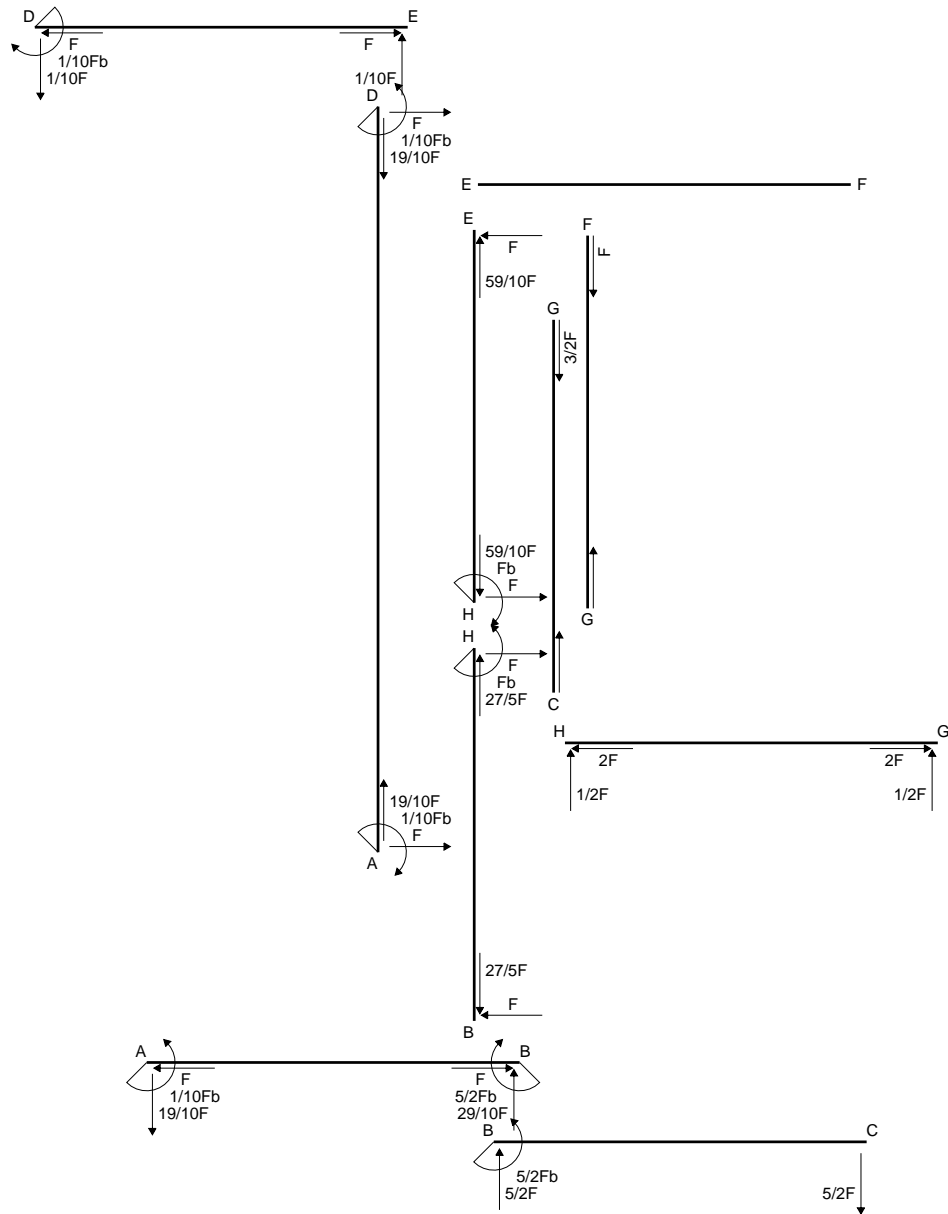
$$= (5/4 b - b + 1/8 b) \cdot Fb \cdot 1/EJ + 1 \cdot 0 \cdot 1/4 \cdot Fb^2/EJ = 3/8 \cdot Fb^2/EJ$$

$$L_{AD}^{xo} = \int_0^{2b} (-x/b + 1/2 x^2/b^2) \cdot Fb \cdot 1/EJ \, dx = \left[-1/2 x^2/b + 1/6 x^3/b^2 \right]_0^{2b} \cdot Fb \cdot 1/EJ$$

$$= (-2b + 4/3 b) \cdot Fb \cdot 1/EJ = -2/3 \cdot Fb^2/EJ$$

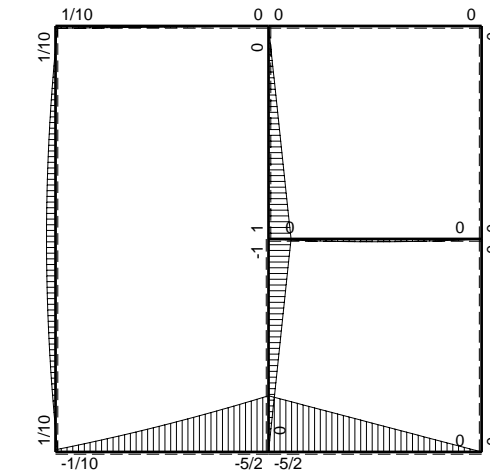
$$L_{DA}^{xo} = \int_0^{2b} (-x/b + 1/2 x^2/b^2) \cdot Fb \cdot 1/EJ \, dx = \left[-1/2 x^2/b + 1/6 x^3/b^2 \right]_0^{2b} \cdot Fb \cdot 1/EJ$$

$$= (-2b + 4/3 b) \cdot Fb \cdot 1/EJ = -2/3 \cdot Fb^2/EJ$$

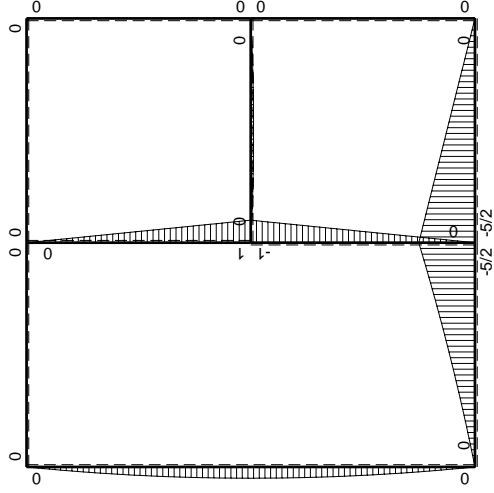
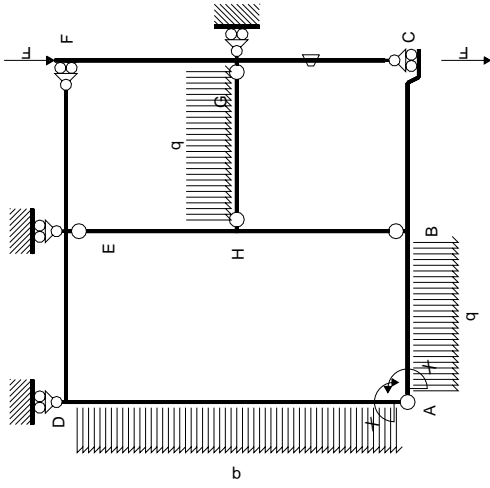


← ⊕ → F

↑ ⊕ ↓ F

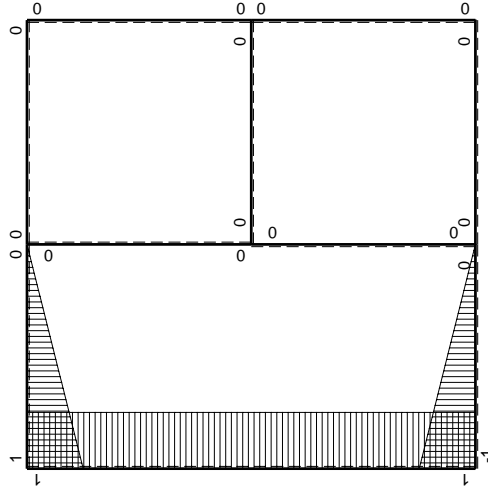


⊕ ⊖ F_b



Schema di calcolo iperstatico

M_0 flessione da carichi assegnati



M_x flessione da iperstatica $X=1$

Quadro contributi PLV per iperstatica $X=W_{AB}$

→	$M_x(x)$	$M_o(x)$	θ	$M_x M_o$	$M_x \theta$	$M_x M_x$	$\int M_x(M_o/EJ+\theta)dx$	$\int X M_x M_x / EJ dx$	
AB b	$-1+x/b$	$-2Fx-1/2qx^2$	0	$2Fx-3/2Fx^2/b-1/2qx^3/b$	0	$1-2x/b+x^2/b^2$	$(3/8+0)Fb^2/EJ$	$1/3Xb/EJ$	
BA b	x/b	$5/2Fb-3Fx+1/2qx^2$	0	$5/2Fx-3Fx^2/b+1/2qx^3/b$	0	x^2/b^2			
BC b	0	$-5/2Fb+5/2Fx$	0	0	0	0	0+0	0	
CB b	0	$5/2Fx$	0	0	0	0			
AD 2b	1	$-Fx+1/2qx^2$	0	$-Fx+1/2Fx^2/b$	0	1	$(-2/3+0)Fb^2/EJ$	$2Xb/EJ$	
DA 2b	-1	$Fx-1/2qx^2$	0	$-Fx+1/2Fx^2/b$	0	1			
DE b	$1-x/b$	0	0	0	0	$1-2x/b+x^2/b^2$	0+0	$1/3Xb/EJ$	
ED b	$-x/b$	0	0	0	0	x^2/b^2			
EF b	0	0	0	0	0	0	0+0	0	
FE b	0	0	0	0	0	0			
FG b	0	0	0	0	0	0	0+0	0	
GF b	0	0	0	0	0	0			
GC b	0	0	$-Fb/EJ$	0	0	0	0+0	0	
CG b	0	0	Fb/EJ	0	0	0			
HG b	0	$1/2Fx-1/2qx^2$	0	0	0	0	0+0	0	
GH b	0	$-1/2Fx+1/2qx^2$	0	0	0	0			
HB b	0	$-Fb+Fx$	0	0	0	0	0+0	0	
BH b	0	Fx	0	0	0	0			
HE b	0	$Fb-Fx$	0	0	0	0	0+0	0	
EH b	0	$-Fx$	0	0	0	0			
AB	molla asta $-W_{1AB}(W_{0AB}+XW_{1AB})/k_{AB}$								$1/4Xb/EJ$
	totali							$-7/24Fb^2/EJ$	$35/12Xb/EJ$
	iperstatica $X=W_{AB}$							$1/10Fb$	

Sviluppi di calcolo iperstatica

$$L_{AB}^{xx} = \int_0^b (1 - 2x/b + x^2/b^2) \cdot 1/EJ \, dx + 1 \cdot 1/4 \cdot b/EJ = \left[x - x^2/b + 1/3 x^3/b^2 \right]_0^b \cdot 1/EJ + 1 \cdot 1/4 \cdot b/EJ$$

$$= (b - b + 1/3 b) \cdot 1/EJ + 1 \cdot 1/4 \cdot b/EJ = 7/12 \cdot b/EJ$$

$$L_{BA}^{xx} = \int_0^b (x^2/b^2) \cdot 1/EJ \, dx + 1 \cdot 1/4 \cdot b/EJ = \left[1/3 x^3/b^2 \right]_0^b \cdot 1/EJ + 1 \cdot 1/4 \cdot b/EJ$$

$$= (1/3 b) \cdot 1/EJ + 1 \cdot 1/4 \cdot b/EJ = 7/12 \cdot b/EJ$$

$$L_{AD}^{xx} = \int_0^{2b} (1) \cdot 1/EJ \, dx = \left[x \right]_0^{2b} \cdot 1/EJ$$

$$= (2b) \cdot 1/EJ = 2 \cdot b/EJ$$

$$L_{DA}^{xx} = \int_0^{2b} (1) \cdot 1/EJ \, dx = \left[x \right]_0^{2b} \cdot 1/EJ$$

$$= (2b) \cdot 1/EJ = 2 \cdot b/EJ$$

$$L_{DE}^{xx} = \int_0^b (1 - 2x/b + x^2/b^2) \cdot 1/EJ \, dx = \left[x - x^2/b + 1/3 x^3/b^2 \right]_0^b \cdot 1/EJ$$

$$= (b - b + 1/3 b) \cdot 1/EJ = 1/3 \cdot b/EJ$$

$$L_{ED}^{xx} = \int_0^b (x^2/b^2) \cdot 1/EJ \, dx = \left[1/3 x^3/b^2 \right]_0^b \cdot 1/EJ$$

$$= (1/3 b) \cdot 1/EJ = 1/3 \cdot b/EJ$$

$$L_{AB}^{xo} = \int_0^b (2x/b - 3/2 x^2/b^2 - 1/2 x^3/b^3) \cdot Fb \cdot 1/EJ \, dx + 1 \cdot 0 \cdot 1/4 \cdot Fb^2/EJ$$

$$= \left[x^2/b - 1/2 x^3/b^2 - 1/8 x^4/b^3 \right]_0^b \cdot Fb \cdot 1/EJ + 1 \cdot 0 \cdot 1/4 \cdot Fb^2/EJ$$

$$= (b - 1/2 b - 1/8 b) \cdot Fb \cdot 1/EJ + 1 \cdot 0 \cdot 1/4 \cdot Fb^2/EJ = 3/8 \cdot Fb^2/EJ$$

$$L_{BA}^{xo} = \int_0^b (5/2 x/b - 3 x^2/b^2 + 1/2 x^3/b^3) \cdot Fb \cdot 1/EJ \, dx + 1 \cdot 0 \cdot 1/4 \cdot Fb^2/EJ$$

$$= \left[5/4 x^2/b - x^3/b^2 + 1/8 x^4/b^3 \right]_0^b \cdot Fb \cdot 1/EJ + 1 \cdot 0 \cdot 1/4 \cdot Fb^2/EJ$$

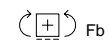
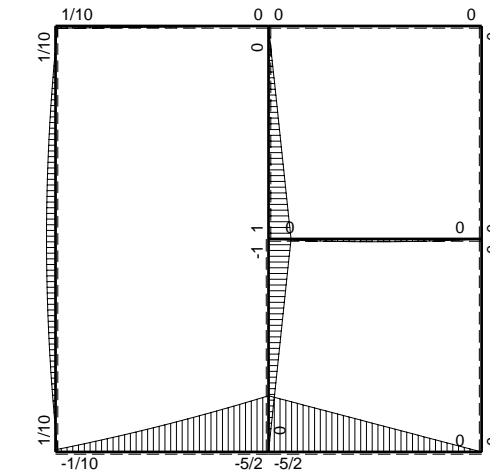
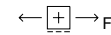
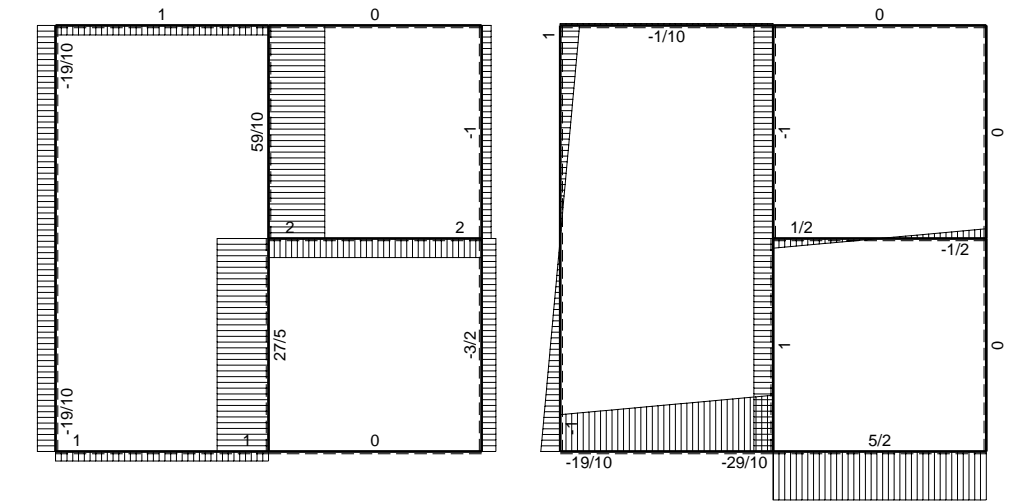
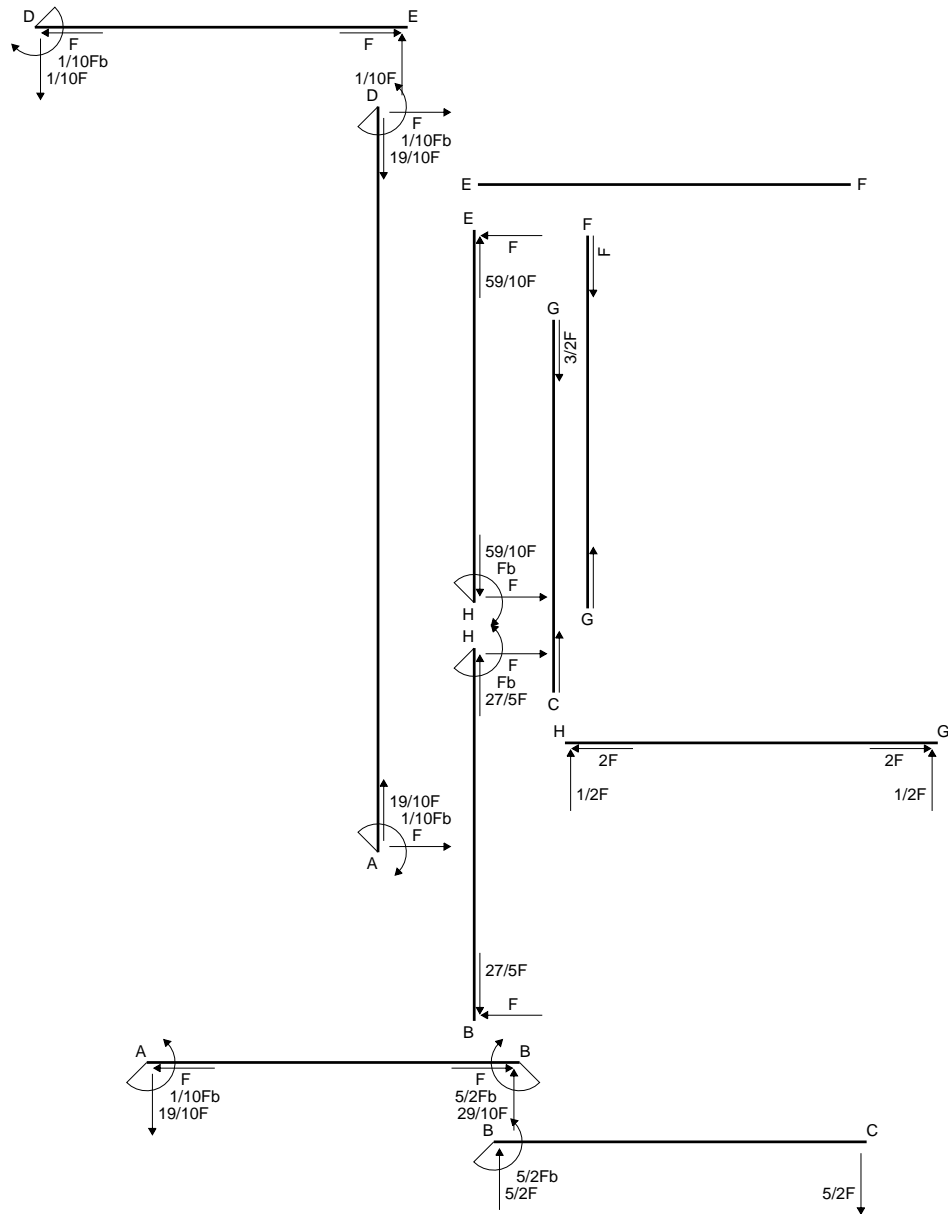
$$= (5/4 b - b + 1/8 b) \cdot Fb \cdot 1/EJ + 1 \cdot 0 \cdot 1/4 \cdot Fb^2/EJ = 3/8 \cdot Fb^2/EJ$$

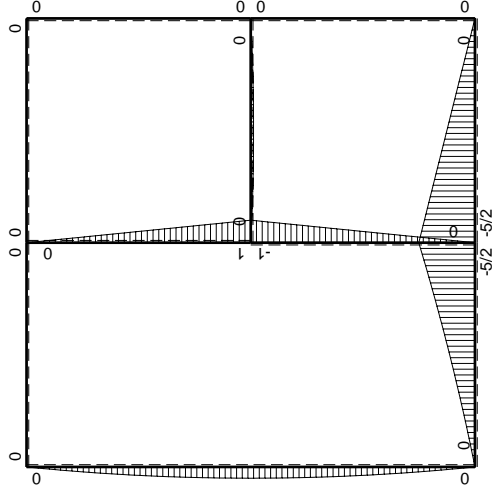
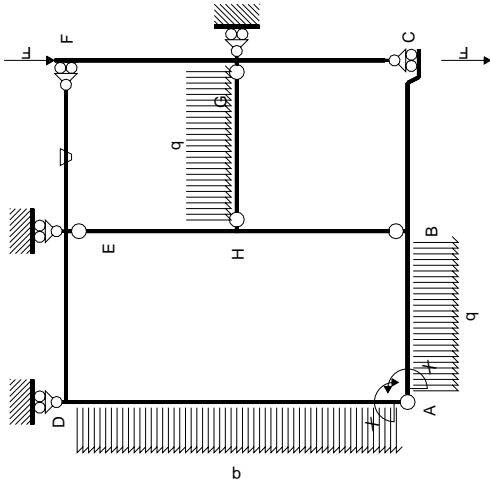
$$L_{AD}^{xo} = \int_0^{2b} (-x/b + 1/2 x^2/b^2) \cdot Fb \cdot 1/EJ \, dx = \left[-1/2 x^2/b + 1/6 x^3/b^2 \right]_0^{2b} \cdot Fb \cdot 1/EJ$$

$$= (-2b + 4/3 b) \cdot Fb \cdot 1/EJ = -2/3 \cdot Fb^2/EJ$$

$$L_{DA}^{xo} = \int_0^{2b} (-x/b + 1/2 x^2/b^2) \cdot Fb \cdot 1/EJ \, dx = \left[-1/2 x^2/b + 1/6 x^3/b^2 \right]_0^{2b} \cdot Fb \cdot 1/EJ$$

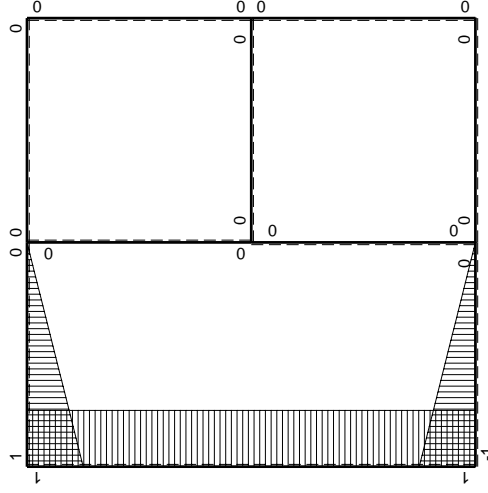
$$= (-2b + 4/3 b) \cdot Fb \cdot 1/EJ = -2/3 \cdot Fb^2/EJ$$





Schema di calcolo iperstatico

M_0 flessione da carichi assegnati



M_x flessione da iperstatica $X=1$

Quadro contributi PLV per iperstatica $X=W_{AB}$

→	$M_x(x)$	$M_o(x)$	θ	$M_x M_o$	$M_x \theta$	$M_x M_x$	$\int M_x(M_o/EJ+\theta)dx$	$\int X M_x M_x/EJ dx$	
AB b	$-1+x/b$	$-2Fx-1/2qx^2$	0	$2Fx-3/2Fx^2/b-1/2qx^3/b$	0	$1-2x/b+x^2/b^2$	$(3/8+0)Fb^2/EJ$	$1/3Xb/EJ$	
BA b	x/b	$5/2Fb-3Fx+1/2qx^2$	0	$5/2Fx-3Fx^2/b+1/2qx^3/b$	0	x^2/b^2			
BC b	0	$-5/2Fb+5/2Fx$	0	0	0	0	0+0	0	
CB b	0	$5/2Fx$	0	0	0	0			
AD 2b	1	$-Fx+1/2qx^2$	0	$-Fx+1/2Fx^2/b$	0	1	$(-2/3+0)Fb^2/EJ$	$2Xb/EJ$	
DA 2b	-1	$Fx-1/2qx^2$	0	$-Fx+1/2Fx^2/b$	0	1			
DE b	$1-x/b$	0	0	0	0	$1-2x/b+x^2/b^2$	0+0	$1/3Xb/EJ$	
ED b	$-x/b$	0	0	0	0	x^2/b^2			
EF b	0	0	$-Fb/EJ$	0	0	0	0+0	0	
FE b	0	0	Fb/EJ	0	0	0			
FG b	0	0	0	0	0	0	0+0	0	
GF b	0	0	0	0	0	0			
GC b	0	0	0	0	0	0	0+0	0	
CG b	0	0	0	0	0	0			
HG b	0	$1/2Fx-1/2qx^2$	0	0	0	0	0+0	0	
GH b	0	$-1/2Fx+1/2qx^2$	0	0	0	0			
HB b	0	$-Fb+Fx$	0	0	0	0	0+0	0	
BH b	0	Fx	0	0	0	0			
HE b	0	$Fb-Fx$	0	0	0	0	0+0	0	
EH b	0	$-Fx$	0	0	0	0			
AB	molla asta $-W_{1AB}(W_{0AB}+XW_{1AB})/k_{AB}$								$1/4Xb/EJ$
	totali							$-7/24Fb^2/EJ$	$35/12Xb/EJ$
	iperstatica $X=W_{AB}$							$1/10Fb$	

Sviluppi di calcolo iperstatica

$$L_{AB}^{xx} = \int_0^b (1 - 2x/b + x^2/b^2) \cdot 1/EJ \, dx + 1 \cdot 1/4 \cdot b/EJ = \left[x - x^2/b + 1/3 x^3/b^2 \right]_0^b \cdot 1/EJ + 1 \cdot 1/4 \cdot b/EJ$$

$$= (b - b + 1/3 b) \cdot 1/EJ + 1 \cdot 1/4 \cdot b/EJ = 7/12 \cdot b/EJ$$

$$L_{BA}^{xx} = \int_0^b (x^2/b^2) \cdot 1/EJ \, dx + 1 \cdot 1/4 \cdot b/EJ = \left[1/3 x^3/b^2 \right]_0^b \cdot 1/EJ + 1 \cdot 1/4 \cdot b/EJ$$

$$= (1/3 b) \cdot 1/EJ + 1 \cdot 1/4 \cdot b/EJ = 7/12 \cdot b/EJ$$

$$L_{AD}^{xx} = \int_0^{2b} (1) \cdot 1/EJ \, dx = \left[x \right]_0^{2b} \cdot 1/EJ$$

$$= (2b) \cdot 1/EJ = 2 \cdot b/EJ$$

$$L_{DA}^{xx} = \int_0^{2b} (1) \cdot 1/EJ \, dx = \left[x \right]_0^{2b} \cdot 1/EJ$$

$$= (2b) \cdot 1/EJ = 2 \cdot b/EJ$$

$$L_{DE}^{xx} = \int_0^b (1 - 2x/b + x^2/b^2) \cdot 1/EJ \, dx = \left[x - x^2/b + 1/3 x^3/b^2 \right]_0^b \cdot 1/EJ$$

$$= (b - b + 1/3 b) \cdot 1/EJ = 1/3 \cdot b/EJ$$

$$L_{ED}^{xx} = \int_0^b (x^2/b^2) \cdot 1/EJ \, dx = \left[1/3 x^3/b^2 \right]_0^b \cdot 1/EJ$$

$$= (1/3 b) \cdot 1/EJ = 1/3 \cdot b/EJ$$

$$L_{AB}^{xo} = \int_0^b (2x/b - 3/2 x^2/b^2 - 1/2 x^3/b^3) \cdot Fb \cdot 1/EJ \, dx + 1 \cdot 0 \cdot 1/4 \cdot Fb^2/EJ$$

$$= \left[x^2/b - 1/2 x^3/b^2 - 1/8 x^4/b^3 \right]_0^b \cdot Fb \cdot 1/EJ + 1 \cdot 0 \cdot 1/4 \cdot Fb^2/EJ$$

$$= (b - 1/2 b - 1/8 b) \cdot Fb \cdot 1/EJ + 1 \cdot 0 \cdot 1/4 \cdot Fb^2/EJ = 3/8 \cdot Fb^2/EJ$$

$$L_{BA}^{xo} = \int_0^b (5/2 x/b - 3 x^2/b^2 + 1/2 x^3/b^3) \cdot Fb \cdot 1/EJ \, dx + 1 \cdot 0 \cdot 1/4 \cdot Fb^2/EJ$$

$$= \left[5/4 x^2/b - x^3/b^2 + 1/8 x^4/b^3 \right]_0^b \cdot Fb \cdot 1/EJ + 1 \cdot 0 \cdot 1/4 \cdot Fb^2/EJ$$

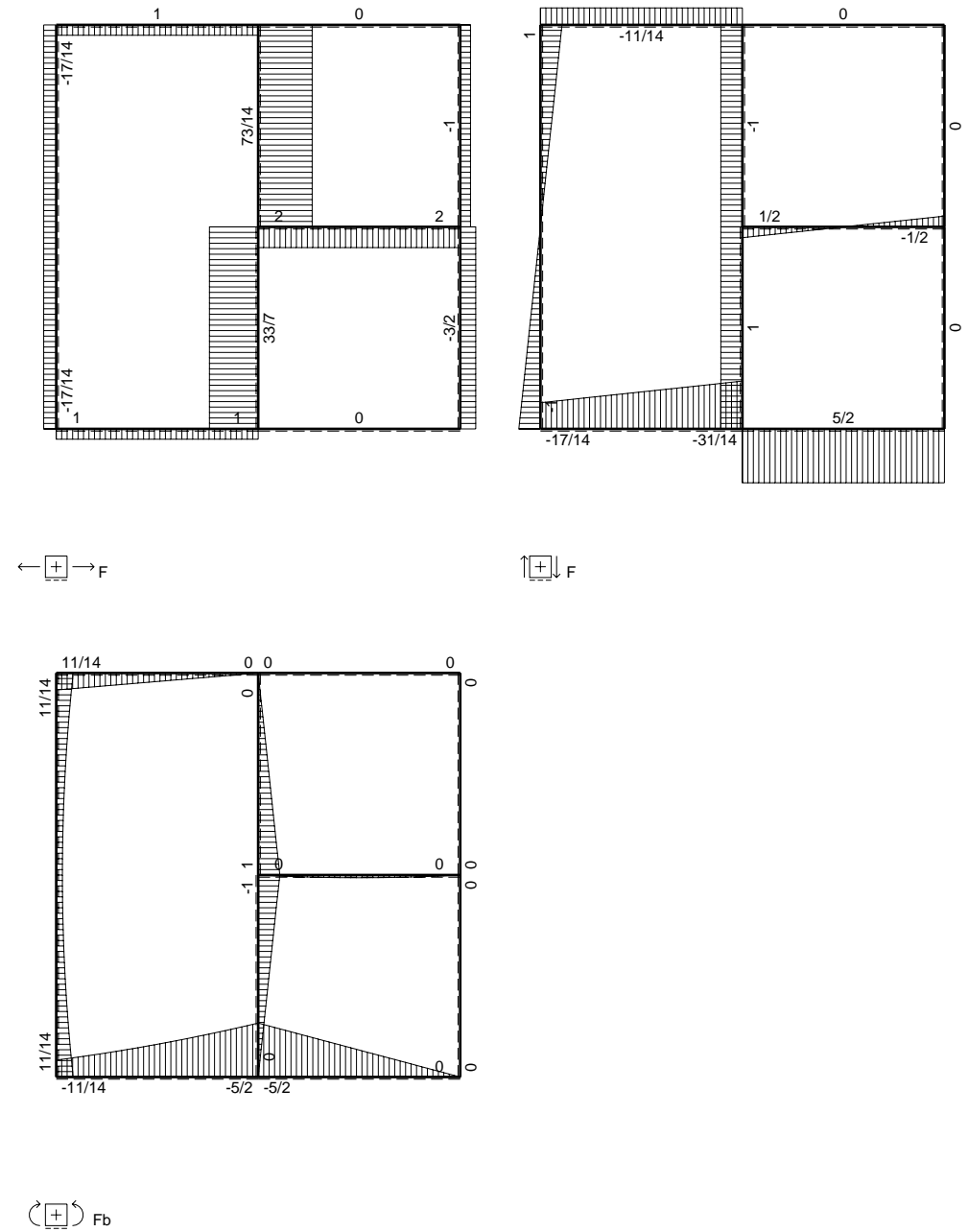
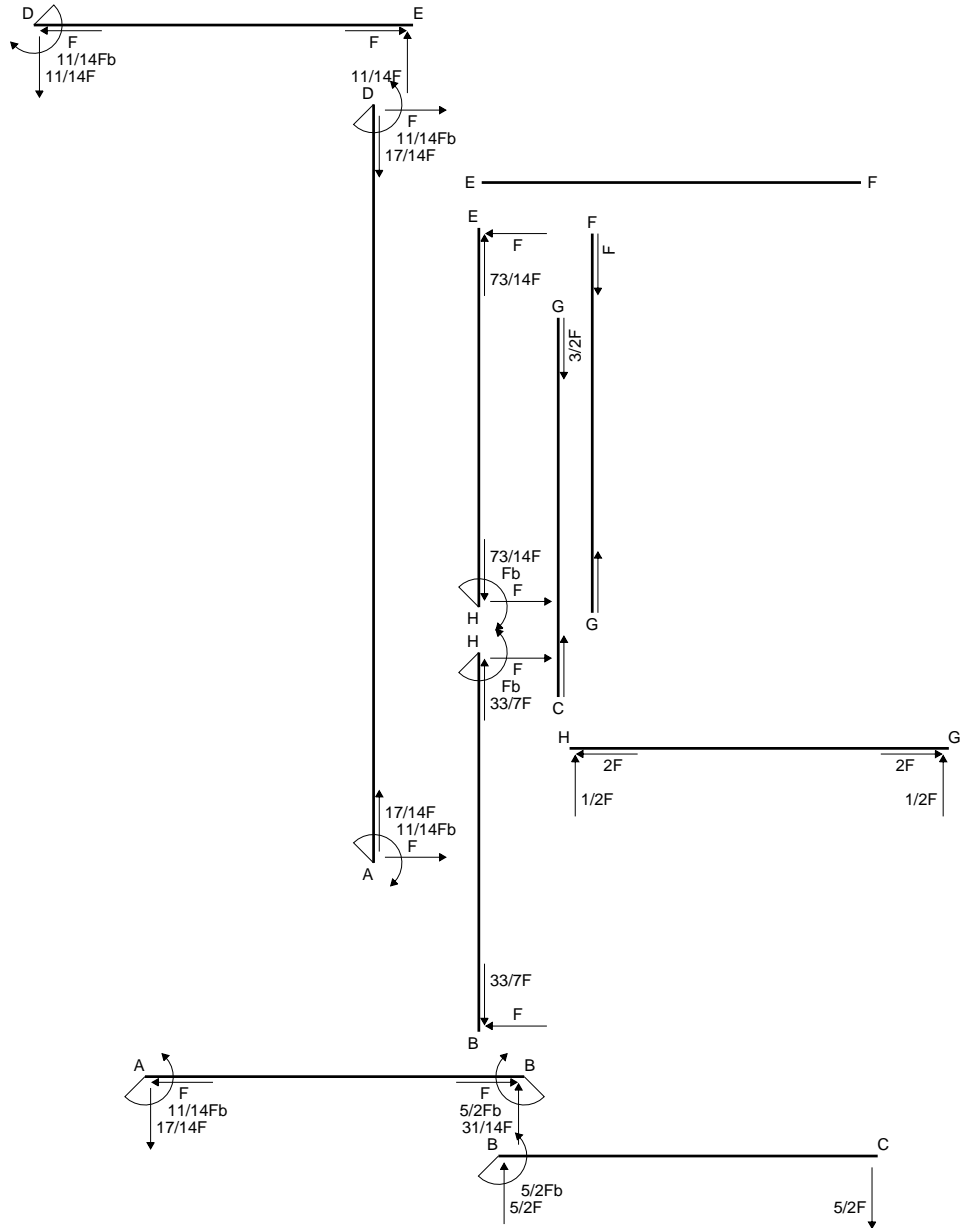
$$= (5/4 b - b + 1/8 b) \cdot Fb \cdot 1/EJ + 1 \cdot 0 \cdot 1/4 \cdot Fb^2/EJ = 3/8 \cdot Fb^2/EJ$$

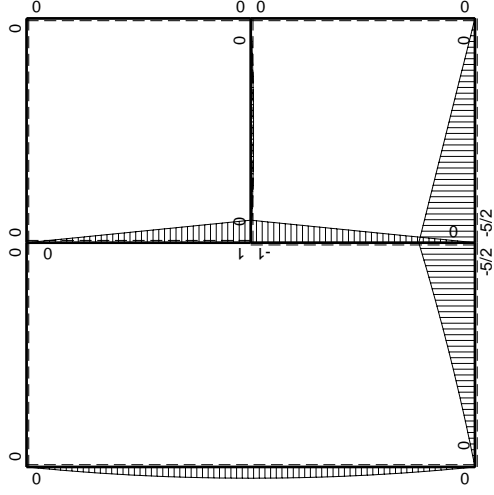
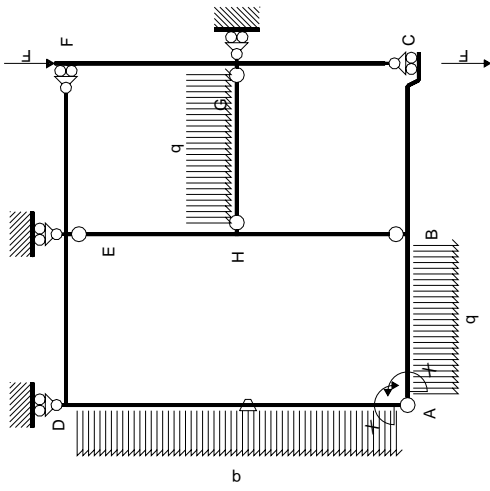
$$L_{AD}^{xo} = \int_0^{2b} (-x/b + 1/2 x^2/b^2) \cdot Fb \cdot 1/EJ \, dx = \left[-1/2 x^2/b + 1/6 x^3/b^2 \right]_0^{2b} \cdot Fb \cdot 1/EJ$$

$$= (-2b + 4/3 b) \cdot Fb \cdot 1/EJ = -2/3 \cdot Fb^2/EJ$$

$$L_{DA}^{xo} = \int_0^{2b} (-x/b + 1/2 x^2/b^2) \cdot Fb \cdot 1/EJ \, dx = \left[-1/2 x^2/b + 1/6 x^3/b^2 \right]_0^{2b} \cdot Fb \cdot 1/EJ$$

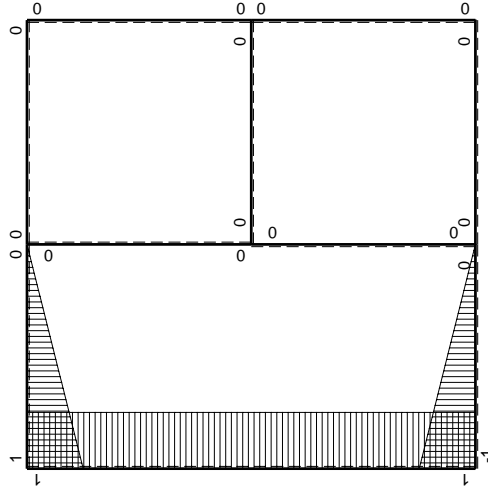
$$= (-2b + 4/3 b) \cdot Fb \cdot 1/EJ = -2/3 \cdot Fb^2/EJ$$





Schema di calcolo iperstatico

M_0 flessione da carichi assegnati



M_x flessione da iperstatica $X=1$

Quadro contributi PLV per iperstatica $X=W_{AB}$

→	$M_x(x)$	$M_o(x)$	θ	$M_x M_o$	$M_x \theta$	$M_x M_x$	$\int M_x(M_o/EJ+\theta)dx$	$\int X M_x M_x/EJ dx$	
AB b	$-1+x/b$	$-2Fx-1/2qx^2$	0	$2Fx-3/2Fx^2/b-1/2qx^3/b$	0	$1-2x/b+x^2/b^2$	$(3/8+0)Fb^2/EJ$	$1/3Xb/EJ$	
BA b	x/b	$5/2Fb-3Fx+1/2qx^2$	0	$5/2Fx-3Fx^2/b+1/2qx^3/b$	0	x^2/b^2			
BC b	0	$-5/2Fb+5/2Fx$	0	0	0	0	0+0	0	
CB b	0	$5/2Fx$	0	0	0	0			
AD 2b	1	$-Fx+1/2qx^2$	$-Fb/EJ$	$-Fx+1/2Fx^2/b$	$-Fb/EJ$	1	$(-2/3-2)Fb^2/EJ$	$2Xb/EJ$	
DA 2b	-1	$Fx-1/2qx^2$	Fb/EJ	$-Fx+1/2Fx^2/b$	$-Fb/EJ$	1			
DE b	$1-x/b$	0	0	0	0	$1-2x/b+x^2/b^2$	0+0	$1/3Xb/EJ$	
ED b	$-x/b$	0	0	0	0	x^2/b^2			
EF b	0	0	0	0	0	0	0+0	0	
FE b	0	0	0	0	0	0			
FG b	0	0	0	0	0	0	0+0	0	
GF b	0	0	0	0	0	0			
GC b	0	0	0	0	0	0	0+0	0	
CG b	0	0	0	0	0	0			
HG b	0	$1/2Fx-1/2qx^2$	0	0	0	0	0+0	0	
GH b	0	$-1/2Fx+1/2qx^2$	0	0	0	0			
HB b	0	$-Fb+Fx$	0	0	0	0	0+0	0	
BH b	0	Fx	0	0	0	0			
HE b	0	$Fb-Fx$	0	0	0	0	0+0	0	
EH b	0	$-Fx$	0	0	0	0			
AB	molla asta $-W_{1AB}(W_{0AB}+XW_{1AB})/k_{AB}$								$1/4Xb/EJ$
	totali							$-55/24Fb^2/EJ$	$35/12Xb/EJ$
	iperstatica $X=W_{AB}$							$11/14Fb$	

Sviluppi di calcolo iperstatica

$$L_{AB}^{xx} = \int_0^b (1 - 2x/b + x^2/b^2) \frac{1}{EJ} dx + 1 \cdot 1 \cdot \frac{1}{4} \frac{b}{EJ} = \left[x - x^2/b + 1/3 x^3/b^2 \right]_0^b \frac{1}{EJ} + 1 \cdot 1 \cdot \frac{1}{4} \frac{b}{EJ}$$

$$= (b - b + 1/3 b) \frac{1}{EJ} + 1 \cdot 1 \cdot \frac{1}{4} \frac{b}{EJ} = 7/12 \frac{b}{EJ}$$

$$L_{BA}^{xx} = \int_0^b (x^2/b^2) \frac{1}{EJ} dx + 1 \cdot 1 \cdot \frac{1}{4} \frac{b}{EJ} = \left[1/3 x^3/b^2 \right]_0^b \frac{1}{EJ} + 1 \cdot 1 \cdot \frac{1}{4} \frac{b}{EJ}$$

$$= (1/3 b) \frac{1}{EJ} + 1 \cdot 1 \cdot \frac{1}{4} \frac{b}{EJ} = 7/12 \frac{b}{EJ}$$

$$L_{AD}^{xx} = \int_0^{2b} (1) \frac{1}{EJ} dx = \left[x \right]_0^{2b} \frac{1}{EJ}$$

$$= (2b) \frac{1}{EJ} = 2 \frac{b}{EJ}$$

$$L_{DA}^{xx} = \int_0^{2b} (1) \frac{1}{EJ} dx = \left[x \right]_0^{2b} \frac{1}{EJ}$$

$$= (2b) \frac{1}{EJ} = 2 \frac{b}{EJ}$$

$$L_{DE}^{xx} = \int_0^b (1 - 2x/b + x^2/b^2) \frac{1}{EJ} dx = \left[x - x^2/b + 1/3 x^3/b^2 \right]_0^b \frac{1}{EJ}$$

$$= (b - b + 1/3 b) \frac{1}{EJ} = 1/3 \frac{b}{EJ}$$

$$L_{ED}^{xx} = \int_0^b (x^2/b^2) \frac{1}{EJ} dx = \left[1/3 x^3/b^2 \right]_0^b \frac{1}{EJ}$$

$$= (1/3 b) \frac{1}{EJ} = 1/3 \frac{b}{EJ}$$

$$L_{AB}^{xo} = \int_0^b (2x/b - 3/2 x^2/b^2 - 1/2 x^3/b^3) Fb \frac{1}{EJ} dx + 1 \cdot 0 \cdot \frac{1}{4} \frac{Fb^2}{EJ}$$

$$= \left[x^2/b - 1/2 x^3/b^2 - 1/8 x^4/b^3 \right]_0^b Fb \frac{1}{EJ} + 1 \cdot 0 \cdot \frac{1}{4} \frac{Fb^2}{EJ}$$

$$= (b - 1/2 b - 1/8 b) Fb \frac{1}{EJ} + 1 \cdot 0 \cdot \frac{1}{4} \frac{Fb^2}{EJ} = 3/8 \frac{Fb^2}{EJ}$$

$$L_{BA}^{xo} = \int_0^b (5/2 x/b - 3 x^2/b^2 + 1/2 x^3/b^3) Fb \frac{1}{EJ} dx + 1 \cdot 0 \cdot \frac{1}{4} \frac{Fb^2}{EJ}$$

$$= \left[5/4 x^2/b - x^3/b^2 + 1/8 x^4/b^3 \right]_0^b Fb \frac{1}{EJ} + 1 \cdot 0 \cdot \frac{1}{4} \frac{Fb^2}{EJ}$$

$$= (5/4 b - b + 1/8 b) Fb \frac{1}{EJ} + 1 \cdot 0 \cdot \frac{1}{4} \frac{Fb^2}{EJ} = 3/8 \frac{Fb^2}{EJ}$$

$$L_{AD}^{xo} = \int_0^{2b} (-x/b + 1/2 x^2/b^2) Fb \frac{1}{EJ} dx + \int_0^{2b} (-1) \theta dx$$

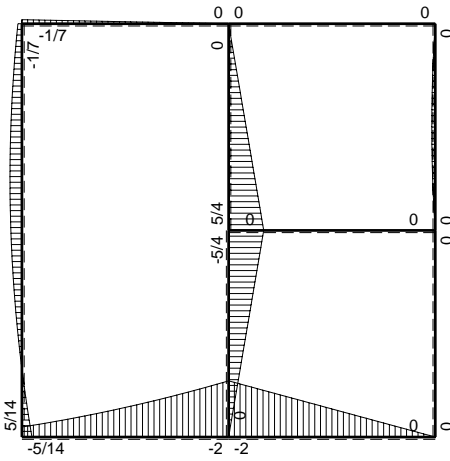
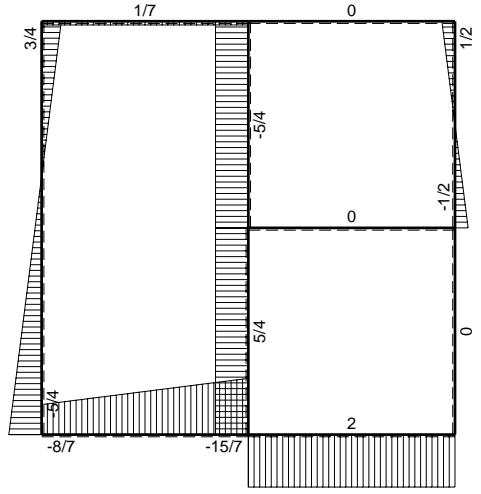
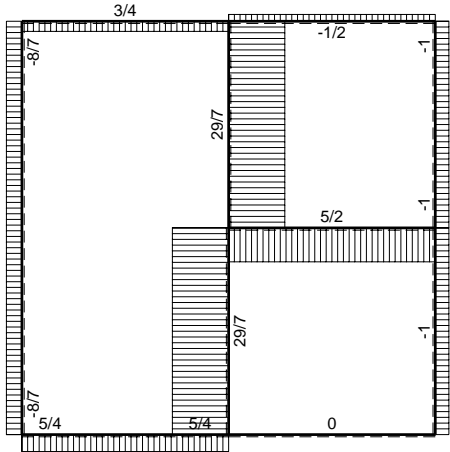
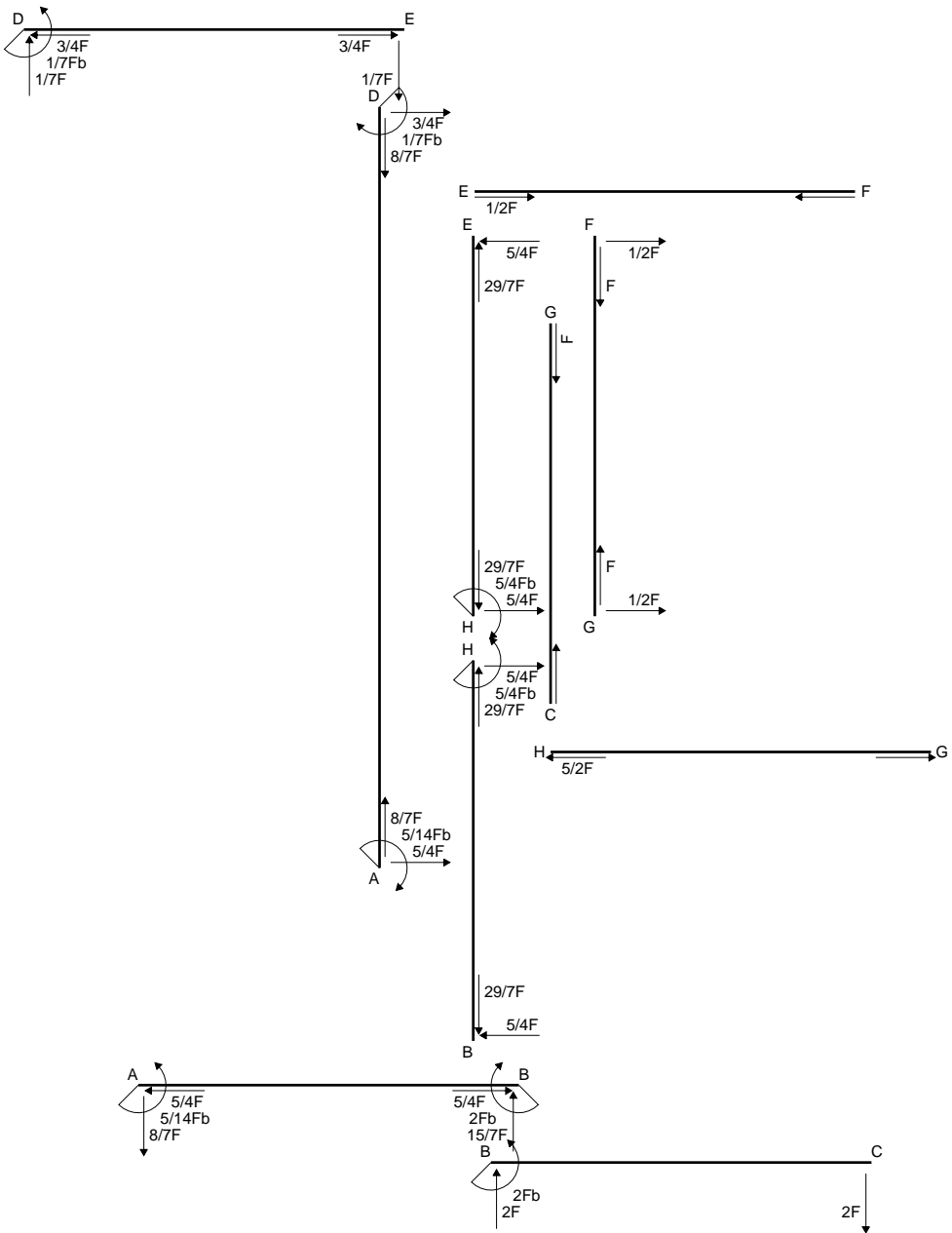
$$= \left[-1/2 x^2/b + 1/6 x^3/b^2 \right]_0^{2b} Fb \frac{1}{EJ} + \left[-x \right]_0^{2b} \theta$$

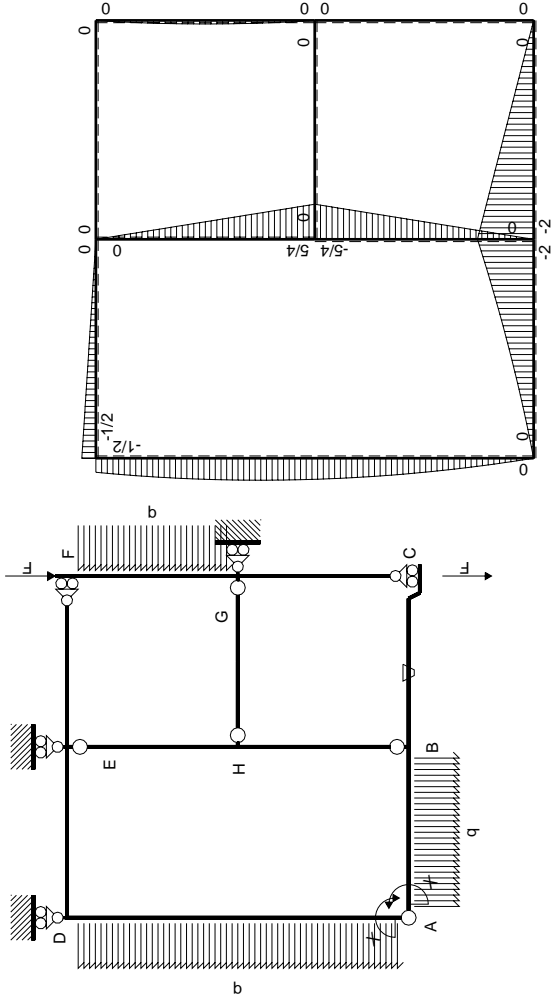
$$= (-2b + 4/3 b) Fb \frac{1}{EJ} + (-2b) \theta = -8/3 \frac{Fb^2}{EJ}$$

$$L_{DA}^{xo} = \int_0^{2b} (-x/b + 1/2 x^2/b^2) Fb \frac{1}{EJ} dx + \int_0^{2b} (1) \theta dx$$

$$= \left[-1/2 x^2/b + 1/6 x^3/b^2 \right]_0^{2b} Fb \frac{1}{EJ} + \left[x \right]_0^{2b} \theta$$

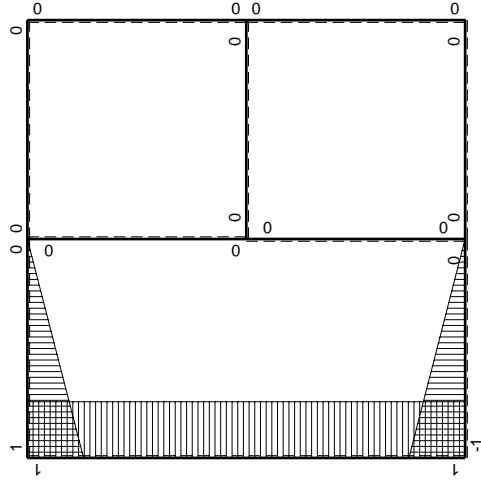
$$= (-2b + 4/3 b) Fb \frac{1}{EJ} + (2b) \theta = -8/3 \frac{Fb^2}{EJ}$$





Schema di calcolo iperstatico

M_0 flessione da carichi assegnati



M_x flessione da iperstatica $X=1$

Quadro contributi PLV per iperstatica $X=W_{AB}$

→	$M_x(x)$	$M_o(x)$	θ	$M_x M_o$	$M_x \theta$	$M_x M_x$	$\int M_x(M_o/EJ+\theta)dx$	$\int X M_x M_x/EJ dx$
AB b	$-1+x/b$	$-3/2Fx-1/2qx^2$	0	$3/2Fx-Fx^2/b-1/2qx^3/b$	0	$1-2x/b+x^2/b^2$	$(7/24+0)Fb^2/EJ$	$1/3Xb/EJ$
BA b	x/b	$2Fb-5/2Fx+1/2qx^2$	0	$2Fx-5/2Fx^2/b+1/2qx^3/b$	0	x^2/b^2		
BC b	0	$-2Fb+2Fx$	$-Fb/EJ$	0	0	0	0+0	0
CB b	0	$2Fx$	Fb/EJ	0	0	0		
AD 2b	1	$-5/4Fx+1/2qx^2$	0	$-5/4Fx+1/2Fx^2/b$	0	1	$(-7/6+0)Fb^2/EJ$	$2Xb/EJ$
DA 2b	-1	$1/2Fb+3/4Fx-1/2qx^2$	0	$-1/2Fb-3/4Fx+1/2Fx^2/b$	0	1		
DE b	$1-x/b$	$-1/2Fb+1/2Fx$	0	$-1/2Fb+Fx-1/2Fx^2/b$	0	$1-2x/b+x^2/b^2$	$(-1/6+0)Fb^2/EJ$	$1/3Xb/EJ$
ED b	$-x/b$	$1/2Fx$	0	$-1/2Fx^2/b$	0	x^2/b^2		
EF b	0	0	0	0	0	0	0+0	0
FE b	0	0	0	0	0	0		
FG b	0	$1/2Fx-1/2qx^2$	0	0	0	0	0+0	0
GF b	0	$-1/2Fx+1/2qx^2$	0	0	0	0		
GC b	0	0	0	0	0	0	0+0	0
CG b	0	0	0	0	0	0		
HG b	0	0	0	0	0	0	0+0	0
GH b	0	0	0	0	0	0		
HB b	0	$-5/4Fb+5/4Fx$	0	0	0	0	0+0	0
BH b	0	$5/4Fx$	0	0	0	0		
HE b	0	$5/4Fb-5/4Fx$	0	0	0	0	0+0	0
EH b	0	$-5/4Fx$	0	0	0	0		
AB	molla asta $-W_{1AB}(W_{0AB}+XW_{1AB})/k_{AB}$							$1/4Xb/EJ$
	totali						$-25/24Fb^2/EJ$	$35/12Xb/EJ$
	iperstatica $X=W_{AB}$						$5/14Fb$	

Sviluppi di calcolo iperstatica

$$L_{AB}^{xx} = \int_0^b (1 - 2x/b + x^2/b^2) \cdot 1/EJ \, dx + 1 \cdot 1/4 \cdot b/EJ = \left[x - x^2/b + 1/3 x^3/b^2 \right]_0^b \cdot 1/EJ + 1 \cdot 1/4 \cdot b/EJ$$

$$= (b - b + 1/3 b) \cdot 1/EJ + 1 \cdot 1/4 \cdot b/EJ = 7/12 \cdot b/EJ$$

$$L_{BA}^{xx} = \int_0^b (x^2/b^2) \cdot 1/EJ \, dx + 1 \cdot 1/4 \cdot b/EJ = \left[1/3 x^3/b^2 \right]_0^b \cdot 1/EJ + 1 \cdot 1/4 \cdot b/EJ$$

$$= (1/3 b) \cdot 1/EJ + 1 \cdot 1/4 \cdot b/EJ = 7/12 \cdot b/EJ$$

$$L_{AD}^{xx} = \int_0^{2b} (1) \cdot 1/EJ \, dx = \left[x \right]_0^{2b} \cdot 1/EJ$$

$$= (2b) \cdot 1/EJ = 2 \cdot b/EJ$$

$$L_{DA}^{xx} = \int_0^{2b} (1) \cdot 1/EJ \, dx = \left[x \right]_0^{2b} \cdot 1/EJ$$

$$= (2b) \cdot 1/EJ = 2 \cdot b/EJ$$

$$L_{DE}^{xx} = \int_0^b (1 - 2x/b + x^2/b^2) \cdot 1/EJ \, dx = \left[x - x^2/b + 1/3 x^3/b^2 \right]_0^b \cdot 1/EJ$$

$$= (b - b + 1/3 b) \cdot 1/EJ = 1/3 \cdot b/EJ$$

$$L_{ED}^{xx} = \int_0^b (x^2/b^2) \cdot 1/EJ \, dx = \left[1/3 x^3/b^2 \right]_0^b \cdot 1/EJ$$

$$= (1/3 b) \cdot 1/EJ = 1/3 \cdot b/EJ$$

$$L_{AB}^{xo} = \int_0^b (3/2 x/b - x^2/b^2 - 1/2 x^3/b^3) \cdot Fb \cdot 1/EJ \, dx + 1 \cdot 0 \cdot 1/4 \cdot Fb^2/EJ$$

$$= \left[3/4 x^2/b - 1/3 x^3/b^2 - 1/8 x^4/b^3 \right]_0^b \cdot Fb \cdot 1/EJ + 1 \cdot 0 \cdot 1/4 \cdot Fb^2/EJ$$

$$= (3/4 b - 1/3 b - 1/8 b) \cdot Fb \cdot 1/EJ + 1 \cdot 0 \cdot 1/4 \cdot Fb^2/EJ = 7/24 \cdot Fb^2/EJ$$

$$L_{BA}^{xo} = \int_0^b (2x/b - 5/2 x^2/b^2 + 1/2 x^3/b^3) \cdot Fb \cdot 1/EJ \, dx + 1 \cdot 0 \cdot 1/4 \cdot Fb^2/EJ$$

$$= \left[x^2/b - 5/6 x^3/b^2 + 1/8 x^4/b^3 \right]_0^b \cdot Fb \cdot 1/EJ + 1 \cdot 0 \cdot 1/4 \cdot Fb^2/EJ$$

$$= (b - 5/6 b + 1/8 b) \cdot Fb \cdot 1/EJ + 1 \cdot 0 \cdot 1/4 \cdot Fb^2/EJ = 7/24 \cdot Fb^2/EJ$$

$$L_{AD}^{xo} = \int_0^{2b} (-5/4 x/b + 1/2 x^2/b^2) \cdot Fb \cdot 1/EJ \, dx = \left[-5/8 x^2/b + 1/6 x^3/b^2 \right]_0^{2b} \cdot Fb \cdot 1/EJ$$

$$= (-5/2 b + 4/3 b) \cdot Fb \cdot 1/EJ = -7/6 \cdot Fb^2/EJ$$

$$L_{DA}^{xo} = \int_0^{2b} (-1/2 - 3/4 x/b + 1/2 x^2/b^2) \cdot Fb \cdot 1/EJ \, dx = \left[-1/2 x - 3/8 x^2/b + 1/6 x^3/b^2 \right]_0^{2b} \cdot Fb \cdot 1/EJ$$

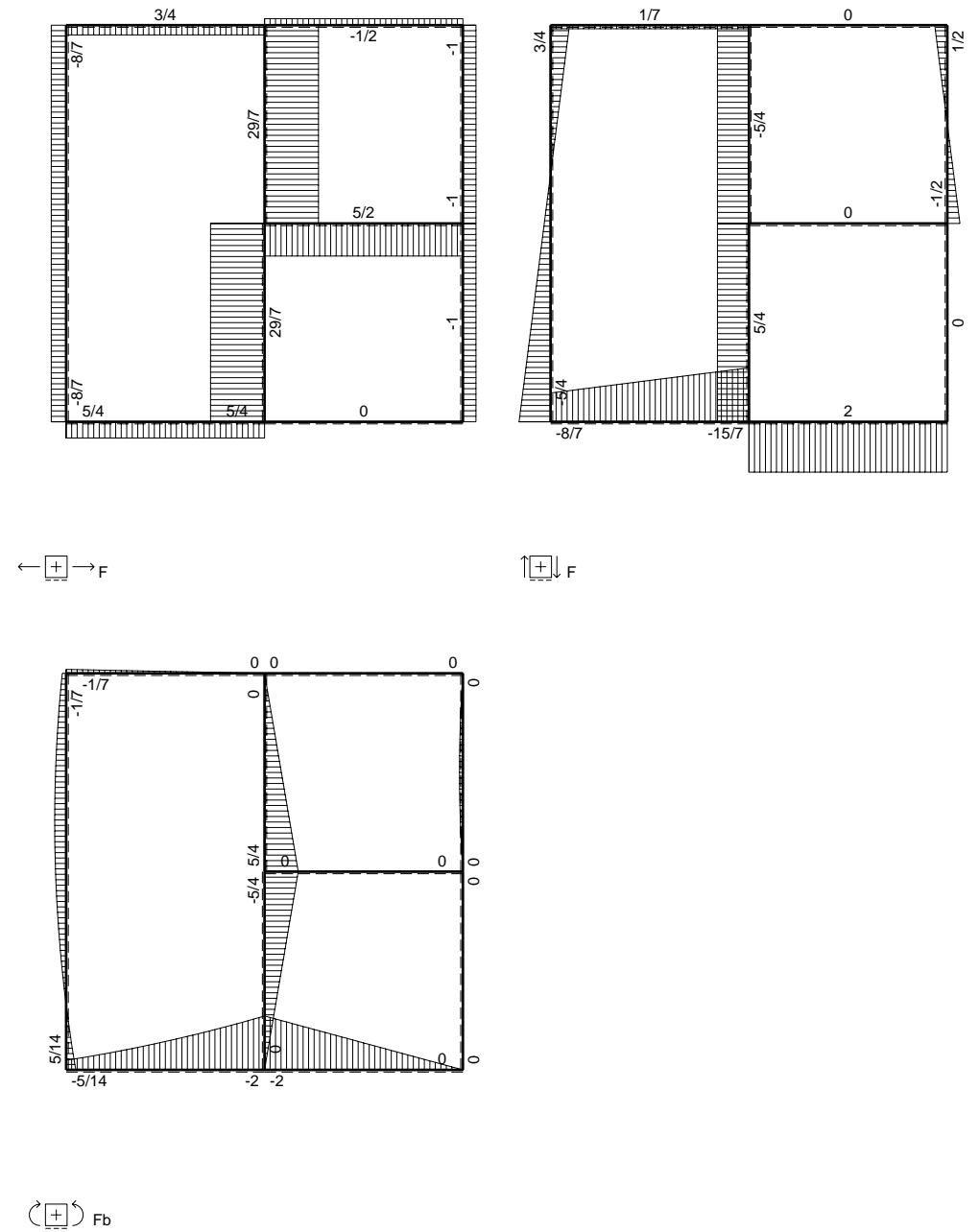
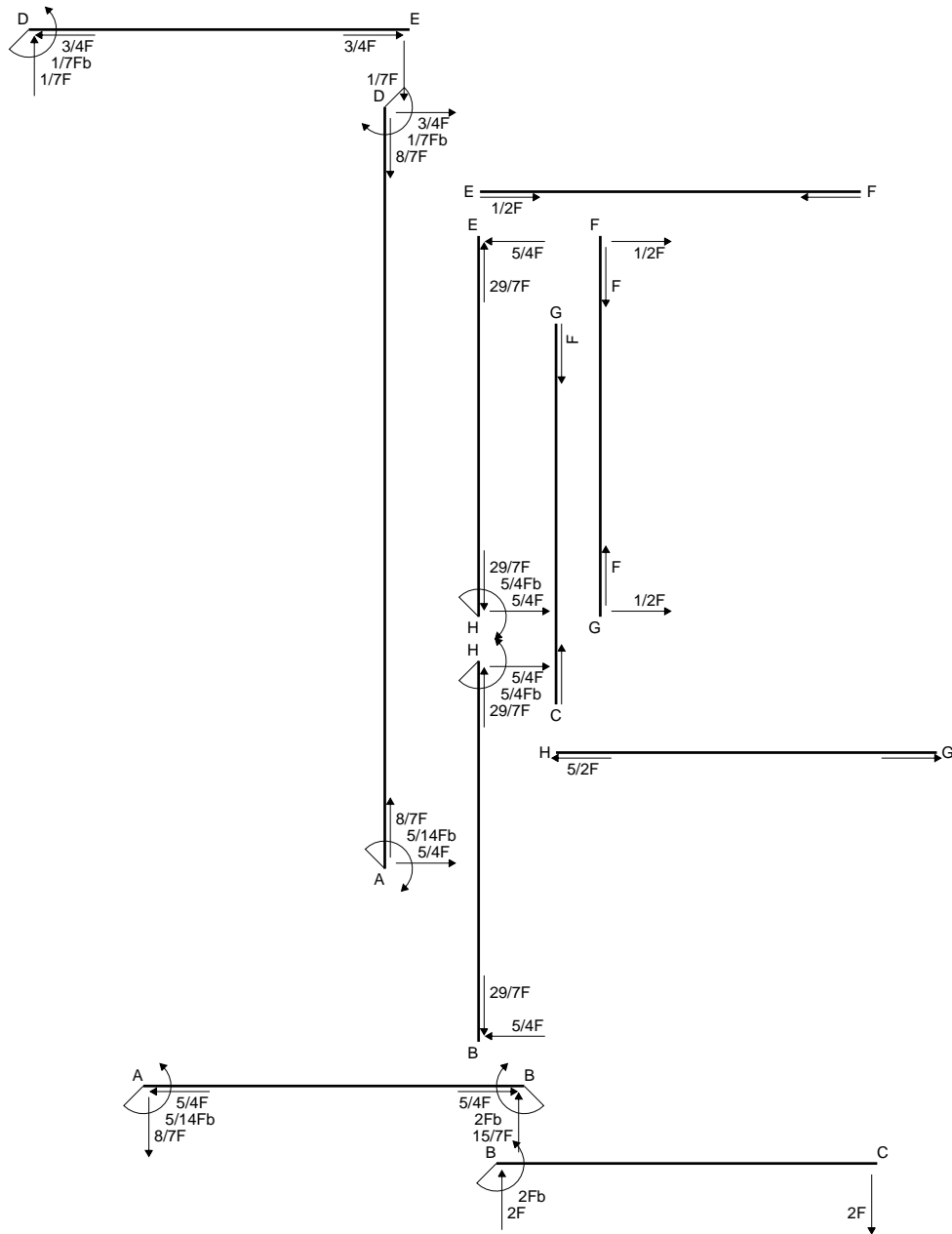
$$= (-b - 3/2 b + 4/3 b) \cdot Fb \cdot 1/EJ = -7/6 \cdot Fb^2/EJ$$

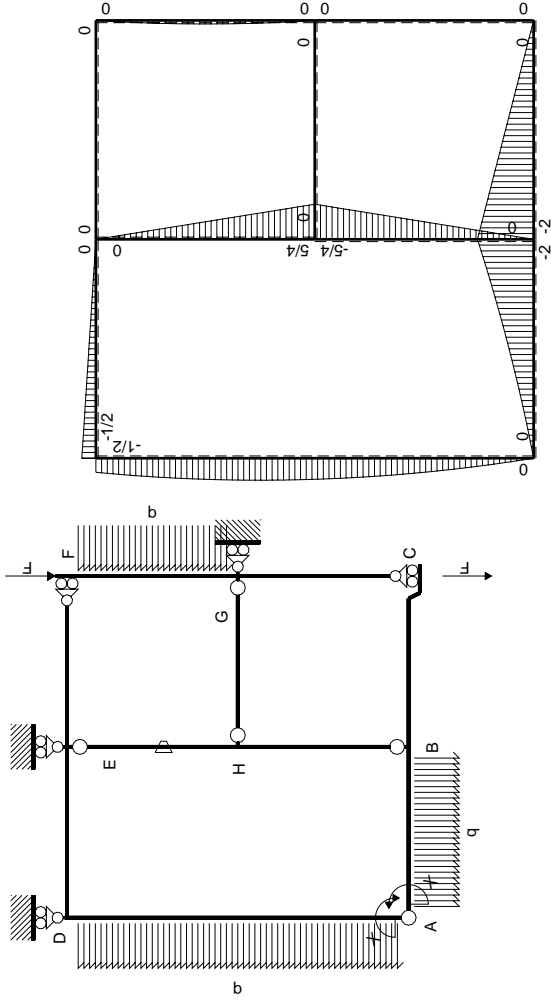
$$L_{DE}^{xo} = \int_0^b (-1/2 + x/b - 1/2 x^2/b^2) \cdot Fb \cdot 1/EJ \, dx = \left[-1/2 x + 1/2 x^2/b - 1/6 x^3/b^2 \right]_0^b \cdot Fb \cdot 1/EJ$$

$$= (-1/2 b + 1/2 b - 1/6 b) \cdot Fb \cdot 1/EJ = -1/6 \cdot Fb^2/EJ$$

$$L_{ED}^{xo} = \int_0^b (-1/2 x^2/b^2) \cdot Fb \cdot 1/EJ \, dx = \left[-1/6 x^3/b^2 \right]_0^b \cdot Fb \cdot 1/EJ$$

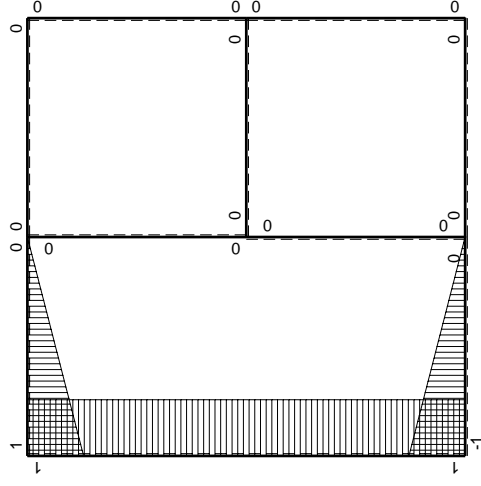
$$= (-1/6 b) \cdot Fb \cdot 1/EJ = -1/6 \cdot Fb^2/EJ$$





Schema di calcolo iperstatico

M_0 flessione da carichi assegnati



M_1 flessione da iperstatica $X=1$

Quadro contributi PLV per iperstatica $X=W_{AB}$

→	$M_x(x)$	$M_o(x)$	θ	$M_x M_o$	$M_x \theta$	$M_x M_x$	$\int M_x(M_o/EJ+\theta)dx$	$\int X M_x M_x/EJ dx$
AB b	$-1+x/b$	$-3/2Fx-1/2qx^2$	0	$3/2Fx-Fx^2/b-1/2qx^3/b$	0	$1-2x/b+x^2/b^2$	$(7/24+0)Fb^2/EJ$	$1/3Xb/EJ$
BA b	x/b	$2Fb-5/2Fx+1/2qx^2$	0	$2Fx-5/2Fx^2/b+1/2qx^3/b$	0	x^2/b^2		
BC b	0	$-2Fb+2Fx$	0	0	0	0	0+0	0
CB b	0	$2Fx$	0	0	0	0		
AD 2b	1	$-5/4Fx+1/2qx^2$	0	$-5/4Fx+1/2Fx^2/b$	0	1	$(-7/6+0)Fb^2/EJ$	$2Xb/EJ$
DA 2b	-1	$1/2Fb+3/4Fx-1/2qx^2$	0	$-1/2Fb-3/4Fx+1/2Fx^2/b$	0	1		
DE b	$1-x/b$	$-1/2Fb+1/2Fx$	0	$-1/2Fb+Fx-1/2Fx^2/b$	0	$1-2x/b+x^2/b^2$	$(-1/6+0)Fb^2/EJ$	$1/3Xb/EJ$
ED b	$-x/b$	$1/2Fx$	0	$-1/2Fx^2/b$	0	x^2/b^2		
EF b	0	0	0	0	0	0	0+0	0
FE b	0	0	0	0	0	0		
FG b	0	$1/2Fx-1/2qx^2$	0	0	0	0	0+0	0
GF b	0	$-1/2Fx+1/2qx^2$	0	0	0	0		
GC b	0	0	0	0	0	0	0+0	0
CG b	0	0	0	0	0	0		
HG b	0	0	0	0	0	0	0+0	0
GH b	0	0	0	0	0	0		
HB b	0	$-5/4Fb+5/4Fx$	0	0	0	0	0+0	0
BH b	0	$5/4Fx$	0	0	0	0		
HE b	0	$5/4Fb-5/4Fx$	$-Fb/EJ$	0	0	0	0+0	0
EH b	0	$-5/4Fx$	Fb/EJ	0	0	0		
AB	molla asta $-W_{1AB}(W_{0AB}+XW_{1AB})/k_{AB}$							$1/4Xb/EJ$
	totali						$-25/24Fb^2/EJ$	$35/12Xb/EJ$
	iperstatica $X=W_{AB}$						$5/14Fb$	

Sviluppi di calcolo iperstatica

$$L_{AB}^{xx} = \int_0^b (1 - 2x/b + x^2/b^2) \cdot 1/EJ \, dx + 1 \cdot 1/4 \cdot b/EJ = \left[x - x^2/b + 1/3 x^3/b^2 \right]_0^b \cdot 1/EJ + 1 \cdot 1/4 \cdot b/EJ$$

$$= (b - b + 1/3 b) \cdot 1/EJ + 1 \cdot 1/4 \cdot b/EJ = 7/12 \cdot b/EJ$$

$$L_{BA}^{xx} = \int_0^b (x^2/b^2) \cdot 1/EJ \, dx + 1 \cdot 1/4 \cdot b/EJ = \left[1/3 x^3/b^2 \right]_0^b \cdot 1/EJ + 1 \cdot 1/4 \cdot b/EJ$$

$$= (1/3 b) \cdot 1/EJ + 1 \cdot 1/4 \cdot b/EJ = 7/12 \cdot b/EJ$$

$$L_{AD}^{xx} = \int_0^{2b} (1) \cdot 1/EJ \, dx = \left[x \right]_0^{2b} \cdot 1/EJ$$

$$= (2b) \cdot 1/EJ = 2 \cdot b/EJ$$

$$L_{DA}^{xx} = \int_0^{2b} (1) \cdot 1/EJ \, dx = \left[x \right]_0^{2b} \cdot 1/EJ$$

$$= (2b) \cdot 1/EJ = 2 \cdot b/EJ$$

$$L_{DE}^{xx} = \int_0^b (1 - 2x/b + x^2/b^2) \cdot 1/EJ \, dx = \left[x - x^2/b + 1/3 x^3/b^2 \right]_0^b \cdot 1/EJ$$

$$= (b - b + 1/3 b) \cdot 1/EJ = 1/3 \cdot b/EJ$$

$$L_{ED}^{xx} = \int_0^b (x^2/b^2) \cdot 1/EJ \, dx = \left[1/3 x^3/b^2 \right]_0^b \cdot 1/EJ$$

$$= (1/3 b) \cdot 1/EJ = 1/3 \cdot b/EJ$$

$$L_{AB}^{xo} = \int_0^b (3/2 x/b - x^2/b^2 - 1/2 x^3/b^3) \cdot Fb \cdot 1/EJ \, dx + 1 \cdot 0 \cdot 1/4 \cdot Fb^2/EJ$$

$$= \left[3/4 x^2/b - 1/3 x^3/b^2 - 1/8 x^4/b^3 \right]_0^b \cdot Fb \cdot 1/EJ + 1 \cdot 0 \cdot 1/4 \cdot Fb^2/EJ$$

$$= (3/4 b - 1/3 b - 1/8 b) \cdot Fb \cdot 1/EJ + 1 \cdot 0 \cdot 1/4 \cdot Fb^2/EJ = 7/24 \cdot Fb^2/EJ$$

$$L_{BA}^{xo} = \int_0^b (2x/b - 5/2 x^2/b^2 + 1/2 x^3/b^3) \cdot Fb \cdot 1/EJ \, dx + 1 \cdot 0 \cdot 1/4 \cdot Fb^2/EJ$$

$$= \left[x^2/b - 5/6 x^3/b^2 + 1/8 x^4/b^3 \right]_0^b \cdot Fb \cdot 1/EJ + 1 \cdot 0 \cdot 1/4 \cdot Fb^2/EJ$$

$$= (b - 5/6 b + 1/8 b) \cdot Fb \cdot 1/EJ + 1 \cdot 0 \cdot 1/4 \cdot Fb^2/EJ = 7/24 \cdot Fb^2/EJ$$

$$L_{AD}^{xo} = \int_0^{2b} (-5/4 x/b + 1/2 x^2/b^2) \cdot Fb \cdot 1/EJ \, dx = \left[-5/8 x^2/b + 1/6 x^3/b^2 \right]_0^{2b} \cdot Fb \cdot 1/EJ$$

$$= (-5/2 b + 4/3 b) \cdot Fb \cdot 1/EJ = -7/6 \cdot Fb^2/EJ$$

$$L_{DA}^{xo} = \int_0^{2b} (-1/2 - 3/4 x/b + 1/2 x^2/b^2) \cdot Fb \cdot 1/EJ \, dx = \left[-1/2 x - 3/8 x^2/b + 1/6 x^3/b^2 \right]_0^{2b} \cdot Fb \cdot 1/EJ$$

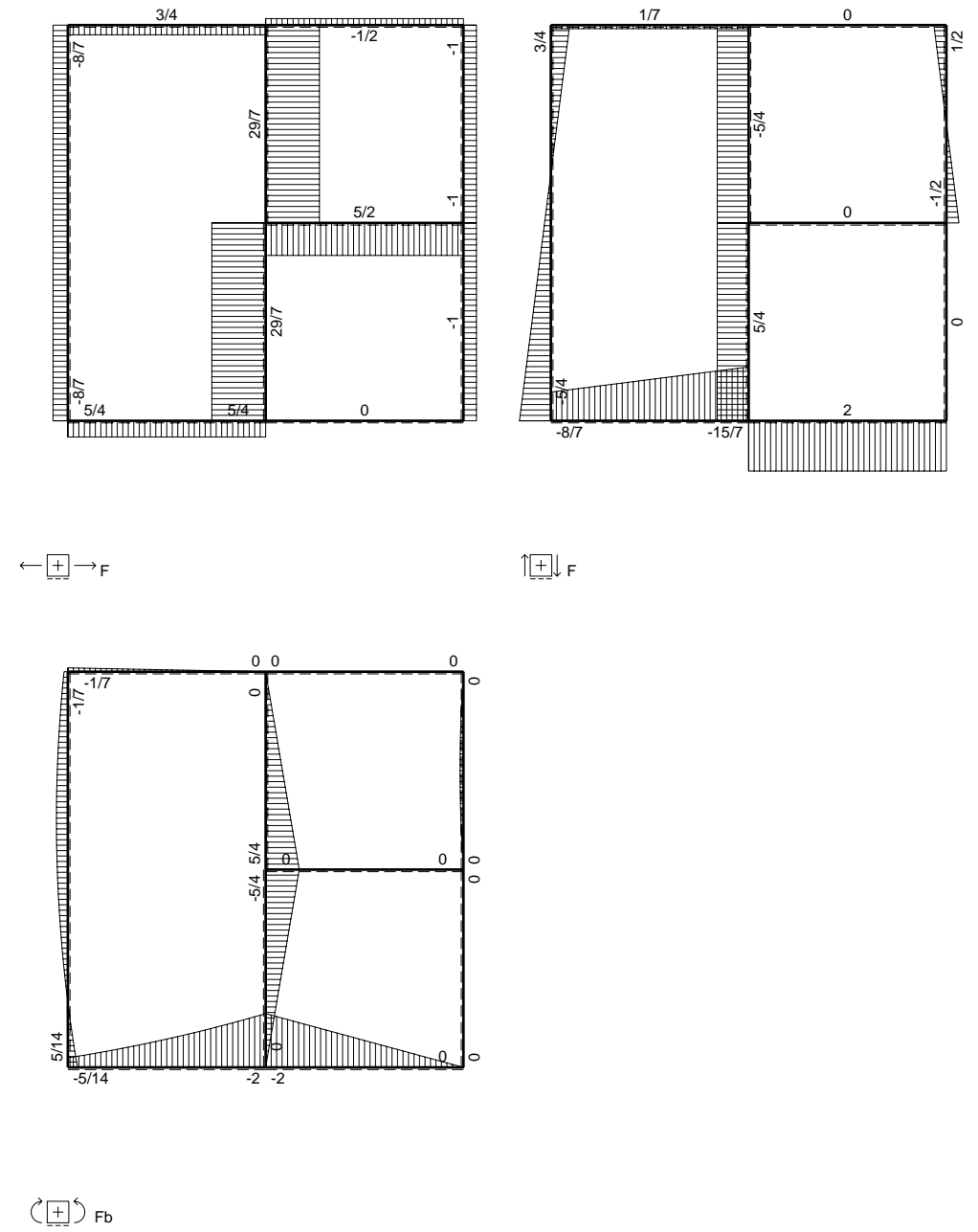
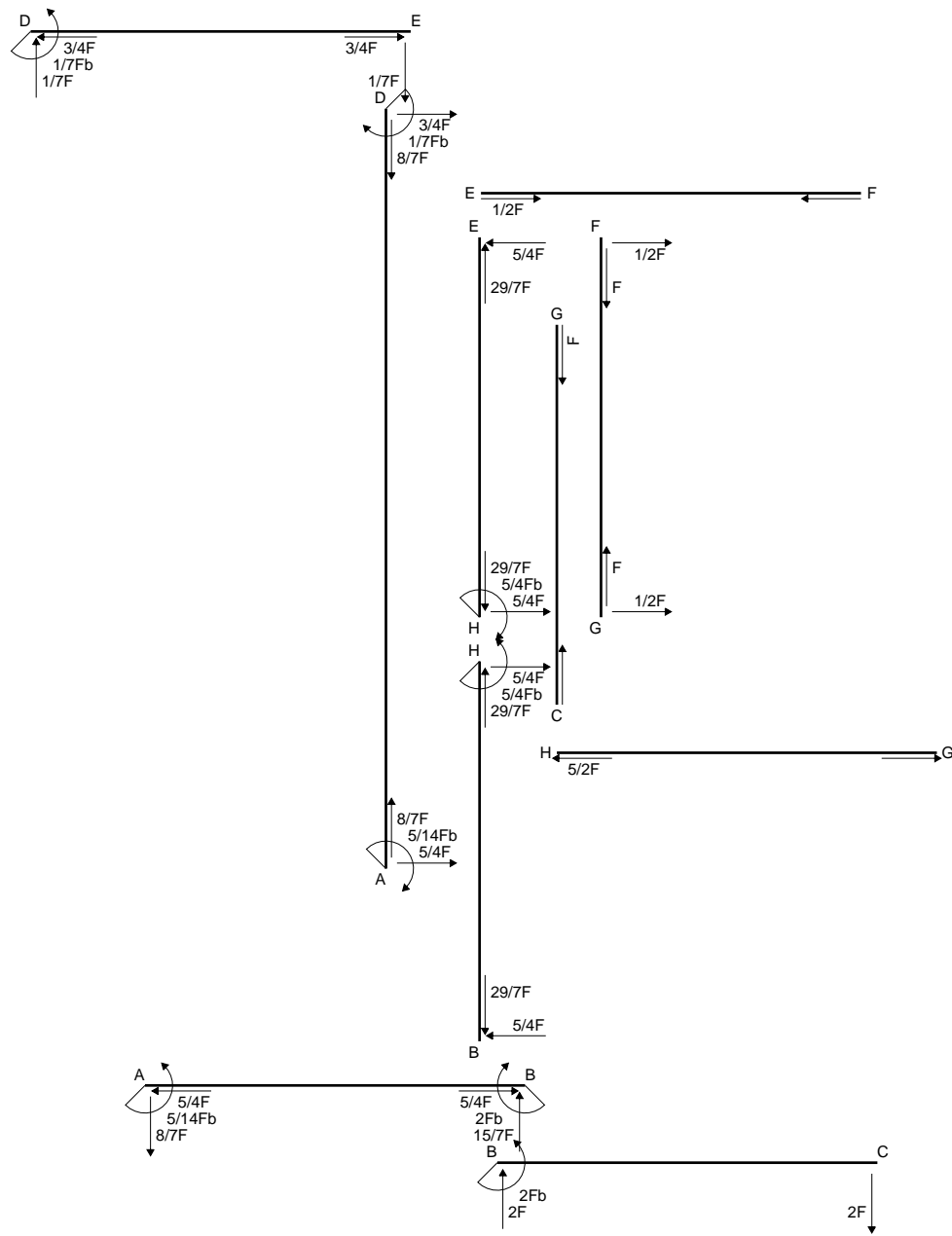
$$= (-b - 3/2 b + 4/3 b) \cdot Fb \cdot 1/EJ = -7/6 \cdot Fb^2/EJ$$

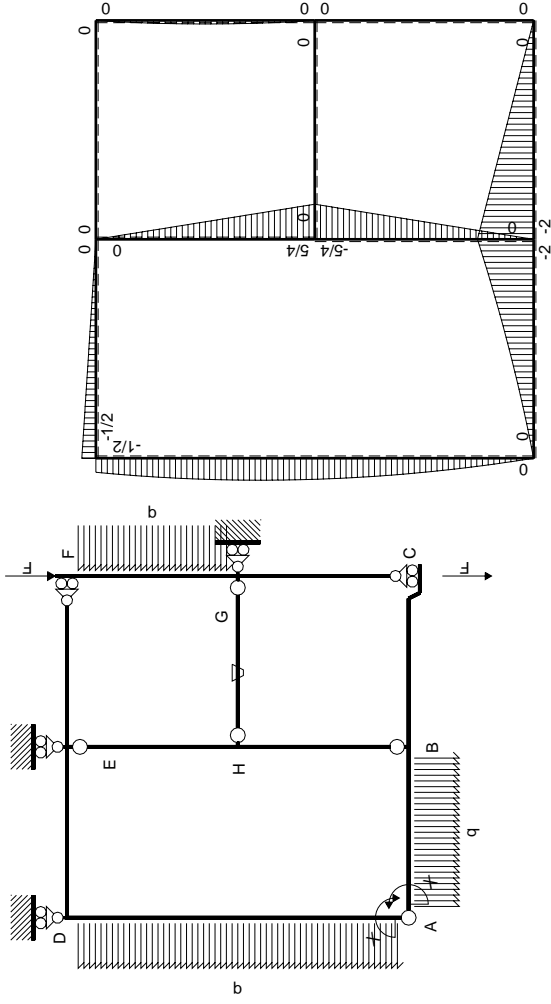
$$L_{DE}^{xo} = \int_0^b (-1/2 + x/b - 1/2 x^2/b^2) \cdot Fb \cdot 1/EJ \, dx = \left[-1/2 x + 1/2 x^2/b - 1/6 x^3/b^2 \right]_0^b \cdot Fb \cdot 1/EJ$$

$$= (-1/2 b + 1/2 b - 1/6 b) \cdot Fb \cdot 1/EJ = -1/6 \cdot Fb^2/EJ$$

$$L_{ED}^{xo} = \int_0^b (-1/2 x^2/b^2) \cdot Fb \cdot 1/EJ \, dx = \left[-1/6 x^3/b^2 \right]_0^b \cdot Fb \cdot 1/EJ$$

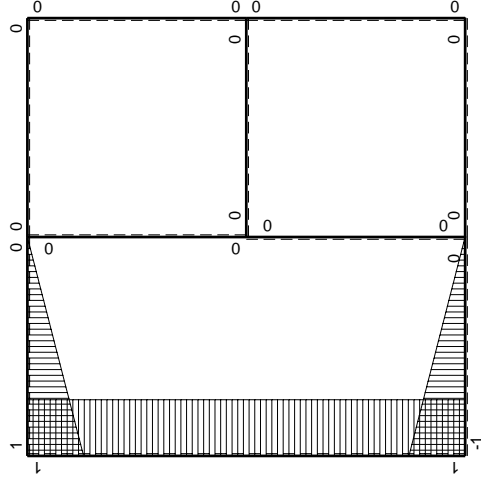
$$= (-1/6 b) \cdot Fb \cdot 1/EJ = -1/6 \cdot Fb^2/EJ$$





Schema di calcolo iperstatico

M_0 flessione da carichi assegnati



M_1 flessione da iperstatica $X=1$

Quadro contributi PLV per iperstatica $X=W_{AB}$

→	$M_x(x)$	$M_o(x)$	θ	$M_x M_o$	$M_x \theta$	$M_x M_x$	$\int M_x(M_o/EJ+\theta)dx$	$\int X M_x M_x/EJ dx$	
AB b	$-1+x/b$	$-3/2Fx-1/2qx^2$	0	$3/2Fx-Fx^2/b-1/2qx^3/b$	0	$1-2x/b+x^2/b^2$	$(7/24+0)Fb^2/EJ$	$1/3Xb/EJ$	
BA b	x/b	$2Fb-5/2Fx+1/2qx^2$	0	$2Fx-5/2Fx^2/b+1/2qx^3/b$	0	x^2/b^2			
BC b	0	$-2Fb+2Fx$	0	0	0	0	0+0	0	
CB b	0	$2Fx$	0	0	0	0			
AD 2b	1	$-5/4Fx+1/2qx^2$	0	$-5/4Fx+1/2Fx^2/b$	0	1	$(-7/6+0)Fb^2/EJ$	$2Xb/EJ$	
DA 2b	-1	$1/2Fb+3/4Fx-1/2qx^2$	0	$-1/2Fb-3/4Fx+1/2Fx^2/b$	0	1			
DE b	$1-x/b$	$-1/2Fb+1/2Fx$	0	$-1/2Fb+Fx-1/2Fx^2/b$	0	$1-2x/b+x^2/b^2$	$(-1/6+0)Fb^2/EJ$	$1/3Xb/EJ$	
ED b	$-x/b$	$1/2Fx$	0	$-1/2Fx^2/b$	0	x^2/b^2			
EF b	0	0	0	0	0	0	0+0	0	
FE b	0	0	0	0	0	0			
FG b	0	$1/2Fx-1/2qx^2$	0	0	0	0	0+0	0	
GF b	0	$-1/2Fx+1/2qx^2$	0	0	0	0			
GC b	0	0	0	0	0	0	0+0	0	
CG b	0	0	0	0	0	0			
HG b	0	0	$-Fb/EJ$	0	0	0	0+0	0	
GH b	0	0	Fb/EJ	0	0	0			
HB b	0	$-5/4Fb+5/4Fx$	0	0	0	0	0+0	0	
BH b	0	$5/4Fx$	0	0	0	0			
HE b	0	$5/4Fb-5/4Fx$	0	0	0	0	0+0	0	
EH b	0	$-5/4Fx$	0	0	0	0			
AB	molla asta $-W_{1AB}(W_{0AB}+XW_{1AB})/k_{AB}$								$1/4Xb/EJ$
	totali							$-25/24Fb^2/EJ$	$35/12Xb/EJ$
	iperstatica $X=W_{AB}$							$5/14Fb$	

Sviluppi di calcolo iperstatica

$$L_{AB}^{xx} = \int_0^b (1 - 2x/b + x^2/b^2) \cdot 1/EJ \, dx + 1 \cdot 1/4 \cdot b/EJ = \left[x - x^2/b + 1/3 x^3/b^2 \right]_0^b \cdot 1/EJ + 1 \cdot 1/4 \cdot b/EJ$$

$$= (b - b + 1/3 b) \cdot 1/EJ + 1 \cdot 1/4 \cdot b/EJ = 7/12 \cdot b/EJ$$

$$L_{BA}^{xx} = \int_0^b (x^2/b^2) \cdot 1/EJ \, dx + 1 \cdot 1/4 \cdot b/EJ = \left[1/3 x^3/b^2 \right]_0^b \cdot 1/EJ + 1 \cdot 1/4 \cdot b/EJ$$

$$= (1/3 b) \cdot 1/EJ + 1 \cdot 1/4 \cdot b/EJ = 7/12 \cdot b/EJ$$

$$L_{AD}^{xx} = \int_0^{2b} (1) \cdot 1/EJ \, dx = \left[x \right]_0^{2b} \cdot 1/EJ$$

$$= (2b) \cdot 1/EJ = 2 \cdot b/EJ$$

$$L_{DA}^{xx} = \int_0^{2b} (1) \cdot 1/EJ \, dx = \left[x \right]_0^{2b} \cdot 1/EJ$$

$$= (2b) \cdot 1/EJ = 2 \cdot b/EJ$$

$$L_{DE}^{xx} = \int_0^b (1 - 2x/b + x^2/b^2) \cdot 1/EJ \, dx = \left[x - x^2/b + 1/3 x^3/b^2 \right]_0^b \cdot 1/EJ$$

$$= (b - b + 1/3 b) \cdot 1/EJ = 1/3 \cdot b/EJ$$

$$L_{ED}^{xx} = \int_0^b (x^2/b^2) \cdot 1/EJ \, dx = \left[1/3 x^3/b^2 \right]_0^b \cdot 1/EJ$$

$$= (1/3 b) \cdot 1/EJ = 1/3 \cdot b/EJ$$

$$L_{AB}^{xo} = \int_0^b (3/2 x/b - x^2/b^2 - 1/2 x^3/b^3) \cdot Fb \cdot 1/EJ \, dx + 1 \cdot 0 \cdot 1/4 \cdot Fb^2/EJ$$

$$= \left[3/4 x^2/b - 1/3 x^3/b^2 - 1/8 x^4/b^3 \right]_0^b \cdot Fb \cdot 1/EJ + 1 \cdot 0 \cdot 1/4 \cdot Fb^2/EJ$$

$$= (3/4 b - 1/3 b - 1/8 b) \cdot Fb \cdot 1/EJ + 1 \cdot 0 \cdot 1/4 \cdot Fb^2/EJ = 7/24 \cdot Fb^2/EJ$$

$$L_{BA}^{xo} = \int_0^b (2x/b - 5/2 x^2/b^2 + 1/2 x^3/b^3) \cdot Fb \cdot 1/EJ \, dx + 1 \cdot 0 \cdot 1/4 \cdot Fb^2/EJ$$

$$= \left[x^2/b - 5/6 x^3/b^2 + 1/8 x^4/b^3 \right]_0^b \cdot Fb \cdot 1/EJ + 1 \cdot 0 \cdot 1/4 \cdot Fb^2/EJ$$

$$= (b - 5/6 b + 1/8 b) \cdot Fb \cdot 1/EJ + 1 \cdot 0 \cdot 1/4 \cdot Fb^2/EJ = 7/24 \cdot Fb^2/EJ$$

$$L_{AD}^{xo} = \int_0^{2b} (-5/4 x/b + 1/2 x^2/b^2) \cdot Fb \cdot 1/EJ \, dx = \left[-5/8 x^2/b + 1/6 x^3/b^2 \right]_0^{2b} \cdot Fb \cdot 1/EJ$$

$$= (-5/2 b + 4/3 b) \cdot Fb \cdot 1/EJ = -7/6 \cdot Fb^2/EJ$$

$$L_{DA}^{xo} = \int_0^{2b} (-1/2 - 3/4 x/b + 1/2 x^2/b^2) \cdot Fb \cdot 1/EJ \, dx = \left[-1/2 x - 3/8 x^2/b + 1/6 x^3/b^2 \right]_0^{2b} \cdot Fb \cdot 1/EJ$$

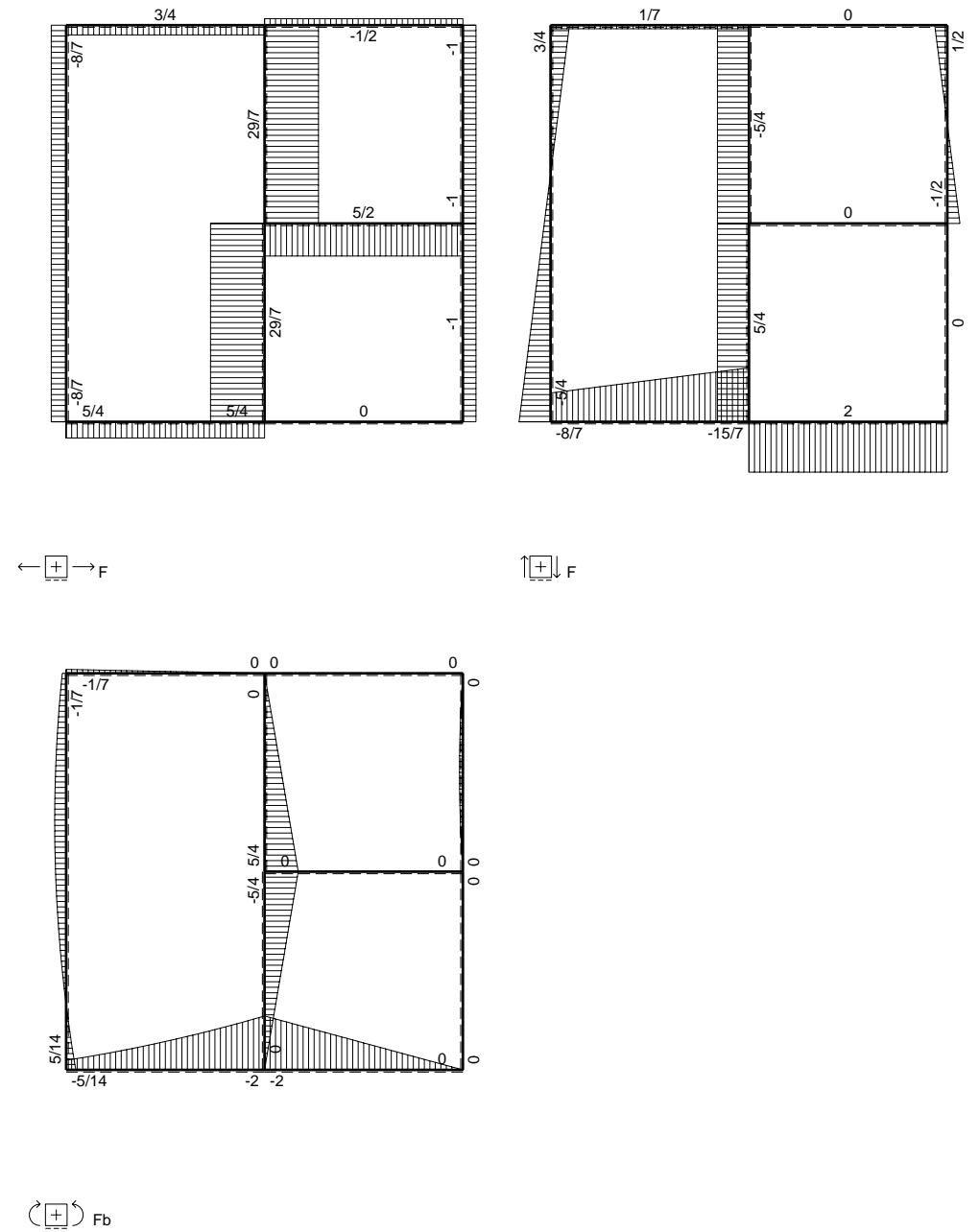
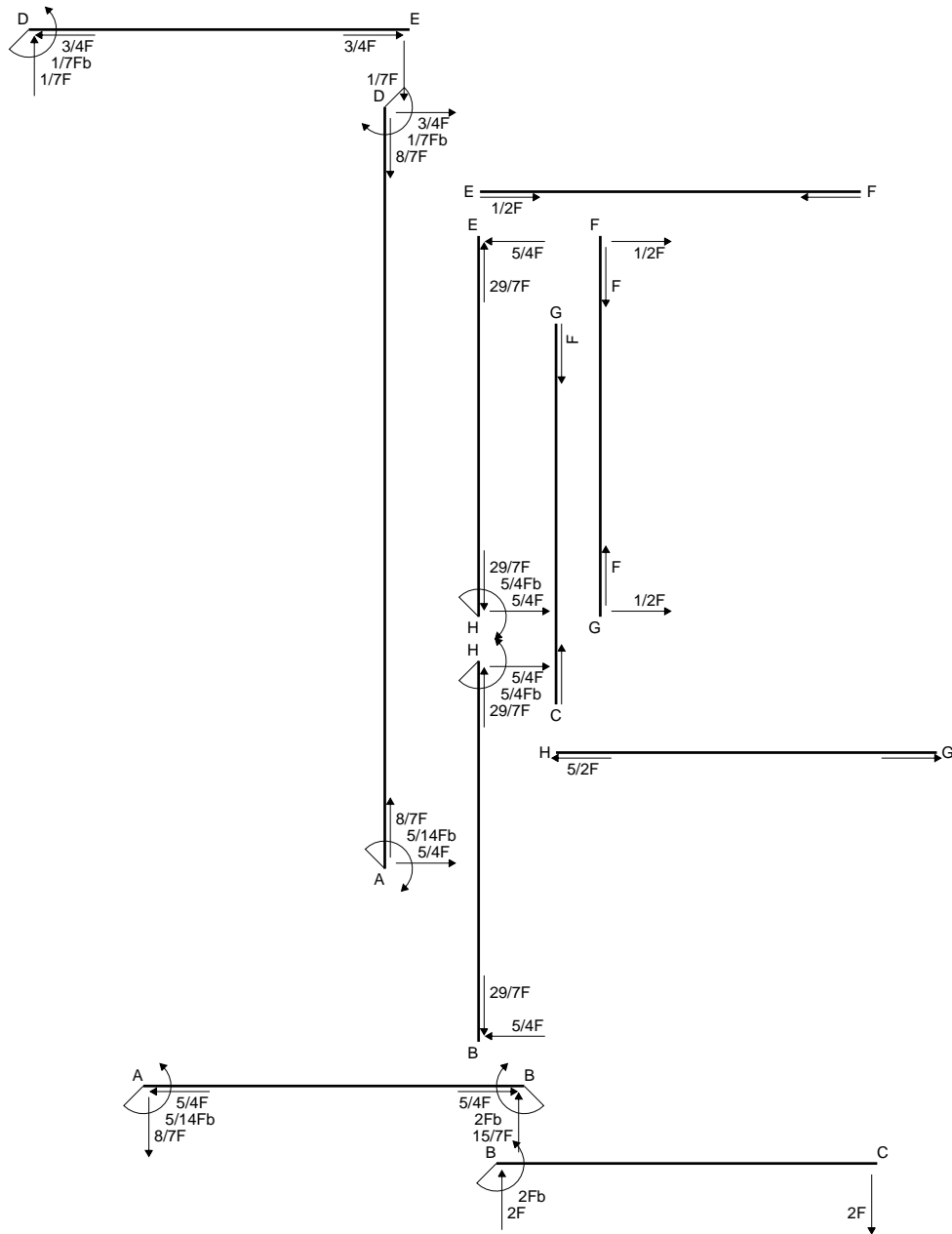
$$= (-b - 3/2 b + 4/3 b) \cdot Fb \cdot 1/EJ = -7/6 \cdot Fb^2/EJ$$

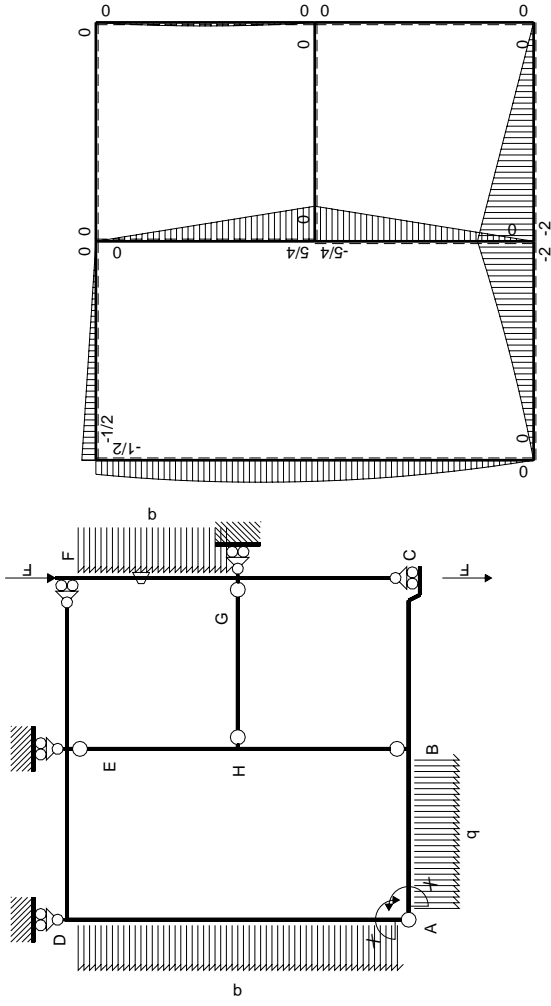
$$L_{DE}^{xo} = \int_0^b (-1/2 + x/b - 1/2 x^2/b^2) \cdot Fb \cdot 1/EJ \, dx = \left[-1/2 x + 1/2 x^2/b - 1/6 x^3/b^2 \right]_0^b \cdot Fb \cdot 1/EJ$$

$$= (-1/2 b + 1/2 b - 1/6 b) \cdot Fb \cdot 1/EJ = -1/6 \cdot Fb^2/EJ$$

$$L_{ED}^{xo} = \int_0^b (-1/2 x^2/b^2) \cdot Fb \cdot 1/EJ \, dx = \left[-1/6 x^3/b^2 \right]_0^b \cdot Fb \cdot 1/EJ$$

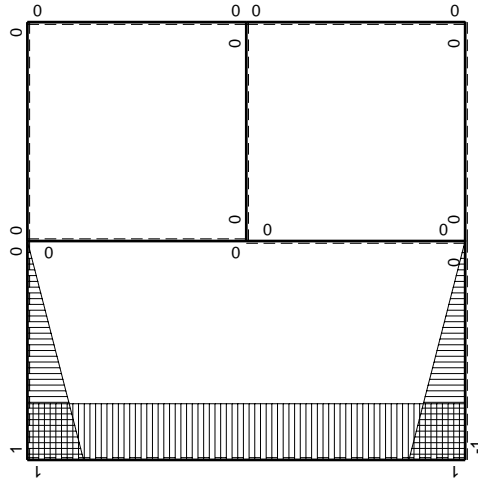
$$= (-1/6 b) \cdot Fb \cdot 1/EJ = -1/6 \cdot Fb^2/EJ$$





Schema di calcolo iperstatico

M_0 flessione da carichi assegnati



M_x flessione da iperstatica $X=1$

Quadro contributi PLV per iperstatica $X=W_{AB}$

→	$M_x(x)$	$M_o(x)$	θ	$M_x M_o$	$M_x \theta$	$M_x M_x$	$\int M_x(M_o/EJ+\theta)dx$	$\int X M_x M_x/EJ dx$
AB b	$-1+x/b$	$-3/2Fx-1/2qx^2$	0	$3/2Fx-Fx^2/b-1/2qx^3/b$	0	$1-2x/b+x^2/b^2$	$(7/24+0)Fb^2/EJ$	$1/3Xb/EJ$
BA b	x/b	$2Fb-5/2Fx+1/2qx^2$	0	$2Fx-5/2Fx^2/b+1/2qx^3/b$	0	x^2/b^2		
BC b	0	$-2Fb+2Fx$	0	0	0	0	0+0	0
CB b	0	$2Fx$	0	0	0	0		
AD 2b	1	$-5/4Fx+1/2qx^2$	0	$-5/4Fx+1/2Fx^2/b$	0	1	$(-7/6+0)Fb^2/EJ$	$2Xb/EJ$
DA 2b	-1	$1/2Fb+3/4Fx-1/2qx^2$	0	$-1/2Fb-3/4Fx+1/2Fx^2/b$	0	1		
DE b	$1-x/b$	$-1/2Fb+1/2Fx$	0	$-1/2Fb+Fx-1/2Fx^2/b$	0	$1-2x/b+x^2/b^2$	$(-1/6+0)Fb^2/EJ$	$1/3Xb/EJ$
ED b	$-x/b$	$1/2Fx$	0	$-1/2Fx^2/b$	0	x^2/b^2		
EF b	0	0	0	0	0	0	0+0	0
FE b	0	0	0	0	0	0		
FG b	0	$1/2Fx-1/2qx^2$	$-Fb/EJ$	0	0	0	0+0	0
GF b	0	$-1/2Fx+1/2qx^2$	Fb/EJ	0	0	0		
GC b	0	0	0	0	0	0	0+0	0
CG b	0	0	0	0	0	0		
HG b	0	0	0	0	0	0	0+0	0
GH b	0	0	0	0	0	0		
HB b	0	$-5/4Fb+5/4Fx$	0	0	0	0	0+0	0
BH b	0	$5/4Fx$	0	0	0	0		
HE b	0	$5/4Fb-5/4Fx$	0	0	0	0	0+0	0
EH b	0	$-5/4Fx$	0	0	0	0		
AB	molla asta $-W_{1AB}(W_{0AB}+XW_{1AB})/k_{AB}$							$1/4Xb/EJ$
	totali						$-25/24Fb^2/EJ$	$35/12Xb/EJ$
	iperstatica $X=W_{AB}$						$5/14Fb$	

Sviluppi di calcolo iperstatica

$$L_{AB}^{xx} = \int_0^b (1 - 2x/b + x^2/b^2) \cdot 1/EJ \, dx + 1 \cdot 1/4 \cdot b/EJ = \left[x - x^2/b + 1/3 x^3/b^2 \right]_0^b \cdot 1/EJ + 1 \cdot 1/4 \cdot b/EJ$$

$$= (b - b + 1/3 b) \cdot 1/EJ + 1 \cdot 1/4 \cdot b/EJ = 7/12 \cdot b/EJ$$

$$L_{BA}^{xx} = \int_0^b (x^2/b^2) \cdot 1/EJ \, dx + 1 \cdot 1/4 \cdot b/EJ = \left[1/3 x^3/b^2 \right]_0^b \cdot 1/EJ + 1 \cdot 1/4 \cdot b/EJ$$

$$= (1/3 b) \cdot 1/EJ + 1 \cdot 1/4 \cdot b/EJ = 7/12 \cdot b/EJ$$

$$L_{AD}^{xx} = \int_0^{2b} (1) \cdot 1/EJ \, dx = \left[x \right]_0^{2b} \cdot 1/EJ$$

$$= (2b) \cdot 1/EJ = 2 \cdot b/EJ$$

$$L_{DA}^{xx} = \int_0^{2b} (1) \cdot 1/EJ \, dx = \left[x \right]_0^{2b} \cdot 1/EJ$$

$$= (2b) \cdot 1/EJ = 2 \cdot b/EJ$$

$$L_{DE}^{xx} = \int_0^b (1 - 2x/b + x^2/b^2) \cdot 1/EJ \, dx = \left[x - x^2/b + 1/3 x^3/b^2 \right]_0^b \cdot 1/EJ$$

$$= (b - b + 1/3 b) \cdot 1/EJ = 1/3 \cdot b/EJ$$

$$L_{ED}^{xx} = \int_0^b (x^2/b^2) \cdot 1/EJ \, dx = \left[1/3 x^3/b^2 \right]_0^b \cdot 1/EJ$$

$$= (1/3 b) \cdot 1/EJ = 1/3 \cdot b/EJ$$

$$L_{AB}^{xo} = \int_0^b (3/2 x/b - x^2/b^2 - 1/2 x^3/b^3) \cdot Fb \cdot 1/EJ \, dx + 1 \cdot 0 \cdot 1/4 \cdot Fb^2/EJ$$

$$= \left[3/4 x^2/b - 1/3 x^3/b^2 - 1/8 x^4/b^3 \right]_0^b \cdot Fb \cdot 1/EJ + 1 \cdot 0 \cdot 1/4 \cdot Fb^2/EJ$$

$$= (3/4 b - 1/3 b - 1/8 b) \cdot Fb \cdot 1/EJ + 1 \cdot 0 \cdot 1/4 \cdot Fb^2/EJ = 7/24 \cdot Fb^2/EJ$$

$$L_{BA}^{xo} = \int_0^b (2x/b - 5/2 x^2/b^2 + 1/2 x^3/b^3) \cdot Fb \cdot 1/EJ \, dx + 1 \cdot 0 \cdot 1/4 \cdot Fb^2/EJ$$

$$= \left[x^2/b - 5/6 x^3/b^2 + 1/8 x^4/b^3 \right]_0^b \cdot Fb \cdot 1/EJ + 1 \cdot 0 \cdot 1/4 \cdot Fb^2/EJ$$

$$= (b - 5/6 b + 1/8 b) \cdot Fb \cdot 1/EJ + 1 \cdot 0 \cdot 1/4 \cdot Fb^2/EJ = 7/24 \cdot Fb^2/EJ$$

$$L_{AD}^{xo} = \int_0^{2b} (-5/4 x/b + 1/2 x^2/b^2) \cdot Fb \cdot 1/EJ \, dx = \left[-5/8 x^2/b + 1/6 x^3/b^2 \right]_0^{2b} \cdot Fb \cdot 1/EJ$$

$$= (-5/2 b + 4/3 b) \cdot Fb \cdot 1/EJ = -7/6 \cdot Fb^2/EJ$$

$$L_{DA}^{xo} = \int_0^{2b} (-1/2 - 3/4 x/b + 1/2 x^2/b^2) \cdot Fb \cdot 1/EJ \, dx = \left[-1/2 x - 3/8 x^2/b + 1/6 x^3/b^2 \right]_0^{2b} \cdot Fb \cdot 1/EJ$$

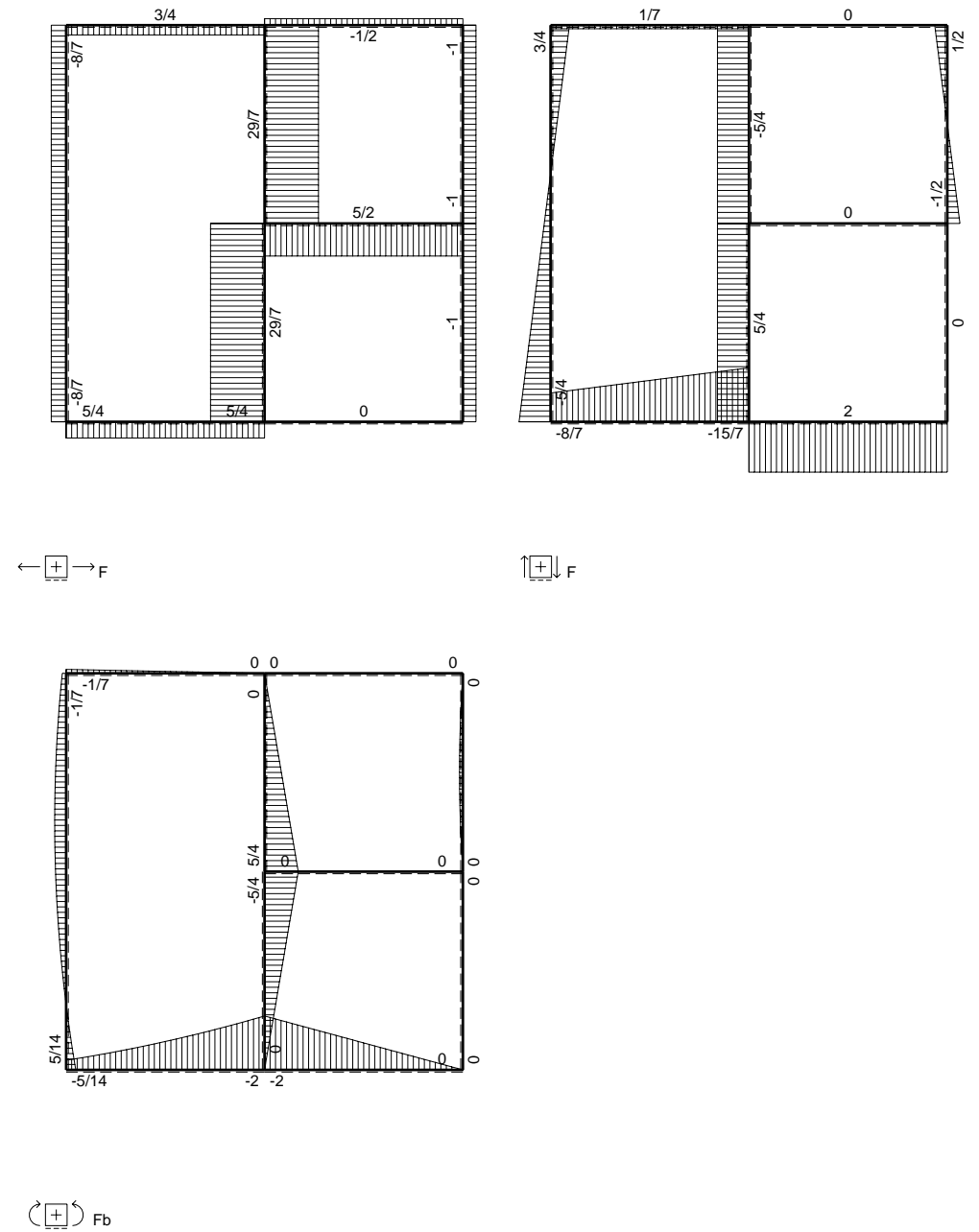
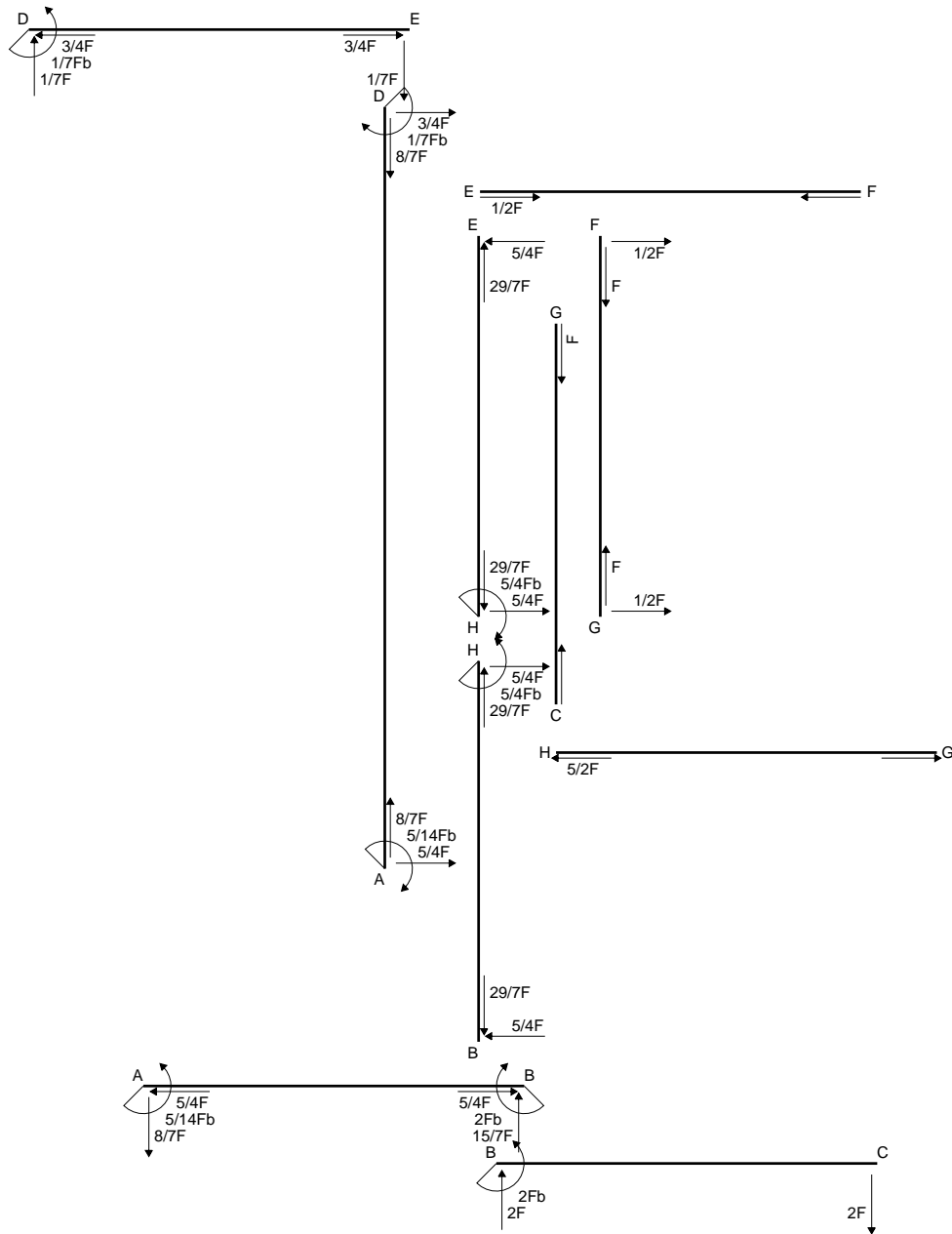
$$= (-b - 3/2 b + 4/3 b) \cdot Fb \cdot 1/EJ = -7/6 \cdot Fb^2/EJ$$

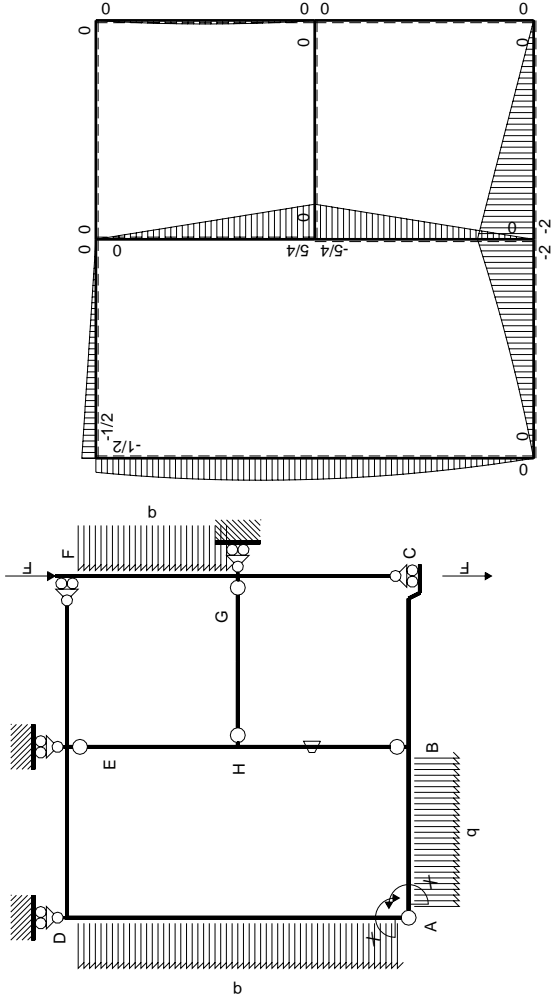
$$L_{DE}^{xo} = \int_0^b (-1/2 + x/b - 1/2 x^2/b^2) \cdot Fb \cdot 1/EJ \, dx = \left[-1/2 x + 1/2 x^2/b - 1/6 x^3/b^2 \right]_0^b \cdot Fb \cdot 1/EJ$$

$$= (-1/2 b + 1/2 b - 1/6 b) \cdot Fb \cdot 1/EJ = -1/6 \cdot Fb^2/EJ$$

$$L_{ED}^{xo} = \int_0^b (-1/2 x^2/b^2) \cdot Fb \cdot 1/EJ \, dx = \left[-1/6 x^3/b^2 \right]_0^b \cdot Fb \cdot 1/EJ$$

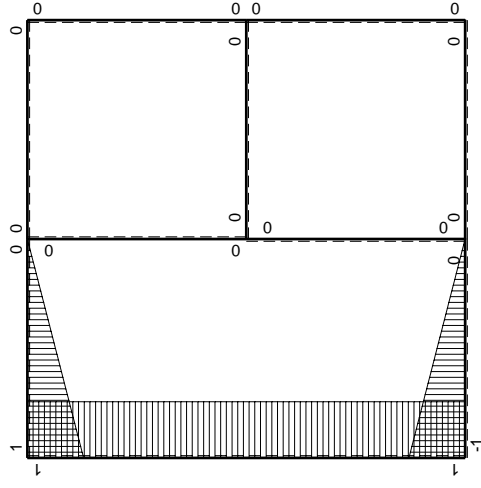
$$= (-1/6 b) \cdot Fb \cdot 1/EJ = -1/6 \cdot Fb^2/EJ$$





Schema di calcolo iperstatico

M_0 flessione da carichi assegnati



M_1 flessione da iperstatica $X=1$

Quadro contributi PLV per iperstatica $X=W_{AB}$

→	$M_x(x)$	$M_o(x)$	θ	$M_x M_o$	$M_x \theta$	$M_x M_x$	$\int M_x(M_o/EJ+\theta)dx$	$\int X M_x M_x/EJ dx$	
AB b	$-1+x/b$	$-3/2Fx-1/2qx^2$	0	$3/2Fx-Fx^2/b-1/2qx^3/b$	0	$1-2x/b+x^2/b^2$	$(7/24+0)Fb^2/EJ$	$1/3Xb/EJ$	
BA b	x/b	$2Fb-5/2Fx+1/2qx^2$	0	$2Fx-5/2Fx^2/b+1/2qx^3/b$	0	x^2/b^2			
BC b	0	$-2Fb+2Fx$	0	0	0	0	0+0	0	
CB b	0	$2Fx$	0	0	0	0			
AD 2b	1	$-5/4Fx+1/2qx^2$	0	$-5/4Fx+1/2Fx^2/b$	0	1	$(-7/6+0)Fb^2/EJ$	$2Xb/EJ$	
DA 2b	-1	$1/2Fb+3/4Fx-1/2qx^2$	0	$-1/2Fb-3/4Fx+1/2Fx^2/b$	0	1			
DE b	$1-x/b$	$-1/2Fb+1/2Fx$	0	$-1/2Fb+Fx-1/2Fx^2/b$	0	$1-2x/b+x^2/b^2$	$(-1/6+0)Fb^2/EJ$	$1/3Xb/EJ$	
ED b	$-x/b$	$1/2Fx$	0	$-1/2Fx^2/b$	0	x^2/b^2			
EF b	0	0	0	0	0	0	0+0	0	
FE b	0	0	0	0	0	0			
FG b	0	$1/2Fx-1/2qx^2$	0	0	0	0	0+0	0	
GF b	0	$-1/2Fx+1/2qx^2$	0	0	0	0			
GC b	0	0	0	0	0	0	0+0	0	
CG b	0	0	0	0	0	0			
HG b	0	0	0	0	0	0	0+0	0	
GH b	0	0	0	0	0	0			
HB b	0	$-5/4Fb+5/4Fx$	$-Fb/EJ$	0	0	0	0+0	0	
BH b	0	$5/4Fx$	Fb/EJ	0	0	0			
HE b	0	$5/4Fb-5/4Fx$	0	0	0	0	0+0	0	
EH b	0	$-5/4Fx$	0	0	0	0			
AB	molla asta $-W_{1AB}(W_{0AB}+XW_{1AB})/k_{AB}$								$1/4Xb/EJ$
	totali							$-25/24Fb^2/EJ$	$35/12Xb/EJ$
	iperstatica $X=W_{AB}$							$5/14Fb$	

Sviluppi di calcolo iperstatica

$$L_{AB}^{xx} = \int_0^b (1 - 2x/b + x^2/b^2) \cdot 1/EJ \, dx + 1 \cdot 1/4 \cdot b/EJ = \left[x - x^2/b + 1/3 x^3/b^2 \right]_0^b \cdot 1/EJ + 1 \cdot 1/4 \cdot b/EJ$$

$$= (b - b + 1/3 b) \cdot 1/EJ + 1 \cdot 1/4 \cdot b/EJ = 7/12 \cdot b/EJ$$

$$L_{BA}^{xx} = \int_0^b (x^2/b^2) \cdot 1/EJ \, dx + 1 \cdot 1/4 \cdot b/EJ = \left[1/3 x^3/b^2 \right]_0^b \cdot 1/EJ + 1 \cdot 1/4 \cdot b/EJ$$

$$= (1/3 b) \cdot 1/EJ + 1 \cdot 1/4 \cdot b/EJ = 7/12 \cdot b/EJ$$

$$L_{AD}^{xx} = \int_0^{2b} (1) \cdot 1/EJ \, dx = \left[x \right]_0^{2b} \cdot 1/EJ$$

$$= (2b) \cdot 1/EJ = 2 \cdot b/EJ$$

$$L_{DA}^{xx} = \int_0^{2b} (1) \cdot 1/EJ \, dx = \left[x \right]_0^{2b} \cdot 1/EJ$$

$$= (2b) \cdot 1/EJ = 2 \cdot b/EJ$$

$$L_{DE}^{xx} = \int_0^b (1 - 2x/b + x^2/b^2) \cdot 1/EJ \, dx = \left[x - x^2/b + 1/3 x^3/b^2 \right]_0^b \cdot 1/EJ$$

$$= (b - b + 1/3 b) \cdot 1/EJ = 1/3 \cdot b/EJ$$

$$L_{ED}^{xx} = \int_0^b (x^2/b^2) \cdot 1/EJ \, dx = \left[1/3 x^3/b^2 \right]_0^b \cdot 1/EJ$$

$$= (1/3 b) \cdot 1/EJ = 1/3 \cdot b/EJ$$

$$L_{AB}^{xo} = \int_0^b (3/2 x/b - x^2/b^2 - 1/2 x^3/b^3) \cdot Fb \cdot 1/EJ \, dx + 1 \cdot 0 \cdot 1/4 \cdot Fb^2/EJ$$

$$= \left[3/4 x^2/b - 1/3 x^3/b^2 - 1/8 x^4/b^3 \right]_0^b \cdot Fb \cdot 1/EJ + 1 \cdot 0 \cdot 1/4 \cdot Fb^2/EJ$$

$$= (3/4 b - 1/3 b - 1/8 b) \cdot Fb \cdot 1/EJ + 1 \cdot 0 \cdot 1/4 \cdot Fb^2/EJ = 7/24 \cdot Fb^2/EJ$$

$$L_{BA}^{xo} = \int_0^b (2x/b - 5/2 x^2/b^2 + 1/2 x^3/b^3) \cdot Fb \cdot 1/EJ \, dx + 1 \cdot 0 \cdot 1/4 \cdot Fb^2/EJ$$

$$= \left[x^2/b - 5/6 x^3/b^2 + 1/8 x^4/b^3 \right]_0^b \cdot Fb \cdot 1/EJ + 1 \cdot 0 \cdot 1/4 \cdot Fb^2/EJ$$

$$= (b - 5/6 b + 1/8 b) \cdot Fb \cdot 1/EJ + 1 \cdot 0 \cdot 1/4 \cdot Fb^2/EJ = 7/24 \cdot Fb^2/EJ$$

$$L_{AD}^{xo} = \int_0^{2b} (-5/4 x/b + 1/2 x^2/b^2) \cdot Fb \cdot 1/EJ \, dx = \left[-5/8 x^2/b + 1/6 x^3/b^2 \right]_0^{2b} \cdot Fb \cdot 1/EJ$$

$$= (-5/2 b + 4/3 b) \cdot Fb \cdot 1/EJ = -7/6 \cdot Fb^2/EJ$$

$$L_{DA}^{xo} = \int_0^{2b} (-1/2 - 3/4 x/b + 1/2 x^2/b^2) \cdot Fb \cdot 1/EJ \, dx = \left[-1/2 x - 3/8 x^2/b + 1/6 x^3/b^2 \right]_0^{2b} \cdot Fb \cdot 1/EJ$$

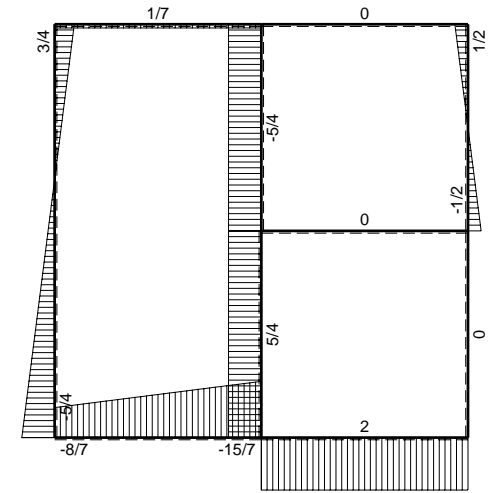
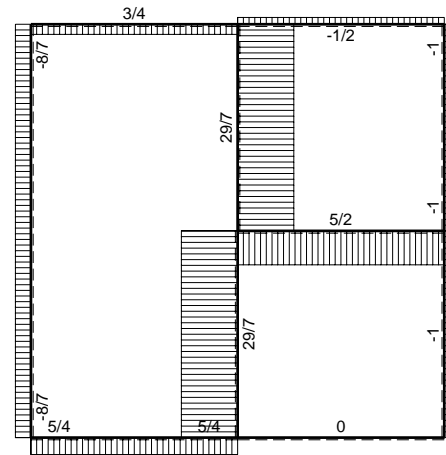
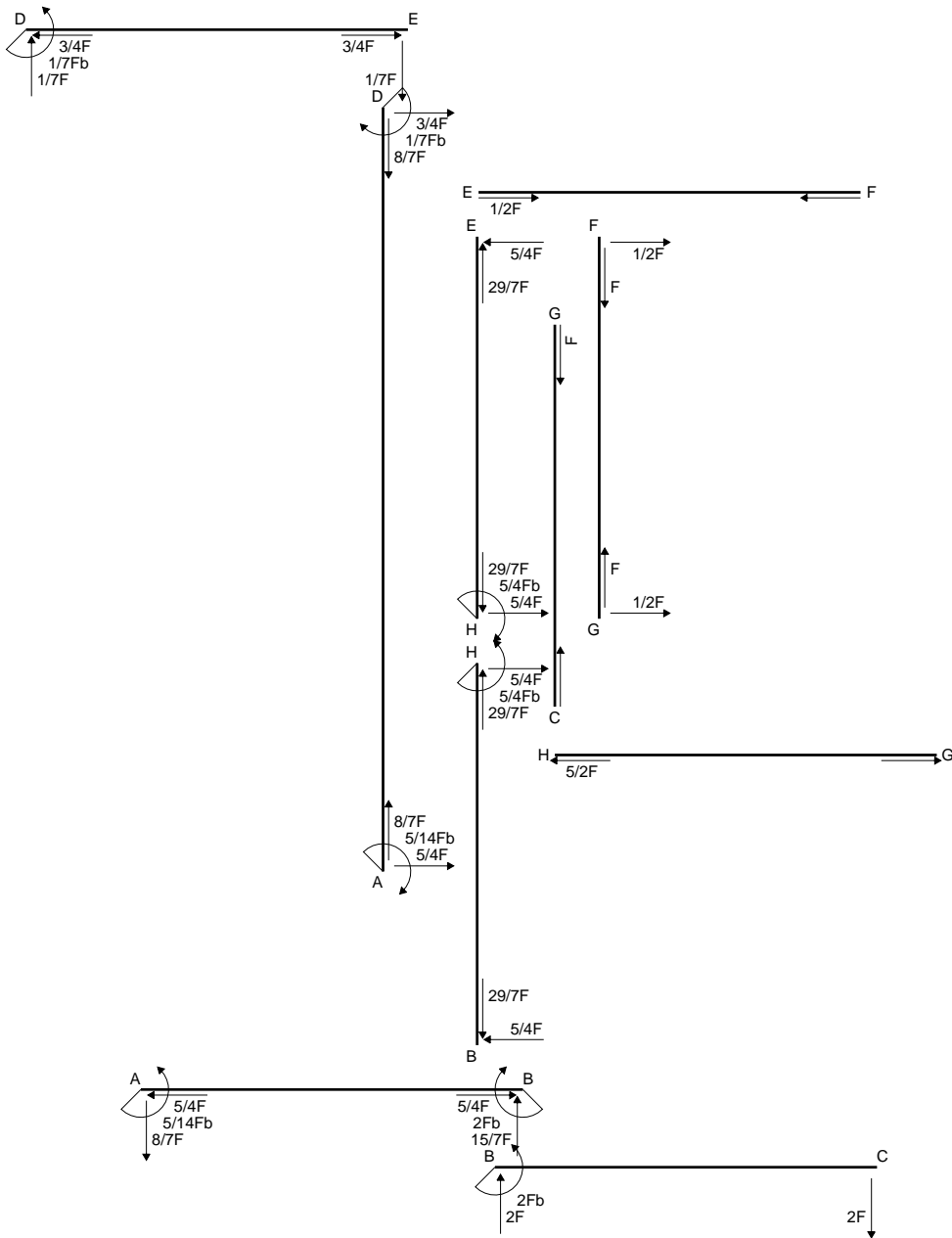
$$= (-b - 3/2 b + 4/3 b) \cdot Fb \cdot 1/EJ = -7/6 \cdot Fb^2/EJ$$

$$L_{DE}^{xo} = \int_0^b (-1/2 + x/b - 1/2 x^2/b^2) \cdot Fb \cdot 1/EJ \, dx = \left[-1/2 x + 1/2 x^2/b - 1/6 x^3/b^2 \right]_0^b \cdot Fb \cdot 1/EJ$$

$$= (-1/2 b + 1/2 b - 1/6 b) \cdot Fb \cdot 1/EJ = -1/6 \cdot Fb^2/EJ$$

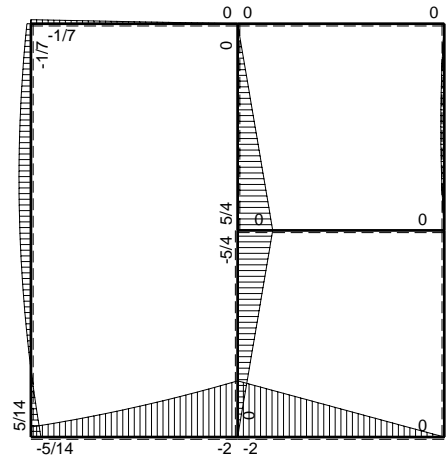
$$L_{ED}^{xo} = \int_0^b (-1/2 x^2/b^2) \cdot Fb \cdot 1/EJ \, dx = \left[-1/6 x^3/b^2 \right]_0^b \cdot Fb \cdot 1/EJ$$

$$= (-1/6 b) \cdot Fb \cdot 1/EJ = -1/6 \cdot Fb^2/EJ$$

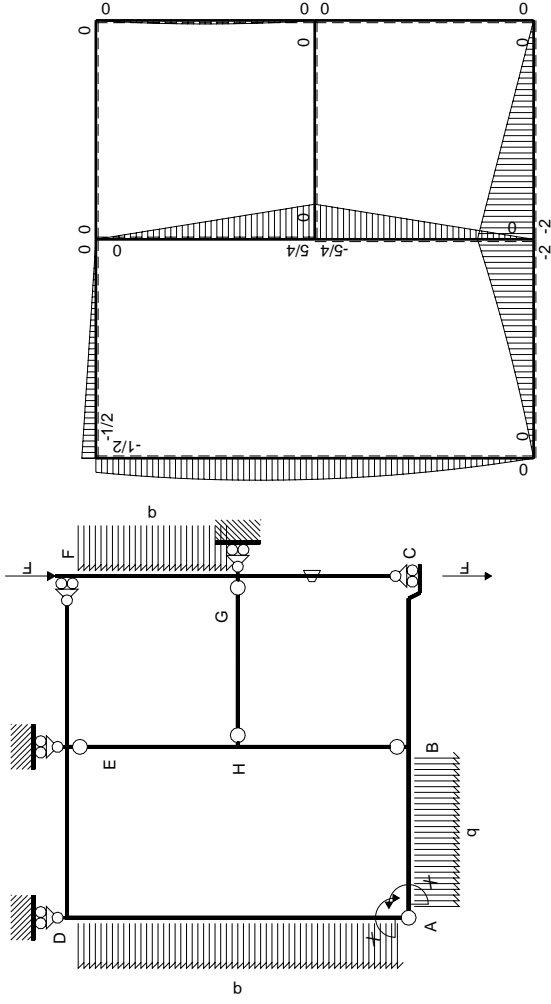


← ⊕ → F

↑ ⊕ ↓ F

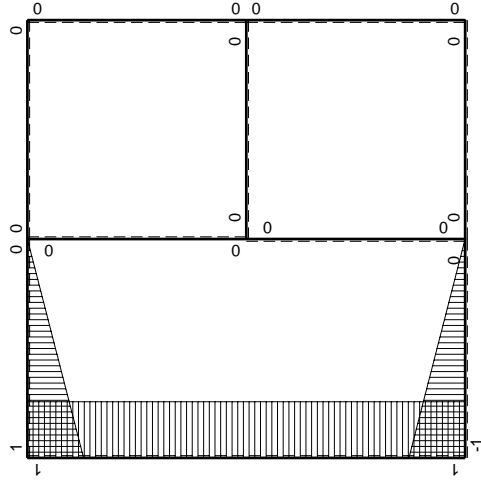


⊕ ⊖ Fb



Schema di calcolo iperstatico

M_0 flessione da carichi assegnati



M_x flessione da iperstatica $X=1$

Quadro contributi PLV per iperstatica $X=W_{AB}$

→	$M_x(x)$	$M_o(x)$	θ	$M_x M_o$	$M_x \theta$	$M_x M_x$	$\int M_x(M_o/EJ+\theta)dx$	$\int X M_x M_x/EJ dx$
AB b	$-1+x/b$	$-3/2Fx-1/2qx^2$	0	$3/2Fx-Fx^2/b-1/2qx^3/b$	0	$1-2x/b+x^2/b^2$	$(7/24+0)Fb^2/EJ$	$1/3Xb/EJ$
BA b	x/b	$2Fb-5/2Fx+1/2qx^2$	0	$2Fx-5/2Fx^2/b+1/2qx^3/b$	0	x^2/b^2		
BC b	0	$-2Fb+2Fx$	0	0	0	0	0+0	0
CB b	0	$2Fx$	0	0	0	0		
AD 2b	1	$-5/4Fx+1/2qx^2$	0	$-5/4Fx+1/2Fx^2/b$	0	1	$(-7/6+0)Fb^2/EJ$	$2Xb/EJ$
DA 2b	-1	$1/2Fb+3/4Fx-1/2qx^2$	0	$-1/2Fb-3/4Fx+1/2Fx^2/b$	0	1		
DE b	$1-x/b$	$-1/2Fb+1/2Fx$	0	$-1/2Fb+Fx-1/2Fx^2/b$	0	$1-2x/b+x^2/b^2$	$(-1/6+0)Fb^2/EJ$	$1/3Xb/EJ$
ED b	$-x/b$	$1/2Fx$	0	$-1/2Fx^2/b$	0	x^2/b^2		
EF b	0	0	0	0	0	0	0+0	0
FE b	0	0	0	0	0	0		
FG b	0	$1/2Fx-1/2qx^2$	0	0	0	0	0+0	0
GF b	0	$-1/2Fx+1/2qx^2$	0	0	0	0		
GC b	0	0	$-Fb/EJ$	0	0	0	0+0	0
CG b	0	0	Fb/EJ	0	0	0		
HG b	0	0	0	0	0	0	0+0	0
GH b	0	0	0	0	0	0		
HB b	0	$-5/4Fb+5/4Fx$	0	0	0	0	0+0	0
BH b	0	$5/4Fx$	0	0	0	0		
HE b	0	$5/4Fb-5/4Fx$	0	0	0	0	0+0	0
EH b	0	$-5/4Fx$	0	0	0	0		
AB	molla asta $-W_{1AB}(W_{0AB}+XW_{1AB})/k_{AB}$							$1/4Xb/EJ$
	totali						$-25/24Fb^2/EJ$	$35/12Xb/EJ$
	iperstatica $X=W_{AB}$						$5/14Fb$	

Sviluppi di calcolo iperstatica

$$L_{AB}^{xx} = \int_0^b (1 - 2x/b + x^2/b^2) \cdot 1/EJ \, dx + 1 \cdot 1/4 \cdot b/EJ = \left[x - x^2/b + 1/3 x^3/b^2 \right]_0^b \cdot 1/EJ + 1 \cdot 1/4 \cdot b/EJ$$

$$= (b - b + 1/3 b) \cdot 1/EJ + 1 \cdot 1/4 \cdot b/EJ = 7/12 \cdot b/EJ$$

$$L_{BA}^{xx} = \int_0^b (x^2/b^2) \cdot 1/EJ \, dx + 1 \cdot 1/4 \cdot b/EJ = \left[1/3 x^3/b^2 \right]_0^b \cdot 1/EJ + 1 \cdot 1/4 \cdot b/EJ$$

$$= (1/3 b) \cdot 1/EJ + 1 \cdot 1/4 \cdot b/EJ = 7/12 \cdot b/EJ$$

$$L_{AD}^{xx} = \int_0^{2b} (1) \cdot 1/EJ \, dx = \left[x \right]_0^{2b} \cdot 1/EJ$$

$$= (2b) \cdot 1/EJ = 2 \cdot b/EJ$$

$$L_{DA}^{xx} = \int_0^{2b} (1) \cdot 1/EJ \, dx = \left[x \right]_0^{2b} \cdot 1/EJ$$

$$= (2b) \cdot 1/EJ = 2 \cdot b/EJ$$

$$L_{DE}^{xx} = \int_0^b (1 - 2x/b + x^2/b^2) \cdot 1/EJ \, dx = \left[x - x^2/b + 1/3 x^3/b^2 \right]_0^b \cdot 1/EJ$$

$$= (b - b + 1/3 b) \cdot 1/EJ = 1/3 \cdot b/EJ$$

$$L_{ED}^{xx} = \int_0^b (x^2/b^2) \cdot 1/EJ \, dx = \left[1/3 x^3/b^2 \right]_0^b \cdot 1/EJ$$

$$= (1/3 b) \cdot 1/EJ = 1/3 \cdot b/EJ$$

$$L_{AB}^{xo} = \int_0^b (3/2 x/b - x^2/b^2 - 1/2 x^3/b^3) \cdot Fb \cdot 1/EJ \, dx + 1 \cdot 0 \cdot 1/4 \cdot Fb^2/EJ$$

$$= \left[3/4 x^2/b - 1/3 x^3/b^2 - 1/8 x^4/b^3 \right]_0^b \cdot Fb \cdot 1/EJ + 1 \cdot 0 \cdot 1/4 \cdot Fb^2/EJ$$

$$= (3/4 b - 1/3 b - 1/8 b) \cdot Fb \cdot 1/EJ + 1 \cdot 0 \cdot 1/4 \cdot Fb^2/EJ = 7/24 \cdot Fb^2/EJ$$

$$L_{BA}^{xo} = \int_0^b (2x/b - 5/2 x^2/b^2 + 1/2 x^3/b^3) \cdot Fb \cdot 1/EJ \, dx + 1 \cdot 0 \cdot 1/4 \cdot Fb^2/EJ$$

$$= \left[x^2/b - 5/6 x^3/b^2 + 1/8 x^4/b^3 \right]_0^b \cdot Fb \cdot 1/EJ + 1 \cdot 0 \cdot 1/4 \cdot Fb^2/EJ$$

$$= (b - 5/6 b + 1/8 b) \cdot Fb \cdot 1/EJ + 1 \cdot 0 \cdot 1/4 \cdot Fb^2/EJ = 7/24 \cdot Fb^2/EJ$$

$$L_{AD}^{xo} = \int_0^{2b} (-5/4 x/b + 1/2 x^2/b^2) \cdot Fb \cdot 1/EJ \, dx = \left[-5/8 x^2/b + 1/6 x^3/b^2 \right]_0^{2b} \cdot Fb \cdot 1/EJ$$

$$= (-5/2 b + 4/3 b) \cdot Fb \cdot 1/EJ = -7/6 \cdot Fb^2/EJ$$

$$L_{DA}^{xo} = \int_0^{2b} (-1/2 - 3/4 x/b + 1/2 x^2/b^2) \cdot Fb \cdot 1/EJ \, dx = \left[-1/2 x - 3/8 x^2/b + 1/6 x^3/b^2 \right]_0^{2b} \cdot Fb \cdot 1/EJ$$

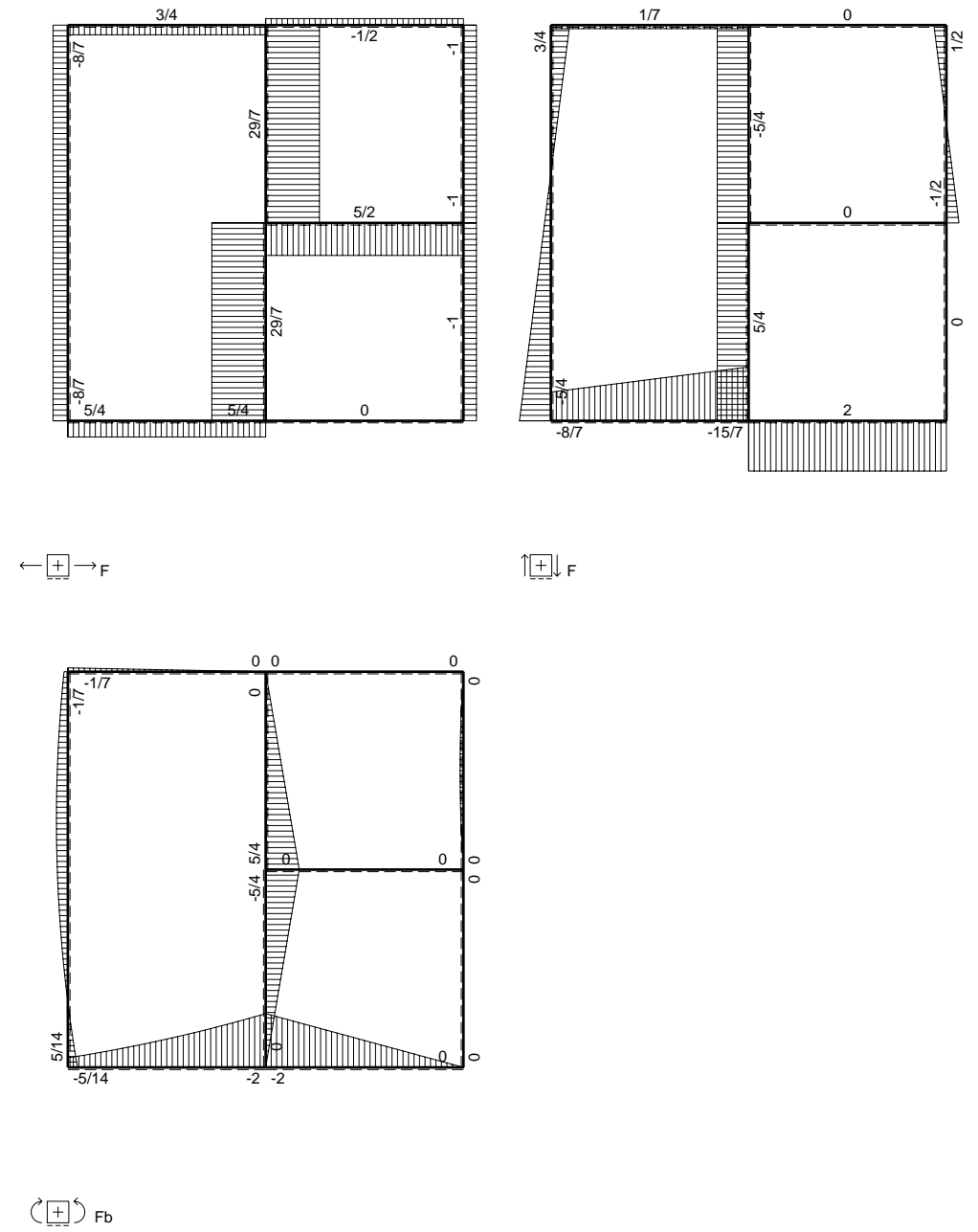
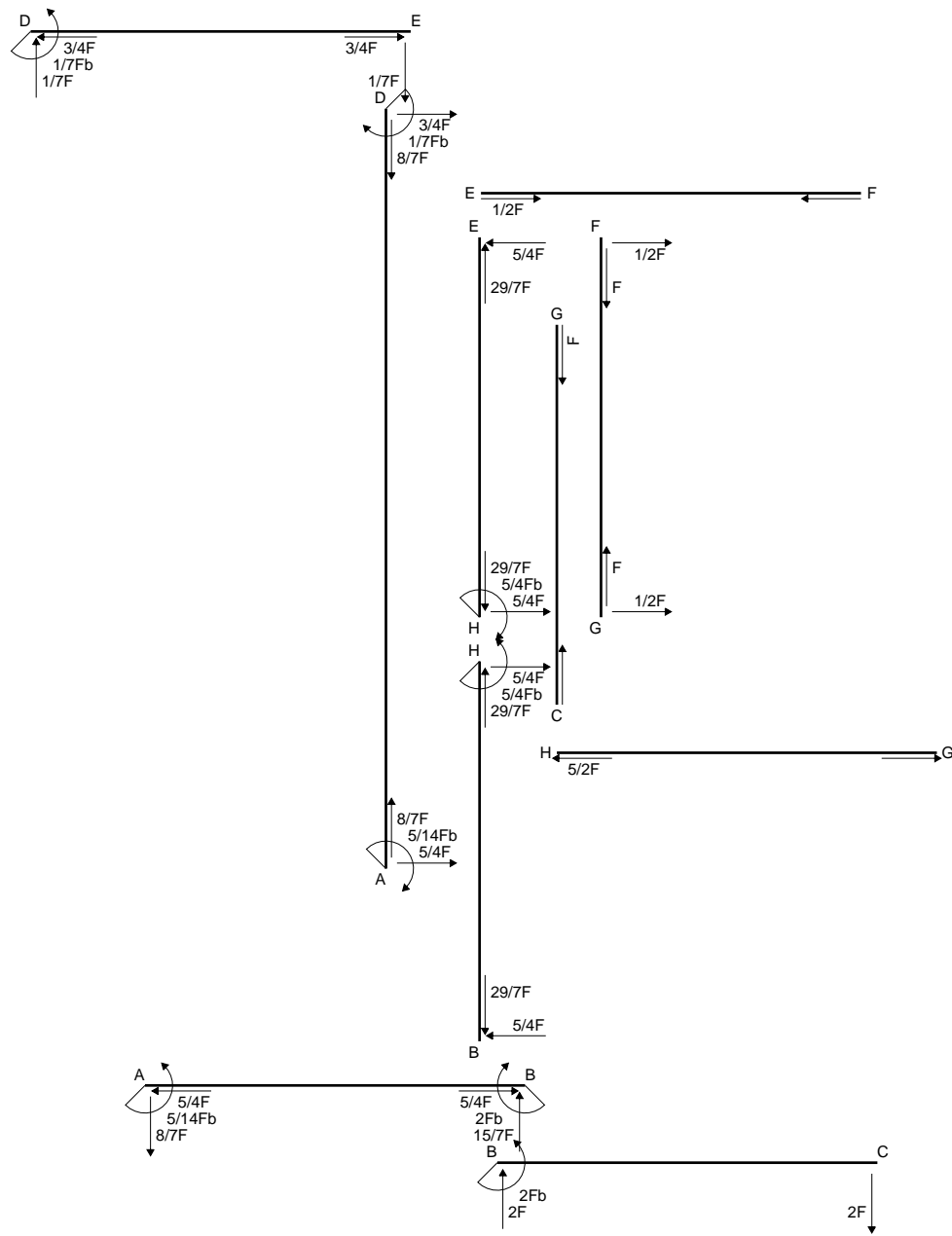
$$= (-b - 3/2 b + 4/3 b) \cdot Fb \cdot 1/EJ = -7/6 \cdot Fb^2/EJ$$

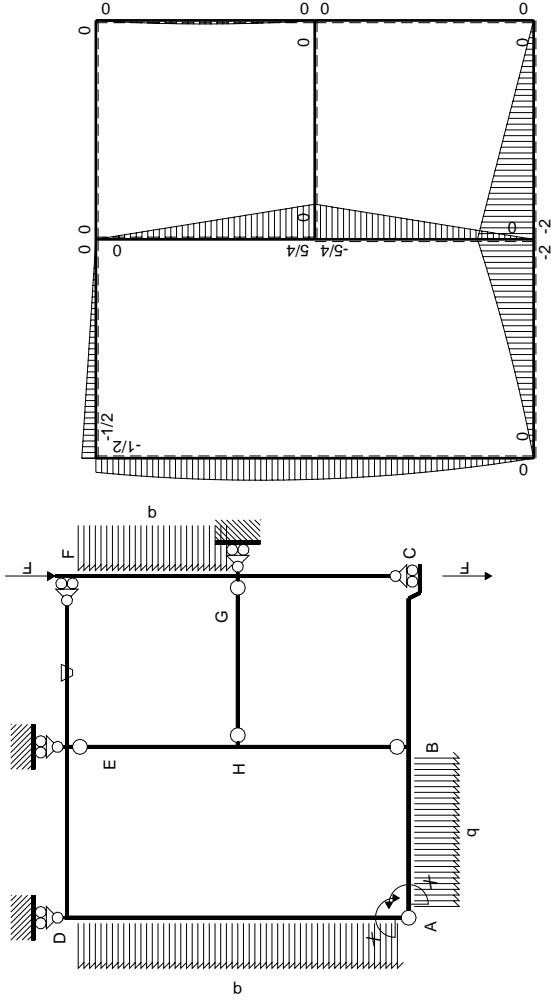
$$L_{DE}^{xo} = \int_0^b (-1/2 + x/b - 1/2 x^2/b^2) \cdot Fb \cdot 1/EJ \, dx = \left[-1/2 x + 1/2 x^2/b - 1/6 x^3/b^2 \right]_0^b \cdot Fb \cdot 1/EJ$$

$$= (-1/2 b + 1/2 b - 1/6 b) \cdot Fb \cdot 1/EJ = -1/6 \cdot Fb^2/EJ$$

$$L_{ED}^{xo} = \int_0^b (-1/2 x^2/b^2) \cdot Fb \cdot 1/EJ \, dx = \left[-1/6 x^3/b^2 \right]_0^b \cdot Fb \cdot 1/EJ$$

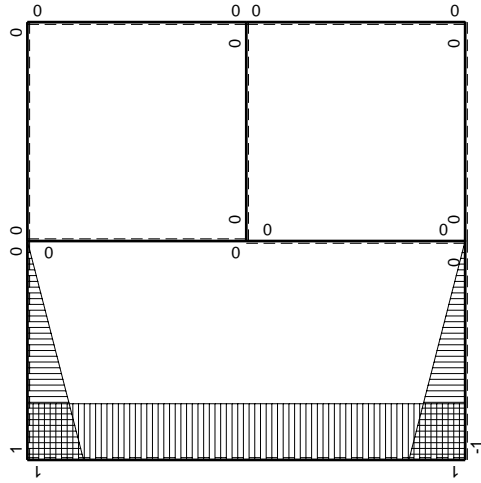
$$= (-1/6 b) \cdot Fb \cdot 1/EJ = -1/6 \cdot Fb^2/EJ$$





Schema di calcolo iperstatico

M_0 flessione da carichi assegnati



M_x flessione da iperstatica $X=1$

Quadro contributi PLV per iperstatica $X=W_{AB}$

→	$M_x(x)$	$M_o(x)$	θ	$M_x M_o$	$M_x \theta$	$M_x M_x$	$\int M_x(M_o/EJ+\theta)dx$	$\int X M_x M_x/EJ dx$
AB b	$-1+x/b$	$-3/2Fx-1/2qx^2$	0	$3/2Fx-Fx^2/b-1/2qx^3/b$	0	$1-2x/b+x^2/b^2$	$(7/24+0)Fb^2/EJ$	$1/3Xb/EJ$
BA b	x/b	$2Fb-5/2Fx+1/2qx^2$	0	$2Fx-5/2Fx^2/b+1/2qx^3/b$	0	x^2/b^2		
BC b	0	$-2Fb+2Fx$	0	0	0	0	0+0	0
CB b	0	$2Fx$	0	0	0	0		
AD 2b	1	$-5/4Fx+1/2qx^2$	0	$-5/4Fx+1/2Fx^2/b$	0	1	$(-7/6+0)Fb^2/EJ$	$2Xb/EJ$
DA 2b	-1	$1/2Fb+3/4Fx-1/2qx^2$	0	$-1/2Fb-3/4Fx+1/2Fx^2/b$	0	1		
DE b	$1-x/b$	$-1/2Fb+1/2Fx$	0	$-1/2Fb+Fx-1/2Fx^2/b$	0	$1-2x/b+x^2/b^2$	$(-1/6+0)Fb^2/EJ$	$1/3Xb/EJ$
ED b	$-x/b$	$1/2Fx$	0	$-1/2Fx^2/b$	0	x^2/b^2		
EF b	0	0	$-Fb/EJ$	0	0	0	0+0	0
FE b	0	0	Fb/EJ	0	0	0		
FG b	0	$1/2Fx-1/2qx^2$	0	0	0	0	0+0	0
GF b	0	$-1/2Fx+1/2qx^2$	0	0	0	0		
GC b	0	0	0	0	0	0	0+0	0
CG b	0	0	0	0	0	0		
HG b	0	0	0	0	0	0	0+0	0
GH b	0	0	0	0	0	0		
HB b	0	$-5/4Fb+5/4Fx$	0	0	0	0	0+0	0
BH b	0	$5/4Fx$	0	0	0	0		
HE b	0	$5/4Fb-5/4Fx$	0	0	0	0	0+0	0
EH b	0	$-5/4Fx$	0	0	0	0		
AB	molla asta $-W_{1AB}(W_{0AB}+XW_{1AB})/k_{AB}$							$1/4Xb/EJ$
	totali						$-25/24Fb^2/EJ$	$35/12Xb/EJ$
	iperstatica $X=W_{AB}$						$5/14Fb$	

Sviluppi di calcolo iperstatica

$$L_{AB}^{xx} = \int_0^b (1 - 2x/b + x^2/b^2) \cdot 1/EJ \, dx + 1 \cdot 1/4 \cdot b/EJ = \left[x - x^2/b + 1/3 x^3/b^2 \right]_0^b \cdot 1/EJ + 1 \cdot 1/4 \cdot b/EJ$$

$$= (b - b + 1/3 b) \cdot 1/EJ + 1 \cdot 1/4 \cdot b/EJ = 7/12 \cdot b/EJ$$

$$L_{BA}^{xx} = \int_0^b (x^2/b^2) \cdot 1/EJ \, dx + 1 \cdot 1/4 \cdot b/EJ = \left[1/3 x^3/b^2 \right]_0^b \cdot 1/EJ + 1 \cdot 1/4 \cdot b/EJ$$

$$= (1/3 b) \cdot 1/EJ + 1 \cdot 1/4 \cdot b/EJ = 7/12 \cdot b/EJ$$

$$L_{AD}^{xx} = \int_0^{2b} (1) \cdot 1/EJ \, dx = \left[x \right]_0^{2b} \cdot 1/EJ$$

$$= (2b) \cdot 1/EJ = 2 \cdot b/EJ$$

$$L_{DA}^{xx} = \int_0^{2b} (1) \cdot 1/EJ \, dx = \left[x \right]_0^{2b} \cdot 1/EJ$$

$$= (2b) \cdot 1/EJ = 2 \cdot b/EJ$$

$$L_{DE}^{xx} = \int_0^b (1 - 2x/b + x^2/b^2) \cdot 1/EJ \, dx = \left[x - x^2/b + 1/3 x^3/b^2 \right]_0^b \cdot 1/EJ$$

$$= (b - b + 1/3 b) \cdot 1/EJ = 1/3 \cdot b/EJ$$

$$L_{ED}^{xx} = \int_0^b (x^2/b^2) \cdot 1/EJ \, dx = \left[1/3 x^3/b^2 \right]_0^b \cdot 1/EJ$$

$$= (1/3 b) \cdot 1/EJ = 1/3 \cdot b/EJ$$

$$L_{AB}^{xo} = \int_0^b (3/2 x/b - x^2/b^2 - 1/2 x^3/b^3) \cdot Fb \cdot 1/EJ \, dx + 1 \cdot 0 \cdot 1/4 \cdot Fb^2/EJ$$

$$= \left[3/4 x^2/b - 1/3 x^3/b^2 - 1/8 x^4/b^3 \right]_0^b \cdot Fb \cdot 1/EJ + 1 \cdot 0 \cdot 1/4 \cdot Fb^2/EJ$$

$$= (3/4 b - 1/3 b - 1/8 b) \cdot Fb \cdot 1/EJ + 1 \cdot 0 \cdot 1/4 \cdot Fb^2/EJ = 7/24 \cdot Fb^2/EJ$$

$$L_{BA}^{xo} = \int_0^b (2x/b - 5/2 x^2/b^2 + 1/2 x^3/b^3) \cdot Fb \cdot 1/EJ \, dx + 1 \cdot 0 \cdot 1/4 \cdot Fb^2/EJ$$

$$= \left[x^2/b - 5/6 x^3/b^2 + 1/8 x^4/b^3 \right]_0^b \cdot Fb \cdot 1/EJ + 1 \cdot 0 \cdot 1/4 \cdot Fb^2/EJ$$

$$= (b - 5/6 b + 1/8 b) \cdot Fb \cdot 1/EJ + 1 \cdot 0 \cdot 1/4 \cdot Fb^2/EJ = 7/24 \cdot Fb^2/EJ$$

$$L_{AD}^{xo} = \int_0^{2b} (-5/4 x/b + 1/2 x^2/b^2) \cdot Fb \cdot 1/EJ \, dx = \left[-5/8 x^2/b + 1/6 x^3/b^2 \right]_0^{2b} \cdot Fb \cdot 1/EJ$$

$$= (-5/2 b + 4/3 b) \cdot Fb \cdot 1/EJ = -7/6 \cdot Fb^2/EJ$$

$$L_{DA}^{xo} = \int_0^{2b} (-1/2 - 3/4 x/b + 1/2 x^2/b^2) \cdot Fb \cdot 1/EJ \, dx = \left[-1/2 x - 3/8 x^2/b + 1/6 x^3/b^2 \right]_0^{2b} \cdot Fb \cdot 1/EJ$$

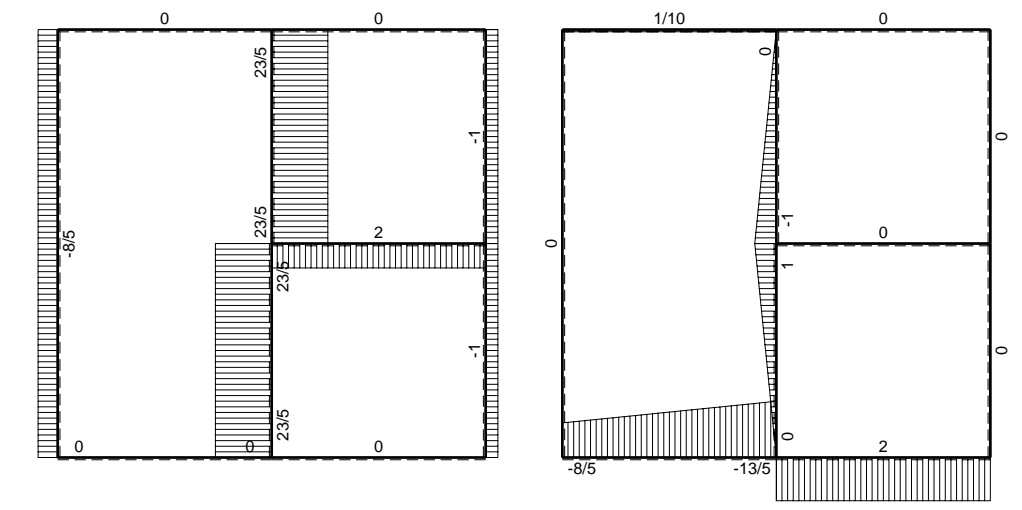
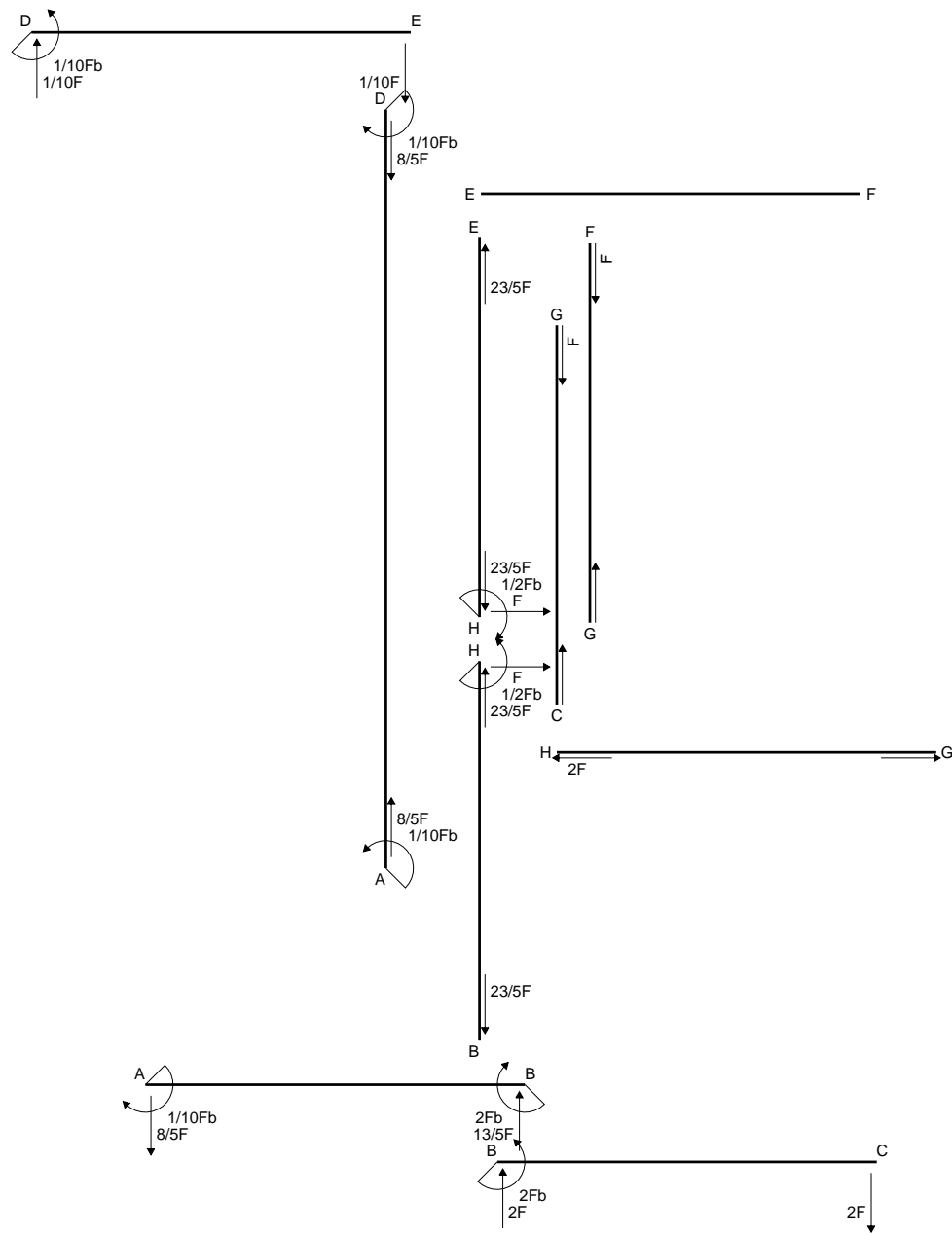
$$= (-b - 3/2 b + 4/3 b) \cdot Fb \cdot 1/EJ = -7/6 \cdot Fb^2/EJ$$

$$L_{DE}^{xo} = \int_0^b (-1/2 + x/b - 1/2 x^2/b^2) \cdot Fb \cdot 1/EJ \, dx = \left[-1/2 x + 1/2 x^2/b - 1/6 x^3/b^2 \right]_0^b \cdot Fb \cdot 1/EJ$$

$$= (-1/2 b + 1/2 b - 1/6 b) \cdot Fb \cdot 1/EJ = -1/6 \cdot Fb^2/EJ$$

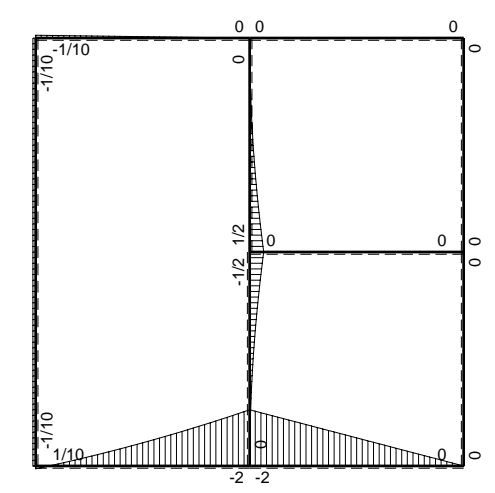
$$L_{ED}^{xo} = \int_0^b (-1/2 x^2/b^2) \cdot Fb \cdot 1/EJ \, dx = \left[-1/6 x^3/b^2 \right]_0^b \cdot Fb \cdot 1/EJ$$

$$= (-1/6 b) \cdot Fb \cdot 1/EJ = -1/6 \cdot Fb^2/EJ$$

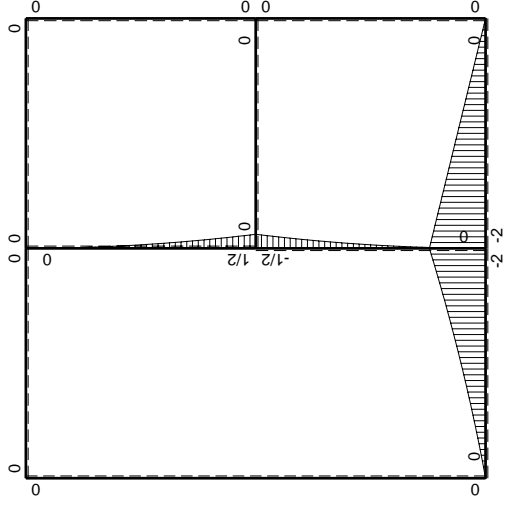
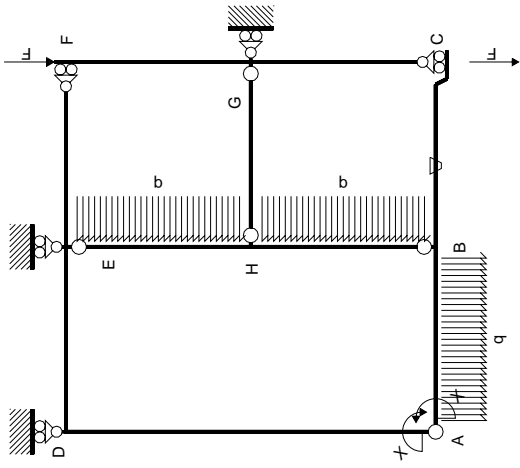


← ⊕ → F

↑ ⊕ ↓ F

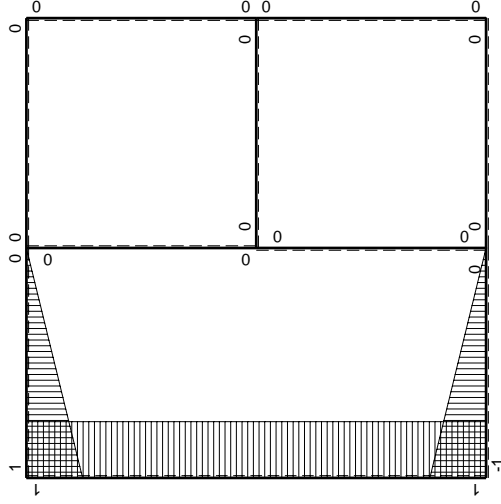


⊕ ⊖ F_b



Schema di calcolo iperstatico

M_0 flessione da carichi assegnati



M_x flessione da iperstatica $X=1$

Quadro contributi PLV per iperstatica $X=W_{AB}$

→	$M_x(x)$	$M_o(x)$	θ	$M_x M_o$	$M_x \theta$	$M_x M_x$	$\int M_x(M_o/EJ+\theta)dx$	$\int X M_x M_x/EJ dx$	
AB b	$-1+x/b$	$-3/2Fx-1/2qx^2$	0	$3/2Fx-Fx^2/b-1/2qx^3/b$	0	$1-2x/b+x^2/b^2$	$(7/24+0)Fb^2/EJ$	$1/3Xb/EJ$	
BA b	x/b	$2Fb-5/2Fx+1/2qx^2$	0	$2Fx-5/2Fx^2/b+1/2qx^3/b$	0	x^2/b^2			
BC b	0	$-2Fb+2Fx$	$-Fb/EJ$	0	0	0	0+0	0	
CB b	0	$2Fx$	Fb/EJ	0	0	0			
AD 2b	1	0	0	0	0	1	0+0	$2Xb/EJ$	
DA 2b	-1	0	0	0	0	1			
DE b	$1-x/b$	0	0	0	0	$1-2x/b+x^2/b^2$	0+0	$1/3Xb/EJ$	
ED b	$-x/b$	0	0	0	0	x^2/b^2			
EF b	0	0	0	0	0	0	0+0	0	
FE b	0	0	0	0	0	0			
FG b	0	0	0	0	0	0	0+0	0	
GF b	0	0	0	0	0	0			
GC b	0	0	0	0	0	0	0+0	0	
CG b	0	0	0	0	0	0			
HG b	0	0	0	0	0	0	0+0	0	
GH b	0	0	0	0	0	0			
HB b	0	$-1/2Fb+Fx-1/2qx^2$	0	0	0	0	0+0	0	
BH b	0	$1/2qx^2$	0	0	0	0			
HE b	0	$1/2Fb-Fx+1/2qx^2$	0	0	0	0	0+0	0	
EH b	0	$-1/2qx^2$	0	0	0	0			
AB	molla asta $-W_{1AB}(W_{0AB}+XW_{1AB})/k_{AB}$								$1/4Xb/EJ$
	totali							$7/24Fb^2/EJ$	$35/12Xb/EJ$
	iperstatica $X=W_{AB}$							$-1/10Fb$	

Sviluppi di calcolo iperstatica

$$L_{AB}^{xx} = \int_0^b (1 - 2x/b + x^2/b^2) \frac{1}{EJ} dx + 1 \cdot 1/4 \cdot b/EJ = \left[x - x^2/b + 1/3 x^3/b^2 \right]_0^b \frac{1}{EJ} + 1 \cdot 1/4 \cdot b/EJ$$

$$= (b - b + 1/3 b) \frac{1}{EJ} + 1 \cdot 1/4 \cdot b/EJ = 7/12 \cdot b/EJ$$

$$L_{BA}^{xx} = \int_0^b (x^2/b^2) \frac{1}{EJ} dx + 1 \cdot 1/4 \cdot b/EJ = \left[1/3 x^3/b^2 \right]_0^b \frac{1}{EJ} + 1 \cdot 1/4 \cdot b/EJ$$

$$= (1/3 b) \frac{1}{EJ} + 1 \cdot 1/4 \cdot b/EJ = 7/12 \cdot b/EJ$$

$$L_{AD}^{xx} = \int_0^{2b} (1) \frac{1}{EJ} dx = \left[x \right]_0^{2b} \frac{1}{EJ}$$

$$= (2b) \frac{1}{EJ} = 2 \cdot b/EJ$$

$$L_{DA}^{xx} = \int_0^{2b} (1) \frac{1}{EJ} dx = \left[x \right]_0^{2b} \frac{1}{EJ}$$

$$= (2b) \frac{1}{EJ} = 2 \cdot b/EJ$$

$$L_{DE}^{xx} = \int_0^b (1 - 2x/b + x^2/b^2) \frac{1}{EJ} dx = \left[x - x^2/b + 1/3 x^3/b^2 \right]_0^b \frac{1}{EJ}$$

$$= (b - b + 1/3 b) \frac{1}{EJ} = 1/3 \cdot b/EJ$$

$$L_{ED}^{xx} = \int_0^b (x^2/b^2) \frac{1}{EJ} dx = \left[1/3 x^3/b^2 \right]_0^b \frac{1}{EJ}$$

$$= (1/3 b) \frac{1}{EJ} = 1/3 \cdot b/EJ$$

$$L_{AB}^{xo} = \int_0^b (3/2 x/b - x^2/b^2 - 1/2 x^3/b^3) Fb \frac{1}{EJ} dx + 1 \cdot 0 \cdot 1/4 \cdot Fb^2/EJ$$

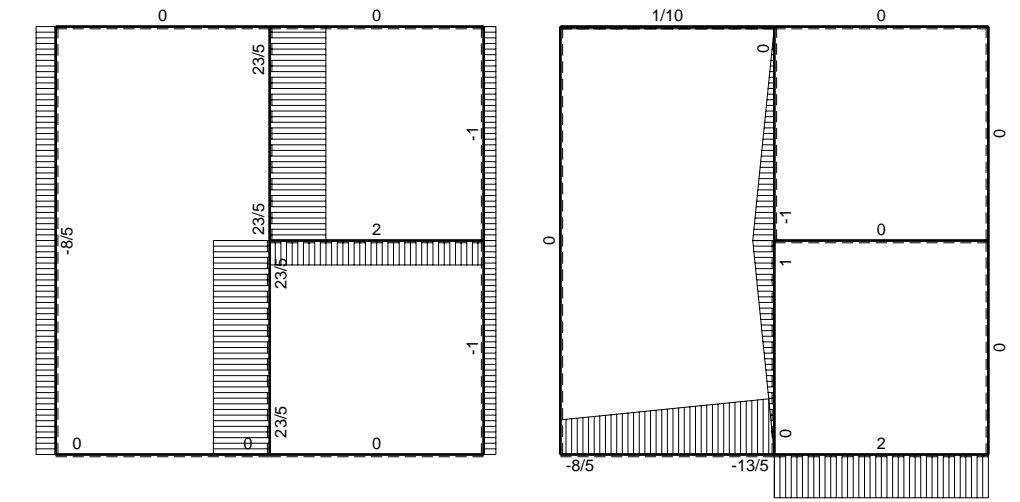
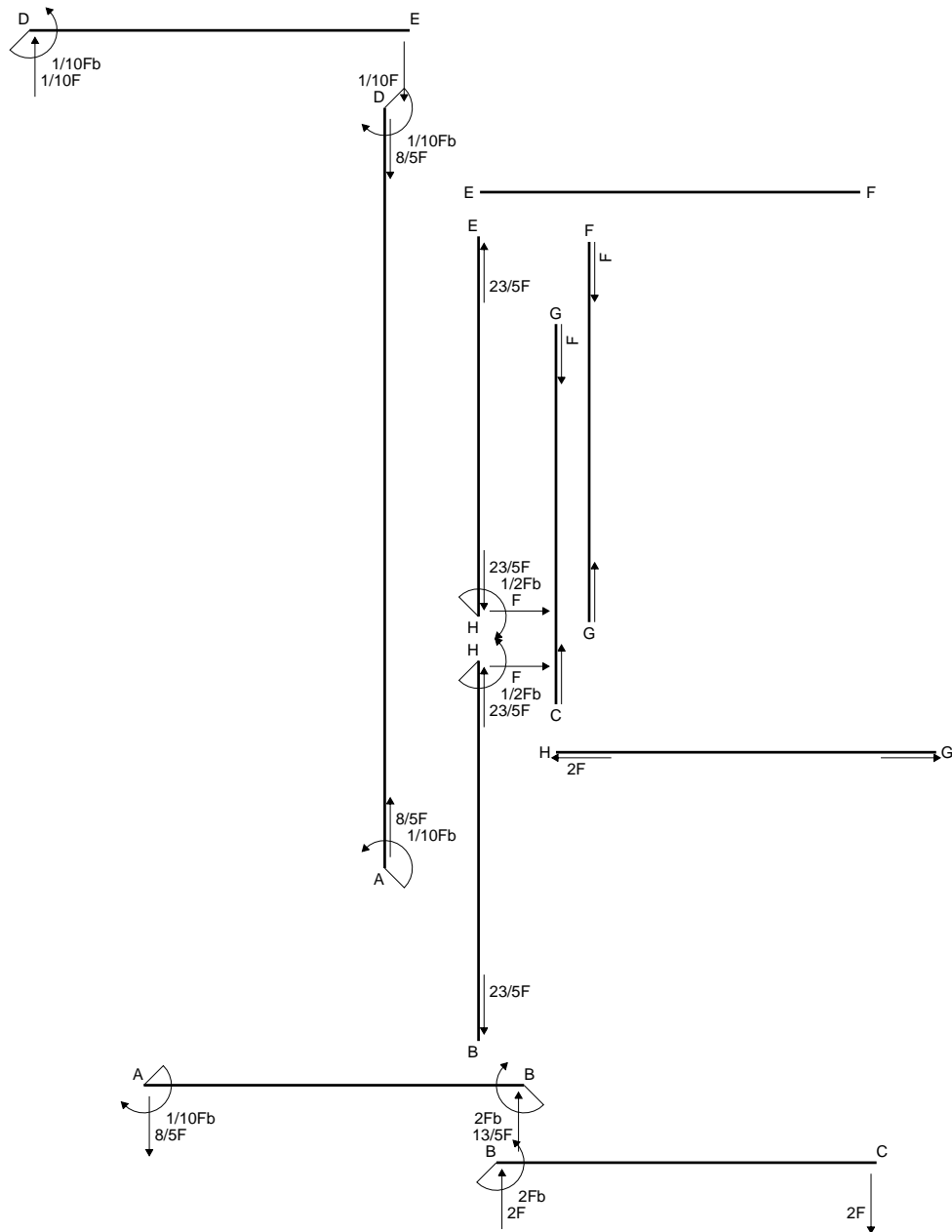
$$= \left[3/4 x^2/b - 1/3 x^3/b^2 - 1/8 x^4/b^3 \right]_0^b Fb \frac{1}{EJ} + 1 \cdot 0 \cdot 1/4 \cdot Fb^2/EJ$$

$$= (3/4 b - 1/3 b - 1/8 b) Fb \frac{1}{EJ} + 1 \cdot 0 \cdot 1/4 \cdot Fb^2/EJ = 7/24 \cdot Fb^2/EJ$$

$$L_{BA}^{xo} = \int_0^b (2x/b - 5/2 x^2/b^2 + 1/2 x^3/b^3) Fb \frac{1}{EJ} dx + 1 \cdot 0 \cdot 1/4 \cdot Fb^2/EJ$$

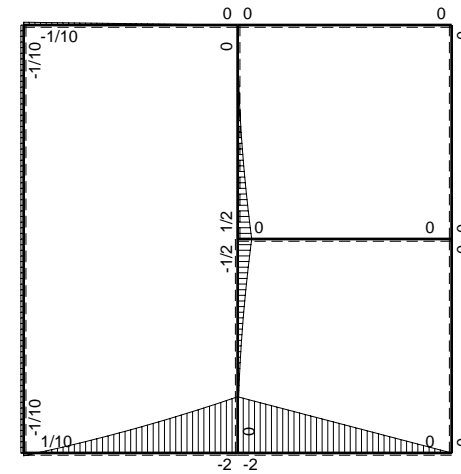
$$= \left[x^2/b - 5/6 x^3/b^2 + 1/8 x^4/b^3 \right]_0^b Fb \frac{1}{EJ} + 1 \cdot 0 \cdot 1/4 \cdot Fb^2/EJ$$

$$= (b - 5/6 b + 1/8 b) Fb \frac{1}{EJ} + 1 \cdot 0 \cdot 1/4 \cdot Fb^2/EJ = 7/24 \cdot Fb^2/EJ$$

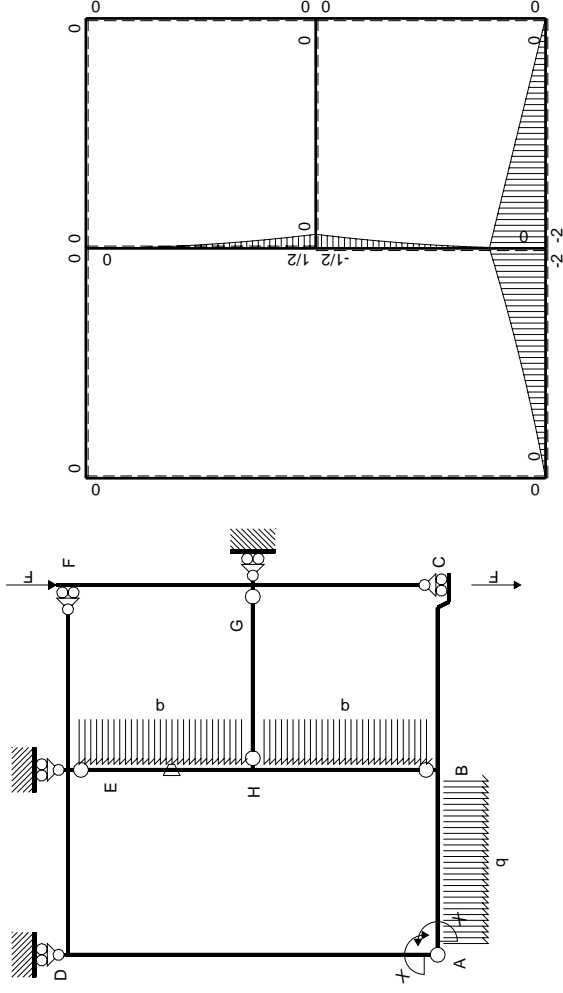


← ⊕ → F

↑ ⊕ ↓ F

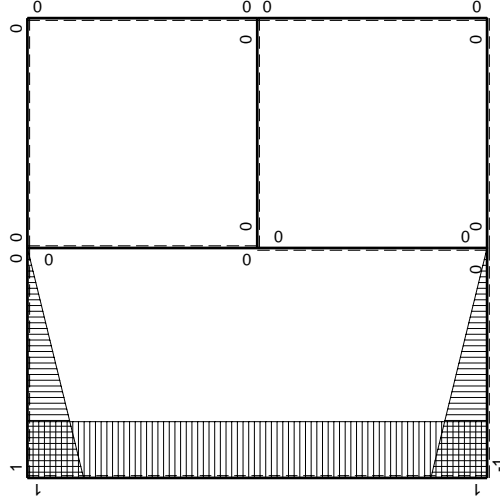


⊕ ⊖ F_b



Schema di calcolo iperstatico

M_0 flessione da carichi assegnati



M_X flessione da iperstatica $X=1$

Quadro contributi PLV per iperstatica $X=W_{AB}$

→	$M_x(x)$	$M_o(x)$	θ	$M_x M_o$	$M_x \theta$	$M_x M_x$	$\int M_x(M_o/EJ+\theta)dx$	$\int X M_x M_x/EJ dx$	
AB b	$-1+x/b$	$-3/2Fx-1/2qx^2$	0	$3/2Fx-Fx^2/b-1/2qx^3/b$	0	$1-2x/b+x^2/b^2$	$(7/24+0)Fb^2/EJ$	$1/3Xb/EJ$	
BA b	x/b	$2Fb-5/2Fx+1/2qx^2$	0	$2Fx-5/2Fx^2/b+1/2qx^3/b$	0	x^2/b^2			
BC b	0	$-2Fb+2Fx$	0	0	0	0	0+0	0	
CB b	0	$2Fx$	0	0	0	0			
AD 2b	1	0	0	0	0	1	0+0	$2Xb/EJ$	
DA 2b	-1	0	0	0	0	1			
DE b	$1-x/b$	0	0	0	0	$1-2x/b+x^2/b^2$	0+0	$1/3Xb/EJ$	
ED b	$-x/b$	0	0	0	0	x^2/b^2			
EF b	0	0	0	0	0	0	0+0	0	
FE b	0	0	0	0	0	0			
FG b	0	0	0	0	0	0	0+0	0	
GF b	0	0	0	0	0	0			
GC b	0	0	0	0	0	0	0+0	0	
CG b	0	0	0	0	0	0			
HG b	0	0	0	0	0	0	0+0	0	
GH b	0	0	0	0	0	0			
HB b	0	$-1/2Fb+Fx-1/2qx^2$	0	0	0	0	0+0	0	
BH b	0	$1/2qx^2$	0	0	0	0			
HE b	0	$1/2Fb-Fx+1/2qx^2$	$-Fb/EJ$	0	0	0	0+0	0	
EH b	0	$-1/2qx^2$	Fb/EJ	0	0	0			
AB	molla asta $-W_{1AB}(W_{0AB}+XW_{1AB})/k_{AB}$								$1/4Xb/EJ$
	totali							$7/24Fb^2/EJ$	$35/12Xb/EJ$
	iperstatica $X=W_{AB}$							$-1/10Fb$	

Sviluppi di calcolo iperstatica

$$L_{AB}^{xx} = \int_0^b (1 - 2x/b + x^2/b^2) \frac{1}{EJ} dx + 1 \cdot 1 \cdot \frac{1}{4} \frac{b}{EJ} = \left[x - x^2/b + 1/3 x^3/b^2 \right]_0^b \frac{1}{EJ} + 1 \cdot 1 \cdot \frac{1}{4} \frac{b}{EJ}$$

$$= (b - b + 1/3 b) \frac{1}{EJ} + 1 \cdot 1 \cdot \frac{1}{4} \frac{b}{EJ} = 7/12 \frac{b}{EJ}$$

$$L_{BA}^{xx} = \int_0^b (x^2/b^2) \frac{1}{EJ} dx + 1 \cdot 1 \cdot \frac{1}{4} \frac{b}{EJ} = \left[1/3 x^3/b^2 \right]_0^b \frac{1}{EJ} + 1 \cdot 1 \cdot \frac{1}{4} \frac{b}{EJ}$$

$$= (1/3 b) \frac{1}{EJ} + 1 \cdot 1 \cdot \frac{1}{4} \frac{b}{EJ} = 7/12 \frac{b}{EJ}$$

$$L_{AD}^{xx} = \int_0^{2b} (1) \frac{1}{EJ} dx = \left[x \right]_0^{2b} \frac{1}{EJ}$$

$$= (2b) \frac{1}{EJ} = 2 \frac{b}{EJ}$$

$$L_{DA}^{xx} = \int_0^{2b} (1) \frac{1}{EJ} dx = \left[x \right]_0^{2b} \frac{1}{EJ}$$

$$= (2b) \frac{1}{EJ} = 2 \frac{b}{EJ}$$

$$L_{DE}^{xx} = \int_0^b (1 - 2x/b + x^2/b^2) \frac{1}{EJ} dx = \left[x - x^2/b + 1/3 x^3/b^2 \right]_0^b \frac{1}{EJ}$$

$$= (b - b + 1/3 b) \frac{1}{EJ} = 1/3 \frac{b}{EJ}$$

$$L_{ED}^{xx} = \int_0^b (x^2/b^2) \frac{1}{EJ} dx = \left[1/3 x^3/b^2 \right]_0^b \frac{1}{EJ}$$

$$= (1/3 b) \frac{1}{EJ} = 1/3 \frac{b}{EJ}$$

$$L_{AB}^{xo} = \int_0^b (3/2 x/b - x^2/b^2 - 1/2 x^3/b^3) Fb \frac{1}{EJ} dx + 1 \cdot 0 \cdot \frac{1}{4} \frac{Fb^2}{EJ}$$

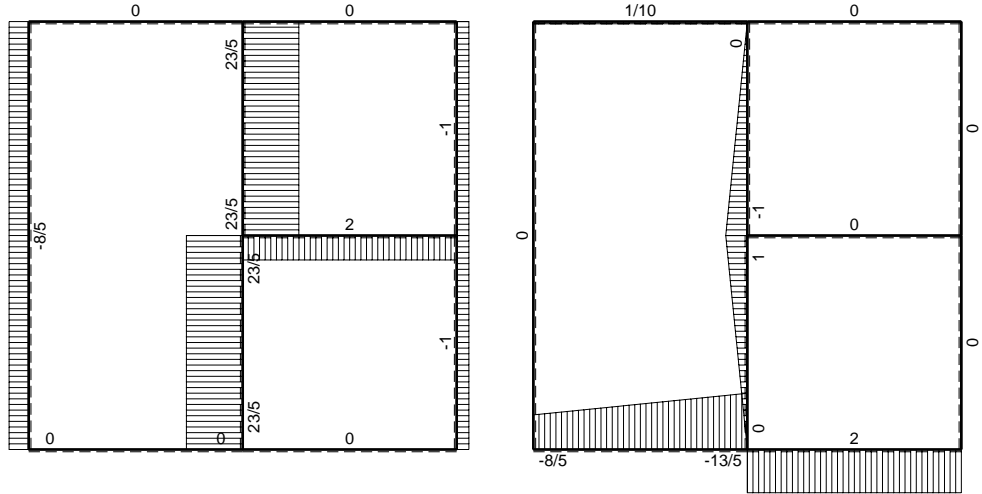
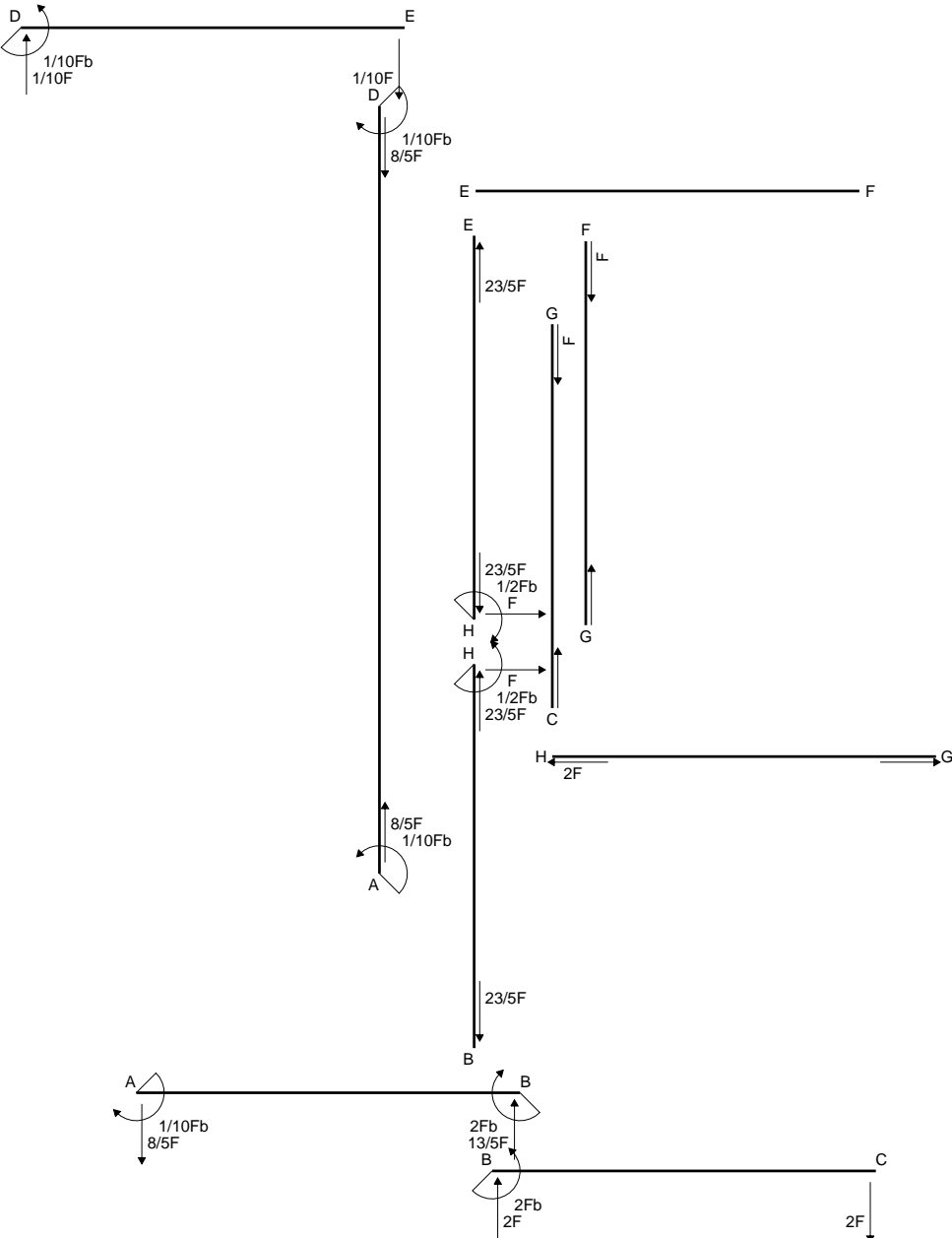
$$= \left[3/4 x^2/b - 1/3 x^3/b^2 - 1/8 x^4/b^3 \right]_0^b Fb \frac{1}{EJ} + 1 \cdot 0 \cdot \frac{1}{4} \frac{Fb^2}{EJ}$$

$$= (3/4 b - 1/3 b - 1/8 b) Fb \frac{1}{EJ} + 1 \cdot 0 \cdot \frac{1}{4} \frac{Fb^2}{EJ} = 7/24 \frac{Fb^2}{EJ}$$

$$L_{BA}^{xo} = \int_0^b (2x/b - 5/2 x^2/b^2 + 1/2 x^3/b^3) Fb \frac{1}{EJ} dx + 1 \cdot 0 \cdot \frac{1}{4} \frac{Fb^2}{EJ}$$

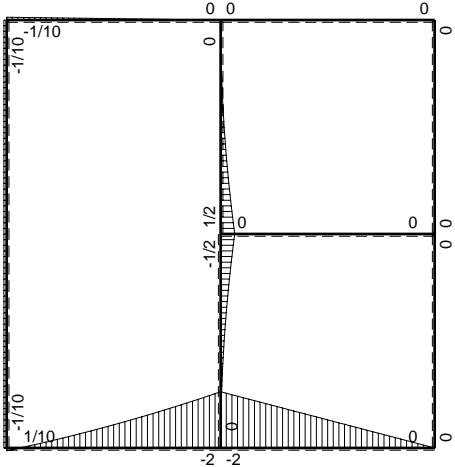
$$= \left[x^2/b - 5/6 x^3/b^2 + 1/8 x^4/b^3 \right]_0^b Fb \frac{1}{EJ} + 1 \cdot 0 \cdot \frac{1}{4} \frac{Fb^2}{EJ}$$

$$= (b - 5/6 b + 1/8 b) Fb \frac{1}{EJ} + 1 \cdot 0 \cdot \frac{1}{4} \frac{Fb^2}{EJ} = 7/24 \frac{Fb^2}{EJ}$$

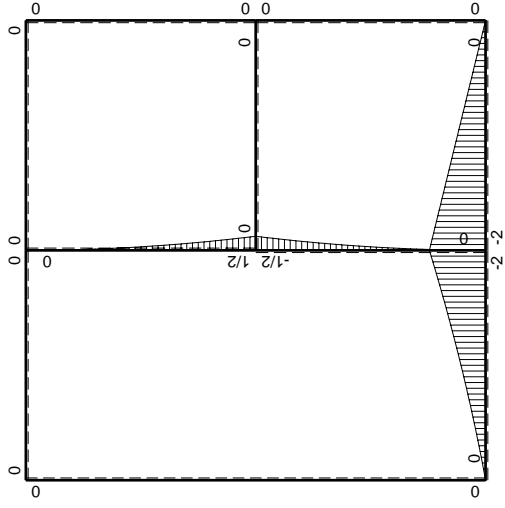
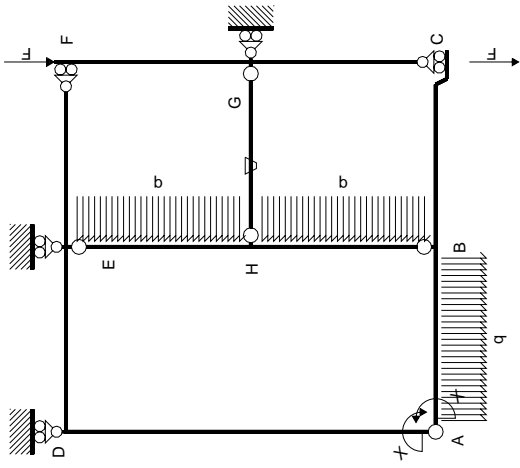


$\left[\begin{array}{c} + \\ - \end{array} \right] \rightarrow F$

$\left[\begin{array}{c} + \\ - \end{array} \right] \downarrow F$

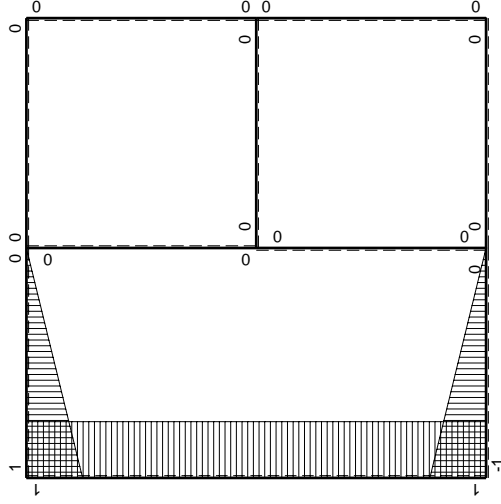


$\left[\begin{array}{c} + \\ - \end{array} \right] \curvearrowright F_b$



Schema di calcolo iperstatico

M_0 flessione da carichi assegnati



M_x flessione da iperstatica X=1

Quadro contributi PLV per iperstatica $X=W_{AB}$

→	$M_x(x)$	$M_o(x)$	θ	$M_x M_o$	$M_x \theta$	$M_x M_x$	$\int M_x(M_o/EJ+\theta)dx$	$\int X M_x M_x/EJ dx$	
AB b	$-1+x/b$	$-3/2Fx-1/2qx^2$	0	$3/2Fx-Fx^2/b-1/2qx^3/b$	0	$1-2x/b+x^2/b^2$	$(7/24+0)Fb^2/EJ$	$1/3Xb/EJ$	
BA b	x/b	$2Fb-5/2Fx+1/2qx^2$	0	$2Fx-5/2Fx^2/b+1/2qx^3/b$	0	x^2/b^2			
BC b	0	$-2Fb+2Fx$	0	0	0	0	0+0	0	
CB b	0	$2Fx$	0	0	0	0			
AD 2b	1	0	0	0	0	1	0+0	$2Xb/EJ$	
DA 2b	-1	0	0	0	0	1			
DE b	$1-x/b$	0	0	0	0	$1-2x/b+x^2/b^2$	0+0	$1/3Xb/EJ$	
ED b	$-x/b$	0	0	0	0	x^2/b^2			
EF b	0	0	0	0	0	0	0+0	0	
FE b	0	0	0	0	0	0			
FG b	0	0	0	0	0	0	0+0	0	
GF b	0	0	0	0	0	0			
GC b	0	0	0	0	0	0	0+0	0	
CG b	0	0	0	0	0	0			
HG b	0	0	$-Fb/EJ$	0	0	0	0+0	0	
GH b	0	0	Fb/EJ	0	0	0			
HB b	0	$-1/2Fb+Fx-1/2qx^2$	0	0	0	0	0+0	0	
BH b	0	$1/2qx^2$	0	0	0	0			
HE b	0	$1/2Fb-Fx+1/2qx^2$	0	0	0	0	0+0	0	
EH b	0	$-1/2qx^2$	0	0	0	0			
AB	molla asta $-W_{1AB}(W_{0AB}+XW_{1AB})/k_{AB}$								$1/4Xb/EJ$
	totali							$7/24Fb^2/EJ$	$35/12Xb/EJ$
	iperstatica $X=W_{AB}$							$-1/10Fb$	

Sviluppi di calcolo iperstatica

$$L_{AB}^{xx} = \int_0^b (1 - 2x/b + x^2/b^2) \frac{1}{EJ} dx + 1 \cdot 1 \cdot \frac{1}{4} \frac{b}{EJ} = \left[x - \frac{x^2}{b} + \frac{1}{3} \frac{x^3}{b^2} \right]_0^b \frac{1}{EJ} + 1 \cdot 1 \cdot \frac{1}{4} \frac{b}{EJ}$$

$$= (b - b + \frac{1}{3}b) \frac{1}{EJ} + 1 \cdot 1 \cdot \frac{1}{4} \frac{b}{EJ} = \frac{7}{12} \frac{b}{EJ}$$

$$L_{BA}^{xx} = \int_0^b (x^2/b^2) \frac{1}{EJ} dx + 1 \cdot 1 \cdot \frac{1}{4} \frac{b}{EJ} = \left[\frac{1}{3} \frac{x^3}{b^2} \right]_0^b \frac{1}{EJ} + 1 \cdot 1 \cdot \frac{1}{4} \frac{b}{EJ}$$

$$= (\frac{1}{3}b) \frac{1}{EJ} + 1 \cdot 1 \cdot \frac{1}{4} \frac{b}{EJ} = \frac{7}{12} \frac{b}{EJ}$$

$$L_{AD}^{xx} = \int_0^{2b} (1) \frac{1}{EJ} dx = \left[x \right]_0^{2b} \frac{1}{EJ}$$

$$= (2b) \frac{1}{EJ} = 2 \frac{b}{EJ}$$

$$L_{DA}^{xx} = \int_0^{2b} (1) \frac{1}{EJ} dx = \left[x \right]_0^{2b} \frac{1}{EJ}$$

$$= (2b) \frac{1}{EJ} = 2 \frac{b}{EJ}$$

$$L_{DE}^{xx} = \int_0^b (1 - 2x/b + x^2/b^2) \frac{1}{EJ} dx = \left[x - \frac{x^2}{b} + \frac{1}{3} \frac{x^3}{b^2} \right]_0^b \frac{1}{EJ}$$

$$= (b - b + \frac{1}{3}b) \frac{1}{EJ} = \frac{1}{3} \frac{b}{EJ}$$

$$L_{ED}^{xx} = \int_0^b (x^2/b^2) \frac{1}{EJ} dx = \left[\frac{1}{3} \frac{x^3}{b^2} \right]_0^b \frac{1}{EJ}$$

$$= (\frac{1}{3}b) \frac{1}{EJ} = \frac{1}{3} \frac{b}{EJ}$$

$$L_{AB}^{xo} = \int_0^b (3/2 x/b - x^2/b^2 - 1/2 x^3/b^3) Fb \frac{1}{EJ} dx + 1 \cdot 0 \cdot \frac{1}{4} \frac{Fb^2}{EJ}$$

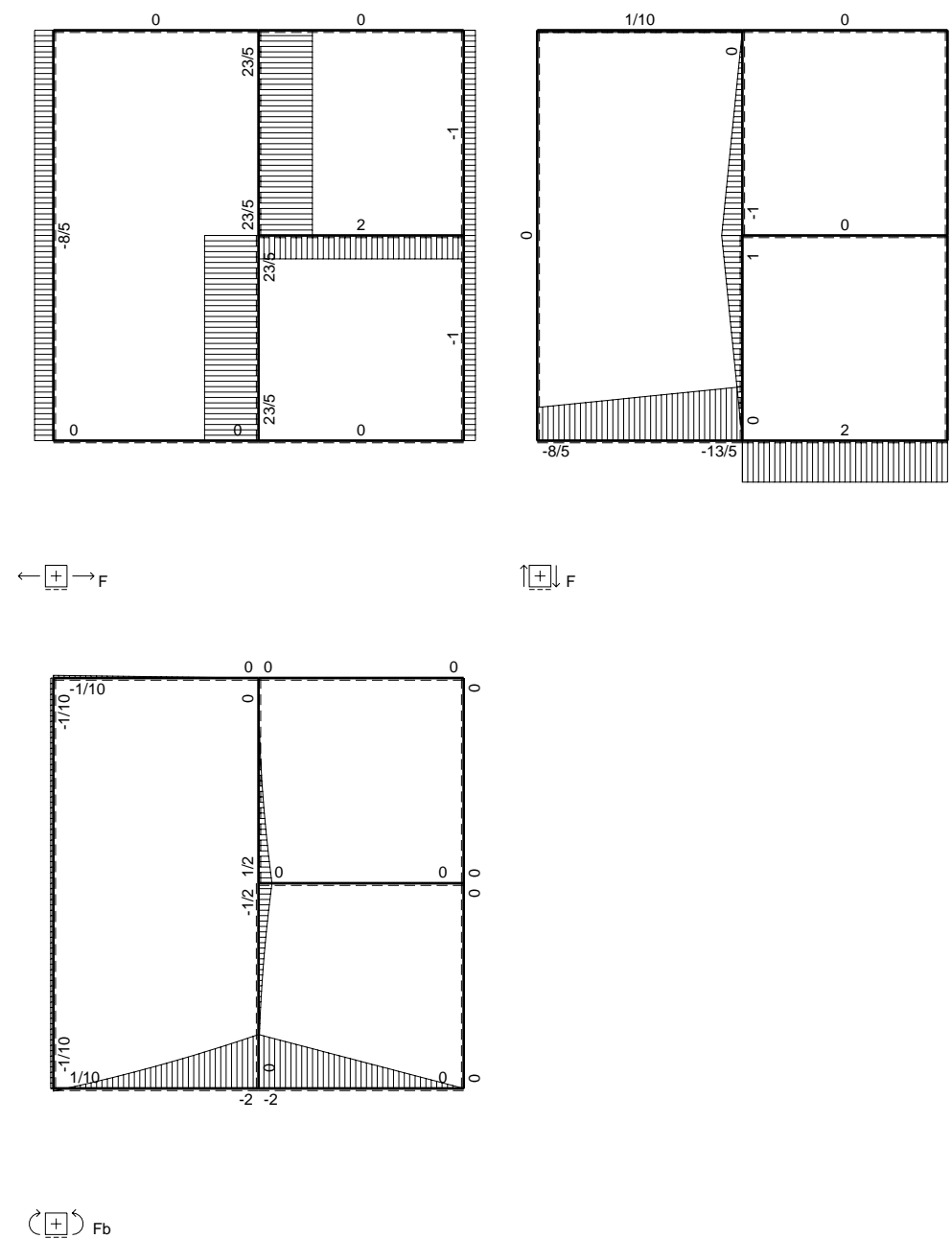
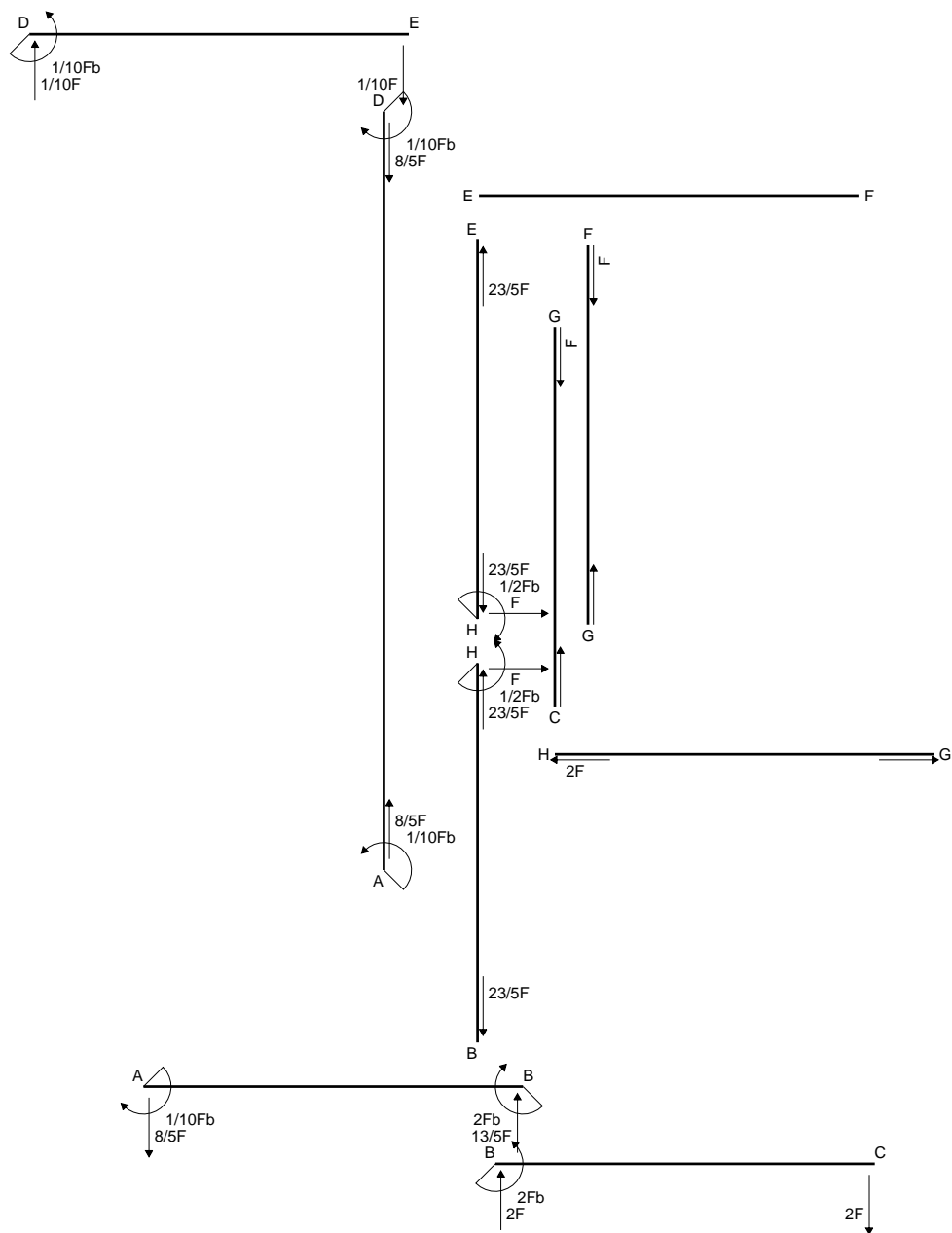
$$= \left[\frac{3}{4} \frac{x^2}{b} - \frac{1}{3} \frac{x^3}{b^2} - \frac{1}{8} \frac{x^4}{b^3} \right]_0^b Fb \frac{1}{EJ} + 1 \cdot 0 \cdot \frac{1}{4} \frac{Fb^2}{EJ}$$

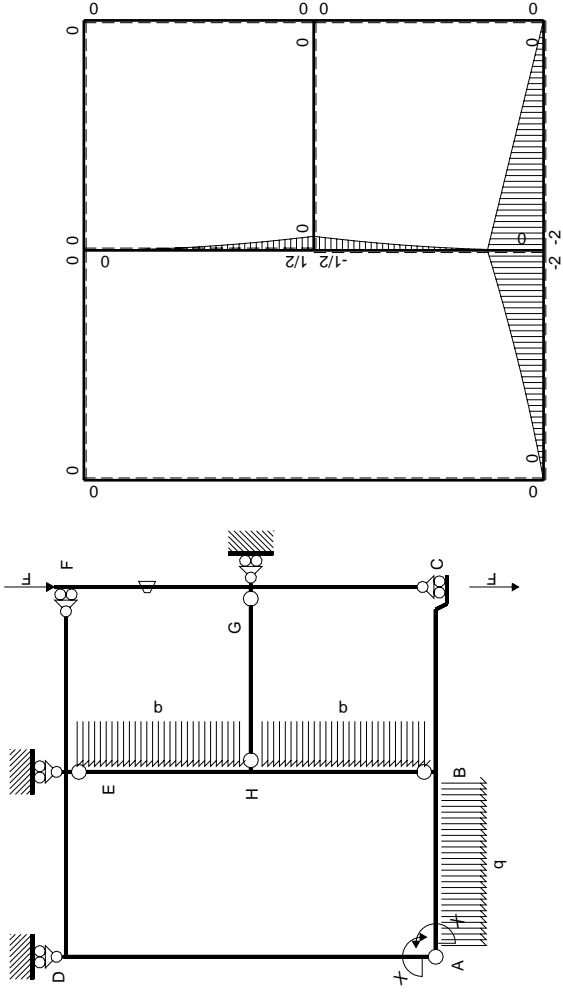
$$= (\frac{3}{4}b - \frac{1}{3}b - \frac{1}{8}b) Fb \frac{1}{EJ} + 1 \cdot 0 \cdot \frac{1}{4} \frac{Fb^2}{EJ} = \frac{7}{24} \frac{Fb^2}{EJ}$$

$$L_{BA}^{xo} = \int_0^b (2x/b - 5/2 x^2/b^2 + 1/2 x^3/b^3) Fb \frac{1}{EJ} dx + 1 \cdot 0 \cdot \frac{1}{4} \frac{Fb^2}{EJ}$$

$$= \left[\frac{x^2}{b} - \frac{5}{6} \frac{x^3}{b^2} + \frac{1}{8} \frac{x^4}{b^3} \right]_0^b Fb \frac{1}{EJ} + 1 \cdot 0 \cdot \frac{1}{4} \frac{Fb^2}{EJ}$$

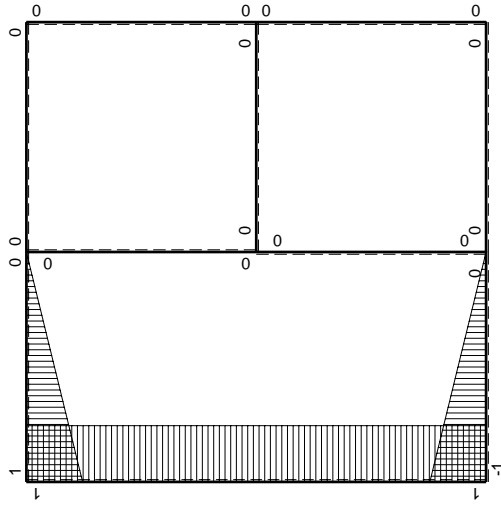
$$= (b - \frac{5}{6}b + \frac{1}{8}b) Fb \frac{1}{EJ} + 1 \cdot 0 \cdot \frac{1}{4} \frac{Fb^2}{EJ} = \frac{7}{24} \frac{Fb^2}{EJ}$$





Schema di calcolo iperstatico

M_0 flessione da carichi assegnati



M_x flessione da iperstatica $X=1$

Quadro contributi PLV per iperstatica $X=W_{AB}$

→	$M_x(x)$	$M_o(x)$	θ	$M_x M_o$	$M_x \theta$	$M_x M_x$	$\int M_x(M_o/EJ+\theta)dx$	$\int X M_x M_x/EJ dx$	
AB b	$-1+x/b$	$-3/2Fx-1/2qx^2$	0	$3/2Fx-Fx^2/b-1/2qx^3/b$	0	$1-2x/b+x^2/b^2$	$(7/24+0)Fb^2/EJ$	$1/3Xb/EJ$	
BA b	x/b	$2Fb-5/2Fx+1/2qx^2$	0	$2Fx-5/2Fx^2/b+1/2qx^3/b$	0	x^2/b^2			
BC b	0	$-2Fb+2Fx$	0	0	0	0	0+0	0	
CB b	0	$2Fx$	0	0	0	0			
AD 2b	1	0	0	0	0	1	0+0	$2Xb/EJ$	
DA 2b	-1	0	0	0	0	1			
DE b	$1-x/b$	0	0	0	0	$1-2x/b+x^2/b^2$	0+0	$1/3Xb/EJ$	
ED b	$-x/b$	0	0	0	0	x^2/b^2			
EF b	0	0	0	0	0	0	0+0	0	
FE b	0	0	0	0	0	0			
FG b	0	0	$-Fb/EJ$	0	0	0	0+0	0	
GF b	0	0	Fb/EJ	0	0	0			
GC b	0	0	0	0	0	0	0+0	0	
CG b	0	0	0	0	0	0			
HG b	0	0	0	0	0	0	0+0	0	
GH b	0	0	0	0	0	0			
HB b	0	$-1/2Fb+Fx-1/2qx^2$	0	0	0	0	0+0	0	
BH b	0	$1/2qx^2$	0	0	0	0			
HE b	0	$1/2Fb-Fx+1/2qx^2$	0	0	0	0	0+0	0	
EH b	0	$-1/2qx^2$	0	0	0	0			
AB	molla asta $-W_{1AB}(W_{0AB}+XW_{1AB})/k_{AB}$								$1/4Xb/EJ$
	totali							$7/24Fb^2/EJ$	$35/12Xb/EJ$
	iperstatica $X=W_{AB}$							$-1/10Fb$	

Sviluppi di calcolo iperstatica

$$L_{AB}^{xx} = \int_0^b (1 - 2x/b + x^2/b^2) \cdot 1/EJ \, dx + 1 \cdot 1/4 \cdot b/EJ = \left[x - x^2/b + 1/3 x^3/b^2 \right]_0^b \cdot 1/EJ + 1 \cdot 1/4 \cdot b/EJ$$

$$= (b - b + 1/3 b) \cdot 1/EJ + 1 \cdot 1/4 \cdot b/EJ = 7/12 \cdot b/EJ$$

$$L_{BA}^{xx} = \int_0^b (x^2/b^2) \cdot 1/EJ \, dx + 1 \cdot 1/4 \cdot b/EJ = \left[1/3 x^3/b^2 \right]_0^b \cdot 1/EJ + 1 \cdot 1/4 \cdot b/EJ$$

$$= (1/3 b) \cdot 1/EJ + 1 \cdot 1/4 \cdot b/EJ = 7/12 \cdot b/EJ$$

$$L_{AD}^{xx} = \int_0^{2b} (1) \cdot 1/EJ \, dx = \left[x \right]_0^{2b} \cdot 1/EJ$$

$$= (2b) \cdot 1/EJ = 2 \cdot b/EJ$$

$$L_{DA}^{xx} = \int_0^{2b} (1) \cdot 1/EJ \, dx = \left[x \right]_0^{2b} \cdot 1/EJ$$

$$= (2b) \cdot 1/EJ = 2 \cdot b/EJ$$

$$L_{DE}^{xx} = \int_0^b (1 - 2x/b + x^2/b^2) \cdot 1/EJ \, dx = \left[x - x^2/b + 1/3 x^3/b^2 \right]_0^b \cdot 1/EJ$$

$$= (b - b + 1/3 b) \cdot 1/EJ = 1/3 \cdot b/EJ$$

$$L_{ED}^{xx} = \int_0^b (x^2/b^2) \cdot 1/EJ \, dx = \left[1/3 x^3/b^2 \right]_0^b \cdot 1/EJ$$

$$= (1/3 b) \cdot 1/EJ = 1/3 \cdot b/EJ$$

$$L_{AB}^{xo} = \int_0^b (3/2 x/b - x^2/b^2 - 1/2 x^3/b^3) \cdot Fb \cdot 1/EJ \, dx + 1 \cdot 0 \cdot 1/4 \cdot Fb^2/EJ$$

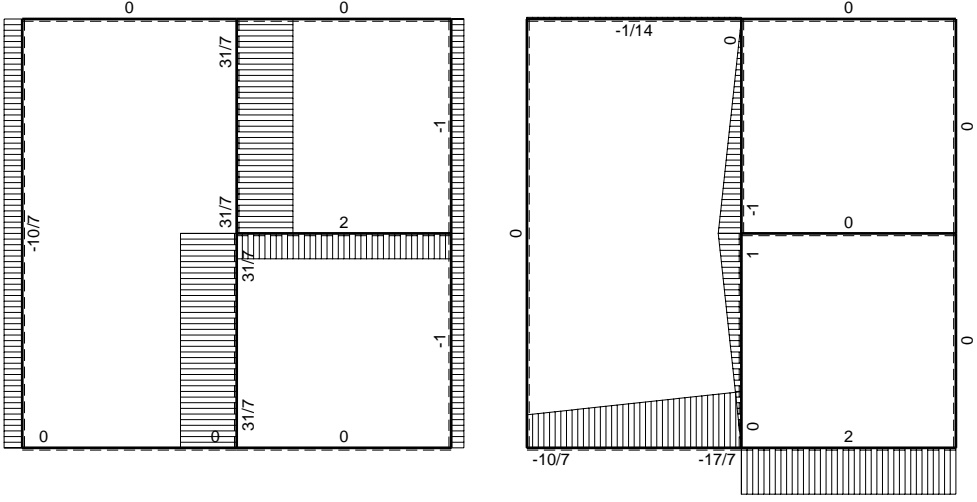
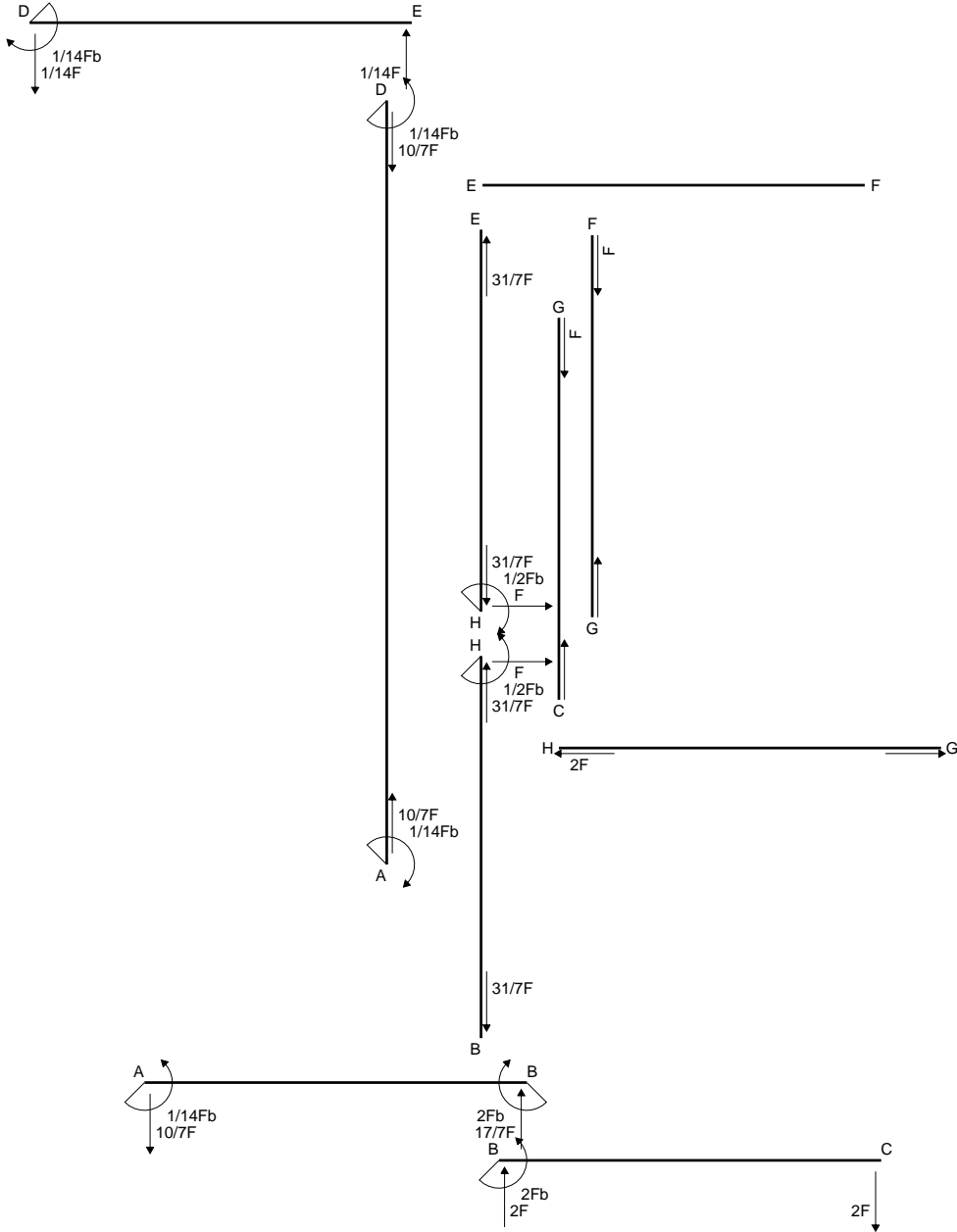
$$= \left[3/4 x^2/b - 1/3 x^3/b^2 - 1/8 x^4/b^3 \right]_0^b \cdot Fb \cdot 1/EJ + 1 \cdot 0 \cdot 1/4 \cdot Fb^2/EJ$$

$$= (3/4 b - 1/3 b - 1/8 b) \cdot Fb \cdot 1/EJ + 1 \cdot 0 \cdot 1/4 \cdot Fb^2/EJ = 7/24 \cdot Fb^2/EJ$$

$$L_{BA}^{xo} = \int_0^b (2x/b - 5/2 x^2/b^2 + 1/2 x^3/b^3) \cdot Fb \cdot 1/EJ \, dx + 1 \cdot 0 \cdot 1/4 \cdot Fb^2/EJ$$

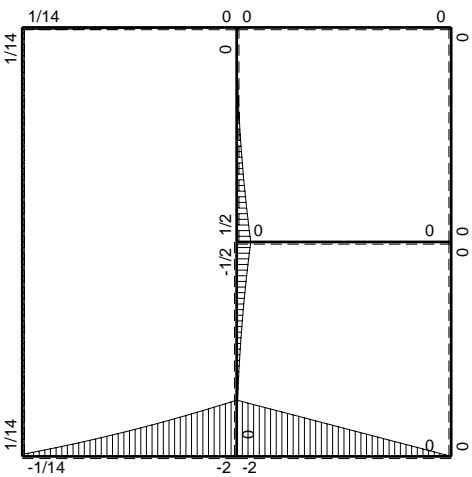
$$= \left[x^2/b - 5/6 x^3/b^2 + 1/8 x^4/b^3 \right]_0^b \cdot Fb \cdot 1/EJ + 1 \cdot 0 \cdot 1/4 \cdot Fb^2/EJ$$

$$= (b - 5/6 b + 1/8 b) \cdot Fb \cdot 1/EJ + 1 \cdot 0 \cdot 1/4 \cdot Fb^2/EJ = 7/24 \cdot Fb^2/EJ$$

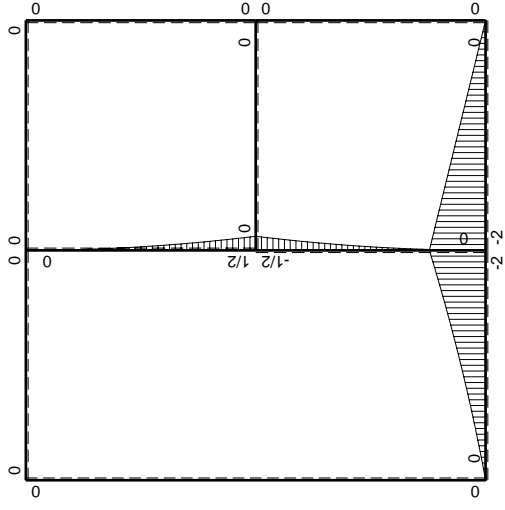
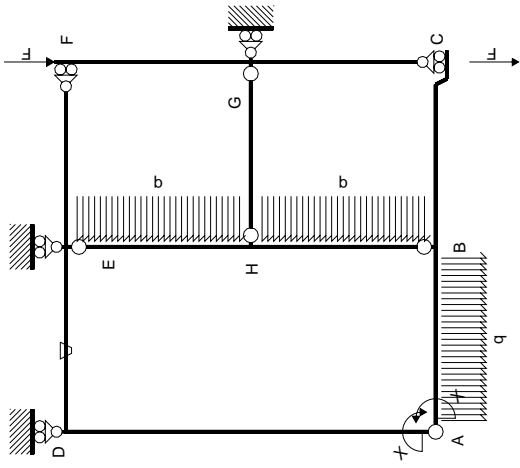


← ⊕ → F

↑ ⊕ ↓ F

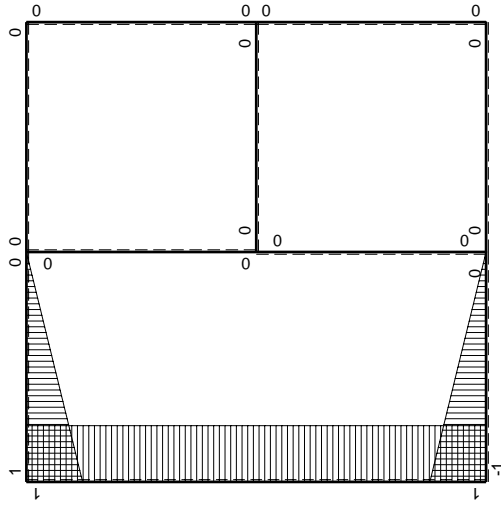


⊕ ⊖ F_b



Schema di calcolo iperstatico

M_0 flessione da carichi assegnati



M_x flessione da iperstatica $X=1$

Quadro contributi PLV per iperstatica $X=W_{AB}$

→	$M_x(x)$	$M_o(x)$	θ	$M_x M_o$	$M_x \theta$	$M_x M_x$	$\int M_x(M_o/EJ+\theta)dx$	$\int X M_x M_x / EJ dx$	
AB b	$-1+x/b$	$-3/2Fx-1/2qx^2$	0	$3/2Fx-Fx^2/b-1/2qx^3/b$	0	$1-2x/b+x^2/b^2$	$(7/24+0)Fb^2/EJ$	$1/3Xb/EJ$	
BA b	x/b	$2Fb-5/2Fx+1/2qx^2$	0	$2Fx-5/2Fx^2/b+1/2qx^3/b$	0	x^2/b^2			
BC b	0	$-2Fb+2Fx$	0	0	0	0	0+0	0	
CB b	0	$2Fx$	0	0	0	0			
AD 2b	1	0	0	0	0	1	0+0	$2Xb/EJ$	
DA 2b	-1	0	0	0	0	1			
DE b	$1-x/b$	0	$-Fb/EJ$	0	$-Fb/EJ+Fx/EJ$	$1-2x/b+x^2/b^2$	$(0-1/2)Fb^2/EJ$	$1/3Xb/EJ$	
ED b	$-x/b$	0	Fb/EJ	0	$-Fx/EJ$	x^2/b^2			
EF b	0	0	0	0	0	0	0+0	0	
FE b	0	0	0	0	0	0			
FG b	0	0	0	0	0	0	0+0	0	
GF b	0	0	0	0	0	0			
GC b	0	0	0	0	0	0	0+0	0	
CG b	0	0	0	0	0	0			
HG b	0	0	0	0	0	0	0+0	0	
GH b	0	0	0	0	0	0			
HB b	0	$-1/2Fb+Fx-1/2qx^2$	0	0	0	0	0+0	0	
BH b	0	$1/2qx^2$	0	0	0	0			
HE b	0	$1/2Fb-Fx+1/2qx^2$	0	0	0	0	0+0	0	
EH b	0	$-1/2qx^2$	0	0	0	0			
AB	molla asta $-W_{1AB}(W_{0AB}+XW_{1AB})/k_{AB}$								$1/4Xb/EJ$
	totali							$-5/24Fb^2/EJ$	$35/12Xb/EJ$
	iperstatica $X=W_{AB}$							$1/14Fb$	

Sviluppi di calcolo iperstatica

$$L_{AB}^{xx} = \int_0^b (1 - 2x/b + x^2/b^2) \cdot 1/EJ \, dx + 1 \cdot 1/4 \cdot b/EJ = \left[x - x^2/b + 1/3 x^3/b^2 \right]_0^b \cdot 1/EJ + 1 \cdot 1/4 \cdot b/EJ$$

$$= (b - b + 1/3 b) \cdot 1/EJ + 1 \cdot 1/4 \cdot b/EJ = 7/12 \cdot b/EJ$$

$$L_{BA}^{xx} = \int_0^b (x^2/b^2) \cdot 1/EJ \, dx + 1 \cdot 1/4 \cdot b/EJ = \left[1/3 x^3/b^2 \right]_0^b \cdot 1/EJ + 1 \cdot 1/4 \cdot b/EJ$$

$$= (1/3 b) \cdot 1/EJ + 1 \cdot 1/4 \cdot b/EJ = 7/12 \cdot b/EJ$$

$$L_{AD}^{xx} = \int_0^{2b} (1) \cdot 1/EJ \, dx = \left[x \right]_0^{2b} \cdot 1/EJ$$

$$= (2b) \cdot 1/EJ = 2 \cdot b/EJ$$

$$L_{DA}^{xx} = \int_0^{2b} (1) \cdot 1/EJ \, dx = \left[x \right]_0^{2b} \cdot 1/EJ$$

$$= (2b) \cdot 1/EJ = 2 \cdot b/EJ$$

$$L_{DE}^{xx} = \int_0^b (1 - 2x/b + x^2/b^2) \cdot 1/EJ \, dx = \left[x - x^2/b + 1/3 x^3/b^2 \right]_0^b \cdot 1/EJ$$

$$= (b - b + 1/3 b) \cdot 1/EJ = 1/3 \cdot b/EJ$$

$$L_{ED}^{xx} = \int_0^b (x^2/b^2) \cdot 1/EJ \, dx = \left[1/3 x^3/b^2 \right]_0^b \cdot 1/EJ$$

$$= (1/3 b) \cdot 1/EJ = 1/3 \cdot b/EJ$$

$$L_{AB}^{xo} = \int_0^b (3/2 x/b - x^2/b^2 - 1/2 x^3/b^3) \cdot Fb \cdot 1/EJ \, dx + 1 \cdot 0 \cdot 1/4 \cdot Fb^2/EJ$$

$$= \left[3/4 x^2/b - 1/3 x^3/b^2 - 1/8 x^4/b^3 \right]_0^b \cdot Fb \cdot 1/EJ + 1 \cdot 0 \cdot 1/4 \cdot Fb^2/EJ$$

$$= (3/4 b - 1/3 b - 1/8 b) \cdot Fb \cdot 1/EJ + 1 \cdot 0 \cdot 1/4 \cdot Fb^2/EJ = 7/24 \cdot Fb^2/EJ$$

$$L_{BA}^{xo} = \int_0^b (2x/b - 5/2 x^2/b^2 + 1/2 x^3/b^3) \cdot Fb \cdot 1/EJ \, dx + 1 \cdot 0 \cdot 1/4 \cdot Fb^2/EJ$$

$$= \left[x^2/b - 5/6 x^3/b^2 + 1/8 x^4/b^3 \right]_0^b \cdot Fb \cdot 1/EJ + 1 \cdot 0 \cdot 1/4 \cdot Fb^2/EJ$$

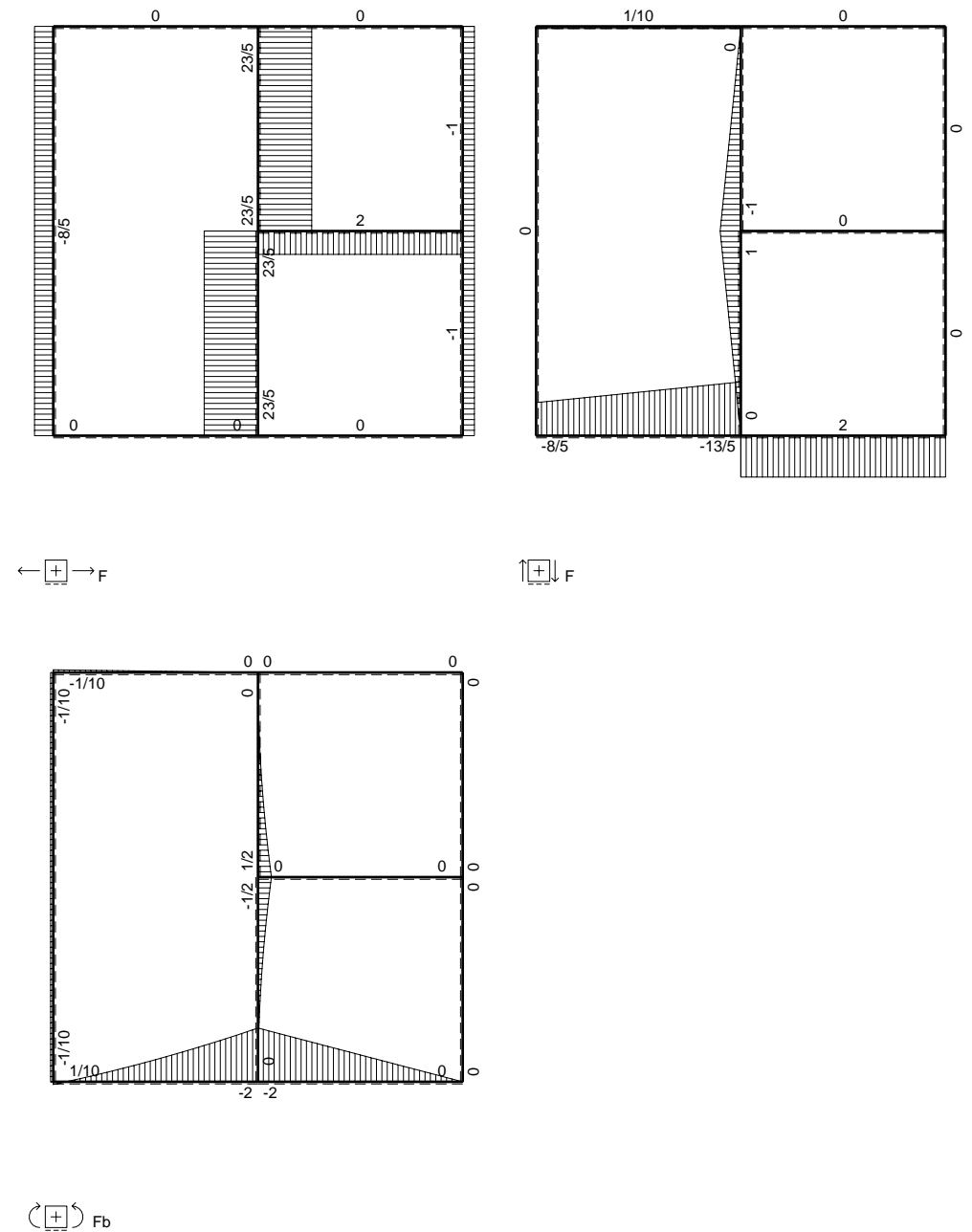
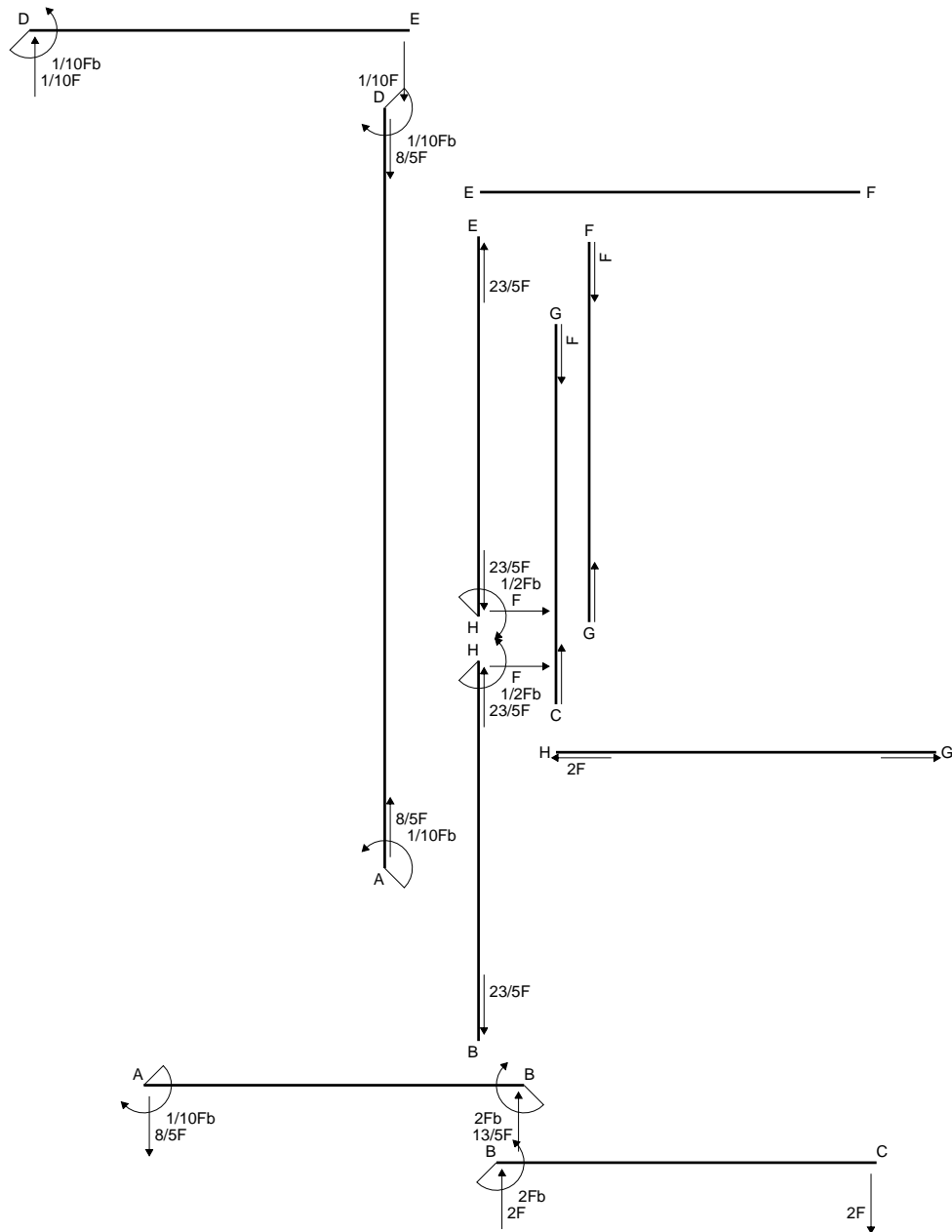
$$= (b - 5/6 b + 1/8 b) \cdot Fb \cdot 1/EJ + 1 \cdot 0 \cdot 1/4 \cdot Fb^2/EJ = 7/24 \cdot Fb^2/EJ$$

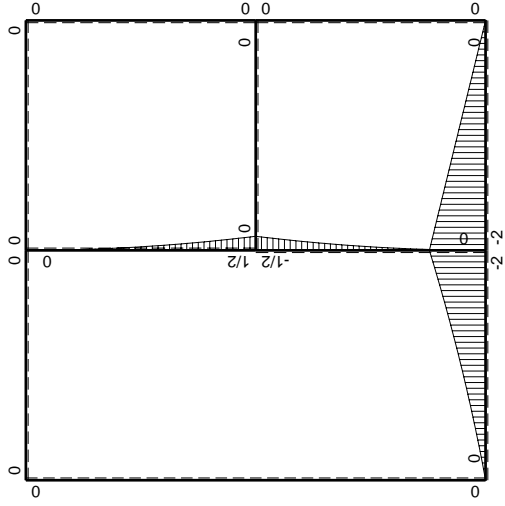
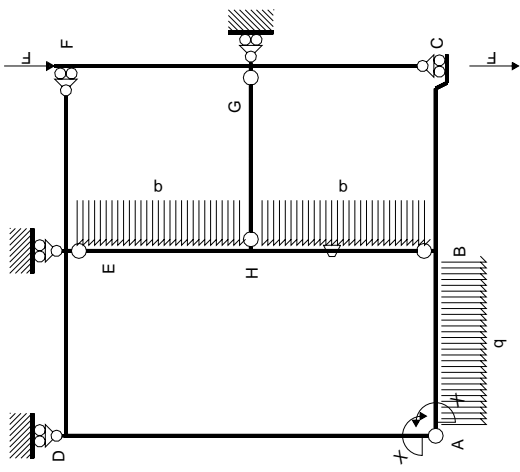
$$L_{DE}^{xo} = \int_0^b (-1 + x/b) \cdot \theta \, dx = \left[-x + 1/2 x^2/b \right]_0^b \cdot \theta$$

$$= (-b + 1/2 b) \cdot \theta = -1/2 \cdot Fb^2/EJ$$

$$L_{ED}^{xo} = \int_0^b (x/b) \cdot \theta \, dx = \left[1/2 x^2/b \right]_0^b \cdot \theta$$

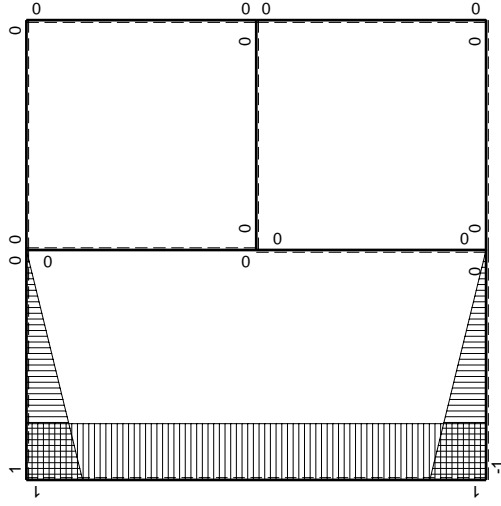
$$= (1/2 b) \cdot \theta = -1/2 \cdot Fb^2/EJ$$





Schema di calcolo iperstatico

M_0 flessione da carichi assegnati



M_x flessione da iperstatica X=1

Quadro contributi PLV per iperstatica $X=W_{AB}$

→	$M_x(x)$	$M_o(x)$	θ	$M_x M_o$	$M_x \theta$	$M_x M_x$	$\int M_x(M_o/EJ+\theta)dx$	$\int X M_x M_x/EJ dx$	
AB b	$-1+x/b$	$-3/2Fx-1/2qx^2$	0	$3/2Fx-Fx^2/b-1/2qx^3/b$	0	$1-2x/b+x^2/b^2$	$(7/24+0)Fb^2/EJ$	$1/3Xb/EJ$	
BA b	x/b	$2Fb-5/2Fx+1/2qx^2$	0	$2Fx-5/2Fx^2/b+1/2qx^3/b$	0	x^2/b^2			
BC b	0	$-2Fb+2Fx$	0	0	0	0	0+0	0	
CB b	0	$2Fx$	0	0	0	0			
AD 2b	1	0	0	0	0	1	0+0	$2Xb/EJ$	
DA 2b	-1	0	0	0	0	1			
DE b	$1-x/b$	0	0	0	0	$1-2x/b+x^2/b^2$	0+0	$1/3Xb/EJ$	
ED b	$-x/b$	0	0	0	0	x^2/b^2			
EF b	0	0	0	0	0	0	0+0	0	
FE b	0	0	0	0	0	0			
FG b	0	0	0	0	0	0	0+0	0	
GF b	0	0	0	0	0	0			
GC b	0	0	0	0	0	0	0+0	0	
CG b	0	0	0	0	0	0			
HG b	0	0	0	0	0	0	0+0	0	
GH b	0	0	0	0	0	0			
HB b	0	$-1/2Fb+Fx-1/2qx^2$	$-Fb/EJ$	0	0	0	0+0	0	
BH b	0	$1/2qx^2$	Fb/EJ	0	0	0			
HE b	0	$1/2Fb-Fx+1/2qx^2$	0	0	0	0	0+0	0	
EH b	0	$-1/2qx^2$	0	0	0	0			
AB	molla asta $-W_{1AB}(W_{0AB}+XW_{1AB})/k_{AB}$								$1/4Xb/EJ$
	totali							$7/24Fb^2/EJ$	$35/12Xb/EJ$
	iperstatica $X=W_{AB}$							$-1/10Fb$	

Sviluppi di calcolo iperstatica

$$L_{AB}^{xx} = \int_0^b (1 - 2x/b + x^2/b^2) \frac{1}{EJ} dx + 1 \cdot 1 \cdot \frac{1}{4} \frac{b}{EJ} = \left[x - \frac{x^2}{b} + \frac{1}{3} \frac{x^3}{b^2} \right]_0^b \frac{1}{EJ} + 1 \cdot 1 \cdot \frac{1}{4} \frac{b}{EJ}$$

$$= (b - b + \frac{1}{3}b) \frac{1}{EJ} + 1 \cdot 1 \cdot \frac{1}{4} \frac{b}{EJ} = \frac{7}{12} \frac{b}{EJ}$$

$$L_{BA}^{xx} = \int_0^b (x^2/b^2) \frac{1}{EJ} dx + 1 \cdot 1 \cdot \frac{1}{4} \frac{b}{EJ} = \left[\frac{1}{3} \frac{x^3}{b^2} \right]_0^b \frac{1}{EJ} + 1 \cdot 1 \cdot \frac{1}{4} \frac{b}{EJ}$$

$$= (\frac{1}{3}b) \frac{1}{EJ} + 1 \cdot 1 \cdot \frac{1}{4} \frac{b}{EJ} = \frac{7}{12} \frac{b}{EJ}$$

$$L_{AD}^{xx} = \int_0^{2b} (1) \frac{1}{EJ} dx = \left[x \right]_0^{2b} \frac{1}{EJ}$$

$$= (2b) \frac{1}{EJ} = 2 \frac{b}{EJ}$$

$$L_{DA}^{xx} = \int_0^{2b} (1) \frac{1}{EJ} dx = \left[x \right]_0^{2b} \frac{1}{EJ}$$

$$= (2b) \frac{1}{EJ} = 2 \frac{b}{EJ}$$

$$L_{DE}^{xx} = \int_0^b (1 - 2x/b + x^2/b^2) \frac{1}{EJ} dx = \left[x - \frac{x^2}{b} + \frac{1}{3} \frac{x^3}{b^2} \right]_0^b \frac{1}{EJ}$$

$$= (b - b + \frac{1}{3}b) \frac{1}{EJ} = \frac{1}{3} \frac{b}{EJ}$$

$$L_{ED}^{xx} = \int_0^b (x^2/b^2) \frac{1}{EJ} dx = \left[\frac{1}{3} \frac{x^3}{b^2} \right]_0^b \frac{1}{EJ}$$

$$= (\frac{1}{3}b) \frac{1}{EJ} = \frac{1}{3} \frac{b}{EJ}$$

$$L_{AB}^{xo} = \int_0^b (3/2 x/b - x^2/b^2 - 1/2 x^3/b^3) Fb \frac{1}{EJ} dx + 1 \cdot 0 \cdot \frac{1}{4} \frac{Fb^2}{EJ}$$

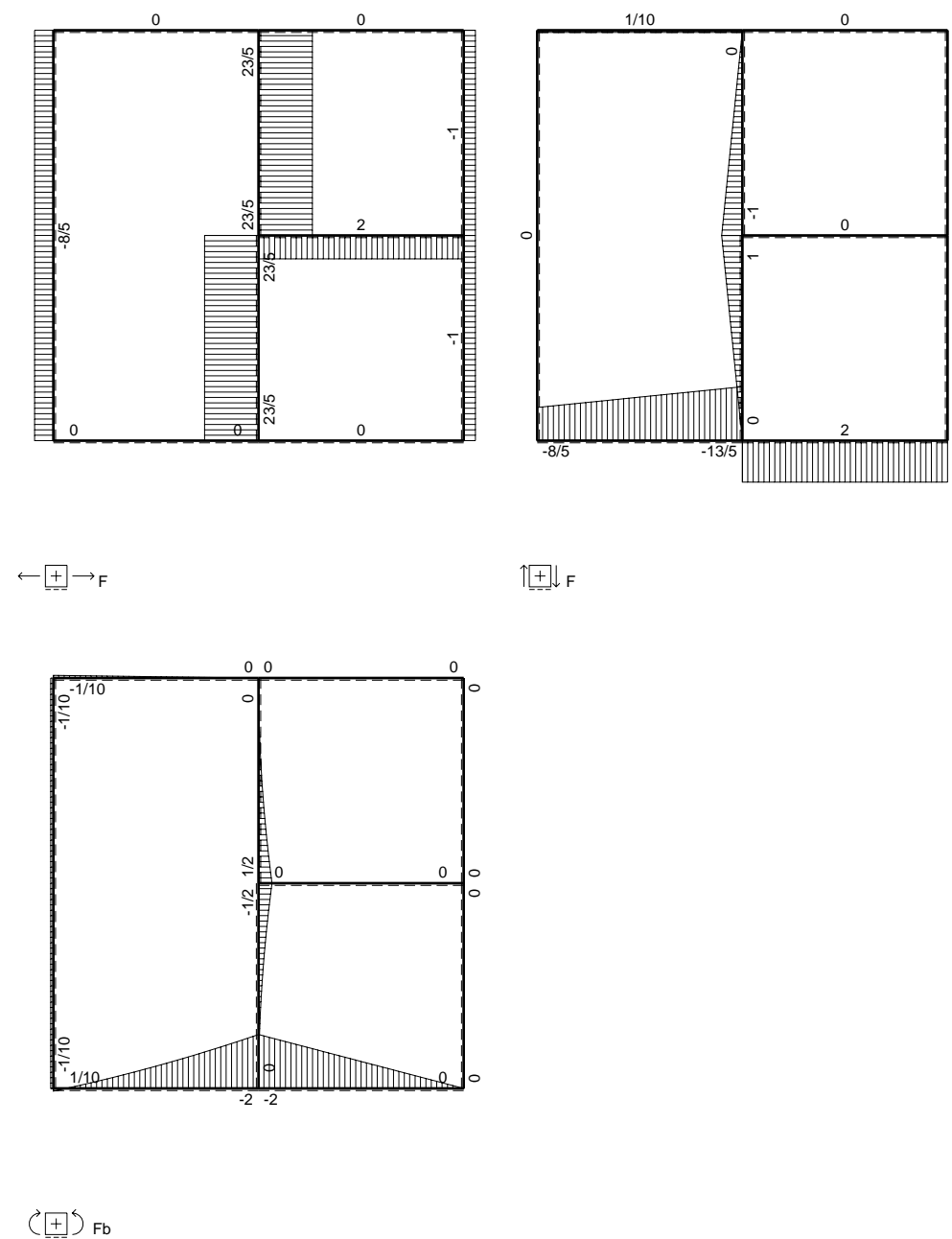
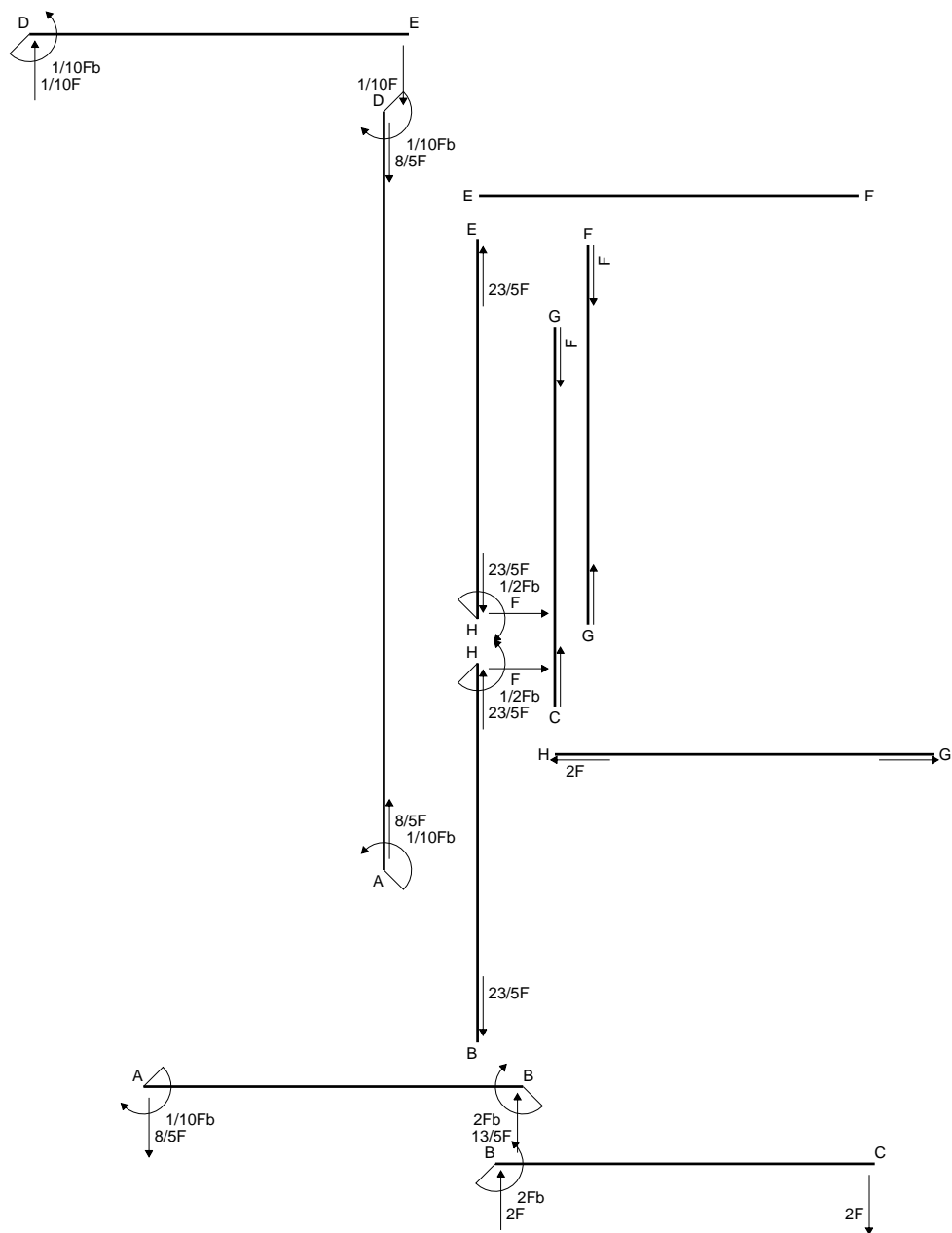
$$= \left[\frac{3}{4} \frac{x^2}{b} - \frac{1}{3} \frac{x^3}{b^2} - \frac{1}{8} \frac{x^4}{b^3} \right]_0^b Fb \frac{1}{EJ} + 1 \cdot 0 \cdot \frac{1}{4} \frac{Fb^2}{EJ}$$

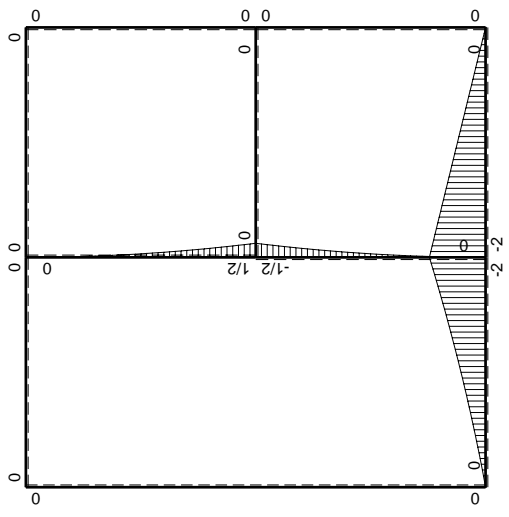
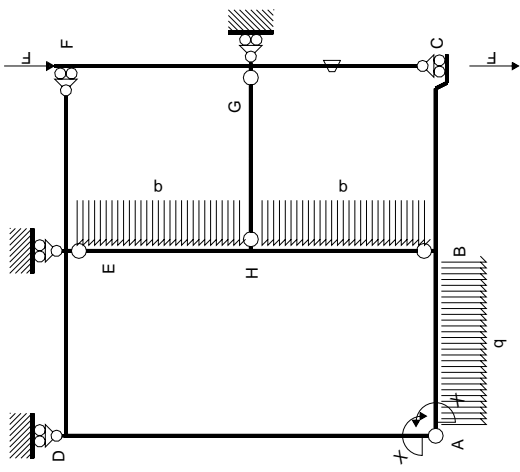
$$= (\frac{3}{4}b - \frac{1}{3}b - \frac{1}{8}b) Fb \frac{1}{EJ} + 1 \cdot 0 \cdot \frac{1}{4} \frac{Fb^2}{EJ} = \frac{7}{24} \frac{Fb^2}{EJ}$$

$$L_{BA}^{xo} = \int_0^b (2x/b - 5/2 x^2/b^2 + 1/2 x^3/b^3) Fb \frac{1}{EJ} dx + 1 \cdot 0 \cdot \frac{1}{4} \frac{Fb^2}{EJ}$$

$$= \left[\frac{x^2}{b} - \frac{5}{6} \frac{x^3}{b^2} + \frac{1}{8} \frac{x^4}{b^3} \right]_0^b Fb \frac{1}{EJ} + 1 \cdot 0 \cdot \frac{1}{4} \frac{Fb^2}{EJ}$$

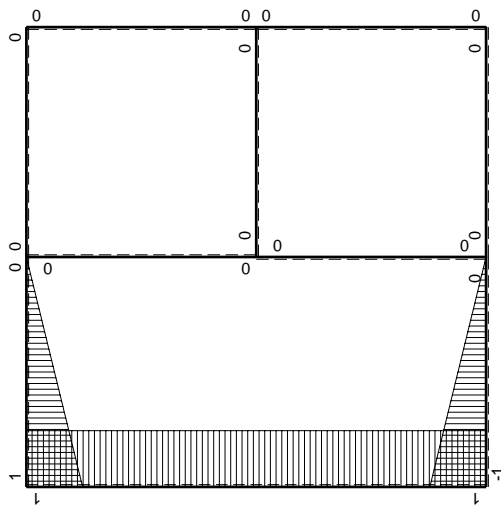
$$= (b - \frac{5}{6}b + \frac{1}{8}b) Fb \frac{1}{EJ} + 1 \cdot 0 \cdot \frac{1}{4} \frac{Fb^2}{EJ} = \frac{7}{24} \frac{Fb^2}{EJ}$$





Schema di calcolo iperstatico

M_0 flessione da carichi assegnati



M_x flessione da iperstatica X=1

Quadro contributi PLV per iperstatica $X=W_{AB}$

→	$M_x(x)$	$M_o(x)$	θ	$M_x M_o$	$M_x \theta$	$M_x M_x$	$\int M_x(M_o/EJ+\theta)dx$	$\int X M_x M_x/EJ dx$	
AB b	$-1+x/b$	$-3/2Fx-1/2qx^2$	0	$3/2Fx-Fx^2/b-1/2qx^3/b$	0	$1-2x/b+x^2/b^2$	$(7/24+0)Fb^2/EJ$	$1/3Xb/EJ$	
BA b	x/b	$2Fb-5/2Fx+1/2qx^2$	0	$2Fx-5/2Fx^2/b+1/2qx^3/b$	0	x^2/b^2			
BC b	0	$-2Fb+2Fx$	0	0	0	0	0+0	0	
CB b	0	$2Fx$	0	0	0	0			
AD 2b	1	0	0	0	0	1	0+0	$2Xb/EJ$	
DA 2b	-1	0	0	0	0	1			
DE b	$1-x/b$	0	0	0	0	$1-2x/b+x^2/b^2$	0+0	$1/3Xb/EJ$	
ED b	$-x/b$	0	0	0	0	x^2/b^2			
EF b	0	0	0	0	0	0	0+0	0	
FE b	0	0	0	0	0	0			
FG b	0	0	0	0	0	0	0+0	0	
GF b	0	0	0	0	0	0			
GC b	0	0	$-Fb/EJ$	0	0	0	0+0	0	
CG b	0	0	Fb/EJ	0	0	0			
HG b	0	0	0	0	0	0	0+0	0	
GH b	0	0	0	0	0	0			
HB b	0	$-1/2Fb+Fx-1/2qx^2$	0	0	0	0	0+0	0	
BH b	0	$1/2qx^2$	0	0	0	0			
HE b	0	$1/2Fb-Fx+1/2qx^2$	0	0	0	0	0+0	0	
EH b	0	$-1/2qx^2$	0	0	0	0			
AB	molla asta $-W_{1AB}(W_{0AB}+XW_{1AB})/k_{AB}$								$1/4Xb/EJ$
	totali							$7/24Fb^2/EJ$	$35/12Xb/EJ$
	iperstatica $X=W_{AB}$							$-1/10Fb$	

Sviluppi di calcolo iperstatica

$$L_{AB}^{xx} = \int_0^b (1 - 2x/b + x^2/b^2) \cdot 1/EJ \, dx + 1 \cdot 1/4 \cdot b/EJ = \left[x - x^2/b + 1/3 x^3/b^2 \right]_0^b \cdot 1/EJ + 1 \cdot 1/4 \cdot b/EJ$$

$$= (b - b + 1/3 b) \cdot 1/EJ + 1 \cdot 1/4 \cdot b/EJ = 7/12 \cdot b/EJ$$

$$L_{BA}^{xx} = \int_0^b (x^2/b^2) \cdot 1/EJ \, dx + 1 \cdot 1/4 \cdot b/EJ = \left[1/3 x^3/b^2 \right]_0^b \cdot 1/EJ + 1 \cdot 1/4 \cdot b/EJ$$

$$= (1/3 b) \cdot 1/EJ + 1 \cdot 1/4 \cdot b/EJ = 7/12 \cdot b/EJ$$

$$L_{AD}^{xx} = \int_0^{2b} (1) \cdot 1/EJ \, dx = \left[x \right]_0^{2b} \cdot 1/EJ$$

$$= (2b) \cdot 1/EJ = 2 \cdot b/EJ$$

$$L_{DA}^{xx} = \int_0^{2b} (1) \cdot 1/EJ \, dx = \left[x \right]_0^{2b} \cdot 1/EJ$$

$$= (2b) \cdot 1/EJ = 2 \cdot b/EJ$$

$$L_{DE}^{xx} = \int_0^b (1 - 2x/b + x^2/b^2) \cdot 1/EJ \, dx = \left[x - x^2/b + 1/3 x^3/b^2 \right]_0^b \cdot 1/EJ$$

$$= (b - b + 1/3 b) \cdot 1/EJ = 1/3 \cdot b/EJ$$

$$L_{ED}^{xx} = \int_0^b (x^2/b^2) \cdot 1/EJ \, dx = \left[1/3 x^3/b^2 \right]_0^b \cdot 1/EJ$$

$$= (1/3 b) \cdot 1/EJ = 1/3 \cdot b/EJ$$

$$L_{AB}^{xo} = \int_0^b (3/2 x/b - x^2/b^2 - 1/2 x^3/b^3) \cdot Fb \cdot 1/EJ \, dx + 1 \cdot 0 \cdot 1/4 \cdot Fb^2/EJ$$

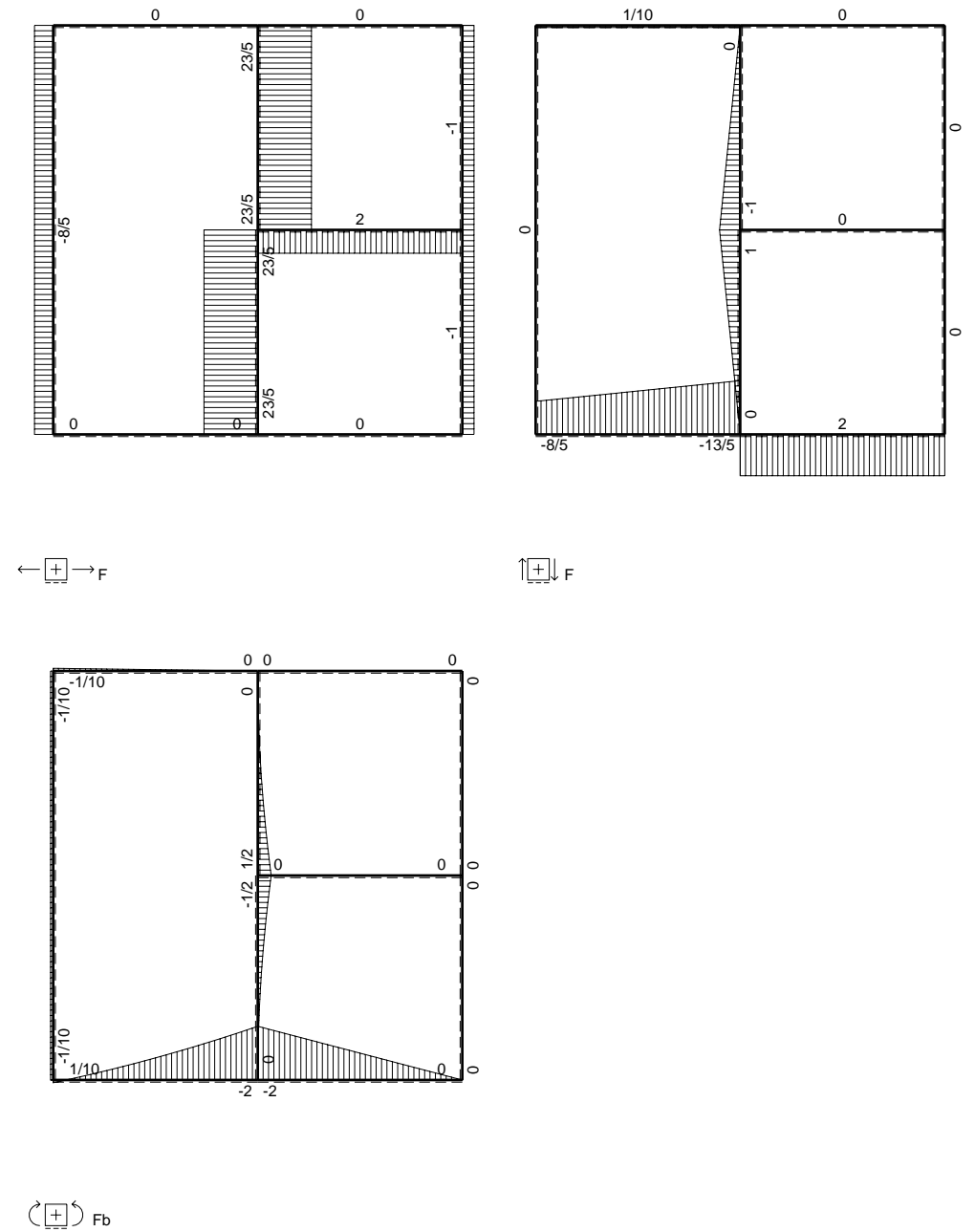
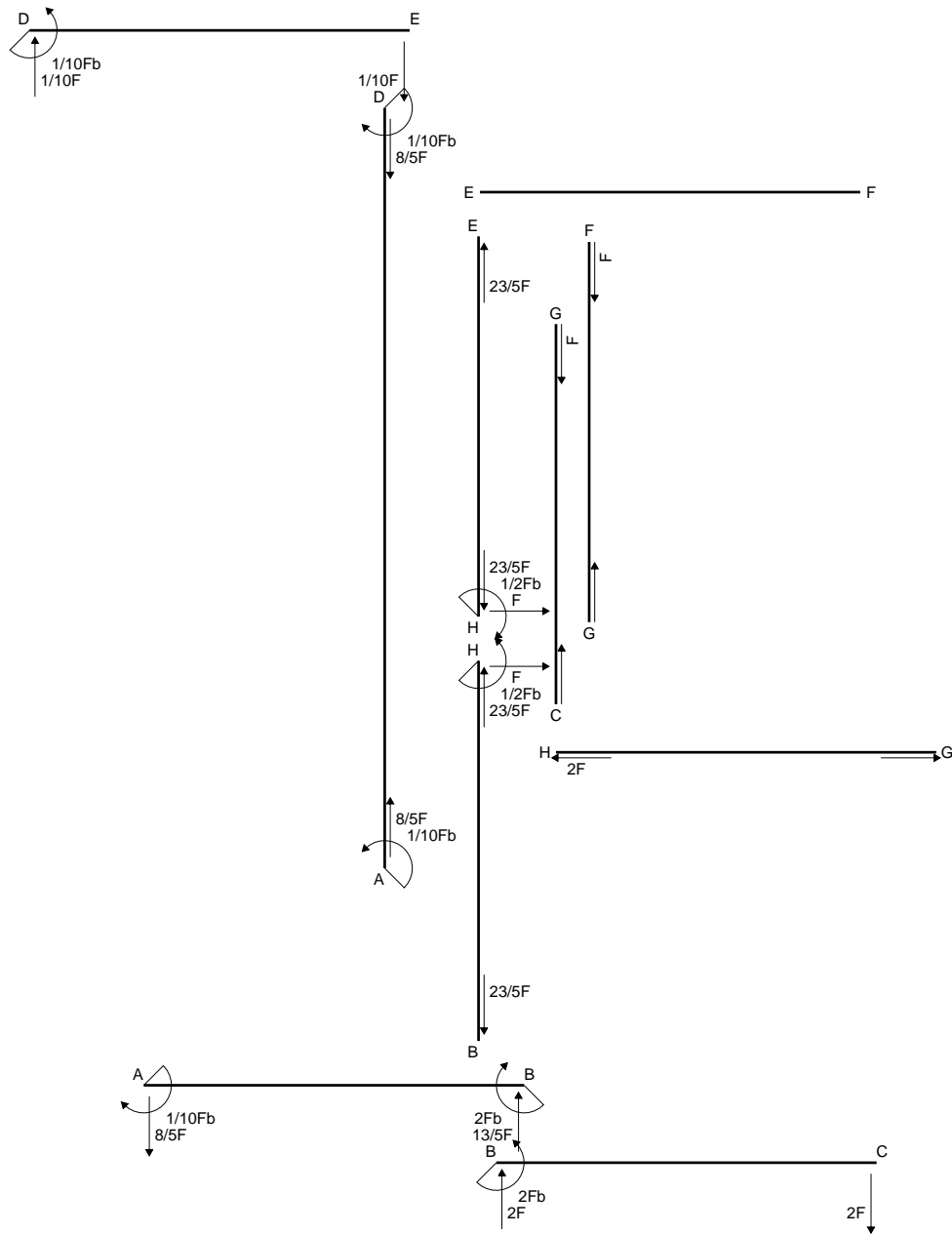
$$= \left[3/4 x^2/b - 1/3 x^3/b^2 - 1/8 x^4/b^3 \right]_0^b \cdot Fb \cdot 1/EJ + 1 \cdot 0 \cdot 1/4 \cdot Fb^2/EJ$$

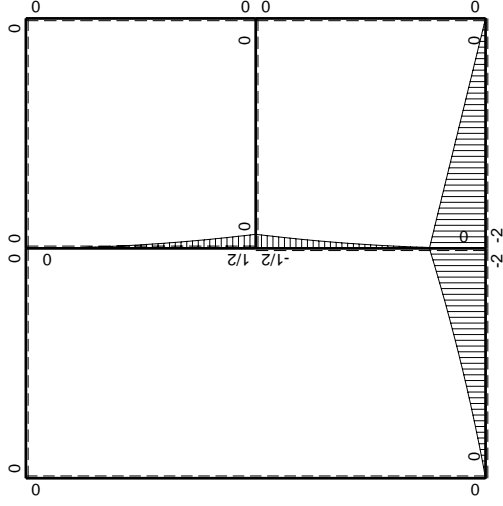
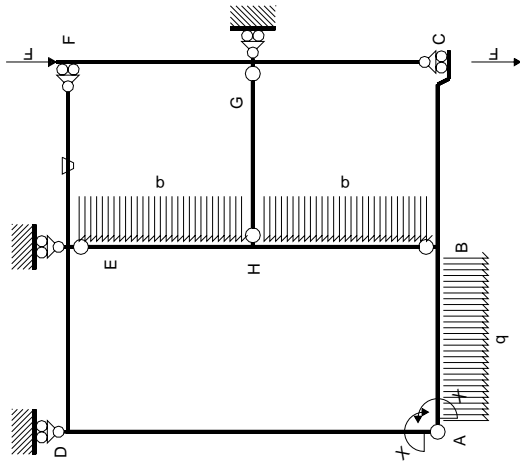
$$= (3/4 b - 1/3 b - 1/8 b) \cdot Fb \cdot 1/EJ + 1 \cdot 0 \cdot 1/4 \cdot Fb^2/EJ = 7/24 \cdot Fb^2/EJ$$

$$L_{BA}^{xo} = \int_0^b (2x/b - 5/2 x^2/b^2 + 1/2 x^3/b^3) \cdot Fb \cdot 1/EJ \, dx + 1 \cdot 0 \cdot 1/4 \cdot Fb^2/EJ$$

$$= \left[x^2/b - 5/6 x^3/b^2 + 1/8 x^4/b^3 \right]_0^b \cdot Fb \cdot 1/EJ + 1 \cdot 0 \cdot 1/4 \cdot Fb^2/EJ$$

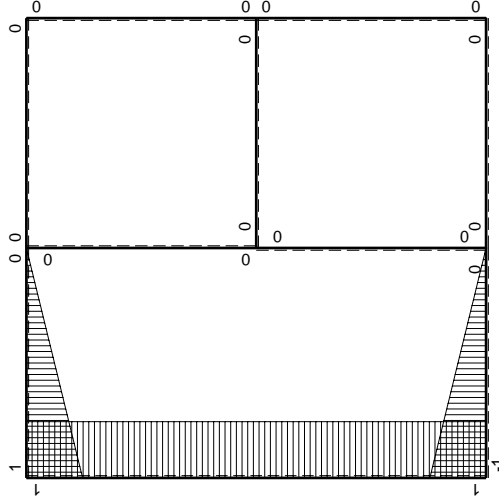
$$= (b - 5/6 b + 1/8 b) \cdot Fb \cdot 1/EJ + 1 \cdot 0 \cdot 1/4 \cdot Fb^2/EJ = 7/24 \cdot Fb^2/EJ$$





Schema di calcolo iperstatico

M_0 flessione da carichi assegnati



M_x flessione da iperstatica X=1

Quadro contributi PLV per iperstatica $X=W_{AB}$

→	$M_x(x)$	$M_o(x)$	θ	$M_x M_o$	$M_x \theta$	$M_x M_x$	$\int M_x(M_o/EJ+\theta)dx$	$\int X M_x M_x/EJ dx$	
AB b	$-1+x/b$	$-3/2Fx-1/2qx^2$	0	$3/2Fx-Fx^2/b-1/2qx^3/b$	0	$1-2x/b+x^2/b^2$	$(7/24+0)Fb^2/EJ$	$1/3Xb/EJ$	
BA b	x/b	$2Fb-5/2Fx+1/2qx^2$	0	$2Fx-5/2Fx^2/b+1/2qx^3/b$	0	x^2/b^2			
BC b	0	$-2Fb+2Fx$	0	0	0	0	0+0	0	
CB b	0	$2Fx$	0	0	0	0			
AD 2b	1	0	0	0	0	1	0+0	$2Xb/EJ$	
DA 2b	-1	0	0	0	0	1			
DE b	$1-x/b$	0	0	0	0	$1-2x/b+x^2/b^2$	0+0	$1/3Xb/EJ$	
ED b	$-x/b$	0	0	0	0	x^2/b^2			
EF b	0	0	$-Fb/EJ$	0	0	0	0+0	0	
FE b	0	0	Fb/EJ	0	0	0			
FG b	0	0	0	0	0	0	0+0	0	
GF b	0	0	0	0	0	0			
GC b	0	0	0	0	0	0	0+0	0	
CG b	0	0	0	0	0	0			
HG b	0	0	0	0	0	0	0+0	0	
GH b	0	0	0	0	0	0			
HB b	0	$-1/2Fb+Fx-1/2qx^2$	0	0	0	0	0+0	0	
BH b	0	$1/2qx^2$	0	0	0	0			
HE b	0	$1/2Fb-Fx+1/2qx^2$	0	0	0	0	0+0	0	
EH b	0	$-1/2qx^2$	0	0	0	0			
AB	molla asta $-W_{1AB}(W_{0AB}+XW_{1AB})/k_{AB}$								$1/4Xb/EJ$
	totali							$7/24Fb^2/EJ$	$35/12Xb/EJ$
	iperstatica $X=W_{AB}$							$-1/10Fb$	

Sviluppi di calcolo iperstatica

$$L_{AB}^{xx} = \int_0^b (1 - 2x/b + x^2/b^2) \frac{1}{EJ} dx + 1 \cdot 1 \cdot \frac{1}{4} \frac{b}{EJ} = \left[x - \frac{x^2}{b} + \frac{1}{3} \frac{x^3}{b^2} \right]_0^b \frac{1}{EJ} + 1 \cdot 1 \cdot \frac{1}{4} \frac{b}{EJ}$$

$$= (b - b + \frac{1}{3}b) \frac{1}{EJ} + 1 \cdot 1 \cdot \frac{1}{4} \frac{b}{EJ} = \frac{7}{12} \frac{b}{EJ}$$

$$L_{BA}^{xx} = \int_0^b (x^2/b^2) \frac{1}{EJ} dx + 1 \cdot 1 \cdot \frac{1}{4} \frac{b}{EJ} = \left[\frac{1}{3} \frac{x^3}{b^2} \right]_0^b \frac{1}{EJ} + 1 \cdot 1 \cdot \frac{1}{4} \frac{b}{EJ}$$

$$= (\frac{1}{3}b) \frac{1}{EJ} + 1 \cdot 1 \cdot \frac{1}{4} \frac{b}{EJ} = \frac{7}{12} \frac{b}{EJ}$$

$$L_{AD}^{xx} = \int_0^{2b} (1) \frac{1}{EJ} dx = \left[x \right]_0^{2b} \frac{1}{EJ}$$

$$= (2b) \frac{1}{EJ} = 2 \frac{b}{EJ}$$

$$L_{DA}^{xx} = \int_0^{2b} (1) \frac{1}{EJ} dx = \left[x \right]_0^{2b} \frac{1}{EJ}$$

$$= (2b) \frac{1}{EJ} = 2 \frac{b}{EJ}$$

$$L_{DE}^{xx} = \int_0^b (1 - 2x/b + x^2/b^2) \frac{1}{EJ} dx = \left[x - \frac{x^2}{b} + \frac{1}{3} \frac{x^3}{b^2} \right]_0^b \frac{1}{EJ}$$

$$= (b - b + \frac{1}{3}b) \frac{1}{EJ} = \frac{1}{3} \frac{b}{EJ}$$

$$L_{ED}^{xx} = \int_0^b (x^2/b^2) \frac{1}{EJ} dx = \left[\frac{1}{3} \frac{x^3}{b^2} \right]_0^b \frac{1}{EJ}$$

$$= (\frac{1}{3}b) \frac{1}{EJ} = \frac{1}{3} \frac{b}{EJ}$$

$$L_{AB}^{xo} = \int_0^b (3/2 x/b - x^2/b^2 - 1/2 x^3/b^3) Fb \frac{1}{EJ} dx + 1 \cdot 0 \cdot \frac{1}{4} \frac{Fb^2}{EJ}$$

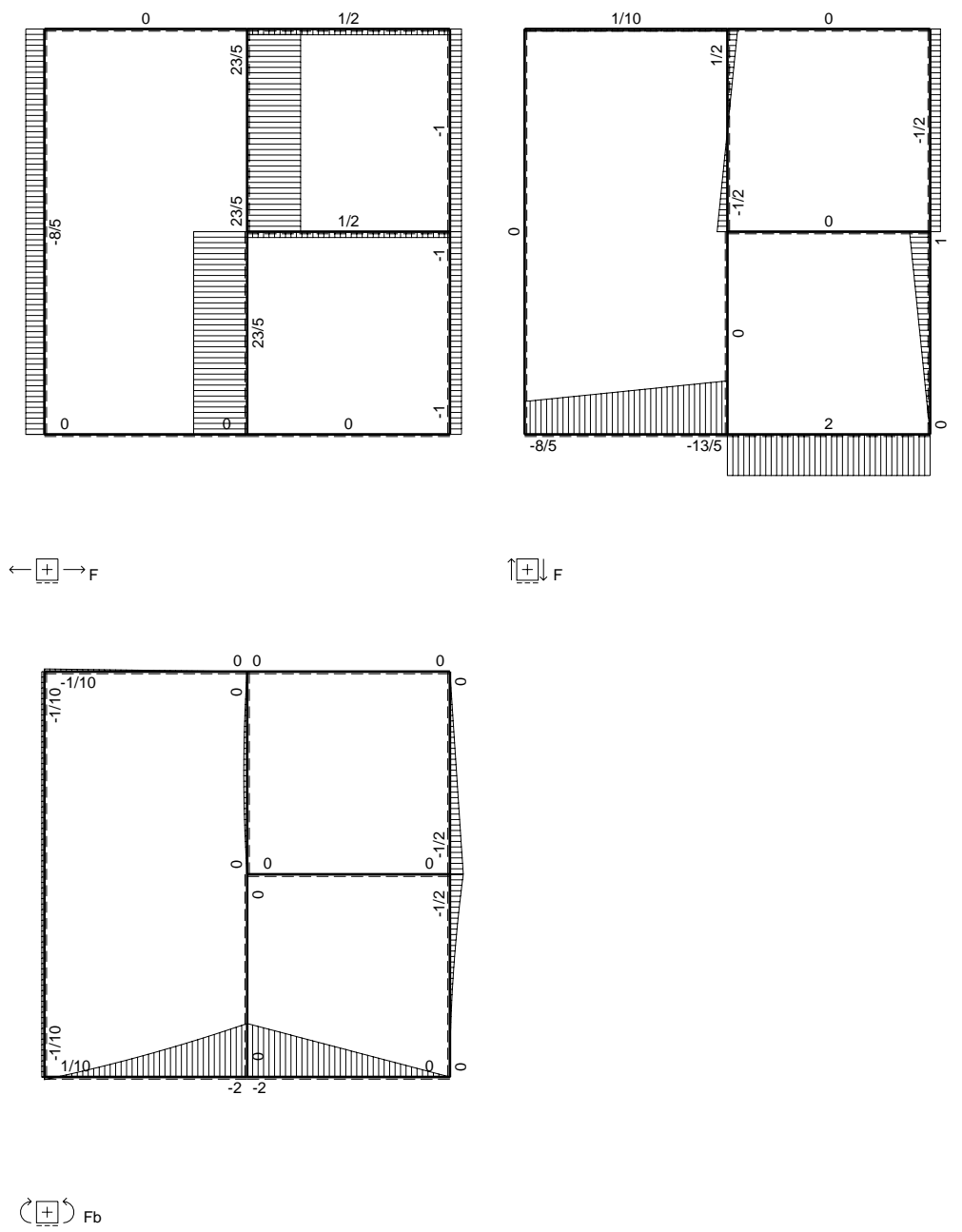
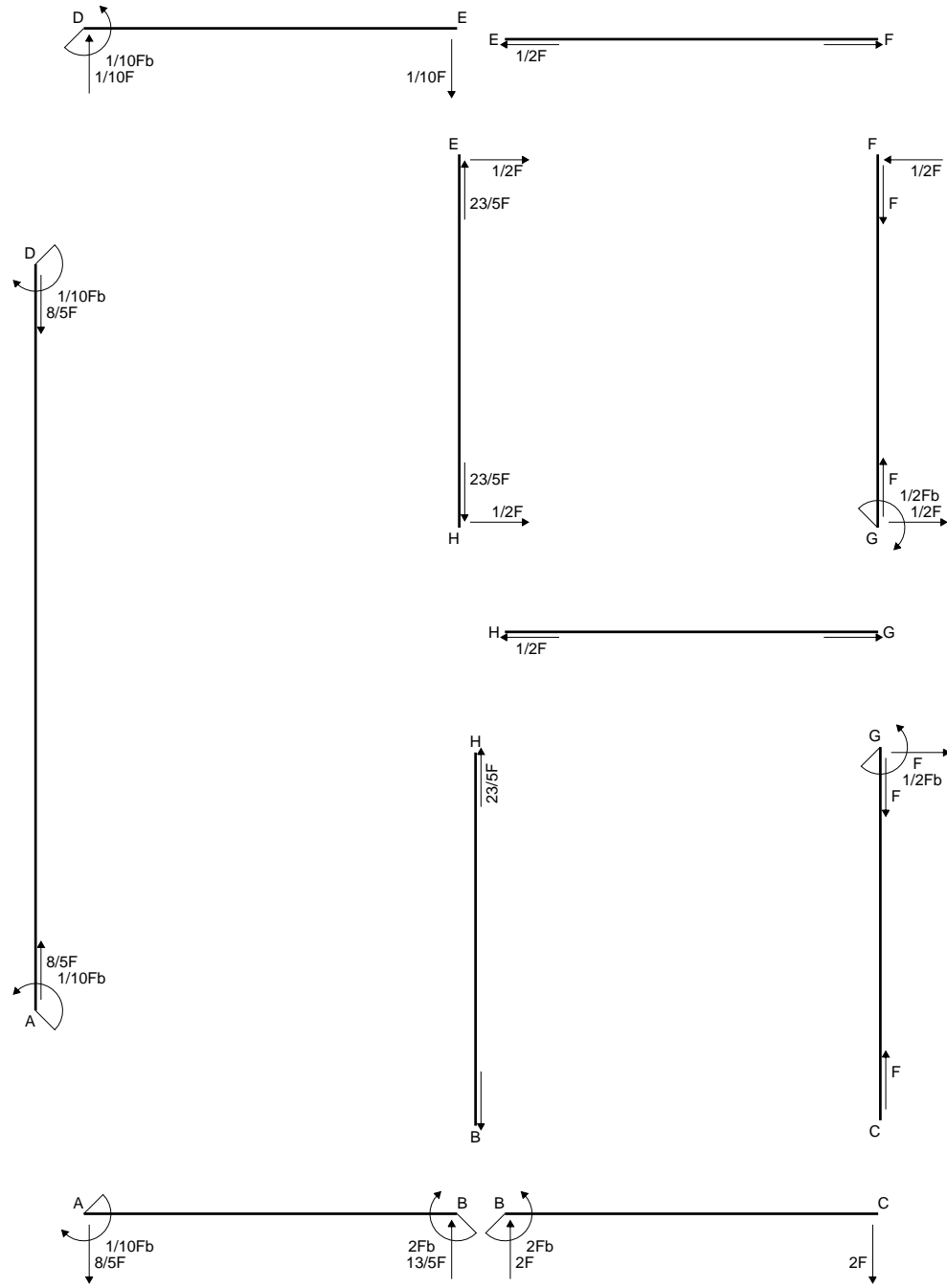
$$= \left[\frac{3}{4} \frac{x^2}{b} - \frac{1}{3} \frac{x^3}{b^2} - \frac{1}{8} \frac{x^4}{b^3} \right]_0^b Fb \frac{1}{EJ} + 1 \cdot 0 \cdot \frac{1}{4} \frac{Fb^2}{EJ}$$

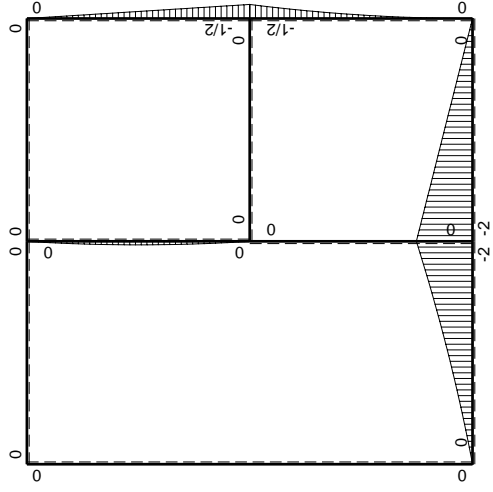
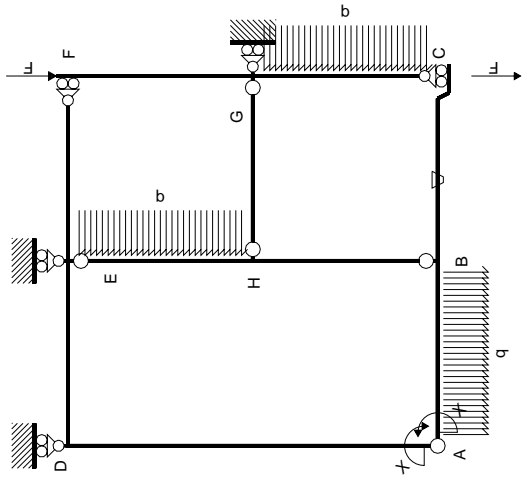
$$= (3/4 b - 1/3 b - 1/8 b) Fb \frac{1}{EJ} + 1 \cdot 0 \cdot \frac{1}{4} \frac{Fb^2}{EJ} = \frac{7}{24} \frac{Fb^2}{EJ}$$

$$L_{BA}^{xo} = \int_0^b (2x/b - 5/2 x^2/b^2 + 1/2 x^3/b^3) Fb \frac{1}{EJ} dx + 1 \cdot 0 \cdot \frac{1}{4} \frac{Fb^2}{EJ}$$

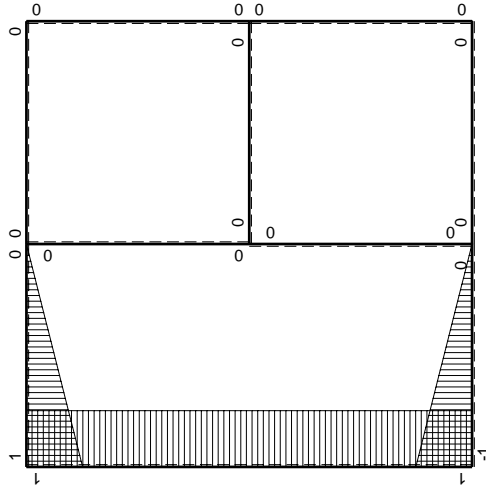
$$= \left[x^2/b - 5/6 x^3/b^2 + 1/8 x^4/b^3 \right]_0^b Fb \frac{1}{EJ} + 1 \cdot 0 \cdot \frac{1}{4} \frac{Fb^2}{EJ}$$

$$= (b - 5/6 b + 1/8 b) Fb \frac{1}{EJ} + 1 \cdot 0 \cdot \frac{1}{4} \frac{Fb^2}{EJ} = \frac{7}{24} \frac{Fb^2}{EJ}$$





M_0 flessione da carichi assegnati



M_x flessione da iperstatica X=1

Quadro contributi PLV per iperstatica $X=W_{AB}$

→	$M_x(x)$	$M_o(x)$	θ	$M_x M_o$	$M_x \theta$	$M_x M_x$	$\int M_x(M_o/EJ+\theta)dx$	$\int X M_x M_x/EJ dx$	
AB b	$-1+x/b$	$-3/2Fx-1/2qx^2$	0	$3/2Fx-Fx^2/b-1/2qx^3/b$	0	$1-2x/b+x^2/b^2$	$(7/24+0)Fb^2/EJ$	$1/3Xb/EJ$	
BA b	x/b	$2Fb-5/2Fx+1/2qx^2$	0	$2Fx-5/2Fx^2/b+1/2qx^3/b$	0	x^2/b^2			
BC b	0	$-2Fb+2Fx$	$-Fb/EJ$	0	0	0	0+0	0	
CB b	0	$2Fx$	Fb/EJ	0	0	0			
AD 2b	1	0	0	0	0	1	0+0	$2Xb/EJ$	
DA 2b	-1	0	0	0	0	1			
DE b	$1-x/b$	0	0	0	0	$1-2x/b+x^2/b^2$	0+0	$1/3Xb/EJ$	
ED b	$-x/b$	0	0	0	0	x^2/b^2			
EF b	0	0	0	0	0	0	0+0	0	
FE b	0	0	0	0	0	0			
FG b	0	$-1/2Fx$	0	0	0	0	0+0	0	
GF b	0	$1/2Fb-1/2Fx$	0	0	0	0			
GC b	0	$-1/2Fb+Fx-1/2qx^2$	0	0	0	0	0+0	0	
CG b	0	$1/2qx^2$	0	0	0	0			
HG b	0	0	0	0	0	0	0+0	0	
GH b	0	0	0	0	0	0			
HB b	0	0	0	0	0	0	0+0	0	
BH b	0	0	0	0	0	0			
HE b	0	$-1/2Fx+1/2qx^2$	0	0	0	0	0+0	0	
EH b	0	$1/2Fx-1/2qx^2$	0	0	0	0			
AB	molla asta $-W_{1AB}(W_{0AB}+XW_{1AB})/k_{AB}$								$1/4Xb/EJ$
	totali							$7/24Fb^2/EJ$	$35/12Xb/EJ$
	iperstatica $X=W_{AB}$							$-1/10Fb$	

Sviluppi di calcolo iperstatica

$$L_{AB}^{xx} = \int_0^b (1 - 2x/b + x^2/b^2) \frac{1}{EJ} dx + 1 \cdot 1 \cdot \frac{1}{4} \frac{b}{EJ} = \left[x - \frac{x^2}{b} + \frac{1}{3} \frac{x^3}{b^2} \right]_0^b \frac{1}{EJ} + 1 \cdot 1 \cdot \frac{1}{4} \frac{b}{EJ}$$

$$= (b - b + \frac{1}{3}b) \frac{1}{EJ} + 1 \cdot 1 \cdot \frac{1}{4} \frac{b}{EJ} = \frac{7}{12} \frac{b}{EJ}$$

$$L_{BA}^{xx} = \int_0^b (x^2/b^2) \frac{1}{EJ} dx + 1 \cdot 1 \cdot \frac{1}{4} \frac{b}{EJ} = \left[\frac{1}{3} \frac{x^3}{b^2} \right]_0^b \frac{1}{EJ} + 1 \cdot 1 \cdot \frac{1}{4} \frac{b}{EJ}$$

$$= (\frac{1}{3}b) \frac{1}{EJ} + 1 \cdot 1 \cdot \frac{1}{4} \frac{b}{EJ} = \frac{7}{12} \frac{b}{EJ}$$

$$L_{AD}^{xx} = \int_0^{2b} (1) \frac{1}{EJ} dx = \left[x \right]_0^{2b} \frac{1}{EJ}$$

$$= (2b) \frac{1}{EJ} = 2 \frac{b}{EJ}$$

$$L_{DA}^{xx} = \int_0^{2b} (1) \frac{1}{EJ} dx = \left[x \right]_0^{2b} \frac{1}{EJ}$$

$$= (2b) \frac{1}{EJ} = 2 \frac{b}{EJ}$$

$$L_{DE}^{xx} = \int_0^b (1 - 2x/b + x^2/b^2) \frac{1}{EJ} dx = \left[x - \frac{x^2}{b} + \frac{1}{3} \frac{x^3}{b^2} \right]_0^b \frac{1}{EJ}$$

$$= (b - b + \frac{1}{3}b) \frac{1}{EJ} = \frac{1}{3} \frac{b}{EJ}$$

$$L_{ED}^{xx} = \int_0^b (x^2/b^2) \frac{1}{EJ} dx = \left[\frac{1}{3} \frac{x^3}{b^2} \right]_0^b \frac{1}{EJ}$$

$$= (\frac{1}{3}b) \frac{1}{EJ} = \frac{1}{3} \frac{b}{EJ}$$

$$L_{AB}^{xo} = \int_0^b (3/2 x/b - x^2/b^2 - 1/2 x^3/b^3) Fb \frac{1}{EJ} dx + 1 \cdot 0 \cdot \frac{1}{4} \frac{Fb^2}{EJ}$$

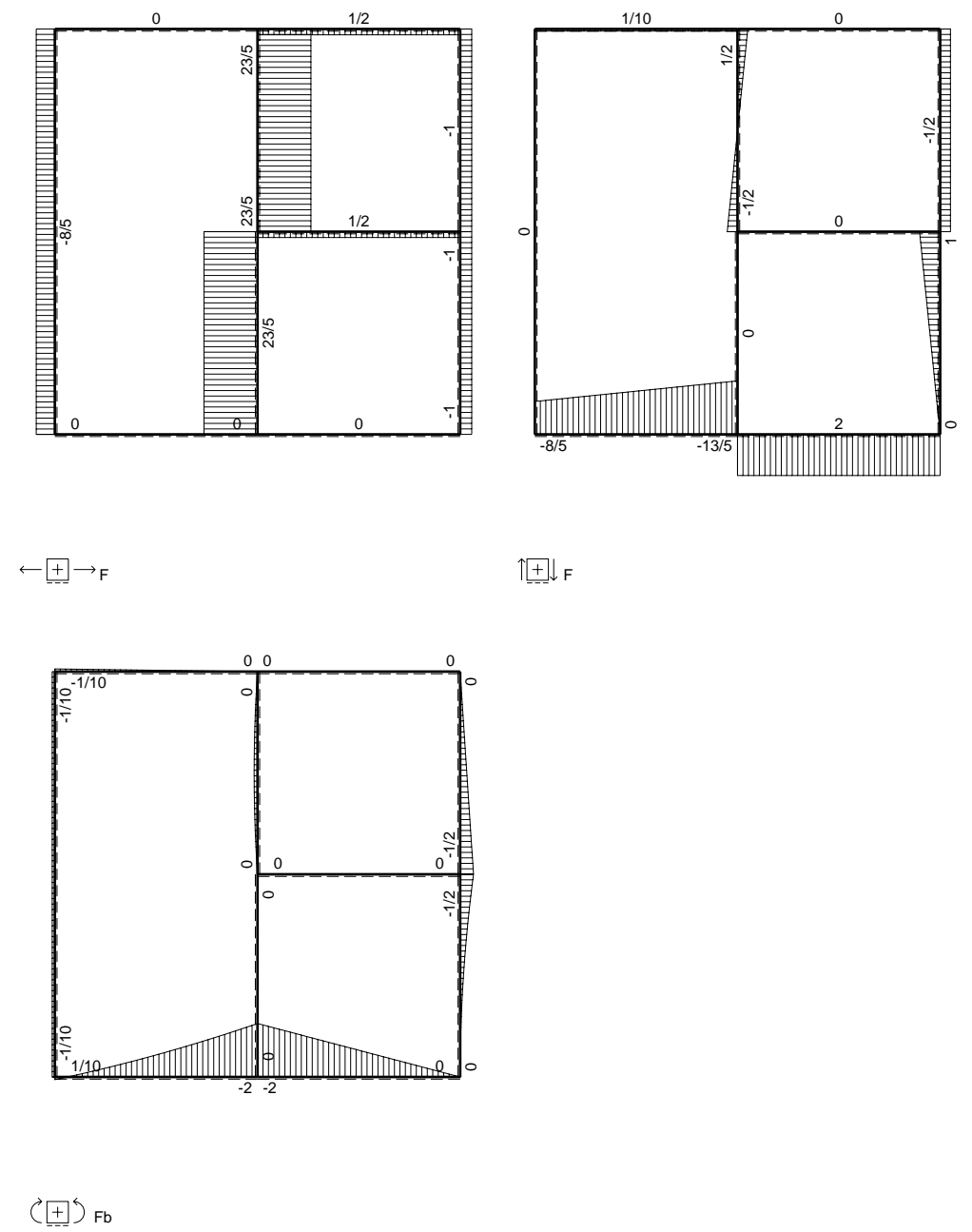
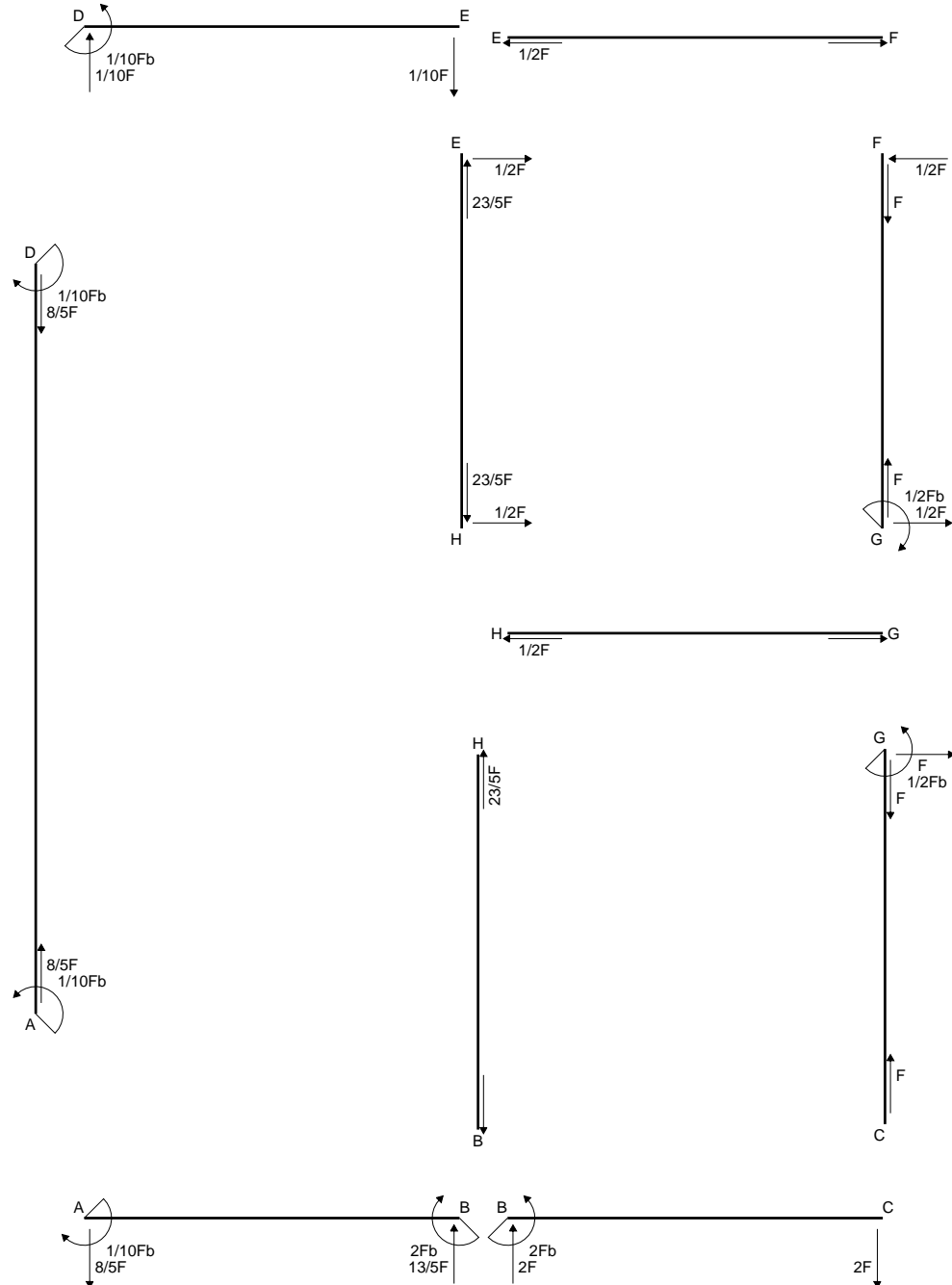
$$= \left[\frac{3}{4} \frac{x^2}{b} - \frac{1}{3} \frac{x^3}{b^2} - \frac{1}{8} \frac{x^4}{b^3} \right]_0^b Fb \frac{1}{EJ} + 1 \cdot 0 \cdot \frac{1}{4} \frac{Fb^2}{EJ}$$

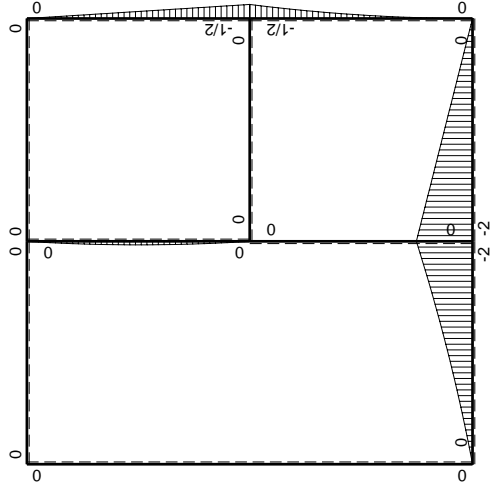
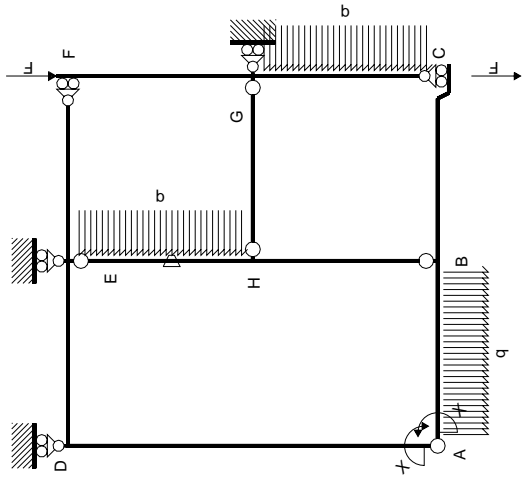
$$= (\frac{3}{4}b - \frac{1}{3}b - \frac{1}{8}b) Fb \frac{1}{EJ} + 1 \cdot 0 \cdot \frac{1}{4} \frac{Fb^2}{EJ} = \frac{7}{24} \frac{Fb^2}{EJ}$$

$$L_{BA}^{xo} = \int_0^b (2x/b - 5/2 x^2/b^2 + 1/2 x^3/b^3) Fb \frac{1}{EJ} dx + 1 \cdot 0 \cdot \frac{1}{4} \frac{Fb^2}{EJ}$$

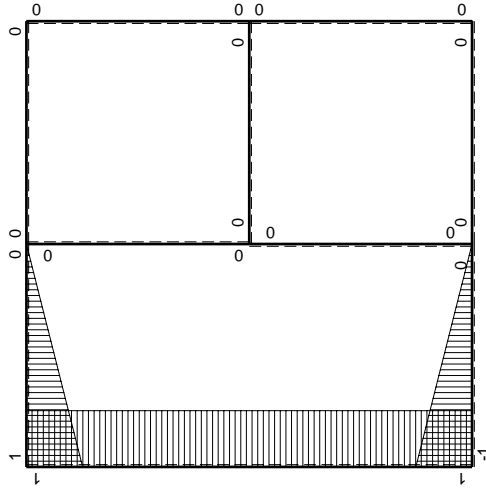
$$= \left[\frac{x^2}{b} - \frac{5}{6} \frac{x^3}{b^2} + \frac{1}{8} \frac{x^4}{b^3} \right]_0^b Fb \frac{1}{EJ} + 1 \cdot 0 \cdot \frac{1}{4} \frac{Fb^2}{EJ}$$

$$= (b - \frac{5}{6}b + \frac{1}{8}b) Fb \frac{1}{EJ} + 1 \cdot 0 \cdot \frac{1}{4} \frac{Fb^2}{EJ} = \frac{7}{24} \frac{Fb^2}{EJ}$$





M_0 flessione da carichi assegnati



M_x flessione da iperstatica $X=1$

Quadro contributi PLV per iperstatica $X=W_{AB}$

→	$M_x(x)$	$M_o(x)$	θ	$M_x M_o$	$M_x \theta$	$M_x M_x$	$\int M_x(M_o/EJ+\theta)dx$	$\int X M_x M_x/EJ dx$	
AB b	$-1+x/b$	$-3/2Fx-1/2qx^2$	0	$3/2Fx-Fx^2/b-1/2qx^3/b$	0	$1-2x/b+x^2/b^2$	$(7/24+0)Fb^2/EJ$	$1/3Xb/EJ$	
BA b	x/b	$2Fb-5/2Fx+1/2qx^2$	0	$2Fx-5/2Fx^2/b+1/2qx^3/b$	0	x^2/b^2			
BC b	0	$-2Fb+2Fx$	0	0	0	0	0+0	0	
CB b	0	$2Fx$	0	0	0	0			
AD 2b	1	0	0	0	0	1	0+0	$2Xb/EJ$	
DA 2b	-1	0	0	0	0	1			
DE b	$1-x/b$	0	0	0	0	$1-2x/b+x^2/b^2$	0+0	$1/3Xb/EJ$	
ED b	$-x/b$	0	0	0	0	x^2/b^2			
EF b	0	0	0	0	0	0	0+0	0	
FE b	0	0	0	0	0	0			
FG b	0	$-1/2Fx$	0	0	0	0	0+0	0	
GF b	0	$1/2Fb-1/2Fx$	0	0	0	0			
GC b	0	$-1/2Fb+Fx-1/2qx^2$	0	0	0	0	0+0	0	
CG b	0	$1/2qx^2$	0	0	0	0			
HG b	0	0	0	0	0	0	0+0	0	
GH b	0	0	0	0	0	0			
HB b	0	0	0	0	0	0	0+0	0	
BH b	0	0	0	0	0	0			
HE b	0	$-1/2Fx+1/2qx^2$	$-Fb/EJ$	0	0	0	0+0	0	
EH b	0	$1/2Fx-1/2qx^2$	Fb/EJ	0	0	0			
AB	molla asta $-W_{1AB}(W_{0AB}+XW_{1AB})/k_{AB}$								$1/4Xb/EJ$
	totali							$7/24Fb^2/EJ$	$35/12Xb/EJ$
	iperstatica $X=W_{AB}$							$-1/10Fb$	

Sviluppi di calcolo iperstatica

$$L_{AB}^{xx} = \int_0^b (1 - 2x/b + x^2/b^2) \frac{1}{EJ} dx + 1 \cdot 1 \cdot \frac{1}{4} \frac{b}{EJ} = \left[x - \frac{x^2}{b} + \frac{1}{3} \frac{x^3}{b^2} \right]_0^b \frac{1}{EJ} + 1 \cdot 1 \cdot \frac{1}{4} \frac{b}{EJ}$$

$$= (b - b + \frac{1}{3}b) \frac{1}{EJ} + 1 \cdot 1 \cdot \frac{1}{4} \frac{b}{EJ} = \frac{7}{12} \frac{b}{EJ}$$

$$L_{BA}^{xx} = \int_0^b (x^2/b^2) \frac{1}{EJ} dx + 1 \cdot 1 \cdot \frac{1}{4} \frac{b}{EJ} = \left[\frac{1}{3} \frac{x^3}{b^2} \right]_0^b \frac{1}{EJ} + 1 \cdot 1 \cdot \frac{1}{4} \frac{b}{EJ}$$

$$= (\frac{1}{3}b) \frac{1}{EJ} + 1 \cdot 1 \cdot \frac{1}{4} \frac{b}{EJ} = \frac{7}{12} \frac{b}{EJ}$$

$$L_{AD}^{xx} = \int_0^{2b} (1) \frac{1}{EJ} dx = \left[x \right]_0^{2b} \frac{1}{EJ}$$

$$= (2b) \frac{1}{EJ} = 2 \frac{b}{EJ}$$

$$L_{DA}^{xx} = \int_0^{2b} (1) \frac{1}{EJ} dx = \left[x \right]_0^{2b} \frac{1}{EJ}$$

$$= (2b) \frac{1}{EJ} = 2 \frac{b}{EJ}$$

$$L_{DE}^{xx} = \int_0^b (1 - 2x/b + x^2/b^2) \frac{1}{EJ} dx = \left[x - \frac{x^2}{b} + \frac{1}{3} \frac{x^3}{b^2} \right]_0^b \frac{1}{EJ}$$

$$= (b - b + \frac{1}{3}b) \frac{1}{EJ} = \frac{1}{3} \frac{b}{EJ}$$

$$L_{ED}^{xx} = \int_0^b (x^2/b^2) \frac{1}{EJ} dx = \left[\frac{1}{3} \frac{x^3}{b^2} \right]_0^b \frac{1}{EJ}$$

$$= (\frac{1}{3}b) \frac{1}{EJ} = \frac{1}{3} \frac{b}{EJ}$$

$$L_{AB}^{xo} = \int_0^b (3/2 x/b - x^2/b^2 - 1/2 x^3/b^3) Fb \frac{1}{EJ} dx + 1 \cdot 0 \cdot \frac{1}{4} \frac{Fb^2}{EJ}$$

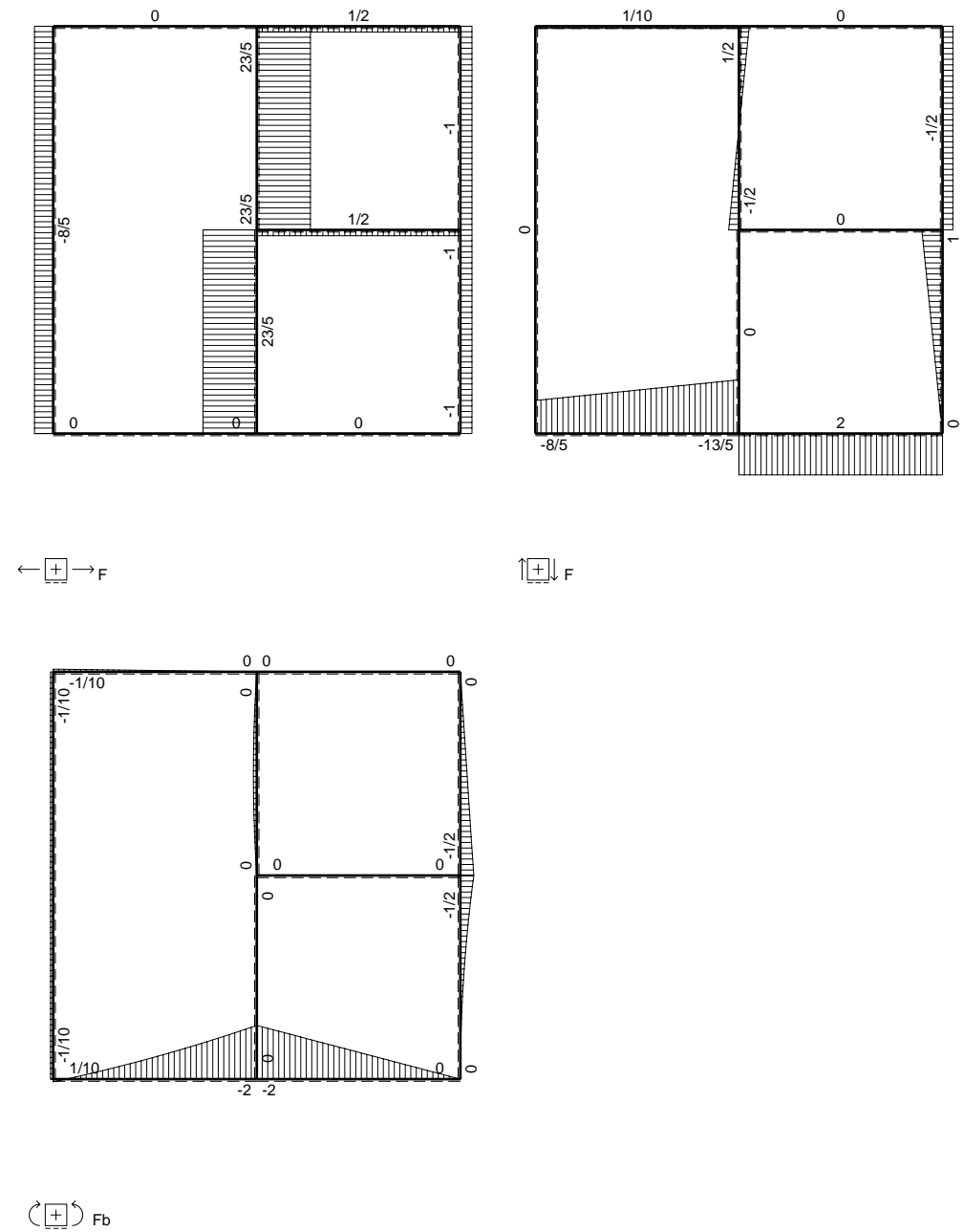
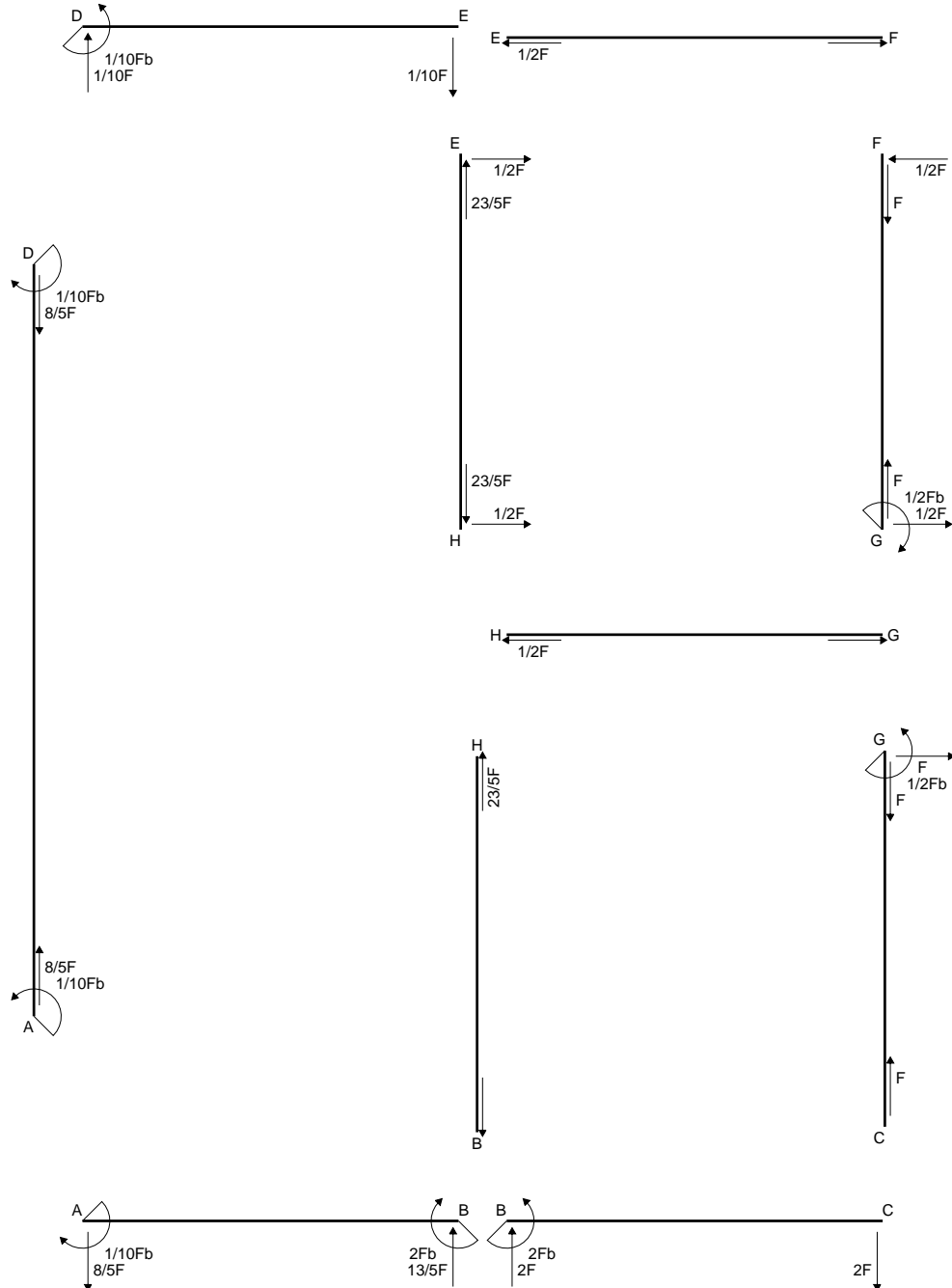
$$= \left[\frac{3}{4} \frac{x^2}{b} - \frac{1}{3} \frac{x^3}{b^2} - \frac{1}{8} \frac{x^4}{b^3} \right]_0^b Fb \frac{1}{EJ} + 1 \cdot 0 \cdot \frac{1}{4} \frac{Fb^2}{EJ}$$

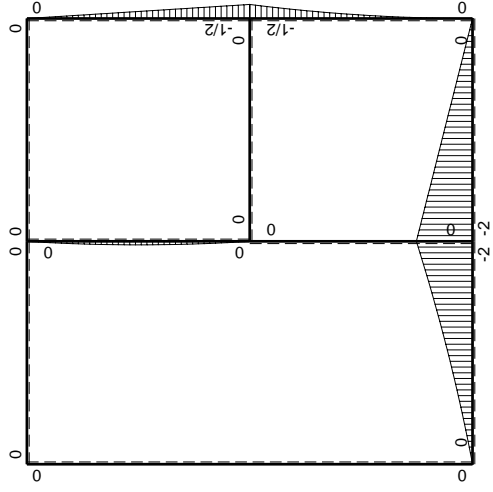
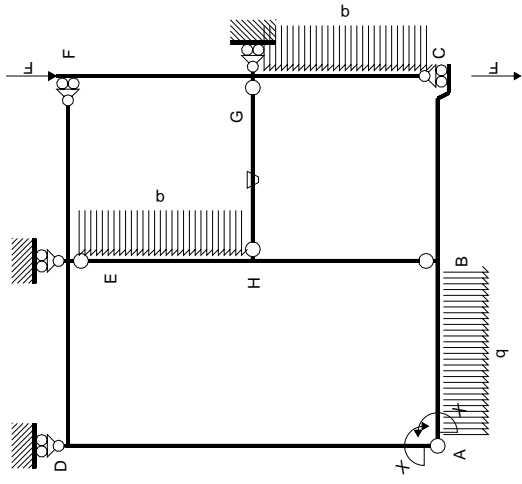
$$= (3/4 b - 1/3 b - 1/8 b) Fb \frac{1}{EJ} + 1 \cdot 0 \cdot \frac{1}{4} \frac{Fb^2}{EJ} = \frac{7}{24} \frac{Fb^2}{EJ}$$

$$L_{BA}^{xo} = \int_0^b (2x/b - 5/2 x^2/b^2 + 1/2 x^3/b^3) Fb \frac{1}{EJ} dx + 1 \cdot 0 \cdot \frac{1}{4} \frac{Fb^2}{EJ}$$

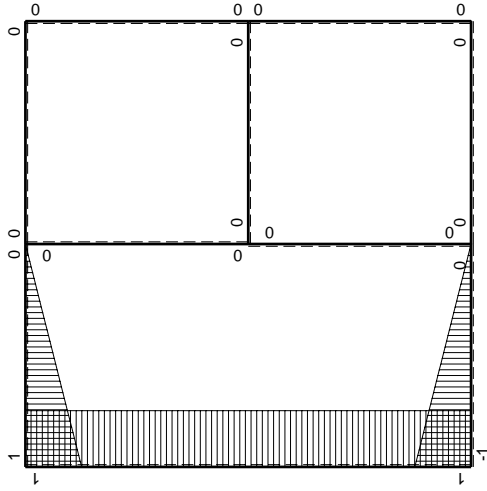
$$= \left[x^2/b - 5/6 x^3/b^2 + 1/8 x^4/b^3 \right]_0^b Fb \frac{1}{EJ} + 1 \cdot 0 \cdot \frac{1}{4} \frac{Fb^2}{EJ}$$

$$= (b - 5/6 b + 1/8 b) Fb \frac{1}{EJ} + 1 \cdot 0 \cdot \frac{1}{4} \frac{Fb^2}{EJ} = \frac{7}{24} \frac{Fb^2}{EJ}$$





M_0 flessione da carichi assegnati



M_X flessione da iperstatica $X=1$

Quadro contributi PLV per iperstatica $X=W_{AB}$

→	$M_x(x)$	$M_o(x)$	θ	$M_x M_o$	$M_x \theta$	$M_x M_x$	$\int M_x(M_o/EJ+\theta)dx$	$\int X M_x M_x/EJ dx$	
AB b	$-1+x/b$	$-3/2Fx-1/2qx^2$	0	$3/2Fx-Fx^2/b-1/2qx^3/b$	0	$1-2x/b+x^2/b^2$	$(7/24+0)Fb^2/EJ$	$1/3Xb/EJ$	
BA b	x/b	$2Fb-5/2Fx+1/2qx^2$	0	$2Fx-5/2Fx^2/b+1/2qx^3/b$	0	x^2/b^2			
BC b	0	$-2Fb+2Fx$	0	0	0	0	0+0	0	
CB b	0	$2Fx$	0	0	0	0			
AD 2b	1	0	0	0	0	1	0+0	$2Xb/EJ$	
DA 2b	-1	0	0	0	0	1			
DE b	$1-x/b$	0	0	0	0	$1-2x/b+x^2/b^2$	0+0	$1/3Xb/EJ$	
ED b	$-x/b$	0	0	0	0	x^2/b^2			
EF b	0	0	0	0	0	0	0+0	0	
FE b	0	0	0	0	0	0			
FG b	0	$-1/2Fx$	0	0	0	0	0+0	0	
GF b	0	$1/2Fb-1/2Fx$	0	0	0	0			
GC b	0	$-1/2Fb+Fx-1/2qx^2$	0	0	0	0	0+0	0	
CG b	0	$1/2qx^2$	0	0	0	0			
HG b	0	0	$-Fb/EJ$	0	0	0	0+0	0	
GH b	0	0	Fb/EJ	0	0	0			
HB b	0	0	0	0	0	0	0+0	0	
BH b	0	0	0	0	0	0			
HE b	0	$-1/2Fx+1/2qx^2$	0	0	0	0	0+0	0	
EH b	0	$1/2Fx-1/2qx^2$	0	0	0	0			
AB	molla asta $-W_{1AB}(W_{0AB}+XW_{1AB})/k_{AB}$								$1/4Xb/EJ$
	totali							$7/24Fb^2/EJ$	$35/12Xb/EJ$
	iperstatica $X=W_{AB}$							$-1/10Fb$	

Sviluppi di calcolo iperstatica

$$L_{AB}^{xx} = \int_0^b (1 - 2x/b + x^2/b^2) \cdot 1/EJ \, dx + 1 \cdot 1/4 \cdot b/EJ = \left[x - x^2/b + 1/3 x^3/b^2 \right]_0^b \cdot 1/EJ + 1 \cdot 1/4 \cdot b/EJ$$

$$= (b - b + 1/3 b) \cdot 1/EJ + 1 \cdot 1/4 \cdot b/EJ = 7/12 \cdot b/EJ$$

$$L_{BA}^{xx} = \int_0^b (x^2/b^2) \cdot 1/EJ \, dx + 1 \cdot 1/4 \cdot b/EJ = \left[1/3 x^3/b^2 \right]_0^b \cdot 1/EJ + 1 \cdot 1/4 \cdot b/EJ$$

$$= (1/3 b) \cdot 1/EJ + 1 \cdot 1/4 \cdot b/EJ = 7/12 \cdot b/EJ$$

$$L_{AD}^{xx} = \int_0^{2b} (1) \cdot 1/EJ \, dx = \left[x \right]_0^{2b} \cdot 1/EJ$$

$$= (2b) \cdot 1/EJ = 2 \cdot b/EJ$$

$$L_{DA}^{xx} = \int_0^{2b} (1) \cdot 1/EJ \, dx = \left[x \right]_0^{2b} \cdot 1/EJ$$

$$= (2b) \cdot 1/EJ = 2 \cdot b/EJ$$

$$L_{DE}^{xx} = \int_0^b (1 - 2x/b + x^2/b^2) \cdot 1/EJ \, dx = \left[x - x^2/b + 1/3 x^3/b^2 \right]_0^b \cdot 1/EJ$$

$$= (b - b + 1/3 b) \cdot 1/EJ = 1/3 \cdot b/EJ$$

$$L_{ED}^{xx} = \int_0^b (x^2/b^2) \cdot 1/EJ \, dx = \left[1/3 x^3/b^2 \right]_0^b \cdot 1/EJ$$

$$= (1/3 b) \cdot 1/EJ = 1/3 \cdot b/EJ$$

$$L_{AB}^{xo} = \int_0^b (3/2 x/b - x^2/b^2 - 1/2 x^3/b^3) \cdot Fb \cdot 1/EJ \, dx + 1 \cdot 0 \cdot 1/4 \cdot Fb^2/EJ$$

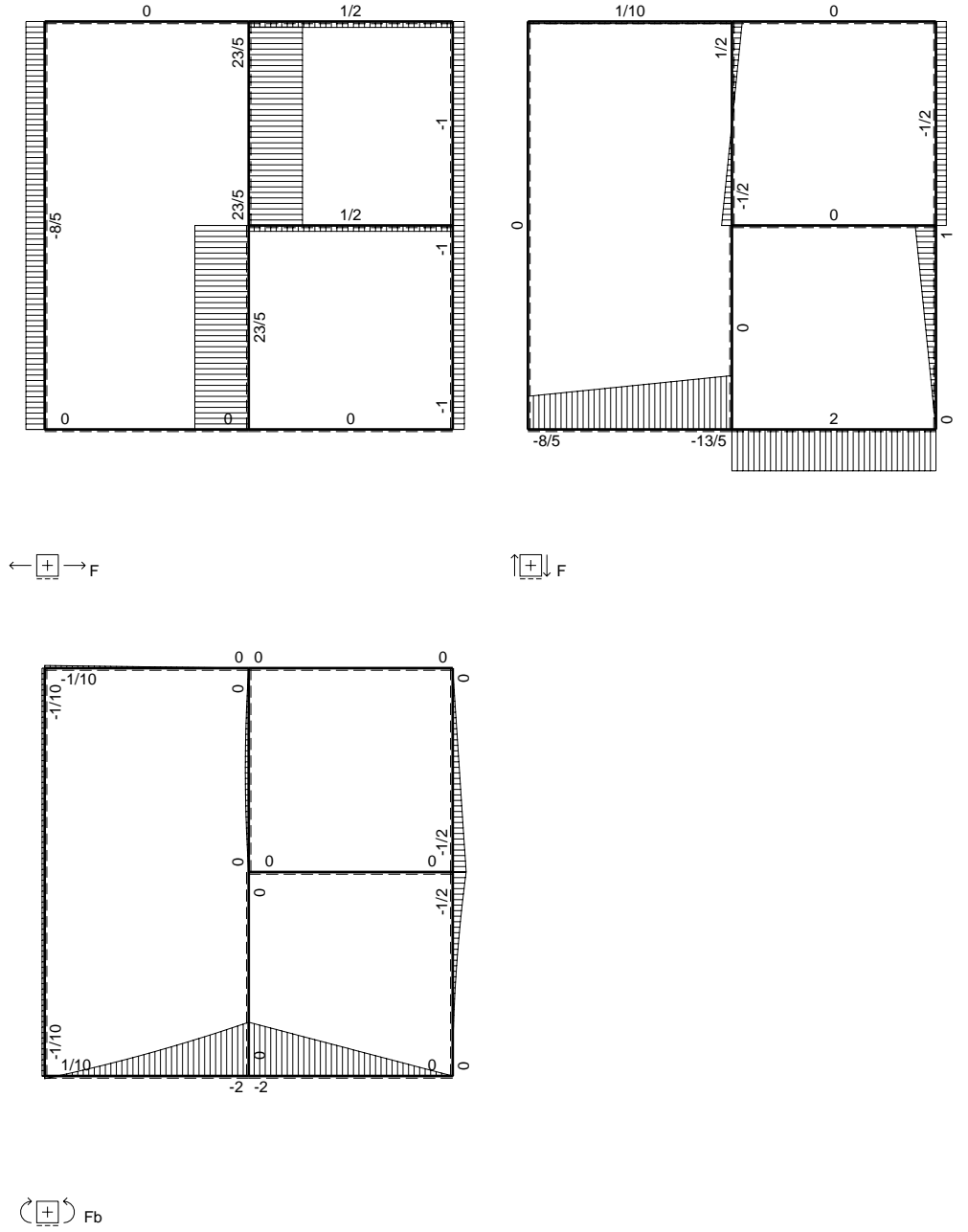
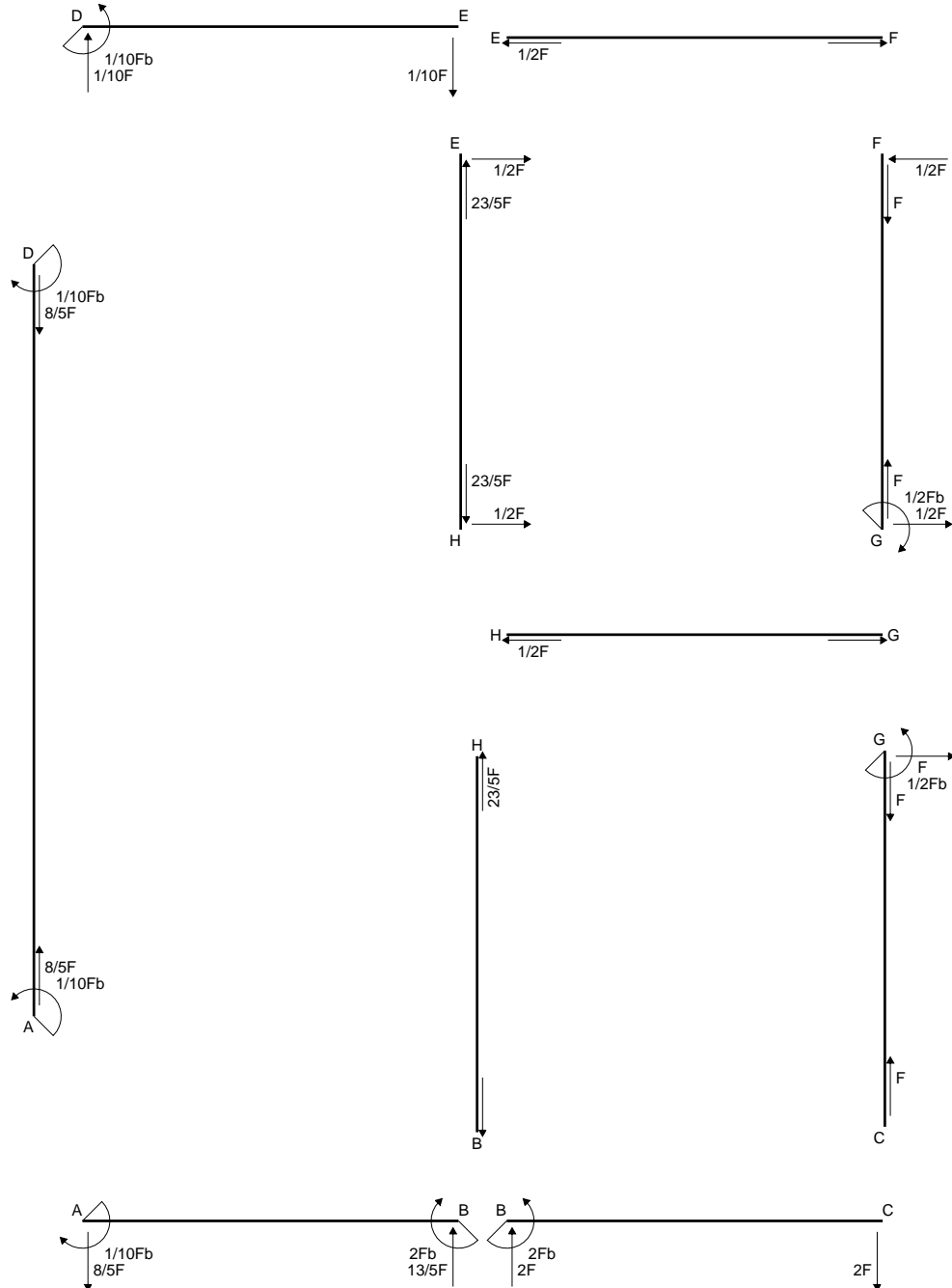
$$= \left[3/4 x^2/b - 1/3 x^3/b^2 - 1/8 x^4/b^3 \right]_0^b \cdot Fb \cdot 1/EJ + 1 \cdot 0 \cdot 1/4 \cdot Fb^2/EJ$$

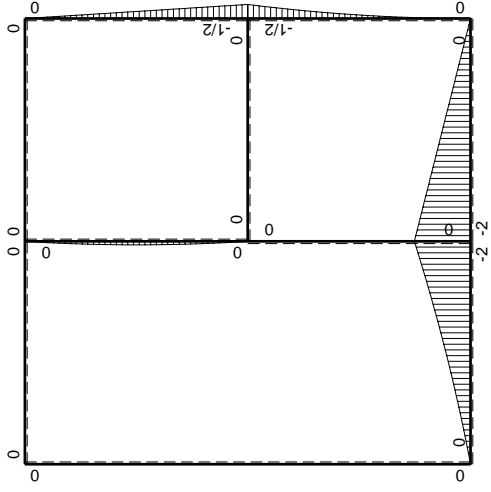
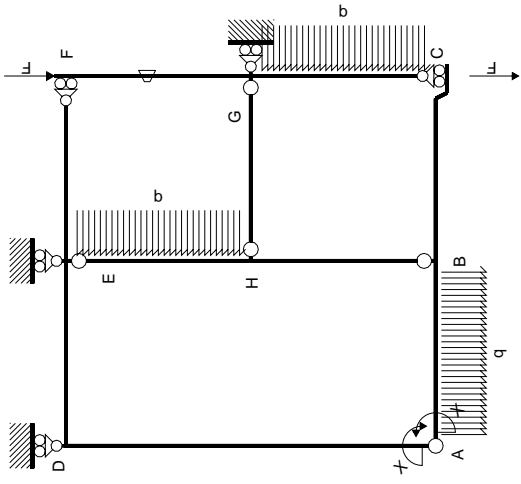
$$= (3/4 b - 1/3 b - 1/8 b) \cdot Fb \cdot 1/EJ + 1 \cdot 0 \cdot 1/4 \cdot Fb^2/EJ = 7/24 \cdot Fb^2/EJ$$

$$L_{BA}^{xo} = \int_0^b (2x/b - 5/2 x^2/b^2 + 1/2 x^3/b^3) \cdot Fb \cdot 1/EJ \, dx + 1 \cdot 0 \cdot 1/4 \cdot Fb^2/EJ$$

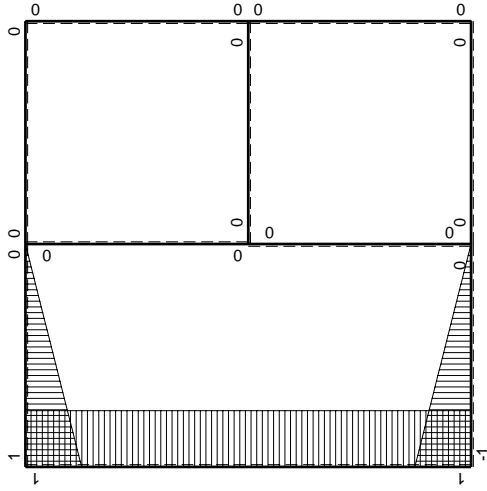
$$= \left[x^2/b - 5/6 x^3/b^2 + 1/8 x^4/b^3 \right]_0^b \cdot Fb \cdot 1/EJ + 1 \cdot 0 \cdot 1/4 \cdot Fb^2/EJ$$

$$= (b - 5/6 b + 1/8 b) \cdot Fb \cdot 1/EJ + 1 \cdot 0 \cdot 1/4 \cdot Fb^2/EJ = 7/24 \cdot Fb^2/EJ$$





M_0 flessione da carichi assegnati



M_x flessione da iperstatica $X=1$

Quadro contributi PLV per iperstatica $X=W_{AB}$

→	$M_x(x)$	$M_o(x)$	θ	$M_x M_o$	$M_x \theta$	$M_x M_x$	$\int M_x(M_o/EJ+\theta)dx$	$\int X M_x M_x/EJ dx$	
AB b	$-1+x/b$	$-3/2Fx-1/2qx^2$	0	$3/2Fx-Fx^2/b-1/2qx^3/b$	0	$1-2x/b+x^2/b^2$	$(7/24+0)Fb^2/EJ$	$1/3Xb/EJ$	
BA b	x/b	$2Fb-5/2Fx+1/2qx^2$	0	$2Fx-5/2Fx^2/b+1/2qx^3/b$	0	x^2/b^2			
BC b	0	$-2Fb+2Fx$	0	0	0	0	0+0	0	
CB b	0	$2Fx$	0	0	0	0			
AD 2b	1	0	0	0	0	1	0+0	$2Xb/EJ$	
DA 2b	-1	0	0	0	0	1			
DE b	$1-x/b$	0	0	0	0	$1-2x/b+x^2/b^2$	0+0	$1/3Xb/EJ$	
ED b	$-x/b$	0	0	0	0	x^2/b^2			
EF b	0	0	0	0	0	0	0+0	0	
FE b	0	0	0	0	0	0			
FG b	0	$-1/2Fx$	$-Fb/EJ$	0	0	0	0+0	0	
GF b	0	$1/2Fb-1/2Fx$	Fb/EJ	0	0	0			
GC b	0	$-1/2Fb+Fx-1/2qx^2$	0	0	0	0	0+0	0	
CG b	0	$1/2qx^2$	0	0	0	0			
HG b	0	0	0	0	0	0	0+0	0	
GH b	0	0	0	0	0	0			
HB b	0	0	0	0	0	0	0+0	0	
BH b	0	0	0	0	0	0			
HE b	0	$-1/2Fx+1/2qx^2$	0	0	0	0	0+0	0	
EH b	0	$1/2Fx-1/2qx^2$	0	0	0	0			
AB	molla asta $-W_{1AB}(W_{0AB}+XW_{1AB})/k_{AB}$								$1/4Xb/EJ$
	totali							$7/24Fb^2/EJ$	$35/12Xb/EJ$
	iperstatica $X=W_{AB}$							$-1/10Fb$	

Sviluppi di calcolo iperstatica

$$L_{AB}^{xx} = \int_0^b (1 - 2x/b + x^2/b^2) \frac{1}{EJ} dx + 1 \cdot 1/4 \cdot b/EJ = \left[x - x^2/b + 1/3 x^3/b^2 \right]_0^b \frac{1}{EJ} + 1 \cdot 1/4 \cdot b/EJ$$

$$= (b - b + 1/3 b) \frac{1}{EJ} + 1 \cdot 1/4 \cdot b/EJ = 7/12 \cdot b/EJ$$

$$L_{BA}^{xx} = \int_0^b (x^2/b^2) \frac{1}{EJ} dx + 1 \cdot 1/4 \cdot b/EJ = \left[1/3 x^3/b^2 \right]_0^b \frac{1}{EJ} + 1 \cdot 1/4 \cdot b/EJ$$

$$= (1/3 b) \frac{1}{EJ} + 1 \cdot 1/4 \cdot b/EJ = 7/12 \cdot b/EJ$$

$$L_{AD}^{xx} = \int_0^{2b} (1) \frac{1}{EJ} dx = \left[x \right]_0^{2b} \frac{1}{EJ}$$

$$= (2b) \frac{1}{EJ} = 2 \cdot b/EJ$$

$$L_{DA}^{xx} = \int_0^{2b} (1) \frac{1}{EJ} dx = \left[x \right]_0^{2b} \frac{1}{EJ}$$

$$= (2b) \frac{1}{EJ} = 2 \cdot b/EJ$$

$$L_{DE}^{xx} = \int_0^b (1 - 2x/b + x^2/b^2) \frac{1}{EJ} dx = \left[x - x^2/b + 1/3 x^3/b^2 \right]_0^b \frac{1}{EJ}$$

$$= (b - b + 1/3 b) \frac{1}{EJ} = 1/3 \cdot b/EJ$$

$$L_{ED}^{xx} = \int_0^b (x^2/b^2) \frac{1}{EJ} dx = \left[1/3 x^3/b^2 \right]_0^b \frac{1}{EJ}$$

$$= (1/3 b) \frac{1}{EJ} = 1/3 \cdot b/EJ$$

$$L_{AB}^{xo} = \int_0^b (3/2 x/b - x^2/b^2 - 1/2 x^3/b^3) Fb \frac{1}{EJ} dx + 1 \cdot 0 \cdot 1/4 \cdot Fb^2/EJ$$

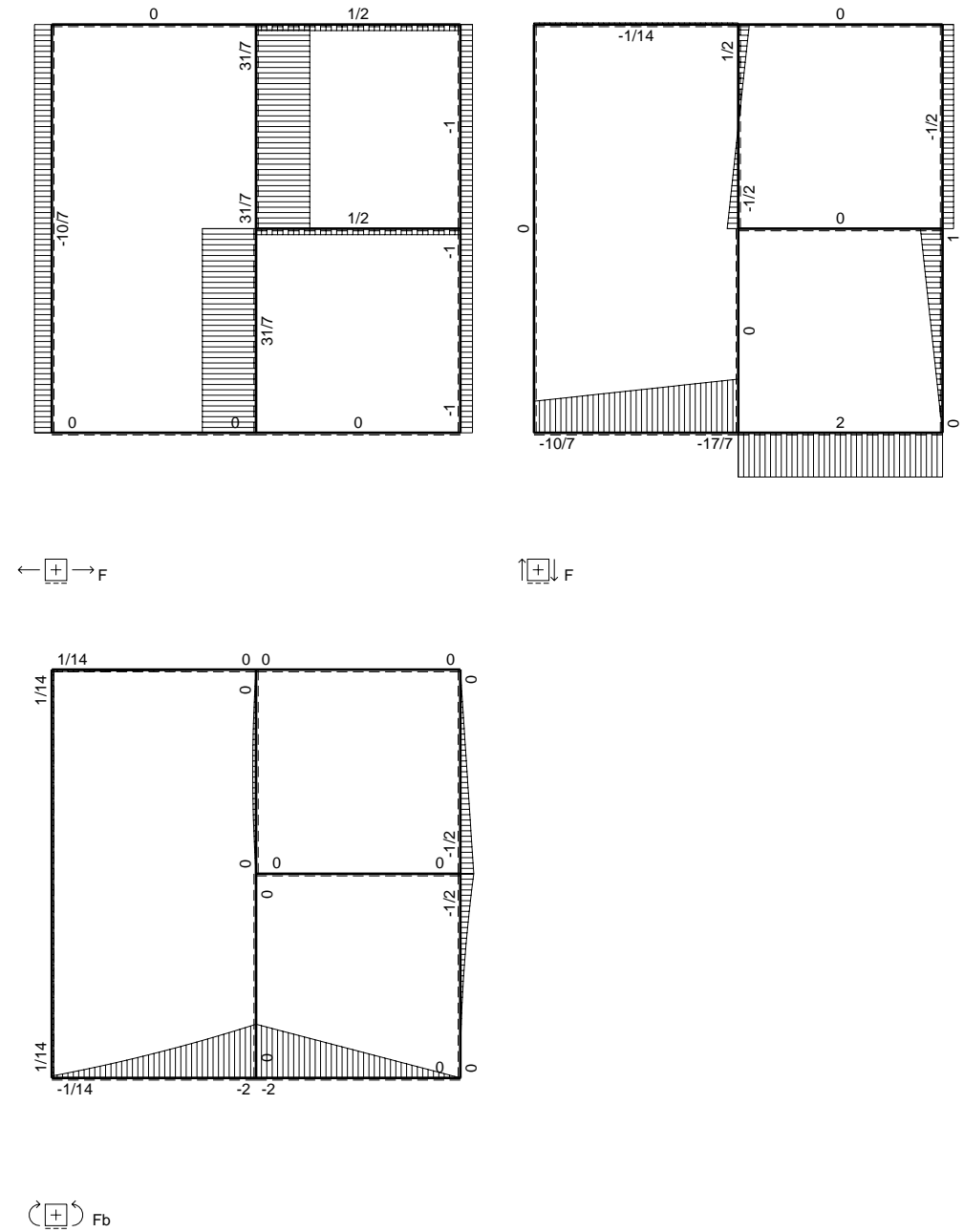
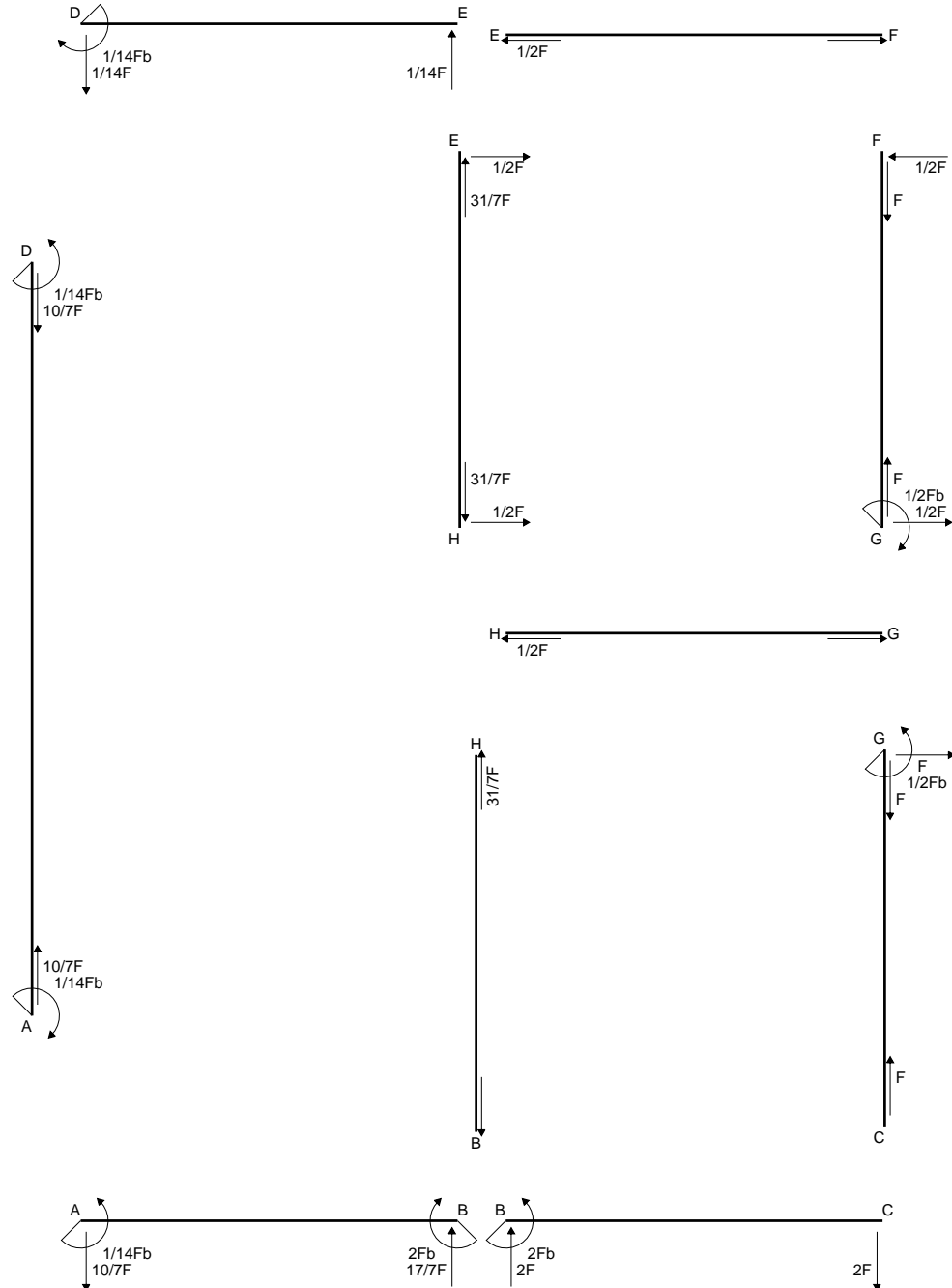
$$= \left[3/4 x^2/b - 1/3 x^3/b^2 - 1/8 x^4/b^3 \right]_0^b Fb \frac{1}{EJ} + 1 \cdot 0 \cdot 1/4 \cdot Fb^2/EJ$$

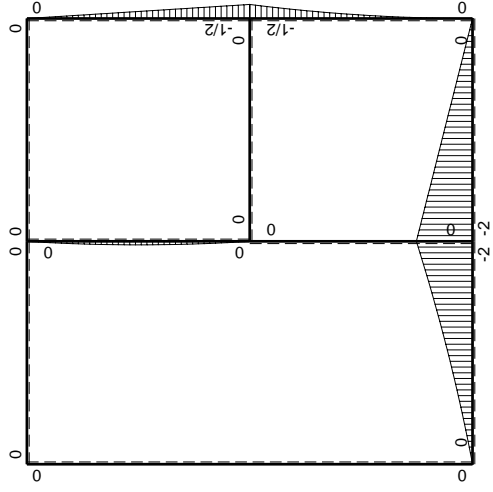
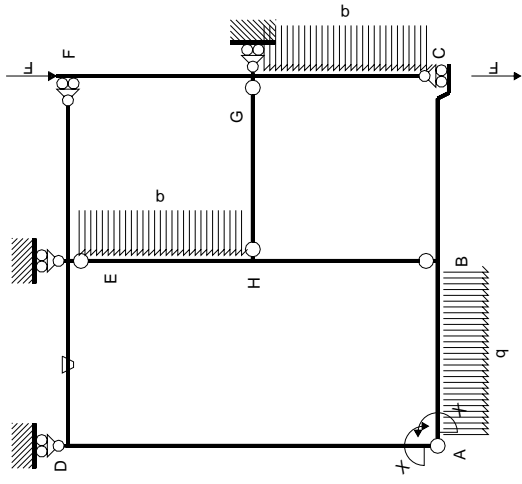
$$= (3/4 b - 1/3 b - 1/8 b) Fb \frac{1}{EJ} + 1 \cdot 0 \cdot 1/4 \cdot Fb^2/EJ = 7/24 \cdot Fb^2/EJ$$

$$L_{BA}^{xo} = \int_0^b (2x/b - 5/2 x^2/b^2 + 1/2 x^3/b^3) Fb \frac{1}{EJ} dx + 1 \cdot 0 \cdot 1/4 \cdot Fb^2/EJ$$

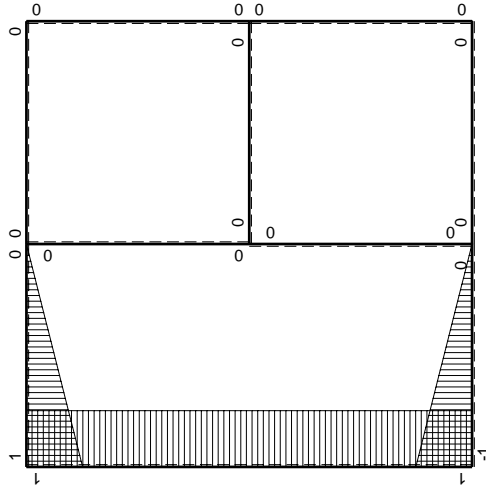
$$= \left[x^2/b - 5/6 x^3/b^2 + 1/8 x^4/b^3 \right]_0^b Fb \frac{1}{EJ} + 1 \cdot 0 \cdot 1/4 \cdot Fb^2/EJ$$

$$= (b - 5/6 b + 1/8 b) Fb \frac{1}{EJ} + 1 \cdot 0 \cdot 1/4 \cdot Fb^2/EJ = 7/24 \cdot Fb^2/EJ$$





M_0 flessione da carichi assegnati



M_x flessione da iperstatica $X=1$

Quadro contributi PLV per iperstatica $X=W_{AB}$

→	$M_x(x)$	$M_o(x)$	θ	$M_x M_o$	$M_x \theta$	$M_x M_x$	$\int M_x(M_o/EJ+\theta)dx$	$\int X M_x M_x / EJ dx$	
AB b	$-1+x/b$	$-3/2Fx-1/2qx^2$	0	$3/2Fx-Fx^2/b-1/2qx^3/b$	0	$1-2x/b+x^2/b^2$	$(7/24+0)Fb^2/EJ$	$1/3Xb/EJ$	
BA b	x/b	$2Fb-5/2Fx+1/2qx^2$	0	$2Fx-5/2Fx^2/b+1/2qx^3/b$	0	x^2/b^2			
BC b	0	$-2Fb+2Fx$	0	0	0	0	0+0	0	
CB b	0	$2Fx$	0	0	0	0			
AD 2b	1	0	0	0	0	1	0+0	$2Xb/EJ$	
DA 2b	-1	0	0	0	0	1			
DE b	$1-x/b$	0	$-Fb/EJ$	0	$-Fb/EJ+Fx/EJ$	$1-2x/b+x^2/b^2$	$(0-1/2)Fb^2/EJ$	$1/3Xb/EJ$	
ED b	$-x/b$	0	Fb/EJ	0	$-Fx/EJ$	x^2/b^2			
EF b	0	0	0	0	0	0	0+0	0	
FE b	0	0	0	0	0	0			
FG b	0	$-1/2Fx$	0	0	0	0	0+0	0	
GF b	0	$1/2Fb-1/2Fx$	0	0	0	0			
GC b	0	$-1/2Fb+Fx-1/2qx^2$	0	0	0	0	0+0	0	
CG b	0	$1/2qx^2$	0	0	0	0			
HG b	0	0	0	0	0	0	0+0	0	
GH b	0	0	0	0	0	0			
HB b	0	0	0	0	0	0	0+0	0	
BH b	0	0	0	0	0	0			
HE b	0	$-1/2Fx+1/2qx^2$	0	0	0	0	0+0	0	
EH b	0	$1/2Fx-1/2qx^2$	0	0	0	0			
AB	molla asta $-W_{1AB}(W_{0AB}+XW_{1AB})/k_{AB}$								$1/4Xb/EJ$
	totali							$-5/24Fb^2/EJ$	$35/12Xb/EJ$
	iperstatica $X=W_{AB}$							$1/14Fb$	

Sviluppi di calcolo iperstatica

$$L_{AB}^{xx} = \int_0^b (1 - 2x/b + x^2/b^2) \cdot 1/EJ \, dx + 1 \cdot 1/4 \cdot b/EJ = \left[x - x^2/b + 1/3 x^3/b^2 \right]_0^b \cdot 1/EJ + 1 \cdot 1/4 \cdot b/EJ$$

$$= (b - b + 1/3 b) \cdot 1/EJ + 1 \cdot 1/4 \cdot b/EJ = 7/12 \cdot b/EJ$$

$$L_{BA}^{xx} = \int_0^b (x^2/b^2) \cdot 1/EJ \, dx + 1 \cdot 1/4 \cdot b/EJ = \left[1/3 x^3/b^2 \right]_0^b \cdot 1/EJ + 1 \cdot 1/4 \cdot b/EJ$$

$$= (1/3 b) \cdot 1/EJ + 1 \cdot 1/4 \cdot b/EJ = 7/12 \cdot b/EJ$$

$$L_{AD}^{xx} = \int_0^{2b} (1) \cdot 1/EJ \, dx = \left[x \right]_0^{2b} \cdot 1/EJ$$

$$= (2b) \cdot 1/EJ = 2 \cdot b/EJ$$

$$L_{DA}^{xx} = \int_0^{2b} (1) \cdot 1/EJ \, dx = \left[x \right]_0^{2b} \cdot 1/EJ$$

$$= (2b) \cdot 1/EJ = 2 \cdot b/EJ$$

$$L_{DE}^{xx} = \int_0^b (1 - 2x/b + x^2/b^2) \cdot 1/EJ \, dx = \left[x - x^2/b + 1/3 x^3/b^2 \right]_0^b \cdot 1/EJ$$

$$= (b - b + 1/3 b) \cdot 1/EJ = 1/3 \cdot b/EJ$$

$$L_{ED}^{xx} = \int_0^b (x^2/b^2) \cdot 1/EJ \, dx = \left[1/3 x^3/b^2 \right]_0^b \cdot 1/EJ$$

$$= (1/3 b) \cdot 1/EJ = 1/3 \cdot b/EJ$$

$$L_{AB}^{xo} = \int_0^b (3/2 x/b - x^2/b^2 - 1/2 x^3/b^3) \cdot Fb \cdot 1/EJ \, dx + 1 \cdot 0 \cdot 1/4 \cdot Fb^2/EJ$$

$$= \left[3/4 x^2/b - 1/3 x^3/b^2 - 1/8 x^4/b^3 \right]_0^b \cdot Fb \cdot 1/EJ + 1 \cdot 0 \cdot 1/4 \cdot Fb^2/EJ$$

$$= (3/4 b - 1/3 b - 1/8 b) \cdot Fb \cdot 1/EJ + 1 \cdot 0 \cdot 1/4 \cdot Fb^2/EJ = 7/24 \cdot Fb^2/EJ$$

$$L_{BA}^{xo} = \int_0^b (2x/b - 5/2 x^2/b^2 + 1/2 x^3/b^3) \cdot Fb \cdot 1/EJ \, dx + 1 \cdot 0 \cdot 1/4 \cdot Fb^2/EJ$$

$$= \left[x^2/b - 5/6 x^3/b^2 + 1/8 x^4/b^3 \right]_0^b \cdot Fb \cdot 1/EJ + 1 \cdot 0 \cdot 1/4 \cdot Fb^2/EJ$$

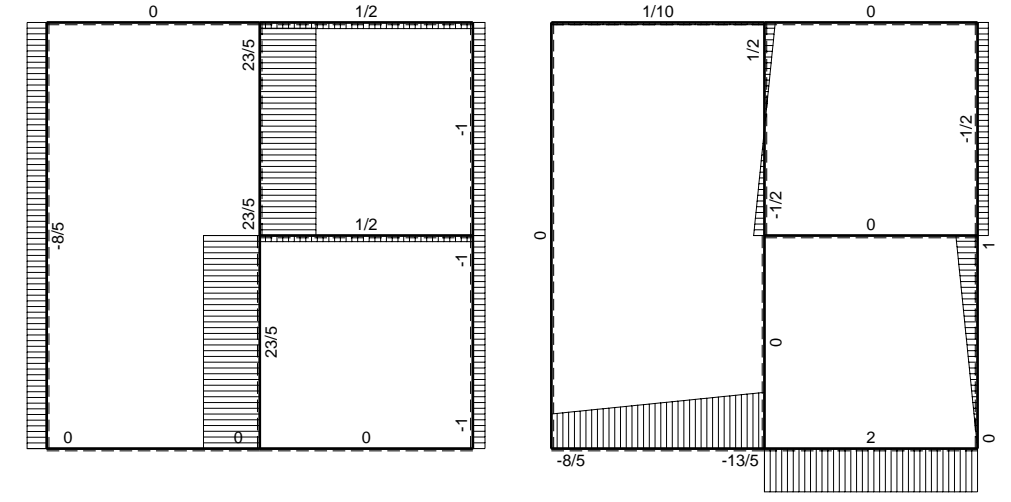
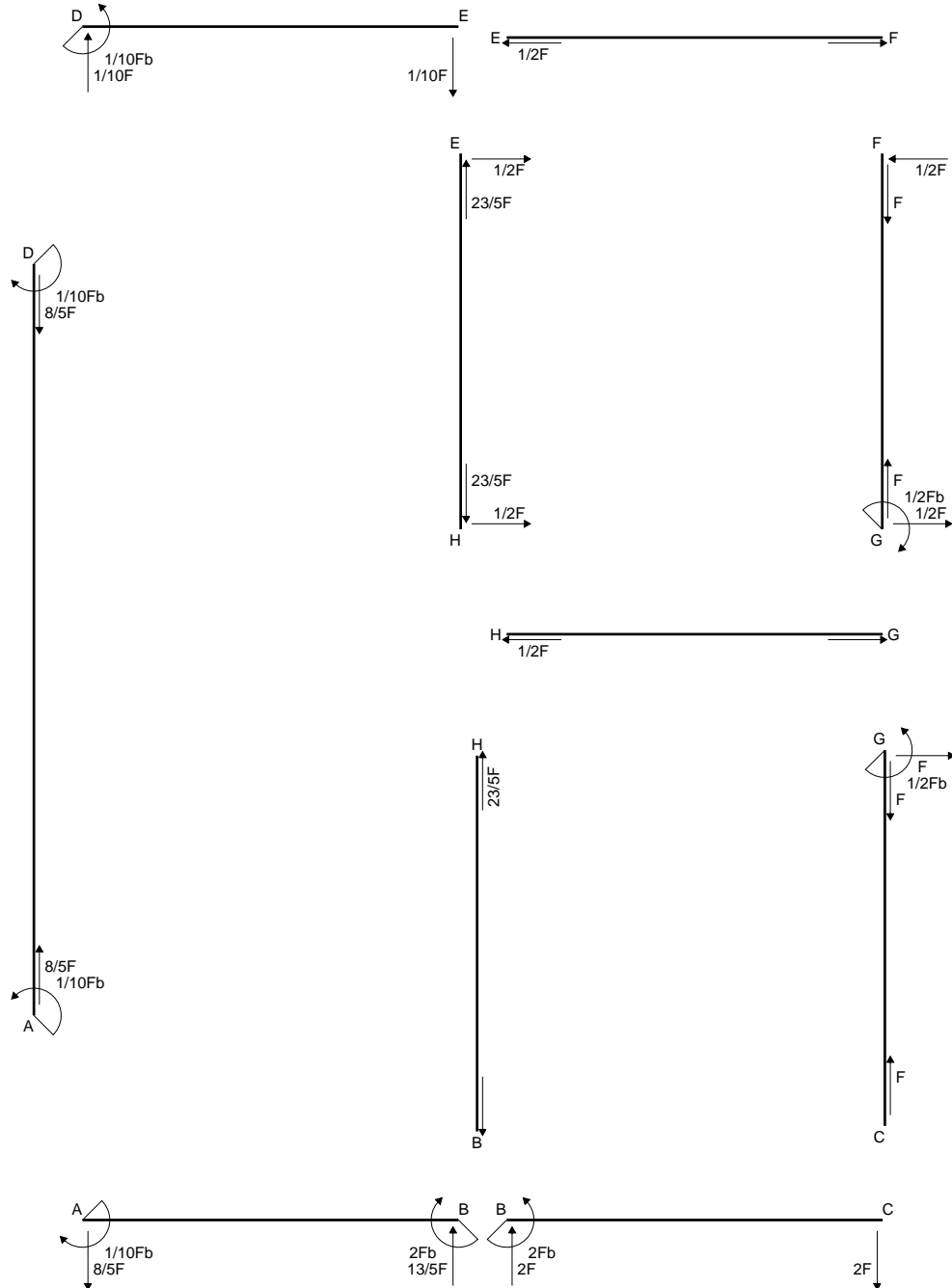
$$= (b - 5/6 b + 1/8 b) \cdot Fb \cdot 1/EJ + 1 \cdot 0 \cdot 1/4 \cdot Fb^2/EJ = 7/24 \cdot Fb^2/EJ$$

$$L_{DE}^{xo} = \int_0^b (-1 + x/b) \cdot \theta \, dx = \left[-x + 1/2 x^2/b \right]_0^b \cdot \theta$$

$$= (-b + 1/2 b) \cdot \theta = -1/2 \cdot Fb^2/EJ$$

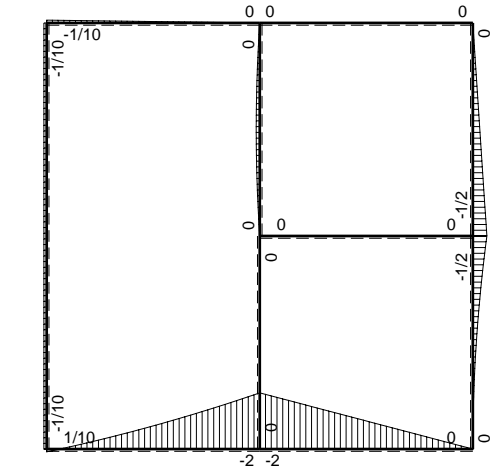
$$L_{ED}^{xo} = \int_0^b (x/b) \cdot \theta \, dx = \left[1/2 x^2/b \right]_0^b \cdot \theta$$

$$= (1/2 b) \cdot \theta = -1/2 \cdot Fb^2/EJ$$

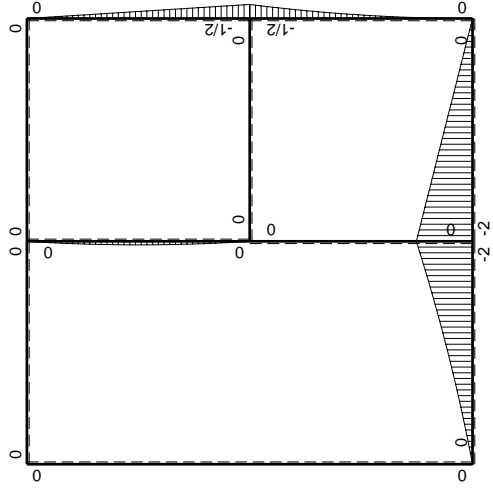
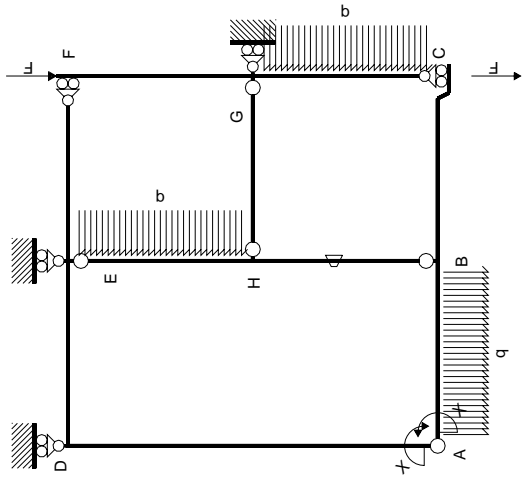


← ⊕ → F

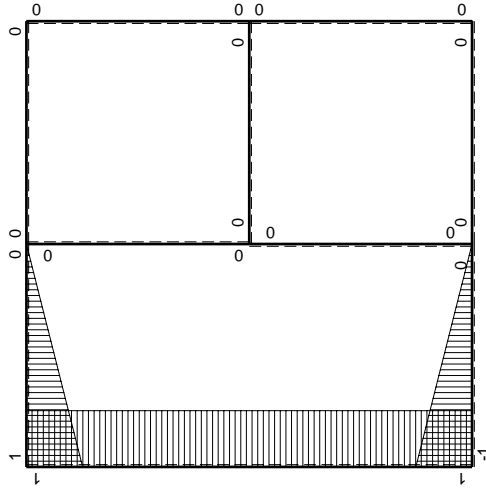
↑ ⊕ ↓ Fb



⊕ ⊖ Fb



M_0 flessione da carichi assegnati



M_x flessione da iperstatica X=1

Quadro contributi PLV per iperstatica $X=W_{AB}$

→	$M_x(x)$	$M_o(x)$	θ	$M_x M_o$	$M_x \theta$	$M_x M_x$	$\int M_x(M_o/EJ+\theta)dx$	$\int X M_x M_x/EJ dx$	
AB b	$-1+x/b$	$-3/2Fx-1/2qx^2$	0	$3/2Fx-Fx^2/b-1/2qx^3/b$	0	$1-2x/b+x^2/b^2$	$(7/24+0)Fb^2/EJ$	$1/3Xb/EJ$	
BA b	x/b	$2Fb-5/2Fx+1/2qx^2$	0	$2Fx-5/2Fx^2/b+1/2qx^3/b$	0	x^2/b^2			
BC b	0	$-2Fb+2Fx$	0	0	0	0	0+0	0	
CB b	0	$2Fx$	0	0	0	0			
AD 2b	1	0	0	0	0	1	0+0	$2Xb/EJ$	
DA 2b	-1	0	0	0	0	1			
DE b	$1-x/b$	0	0	0	0	$1-2x/b+x^2/b^2$	0+0	$1/3Xb/EJ$	
ED b	$-x/b$	0	0	0	0	x^2/b^2			
EF b	0	0	0	0	0	0	0+0	0	
FE b	0	0	0	0	0	0			
FG b	0	$-1/2Fx$	0	0	0	0	0+0	0	
GF b	0	$1/2Fb-1/2Fx$	0	0	0	0			
GC b	0	$-1/2Fb+Fx-1/2qx^2$	0	0	0	0	0+0	0	
CG b	0	$1/2qx^2$	0	0	0	0			
HG b	0	0	0	0	0	0	0+0	0	
GH b	0	0	0	0	0	0			
HB b	0	0	$-Fb/EJ$	0	0	0	0+0	0	
BH b	0	0	Fb/EJ	0	0	0			
HE b	0	$-1/2Fx+1/2qx^2$	0	0	0	0	0+0	0	
EH b	0	$1/2Fx-1/2qx^2$	0	0	0	0			
AB	molla asta $-W_{1AB}(W_{0AB}+XW_{1AB})/k_{AB}$								$1/4Xb/EJ$
	totali							$7/24Fb^2/EJ$	$35/12Xb/EJ$
	iperstatica $X=W_{AB}$							$-1/10Fb$	

Sviluppi di calcolo iperstatica

$$L_{AB}^{xx} = \int_0^b (1 - 2x/b + x^2/b^2) \cdot 1/EJ \, dx + 1 \cdot 1/4 \cdot b/EJ = \left[x - x^2/b + 1/3 x^3/b^2 \right]_0^b \cdot 1/EJ + 1 \cdot 1/4 \cdot b/EJ$$

$$= (b - b + 1/3 b) \cdot 1/EJ + 1 \cdot 1/4 \cdot b/EJ = 7/12 \cdot b/EJ$$

$$L_{BA}^{xx} = \int_0^b (x^2/b^2) \cdot 1/EJ \, dx + 1 \cdot 1/4 \cdot b/EJ = \left[1/3 x^3/b^2 \right]_0^b \cdot 1/EJ + 1 \cdot 1/4 \cdot b/EJ$$

$$= (1/3 b) \cdot 1/EJ + 1 \cdot 1/4 \cdot b/EJ = 7/12 \cdot b/EJ$$

$$L_{AD}^{xx} = \int_0^{2b} (1) \cdot 1/EJ \, dx = \left[x \right]_0^{2b} \cdot 1/EJ$$

$$= (2b) \cdot 1/EJ = 2 \cdot b/EJ$$

$$L_{DA}^{xx} = \int_0^{2b} (1) \cdot 1/EJ \, dx = \left[x \right]_0^{2b} \cdot 1/EJ$$

$$= (2b) \cdot 1/EJ = 2 \cdot b/EJ$$

$$L_{DE}^{xx} = \int_0^b (1 - 2x/b + x^2/b^2) \cdot 1/EJ \, dx = \left[x - x^2/b + 1/3 x^3/b^2 \right]_0^b \cdot 1/EJ$$

$$= (b - b + 1/3 b) \cdot 1/EJ = 1/3 \cdot b/EJ$$

$$L_{ED}^{xx} = \int_0^b (x^2/b^2) \cdot 1/EJ \, dx = \left[1/3 x^3/b^2 \right]_0^b \cdot 1/EJ$$

$$= (1/3 b) \cdot 1/EJ = 1/3 \cdot b/EJ$$

$$L_{AB}^{xo} = \int_0^b (3/2 x/b - x^2/b^2 - 1/2 x^3/b^3) \cdot Fb \cdot 1/EJ \, dx + 1 \cdot 0 \cdot 1/4 \cdot Fb^2/EJ$$

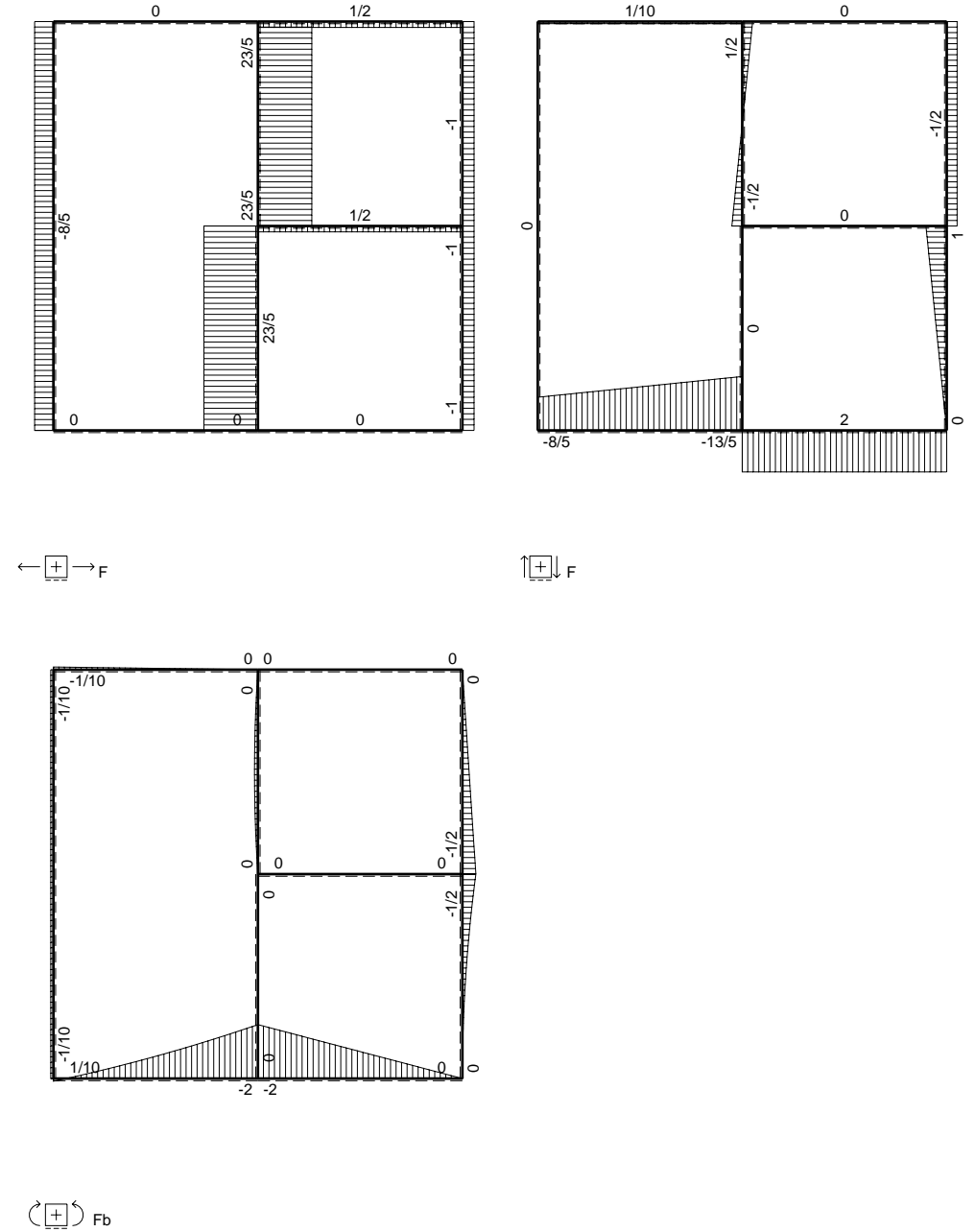
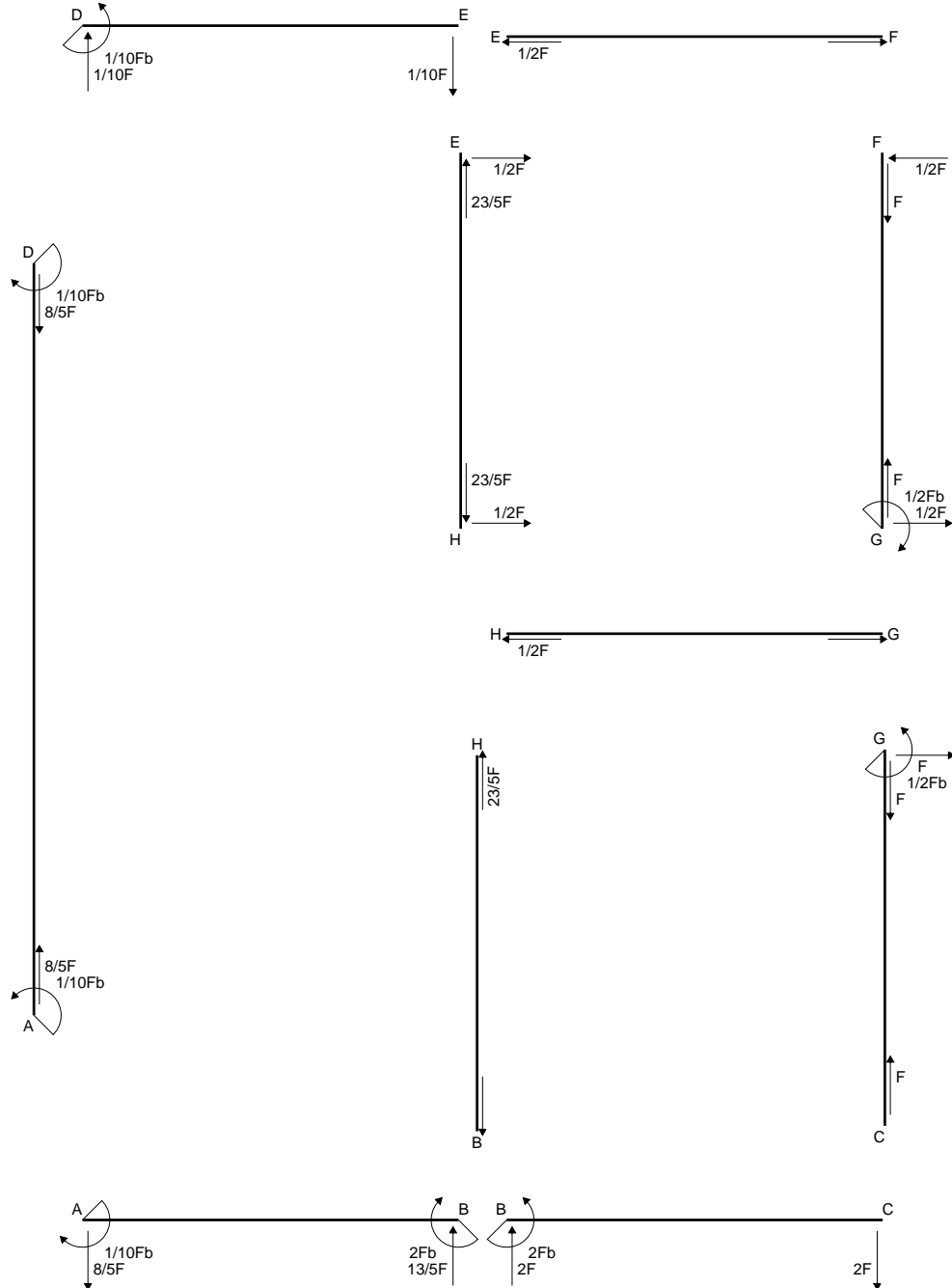
$$= \left[3/4 x^2/b - 1/3 x^3/b^2 - 1/8 x^4/b^3 \right]_0^b \cdot Fb \cdot 1/EJ + 1 \cdot 0 \cdot 1/4 \cdot Fb^2/EJ$$

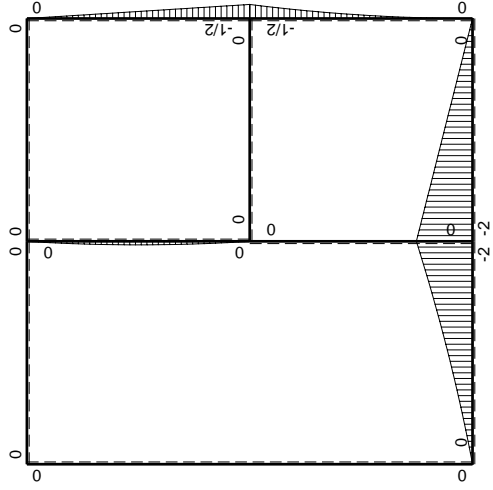
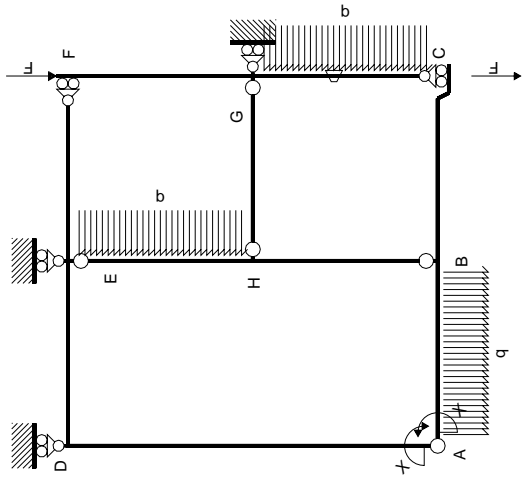
$$= (3/4 b - 1/3 b - 1/8 b) \cdot Fb \cdot 1/EJ + 1 \cdot 0 \cdot 1/4 \cdot Fb^2/EJ = 7/24 \cdot Fb^2/EJ$$

$$L_{BA}^{xo} = \int_0^b (2x/b - 5/2 x^2/b^2 + 1/2 x^3/b^3) \cdot Fb \cdot 1/EJ \, dx + 1 \cdot 0 \cdot 1/4 \cdot Fb^2/EJ$$

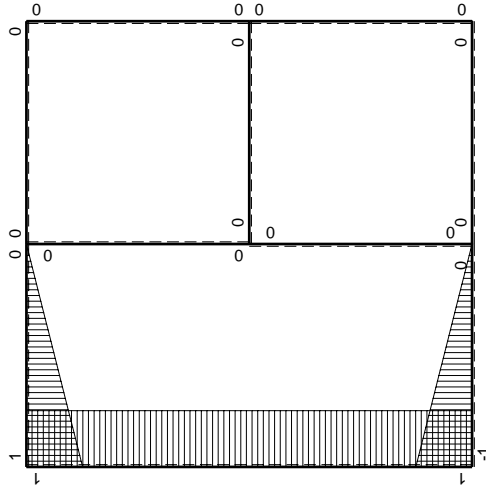
$$= \left[x^2/b - 5/6 x^3/b^2 + 1/8 x^4/b^3 \right]_0^b \cdot Fb \cdot 1/EJ + 1 \cdot 0 \cdot 1/4 \cdot Fb^2/EJ$$

$$= (b - 5/6 b + 1/8 b) \cdot Fb \cdot 1/EJ + 1 \cdot 0 \cdot 1/4 \cdot Fb^2/EJ = 7/24 \cdot Fb^2/EJ$$





M_0 flessione da carichi assegnati



M_x flessione da iperstatica $X=1$

Quadro contributi PLV per iperstatica $X=W_{AB}$

→	$M_x(x)$	$M_o(x)$	θ	$M_x M_o$	$M_x \theta$	$M_x M_x$	$\int M_x(M_o/EJ+\theta)dx$	$\int X M_x M_x/EJ dx$	
AB b	$-1+x/b$	$-3/2Fx-1/2qx^2$	0	$3/2Fx-Fx^2/b-1/2qx^3/b$	0	$1-2x/b+x^2/b^2$	$(7/24+0)Fb^2/EJ$	$1/3Xb/EJ$	
BA b	x/b	$2Fb-5/2Fx+1/2qx^2$	0	$2Fx-5/2Fx^2/b+1/2qx^3/b$	0	x^2/b^2			
BC b	0	$-2Fb+2Fx$	0	0	0	0	0+0	0	
CB b	0	$2Fx$	0	0	0	0			
AD 2b	1	0	0	0	0	1	0+0	$2Xb/EJ$	
DA 2b	-1	0	0	0	0	1			
DE b	$1-x/b$	0	0	0	0	$1-2x/b+x^2/b^2$	0+0	$1/3Xb/EJ$	
ED b	$-x/b$	0	0	0	0	x^2/b^2			
EF b	0	0	0	0	0	0	0+0	0	
FE b	0	0	0	0	0	0			
FG b	0	$-1/2Fx$	0	0	0	0	0+0	0	
GF b	0	$1/2Fb-1/2Fx$	0	0	0	0			
GC b	0	$-1/2Fb+Fx-1/2qx^2$	$-Fb/EJ$	0	0	0	0+0	0	
CG b	0	$1/2qx^2$	Fb/EJ	0	0	0			
HG b	0	0	0	0	0	0	0+0	0	
GH b	0	0	0	0	0	0			
HB b	0	0	0	0	0	0	0+0	0	
BH b	0	0	0	0	0	0			
HE b	0	$-1/2Fx+1/2qx^2$	0	0	0	0	0+0	0	
EH b	0	$1/2Fx-1/2qx^2$	0	0	0	0			
AB	molla asta $-W_{1AB}(W_{0AB}+XW_{1AB})/k_{AB}$								$1/4Xb/EJ$
	totali							$7/24Fb^2/EJ$	$35/12Xb/EJ$
	iperstatica $X=W_{AB}$							$-1/10Fb$	

Sviluppi di calcolo iperstatica

$$L_{AB}^{xx} = \int_0^b (1 - 2x/b + x^2/b^2) \frac{1}{EJ} dx + 1 \cdot 1 \cdot \frac{1}{4} \frac{b}{EJ} = \left[x - x^2/b + 1/3 x^3/b^2 \right]_0^b \frac{1}{EJ} + 1 \cdot 1 \cdot \frac{1}{4} \frac{b}{EJ}$$

$$= (b - b + 1/3 b) \frac{1}{EJ} + 1 \cdot 1 \cdot \frac{1}{4} \frac{b}{EJ} = 7/12 \frac{b}{EJ}$$

$$L_{BA}^{xx} = \int_0^b (x^2/b^2) \frac{1}{EJ} dx + 1 \cdot 1 \cdot \frac{1}{4} \frac{b}{EJ} = \left[1/3 x^3/b^2 \right]_0^b \frac{1}{EJ} + 1 \cdot 1 \cdot \frac{1}{4} \frac{b}{EJ}$$

$$= (1/3 b) \frac{1}{EJ} + 1 \cdot 1 \cdot \frac{1}{4} \frac{b}{EJ} = 7/12 \frac{b}{EJ}$$

$$L_{AD}^{xx} = \int_0^{2b} (1) \frac{1}{EJ} dx = \left[x \right]_0^{2b} \frac{1}{EJ}$$

$$= (2b) \frac{1}{EJ} = 2 \frac{b}{EJ}$$

$$L_{DA}^{xx} = \int_0^{2b} (1) \frac{1}{EJ} dx = \left[x \right]_0^{2b} \frac{1}{EJ}$$

$$= (2b) \frac{1}{EJ} = 2 \frac{b}{EJ}$$

$$L_{DE}^{xx} = \int_0^b (1 - 2x/b + x^2/b^2) \frac{1}{EJ} dx = \left[x - x^2/b + 1/3 x^3/b^2 \right]_0^b \frac{1}{EJ}$$

$$= (b - b + 1/3 b) \frac{1}{EJ} = 1/3 \frac{b}{EJ}$$

$$L_{ED}^{xx} = \int_0^b (x^2/b^2) \frac{1}{EJ} dx = \left[1/3 x^3/b^2 \right]_0^b \frac{1}{EJ}$$

$$= (1/3 b) \frac{1}{EJ} = 1/3 \frac{b}{EJ}$$

$$L_{AB}^{xo} = \int_0^b (3/2 x/b - x^2/b^2 - 1/2 x^3/b^3) Fb \frac{1}{EJ} dx + 1 \cdot 0 \cdot \frac{1}{4} \frac{Fb^2}{EJ}$$

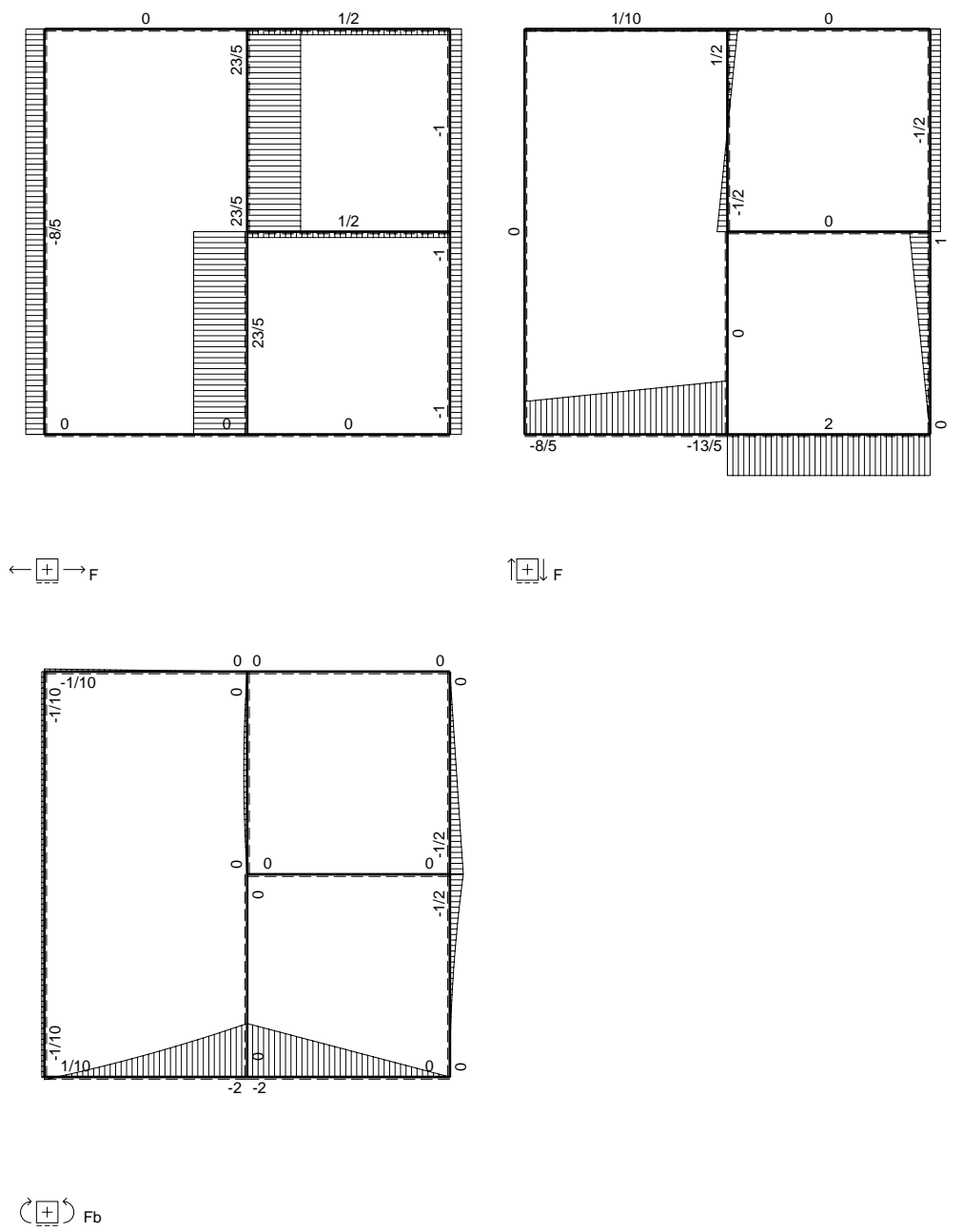
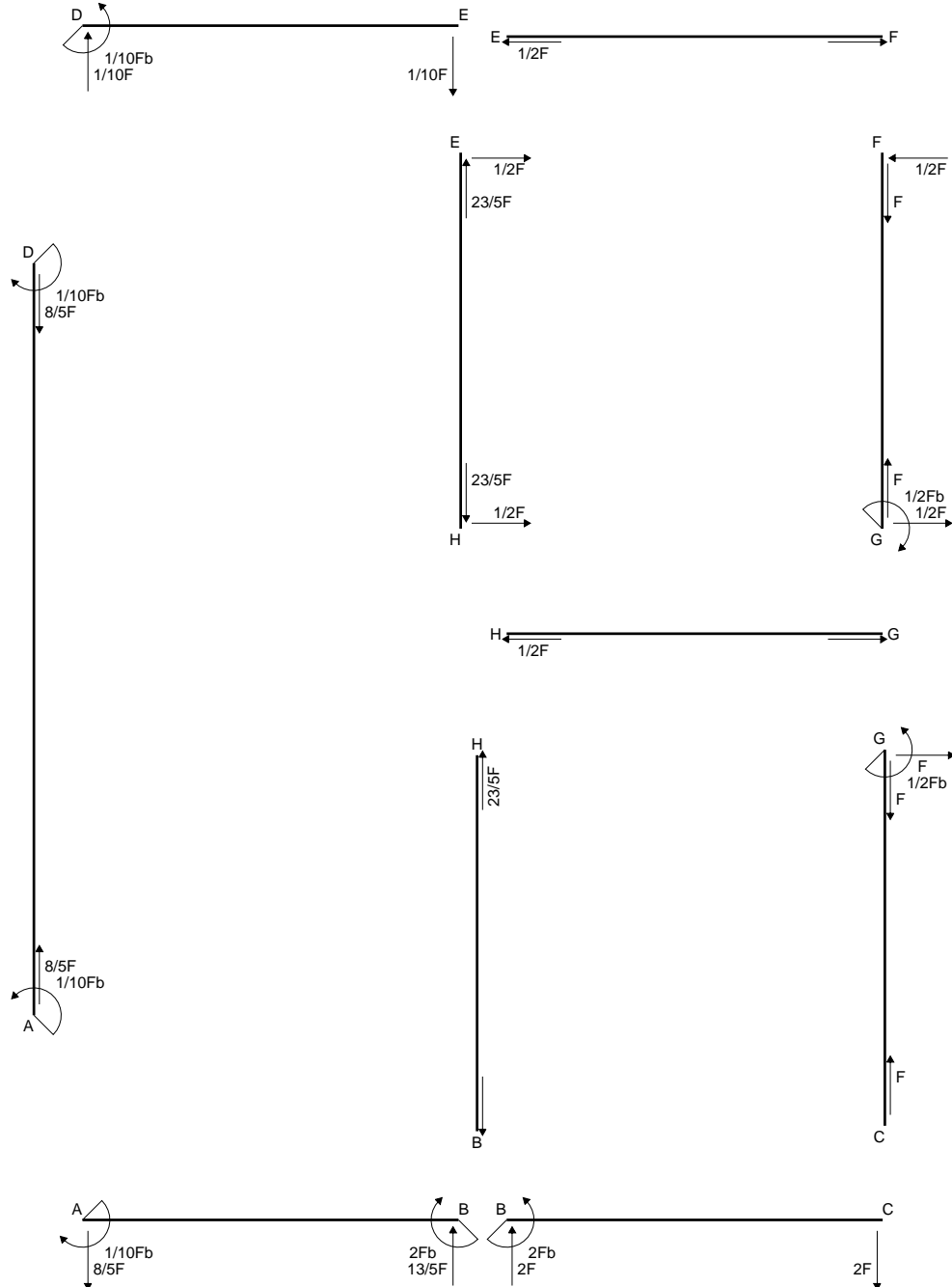
$$= \left[3/4 x^2/b - 1/3 x^3/b^2 - 1/8 x^4/b^3 \right]_0^b Fb \frac{1}{EJ} + 1 \cdot 0 \cdot \frac{1}{4} \frac{Fb^2}{EJ}$$

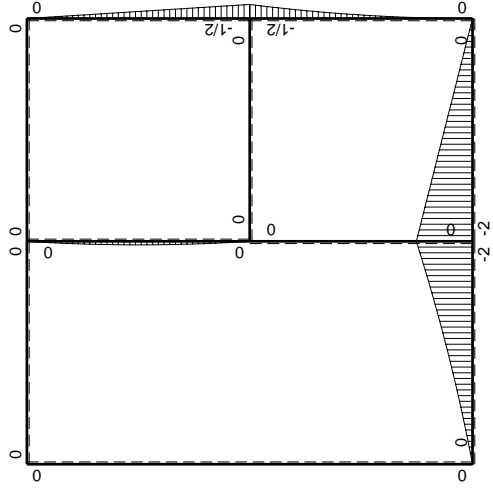
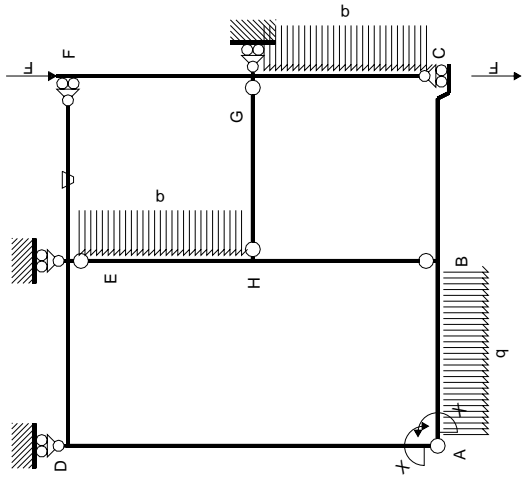
$$= (3/4 b - 1/3 b - 1/8 b) Fb \frac{1}{EJ} + 1 \cdot 0 \cdot \frac{1}{4} \frac{Fb^2}{EJ} = 7/24 \frac{Fb^2}{EJ}$$

$$L_{BA}^{xo} = \int_0^b (2x/b - 5/2 x^2/b^2 + 1/2 x^3/b^3) Fb \frac{1}{EJ} dx + 1 \cdot 0 \cdot \frac{1}{4} \frac{Fb^2}{EJ}$$

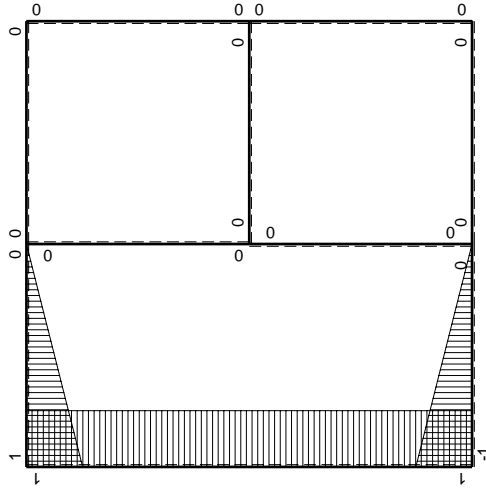
$$= \left[x^2/b - 5/6 x^3/b^2 + 1/8 x^4/b^3 \right]_0^b Fb \frac{1}{EJ} + 1 \cdot 0 \cdot \frac{1}{4} \frac{Fb^2}{EJ}$$

$$= (b - 5/6 b + 1/8 b) Fb \frac{1}{EJ} + 1 \cdot 0 \cdot \frac{1}{4} \frac{Fb^2}{EJ} = 7/24 \frac{Fb^2}{EJ}$$





M_0 flessione da carichi assegnati



M_x flessione da iperstatica $X=1$

Quadro contributi PLV per iperstatica $X=W_{AB}$

→	$M_x(x)$	$M_o(x)$	θ	$M_x M_o$	$M_x \theta$	$M_x M_x$	$\int M_x(M_o/EJ+\theta)dx$	$\int X M_x M_x/EJ dx$	
AB b	$-1+x/b$	$-3/2Fx-1/2qx^2$	0	$3/2Fx-Fx^2/b-1/2qx^3/b$	0	$1-2x/b+x^2/b^2$	$(7/24+0)Fb^2/EJ$	$1/3Xb/EJ$	
BA b	x/b	$2Fb-5/2Fx+1/2qx^2$	0	$2Fx-5/2Fx^2/b+1/2qx^3/b$	0	x^2/b^2			
BC b	0	$-2Fb+2Fx$	0	0	0	0	0+0	0	
CB b	0	$2Fx$	0	0	0	0			
AD 2b	1	0	0	0	0	1	0+0	$2Xb/EJ$	
DA 2b	-1	0	0	0	0	1			
DE b	$1-x/b$	0	0	0	0	$1-2x/b+x^2/b^2$	0+0	$1/3Xb/EJ$	
ED b	$-x/b$	0	0	0	0	x^2/b^2			
EF b	0	0	$-Fb/EJ$	0	0	0	0+0	0	
FE b	0	0	Fb/EJ	0	0	0			
FG b	0	$-1/2Fx$	0	0	0	0	0+0	0	
GF b	0	$1/2Fb-1/2Fx$	0	0	0	0			
GC b	0	$-1/2Fb+Fx-1/2qx^2$	0	0	0	0	0+0	0	
CG b	0	$1/2qx^2$	0	0	0	0			
HG b	0	0	0	0	0	0	0+0	0	
GH b	0	0	0	0	0	0			
HB b	0	0	0	0	0	0	0+0	0	
BH b	0	0	0	0	0	0			
HE b	0	$-1/2Fx+1/2qx^2$	0	0	0	0	0+0	0	
EH b	0	$1/2Fx-1/2qx^2$	0	0	0	0			
AB	molla asta $-W_{1AB}(W_{0AB}+XW_{1AB})/k_{AB}$								$1/4Xb/EJ$
	totali							$7/24Fb^2/EJ$	$35/12Xb/EJ$
	iperstatica $X=W_{AB}$							$-1/10Fb$	

Sviluppi di calcolo iperstatica

$$L_{AB}^{xx} = \int_0^b (1 - 2x/b + x^2/b^2) \frac{1}{EJ} dx + 1 \cdot 1/4 \cdot b/EJ = \left[x - x^2/b + 1/3 x^3/b^2 \right]_0^b \frac{1}{EJ} + 1 \cdot 1/4 \cdot b/EJ$$

$$= (b - b + 1/3 b) \frac{1}{EJ} + 1 \cdot 1/4 \cdot b/EJ = 7/12 \cdot b/EJ$$

$$L_{BA}^{xx} = \int_0^b (x^2/b^2) \frac{1}{EJ} dx + 1 \cdot 1/4 \cdot b/EJ = \left[1/3 x^3/b^2 \right]_0^b \frac{1}{EJ} + 1 \cdot 1/4 \cdot b/EJ$$

$$= (1/3 b) \frac{1}{EJ} + 1 \cdot 1/4 \cdot b/EJ = 7/12 \cdot b/EJ$$

$$L_{AD}^{xx} = \int_0^{2b} (1) \frac{1}{EJ} dx = \left[x \right]_0^{2b} \frac{1}{EJ}$$

$$= (2b) \frac{1}{EJ} = 2 \cdot b/EJ$$

$$L_{DA}^{xx} = \int_0^{2b} (1) \frac{1}{EJ} dx = \left[x \right]_0^{2b} \frac{1}{EJ}$$

$$= (2b) \frac{1}{EJ} = 2 \cdot b/EJ$$

$$L_{DE}^{xx} = \int_0^b (1 - 2x/b + x^2/b^2) \frac{1}{EJ} dx = \left[x - x^2/b + 1/3 x^3/b^2 \right]_0^b \frac{1}{EJ}$$

$$= (b - b + 1/3 b) \frac{1}{EJ} = 1/3 \cdot b/EJ$$

$$L_{ED}^{xx} = \int_0^b (x^2/b^2) \frac{1}{EJ} dx = \left[1/3 x^3/b^2 \right]_0^b \frac{1}{EJ}$$

$$= (1/3 b) \frac{1}{EJ} = 1/3 \cdot b/EJ$$

$$L_{AB}^{xo} = \int_0^b (3/2 x/b - x^2/b^2 - 1/2 x^3/b^3) Fb \frac{1}{EJ} dx + 1 \cdot 0 \cdot 1/4 \cdot Fb^2/EJ$$

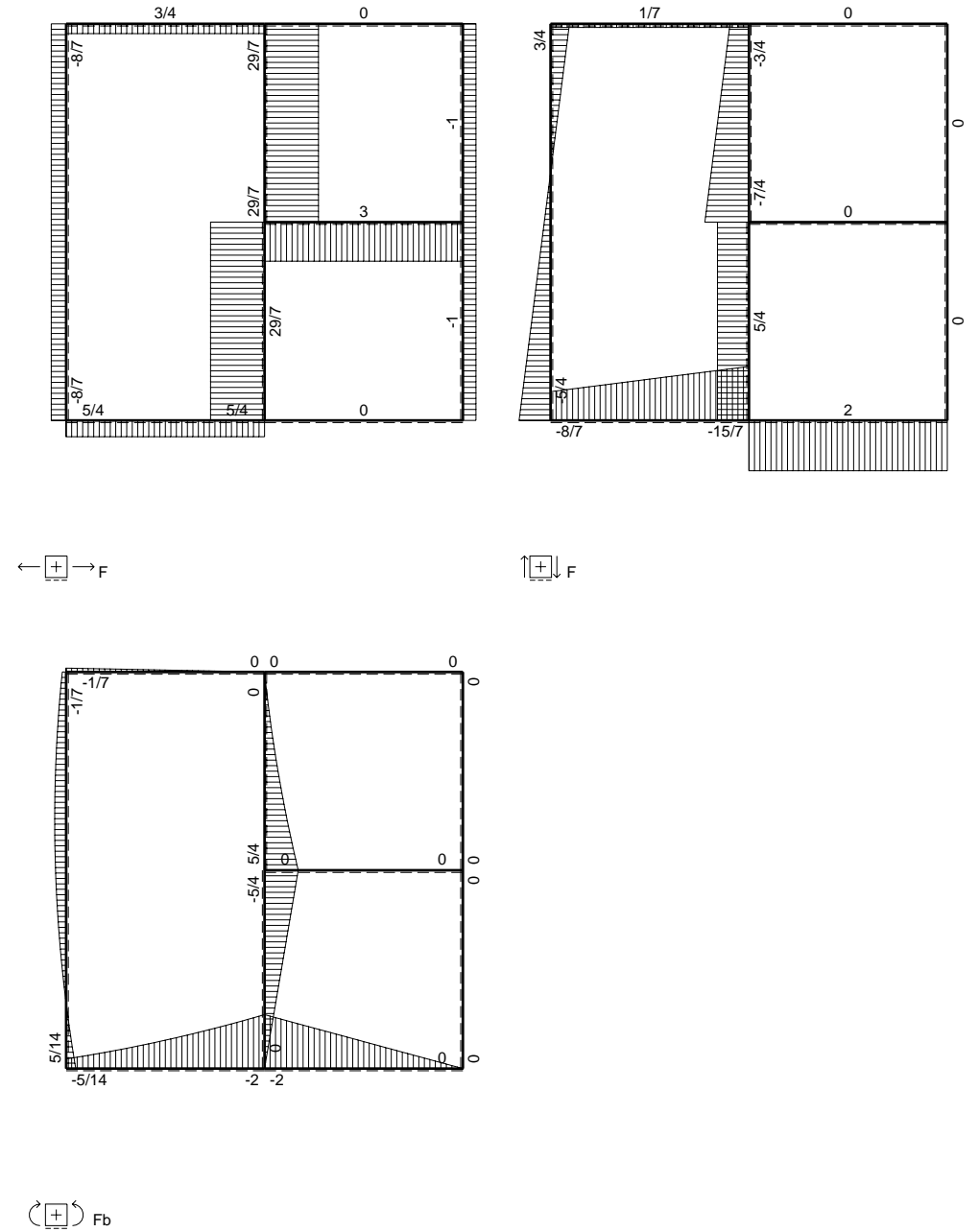
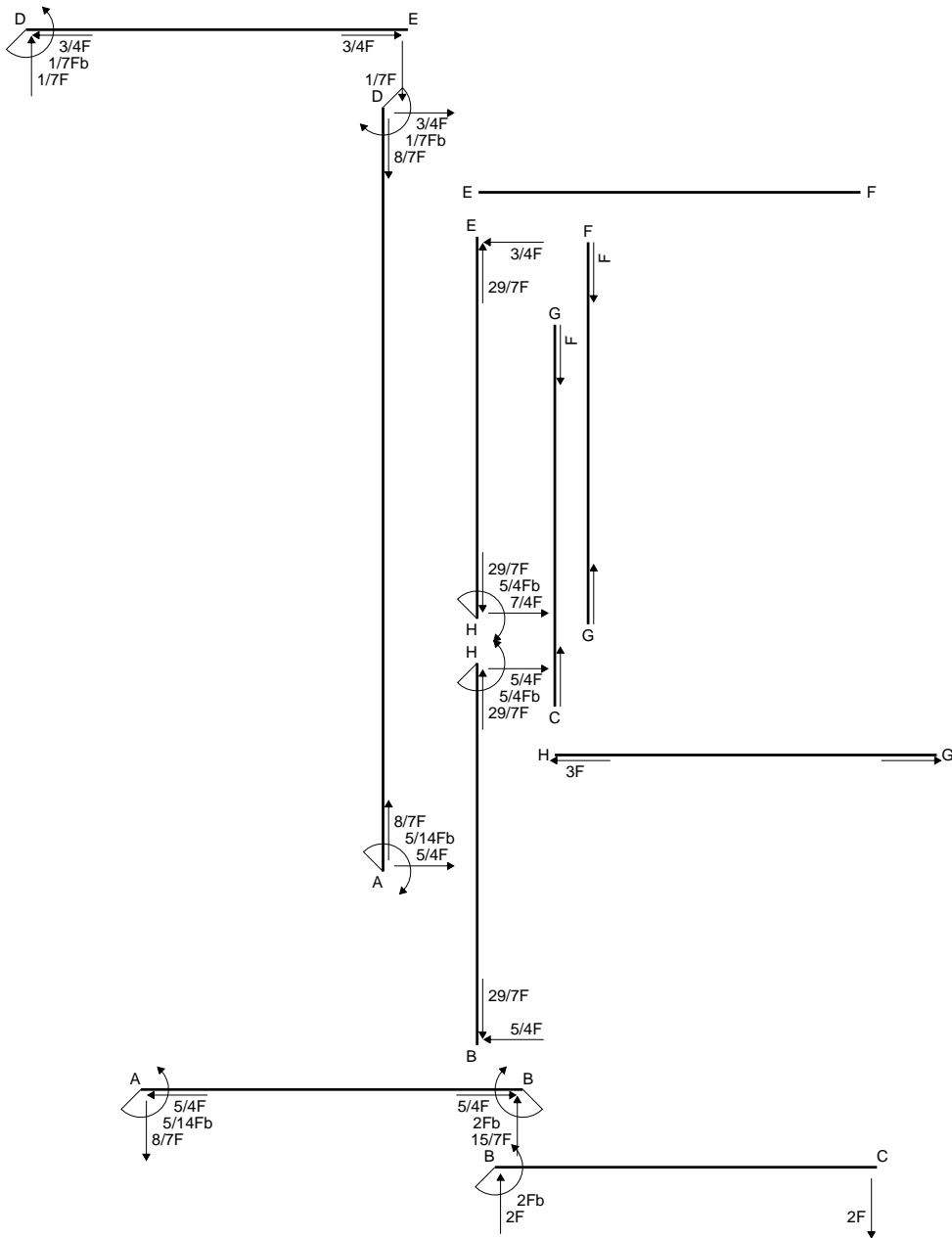
$$= \left[3/4 x^2/b - 1/3 x^3/b^2 - 1/8 x^4/b^3 \right]_0^b Fb \frac{1}{EJ} + 1 \cdot 0 \cdot 1/4 \cdot Fb^2/EJ$$

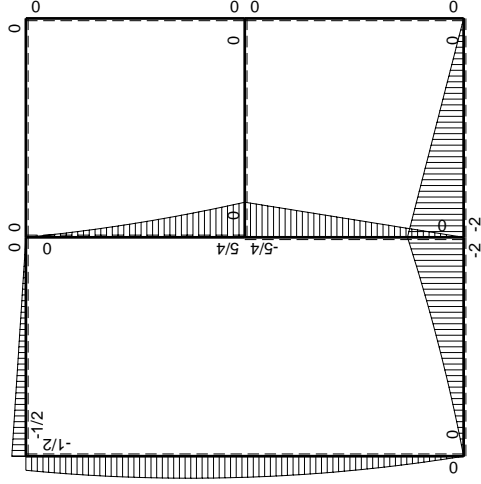
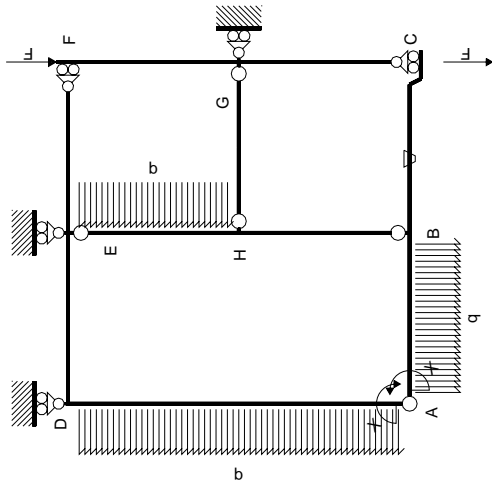
$$= (3/4 b - 1/3 b - 1/8 b) Fb \frac{1}{EJ} + 1 \cdot 0 \cdot 1/4 \cdot Fb^2/EJ = 7/24 \cdot Fb^2/EJ$$

$$L_{BA}^{xo} = \int_0^b (2x/b - 5/2 x^2/b^2 + 1/2 x^3/b^3) Fb \frac{1}{EJ} dx + 1 \cdot 0 \cdot 1/4 \cdot Fb^2/EJ$$

$$= \left[x^2/b - 5/6 x^3/b^2 + 1/8 x^4/b^3 \right]_0^b Fb \frac{1}{EJ} + 1 \cdot 0 \cdot 1/4 \cdot Fb^2/EJ$$

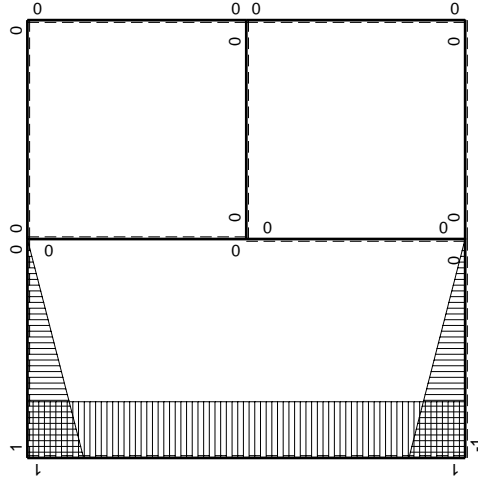
$$= (b - 5/6 b + 1/8 b) Fb \frac{1}{EJ} + 1 \cdot 0 \cdot 1/4 \cdot Fb^2/EJ = 7/24 \cdot Fb^2/EJ$$





Schema di calcolo iperstatico

M_0 flessione da carichi assegnati



M_1 flessione da iperstatica $X=1$

Quadro contributi PLV per iperstatica $X=W_{AB}$

→	$M_x(x)$	$M_o(x)$	θ	$M_x M_o$	$M_x \theta$	$M_x M_x$	$\int M_x(M_o/EJ+\theta)dx$	$\int X M_x M_x/EJ dx$
AB b	$-1+x/b$	$-3/2Fx-1/2qx^2$	0	$3/2Fx-Fx^2/b-1/2qx^3/b$	0	$1-2x/b+x^2/b^2$	$(7/24+0)Fb^2/EJ$	$1/3Xb/EJ$
BA b	x/b	$2Fb-5/2Fx+1/2qx^2$	0	$2Fx-5/2Fx^2/b+1/2qx^3/b$	0	x^2/b^2		
BC b	0	$-2Fb+2Fx$	$-Fb/EJ$	0	0	0	0+0	0
CB b	0	$2Fx$	Fb/EJ	0	0	0		
AD 2b	1	$-5/4Fx+1/2qx^2$	0	$-5/4Fx+1/2Fx^2/b$	0	1	$(-7/6+0)Fb^2/EJ$	$2Xb/EJ$
DA 2b	-1	$1/2Fb+3/4Fx-1/2qx^2$	0	$-1/2Fb-3/4Fx+1/2Fx^2/b$	0	1		
DE b	$1-x/b$	$-1/2Fb+1/2Fx$	0	$-1/2Fb+Fx-1/2Fx^2/b$	0	$1-2x/b+x^2/b^2$	$(-1/6+0)Fb^2/EJ$	$1/3Xb/EJ$
ED b	$-x/b$	$1/2Fx$	0	$-1/2Fx^2/b$	0	x^2/b^2		
EF b	0	0	0	0	0	0	0+0	0
FE b	0	0	0	0	0	0		
FG b	0	0	0	0	0	0	0+0	0
GF b	0	0	0	0	0	0		
GC b	0	0	0	0	0	0	0+0	0
CG b	0	0	0	0	0	0		
HG b	0	0	0	0	0	0	0+0	0
GH b	0	0	0	0	0	0		
HB b	0	$-5/4Fb+5/4Fx$	0	0	0	0	0+0	0
BH b	0	$5/4Fx$	0	0	0	0		
HE b	0	$5/4Fb-7/4Fx+1/2qx^2$	0	0	0	0	0+0	0
EH b	0	$-3/4Fx-1/2qx^2$	0	0	0	0		
AB	molla asta $-W_{1AB}(W_{0AB}+XW_{1AB})/k_{AB}$							$1/4Xb/EJ$
	totali						$-25/24Fb^2/EJ$	$35/12Xb/EJ$
	iperstatica $X=W_{AB}$						$5/14Fb$	

Sviluppi di calcolo iperstatica

$$L_{AB}^{xx} = \int_0^b (1 - 2x/b + x^2/b^2) \cdot 1/EJ \, dx + 1 \cdot 1/4 \cdot b/EJ = \left[x - x^2/b + 1/3 x^3/b^2 \right]_0^b \cdot 1/EJ + 1 \cdot 1/4 \cdot b/EJ$$

$$= (b - b + 1/3 b) \cdot 1/EJ + 1 \cdot 1/4 \cdot b/EJ = 7/12 \cdot b/EJ$$

$$L_{BA}^{xx} = \int_0^b (x^2/b^2) \cdot 1/EJ \, dx + 1 \cdot 1/4 \cdot b/EJ = \left[1/3 x^3/b^2 \right]_0^b \cdot 1/EJ + 1 \cdot 1/4 \cdot b/EJ$$

$$= (1/3 b) \cdot 1/EJ + 1 \cdot 1/4 \cdot b/EJ = 7/12 \cdot b/EJ$$

$$L_{AD}^{xx} = \int_0^{2b} (1) \cdot 1/EJ \, dx = \left[x \right]_0^{2b} \cdot 1/EJ$$

$$= (2b) \cdot 1/EJ = 2 \cdot b/EJ$$

$$L_{DA}^{xx} = \int_0^{2b} (1) \cdot 1/EJ \, dx = \left[x \right]_0^{2b} \cdot 1/EJ$$

$$= (2b) \cdot 1/EJ = 2 \cdot b/EJ$$

$$L_{DE}^{xx} = \int_0^b (1 - 2x/b + x^2/b^2) \cdot 1/EJ \, dx = \left[x - x^2/b + 1/3 x^3/b^2 \right]_0^b \cdot 1/EJ$$

$$= (b - b + 1/3 b) \cdot 1/EJ = 1/3 \cdot b/EJ$$

$$L_{ED}^{xx} = \int_0^b (x^2/b^2) \cdot 1/EJ \, dx = \left[1/3 x^3/b^2 \right]_0^b \cdot 1/EJ$$

$$= (1/3 b) \cdot 1/EJ = 1/3 \cdot b/EJ$$

$$L_{AB}^{xo} = \int_0^b (3/2 x/b - x^2/b^2 - 1/2 x^3/b^3) \cdot Fb \cdot 1/EJ \, dx + 1 \cdot 0 \cdot 1/4 \cdot Fb^2/EJ$$

$$= \left[3/4 x^2/b - 1/3 x^3/b^2 - 1/8 x^4/b^3 \right]_0^b \cdot Fb \cdot 1/EJ + 1 \cdot 0 \cdot 1/4 \cdot Fb^2/EJ$$

$$= (3/4 b - 1/3 b - 1/8 b) \cdot Fb \cdot 1/EJ + 1 \cdot 0 \cdot 1/4 \cdot Fb^2/EJ = 7/24 \cdot Fb^2/EJ$$

$$L_{BA}^{xo} = \int_0^b (2x/b - 5/2 x^2/b^2 + 1/2 x^3/b^3) \cdot Fb \cdot 1/EJ \, dx + 1 \cdot 0 \cdot 1/4 \cdot Fb^2/EJ$$

$$= \left[x^2/b - 5/6 x^3/b^2 + 1/8 x^4/b^3 \right]_0^b \cdot Fb \cdot 1/EJ + 1 \cdot 0 \cdot 1/4 \cdot Fb^2/EJ$$

$$= (b - 5/6 b + 1/8 b) \cdot Fb \cdot 1/EJ + 1 \cdot 0 \cdot 1/4 \cdot Fb^2/EJ = 7/24 \cdot Fb^2/EJ$$

$$L_{AD}^{xo} = \int_0^{2b} (-5/4 x/b + 1/2 x^2/b^2) \cdot Fb \cdot 1/EJ \, dx = \left[-5/8 x^2/b + 1/6 x^3/b^2 \right]_0^{2b} \cdot Fb \cdot 1/EJ$$

$$= (-5/2 b + 4/3 b) \cdot Fb \cdot 1/EJ = -7/6 \cdot Fb^2/EJ$$

$$L_{DA}^{xo} = \int_0^{2b} (-1/2 - 3/4 x/b + 1/2 x^2/b^2) \cdot Fb \cdot 1/EJ \, dx = \left[-1/2 x - 3/8 x^2/b + 1/6 x^3/b^2 \right]_0^{2b} \cdot Fb \cdot 1/EJ$$

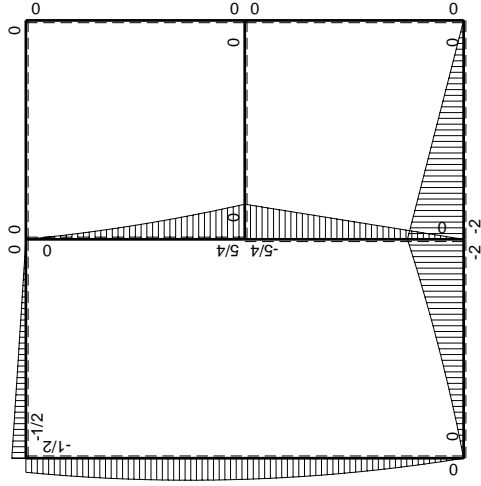
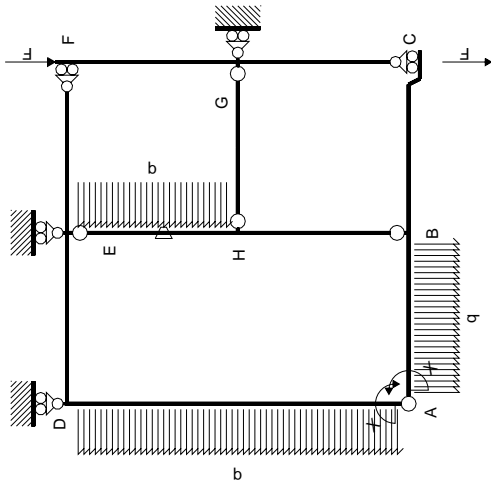
$$= (-b - 3/2 b + 4/3 b) \cdot Fb \cdot 1/EJ = -7/6 \cdot Fb^2/EJ$$

$$L_{DE}^{xo} = \int_0^b (-1/2 + x/b - 1/2 x^2/b^2) \cdot Fb \cdot 1/EJ \, dx = \left[-1/2 x + 1/2 x^2/b - 1/6 x^3/b^2 \right]_0^b \cdot Fb \cdot 1/EJ$$

$$= (-1/2 b + 1/2 b - 1/6 b) \cdot Fb \cdot 1/EJ = -1/6 \cdot Fb^2/EJ$$

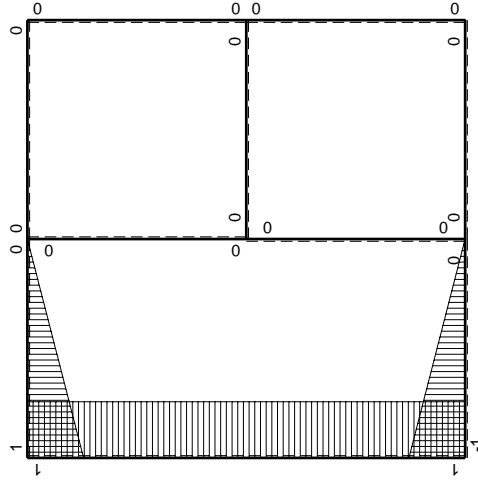
$$L_{ED}^{xo} = \int_0^b (-1/2 x^2/b^2) \cdot Fb \cdot 1/EJ \, dx = \left[-1/6 x^3/b^2 \right]_0^b \cdot Fb \cdot 1/EJ$$

$$= (-1/6 b) \cdot Fb \cdot 1/EJ = -1/6 \cdot Fb^2/EJ$$



Schema di calcolo iperstatico

M_0 flessione da carichi assegnati



M_1 flessione da iperstatica $X=1$

Quadro contributi PLV per iperstatica $X=W_{AB}$

→	$M_x(x)$	$M_o(x)$	θ	$M_x M_o$	$M_x \theta$	$M_x M_x$	$\int M_x(M_o/EJ+\theta)dx$	$\int X M_x M_x/EJ dx$
AB b	$-1+x/b$	$-3/2Fx-1/2qx^2$	0	$3/2Fx-Fx^2/b-1/2qx^3/b$	0	$1-2x/b+x^2/b^2$	$(7/24+0)Fb^2/EJ$	$1/3Xb/EJ$
BA b	x/b	$2Fb-5/2Fx+1/2qx^2$	0	$2Fx-5/2Fx^2/b+1/2qx^3/b$	0	x^2/b^2		
BC b	0	$-2Fb+2Fx$	0	0	0	0	0+0	0
CB b	0	$2Fx$	0	0	0	0		
AD 2b	1	$-5/4Fx+1/2qx^2$	0	$-5/4Fx+1/2Fx^2/b$	0	1	$(-7/6+0)Fb^2/EJ$	$2Xb/EJ$
DA 2b	-1	$1/2Fb+3/4Fx-1/2qx^2$	0	$-1/2Fb-3/4Fx+1/2Fx^2/b$	0	1		
DE b	$1-x/b$	$-1/2Fb+1/2Fx$	0	$-1/2Fb+Fx-1/2Fx^2/b$	0	$1-2x/b+x^2/b^2$	$(-1/6+0)Fb^2/EJ$	$1/3Xb/EJ$
ED b	$-x/b$	$1/2Fx$	0	$-1/2Fx^2/b$	0	x^2/b^2		
EF b	0	0	0	0	0	0	0+0	0
FE b	0	0	0	0	0	0		
FG b	0	0	0	0	0	0	0+0	0
GF b	0	0	0	0	0	0		
GC b	0	0	0	0	0	0	0+0	0
CG b	0	0	0	0	0	0		
HG b	0	0	0	0	0	0	0+0	0
GH b	0	0	0	0	0	0		
HB b	0	$-5/4Fb+5/4Fx$	0	0	0	0	0+0	0
BH b	0	$5/4Fx$	0	0	0	0		
HE b	0	$5/4Fb-7/4Fx+1/2qx^2$	$-Fb/EJ$	0	0	0	0+0	0
EH b	0	$-3/4Fx-1/2qx^2$	Fb/EJ	0	0	0		
AB	molla asta $-W_{1AB}(W_{0AB}+XW_{1AB})/k_{AB}$							$1/4Xb/EJ$
	totali						$-25/24Fb^2/EJ$	$35/12Xb/EJ$
	iperstatica $X=W_{AB}$						$5/14Fb$	

Sviluppi di calcolo iperstatica

$$L_{AB}^{xx} = \int_0^b (1 - 2x/b + x^2/b^2) \cdot 1/EJ \, dx + 1 \cdot 1/4 \cdot b/EJ = \left[x - x^2/b + 1/3 x^3/b^2 \right]_0^b \cdot 1/EJ + 1 \cdot 1/4 \cdot b/EJ$$

$$= (b - b + 1/3 b) \cdot 1/EJ + 1 \cdot 1/4 \cdot b/EJ = 7/12 \cdot b/EJ$$

$$L_{BA}^{xx} = \int_0^b (x^2/b^2) \cdot 1/EJ \, dx + 1 \cdot 1/4 \cdot b/EJ = \left[1/3 x^3/b^2 \right]_0^b \cdot 1/EJ + 1 \cdot 1/4 \cdot b/EJ$$

$$= (1/3 b) \cdot 1/EJ + 1 \cdot 1/4 \cdot b/EJ = 7/12 \cdot b/EJ$$

$$L_{AD}^{xx} = \int_0^{2b} (1) \cdot 1/EJ \, dx = \left[x \right]_0^{2b} \cdot 1/EJ$$

$$= (2b) \cdot 1/EJ = 2 \cdot b/EJ$$

$$L_{DA}^{xx} = \int_0^{2b} (1) \cdot 1/EJ \, dx = \left[x \right]_0^{2b} \cdot 1/EJ$$

$$= (2b) \cdot 1/EJ = 2 \cdot b/EJ$$

$$L_{DE}^{xx} = \int_0^b (1 - 2x/b + x^2/b^2) \cdot 1/EJ \, dx = \left[x - x^2/b + 1/3 x^3/b^2 \right]_0^b \cdot 1/EJ$$

$$= (b - b + 1/3 b) \cdot 1/EJ = 1/3 \cdot b/EJ$$

$$L_{ED}^{xx} = \int_0^b (x^2/b^2) \cdot 1/EJ \, dx = \left[1/3 x^3/b^2 \right]_0^b \cdot 1/EJ$$

$$= (1/3 b) \cdot 1/EJ = 1/3 \cdot b/EJ$$

$$L_{AB}^{xo} = \int_0^b (3/2 x/b - x^2/b^2 - 1/2 x^3/b^3) \cdot Fb \cdot 1/EJ \, dx + 1 \cdot 0 \cdot 1/4 \cdot Fb^2/EJ$$

$$= \left[3/4 x^2/b - 1/3 x^3/b^2 - 1/8 x^4/b^3 \right]_0^b \cdot Fb \cdot 1/EJ + 1 \cdot 0 \cdot 1/4 \cdot Fb^2/EJ$$

$$= (3/4 b - 1/3 b - 1/8 b) \cdot Fb \cdot 1/EJ + 1 \cdot 0 \cdot 1/4 \cdot Fb^2/EJ = 7/24 \cdot Fb^2/EJ$$

$$L_{BA}^{xo} = \int_0^b (2x/b - 5/2 x^2/b^2 + 1/2 x^3/b^3) \cdot Fb \cdot 1/EJ \, dx + 1 \cdot 0 \cdot 1/4 \cdot Fb^2/EJ$$

$$= \left[x^2/b - 5/6 x^3/b^2 + 1/8 x^4/b^3 \right]_0^b \cdot Fb \cdot 1/EJ + 1 \cdot 0 \cdot 1/4 \cdot Fb^2/EJ$$

$$= (b - 5/6 b + 1/8 b) \cdot Fb \cdot 1/EJ + 1 \cdot 0 \cdot 1/4 \cdot Fb^2/EJ = 7/24 \cdot Fb^2/EJ$$

$$L_{AD}^{xo} = \int_0^{2b} (-5/4 x/b + 1/2 x^2/b^2) \cdot Fb \cdot 1/EJ \, dx = \left[-5/8 x^2/b + 1/6 x^3/b^2 \right]_0^{2b} \cdot Fb \cdot 1/EJ$$

$$= (-5/2 b + 4/3 b) \cdot Fb \cdot 1/EJ = -7/6 \cdot Fb^2/EJ$$

$$L_{DA}^{xo} = \int_0^{2b} (-1/2 - 3/4 x/b + 1/2 x^2/b^2) \cdot Fb \cdot 1/EJ \, dx = \left[-1/2 x - 3/8 x^2/b + 1/6 x^3/b^2 \right]_0^{2b} \cdot Fb \cdot 1/EJ$$

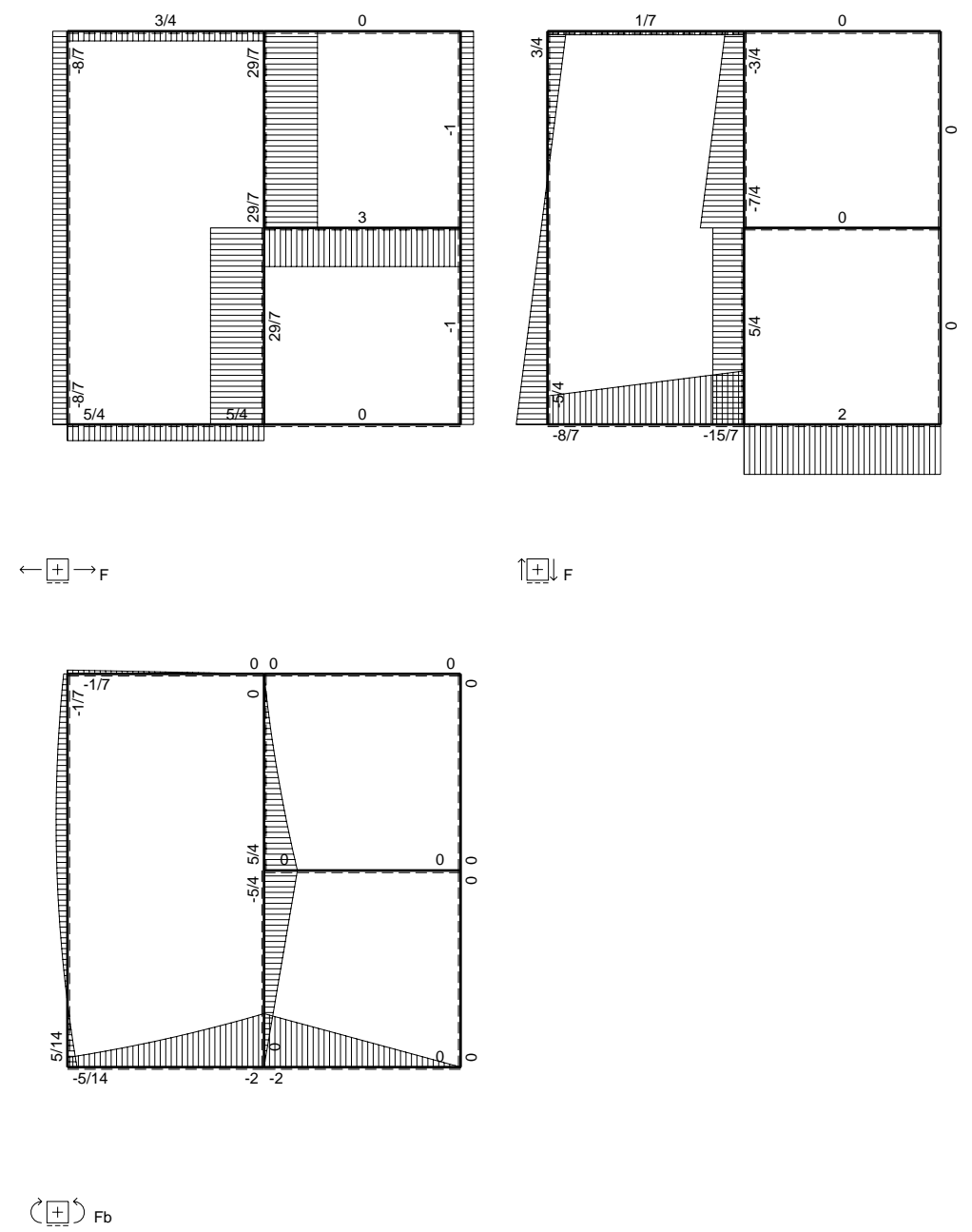
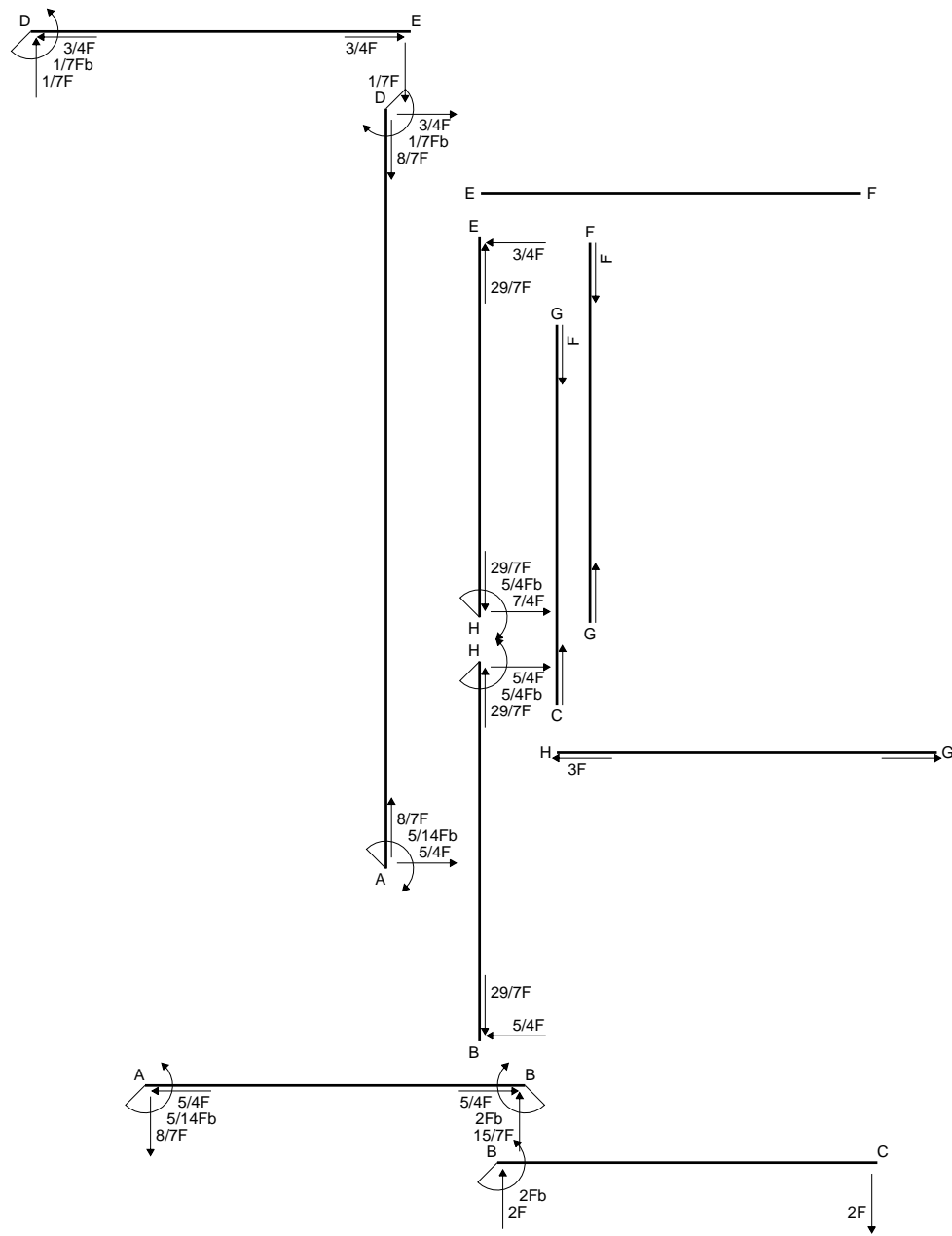
$$= (-b - 3/2 b + 4/3 b) \cdot Fb \cdot 1/EJ = -7/6 \cdot Fb^2/EJ$$

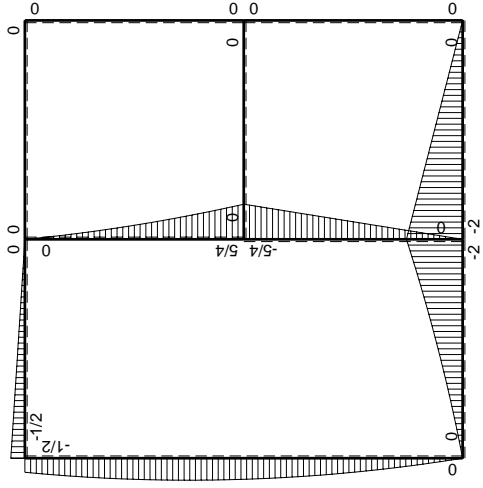
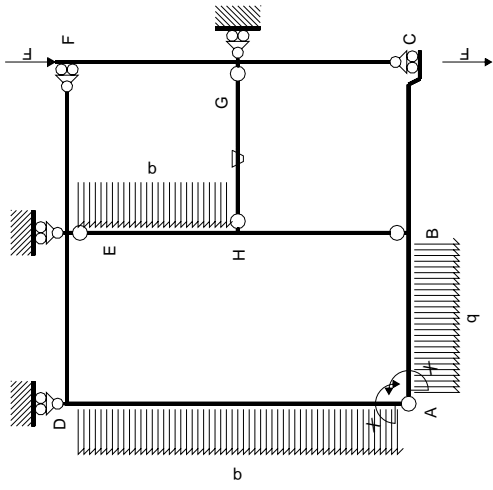
$$L_{DE}^{xo} = \int_0^b (-1/2 + x/b - 1/2 x^2/b^2) \cdot Fb \cdot 1/EJ \, dx = \left[-1/2 x + 1/2 x^2/b - 1/6 x^3/b^2 \right]_0^b \cdot Fb \cdot 1/EJ$$

$$= (-1/2 b + 1/2 b - 1/6 b) \cdot Fb \cdot 1/EJ = -1/6 \cdot Fb^2/EJ$$

$$L_{ED}^{xo} = \int_0^b (-1/2 x^2/b^2) \cdot Fb \cdot 1/EJ \, dx = \left[-1/6 x^3/b^2 \right]_0^b \cdot Fb \cdot 1/EJ$$

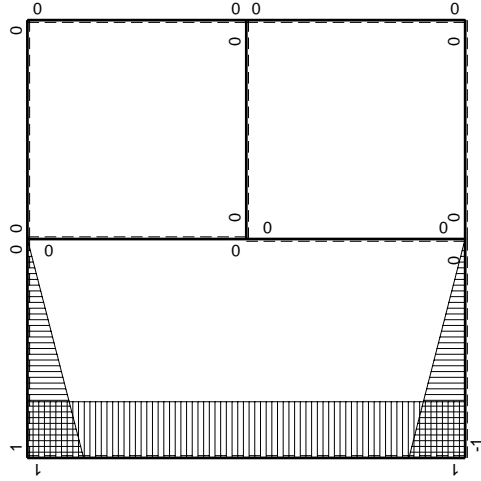
$$= (-1/6 b) \cdot Fb \cdot 1/EJ = -1/6 \cdot Fb^2/EJ$$





Schema di calcolo iperstatico

M_0 flessione da carichi assegnati



M_1 flessione da iperstatica X=1

Quadro contributi PLV per iperstatica $X=W_{AB}$

→	$M_x(x)$	$M_o(x)$	θ	$M_x M_o$	$M_x \theta$	$M_x M_x$	$\int M_x(M_o/EJ+\theta)dx$	$\int X M_x M_x/EJ dx$	
AB b	$-1+x/b$	$-3/2Fx-1/2qx^2$	0	$3/2Fx-Fx^2/b-1/2qx^3/b$	0	$1-2x/b+x^2/b^2$	$(7/24+0)Fb^2/EJ$	$1/3Xb/EJ$	
BA b	x/b	$2Fb-5/2Fx+1/2qx^2$	0	$2Fx-5/2Fx^2/b+1/2qx^3/b$	0	x^2/b^2			
BC b	0	$-2Fb+2Fx$	0	0	0	0	0+0	0	
CB b	0	$2Fx$	0	0	0	0			
AD 2b	1	$-5/4Fx+1/2qx^2$	0	$-5/4Fx+1/2Fx^2/b$	0	1	$(-7/6+0)Fb^2/EJ$	$2Xb/EJ$	
DA 2b	-1	$1/2Fb+3/4Fx-1/2qx^2$	0	$-1/2Fb-3/4Fx+1/2Fx^2/b$	0	1			
DE b	$1-x/b$	$-1/2Fb+1/2Fx$	0	$-1/2Fb+Fx-1/2Fx^2/b$	0	$1-2x/b+x^2/b^2$	$(-1/6+0)Fb^2/EJ$	$1/3Xb/EJ$	
ED b	$-x/b$	$1/2Fx$	0	$-1/2Fx^2/b$	0	x^2/b^2			
EF b	0	0	0	0	0	0	0+0	0	
FE b	0	0	0	0	0	0			
FG b	0	0	0	0	0	0	0+0	0	
GF b	0	0	0	0	0	0			
GC b	0	0	0	0	0	0	0+0	0	
CG b	0	0	0	0	0	0			
HG b	0	0	$-Fb/EJ$	0	0	0	0+0	0	
GH b	0	0	Fb/EJ	0	0	0			
HB b	0	$-5/4Fb+5/4Fx$	0	0	0	0	0+0	0	
BH b	0	$5/4Fx$	0	0	0	0			
HE b	0	$5/4Fb-7/4Fx+1/2qx^2$	0	0	0	0	0+0	0	
EH b	0	$-3/4Fx-1/2qx^2$	0	0	0	0			
AB	molla asta $-W_{1AB}(W_{0AB}+XW_{1AB})/k_{AB}$								$1/4Xb/EJ$
	totali							$-25/24Fb^2/EJ$	$35/12Xb/EJ$
	iperstatica $X=W_{AB}$							$5/14Fb$	

Sviluppi di calcolo iperstatica

$$L_{AB}^{xx} = \int_0^b (1 - 2x/b + x^2/b^2) \cdot 1/EJ \, dx + 1 \cdot 1/4 \cdot b/EJ = \left[x - x^2/b + 1/3 x^3/b^2 \right]_0^b \cdot 1/EJ + 1 \cdot 1/4 \cdot b/EJ$$

$$= (b - b + 1/3 b) \cdot 1/EJ + 1 \cdot 1/4 \cdot b/EJ = 7/12 \cdot b/EJ$$

$$L_{BA}^{xx} = \int_0^b (x^2/b^2) \cdot 1/EJ \, dx + 1 \cdot 1/4 \cdot b/EJ = \left[1/3 x^3/b^2 \right]_0^b \cdot 1/EJ + 1 \cdot 1/4 \cdot b/EJ$$

$$= (1/3 b) \cdot 1/EJ + 1 \cdot 1/4 \cdot b/EJ = 7/12 \cdot b/EJ$$

$$L_{AD}^{xx} = \int_0^{2b} (1) \cdot 1/EJ \, dx = \left[x \right]_0^{2b} \cdot 1/EJ$$

$$= (2b) \cdot 1/EJ = 2 \cdot b/EJ$$

$$L_{DA}^{xx} = \int_0^{2b} (1) \cdot 1/EJ \, dx = \left[x \right]_0^{2b} \cdot 1/EJ$$

$$= (2b) \cdot 1/EJ = 2 \cdot b/EJ$$

$$L_{DE}^{xx} = \int_0^b (1 - 2x/b + x^2/b^2) \cdot 1/EJ \, dx = \left[x - x^2/b + 1/3 x^3/b^2 \right]_0^b \cdot 1/EJ$$

$$= (b - b + 1/3 b) \cdot 1/EJ = 1/3 \cdot b/EJ$$

$$L_{ED}^{xx} = \int_0^b (x^2/b^2) \cdot 1/EJ \, dx = \left[1/3 x^3/b^2 \right]_0^b \cdot 1/EJ$$

$$= (1/3 b) \cdot 1/EJ = 1/3 \cdot b/EJ$$

$$L_{AB}^{xo} = \int_0^b (3/2 x/b - x^2/b^2 - 1/2 x^3/b^3) \cdot Fb \cdot 1/EJ \, dx + 1 \cdot 0 \cdot 1/4 \cdot Fb^2/EJ$$

$$= \left[3/4 x^2/b - 1/3 x^3/b^2 - 1/8 x^4/b^3 \right]_0^b \cdot Fb \cdot 1/EJ + 1 \cdot 0 \cdot 1/4 \cdot Fb^2/EJ$$

$$= (3/4 b - 1/3 b - 1/8 b) \cdot Fb \cdot 1/EJ + 1 \cdot 0 \cdot 1/4 \cdot Fb^2/EJ = 7/24 \cdot Fb^2/EJ$$

$$L_{BA}^{xo} = \int_0^b (2x/b - 5/2 x^2/b^2 + 1/2 x^3/b^3) \cdot Fb \cdot 1/EJ \, dx + 1 \cdot 0 \cdot 1/4 \cdot Fb^2/EJ$$

$$= \left[x^2/b - 5/6 x^3/b^2 + 1/8 x^4/b^3 \right]_0^b \cdot Fb \cdot 1/EJ + 1 \cdot 0 \cdot 1/4 \cdot Fb^2/EJ$$

$$= (b - 5/6 b + 1/8 b) \cdot Fb \cdot 1/EJ + 1 \cdot 0 \cdot 1/4 \cdot Fb^2/EJ = 7/24 \cdot Fb^2/EJ$$

$$L_{AD}^{xo} = \int_0^{2b} (-5/4 x/b + 1/2 x^2/b^2) \cdot Fb \cdot 1/EJ \, dx = \left[-5/8 x^2/b + 1/6 x^3/b^2 \right]_0^{2b} \cdot Fb \cdot 1/EJ$$

$$= (-5/2 b + 4/3 b) \cdot Fb \cdot 1/EJ = -7/6 \cdot Fb^2/EJ$$

$$L_{DA}^{xo} = \int_0^{2b} (-1/2 - 3/4 x/b + 1/2 x^2/b^2) \cdot Fb \cdot 1/EJ \, dx = \left[-1/2 x - 3/8 x^2/b + 1/6 x^3/b^2 \right]_0^{2b} \cdot Fb \cdot 1/EJ$$

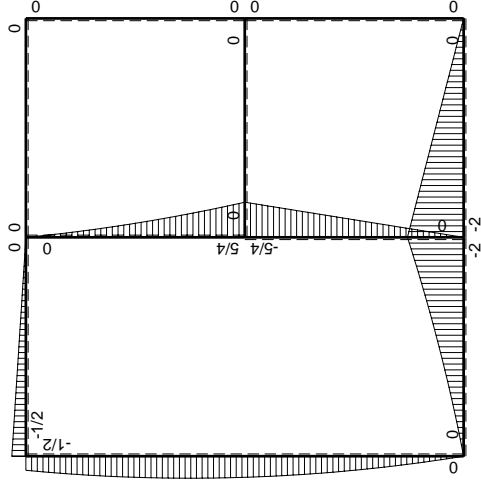
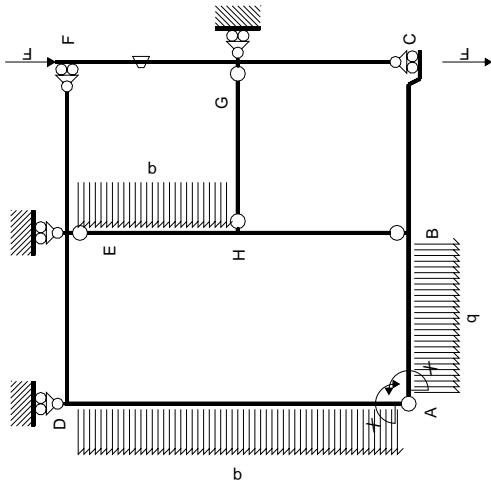
$$= (-b - 3/2 b + 4/3 b) \cdot Fb \cdot 1/EJ = -7/6 \cdot Fb^2/EJ$$

$$L_{DE}^{xo} = \int_0^b (-1/2 + x/b - 1/2 x^2/b^2) \cdot Fb \cdot 1/EJ \, dx = \left[-1/2 x + 1/2 x^2/b - 1/6 x^3/b^2 \right]_0^b \cdot Fb \cdot 1/EJ$$

$$= (-1/2 b + 1/2 b - 1/6 b) \cdot Fb \cdot 1/EJ = -1/6 \cdot Fb^2/EJ$$

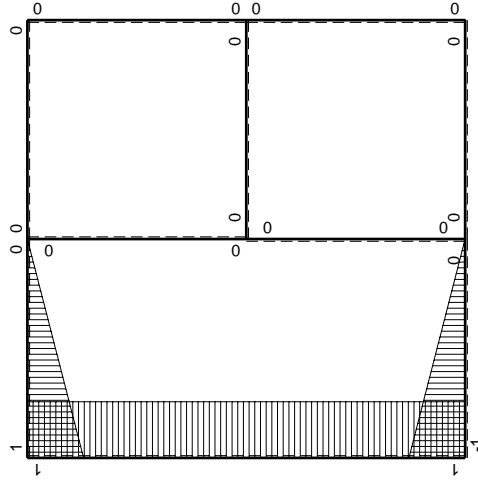
$$L_{ED}^{xo} = \int_0^b (-1/2 x^2/b^2) \cdot Fb \cdot 1/EJ \, dx = \left[-1/6 x^3/b^2 \right]_0^b \cdot Fb \cdot 1/EJ$$

$$= (-1/6 b) \cdot Fb \cdot 1/EJ = -1/6 \cdot Fb^2/EJ$$



Schema di calcolo iperstatico

M_0 flessione da carichi assegnati



M_1 flessione da iperstatica $X=1$

Quadro contributi PLV per iperstatica $X=W_{AB}$

→	$M_x(x)$	$M_o(x)$	θ	$M_x M_o$	$M_x \theta$	$M_x M_x$	$\int M_x(M_o/EJ+\theta)dx$	$\int X M_x M_x/EJ dx$
AB b	$-1+x/b$	$-3/2Fx-1/2qx^2$	0	$3/2Fx-Fx^2/b-1/2qx^3/b$	0	$1-2x/b+x^2/b^2$	$(7/24+0)Fb^2/EJ$	$1/3Xb/EJ$
BA b	x/b	$2Fb-5/2Fx+1/2qx^2$	0	$2Fx-5/2Fx^2/b+1/2qx^3/b$	0	x^2/b^2		
BC b	0	$-2Fb+2Fx$	0	0	0	0	0+0	0
CB b	0	$2Fx$	0	0	0	0		
AD 2b	1	$-5/4Fx+1/2qx^2$	0	$-5/4Fx+1/2Fx^2/b$	0	1	$(-7/6+0)Fb^2/EJ$	$2Xb/EJ$
DA 2b	-1	$1/2Fb+3/4Fx-1/2qx^2$	0	$-1/2Fb-3/4Fx+1/2Fx^2/b$	0	1		
DE b	$1-x/b$	$-1/2Fb+1/2Fx$	0	$-1/2Fb+Fx-1/2Fx^2/b$	0	$1-2x/b+x^2/b^2$	$(-1/6+0)Fb^2/EJ$	$1/3Xb/EJ$
ED b	$-x/b$	$1/2Fx$	0	$-1/2Fx^2/b$	0	x^2/b^2		
EF b	0	0	0	0	0	0	0+0	0
FE b	0	0	0	0	0	0		
FG b	0	0	$-Fb/EJ$	0	0	0	0+0	0
GF b	0	0	Fb/EJ	0	0	0		
GC b	0	0	0	0	0	0	0+0	0
CG b	0	0	0	0	0	0		
HG b	0	0	0	0	0	0	0+0	0
GH b	0	0	0	0	0	0		
HB b	0	$-5/4Fb+5/4Fx$	0	0	0	0	0+0	0
BH b	0	$5/4Fx$	0	0	0	0		
HE b	0	$5/4Fb-7/4Fx+1/2qx^2$	0	0	0	0	0+0	0
EH b	0	$-3/4Fx-1/2qx^2$	0	0	0	0		
AB	molla asta $-W_{1AB}(W_{0AB}+XW_{1AB})/k_{AB}$							$1/4Xb/EJ$
	totali						$-25/24Fb^2/EJ$	$35/12Xb/EJ$
	iperstatica $X=W_{AB}$						$5/14Fb$	

Sviluppi di calcolo iperstatica

$$L_{AB}^{xx} = \int_0^b (1 - 2x/b + x^2/b^2) \cdot 1/EJ \, dx + 1 \cdot 1/4 \cdot b/EJ = \left[x - x^2/b + 1/3 x^3/b^2 \right]_0^b \cdot 1/EJ + 1 \cdot 1/4 \cdot b/EJ$$

$$= (b - b + 1/3 b) \cdot 1/EJ + 1 \cdot 1/4 \cdot b/EJ = 7/12 \cdot b/EJ$$

$$L_{BA}^{xx} = \int_0^b (x^2/b^2) \cdot 1/EJ \, dx + 1 \cdot 1/4 \cdot b/EJ = \left[1/3 x^3/b^2 \right]_0^b \cdot 1/EJ + 1 \cdot 1/4 \cdot b/EJ$$

$$= (1/3 b) \cdot 1/EJ + 1 \cdot 1/4 \cdot b/EJ = 7/12 \cdot b/EJ$$

$$L_{AD}^{xx} = \int_0^{2b} (1) \cdot 1/EJ \, dx = \left[x \right]_0^{2b} \cdot 1/EJ$$

$$= (2b) \cdot 1/EJ = 2 \cdot b/EJ$$

$$L_{DA}^{xx} = \int_0^{2b} (1) \cdot 1/EJ \, dx = \left[x \right]_0^{2b} \cdot 1/EJ$$

$$= (2b) \cdot 1/EJ = 2 \cdot b/EJ$$

$$L_{DE}^{xx} = \int_0^b (1 - 2x/b + x^2/b^2) \cdot 1/EJ \, dx = \left[x - x^2/b + 1/3 x^3/b^2 \right]_0^b \cdot 1/EJ$$

$$= (b - b + 1/3 b) \cdot 1/EJ = 1/3 \cdot b/EJ$$

$$L_{ED}^{xx} = \int_0^b (x^2/b^2) \cdot 1/EJ \, dx = \left[1/3 x^3/b^2 \right]_0^b \cdot 1/EJ$$

$$= (1/3 b) \cdot 1/EJ = 1/3 \cdot b/EJ$$

$$L_{AB}^{xo} = \int_0^b (3/2 x/b - x^2/b^2 - 1/2 x^3/b^3) \cdot Fb \cdot 1/EJ \, dx + 1 \cdot 0 \cdot 1/4 \cdot Fb^2/EJ$$

$$= \left[3/4 x^2/b - 1/3 x^3/b^2 - 1/8 x^4/b^3 \right]_0^b \cdot Fb \cdot 1/EJ + 1 \cdot 0 \cdot 1/4 \cdot Fb^2/EJ$$

$$= (3/4 b - 1/3 b - 1/8 b) \cdot Fb \cdot 1/EJ + 1 \cdot 0 \cdot 1/4 \cdot Fb^2/EJ = 7/24 \cdot Fb^2/EJ$$

$$L_{BA}^{xo} = \int_0^b (2x/b - 5/2 x^2/b^2 + 1/2 x^3/b^3) \cdot Fb \cdot 1/EJ \, dx + 1 \cdot 0 \cdot 1/4 \cdot Fb^2/EJ$$

$$= \left[x^2/b - 5/6 x^3/b^2 + 1/8 x^4/b^3 \right]_0^b \cdot Fb \cdot 1/EJ + 1 \cdot 0 \cdot 1/4 \cdot Fb^2/EJ$$

$$= (b - 5/6 b + 1/8 b) \cdot Fb \cdot 1/EJ + 1 \cdot 0 \cdot 1/4 \cdot Fb^2/EJ = 7/24 \cdot Fb^2/EJ$$

$$L_{AD}^{xo} = \int_0^{2b} (-5/4 x/b + 1/2 x^2/b^2) \cdot Fb \cdot 1/EJ \, dx = \left[-5/8 x^2/b + 1/6 x^3/b^2 \right]_0^{2b} \cdot Fb \cdot 1/EJ$$

$$= (-5/2 b + 4/3 b) \cdot Fb \cdot 1/EJ = -7/6 \cdot Fb^2/EJ$$

$$L_{DA}^{xo} = \int_0^{2b} (-1/2 - 3/4 x/b + 1/2 x^2/b^2) \cdot Fb \cdot 1/EJ \, dx = \left[-1/2 x - 3/8 x^2/b + 1/6 x^3/b^2 \right]_0^{2b} \cdot Fb \cdot 1/EJ$$

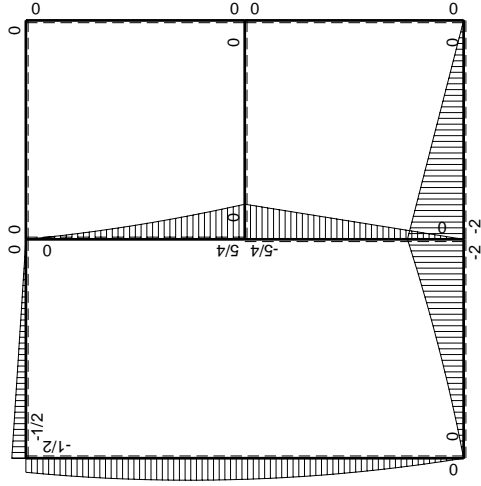
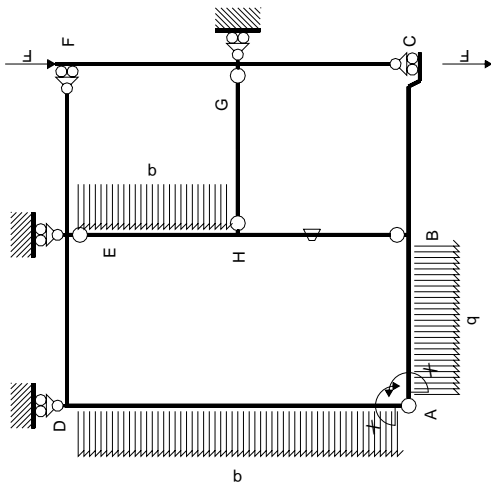
$$= (-b - 3/2 b + 4/3 b) \cdot Fb \cdot 1/EJ = -7/6 \cdot Fb^2/EJ$$

$$L_{DE}^{xo} = \int_0^b (-1/2 + x/b - 1/2 x^2/b^2) \cdot Fb \cdot 1/EJ \, dx = \left[-1/2 x + 1/2 x^2/b - 1/6 x^3/b^2 \right]_0^b \cdot Fb \cdot 1/EJ$$

$$= (-1/2 b + 1/2 b - 1/6 b) \cdot Fb \cdot 1/EJ = -1/6 \cdot Fb^2/EJ$$

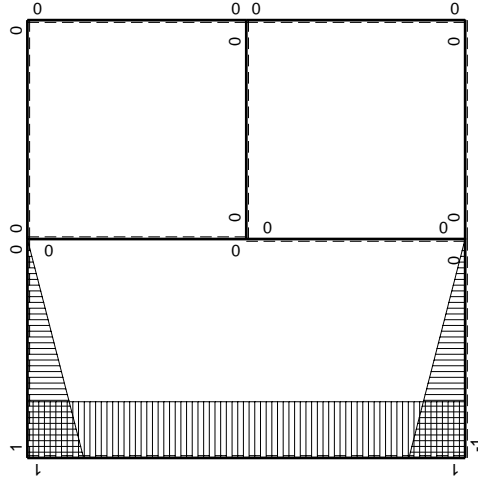
$$L_{ED}^{xo} = \int_0^b (-1/2 x^2/b^2) \cdot Fb \cdot 1/EJ \, dx = \left[-1/6 x^3/b^2 \right]_0^b \cdot Fb \cdot 1/EJ$$

$$= (-1/6 b) \cdot Fb \cdot 1/EJ = -1/6 \cdot Fb^2/EJ$$



Schema di calcolo iperstatico

M_0 flessione da carichi assegnati



M_1 flessione da iperstatica $X=1$

Quadro contributi PLV per iperstatica $X=W_{AB}$

→	$M_x(x)$	$M_o(x)$	θ	$M_x M_o$	$M_x \theta$	$M_x M_x$	$\int M_x(M_o/EJ+\theta)dx$	$\int X M_x M_x/EJdx$	
AB b	$-1+x/b$	$-3/2Fx-1/2qx^2$	0	$3/2Fx-Fx^2/b-1/2qx^3/b$	0	$1-2x/b+x^2/b^2$	$(7/24+0)Fb^2/EJ$	$1/3Xb/EJ$	
BA b	x/b	$2Fb-5/2Fx+1/2qx^2$	0	$2Fx-5/2Fx^2/b+1/2qx^3/b$	0	x^2/b^2			
BC b	0	$-2Fb+2Fx$	0	0	0	0	0+0	0	
CB b	0	$2Fx$	0	0	0	0			
AD 2b	1	$-5/4Fx+1/2qx^2$	0	$-5/4Fx+1/2Fx^2/b$	0	1	$(-7/6+0)Fb^2/EJ$	$2Xb/EJ$	
DA 2b	-1	$1/2Fb+3/4Fx-1/2qx^2$	0	$-1/2Fb-3/4Fx+1/2Fx^2/b$	0	1			
DE b	$1-x/b$	$-1/2Fb+1/2Fx$	0	$-1/2Fb+Fx-1/2Fx^2/b$	0	$1-2x/b+x^2/b^2$	$(-1/6+0)Fb^2/EJ$	$1/3Xb/EJ$	
ED b	$-x/b$	$1/2Fx$	0	$-1/2Fx^2/b$	0	x^2/b^2			
EF b	0	0	0	0	0	0	0+0	0	
FE b	0	0	0	0	0	0			
FG b	0	0	0	0	0	0	0+0	0	
GF b	0	0	0	0	0	0			
GC b	0	0	0	0	0	0	0+0	0	
CG b	0	0	0	0	0	0			
HG b	0	0	0	0	0	0	0+0	0	
GH b	0	0	0	0	0	0			
HB b	0	$-5/4Fb+5/4Fx$	$-Fb/EJ$	0	0	0	0+0	0	
BH b	0	$5/4Fx$	Fb/EJ	0	0	0			
HE b	0	$5/4Fb-7/4Fx+1/2qx^2$	0	0	0	0	0+0	0	
EH b	0	$-3/4Fx-1/2qx^2$	0	0	0	0			
AB	molla asta $-W_{1AB}(W_{0AB}+XW_{1AB})/k_{AB}$								$1/4Xb/EJ$
	totali							$-25/24Fb^2/EJ$	$35/12Xb/EJ$
	iperstatica $X=W_{AB}$							$5/14Fb$	

Sviluppi di calcolo iperstatica

$$L_{AB}^{xx} = \int_0^b (1 - 2x/b + x^2/b^2) \cdot 1/EJ \, dx + 1 \cdot 1/4 \cdot b/EJ = \left[x - x^2/b + 1/3 x^3/b^2 \right]_0^b \cdot 1/EJ + 1 \cdot 1/4 \cdot b/EJ$$

$$= (b - b + 1/3 b) \cdot 1/EJ + 1 \cdot 1/4 \cdot b/EJ = 7/12 \cdot b/EJ$$

$$L_{BA}^{xx} = \int_0^b (x^2/b^2) \cdot 1/EJ \, dx + 1 \cdot 1/4 \cdot b/EJ = \left[1/3 x^3/b^2 \right]_0^b \cdot 1/EJ + 1 \cdot 1/4 \cdot b/EJ$$

$$= (1/3 b) \cdot 1/EJ + 1 \cdot 1/4 \cdot b/EJ = 7/12 \cdot b/EJ$$

$$L_{AD}^{xx} = \int_0^{2b} (1) \cdot 1/EJ \, dx = \left[x \right]_0^{2b} \cdot 1/EJ$$

$$= (2b) \cdot 1/EJ = 2 \cdot b/EJ$$

$$L_{DA}^{xx} = \int_0^{2b} (1) \cdot 1/EJ \, dx = \left[x \right]_0^{2b} \cdot 1/EJ$$

$$= (2b) \cdot 1/EJ = 2 \cdot b/EJ$$

$$L_{DE}^{xx} = \int_0^b (1 - 2x/b + x^2/b^2) \cdot 1/EJ \, dx = \left[x - x^2/b + 1/3 x^3/b^2 \right]_0^b \cdot 1/EJ$$

$$= (b - b + 1/3 b) \cdot 1/EJ = 1/3 \cdot b/EJ$$

$$L_{ED}^{xx} = \int_0^b (x^2/b^2) \cdot 1/EJ \, dx = \left[1/3 x^3/b^2 \right]_0^b \cdot 1/EJ$$

$$= (1/3 b) \cdot 1/EJ = 1/3 \cdot b/EJ$$

$$L_{AB}^{xo} = \int_0^b (3/2 x/b - x^2/b^2 - 1/2 x^3/b^3) \cdot Fb \cdot 1/EJ \, dx + 1 \cdot 0 \cdot 1/4 \cdot Fb^2/EJ$$

$$= \left[3/4 x^2/b - 1/3 x^3/b^2 - 1/8 x^4/b^3 \right]_0^b \cdot Fb \cdot 1/EJ + 1 \cdot 0 \cdot 1/4 \cdot Fb^2/EJ$$

$$= (3/4 b - 1/3 b - 1/8 b) \cdot Fb \cdot 1/EJ + 1 \cdot 0 \cdot 1/4 \cdot Fb^2/EJ = 7/24 \cdot Fb^2/EJ$$

$$L_{BA}^{xo} = \int_0^b (2x/b - 5/2 x^2/b^2 + 1/2 x^3/b^3) \cdot Fb \cdot 1/EJ \, dx + 1 \cdot 0 \cdot 1/4 \cdot Fb^2/EJ$$

$$= \left[x^2/b - 5/6 x^3/b^2 + 1/8 x^4/b^3 \right]_0^b \cdot Fb \cdot 1/EJ + 1 \cdot 0 \cdot 1/4 \cdot Fb^2/EJ$$

$$= (b - 5/6 b + 1/8 b) \cdot Fb \cdot 1/EJ + 1 \cdot 0 \cdot 1/4 \cdot Fb^2/EJ = 7/24 \cdot Fb^2/EJ$$

$$L_{AD}^{xo} = \int_0^{2b} (-5/4 x/b + 1/2 x^2/b^2) \cdot Fb \cdot 1/EJ \, dx = \left[-5/8 x^2/b + 1/6 x^3/b^2 \right]_0^{2b} \cdot Fb \cdot 1/EJ$$

$$= (-5/2 b + 4/3 b) \cdot Fb \cdot 1/EJ = -7/6 \cdot Fb^2/EJ$$

$$L_{DA}^{xo} = \int_0^{2b} (-1/2 - 3/4 x/b + 1/2 x^2/b^2) \cdot Fb \cdot 1/EJ \, dx = \left[-1/2 x - 3/8 x^2/b + 1/6 x^3/b^2 \right]_0^{2b} \cdot Fb \cdot 1/EJ$$

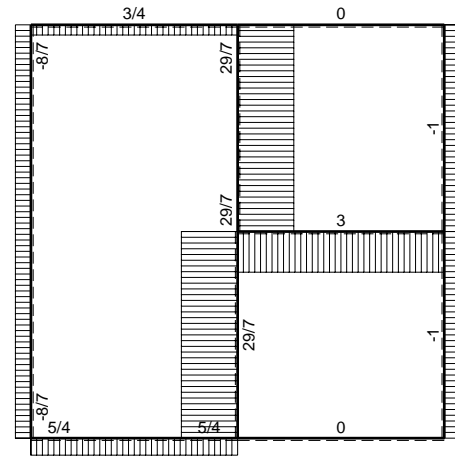
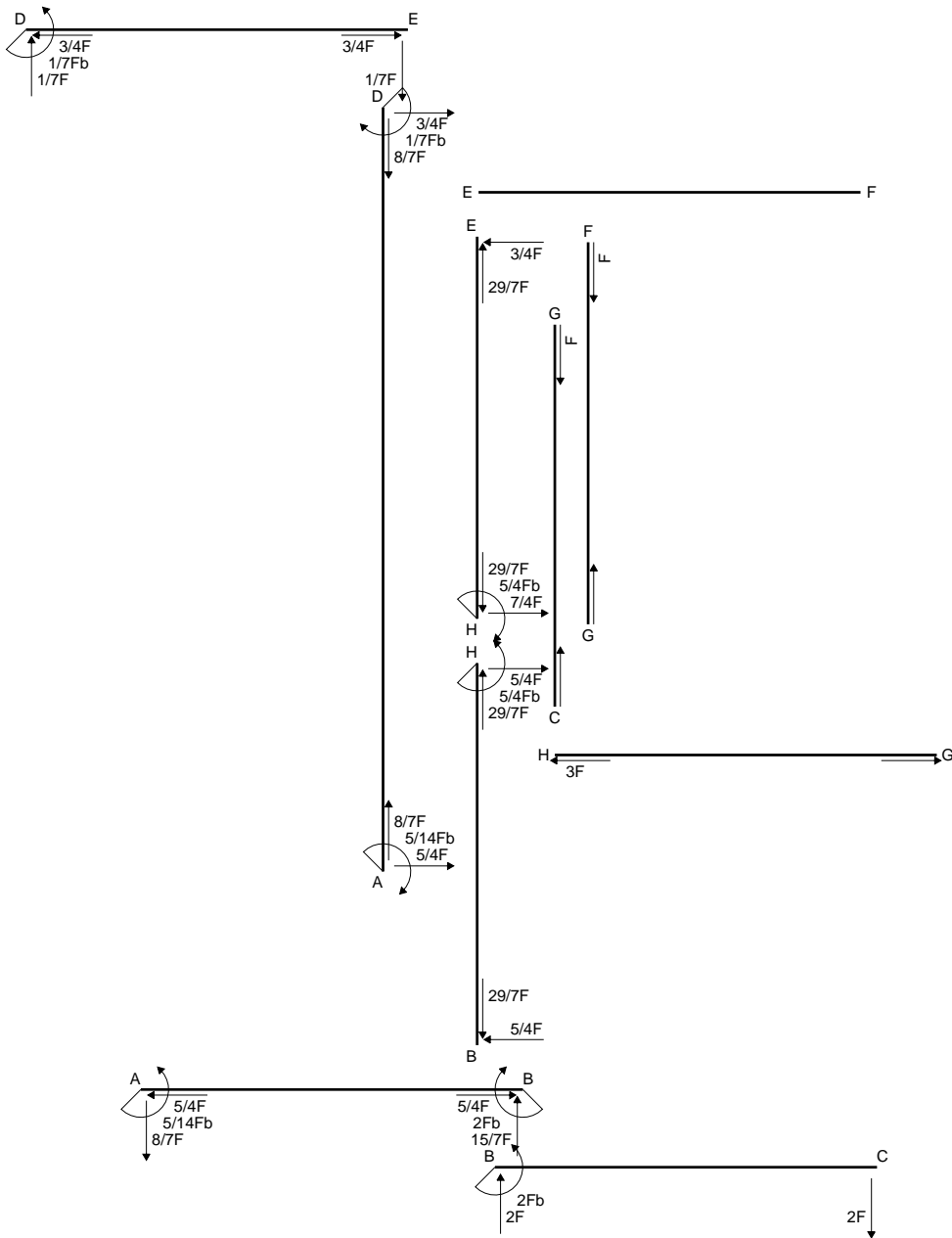
$$= (-b - 3/2 b + 4/3 b) \cdot Fb \cdot 1/EJ = -7/6 \cdot Fb^2/EJ$$

$$L_{DE}^{xo} = \int_0^b (-1/2 + x/b - 1/2 x^2/b^2) \cdot Fb \cdot 1/EJ \, dx = \left[-1/2 x + 1/2 x^2/b - 1/6 x^3/b^2 \right]_0^b \cdot Fb \cdot 1/EJ$$

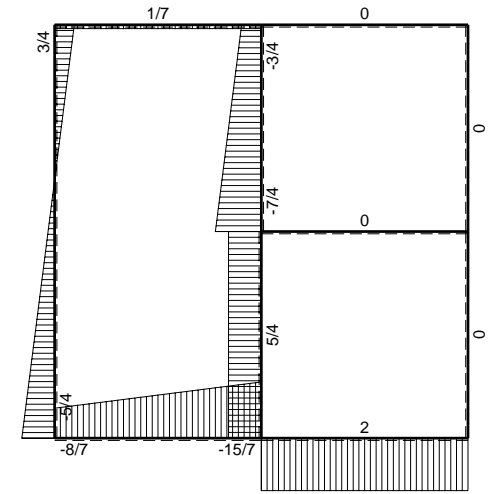
$$= (-1/2 b + 1/2 b - 1/6 b) \cdot Fb \cdot 1/EJ = -1/6 \cdot Fb^2/EJ$$

$$L_{ED}^{xo} = \int_0^b (-1/2 x^2/b^2) \cdot Fb \cdot 1/EJ \, dx = \left[-1/6 x^3/b^2 \right]_0^b \cdot Fb \cdot 1/EJ$$

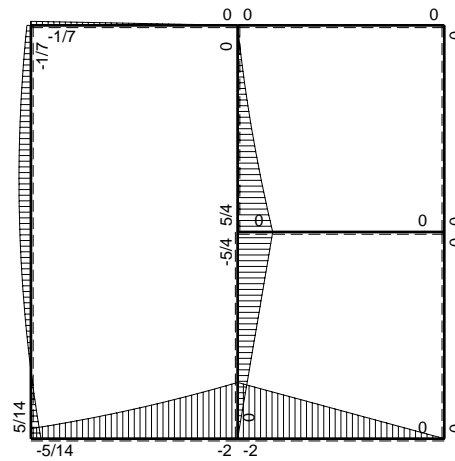
$$= (-1/6 b) \cdot Fb \cdot 1/EJ = -1/6 \cdot Fb^2/EJ$$



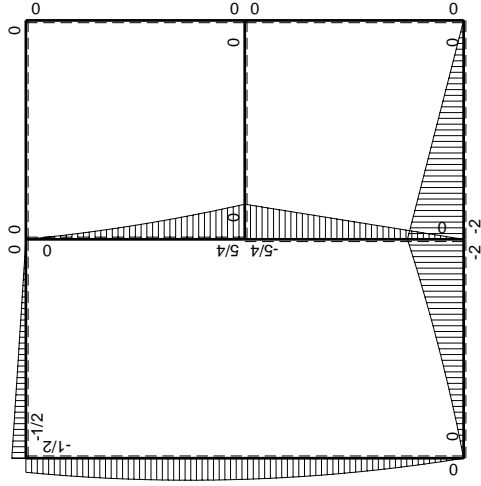
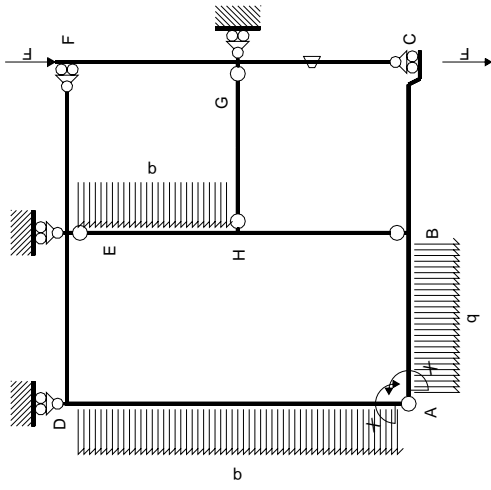
← ⊕ → F



↑ ⊕ ↓ F

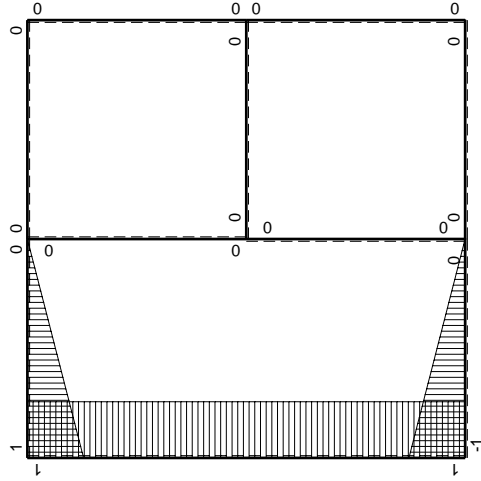


⊕ ⊖ Fb



Schema di calcolo iperstatico

M_0 flessione da carichi assegnati



M_1 flessione da iperstatica $X=1$

Quadro contributi PLV per iperstatica $X=W_{AB}$

→	$M_x(x)$	$M_o(x)$	θ	$M_x M_o$	$M_x \theta$	$M_x M_x$	$\int M_x(M_o/EJ+\theta)dx$	$\int X M_x M_x/EJ dx$
AB b	$-1+x/b$	$-3/2Fx-1/2qx^2$	0	$3/2Fx-Fx^2/b-1/2qx^3/b$	0	$1-2x/b+x^2/b^2$	$(7/24+0)Fb^2/EJ$	$1/3Xb/EJ$
BA b	x/b	$2Fb-5/2Fx+1/2qx^2$	0	$2Fx-5/2Fx^2/b+1/2qx^3/b$	0	x^2/b^2		
BC b	0	$-2Fb+2Fx$	0	0	0	0	0+0	0
CB b	0	$2Fx$	0	0	0	0		
AD 2b	1	$-5/4Fx+1/2qx^2$	0	$-5/4Fx+1/2Fx^2/b$	0	1	$(-7/6+0)Fb^2/EJ$	$2Xb/EJ$
DA 2b	-1	$1/2Fb+3/4Fx-1/2qx^2$	0	$-1/2Fb-3/4Fx+1/2Fx^2/b$	0	1		
DE b	$1-x/b$	$-1/2Fb+1/2Fx$	0	$-1/2Fb+Fx-1/2Fx^2/b$	0	$1-2x/b+x^2/b^2$	$(-1/6+0)Fb^2/EJ$	$1/3Xb/EJ$
ED b	$-x/b$	$1/2Fx$	0	$-1/2Fx^2/b$	0	x^2/b^2		
EF b	0	0	0	0	0	0	0+0	0
FE b	0	0	0	0	0	0		
FG b	0	0	0	0	0	0	0+0	0
GF b	0	0	0	0	0	0		
GC b	0	0	$-Fb/EJ$	0	0	0	0+0	0
CG b	0	0	Fb/EJ	0	0	0		
HG b	0	0	0	0	0	0	0+0	0
GH b	0	0	0	0	0	0		
HB b	0	$-5/4Fb+5/4Fx$	0	0	0	0	0+0	0
BH b	0	$5/4Fx$	0	0	0	0		
HE b	0	$5/4Fb-7/4Fx+1/2qx^2$	0	0	0	0	0+0	0
EH b	0	$-3/4Fx-1/2qx^2$	0	0	0	0		
AB	molla asta $-W_{1AB}(W_{0AB}+XW_{1AB})/k_{AB}$							$1/4Xb/EJ$
	totali						$-25/24Fb^2/EJ$	$35/12Xb/EJ$
	iperstatica $X=W_{AB}$						$5/14Fb$	

Sviluppi di calcolo iperstatica

$$L_{AB}^{xx} = \int_0^b (1 - 2x/b + x^2/b^2) \cdot 1/EJ \, dx + 1 \cdot 1/4 \cdot b/EJ = \left[x - x^2/b + 1/3 x^3/b^2 \right]_0^b \cdot 1/EJ + 1 \cdot 1/4 \cdot b/EJ$$

$$= (b - b + 1/3 b) \cdot 1/EJ + 1 \cdot 1/4 \cdot b/EJ = 7/12 \cdot b/EJ$$

$$L_{BA}^{xx} = \int_0^b (x^2/b^2) \cdot 1/EJ \, dx + 1 \cdot 1/4 \cdot b/EJ = \left[1/3 x^3/b^2 \right]_0^b \cdot 1/EJ + 1 \cdot 1/4 \cdot b/EJ$$

$$= (1/3 b) \cdot 1/EJ + 1 \cdot 1/4 \cdot b/EJ = 7/12 \cdot b/EJ$$

$$L_{AD}^{xx} = \int_0^{2b} (1) \cdot 1/EJ \, dx = \left[x \right]_0^{2b} \cdot 1/EJ$$

$$= (2b) \cdot 1/EJ = 2 \cdot b/EJ$$

$$L_{DA}^{xx} = \int_0^{2b} (1) \cdot 1/EJ \, dx = \left[x \right]_0^{2b} \cdot 1/EJ$$

$$= (2b) \cdot 1/EJ = 2 \cdot b/EJ$$

$$L_{DE}^{xx} = \int_0^b (1 - 2x/b + x^2/b^2) \cdot 1/EJ \, dx = \left[x - x^2/b + 1/3 x^3/b^2 \right]_0^b \cdot 1/EJ$$

$$= (b - b + 1/3 b) \cdot 1/EJ = 1/3 \cdot b/EJ$$

$$L_{ED}^{xx} = \int_0^b (x^2/b^2) \cdot 1/EJ \, dx = \left[1/3 x^3/b^2 \right]_0^b \cdot 1/EJ$$

$$= (1/3 b) \cdot 1/EJ = 1/3 \cdot b/EJ$$

$$L_{AB}^{xo} = \int_0^b (3/2 x/b - x^2/b^2 - 1/2 x^3/b^3) \cdot Fb \cdot 1/EJ \, dx + 1 \cdot 0 \cdot 1/4 \cdot Fb^2/EJ$$

$$= \left[3/4 x^2/b - 1/3 x^3/b^2 - 1/8 x^4/b^3 \right]_0^b \cdot Fb \cdot 1/EJ + 1 \cdot 0 \cdot 1/4 \cdot Fb^2/EJ$$

$$= (3/4 b - 1/3 b - 1/8 b) \cdot Fb \cdot 1/EJ + 1 \cdot 0 \cdot 1/4 \cdot Fb^2/EJ = 7/24 \cdot Fb^2/EJ$$

$$L_{BA}^{xo} = \int_0^b (2x/b - 5/2 x^2/b^2 + 1/2 x^3/b^3) \cdot Fb \cdot 1/EJ \, dx + 1 \cdot 0 \cdot 1/4 \cdot Fb^2/EJ$$

$$= \left[x^2/b - 5/6 x^3/b^2 + 1/8 x^4/b^3 \right]_0^b \cdot Fb \cdot 1/EJ + 1 \cdot 0 \cdot 1/4 \cdot Fb^2/EJ$$

$$= (b - 5/6 b + 1/8 b) \cdot Fb \cdot 1/EJ + 1 \cdot 0 \cdot 1/4 \cdot Fb^2/EJ = 7/24 \cdot Fb^2/EJ$$

$$L_{AD}^{xo} = \int_0^{2b} (-5/4 x/b + 1/2 x^2/b^2) \cdot Fb \cdot 1/EJ \, dx = \left[-5/8 x^2/b + 1/6 x^3/b^2 \right]_0^{2b} \cdot Fb \cdot 1/EJ$$

$$= (-5/2 b + 4/3 b) \cdot Fb \cdot 1/EJ = -7/6 \cdot Fb^2/EJ$$

$$L_{DA}^{xo} = \int_0^{2b} (-1/2 - 3/4 x/b + 1/2 x^2/b^2) \cdot Fb \cdot 1/EJ \, dx = \left[-1/2 x - 3/8 x^2/b + 1/6 x^3/b^2 \right]_0^{2b} \cdot Fb \cdot 1/EJ$$

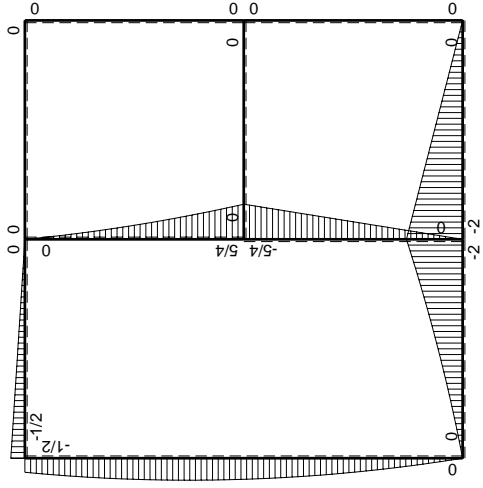
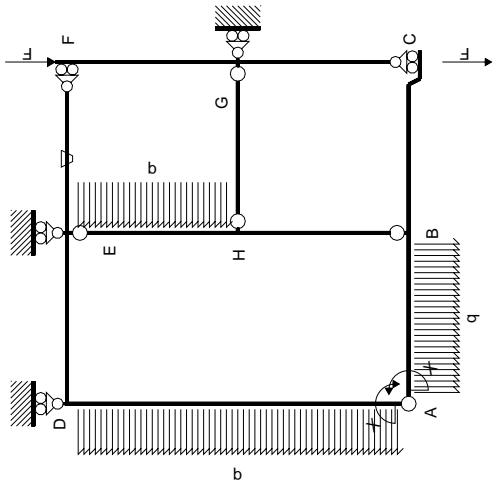
$$= (-b - 3/2 b + 4/3 b) \cdot Fb \cdot 1/EJ = -7/6 \cdot Fb^2/EJ$$

$$L_{DE}^{xo} = \int_0^b (-1/2 + x/b - 1/2 x^2/b^2) \cdot Fb \cdot 1/EJ \, dx = \left[-1/2 x + 1/2 x^2/b - 1/6 x^3/b^2 \right]_0^b \cdot Fb \cdot 1/EJ$$

$$= (-1/2 b + 1/2 b - 1/6 b) \cdot Fb \cdot 1/EJ = -1/6 \cdot Fb^2/EJ$$

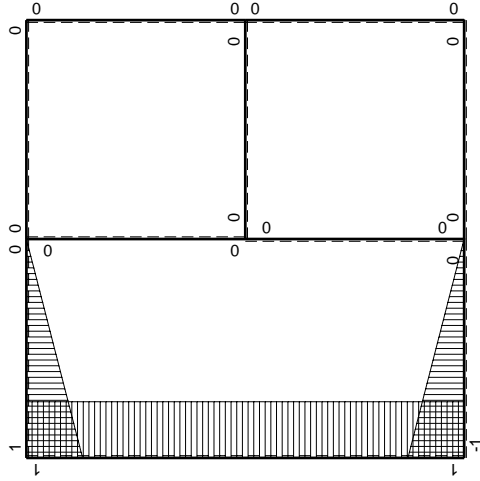
$$L_{ED}^{xo} = \int_0^b (-1/2 x^2/b^2) \cdot Fb \cdot 1/EJ \, dx = \left[-1/6 x^3/b^2 \right]_0^b \cdot Fb \cdot 1/EJ$$

$$= (-1/6 b) \cdot Fb \cdot 1/EJ = -1/6 \cdot Fb^2/EJ$$



Schema di calcolo iperstatico

M_0 flessione da carichi assegnati



M_1 flessione da iperstatica $X=1$

Quadro contributi PLV per iperstatica $X=W_{AB}$

→	$M_x(x)$	$M_o(x)$	θ	$M_x M_o$	$M_x \theta$	$M_x M_x$	$\int M_x(M_o/EJ+\theta)dx$	$\int X M_x M_x/EJ dx$
AB b	$-1+x/b$	$-3/2Fx-1/2qx^2$	0	$3/2Fx-Fx^2/b-1/2qx^3/b$	0	$1-2x/b+x^2/b^2$	$(7/24+0)Fb^2/EJ$	$1/3Xb/EJ$
BA b	x/b	$2Fb-5/2Fx+1/2qx^2$	0	$2Fx-5/2Fx^2/b+1/2qx^3/b$	0	x^2/b^2		
BC b	0	$-2Fb+2Fx$	0	0	0	0	0+0	0
CB b	0	$2Fx$	0	0	0	0		
AD 2b	1	$-5/4Fx+1/2qx^2$	0	$-5/4Fx+1/2Fx^2/b$	0	1	$(-7/6+0)Fb^2/EJ$	$2Xb/EJ$
DA 2b	-1	$1/2Fb+3/4Fx-1/2qx^2$	0	$-1/2Fb-3/4Fx+1/2Fx^2/b$	0	1		
DE b	$1-x/b$	$-1/2Fb+1/2Fx$	0	$-1/2Fb+Fx-1/2Fx^2/b$	0	$1-2x/b+x^2/b^2$	$(-1/6+0)Fb^2/EJ$	$1/3Xb/EJ$
ED b	$-x/b$	$1/2Fx$	0	$-1/2Fx^2/b$	0	x^2/b^2		
EF b	0	0	$-Fb/EJ$	0	0	0	0+0	0
FE b	0	0	Fb/EJ	0	0	0		
FG b	0	0	0	0	0	0	0+0	0
GF b	0	0	0	0	0	0		
GC b	0	0	0	0	0	0	0+0	0
CG b	0	0	0	0	0	0		
HG b	0	0	0	0	0	0	0+0	0
GH b	0	0	0	0	0	0		
HB b	0	$-5/4Fb+5/4Fx$	0	0	0	0	0+0	0
BH b	0	$5/4Fx$	0	0	0	0		
HE b	0	$5/4Fb-7/4Fx+1/2qx^2$	0	0	0	0	0+0	0
EH b	0	$-3/4Fx-1/2qx^2$	0	0	0	0		
AB	molla asta $-W_{1AB}(W_{0AB}+XW_{1AB})/k_{AB}$							$1/4Xb/EJ$
	totali						$-25/24Fb^2/EJ$	$35/12Xb/EJ$
	iperstatica $X=W_{AB}$						$5/14Fb$	

Sviluppi di calcolo iperstatica

$$L_{AB}^{xx} = \int_0^b (1 - 2x/b + x^2/b^2) \cdot 1/EJ \, dx + 1 \cdot 1/4 \cdot b/EJ = \left[x - x^2/b + 1/3 x^3/b^2 \right]_0^b \cdot 1/EJ + 1 \cdot 1/4 \cdot b/EJ$$

$$= (b - b + 1/3 b) \cdot 1/EJ + 1 \cdot 1/4 \cdot b/EJ = 7/12 \cdot b/EJ$$

$$L_{BA}^{xx} = \int_0^b (x^2/b^2) \cdot 1/EJ \, dx + 1 \cdot 1/4 \cdot b/EJ = \left[1/3 x^3/b^2 \right]_0^b \cdot 1/EJ + 1 \cdot 1/4 \cdot b/EJ$$

$$= (1/3 b) \cdot 1/EJ + 1 \cdot 1/4 \cdot b/EJ = 7/12 \cdot b/EJ$$

$$L_{AD}^{xx} = \int_0^{2b} (1) \cdot 1/EJ \, dx = \left[x \right]_0^{2b} \cdot 1/EJ$$

$$= (2b) \cdot 1/EJ = 2 \cdot b/EJ$$

$$L_{DA}^{xx} = \int_0^{2b} (1) \cdot 1/EJ \, dx = \left[x \right]_0^{2b} \cdot 1/EJ$$

$$= (2b) \cdot 1/EJ = 2 \cdot b/EJ$$

$$L_{DE}^{xx} = \int_0^b (1 - 2x/b + x^2/b^2) \cdot 1/EJ \, dx = \left[x - x^2/b + 1/3 x^3/b^2 \right]_0^b \cdot 1/EJ$$

$$= (b - b + 1/3 b) \cdot 1/EJ = 1/3 \cdot b/EJ$$

$$L_{ED}^{xx} = \int_0^b (x^2/b^2) \cdot 1/EJ \, dx = \left[1/3 x^3/b^2 \right]_0^b \cdot 1/EJ$$

$$= (1/3 b) \cdot 1/EJ = 1/3 \cdot b/EJ$$

$$L_{AB}^{xo} = \int_0^b (3/2 x/b - x^2/b^2 - 1/2 x^3/b^3) \cdot Fb \cdot 1/EJ \, dx + 1 \cdot 0 \cdot 1/4 \cdot Fb^2/EJ$$

$$= \left[3/4 x^2/b - 1/3 x^3/b^2 - 1/8 x^4/b^3 \right]_0^b \cdot Fb \cdot 1/EJ + 1 \cdot 0 \cdot 1/4 \cdot Fb^2/EJ$$

$$= (3/4 b - 1/3 b - 1/8 b) \cdot Fb \cdot 1/EJ + 1 \cdot 0 \cdot 1/4 \cdot Fb^2/EJ = 7/24 \cdot Fb^2/EJ$$

$$L_{BA}^{xo} = \int_0^b (2x/b - 5/2 x^2/b^2 + 1/2 x^3/b^3) \cdot Fb \cdot 1/EJ \, dx + 1 \cdot 0 \cdot 1/4 \cdot Fb^2/EJ$$

$$= \left[x^2/b - 5/6 x^3/b^2 + 1/8 x^4/b^3 \right]_0^b \cdot Fb \cdot 1/EJ + 1 \cdot 0 \cdot 1/4 \cdot Fb^2/EJ$$

$$= (b - 5/6 b + 1/8 b) \cdot Fb \cdot 1/EJ + 1 \cdot 0 \cdot 1/4 \cdot Fb^2/EJ = 7/24 \cdot Fb^2/EJ$$

$$L_{AD}^{xo} = \int_0^{2b} (-5/4 x/b + 1/2 x^2/b^2) \cdot Fb \cdot 1/EJ \, dx = \left[-5/8 x^2/b + 1/6 x^3/b^2 \right]_0^{2b} \cdot Fb \cdot 1/EJ$$

$$= (-5/2 b + 4/3 b) \cdot Fb \cdot 1/EJ = -7/6 \cdot Fb^2/EJ$$

$$L_{DA}^{xo} = \int_0^{2b} (-1/2 - 3/4 x/b + 1/2 x^2/b^2) \cdot Fb \cdot 1/EJ \, dx = \left[-1/2 x - 3/8 x^2/b + 1/6 x^3/b^2 \right]_0^{2b} \cdot Fb \cdot 1/EJ$$

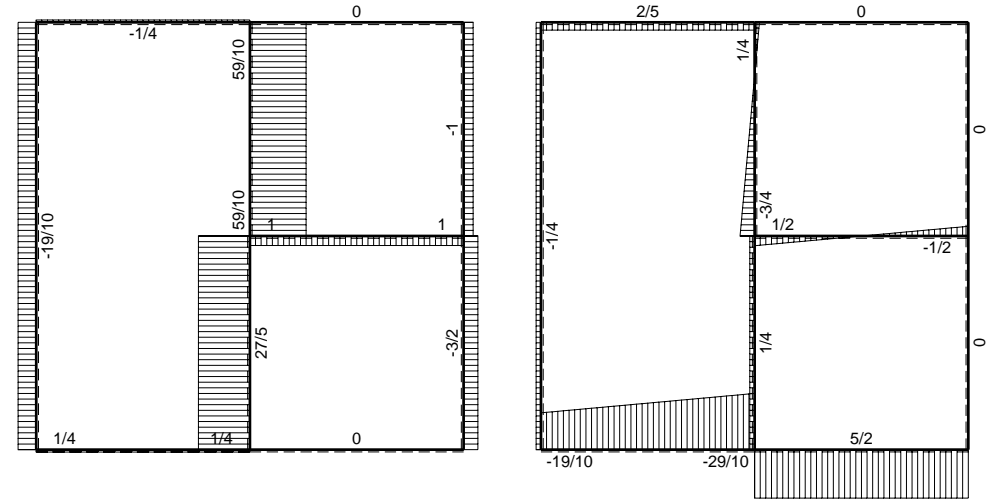
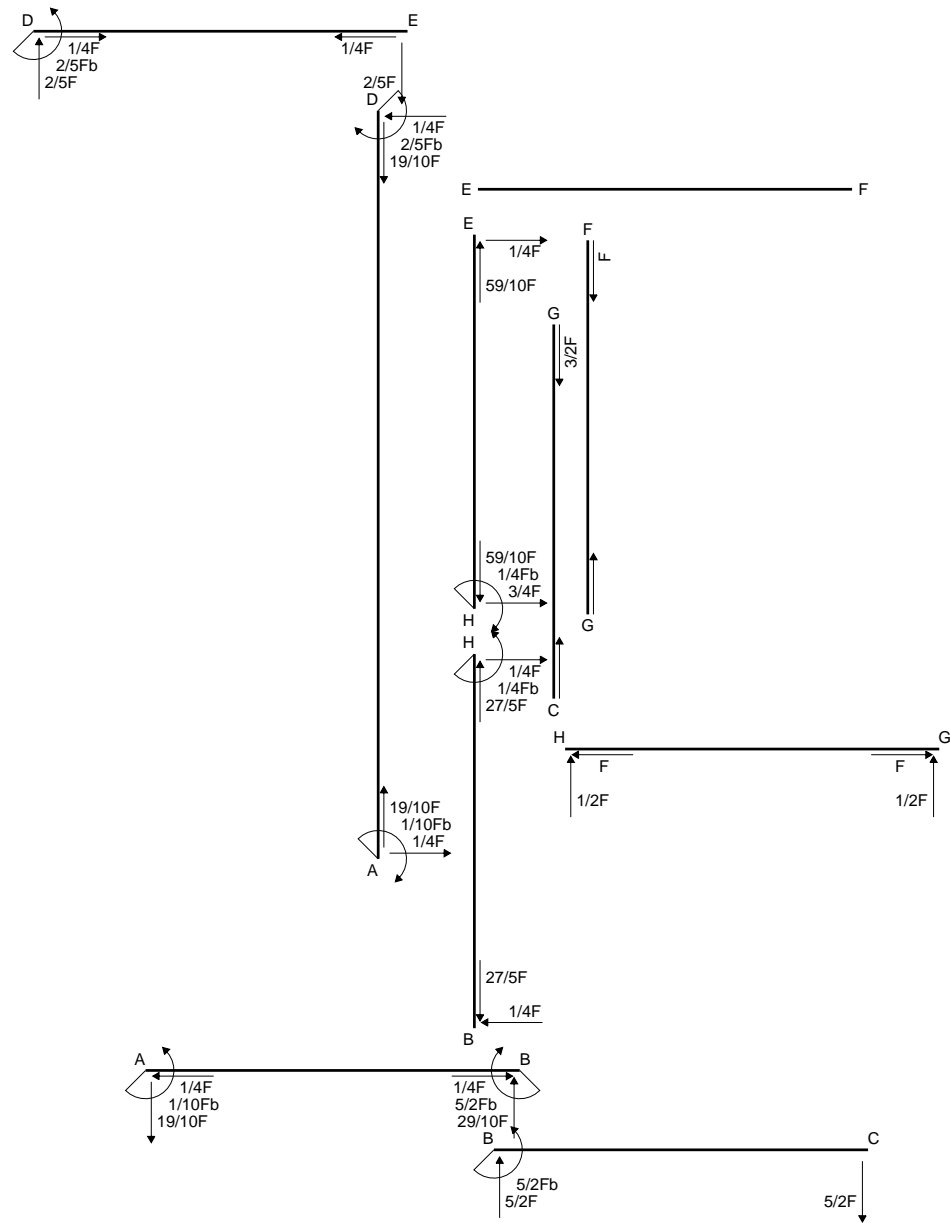
$$= (-b - 3/2 b + 4/3 b) \cdot Fb \cdot 1/EJ = -7/6 \cdot Fb^2/EJ$$

$$L_{DE}^{xo} = \int_0^b (-1/2 + x/b - 1/2 x^2/b^2) \cdot Fb \cdot 1/EJ \, dx = \left[-1/2 x + 1/2 x^2/b - 1/6 x^3/b^2 \right]_0^b \cdot Fb \cdot 1/EJ$$

$$= (-1/2 b + 1/2 b - 1/6 b) \cdot Fb \cdot 1/EJ = -1/6 \cdot Fb^2/EJ$$

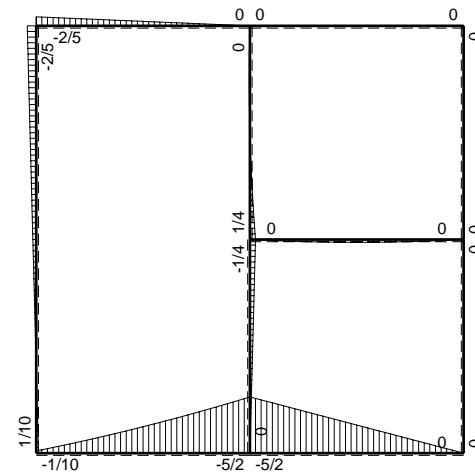
$$L_{ED}^{xo} = \int_0^b (-1/2 x^2/b^2) \cdot Fb \cdot 1/EJ \, dx = \left[-1/6 x^3/b^2 \right]_0^b \cdot Fb \cdot 1/EJ$$

$$= (-1/6 b) \cdot Fb \cdot 1/EJ = -1/6 \cdot Fb^2/EJ$$

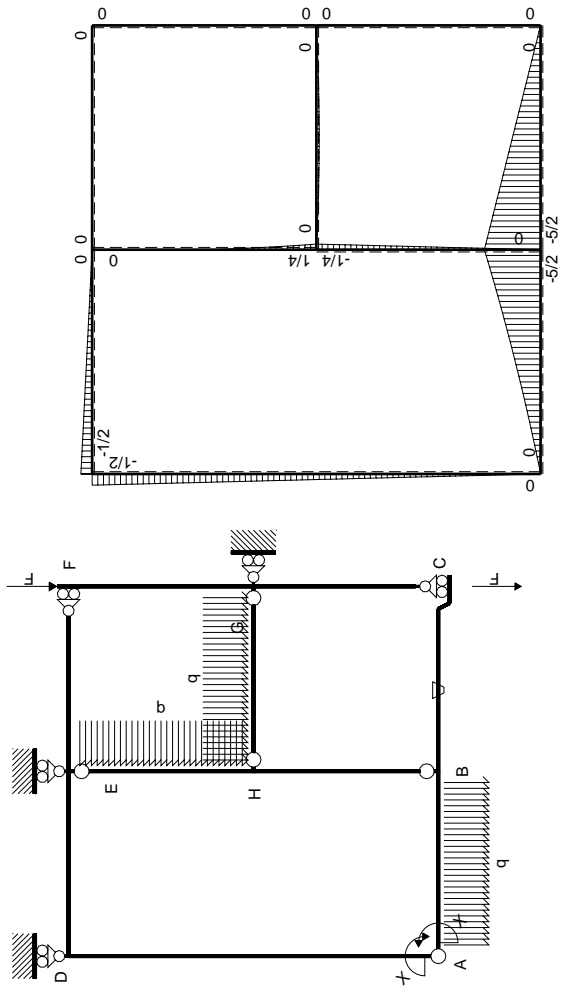


← (+) → F

↑ (+) ↓ Fb

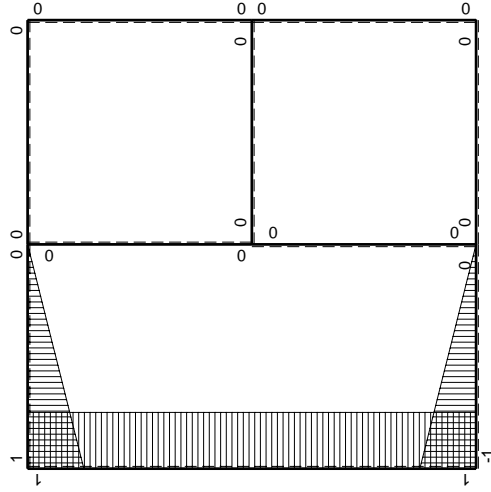


⊞ (+) ⊞ Fb



Schema di calcolo iperstatico

M_0 flessione da carichi assegnati



M_x flessione da iperstatica $X=1$

Quadro contributi PLV per iperstatica $X=W_{AB}$

→	$M_x(x)$	$M_o(x)$	θ	$M_x M_o$	$M_x \theta$	$M_x M_x$	$\int M_x(M_o/EJ+\theta)dx$	$\int X M_x M_x/EJ dx$
AB b	$-1+x/b$	$-2Fx-1/2qx^2$	0	$2Fx-3/2Fx^2/b-1/2qx^3/b$	0	$1-2x/b+x^2/b^2$	$(3/8+0)Fb^2/EJ$	$1/3Xb/EJ$
BA b	x/b	$5/2Fb-3Fx+1/2qx^2$	0	$5/2Fx-3Fx^2/b+1/2qx^3/b$	0	x^2/b^2		
BC b	0	$-5/2Fb+5/2Fx$	$-Fb/EJ$	0	0	0	0+0	0
CB b	0	$5/2Fx$	Fb/EJ	0	0	0		
AD 2b	1	$-1/4Fx$	0	$-1/4Fx$	0	1	$(-1/2+0)Fb^2/EJ$	$2Xb/EJ$
DA 2b	-1	$1/2Fb-1/4Fx$	0	$-1/2Fb+1/4Fx$	0	1		
DE b	$1-x/b$	$-1/2Fb+1/2Fx$	0	$-1/2Fb+Fx-1/2Fx^2/b$	0	$1-2x/b+x^2/b^2$	$(-1/6+0)Fb^2/EJ$	$1/3Xb/EJ$
ED b	$-x/b$	$1/2Fx$	0	$-1/2Fx^2/b$	0	x^2/b^2		
EF b	0	0	0	0	0	0	0+0	0
FE b	0	0	0	0	0	0		
FG b	0	0	0	0	0	0	0+0	0
GF b	0	0	0	0	0	0		
GC b	0	0	0	0	0	0	0+0	0
CG b	0	0	0	0	0	0		
HG b	0	$1/2Fx-1/2qx^2$	0	0	0	0	0+0	0
GH b	0	$-1/2Fx+1/2qx^2$	0	0	0	0		
HB b	0	$-1/4Fb+1/4Fx$	0	0	0	0	0+0	0
BH b	0	$1/4Fx$	0	0	0	0		
HE b	0	$1/4Fb-3/4Fx+1/2qx^2$	0	0	0	0	0+0	0
EH b	0	$1/4Fx-1/2qx^2$	0	0	0	0		
AB	molla asta $-W_{1AB}(W_{0AB}+XW_{1AB})/k_{AB}$							$1/4Xb/EJ$
	totali						$-7/24Fb^2/EJ$	$35/12Xb/EJ$
	iperstatica $X=W_{AB}$						$1/10Fb$	

Sviluppi di calcolo iperstatica

$$L_{AB}^{xx} = \int_0^b (1 - 2x/b + x^2/b^2) \cdot 1/EJ \, dx + 1 \cdot 1/4 \cdot b/EJ = \left[x - x^2/b + 1/3 x^3/b^2 \right]_0^b \cdot 1/EJ + 1 \cdot 1/4 \cdot b/EJ$$

$$= (b - b + 1/3 b) \cdot 1/EJ + 1 \cdot 1/4 \cdot b/EJ = 7/12 \cdot b/EJ$$

$$L_{BA}^{xx} = \int_0^b (x^2/b^2) \cdot 1/EJ \, dx + 1 \cdot 1/4 \cdot b/EJ = \left[1/3 x^3/b^2 \right]_0^b \cdot 1/EJ + 1 \cdot 1/4 \cdot b/EJ$$

$$= (1/3 b) \cdot 1/EJ + 1 \cdot 1/4 \cdot b/EJ = 7/12 \cdot b/EJ$$

$$L_{AD}^{xx} = \int_0^{2b} (1) \cdot 1/EJ \, dx = \left[x \right]_0^{2b} \cdot 1/EJ$$

$$= (2b) \cdot 1/EJ = 2 \cdot b/EJ$$

$$L_{DA}^{xx} = \int_0^{2b} (1) \cdot 1/EJ \, dx = \left[x \right]_0^{2b} \cdot 1/EJ$$

$$= (2b) \cdot 1/EJ = 2 \cdot b/EJ$$

$$L_{DE}^{xx} = \int_0^b (1 - 2x/b + x^2/b^2) \cdot 1/EJ \, dx = \left[x - x^2/b + 1/3 x^3/b^2 \right]_0^b \cdot 1/EJ$$

$$= (b - b + 1/3 b) \cdot 1/EJ = 1/3 \cdot b/EJ$$

$$L_{ED}^{xx} = \int_0^b (x^2/b^2) \cdot 1/EJ \, dx = \left[1/3 x^3/b^2 \right]_0^b \cdot 1/EJ$$

$$= (1/3 b) \cdot 1/EJ = 1/3 \cdot b/EJ$$

$$L_{AB}^{xo} = \int_0^b (2x/b - 3/2 x^2/b^2 - 1/2 x^3/b^3) \cdot Fb \cdot 1/EJ \, dx + 1 \cdot 0 \cdot 1/4 \cdot Fb^2/EJ$$

$$= \left[x^2/b - 1/2 x^3/b^2 - 1/8 x^4/b^3 \right]_0^b \cdot Fb \cdot 1/EJ + 1 \cdot 0 \cdot 1/4 \cdot Fb^2/EJ$$

$$= (b - 1/2 b - 1/8 b) \cdot Fb \cdot 1/EJ + 1 \cdot 0 \cdot 1/4 \cdot Fb^2/EJ = 3/8 \cdot Fb^2/EJ$$

$$L_{BA}^{xo} = \int_0^b (5/2 x/b - 3 x^2/b^2 + 1/2 x^3/b^3) \cdot Fb \cdot 1/EJ \, dx + 1 \cdot 0 \cdot 1/4 \cdot Fb^2/EJ$$

$$= \left[5/4 x^2/b - x^3/b^2 + 1/8 x^4/b^3 \right]_0^b \cdot Fb \cdot 1/EJ + 1 \cdot 0 \cdot 1/4 \cdot Fb^2/EJ$$

$$= (5/4 b - b + 1/8 b) \cdot Fb \cdot 1/EJ + 1 \cdot 0 \cdot 1/4 \cdot Fb^2/EJ = 3/8 \cdot Fb^2/EJ$$

$$L_{AD}^{xo} = \int_0^{2b} (-1/4 x/b) \cdot Fb \cdot 1/EJ \, dx = \left[-1/8 x^2/b \right]_0^{2b} \cdot Fb \cdot 1/EJ$$

$$= (-1/2 b) \cdot Fb \cdot 1/EJ = -1/2 \cdot Fb^2/EJ$$

$$L_{DA}^{xo} = \int_0^{2b} (-1/2 + 1/4 x/b) \cdot Fb \cdot 1/EJ \, dx = \left[-1/2 x + 1/8 x^2/b \right]_0^{2b} \cdot Fb \cdot 1/EJ$$

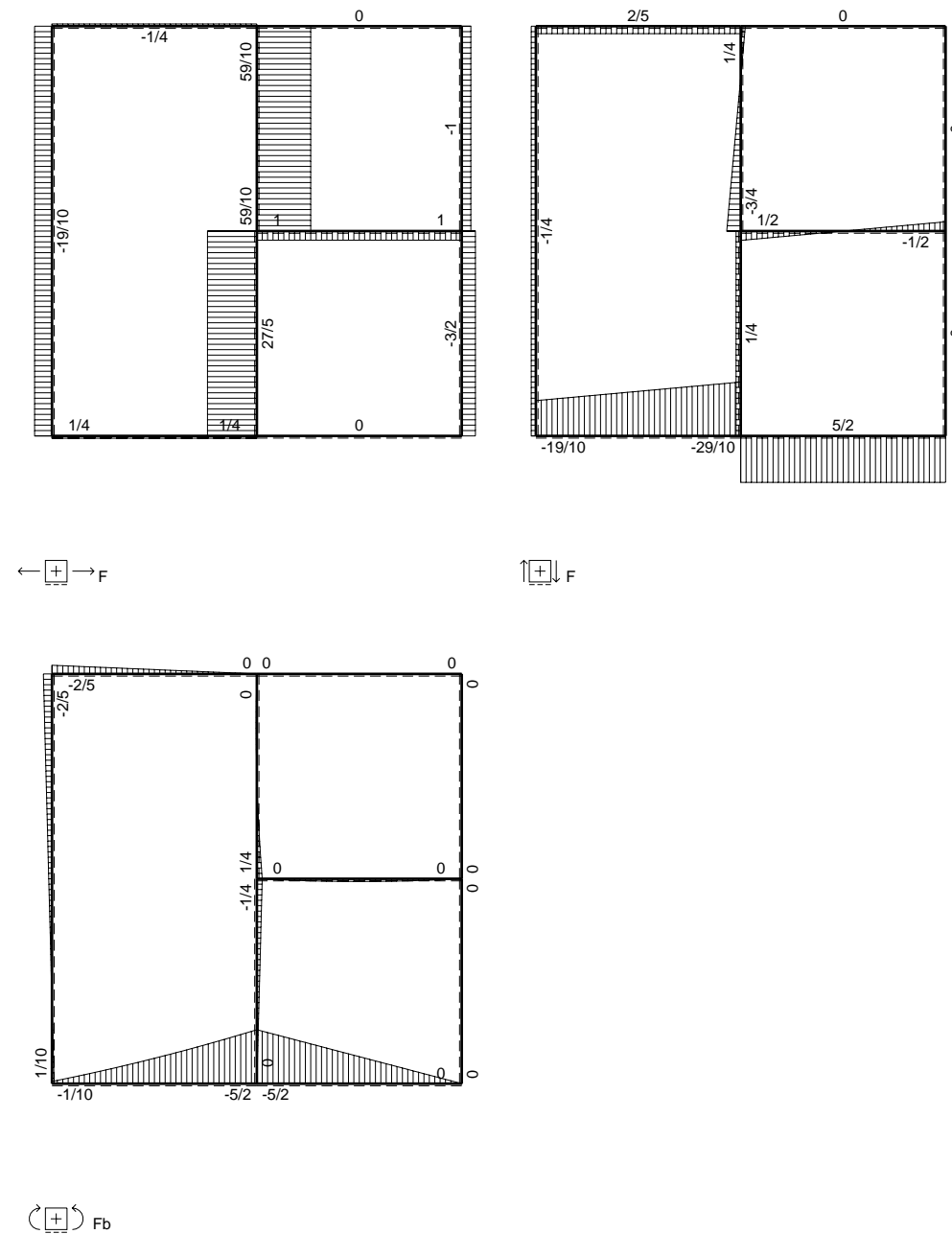
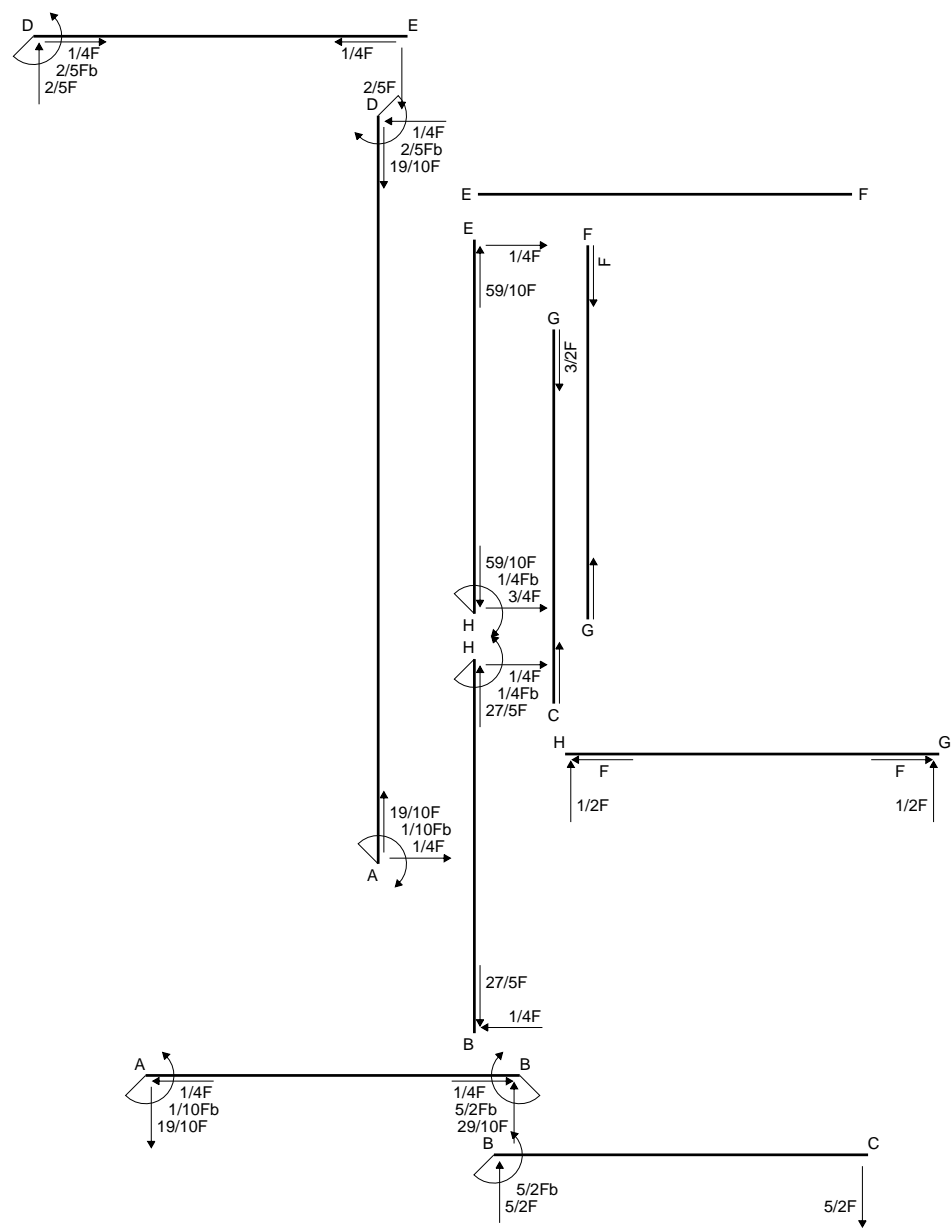
$$= (-b + 1/2 b) \cdot Fb \cdot 1/EJ = -1/2 \cdot Fb^2/EJ$$

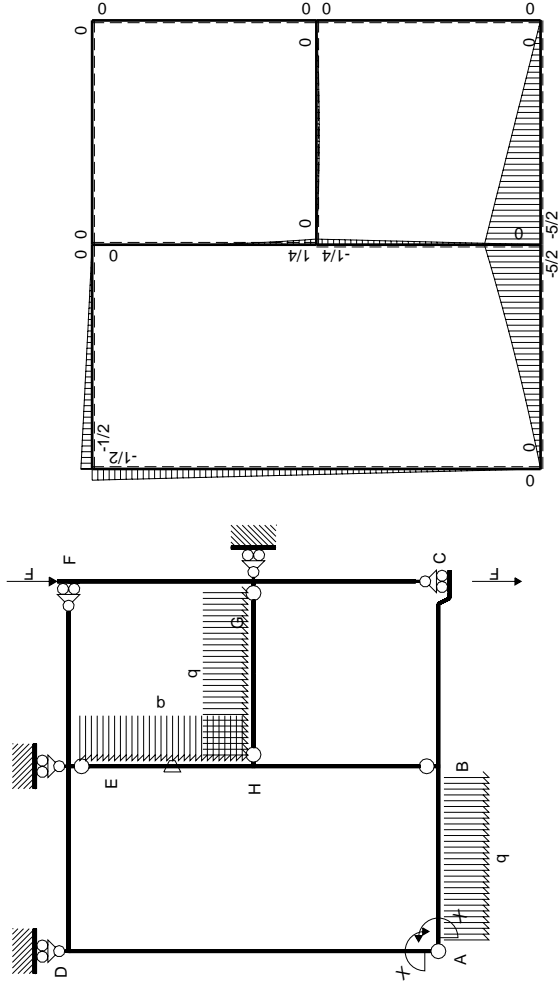
$$L_{DE}^{xo} = \int_0^b (-1/2 + x/b - 1/2 x^2/b^2) \cdot Fb \cdot 1/EJ \, dx = \left[-1/2 x + 1/2 x^2/b - 1/6 x^3/b^2 \right]_0^b \cdot Fb \cdot 1/EJ$$

$$= (-1/2 b + 1/2 b - 1/6 b) \cdot Fb \cdot 1/EJ = -1/6 \cdot Fb^2/EJ$$

$$L_{ED}^{xo} = \int_0^b (-1/2 x^2/b^2) \cdot Fb \cdot 1/EJ \, dx = \left[-1/6 x^3/b^2 \right]_0^b \cdot Fb \cdot 1/EJ$$

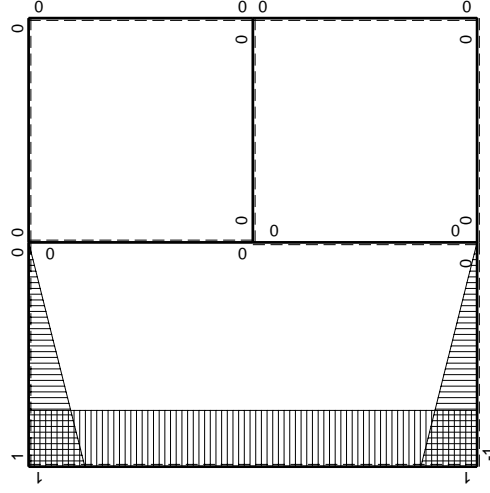
$$= (-1/6 b) \cdot Fb \cdot 1/EJ = -1/6 \cdot Fb^2/EJ$$





Schema di calcolo iperstatico

M_0 flessione da carichi assegnati



M_x flessione da iperstatica $X=1$

Quadro contributi PLV per iperstatica $X=W_{AB}$

→	$M_x(x)$	$M_o(x)$	θ	$M_x M_o$	$M_x \theta$	$M_x M_x$	$\int M_x(M_o/EJ+\theta)dx$	$\int X M_x M_x/EJ dx$	
AB b	$-1+x/b$	$-2Fx-1/2qx^2$	0	$2Fx-3/2Fx^2/b-1/2qx^3/b$	0	$1-2x/b+x^2/b^2$	$(3/8+0)Fb^2/EJ$	$1/3Xb/EJ$	
BA b	x/b	$5/2Fb-3Fx+1/2qx^2$	0	$5/2Fx-3Fx^2/b+1/2qx^3/b$	0	x^2/b^2			
BC b	0	$-5/2Fb+5/2Fx$	0	0	0	0	0+0	0	
CB b	0	$5/2Fx$	0	0	0	0			
AD 2b	1	$-1/4Fx$	0	$-1/4Fx$	0	1	$(-1/2+0)Fb^2/EJ$	$2Xb/EJ$	
DA 2b	-1	$1/2Fb-1/4Fx$	0	$-1/2Fb+1/4Fx$	0	1			
DE b	$1-x/b$	$-1/2Fb+1/2Fx$	0	$-1/2Fb+Fx-1/2Fx^2/b$	0	$1-2x/b+x^2/b^2$	$(-1/6+0)Fb^2/EJ$	$1/3Xb/EJ$	
ED b	$-x/b$	$1/2Fx$	0	$-1/2Fx^2/b$	0	x^2/b^2			
EF b	0	0	0	0	0	0	0+0	0	
FE b	0	0	0	0	0	0			
FG b	0	0	0	0	0	0	0+0	0	
GF b	0	0	0	0	0	0			
GC b	0	0	0	0	0	0	0+0	0	
CG b	0	0	0	0	0	0			
HG b	0	$1/2Fx-1/2qx^2$	0	0	0	0	0+0	0	
GH b	0	$-1/2Fx+1/2qx^2$	0	0	0	0			
HB b	0	$-1/4Fb+1/4Fx$	0	0	0	0	0+0	0	
BH b	0	$1/4Fx$	0	0	0	0			
HE b	0	$1/4Fb-3/4Fx+1/2qx^2$	$-Fb/EJ$	0	0	0	0+0	0	
EH b	0	$1/4Fx-1/2qx^2$	Fb/EJ	0	0	0			
AB	molla asta $-W_{1AB}(W_{0AB}+XW_{1AB})/k_{AB}$								$1/4Xb/EJ$
	totali							$-7/24Fb^2/EJ$	$35/12Xb/EJ$
	iperstatica $X=W_{AB}$							$1/10Fb$	

Sviluppi di calcolo iperstatica

$$L_{AB}^{xx} = \int_0^b (1 - 2x/b + x^2/b^2) \cdot 1/EJ \, dx + 1 \cdot 1/4 \cdot b/EJ = \left[x - x^2/b + 1/3 x^3/b^2 \right]_0^b \cdot 1/EJ + 1 \cdot 1/4 \cdot b/EJ$$

$$= (b - b + 1/3 b) \cdot 1/EJ + 1 \cdot 1/4 \cdot b/EJ = 7/12 \cdot b/EJ$$

$$L_{BA}^{xx} = \int_0^b (x^2/b^2) \cdot 1/EJ \, dx + 1 \cdot 1/4 \cdot b/EJ = \left[1/3 x^3/b^2 \right]_0^b \cdot 1/EJ + 1 \cdot 1/4 \cdot b/EJ$$

$$= (1/3 b) \cdot 1/EJ + 1 \cdot 1/4 \cdot b/EJ = 7/12 \cdot b/EJ$$

$$L_{AD}^{xx} = \int_0^{2b} (1) \cdot 1/EJ \, dx = \left[x \right]_0^{2b} \cdot 1/EJ$$

$$= (2b) \cdot 1/EJ = 2 \cdot b/EJ$$

$$L_{DA}^{xx} = \int_0^{2b} (1) \cdot 1/EJ \, dx = \left[x \right]_0^{2b} \cdot 1/EJ$$

$$= (2b) \cdot 1/EJ = 2 \cdot b/EJ$$

$$L_{DE}^{xx} = \int_0^b (1 - 2x/b + x^2/b^2) \cdot 1/EJ \, dx = \left[x - x^2/b + 1/3 x^3/b^2 \right]_0^b \cdot 1/EJ$$

$$= (b - b + 1/3 b) \cdot 1/EJ = 1/3 \cdot b/EJ$$

$$L_{ED}^{xx} = \int_0^b (x^2/b^2) \cdot 1/EJ \, dx = \left[1/3 x^3/b^2 \right]_0^b \cdot 1/EJ$$

$$= (1/3 b) \cdot 1/EJ = 1/3 \cdot b/EJ$$

$$L_{AB}^{xo} = \int_0^b (2x/b - 3/2 x^2/b^2 - 1/2 x^3/b^3) \cdot Fb \cdot 1/EJ \, dx + 1 \cdot 0 \cdot 1/4 \cdot Fb^2/EJ$$

$$= \left[x^2/b - 1/2 x^3/b^2 - 1/8 x^4/b^3 \right]_0^b \cdot Fb \cdot 1/EJ + 1 \cdot 0 \cdot 1/4 \cdot Fb^2/EJ$$

$$= (b - 1/2 b - 1/8 b) \cdot Fb \cdot 1/EJ + 1 \cdot 0 \cdot 1/4 \cdot Fb^2/EJ = 3/8 \cdot Fb^2/EJ$$

$$L_{BA}^{xo} = \int_0^b (5/2 x/b - 3 x^2/b^2 + 1/2 x^3/b^3) \cdot Fb \cdot 1/EJ \, dx + 1 \cdot 0 \cdot 1/4 \cdot Fb^2/EJ$$

$$= \left[5/4 x^2/b - x^3/b^2 + 1/8 x^4/b^3 \right]_0^b \cdot Fb \cdot 1/EJ + 1 \cdot 0 \cdot 1/4 \cdot Fb^2/EJ$$

$$= (5/4 b - b + 1/8 b) \cdot Fb \cdot 1/EJ + 1 \cdot 0 \cdot 1/4 \cdot Fb^2/EJ = 3/8 \cdot Fb^2/EJ$$

$$L_{AD}^{xo} = \int_0^{2b} (-1/4 x/b) \cdot Fb \cdot 1/EJ \, dx = \left[-1/8 x^2/b \right]_0^{2b} \cdot Fb \cdot 1/EJ$$

$$= (-1/2 b) \cdot Fb \cdot 1/EJ = -1/2 \cdot Fb^2/EJ$$

$$L_{DA}^{xo} = \int_0^{2b} (-1/2 + 1/4 x/b) \cdot Fb \cdot 1/EJ \, dx = \left[-1/2 x + 1/8 x^2/b \right]_0^{2b} \cdot Fb \cdot 1/EJ$$

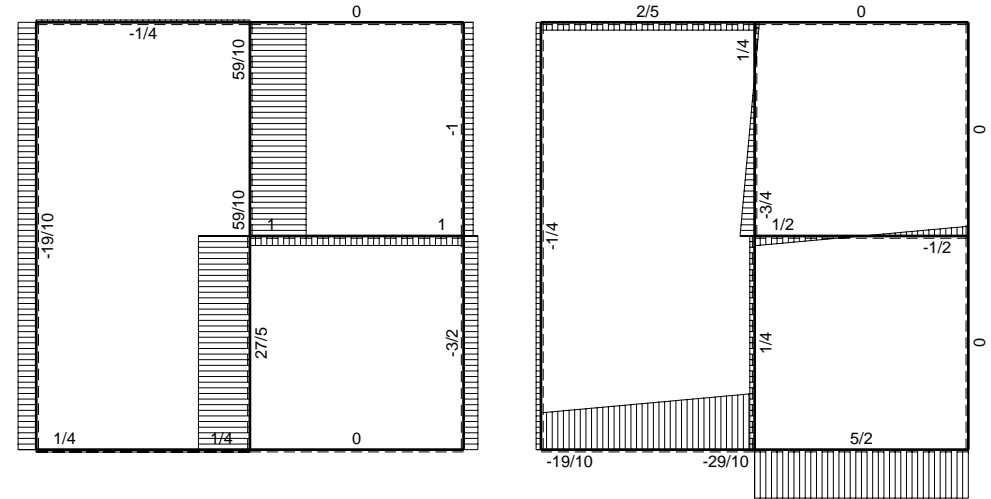
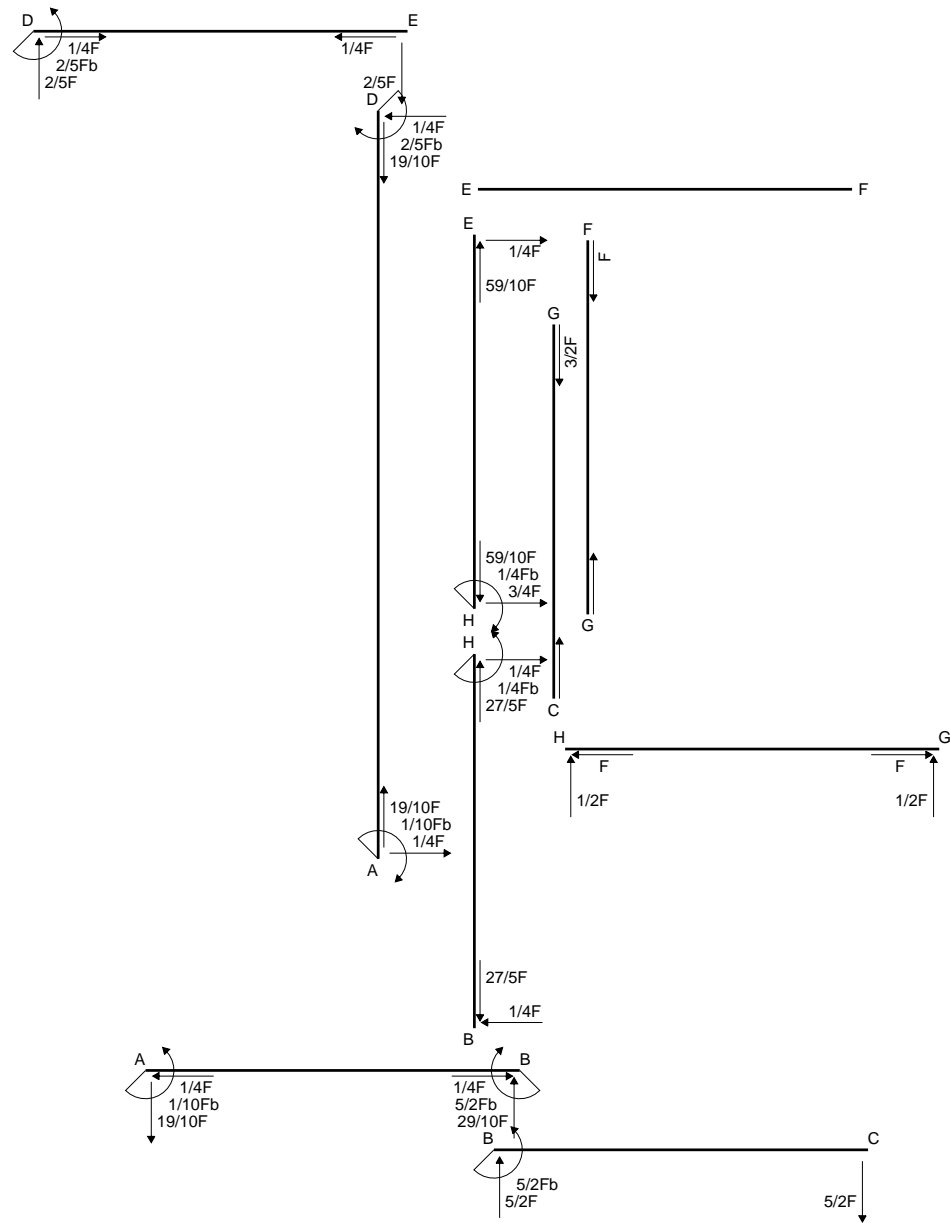
$$= (-b + 1/2 b) \cdot Fb \cdot 1/EJ = -1/2 \cdot Fb^2/EJ$$

$$L_{DE}^{xo} = \int_0^b (-1/2 + x/b - 1/2 x^2/b^2) \cdot Fb \cdot 1/EJ \, dx = \left[-1/2 x + 1/2 x^2/b - 1/6 x^3/b^2 \right]_0^b \cdot Fb \cdot 1/EJ$$

$$= (-1/2 b + 1/2 b - 1/6 b) \cdot Fb \cdot 1/EJ = -1/6 \cdot Fb^2/EJ$$

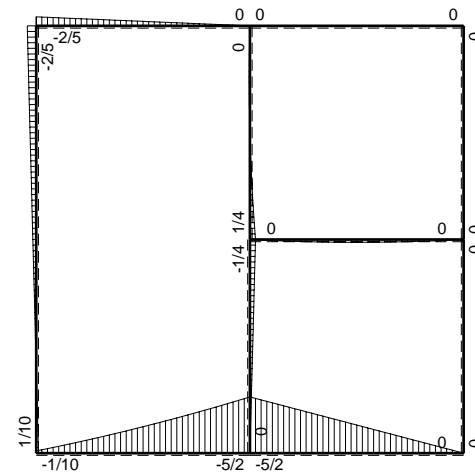
$$L_{ED}^{xo} = \int_0^b (-1/2 x^2/b^2) \cdot Fb \cdot 1/EJ \, dx = \left[-1/6 x^3/b^2 \right]_0^b \cdot Fb \cdot 1/EJ$$

$$= (-1/6 b) \cdot Fb \cdot 1/EJ = -1/6 \cdot Fb^2/EJ$$

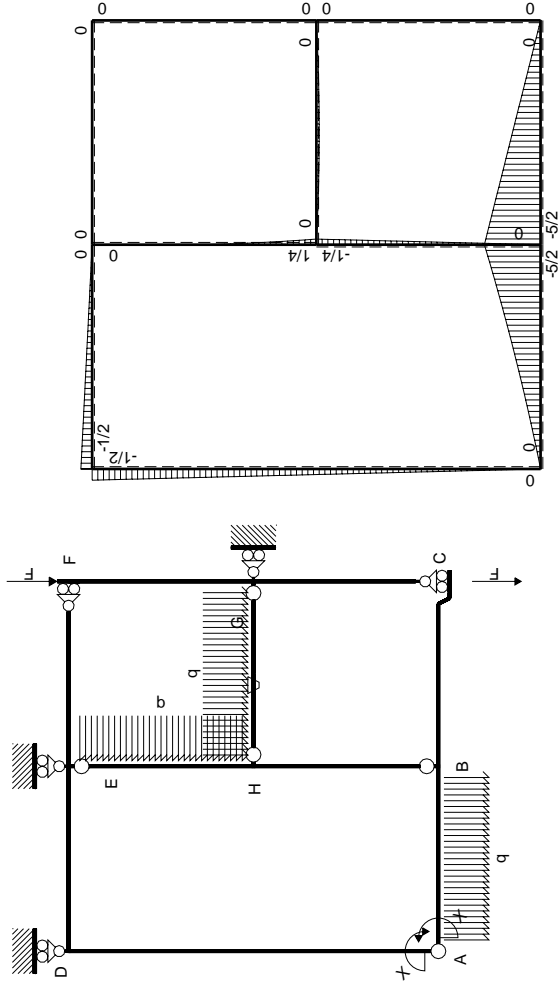


← ⊕ → F

↑ ⊕ ↓ F_b

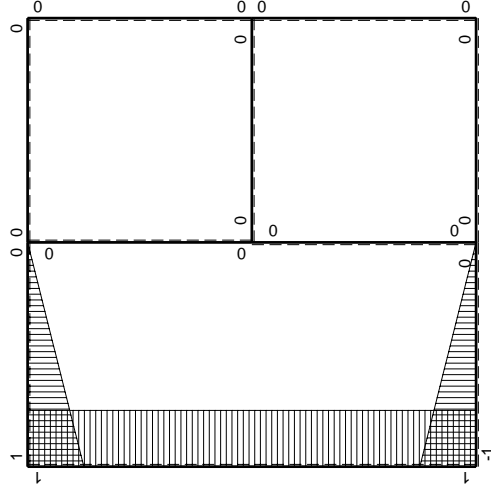


⊕ ⊖ F_b



Schema di calcolo iperstatico

M_0 flessione da carichi assegnati



M_x flessione da iperstatica $X=1$

Quadro contributi PLV per iperstatica $X=W_{AB}$

→	$M_x(x)$	$M_o(x)$	θ	$M_x M_o$	$M_x \theta$	$M_x M_x$	$\int M_x(M_o/EJ+\theta)dx$	$\int X M_x M_x/EJ dx$
AB b	$-1+x/b$	$-2Fx-1/2qx^2$	0	$2Fx-3/2Fx^2/b-1/2qx^3/b$	0	$1-2x/b+x^2/b^2$	$(3/8+0)Fb^2/EJ$	$1/3Xb/EJ$
BA b	x/b	$5/2Fb-3Fx+1/2qx^2$	0	$5/2Fx-3Fx^2/b+1/2qx^3/b$	0	x^2/b^2		
BC b	0	$-5/2Fb+5/2Fx$	0	0	0	0	0+0	0
CB b	0	$5/2Fx$	0	0	0	0		
AD 2b	1	$-1/4Fx$	0	$-1/4Fx$	0	1	$(-1/2+0)Fb^2/EJ$	$2Xb/EJ$
DA 2b	-1	$1/2Fb-1/4Fx$	0	$-1/2Fb+1/4Fx$	0	1		
DE b	$1-x/b$	$-1/2Fb+1/2Fx$	0	$-1/2Fb+Fx-1/2Fx^2/b$	0	$1-2x/b+x^2/b^2$	$(-1/6+0)Fb^2/EJ$	$1/3Xb/EJ$
ED b	$-x/b$	$1/2Fx$	0	$-1/2Fx^2/b$	0	x^2/b^2		
EF b	0	0	0	0	0	0	0+0	0
FE b	0	0	0	0	0	0		
FG b	0	0	0	0	0	0	0+0	0
GF b	0	0	0	0	0	0		
GC b	0	0	0	0	0	0	0+0	0
CG b	0	0	0	0	0	0		
HG b	0	$1/2Fx-1/2qx^2$	$-Fb/EJ$	0	0	0	0+0	0
GH b	0	$-1/2Fx+1/2qx^2$	Fb/EJ	0	0	0		
HB b	0	$-1/4Fb+1/4Fx$	0	0	0	0	0+0	0
BH b	0	$1/4Fx$	0	0	0	0		
HE b	0	$1/4Fb-3/4Fx+1/2qx^2$	0	0	0	0	0+0	0
EH b	0	$1/4Fx-1/2qx^2$	0	0	0	0		
AB	molla asta $-W_{1AB}(W_{0AB}+XW_{1AB})/k_{AB}$							$1/4Xb/EJ$
	totali						$-7/24Fb^2/EJ$	$35/12Xb/EJ$
	iperstatica $X=W_{AB}$						$1/10Fb$	

Sviluppi di calcolo iperstatica

$$L_{AB}^{xx} = \int_0^b (1 - 2x/b + x^2/b^2) \cdot 1/EJ \, dx + 1 \cdot 1/4 \cdot b/EJ = \left[x - x^2/b + 1/3 x^3/b^2 \right]_0^b \cdot 1/EJ + 1 \cdot 1/4 \cdot b/EJ$$

$$= (b - b + 1/3 b) \cdot 1/EJ + 1 \cdot 1/4 \cdot b/EJ = 7/12 \cdot b/EJ$$

$$L_{BA}^{xx} = \int_0^b (x^2/b^2) \cdot 1/EJ \, dx + 1 \cdot 1/4 \cdot b/EJ = \left[1/3 x^3/b^2 \right]_0^b \cdot 1/EJ + 1 \cdot 1/4 \cdot b/EJ$$

$$= (1/3 b) \cdot 1/EJ + 1 \cdot 1/4 \cdot b/EJ = 7/12 \cdot b/EJ$$

$$L_{AD}^{xx} = \int_0^{2b} (1) \cdot 1/EJ \, dx = \left[x \right]_0^{2b} \cdot 1/EJ$$

$$= (2b) \cdot 1/EJ = 2 \cdot b/EJ$$

$$L_{DA}^{xx} = \int_0^{2b} (1) \cdot 1/EJ \, dx = \left[x \right]_0^{2b} \cdot 1/EJ$$

$$= (2b) \cdot 1/EJ = 2 \cdot b/EJ$$

$$L_{DE}^{xx} = \int_0^b (1 - 2x/b + x^2/b^2) \cdot 1/EJ \, dx = \left[x - x^2/b + 1/3 x^3/b^2 \right]_0^b \cdot 1/EJ$$

$$= (b - b + 1/3 b) \cdot 1/EJ = 1/3 \cdot b/EJ$$

$$L_{ED}^{xx} = \int_0^b (x^2/b^2) \cdot 1/EJ \, dx = \left[1/3 x^3/b^2 \right]_0^b \cdot 1/EJ$$

$$= (1/3 b) \cdot 1/EJ = 1/3 \cdot b/EJ$$

$$L_{AB}^{xo} = \int_0^b (2x/b - 3/2 x^2/b^2 - 1/2 x^3/b^3) \cdot Fb \cdot 1/EJ \, dx + 1 \cdot 0 \cdot 1/4 \cdot Fb^2/EJ$$

$$= \left[x^2/b - 1/2 x^3/b^2 - 1/8 x^4/b^3 \right]_0^b \cdot Fb \cdot 1/EJ + 1 \cdot 0 \cdot 1/4 \cdot Fb^2/EJ$$

$$= (b - 1/2 b - 1/8 b) \cdot Fb \cdot 1/EJ + 1 \cdot 0 \cdot 1/4 \cdot Fb^2/EJ = 3/8 \cdot Fb^2/EJ$$

$$L_{BA}^{xo} = \int_0^b (5/2 x/b - 3 x^2/b^2 + 1/2 x^3/b^3) \cdot Fb \cdot 1/EJ \, dx + 1 \cdot 0 \cdot 1/4 \cdot Fb^2/EJ$$

$$= \left[5/4 x^2/b - x^3/b^2 + 1/8 x^4/b^3 \right]_0^b \cdot Fb \cdot 1/EJ + 1 \cdot 0 \cdot 1/4 \cdot Fb^2/EJ$$

$$= (5/4 b - b + 1/8 b) \cdot Fb \cdot 1/EJ + 1 \cdot 0 \cdot 1/4 \cdot Fb^2/EJ = 3/8 \cdot Fb^2/EJ$$

$$L_{AD}^{xo} = \int_0^{2b} (-1/4 x/b) \cdot Fb \cdot 1/EJ \, dx = \left[-1/8 x^2/b \right]_0^{2b} \cdot Fb \cdot 1/EJ$$

$$= (-1/2 b) \cdot Fb \cdot 1/EJ = -1/2 \cdot Fb^2/EJ$$

$$L_{DA}^{xo} = \int_0^{2b} (-1/2 + 1/4 x/b) \cdot Fb \cdot 1/EJ \, dx = \left[-1/2 x + 1/8 x^2/b \right]_0^{2b} \cdot Fb \cdot 1/EJ$$

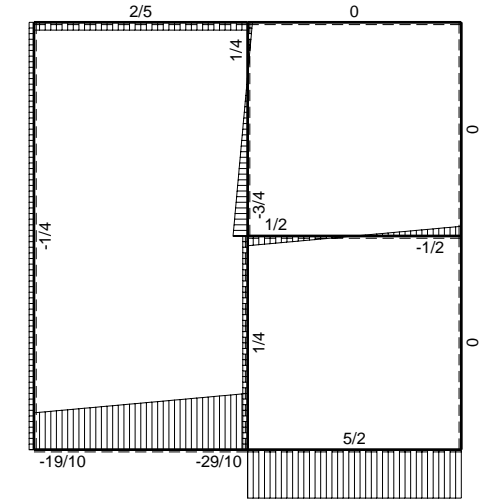
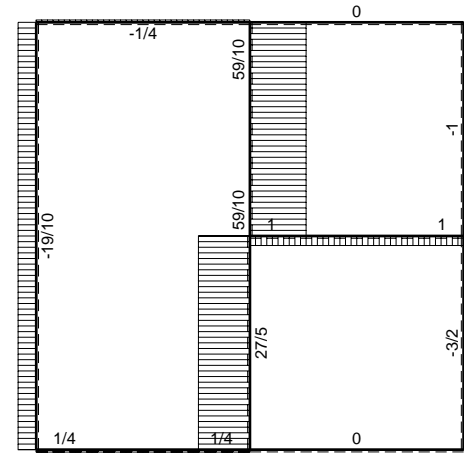
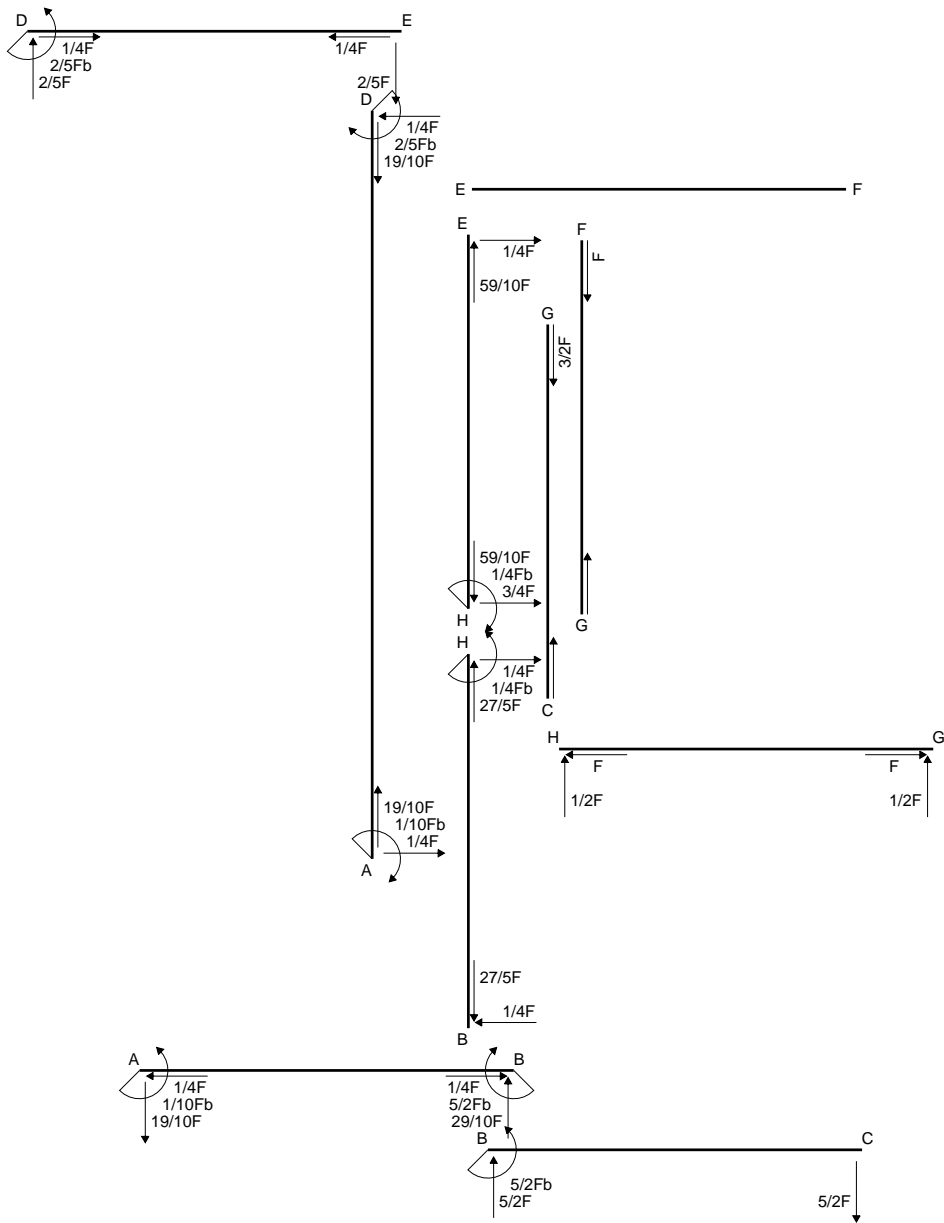
$$= (-b + 1/2 b) \cdot Fb \cdot 1/EJ = -1/2 \cdot Fb^2/EJ$$

$$L_{DE}^{xo} = \int_0^b (-1/2 + x/b - 1/2 x^2/b^2) \cdot Fb \cdot 1/EJ \, dx = \left[-1/2 x + 1/2 x^2/b - 1/6 x^3/b^2 \right]_0^b \cdot Fb \cdot 1/EJ$$

$$= (-1/2 b + 1/2 b - 1/6 b) \cdot Fb \cdot 1/EJ = -1/6 \cdot Fb^2/EJ$$

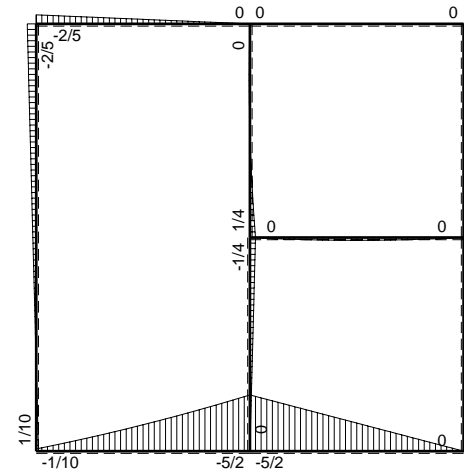
$$L_{ED}^{xo} = \int_0^b (-1/2 x^2/b^2) \cdot Fb \cdot 1/EJ \, dx = \left[-1/6 x^3/b^2 \right]_0^b \cdot Fb \cdot 1/EJ$$

$$= (-1/6 b) \cdot Fb \cdot 1/EJ = -1/6 \cdot Fb^2/EJ$$

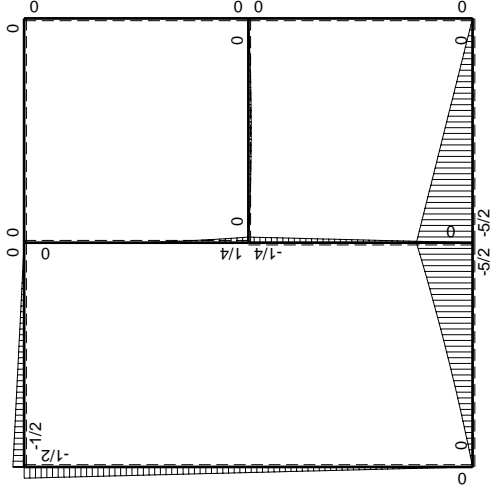
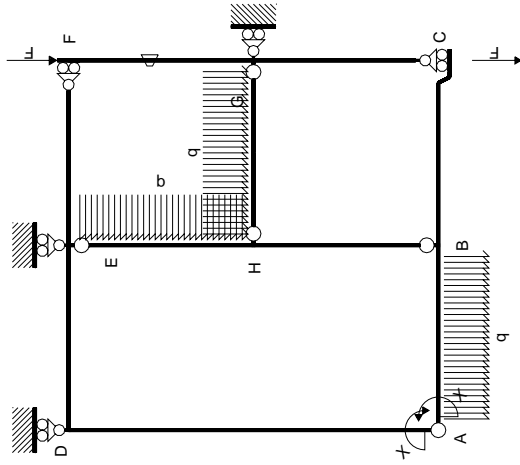


← ⊕ → F

↑ ⊕ ↓ F

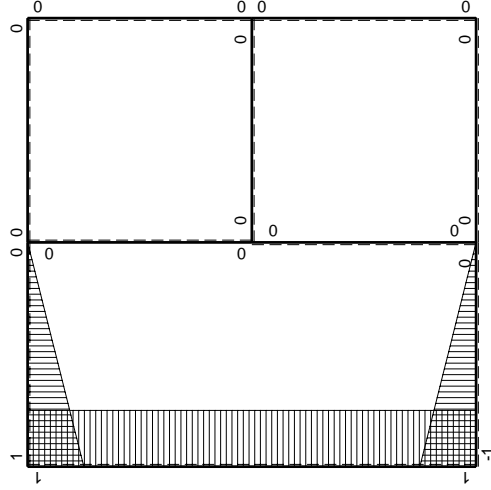


⊕ ⊙ F_b



Schema di calcolo iperstatico

M_0 flessione da carichi assegnati



M_x flessione da iperstatica X=1

Quadro contributi PLV per iperstatica $X=W_{AB}$

→	$M_x(x)$	$M_o(x)$	θ	$M_x M_o$	$M_x \theta$	$M_x M_x$	$\int M_x(M_o/EJ+\theta)dx$	$\int X M_x M_x/EJ dx$
AB b	$-1+x/b$	$-2Fx-1/2qx^2$	0	$2Fx-3/2Fx^2/b-1/2qx^3/b$	0	$1-2x/b+x^2/b^2$	$(3/8+0)Fb^2/EJ$	$1/3Xb/EJ$
BA b	x/b	$5/2Fb-3Fx+1/2qx^2$	0	$5/2Fx-3Fx^2/b+1/2qx^3/b$	0	x^2/b^2		
BC b	0	$-5/2Fb+5/2Fx$	0	0	0	0	0+0	0
CB b	0	$5/2Fx$	0	0	0	0		
AD 2b	1	$-1/4Fx$	0	$-1/4Fx$	0	1	$(-1/2+0)Fb^2/EJ$	$2Xb/EJ$
DA 2b	-1	$1/2Fb-1/4Fx$	0	$-1/2Fb+1/4Fx$	0	1		
DE b	$1-x/b$	$-1/2Fb+1/2Fx$	0	$-1/2Fb+Fx-1/2Fx^2/b$	0	$1-2x/b+x^2/b^2$	$(-1/6+0)Fb^2/EJ$	$1/3Xb/EJ$
ED b	$-x/b$	$1/2Fx$	0	$-1/2Fx^2/b$	0	x^2/b^2		
EF b	0	0	0	0	0	0	0+0	0
FE b	0	0	0	0	0	0		
FG b	0	0	$-Fb/EJ$	0	0	0	0+0	0
GF b	0	0	Fb/EJ	0	0	0		
GC b	0	0	0	0	0	0	0+0	0
CG b	0	0	0	0	0	0		
HG b	0	$1/2Fx-1/2qx^2$	0	0	0	0	0+0	0
GH b	0	$-1/2Fx+1/2qx^2$	0	0	0	0		
HB b	0	$-1/4Fb+1/4Fx$	0	0	0	0	0+0	0
BH b	0	$1/4Fx$	0	0	0	0		
HE b	0	$1/4Fb-3/4Fx+1/2qx^2$	0	0	0	0	0+0	0
EH b	0	$1/4Fx-1/2qx^2$	0	0	0	0		
AB	molla asta $-W_{1AB}(W_{0AB}+XW_{1AB})/k_{AB}$							$1/4Xb/EJ$
	totali						$-7/24Fb^2/EJ$	$35/12Xb/EJ$
	iperstatica $X=W_{AB}$						$1/10Fb$	

Sviluppi di calcolo iperstatica

$$L_{AB}^{xx} = \int_0^b (1 - 2x/b + x^2/b^2) \cdot 1/EJ \, dx + 1 \cdot 1/4 \cdot b/EJ = \left[x - x^2/b + 1/3 x^3/b^2 \right]_0^b \cdot 1/EJ + 1 \cdot 1/4 \cdot b/EJ$$

$$= (b - b + 1/3 b) \cdot 1/EJ + 1 \cdot 1/4 \cdot b/EJ = 7/12 \cdot b/EJ$$

$$L_{BA}^{xx} = \int_0^b (x^2/b^2) \cdot 1/EJ \, dx + 1 \cdot 1/4 \cdot b/EJ = \left[1/3 x^3/b^2 \right]_0^b \cdot 1/EJ + 1 \cdot 1/4 \cdot b/EJ$$

$$= (1/3 b) \cdot 1/EJ + 1 \cdot 1/4 \cdot b/EJ = 7/12 \cdot b/EJ$$

$$L_{AD}^{xx} = \int_0^{2b} (1) \cdot 1/EJ \, dx = \left[x \right]_0^{2b} \cdot 1/EJ$$

$$= (2b) \cdot 1/EJ = 2 \cdot b/EJ$$

$$L_{DA}^{xx} = \int_0^{2b} (1) \cdot 1/EJ \, dx = \left[x \right]_0^{2b} \cdot 1/EJ$$

$$= (2b) \cdot 1/EJ = 2 \cdot b/EJ$$

$$L_{DE}^{xx} = \int_0^b (1 - 2x/b + x^2/b^2) \cdot 1/EJ \, dx = \left[x - x^2/b + 1/3 x^3/b^2 \right]_0^b \cdot 1/EJ$$

$$= (b - b + 1/3 b) \cdot 1/EJ = 1/3 \cdot b/EJ$$

$$L_{ED}^{xx} = \int_0^b (x^2/b^2) \cdot 1/EJ \, dx = \left[1/3 x^3/b^2 \right]_0^b \cdot 1/EJ$$

$$= (1/3 b) \cdot 1/EJ = 1/3 \cdot b/EJ$$

$$L_{AB}^{xo} = \int_0^b (2x/b - 3/2 x^2/b^2 - 1/2 x^3/b^3) \cdot Fb \cdot 1/EJ \, dx + 1 \cdot 0 \cdot 1/4 \cdot Fb^2/EJ$$

$$= \left[x^2/b - 1/2 x^3/b^2 - 1/8 x^4/b^3 \right]_0^b \cdot Fb \cdot 1/EJ + 1 \cdot 0 \cdot 1/4 \cdot Fb^2/EJ$$

$$= (b - 1/2 b - 1/8 b) \cdot Fb \cdot 1/EJ + 1 \cdot 0 \cdot 1/4 \cdot Fb^2/EJ = 3/8 \cdot Fb^2/EJ$$

$$L_{BA}^{xo} = \int_0^b (5/2 x/b - 3 x^2/b^2 + 1/2 x^3/b^3) \cdot Fb \cdot 1/EJ \, dx + 1 \cdot 0 \cdot 1/4 \cdot Fb^2/EJ$$

$$= \left[5/4 x^2/b - x^3/b^2 + 1/8 x^4/b^3 \right]_0^b \cdot Fb \cdot 1/EJ + 1 \cdot 0 \cdot 1/4 \cdot Fb^2/EJ$$

$$= (5/4 b - b + 1/8 b) \cdot Fb \cdot 1/EJ + 1 \cdot 0 \cdot 1/4 \cdot Fb^2/EJ = 3/8 \cdot Fb^2/EJ$$

$$L_{AD}^{xo} = \int_0^{2b} (-1/4 x/b) \cdot Fb \cdot 1/EJ \, dx = \left[-1/8 x^2/b \right]_0^{2b} \cdot Fb \cdot 1/EJ$$

$$= (-1/2 b) \cdot Fb \cdot 1/EJ = -1/2 \cdot Fb^2/EJ$$

$$L_{DA}^{xo} = \int_0^{2b} (-1/2 + 1/4 x/b) \cdot Fb \cdot 1/EJ \, dx = \left[-1/2 x + 1/8 x^2/b \right]_0^{2b} \cdot Fb \cdot 1/EJ$$

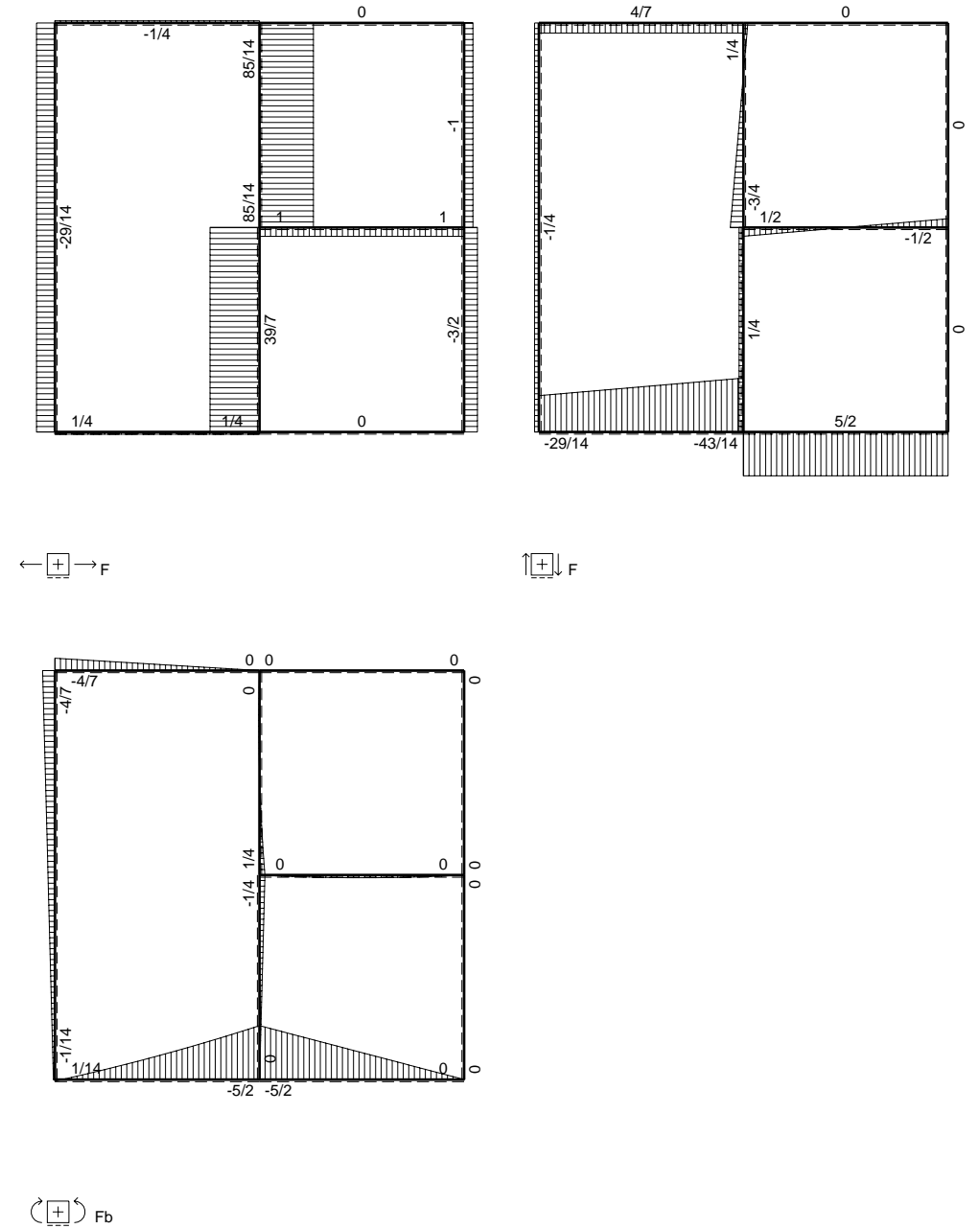
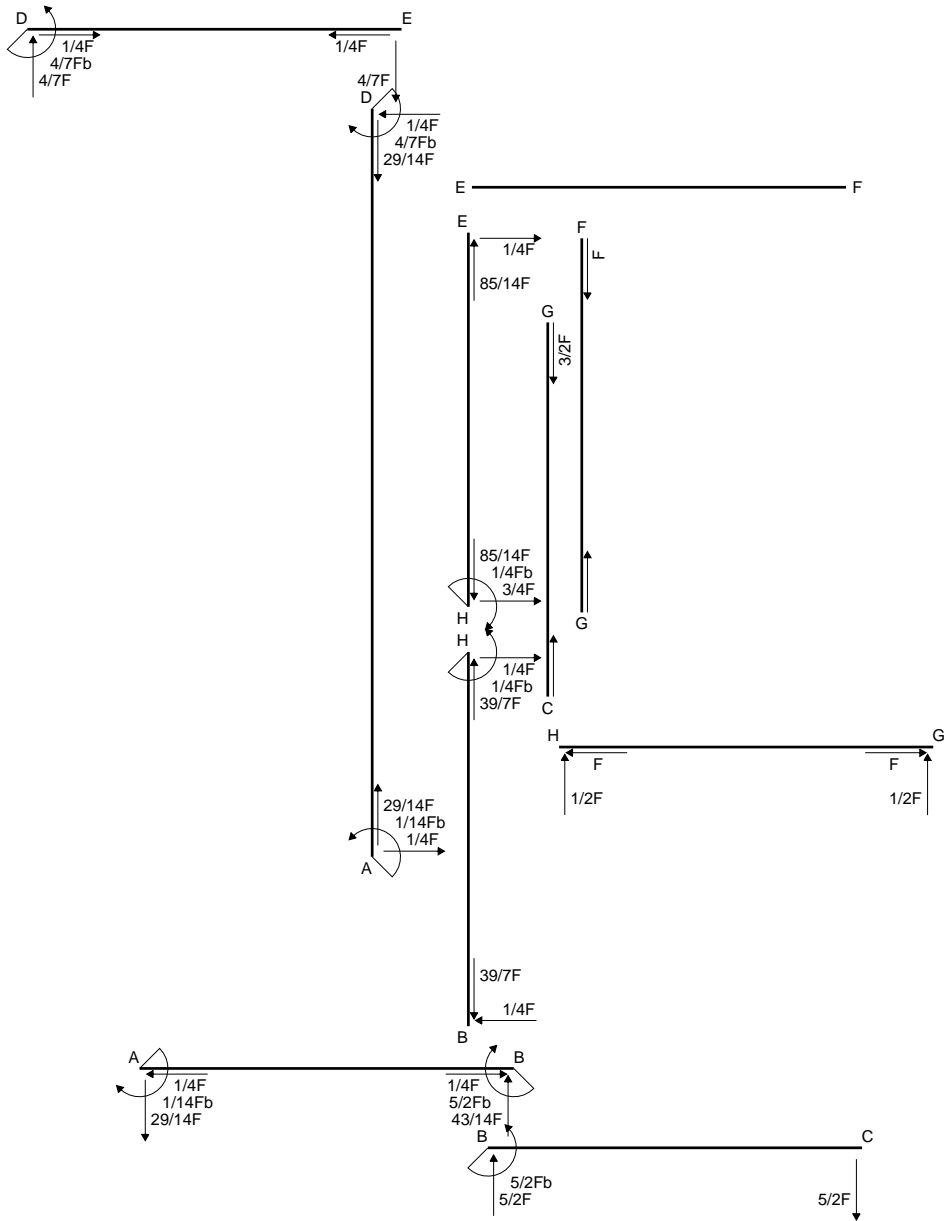
$$= (-b + 1/2 b) \cdot Fb \cdot 1/EJ = -1/2 \cdot Fb^2/EJ$$

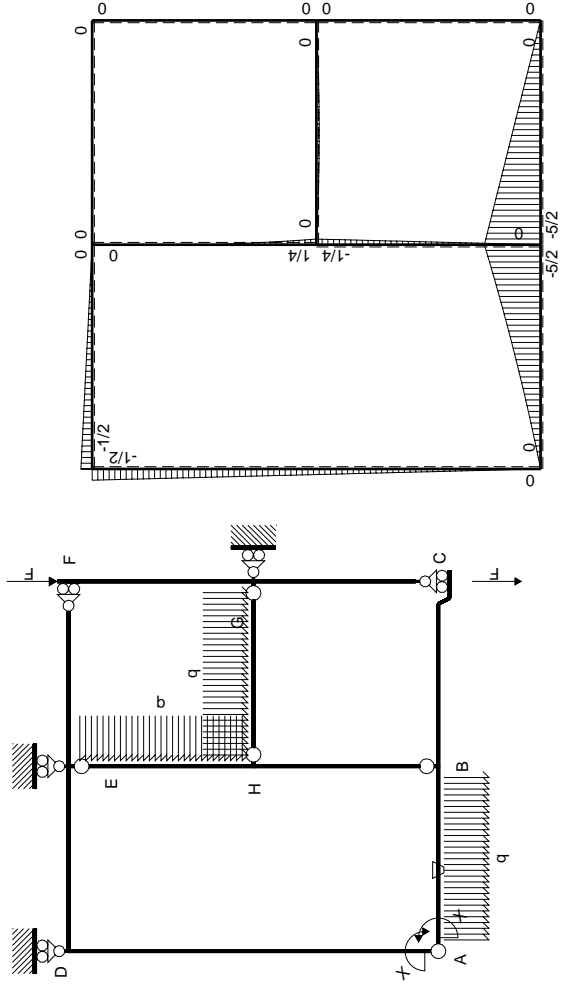
$$L_{DE}^{xo} = \int_0^b (-1/2 + x/b - 1/2 x^2/b^2) \cdot Fb \cdot 1/EJ \, dx = \left[-1/2 x + 1/2 x^2/b - 1/6 x^3/b^2 \right]_0^b \cdot Fb \cdot 1/EJ$$

$$= (-1/2 b + 1/2 b - 1/6 b) \cdot Fb \cdot 1/EJ = -1/6 \cdot Fb^2/EJ$$

$$L_{ED}^{xo} = \int_0^b (-1/2 x^2/b^2) \cdot Fb \cdot 1/EJ \, dx = \left[-1/6 x^3/b^2 \right]_0^b \cdot Fb \cdot 1/EJ$$

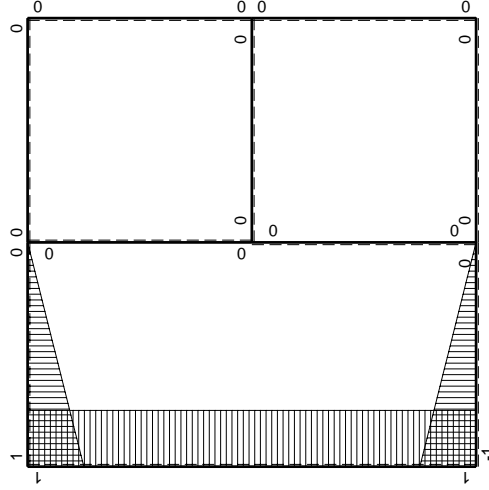
$$= (-1/6 b) \cdot Fb \cdot 1/EJ = -1/6 \cdot Fb^2/EJ$$





Schema di calcolo iperstatico

M_0 flessione da carichi assegnati



M_x flessione da iperstatica $X=1$

Quadro contributi PLV per iperstatica $X=W_{AB}$

→	$M_x(x)$	$M_o(x)$	θ	$M_x M_o$	$M_x \theta$	$M_x M_x$	$\int M_x(M_o/EJ+\theta)dx$	$\int X M_x M_x/EJ dx$	
AB b	$-1+x/b$	$-2Fx-1/2qx^2$	$-Fb/EJ$	$2Fx-3/2Fx^2/b-1/2qx^3/b$	$Fb/EJ-Fx/EJ$	$1-2x/b+x^2/b^2$	$(3/8+1/2)Fb^2/EJ$	$1/3Xb/EJ$	
BA b	x/b	$5/2Fb-3Fx+1/2qx^2$	Fb/EJ	$5/2Fx-3Fx^2/b+1/2qx^3/b$	Fx/EJ	x^2/b^2			
BC b	0	$-5/2Fb+5/2Fx$	0	0	0	0	0+0	0	
CB b	0	$5/2Fx$	0	0	0	0			
AD 2b	1	$-1/4Fx$	0	$-1/4Fx$	0	1	$(-1/2+0)Fb^2/EJ$	$2Xb/EJ$	
DA 2b	-1	$1/2Fb-1/4Fx$	0	$-1/2Fb+1/4Fx$	0	1			
DE b	$1-x/b$	$-1/2Fb+1/2Fx$	0	$-1/2Fb+Fx-1/2Fx^2/b$	0	$1-2x/b+x^2/b^2$	$(-1/6+0)Fb^2/EJ$	$1/3Xb/EJ$	
ED b	$-x/b$	$1/2Fx$	0	$-1/2Fx^2/b$	0	x^2/b^2			
EF b	0	0	0	0	0	0	0+0	0	
FE b	0	0	0	0	0	0			
FG b	0	0	0	0	0	0	0+0	0	
GF b	0	0	0	0	0	0			
GC b	0	0	0	0	0	0	0+0	0	
CG b	0	0	0	0	0	0			
HG b	0	$1/2Fx-1/2qx^2$	0	0	0	0	0+0	0	
GH b	0	$-1/2Fx+1/2qx^2$	0	0	0	0			
HB b	0	$-1/4Fb+1/4Fx$	0	0	0	0	0+0	0	
BH b	0	$1/4Fx$	0	0	0	0			
HE b	0	$1/4Fb-3/4Fx+1/2qx^2$	0	0	0	0	0+0	0	
EH b	0	$1/4Fx-1/2qx^2$	0	0	0	0			
AB	molla asta $-W_{1AB}(W_{0AB}+XW_{1AB})/k_{AB}$								$1/4Xb/EJ$
	totali							$5/24Fb^2/EJ$	$35/12Xb/EJ$
	iperstatica $X=W_{AB}$							$-1/14Fb$	

Sviluppi di calcolo iperstatica

$$L_{AB}^{xx} = \int_0^b (1 - 2x/b + x^2/b^2) \cdot 1/EJ \, dx + 1 \cdot 1/4 \cdot b/EJ = \left[x - x^2/b + 1/3 x^3/b^2 \right]_0^b \cdot 1/EJ + 1 \cdot 1/4 \cdot b/EJ$$

$$= (b - b + 1/3 b) \cdot 1/EJ + 1 \cdot 1/4 \cdot b/EJ = 7/12 \cdot b/EJ$$

$$L_{BA}^{xx} = \int_0^b (x^2/b^2) \cdot 1/EJ \, dx + 1 \cdot 1/4 \cdot b/EJ = \left[1/3 x^3/b^2 \right]_0^b \cdot 1/EJ + 1 \cdot 1/4 \cdot b/EJ$$

$$= (1/3 b) \cdot 1/EJ + 1 \cdot 1/4 \cdot b/EJ = 7/12 \cdot b/EJ$$

$$L_{AD}^{xx} = \int_0^{2b} (1) \cdot 1/EJ \, dx = \left[x \right]_0^{2b} \cdot 1/EJ$$

$$= (2b) \cdot 1/EJ = 2 \cdot b/EJ$$

$$L_{DA}^{xx} = \int_0^{2b} (1) \cdot 1/EJ \, dx = \left[x \right]_0^{2b} \cdot 1/EJ$$

$$= (2b) \cdot 1/EJ = 2 \cdot b/EJ$$

$$L_{DE}^{xx} = \int_0^b (1 - 2x/b + x^2/b^2) \cdot 1/EJ \, dx = \left[x - x^2/b + 1/3 x^3/b^2 \right]_0^b \cdot 1/EJ$$

$$= (b - b + 1/3 b) \cdot 1/EJ = 1/3 \cdot b/EJ$$

$$L_{ED}^{xx} = \int_0^b (x^2/b^2) \cdot 1/EJ \, dx = \left[1/3 x^3/b^2 \right]_0^b \cdot 1/EJ$$

$$= (1/3 b) \cdot 1/EJ = 1/3 \cdot b/EJ$$

$$L_{AB}^{xo} = \int_0^b (2x/b - 3/2 x^2/b^2 - 1/2 x^3/b^3) \cdot Fb \cdot 1/EJ \, dx + \int_0^b (1 - x/b) \cdot \theta \, dx + 1 \cdot 0 \cdot 1/4 \cdot Fb^2/EJ$$

$$= \left[x^2/b - 1/2 x^3/b^2 - 1/8 x^4/b^3 \right]_0^b \cdot Fb \cdot 1/EJ + \left[x - 1/2 x^2/b \right]_0^b \cdot \theta + 1 \cdot 0 \cdot 1/4 \cdot Fb^2/EJ$$

$$= (b - 1/2 b - 1/8 b) \cdot Fb \cdot 1/EJ + (b - 1/2 b) \cdot \theta + 1 \cdot 0 \cdot 1/4 \cdot Fb^2/EJ = 7/8 \cdot Fb^2/EJ$$

$$L_{BA}^{xo} = \int_0^b (5/2 x/b - 3 x^2/b^2 + 1/2 x^3/b^3) \cdot Fb \cdot 1/EJ \, dx + \int_0^b (-x/b) \cdot \theta \, dx + 1 \cdot 0 \cdot 1/4 \cdot Fb^2/EJ$$

$$= \left[5/4 x^2/b - x^3/b^2 + 1/8 x^4/b^3 \right]_0^b \cdot Fb \cdot 1/EJ + \left[-1/2 x^2/b \right]_0^b \cdot \theta + 1 \cdot 0 \cdot 1/4 \cdot Fb^2/EJ$$

$$= (5/4 b - b + 1/8 b) \cdot Fb \cdot 1/EJ + (-1/2 b) \cdot \theta + 1 \cdot 0 \cdot 1/4 \cdot Fb^2/EJ = 7/8 \cdot Fb^2/EJ$$

$$L_{AD}^{xo} = \int_0^{2b} (-1/4 x/b) \cdot Fb \cdot 1/EJ \, dx = \left[-1/8 x^2/b \right]_0^{2b} \cdot Fb \cdot 1/EJ$$

$$= (-1/2 b) \cdot Fb \cdot 1/EJ = -1/2 \cdot Fb^2/EJ$$

$$L_{DA}^{xo} = \int_0^{2b} (-1/2 + 1/4 x/b) \cdot Fb \cdot 1/EJ \, dx = \left[-1/2 x + 1/8 x^2/b \right]_0^{2b} \cdot Fb \cdot 1/EJ$$

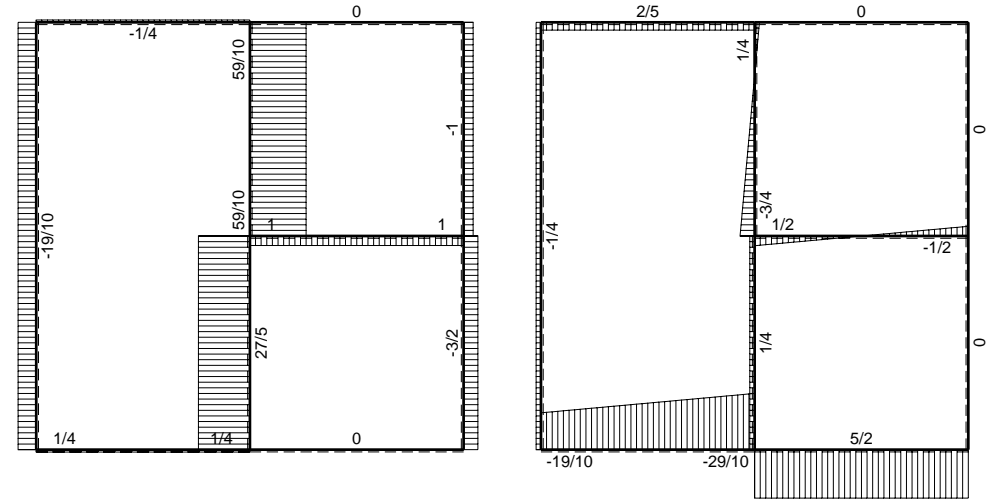
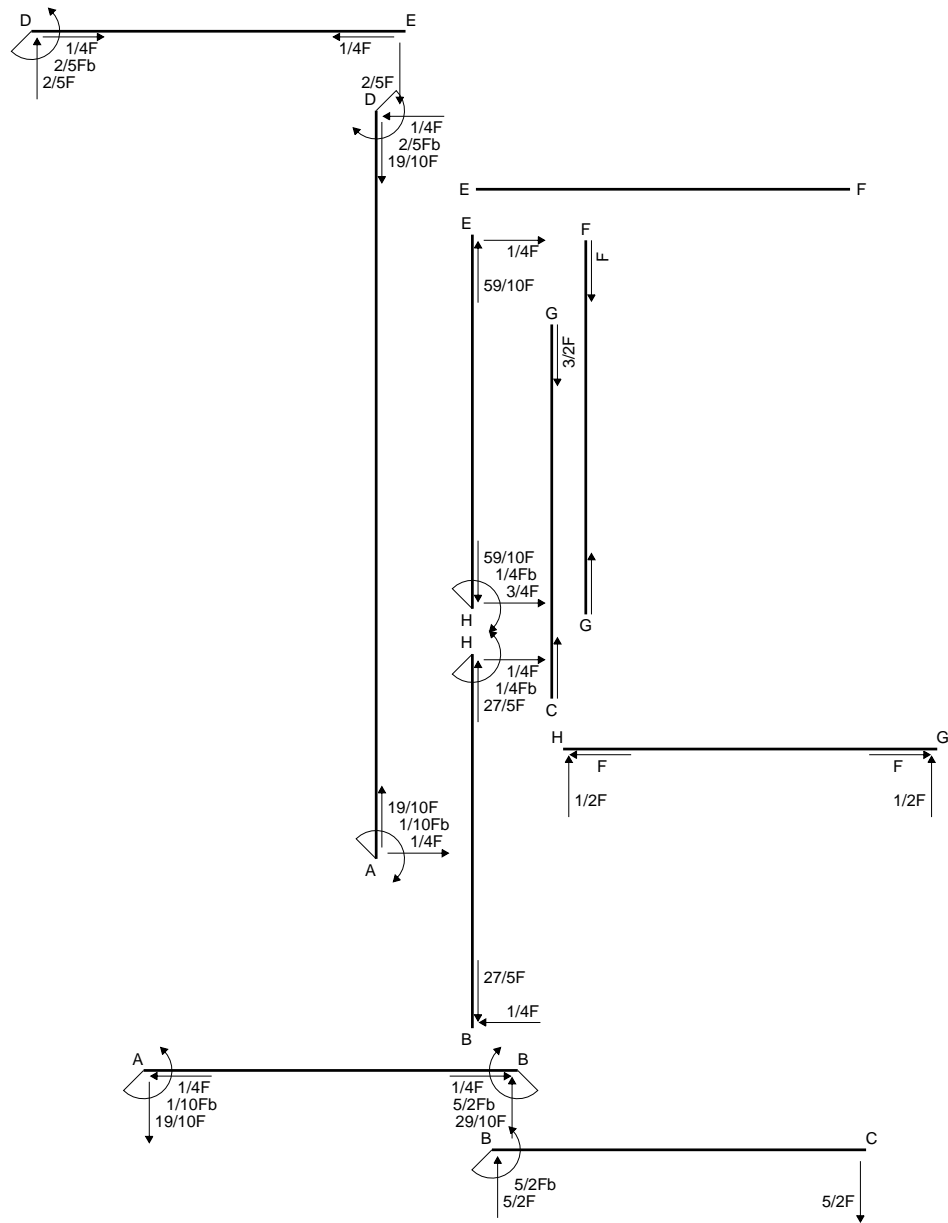
$$= (-b + 1/2 b) \cdot Fb \cdot 1/EJ = -1/2 \cdot Fb^2/EJ$$

$$L_{DE}^{xo} = \int_0^b (-1/2 + x/b - 1/2 x^2/b^2) \cdot Fb \cdot 1/EJ \, dx = \left[-1/2 x + 1/2 x^2/b - 1/6 x^3/b^2 \right]_0^b \cdot Fb \cdot 1/EJ$$

$$= (-1/2 b + 1/2 b - 1/6 b) \cdot Fb \cdot 1/EJ = -1/6 \cdot Fb^2/EJ$$

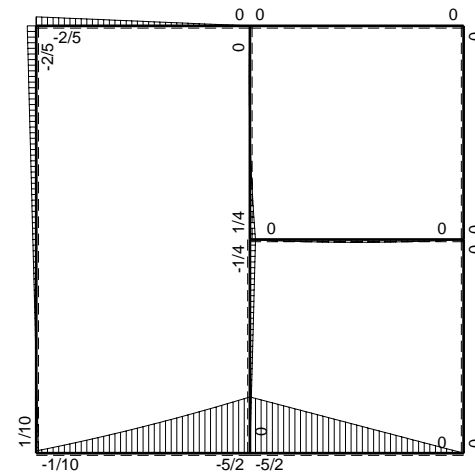
$$L_{ED}^{xo} = \int_0^b (-1/2 x^2/b^2) \cdot Fb \cdot 1/EJ \, dx = \left[-1/6 x^3/b^2 \right]_0^b \cdot Fb \cdot 1/EJ$$

$$= (-1/6 b) \cdot Fb \cdot 1/EJ = -1/6 \cdot Fb^2/EJ$$

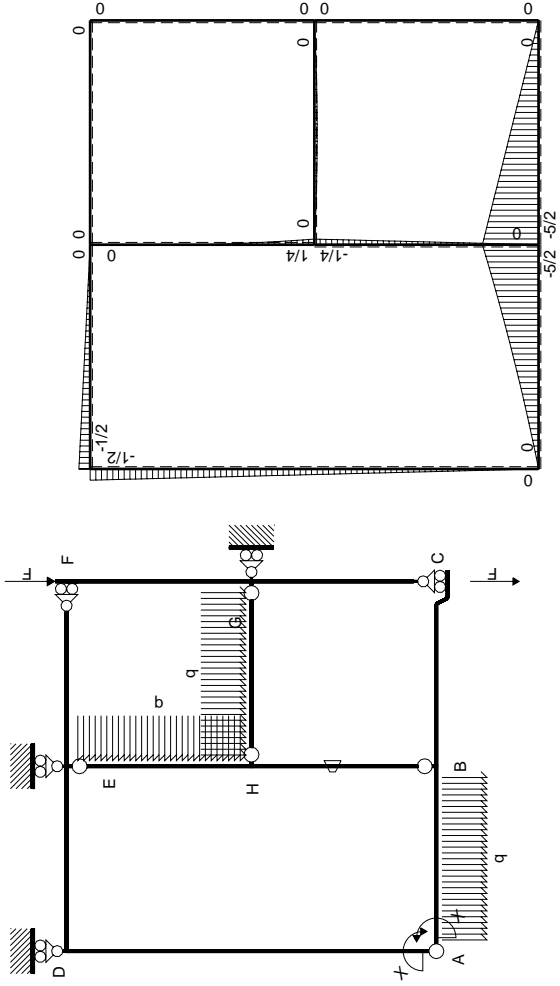


← ⊕ → F

↑ ⊕ ↓ F

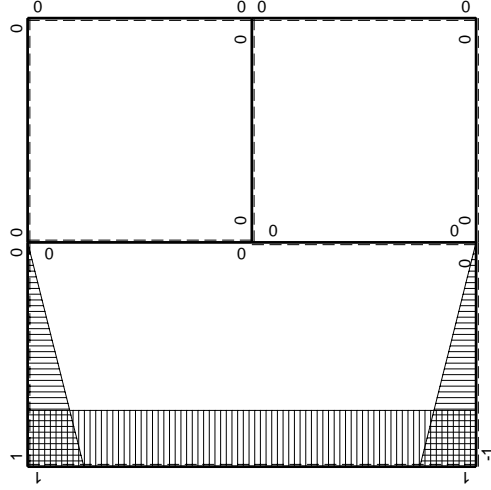


⊕ ⊖ F_b



Schema di calcolo iperstatico

M_0 flessione da carichi assegnati



M_x flessione da iperstatica $X=1$

Quadro contributi PLV per iperstatica $X=W_{AB}$

→	$M_x(x)$	$M_o(x)$	θ	$M_x M_o$	$M_x \theta$	$M_x M_x$	$\int M_x(M_o/EJ+\theta)dx$	$\int X M_x M_x/EJ dx$
AB b	$-1+x/b$	$-2Fx-1/2qx^2$	0	$2Fx-3/2Fx^2/b-1/2qx^3/b$	0	$1-2x/b+x^2/b^2$	$(3/8+0)Fb^2/EJ$	$1/3Xb/EJ$
BA b	x/b	$5/2Fb-3Fx+1/2qx^2$	0	$5/2Fx-3Fx^2/b+1/2qx^3/b$	0	x^2/b^2		
BC b	0	$-5/2Fb+5/2Fx$	0	0	0	0	0+0	0
CB b	0	$5/2Fx$	0	0	0	0		
AD 2b	1	$-1/4Fx$	0	$-1/4Fx$	0	1	$(-1/2+0)Fb^2/EJ$	$2Xb/EJ$
DA 2b	-1	$1/2Fb-1/4Fx$	0	$-1/2Fb+1/4Fx$	0	1		
DE b	$1-x/b$	$-1/2Fb+1/2Fx$	0	$-1/2Fb+Fx-1/2Fx^2/b$	0	$1-2x/b+x^2/b^2$	$(-1/6+0)Fb^2/EJ$	$1/3Xb/EJ$
ED b	$-x/b$	$1/2Fx$	0	$-1/2Fx^2/b$	0	x^2/b^2		
EF b	0	0	0	0	0	0	0+0	0
FE b	0	0	0	0	0	0		
FG b	0	0	0	0	0	0	0+0	0
GF b	0	0	0	0	0	0		
GC b	0	0	0	0	0	0	0+0	0
CG b	0	0	0	0	0	0		
HG b	0	$1/2Fx-1/2qx^2$	0	0	0	0	0+0	0
GH b	0	$-1/2Fx+1/2qx^2$	0	0	0	0		
HB b	0	$-1/4Fb+1/4Fx$	$-Fb/EJ$	0	0	0	0+0	0
BH b	0	$1/4Fx$	Fb/EJ	0	0	0		
HE b	0	$1/4Fb-3/4Fx+1/2qx^2$	0	0	0	0	0+0	0
EH b	0	$1/4Fx-1/2qx^2$	0	0	0	0		
AB	molla asta $-W_{1AB}(W_{0AB}+XW_{1AB})/k_{AB}$							$1/4Xb/EJ$
	totali						$-7/24Fb^2/EJ$	$35/12Xb/EJ$
	iperstatica $X=W_{AB}$						$1/10Fb$	

Sviluppi di calcolo iperstatica

$$L_{AB}^{xx} = \int_0^b (1 - 2x/b + x^2/b^2) \frac{1}{EJ} dx + 1 \cdot 1 \cdot \frac{1}{4} \frac{b}{EJ} = \left[x - x^2/b + 1/3 x^3/b^2 \right]_0^b \frac{1}{EJ} + 1 \cdot 1 \cdot \frac{1}{4} \frac{b}{EJ}$$

$$= (b - b + 1/3 b) \frac{1}{EJ} + 1 \cdot 1 \cdot \frac{1}{4} \frac{b}{EJ} = 7/12 \frac{b}{EJ}$$

$$L_{BA}^{xx} = \int_0^b (x^2/b^2) \frac{1}{EJ} dx + 1 \cdot 1 \cdot \frac{1}{4} \frac{b}{EJ} = \left[1/3 x^3/b^2 \right]_0^b \frac{1}{EJ} + 1 \cdot 1 \cdot \frac{1}{4} \frac{b}{EJ}$$

$$= (1/3 b) \frac{1}{EJ} + 1 \cdot 1 \cdot \frac{1}{4} \frac{b}{EJ} = 7/12 \frac{b}{EJ}$$

$$L_{AD}^{xx} = \int_0^{2b} (1) \frac{1}{EJ} dx = \left[x \right]_0^{2b} \frac{1}{EJ}$$

$$= (2b) \frac{1}{EJ} = 2 \frac{b}{EJ}$$

$$L_{DA}^{xx} = \int_0^{2b} (1) \frac{1}{EJ} dx = \left[x \right]_0^{2b} \frac{1}{EJ}$$

$$= (2b) \frac{1}{EJ} = 2 \frac{b}{EJ}$$

$$L_{DE}^{xx} = \int_0^b (1 - 2x/b + x^2/b^2) \frac{1}{EJ} dx = \left[x - x^2/b + 1/3 x^3/b^2 \right]_0^b \frac{1}{EJ}$$

$$= (b - b + 1/3 b) \frac{1}{EJ} = 1/3 \frac{b}{EJ}$$

$$L_{ED}^{xx} = \int_0^b (x^2/b^2) \frac{1}{EJ} dx = \left[1/3 x^3/b^2 \right]_0^b \frac{1}{EJ}$$

$$= (1/3 b) \frac{1}{EJ} = 1/3 \frac{b}{EJ}$$

$$L_{AB}^{xo} = \int_0^b (2x/b - 3/2 x^2/b^2 - 1/2 x^3/b^3) Fb \frac{1}{EJ} dx + 1 \cdot 0 \cdot \frac{1}{4} \frac{Fb^2}{EJ}$$

$$= \left[x^2/b - 1/2 x^3/b^2 - 1/8 x^4/b^3 \right]_0^b Fb \frac{1}{EJ} + 1 \cdot 0 \cdot \frac{1}{4} \frac{Fb^2}{EJ}$$

$$= (b - 1/2 b - 1/8 b) Fb \frac{1}{EJ} + 1 \cdot 0 \cdot \frac{1}{4} \frac{Fb^2}{EJ} = 3/8 \frac{Fb^2}{EJ}$$

$$L_{BA}^{xo} = \int_0^b (5/2 x/b - 3 x^2/b^2 + 1/2 x^3/b^3) Fb \frac{1}{EJ} dx + 1 \cdot 0 \cdot \frac{1}{4} \frac{Fb^2}{EJ}$$

$$= \left[5/4 x^2/b - x^3/b^2 + 1/8 x^4/b^3 \right]_0^b Fb \frac{1}{EJ} + 1 \cdot 0 \cdot \frac{1}{4} \frac{Fb^2}{EJ}$$

$$= (5/4 b - b + 1/8 b) Fb \frac{1}{EJ} + 1 \cdot 0 \cdot \frac{1}{4} \frac{Fb^2}{EJ} = 3/8 \frac{Fb^2}{EJ}$$

$$L_{AD}^{xo} = \int_0^{2b} (-1/4 x/b) Fb \frac{1}{EJ} dx = \left[-1/8 x^2/b \right]_0^{2b} Fb \frac{1}{EJ}$$

$$= (-1/2 b) Fb \frac{1}{EJ} = -1/2 \frac{Fb^2}{EJ}$$

$$L_{DA}^{xo} = \int_0^{2b} (-1/2 + 1/4 x/b) Fb \frac{1}{EJ} dx = \left[-1/2 x + 1/8 x^2/b \right]_0^{2b} Fb \frac{1}{EJ}$$

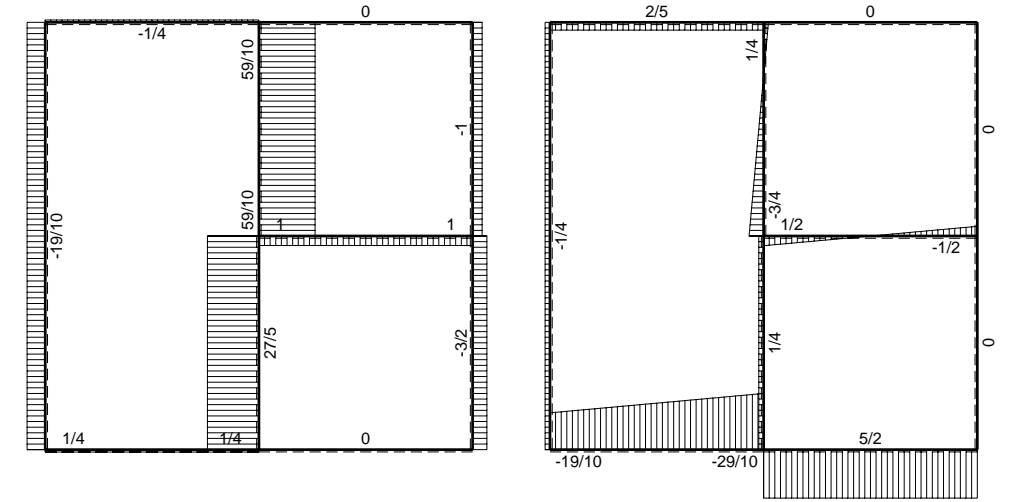
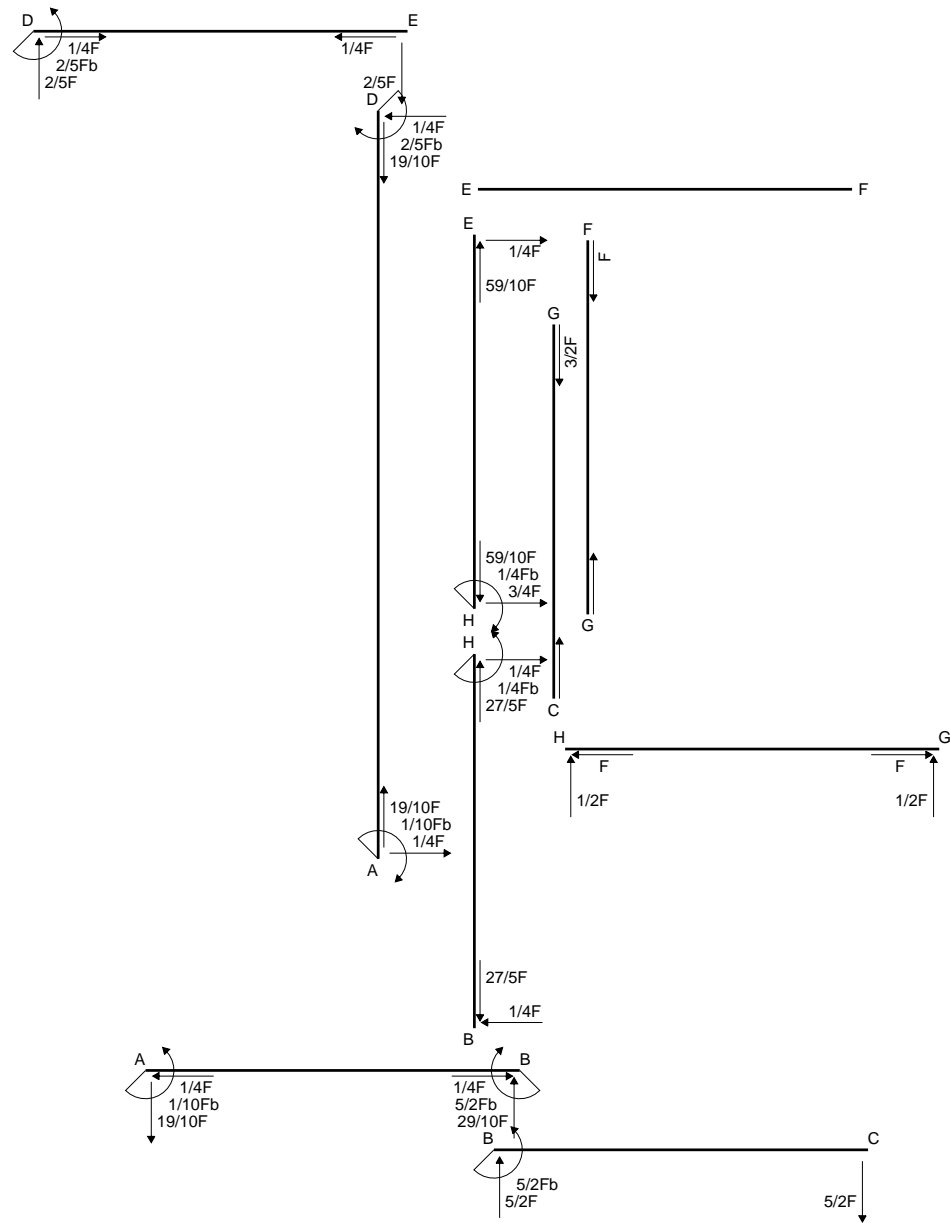
$$= (-b + 1/2 b) Fb \frac{1}{EJ} = -1/2 \frac{Fb^2}{EJ}$$

$$L_{DE}^{xo} = \int_0^b (-1/2 + x/b - 1/2 x^2/b^2) Fb \frac{1}{EJ} dx = \left[-1/2 x + 1/2 x^2/b - 1/6 x^3/b^2 \right]_0^b Fb \frac{1}{EJ}$$

$$= (-1/2 b + 1/2 b - 1/6 b) Fb \frac{1}{EJ} = -1/6 \frac{Fb^2}{EJ}$$

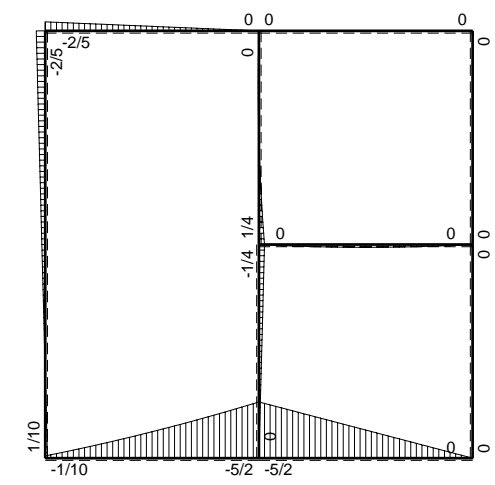
$$L_{ED}^{xo} = \int_0^b (-1/2 x^2/b^2) Fb \frac{1}{EJ} dx = \left[-1/6 x^3/b^2 \right]_0^b Fb \frac{1}{EJ}$$

$$= (-1/6 b) Fb \frac{1}{EJ} = -1/6 \frac{Fb^2}{EJ}$$

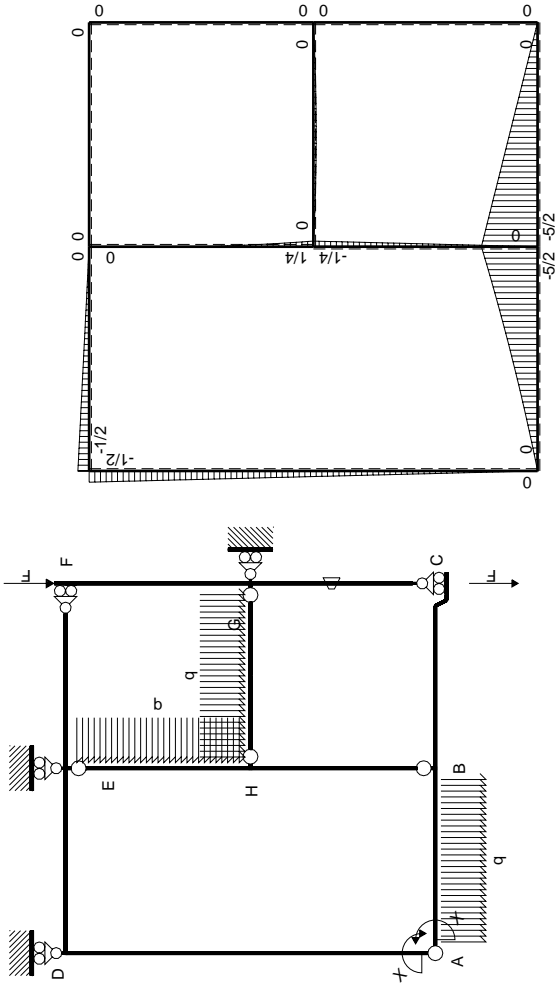


← (+) → F

↑ (+) ↓ Fb

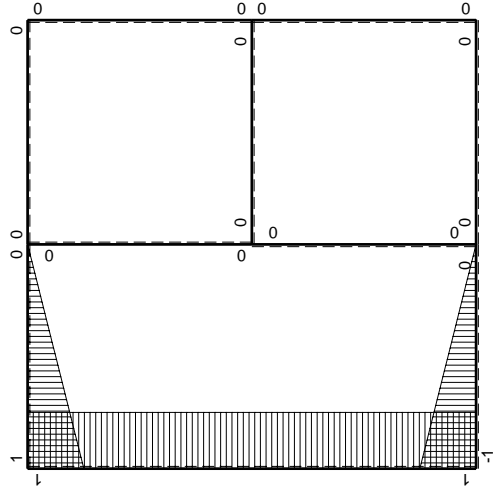


⊕ (+) ⊖ (-) Fb



Schema di calcolo iperstatico

M_0 flessione da carichi assegnati



M_x flessione da iperstatica $X=1$

Quadro contributi PLV per iperstatica $X=W_{AB}$

→	$M_x(x)$	$M_o(x)$	θ	$M_x M_o$	$M_x \theta$	$M_x M_x$	$\int M_x(M_o/EJ+\theta)dx$	$\int X M_x M_x/EJ dx$
AB b	$-1+x/b$	$-2Fx-1/2qx^2$	0	$2Fx-3/2Fx^2/b-1/2qx^3/b$	0	$1-2x/b+x^2/b^2$	$(3/8+0)Fb^2/EJ$	$1/3Xb/EJ$
BA b	x/b	$5/2Fb-3Fx+1/2qx^2$	0	$5/2Fx-3Fx^2/b+1/2qx^3/b$	0	x^2/b^2		
BC b	0	$-5/2Fb+5/2Fx$	0	0	0	0	0+0	0
CB b	0	$5/2Fx$	0	0	0	0		
AD 2b	1	$-1/4Fx$	0	$-1/4Fx$	0	1	$(-1/2+0)Fb^2/EJ$	$2Xb/EJ$
DA 2b	-1	$1/2Fb-1/4Fx$	0	$-1/2Fb+1/4Fx$	0	1		
DE b	$1-x/b$	$-1/2Fb+1/2Fx$	0	$-1/2Fb+Fx-1/2Fx^2/b$	0	$1-2x/b+x^2/b^2$	$(-1/6+0)Fb^2/EJ$	$1/3Xb/EJ$
ED b	$-x/b$	$1/2Fx$	0	$-1/2Fx^2/b$	0	x^2/b^2		
EF b	0	0	0	0	0	0	0+0	0
FE b	0	0	0	0	0	0		
FG b	0	0	0	0	0	0	0+0	0
GF b	0	0	0	0	0	0		
GC b	0	0	$-Fb/EJ$	0	0	0	0+0	0
CG b	0	0	Fb/EJ	0	0	0		
HG b	0	$1/2Fx-1/2qx^2$	0	0	0	0	0+0	0
GH b	0	$-1/2Fx+1/2qx^2$	0	0	0	0		
HB b	0	$-1/4Fb+1/4Fx$	0	0	0	0	0+0	0
BH b	0	$1/4Fx$	0	0	0	0		
HE b	0	$1/4Fb-3/4Fx+1/2qx^2$	0	0	0	0	0+0	0
EH b	0	$1/4Fx-1/2qx^2$	0	0	0	0		
AB	molla asta $-W_{1AB}(W_{0AB}+XW_{1AB})/k_{AB}$							$1/4Xb/EJ$
	totali						$-7/24Fb^2/EJ$	$35/12Xb/EJ$
	iperstatica $X=W_{AB}$						$1/10Fb$	

Sviluppi di calcolo iperstatica

$$L_{AB}^{xx} = \int_0^b (1 - 2x/b + x^2/b^2) \cdot 1/EJ \, dx + 1 \cdot 1/4 \cdot b/EJ = \left[x - x^2/b + 1/3 x^3/b^2 \right]_0^b \cdot 1/EJ + 1 \cdot 1/4 \cdot b/EJ$$

$$= (b - b + 1/3 b) \cdot 1/EJ + 1 \cdot 1/4 \cdot b/EJ = 7/12 \cdot b/EJ$$

$$L_{BA}^{xx} = \int_0^b (x^2/b^2) \cdot 1/EJ \, dx + 1 \cdot 1/4 \cdot b/EJ = \left[1/3 x^3/b^2 \right]_0^b \cdot 1/EJ + 1 \cdot 1/4 \cdot b/EJ$$

$$= (1/3 b) \cdot 1/EJ + 1 \cdot 1/4 \cdot b/EJ = 7/12 \cdot b/EJ$$

$$L_{AD}^{xx} = \int_0^{2b} (1) \cdot 1/EJ \, dx = \left[x \right]_0^{2b} \cdot 1/EJ$$

$$= (2b) \cdot 1/EJ = 2 \cdot b/EJ$$

$$L_{DA}^{xx} = \int_0^{2b} (1) \cdot 1/EJ \, dx = \left[x \right]_0^{2b} \cdot 1/EJ$$

$$= (2b) \cdot 1/EJ = 2 \cdot b/EJ$$

$$L_{DE}^{xx} = \int_0^b (1 - 2x/b + x^2/b^2) \cdot 1/EJ \, dx = \left[x - x^2/b + 1/3 x^3/b^2 \right]_0^b \cdot 1/EJ$$

$$= (b - b + 1/3 b) \cdot 1/EJ = 1/3 \cdot b/EJ$$

$$L_{ED}^{xx} = \int_0^b (x^2/b^2) \cdot 1/EJ \, dx = \left[1/3 x^3/b^2 \right]_0^b \cdot 1/EJ$$

$$= (1/3 b) \cdot 1/EJ = 1/3 \cdot b/EJ$$

$$L_{AB}^{xo} = \int_0^b (2x/b - 3/2 x^2/b^2 - 1/2 x^3/b^3) \cdot Fb \cdot 1/EJ \, dx + 1 \cdot 0 \cdot 1/4 \cdot Fb^2/EJ$$

$$= \left[x^2/b - 1/2 x^3/b^2 - 1/8 x^4/b^3 \right]_0^b \cdot Fb \cdot 1/EJ + 1 \cdot 0 \cdot 1/4 \cdot Fb^2/EJ$$

$$= (b - 1/2 b - 1/8 b) \cdot Fb \cdot 1/EJ + 1 \cdot 0 \cdot 1/4 \cdot Fb^2/EJ = 3/8 \cdot Fb^2/EJ$$

$$L_{BA}^{xo} = \int_0^b (5/2 x/b - 3 x^2/b^2 + 1/2 x^3/b^3) \cdot Fb \cdot 1/EJ \, dx + 1 \cdot 0 \cdot 1/4 \cdot Fb^2/EJ$$

$$= \left[5/4 x^2/b - x^3/b^2 + 1/8 x^4/b^3 \right]_0^b \cdot Fb \cdot 1/EJ + 1 \cdot 0 \cdot 1/4 \cdot Fb^2/EJ$$

$$= (5/4 b - b + 1/8 b) \cdot Fb \cdot 1/EJ + 1 \cdot 0 \cdot 1/4 \cdot Fb^2/EJ = 3/8 \cdot Fb^2/EJ$$

$$L_{AD}^{xo} = \int_0^{2b} (-1/4 x/b) \cdot Fb \cdot 1/EJ \, dx = \left[-1/8 x^2/b \right]_0^{2b} \cdot Fb \cdot 1/EJ$$

$$= (-1/2 b) \cdot Fb \cdot 1/EJ = -1/2 \cdot Fb^2/EJ$$

$$L_{DA}^{xo} = \int_0^{2b} (-1/2 + 1/4 x/b) \cdot Fb \cdot 1/EJ \, dx = \left[-1/2 x + 1/8 x^2/b \right]_0^{2b} \cdot Fb \cdot 1/EJ$$

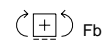
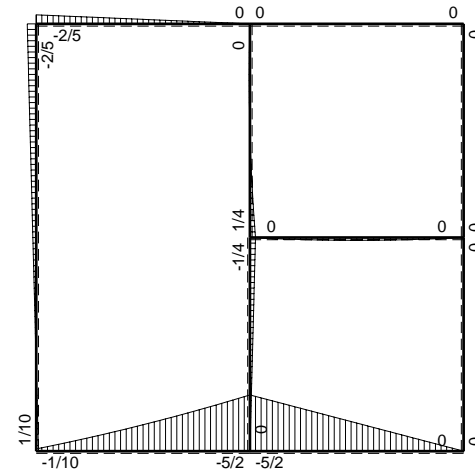
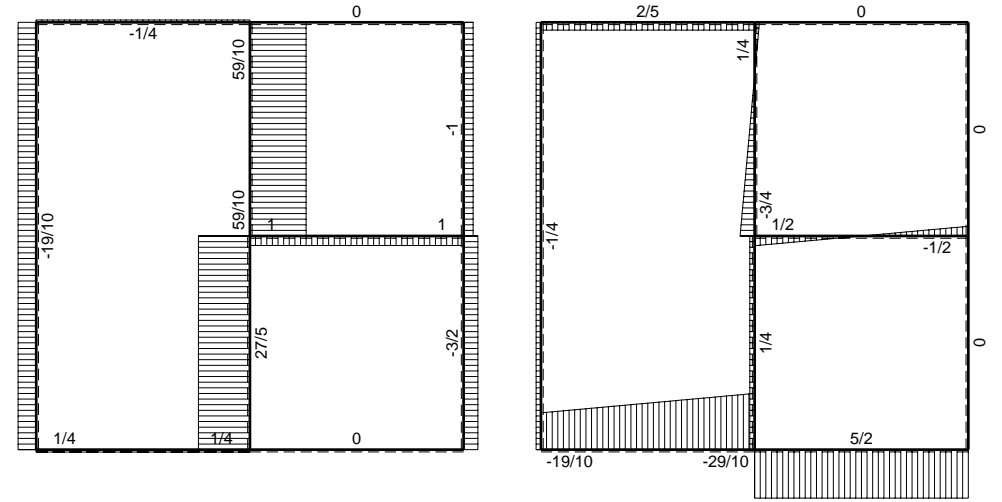
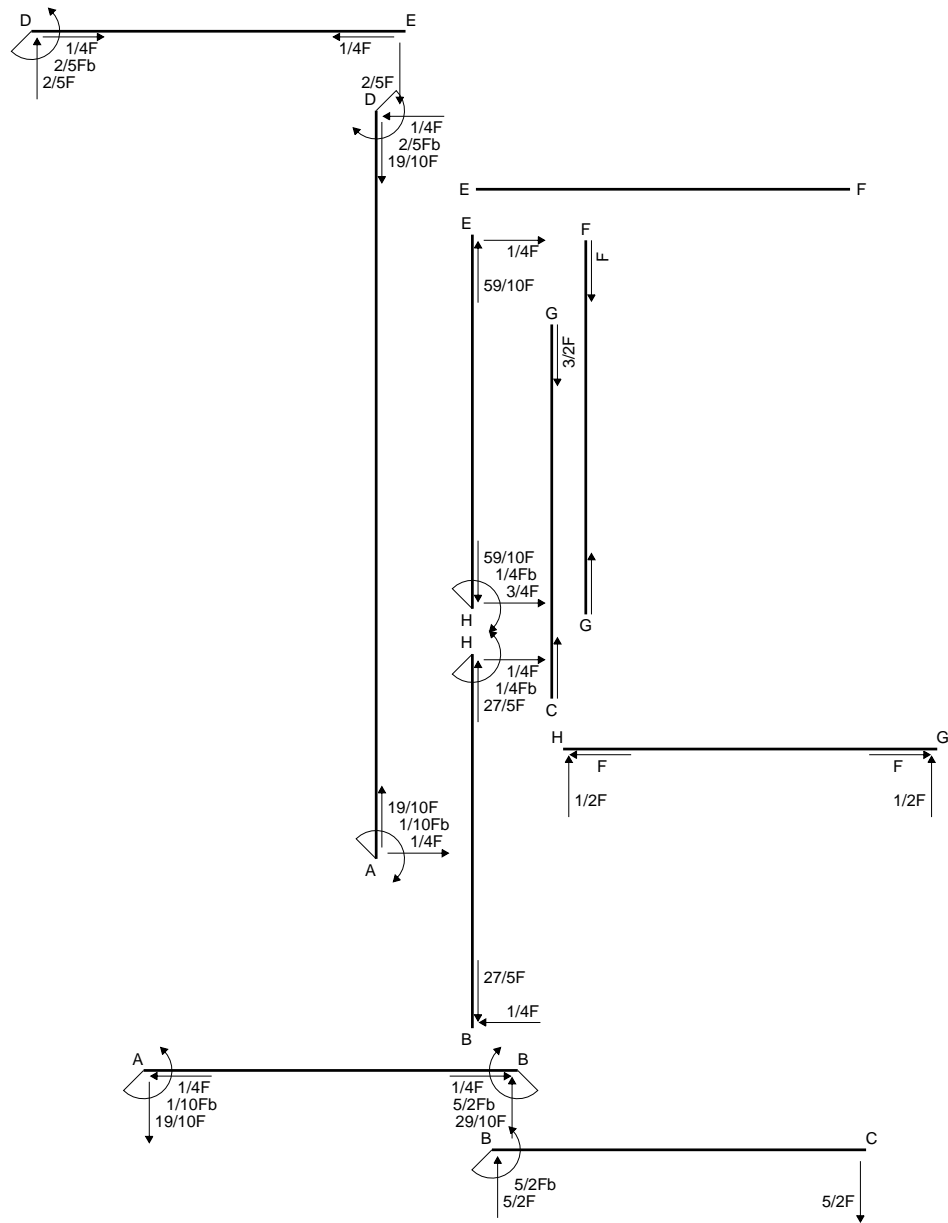
$$= (-b + 1/2 b) \cdot Fb \cdot 1/EJ = -1/2 \cdot Fb^2/EJ$$

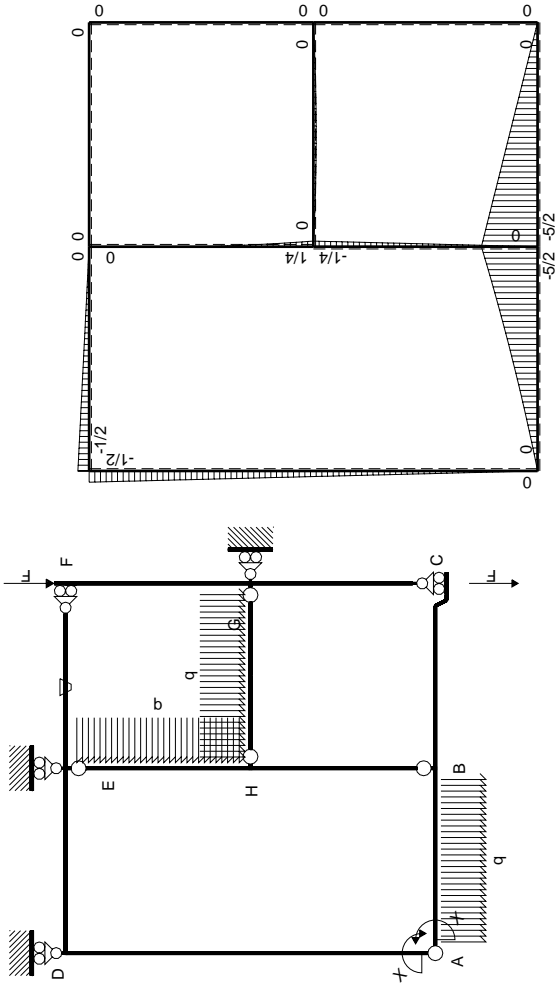
$$L_{DE}^{xo} = \int_0^b (-1/2 + x/b - 1/2 x^2/b^2) \cdot Fb \cdot 1/EJ \, dx = \left[-1/2 x + 1/2 x^2/b - 1/6 x^3/b^2 \right]_0^b \cdot Fb \cdot 1/EJ$$

$$= (-1/2 b + 1/2 b - 1/6 b) \cdot Fb \cdot 1/EJ = -1/6 \cdot Fb^2/EJ$$

$$L_{ED}^{xo} = \int_0^b (-1/2 x^2/b^2) \cdot Fb \cdot 1/EJ \, dx = \left[-1/6 x^3/b^2 \right]_0^b \cdot Fb \cdot 1/EJ$$

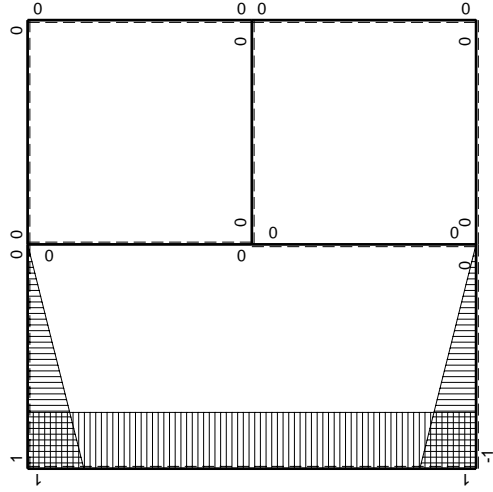
$$= (-1/6 b) \cdot Fb \cdot 1/EJ = -1/6 \cdot Fb^2/EJ$$





Schema di calcolo iperstatico

M_0 flessione da carichi assegnati



M_x flessione da iperstatica $X=1$

Quadro contributi PLV per iperstatica $X=W_{AB}$

→	$M_x(x)$	$M_o(x)$	θ	$M_x M_o$	$M_x \theta$	$M_x M_x$	$\int M_x(M_o/EJ+\theta)dx$	$\int X M_x M_x/EJ dx$
AB b	$-1+x/b$	$-2Fx-1/2qx^2$	0	$2Fx-3/2Fx^2/b-1/2qx^3/b$	0	$1-2x/b+x^2/b^2$	$(3/8+0)Fb^2/EJ$	$1/3Xb/EJ$
BA b	x/b	$5/2Fb-3Fx+1/2qx^2$	0	$5/2Fx-3Fx^2/b+1/2qx^3/b$	0	x^2/b^2		
BC b	0	$-5/2Fb+5/2Fx$	0	0	0	0	0+0	0
CB b	0	$5/2Fx$	0	0	0	0		
AD 2b	1	$-1/4Fx$	0	$-1/4Fx$	0	1	$(-1/2+0)Fb^2/EJ$	$2Xb/EJ$
DA 2b	-1	$1/2Fb-1/4Fx$	0	$-1/2Fb+1/4Fx$	0	1		
DE b	$1-x/b$	$-1/2Fb+1/2Fx$	0	$-1/2Fb+Fx-1/2Fx^2/b$	0	$1-2x/b+x^2/b^2$	$(-1/6+0)Fb^2/EJ$	$1/3Xb/EJ$
ED b	$-x/b$	$1/2Fx$	0	$-1/2Fx^2/b$	0	x^2/b^2		
EF b	0	0	$-Fb/EJ$	0	0	0	0+0	0
FE b	0	0	Fb/EJ	0	0	0		
FG b	0	0	0	0	0	0	0+0	0
GF b	0	0	0	0	0	0		
GC b	0	0	0	0	0	0	0+0	0
CG b	0	0	0	0	0	0		
HG b	0	$1/2Fx-1/2qx^2$	0	0	0	0	0+0	0
GH b	0	$-1/2Fx+1/2qx^2$	0	0	0	0		
HB b	0	$-1/4Fb+1/4Fx$	0	0	0	0	0+0	0
BH b	0	$1/4Fx$	0	0	0	0		
HE b	0	$1/4Fb-3/4Fx+1/2qx^2$	0	0	0	0	0+0	0
EH b	0	$1/4Fx-1/2qx^2$	0	0	0	0		
AB	molla asta $-W_{1AB}(W_{0AB}+XW_{1AB})/k_{AB}$							$1/4Xb/EJ$
	totali						$-7/24Fb^2/EJ$	$35/12Xb/EJ$
	iperstatica $X=W_{AB}$						$1/10Fb$	

Sviluppi di calcolo iperstatica

$$L_{AB}^{xx} = \int_0^b (1 - 2x/b + x^2/b^2) \cdot 1/EJ \, dx + 1 \cdot 1/4 \cdot b/EJ = \left[x - x^2/b + 1/3 x^3/b^2 \right]_0^b \cdot 1/EJ + 1 \cdot 1/4 \cdot b/EJ$$

$$= (b - b + 1/3 b) \cdot 1/EJ + 1 \cdot 1/4 \cdot b/EJ = 7/12 \cdot b/EJ$$

$$L_{BA}^{xx} = \int_0^b (x^2/b^2) \cdot 1/EJ \, dx + 1 \cdot 1/4 \cdot b/EJ = \left[1/3 x^3/b^2 \right]_0^b \cdot 1/EJ + 1 \cdot 1/4 \cdot b/EJ$$

$$= (1/3 b) \cdot 1/EJ + 1 \cdot 1/4 \cdot b/EJ = 7/12 \cdot b/EJ$$

$$L_{AD}^{xx} = \int_0^{2b} (1) \cdot 1/EJ \, dx = \left[x \right]_0^{2b} \cdot 1/EJ$$

$$= (2b) \cdot 1/EJ = 2 \cdot b/EJ$$

$$L_{DA}^{xx} = \int_0^{2b} (1) \cdot 1/EJ \, dx = \left[x \right]_0^{2b} \cdot 1/EJ$$

$$= (2b) \cdot 1/EJ = 2 \cdot b/EJ$$

$$L_{DE}^{xx} = \int_0^b (1 - 2x/b + x^2/b^2) \cdot 1/EJ \, dx = \left[x - x^2/b + 1/3 x^3/b^2 \right]_0^b \cdot 1/EJ$$

$$= (b - b + 1/3 b) \cdot 1/EJ = 1/3 \cdot b/EJ$$

$$L_{ED}^{xx} = \int_0^b (x^2/b^2) \cdot 1/EJ \, dx = \left[1/3 x^3/b^2 \right]_0^b \cdot 1/EJ$$

$$= (1/3 b) \cdot 1/EJ = 1/3 \cdot b/EJ$$

$$L_{AB}^{xo} = \int_0^b (2x/b - 3/2 x^2/b^2 - 1/2 x^3/b^3) \cdot Fb \cdot 1/EJ \, dx + 1 \cdot 0 \cdot 1/4 \cdot Fb^2/EJ$$

$$= \left[x^2/b - 1/2 x^3/b^2 - 1/8 x^4/b^3 \right]_0^b \cdot Fb \cdot 1/EJ + 1 \cdot 0 \cdot 1/4 \cdot Fb^2/EJ$$

$$= (b - 1/2 b - 1/8 b) \cdot Fb \cdot 1/EJ + 1 \cdot 0 \cdot 1/4 \cdot Fb^2/EJ = 3/8 \cdot Fb^2/EJ$$

$$L_{BA}^{xo} = \int_0^b (5/2 x/b - 3 x^2/b^2 + 1/2 x^3/b^3) \cdot Fb \cdot 1/EJ \, dx + 1 \cdot 0 \cdot 1/4 \cdot Fb^2/EJ$$

$$= \left[5/4 x^2/b - x^3/b^2 + 1/8 x^4/b^3 \right]_0^b \cdot Fb \cdot 1/EJ + 1 \cdot 0 \cdot 1/4 \cdot Fb^2/EJ$$

$$= (5/4 b - b + 1/8 b) \cdot Fb \cdot 1/EJ + 1 \cdot 0 \cdot 1/4 \cdot Fb^2/EJ = 3/8 \cdot Fb^2/EJ$$

$$L_{AD}^{xo} = \int_0^{2b} (-1/4 x/b) \cdot Fb \cdot 1/EJ \, dx = \left[-1/8 x^2/b \right]_0^{2b} \cdot Fb \cdot 1/EJ$$

$$= (-1/2 b) \cdot Fb \cdot 1/EJ = -1/2 \cdot Fb^2/EJ$$

$$L_{DA}^{xo} = \int_0^{2b} (-1/2 + 1/4 x/b) \cdot Fb \cdot 1/EJ \, dx = \left[-1/2 x + 1/8 x^2/b \right]_0^{2b} \cdot Fb \cdot 1/EJ$$

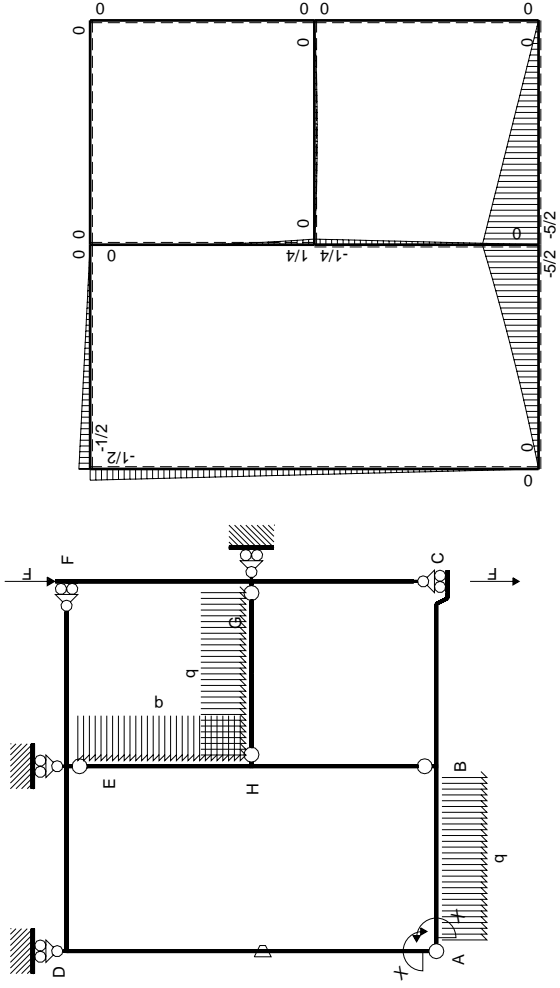
$$= (-b + 1/2 b) \cdot Fb \cdot 1/EJ = -1/2 \cdot Fb^2/EJ$$

$$L_{DE}^{xo} = \int_0^b (-1/2 + x/b - 1/2 x^2/b^2) \cdot Fb \cdot 1/EJ \, dx = \left[-1/2 x + 1/2 x^2/b - 1/6 x^3/b^2 \right]_0^b \cdot Fb \cdot 1/EJ$$

$$= (-1/2 b + 1/2 b - 1/6 b) \cdot Fb \cdot 1/EJ = -1/6 \cdot Fb^2/EJ$$

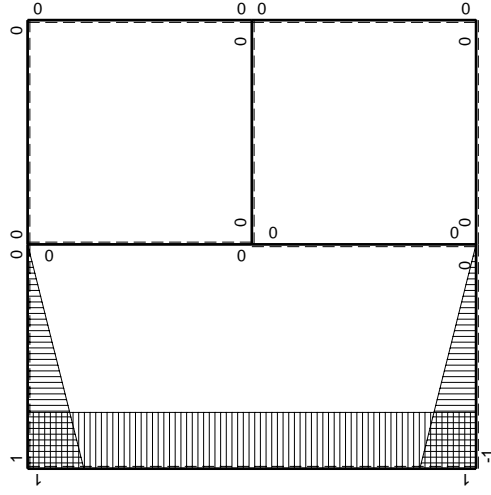
$$L_{ED}^{xo} = \int_0^b (-1/2 x^2/b^2) \cdot Fb \cdot 1/EJ \, dx = \left[-1/6 x^3/b^2 \right]_0^b \cdot Fb \cdot 1/EJ$$

$$= (-1/6 b) \cdot Fb \cdot 1/EJ = -1/6 \cdot Fb^2/EJ$$



Schema di calcolo iperstatico

M_0 flessione da carichi assegnati



M_x flessione da iperstatica $X=1$

Quadro contributi PLV per iperstatica $X=W_{AB}$

→	$M_x(x)$	$M_o(x)$	θ	$M_x M_o$	$M_x \theta$	$M_x M_x$	$\int M_x(M_o/EJ+\theta)dx$	$\int X M_x M_x/EJ dx$
AB b	$-1+x/b$	$-2Fx-1/2qx^2$	0	$2Fx-3/2Fx^2/b-1/2qx^3/b$	0	$1-2x/b+x^2/b^2$	$(3/8+0)Fb^2/EJ$	$1/3Xb/EJ$
BA b	x/b	$5/2Fb-3Fx+1/2qx^2$	0	$5/2Fx-3Fx^2/b+1/2qx^3/b$	0	x^2/b^2		
BC b	0	$-5/2Fb+5/2Fx$	0	0	0	0	0+0	0
CB b	0	$5/2Fx$	0	0	0	0		
AD 2b	1	$-1/4Fx$	$-Fb/EJ$	$-1/4Fx$	$-Fb/EJ$	1	$(-1/2-2)Fb^2/EJ$	$2Xb/EJ$
DA 2b	-1	$1/2Fb-1/4Fx$	Fb/EJ	$-1/2Fb+1/4Fx$	$-Fb/EJ$	1		
DE b	$1-x/b$	$-1/2Fb+1/2Fx$	0	$-1/2Fb+Fx-1/2Fx^2/b$	0	$1-2x/b+x^2/b^2$	$(-1/6+0)Fb^2/EJ$	$1/3Xb/EJ$
ED b	$-x/b$	$1/2Fx$	0	$-1/2Fx^2/b$	0	x^2/b^2		
EF b	0	0	0	0	0	0	0+0	0
FE b	0	0	0	0	0	0		
FG b	0	0	0	0	0	0	0+0	0
GF b	0	0	0	0	0	0		
GC b	0	0	0	0	0	0	0+0	0
CG b	0	0	0	0	0	0		
HG b	0	$1/2Fx-1/2qx^2$	0	0	0	0	0+0	0
GH b	0	$-1/2Fx+1/2qx^2$	0	0	0	0		
HB b	0	$-1/4Fb+1/4Fx$	0	0	0	0	0+0	0
BH b	0	$1/4Fx$	0	0	0	0		
HE b	0	$1/4Fb-3/4Fx+1/2qx^2$	0	0	0	0	0+0	0
EH b	0	$1/4Fx-1/2qx^2$	0	0	0	0		
AB	molla asta $-W_{1AB}(W_{0AB}+XW_{1AB})/k_{AB}$							$1/4Xb/EJ$
	totali						$-55/24Fb^2/EJ$	$35/12Xb/EJ$
	iperstatica $X=W_{AB}$						$11/14Fb$	

Sviluppi di calcolo iperstatica

$$L_{AB}^{xx} = \int_0^b (1 - 2x/b + x^2/b^2) \cdot 1/EJ \, dx + 1 \cdot 1/4 \cdot b/EJ = \left[x - x^2/b + 1/3 x^3/b^2 \right]_0^b \cdot 1/EJ + 1 \cdot 1/4 \cdot b/EJ$$

$$= (b - b + 1/3 b) \cdot 1/EJ + 1 \cdot 1/4 \cdot b/EJ = 7/12 \cdot b/EJ$$

$$L_{BA}^{xx} = \int_0^b (x^2/b^2) \cdot 1/EJ \, dx + 1 \cdot 1/4 \cdot b/EJ = \left[1/3 x^3/b^2 \right]_0^b \cdot 1/EJ + 1 \cdot 1/4 \cdot b/EJ$$

$$= (1/3 b) \cdot 1/EJ + 1 \cdot 1/4 \cdot b/EJ = 7/12 \cdot b/EJ$$

$$L_{AD}^{xx} = \int_0^{2b} (1) \cdot 1/EJ \, dx = \left[x \right]_0^{2b} \cdot 1/EJ$$

$$= (2b) \cdot 1/EJ = 2 \cdot b/EJ$$

$$L_{DA}^{xx} = \int_0^{2b} (1) \cdot 1/EJ \, dx = \left[x \right]_0^{2b} \cdot 1/EJ$$

$$= (2b) \cdot 1/EJ = 2 \cdot b/EJ$$

$$L_{DE}^{xx} = \int_0^b (1 - 2x/b + x^2/b^2) \cdot 1/EJ \, dx = \left[x - x^2/b + 1/3 x^3/b^2 \right]_0^b \cdot 1/EJ$$

$$= (b - b + 1/3 b) \cdot 1/EJ = 1/3 \cdot b/EJ$$

$$L_{ED}^{xx} = \int_0^b (x^2/b^2) \cdot 1/EJ \, dx = \left[1/3 x^3/b^2 \right]_0^b \cdot 1/EJ$$

$$= (1/3 b) \cdot 1/EJ = 1/3 \cdot b/EJ$$

$$L_{AB}^{xo} = \int_0^b (2x/b - 3/2 x^2/b^2 - 1/2 x^3/b^3) \cdot Fb \cdot 1/EJ \, dx + 1 \cdot 0 \cdot 1/4 \cdot Fb^2/EJ$$

$$= \left[x^2/b - 1/2 x^3/b^2 - 1/8 x^4/b^3 \right]_0^b \cdot Fb \cdot 1/EJ + 1 \cdot 0 \cdot 1/4 \cdot Fb^2/EJ$$

$$= (b - 1/2 b - 1/8 b) \cdot Fb \cdot 1/EJ + 1 \cdot 0 \cdot 1/4 \cdot Fb^2/EJ = 3/8 \cdot Fb^2/EJ$$

$$L_{BA}^{xo} = \int_0^b (5/2 x/b - 3 x^2/b^2 + 1/2 x^3/b^3) \cdot Fb \cdot 1/EJ \, dx + 1 \cdot 0 \cdot 1/4 \cdot Fb^2/EJ$$

$$= \left[5/4 x^2/b - x^3/b^2 + 1/8 x^4/b^3 \right]_0^b \cdot Fb \cdot 1/EJ + 1 \cdot 0 \cdot 1/4 \cdot Fb^2/EJ$$

$$= (5/4 b - b + 1/8 b) \cdot Fb \cdot 1/EJ + 1 \cdot 0 \cdot 1/4 \cdot Fb^2/EJ = 3/8 \cdot Fb^2/EJ$$

$$L_{AD}^{xo} = \int_0^{2b} (-1/4 x/b) \cdot Fb \cdot 1/EJ \, dx + \int_0^{2b} (-1) \cdot \theta \, dx = \left[-1/8 x^2/b \right]_0^{2b} \cdot Fb \cdot 1/EJ + \left[-x \right]_0^{2b} \cdot \theta$$

$$= (-1/2 b) \cdot Fb \cdot 1/EJ + (-2b) \cdot \theta = -5/2 \cdot Fb^2/EJ$$

$$L_{DA}^{xo} = \int_0^{2b} (-1/2 + 1/4 x/b) \cdot Fb \cdot 1/EJ \, dx + \int_0^{2b} (1) \cdot \theta \, dx = \left[-1/2 x + 1/8 x^2/b \right]_0^{2b} \cdot Fb \cdot 1/EJ + \left[x \right]_0^{2b} \cdot \theta$$

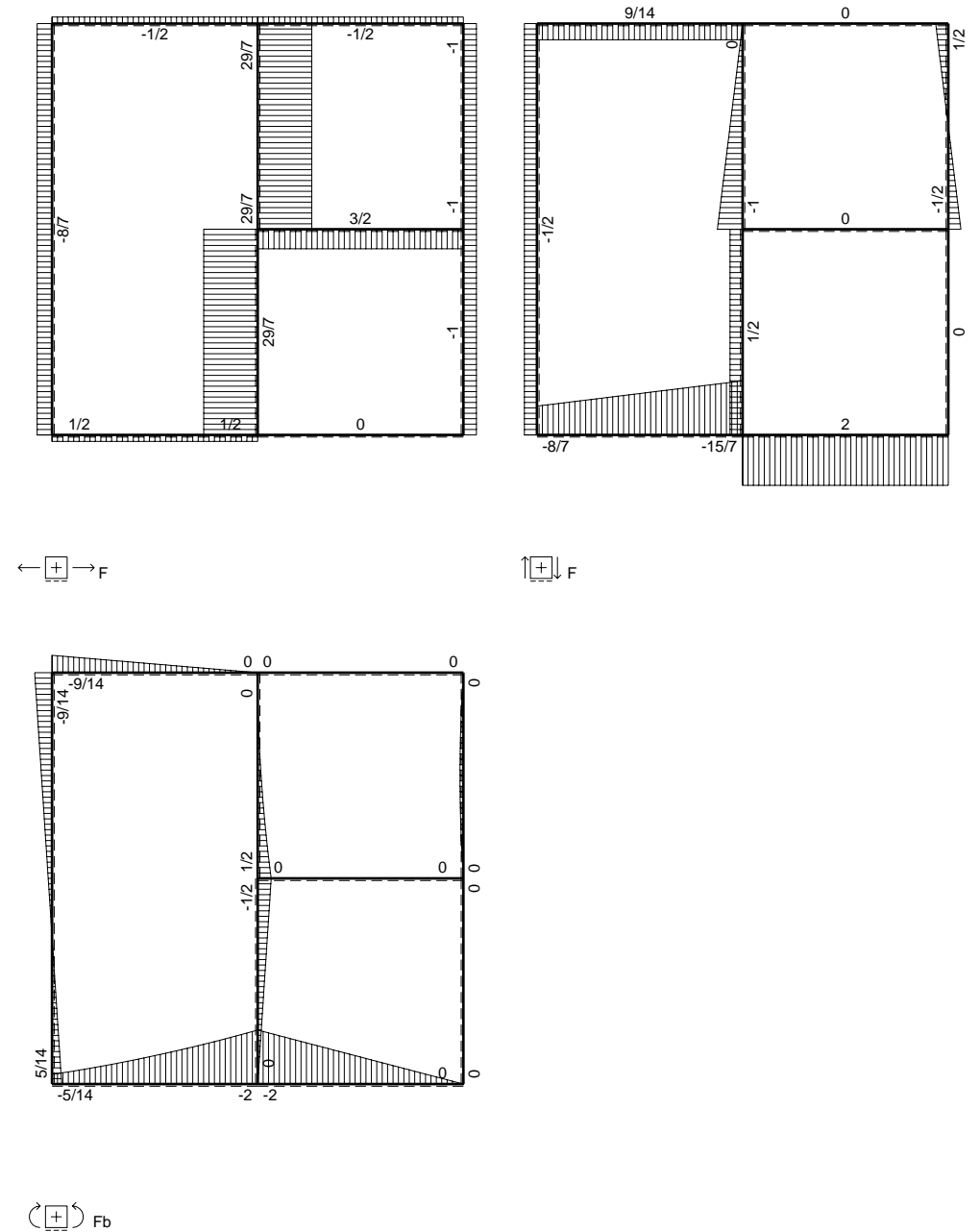
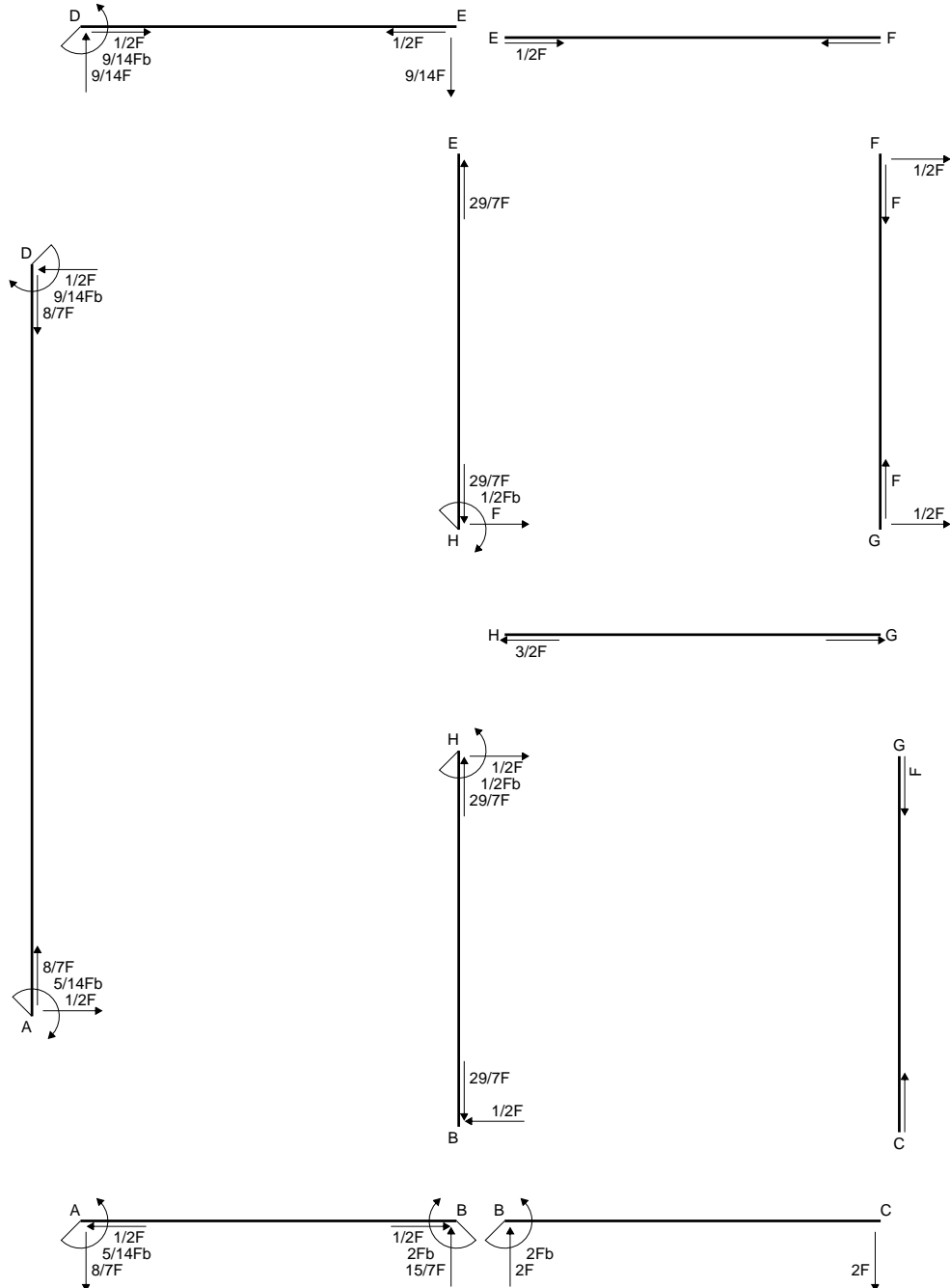
$$= (-b + 1/2 b) \cdot Fb \cdot 1/EJ + (2b) \cdot \theta = -5/2 \cdot Fb^2/EJ$$

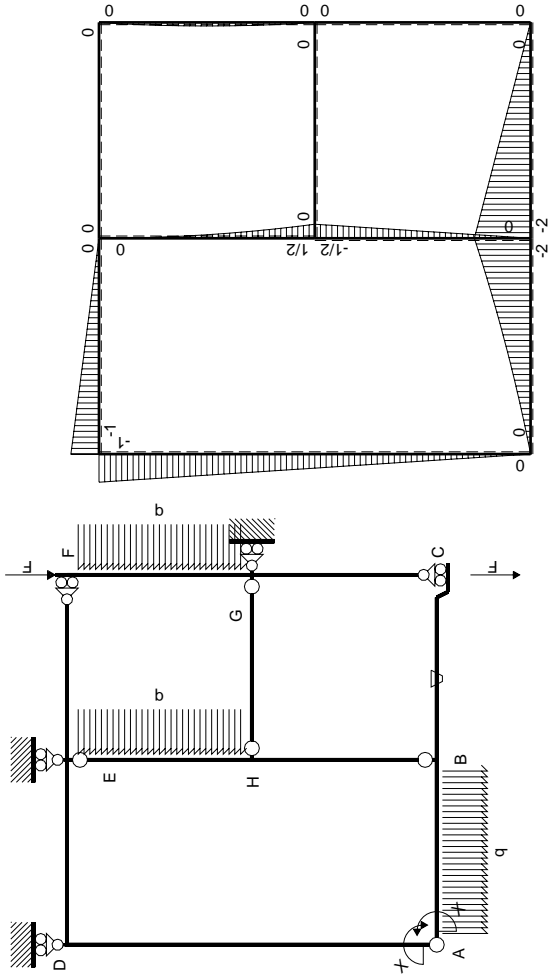
$$L_{DE}^{xo} = \int_0^b (-1/2 + x/b - 1/2 x^2/b^2) \cdot Fb \cdot 1/EJ \, dx = \left[-1/2 x + 1/2 x^2/b - 1/6 x^3/b^2 \right]_0^b \cdot Fb \cdot 1/EJ$$

$$= (-1/2 b + 1/2 b - 1/6 b) \cdot Fb \cdot 1/EJ = -1/6 \cdot Fb^2/EJ$$

$$L_{ED}^{xo} = \int_0^b (-1/2 x^2/b^2) \cdot Fb \cdot 1/EJ \, dx = \left[-1/6 x^3/b^2 \right]_0^b \cdot Fb \cdot 1/EJ$$

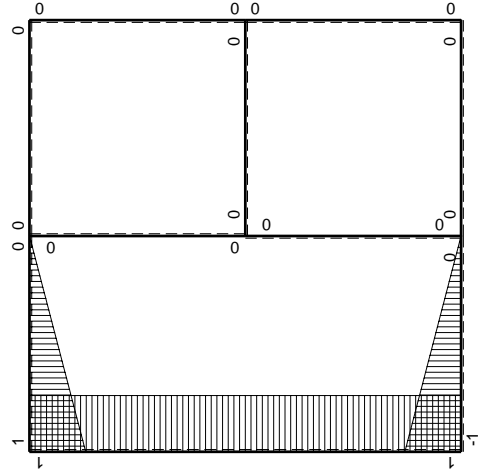
$$= (-1/6 b) \cdot Fb \cdot 1/EJ = -1/6 \cdot Fb^2/EJ$$





Schema di calcolo iperstatico

M_0 flessione da carichi assegnati



M_x flessione da iperstatica $X=1$

Quadro contributi PLV per iperstatica $X=W_{AB}$

→	$M_x(x)$	$M_o(x)$	θ	$M_x M_o$	$M_x \theta$	$M_x M_x$	$\int M_x(M_o/EJ+\theta)dx$	$\int X M_x M_x/EJ dx$	
AB b	$-1+x/b$	$-3/2Fx-1/2qx^2$	0	$3/2Fx-Fx^2/b-1/2qx^3/b$	0	$1-2x/b+x^2/b^2$	$(7/24+0)Fb^2/EJ$	$1/3Xb/EJ$	
BA b	x/b	$2Fb-5/2Fx+1/2qx^2$	0	$2Fx-5/2Fx^2/b+1/2qx^3/b$	0	x^2/b^2			
BC b	0	$-2Fb+2Fx$	$-Fb/EJ$	0	0	0	0+0	0	
CB b	0	$2Fx$	Fb/EJ	0	0	0			
AD 2b	1	$-1/2Fx$	0	$-1/2Fx$	0	1	$(-1+0)Fb^2/EJ$	$2Xb/EJ$	
DA 2b	-1	$Fb-1/2Fx$	0	$-Fb+1/2Fx$	0	1			
DE b	$1-x/b$	$-Fb+Fx$	0	$-Fb+2Fx-Fx^2/b$	0	$1-2x/b+x^2/b^2$	$(-1/3+0)Fb^2/EJ$	$1/3Xb/EJ$	
ED b	$-x/b$	Fx	0	$-Fx^2/b$	0	x^2/b^2			
EF b	0	0	0	0	0	0	0+0	0	
FE b	0	0	0	0	0	0			
FG b	0	$1/2Fx-1/2qx^2$	0	0	0	0	0+0	0	
GF b	0	$-1/2Fx+1/2qx^2$	0	0	0	0			
GC b	0	0	0	0	0	0	0+0	0	
CG b	0	0	0	0	0	0			
HG b	0	0	0	0	0	0	0+0	0	
GH b	0	0	0	0	0	0			
HB b	0	$-1/2Fb+1/2Fx$	0	0	0	0	0+0	0	
BH b	0	$1/2Fx$	0	0	0	0			
HE b	0	$1/2Fb-Fx+1/2qx^2$	0	0	0	0	0+0	0	
EH b	0	$-1/2qx^2$	0	0	0	0			
AB	molla asta $-W_{1AB}(W_{0AB}+XW_{1AB})/k_{AB}$								$1/4Xb/EJ$
	totali							$-25/24Fb^2/EJ$	$35/12Xb/EJ$
	iperstatica $X=W_{AB}$							$5/14Fb$	

Sviluppi di calcolo iperstatica

$$L_{AB}^{xx} = \int_0^b (1 - 2x/b + x^2/b^2) \cdot 1/EJ \, dx + 1 \cdot 1/4 \cdot b/EJ = \left[x - x^2/b + 1/3 x^3/b^2 \right]_0^b \cdot 1/EJ + 1 \cdot 1/4 \cdot b/EJ$$

$$= (b - b + 1/3 b) \cdot 1/EJ + 1 \cdot 1/4 \cdot b/EJ = 7/12 \cdot b/EJ$$

$$L_{BA}^{xx} = \int_0^b (x^2/b^2) \cdot 1/EJ \, dx + 1 \cdot 1/4 \cdot b/EJ = \left[1/3 x^3/b^2 \right]_0^b \cdot 1/EJ + 1 \cdot 1/4 \cdot b/EJ$$

$$= (1/3 b) \cdot 1/EJ + 1 \cdot 1/4 \cdot b/EJ = 7/12 \cdot b/EJ$$

$$L_{AD}^{xx} = \int_0^{2b} (1) \cdot 1/EJ \, dx = \left[x \right]_0^{2b} \cdot 1/EJ$$

$$= (2b) \cdot 1/EJ = 2 \cdot b/EJ$$

$$L_{DA}^{xx} = \int_0^{2b} (1) \cdot 1/EJ \, dx = \left[x \right]_0^{2b} \cdot 1/EJ$$

$$= (2b) \cdot 1/EJ = 2 \cdot b/EJ$$

$$L_{DE}^{xx} = \int_0^b (1 - 2x/b + x^2/b^2) \cdot 1/EJ \, dx = \left[x - x^2/b + 1/3 x^3/b^2 \right]_0^b \cdot 1/EJ$$

$$= (b - b + 1/3 b) \cdot 1/EJ = 1/3 \cdot b/EJ$$

$$L_{ED}^{xx} = \int_0^b (x^2/b^2) \cdot 1/EJ \, dx = \left[1/3 x^3/b^2 \right]_0^b \cdot 1/EJ$$

$$= (1/3 b) \cdot 1/EJ = 1/3 \cdot b/EJ$$

$$L_{AB}^{xo} = \int_0^b (3/2 x/b - x^2/b^2 - 1/2 x^3/b^3) \cdot Fb \cdot 1/EJ \, dx + 1 \cdot 0 \cdot 1/4 \cdot Fb^2/EJ$$

$$= \left[3/4 x^2/b - 1/3 x^3/b^2 - 1/8 x^4/b^3 \right]_0^b \cdot Fb \cdot 1/EJ + 1 \cdot 0 \cdot 1/4 \cdot Fb^2/EJ$$

$$= (3/4 b - 1/3 b - 1/8 b) \cdot Fb \cdot 1/EJ + 1 \cdot 0 \cdot 1/4 \cdot Fb^2/EJ = 7/24 \cdot Fb^2/EJ$$

$$L_{BA}^{xo} = \int_0^b (2x/b - 5/2 x^2/b^2 + 1/2 x^3/b^3) \cdot Fb \cdot 1/EJ \, dx + 1 \cdot 0 \cdot 1/4 \cdot Fb^2/EJ$$

$$= \left[x^2/b - 5/6 x^3/b^2 + 1/8 x^4/b^3 \right]_0^b \cdot Fb \cdot 1/EJ + 1 \cdot 0 \cdot 1/4 \cdot Fb^2/EJ$$

$$= (b - 5/6 b + 1/8 b) \cdot Fb \cdot 1/EJ + 1 \cdot 0 \cdot 1/4 \cdot Fb^2/EJ = 7/24 \cdot Fb^2/EJ$$

$$L_{AD}^{xo} = \int_0^{2b} (-1/2 x/b) \cdot Fb \cdot 1/EJ \, dx = \left[-1/4 x^2/b \right]_0^{2b} \cdot Fb \cdot 1/EJ$$

$$= (-b) \cdot Fb \cdot 1/EJ = -Fb^2/EJ$$

$$L_{DA}^{xo} = \int_0^{2b} (-1 + 1/2 x/b) \cdot Fb \cdot 1/EJ \, dx = \left[-x + 1/4 x^2/b \right]_0^{2b} \cdot Fb \cdot 1/EJ$$

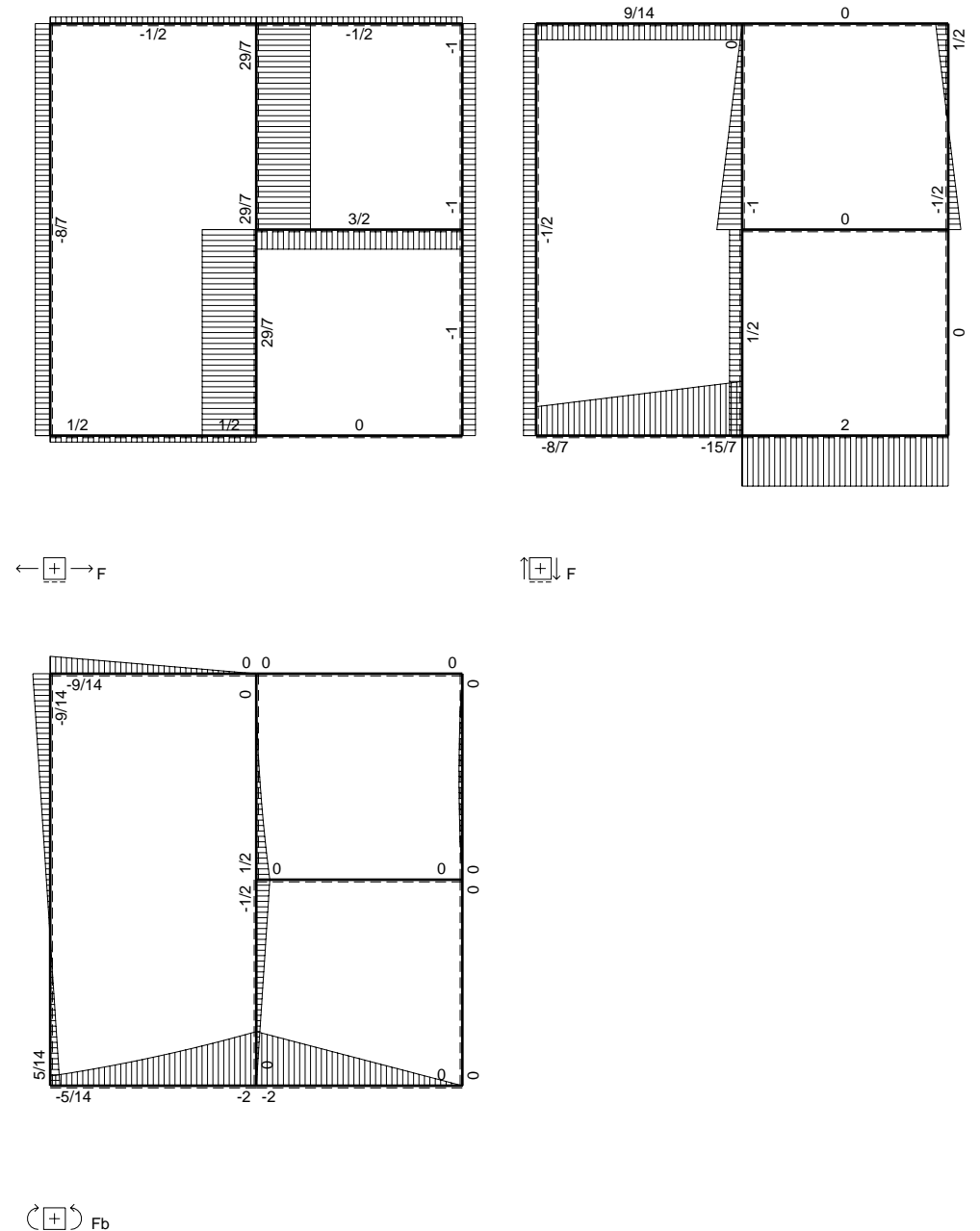
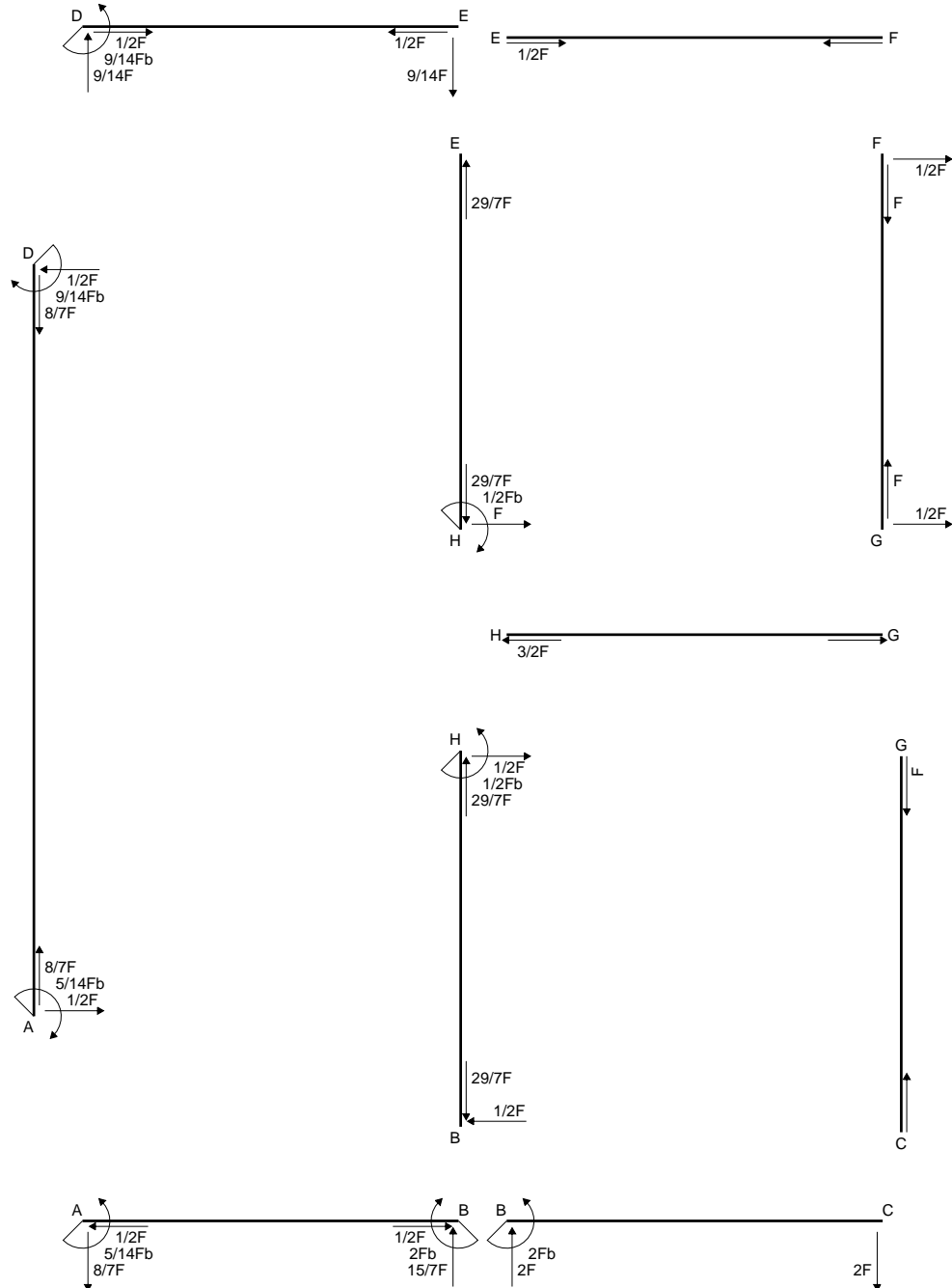
$$= (-2b + b) \cdot Fb \cdot 1/EJ = -Fb^2/EJ$$

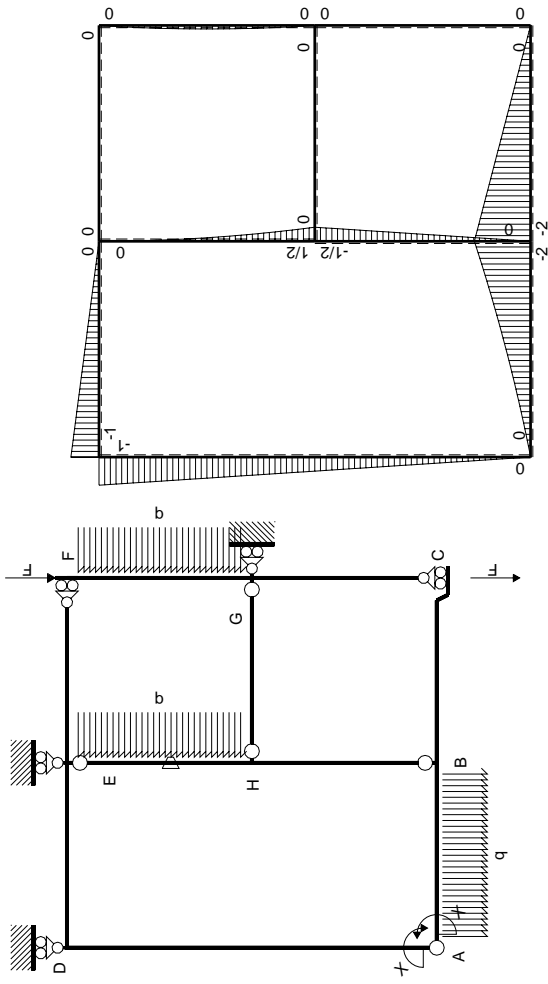
$$L_{DE}^{xo} = \int_0^b (-1 + 2x/b - x^2/b^2) \cdot Fb \cdot 1/EJ \, dx = \left[-x + x^2/b - 1/3 x^3/b^2 \right]_0^b \cdot Fb \cdot 1/EJ$$

$$= (-b + b - 1/3 b) \cdot Fb \cdot 1/EJ = -1/3 \cdot Fb^2/EJ$$

$$L_{ED}^{xo} = \int_0^b (-x^2/b^2) \cdot Fb \cdot 1/EJ \, dx = \left[-1/3 x^3/b^2 \right]_0^b \cdot Fb \cdot 1/EJ$$

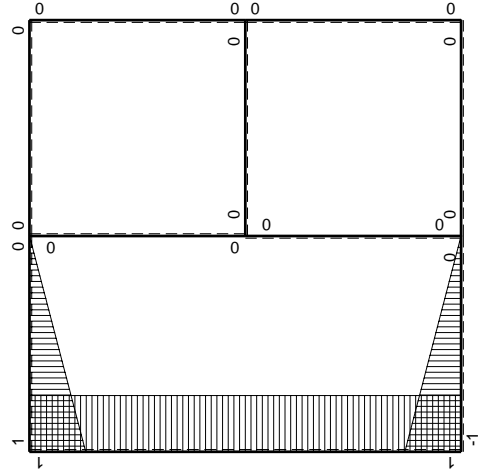
$$= (-1/3 b) \cdot Fb \cdot 1/EJ = -1/3 \cdot Fb^2/EJ$$





Schema di calcolo iperstatico

M_0 flessione da carichi assegnati



M_x flessione da iperstatica $X=1$

Quadro contributi PLV per iperstatica $X=W_{AB}$

→	$M_x(x)$	$M_o(x)$	θ	$M_x M_o$	$M_x \theta$	$M_x M_x$	$\int M_x(M_o/EJ+\theta)dx$	$\int X M_x M_x / EJ dx$
AB b	$-1+x/b$	$-3/2Fx-1/2qx^2$	0	$3/2Fx-Fx^2/b-1/2qx^3/b$	0	$1-2x/b+x^2/b^2$	$(7/24+0)Fb^2/EJ$	$1/3Xb/EJ$
BA b	x/b	$2Fb-5/2Fx+1/2qx^2$	0	$2Fx-5/2Fx^2/b+1/2qx^3/b$	0	x^2/b^2		
BC b	0	$-2Fb+2Fx$	0	0	0	0	0+0	0
CB b	0	$2Fx$	0	0	0	0		
AD 2b	1	$-1/2Fx$	0	$-1/2Fx$	0	1	$(-1+0)Fb^2/EJ$	$2Xb/EJ$
DA 2b	-1	$Fb-1/2Fx$	0	$-Fb+1/2Fx$	0	1		
DE b	$1-x/b$	$-Fb+Fx$	0	$-Fb+2Fx-Fx^2/b$	0	$1-2x/b+x^2/b^2$	$(-1/3+0)Fb^2/EJ$	$1/3Xb/EJ$
ED b	$-x/b$	Fx	0	$-Fx^2/b$	0	x^2/b^2		
EF b	0	0	0	0	0	0	0+0	0
FE b	0	0	0	0	0	0		
FG b	0	$1/2Fx-1/2qx^2$	0	0	0	0	0+0	0
GF b	0	$-1/2Fx+1/2qx^2$	0	0	0	0		
GC b	0	0	0	0	0	0	0+0	0
CG b	0	0	0	0	0	0		
HG b	0	0	0	0	0	0	0+0	0
GH b	0	0	0	0	0	0		
HB b	0	$-1/2Fb+1/2Fx$	0	0	0	0	0+0	0
BH b	0	$1/2Fx$	0	0	0	0		
HE b	0	$1/2Fb-Fx+1/2qx^2$	$-Fb/EJ$	0	0	0	0+0	0
EH b	0	$-1/2qx^2$	Fb/EJ	0	0	0		
AB	molla asta $-W_{1AB}(W_{0AB}+XW_{1AB})/k_{AB}$							$1/4Xb/EJ$
	totali						$-25/24Fb^2/EJ$	$35/12Xb/EJ$
	iperstatica $X=W_{AB}$						$5/14Fb$	

Sviluppi di calcolo iperstatica

$$L_{AB}^{xx} = \int_0^b (1 - 2x/b + x^2/b^2) \frac{1}{EJ} dx + 1 \cdot \frac{1}{4} \frac{b}{EJ} = \left[x - x^2/b + 1/3 x^3/b^2 \right]_0^b \frac{1}{EJ} + 1 \cdot \frac{1}{4} \frac{b}{EJ}$$

$$= (b - b + 1/3 b) \frac{1}{EJ} + 1 \cdot \frac{1}{4} \frac{b}{EJ} = 7/12 \frac{b}{EJ}$$

$$L_{BA}^{xx} = \int_0^b (x^2/b^2) \frac{1}{EJ} dx + 1 \cdot \frac{1}{4} \frac{b}{EJ} = \left[1/3 x^3/b^2 \right]_0^b \frac{1}{EJ} + 1 \cdot \frac{1}{4} \frac{b}{EJ}$$

$$= (1/3 b) \frac{1}{EJ} + 1 \cdot \frac{1}{4} \frac{b}{EJ} = 7/12 \frac{b}{EJ}$$

$$L_{AD}^{xx} = \int_0^{2b} (1) \frac{1}{EJ} dx = \left[x \right]_0^{2b} \frac{1}{EJ}$$

$$= (2b) \frac{1}{EJ} = 2 \frac{b}{EJ}$$

$$L_{DA}^{xx} = \int_0^{2b} (1) \frac{1}{EJ} dx = \left[x \right]_0^{2b} \frac{1}{EJ}$$

$$= (2b) \frac{1}{EJ} = 2 \frac{b}{EJ}$$

$$L_{DE}^{xx} = \int_0^b (1 - 2x/b + x^2/b^2) \frac{1}{EJ} dx = \left[x - x^2/b + 1/3 x^3/b^2 \right]_0^b \frac{1}{EJ}$$

$$= (b - b + 1/3 b) \frac{1}{EJ} = 1/3 \frac{b}{EJ}$$

$$L_{ED}^{xx} = \int_0^b (x^2/b^2) \frac{1}{EJ} dx = \left[1/3 x^3/b^2 \right]_0^b \frac{1}{EJ}$$

$$= (1/3 b) \frac{1}{EJ} = 1/3 \frac{b}{EJ}$$

$$L_{AB}^{xo} = \int_0^b (3/2 x/b - x^2/b^2 - 1/2 x^3/b^3) Fb \frac{1}{EJ} dx + 1 \cdot 0 \cdot \frac{1}{4} \frac{Fb^2}{EJ}$$

$$= \left[3/4 x^2/b - 1/3 x^3/b^2 - 1/8 x^4/b^3 \right]_0^b Fb \frac{1}{EJ} + 1 \cdot 0 \cdot \frac{1}{4} \frac{Fb^2}{EJ}$$

$$= (3/4 b - 1/3 b - 1/8 b) Fb \frac{1}{EJ} + 1 \cdot 0 \cdot \frac{1}{4} \frac{Fb^2}{EJ} = 7/24 \frac{Fb^2}{EJ}$$

$$L_{BA}^{xo} = \int_0^b (2x/b - 5/2 x^2/b^2 + 1/2 x^3/b^3) Fb \frac{1}{EJ} dx + 1 \cdot 0 \cdot \frac{1}{4} \frac{Fb^2}{EJ}$$

$$= \left[x^2/b - 5/6 x^3/b^2 + 1/8 x^4/b^3 \right]_0^b Fb \frac{1}{EJ} + 1 \cdot 0 \cdot \frac{1}{4} \frac{Fb^2}{EJ}$$

$$= (b - 5/6 b + 1/8 b) Fb \frac{1}{EJ} + 1 \cdot 0 \cdot \frac{1}{4} \frac{Fb^2}{EJ} = 7/24 \frac{Fb^2}{EJ}$$

$$L_{AD}^{xo} = \int_0^{2b} (-1/2 x/b) Fb \frac{1}{EJ} dx = \left[-1/4 x^2/b \right]_0^{2b} Fb \frac{1}{EJ}$$

$$= (-b) Fb \frac{1}{EJ} = - \frac{Fb^2}{EJ}$$

$$L_{DA}^{xo} = \int_0^{2b} (-1 + 1/2 x/b) Fb \frac{1}{EJ} dx = \left[-x + 1/4 x^2/b \right]_0^{2b} Fb \frac{1}{EJ}$$

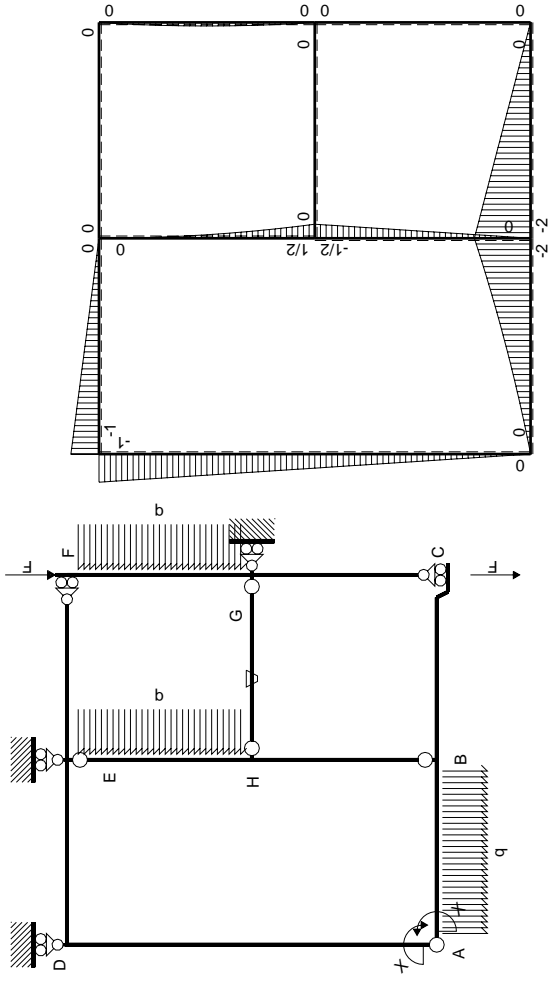
$$= (-2b + b) Fb \frac{1}{EJ} = - \frac{Fb^2}{EJ}$$

$$L_{DE}^{xo} = \int_0^b (-1 + 2x/b - x^2/b^2) Fb \frac{1}{EJ} dx = \left[-x + x^2/b - 1/3 x^3/b^2 \right]_0^b Fb \frac{1}{EJ}$$

$$= (-b + b - 1/3 b) Fb \frac{1}{EJ} = -1/3 \frac{Fb^2}{EJ}$$

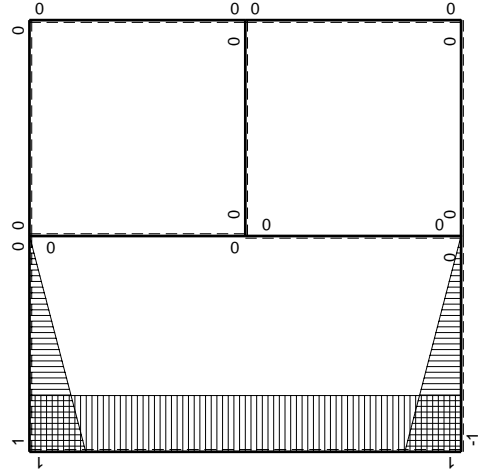
$$L_{ED}^{xo} = \int_0^b (-x^2/b^2) Fb \frac{1}{EJ} dx = \left[-1/3 x^3/b^2 \right]_0^b Fb \frac{1}{EJ}$$

$$= (-1/3 b) Fb \frac{1}{EJ} = -1/3 \frac{Fb^2}{EJ}$$



Schema di calcolo iperstatico

M_0 flessione da carichi assegnati



M_x flessione da iperstatica $X=1$

Quadro contributi PLV per iperstatica $X=W_{AB}$

→	$M_x(x)$	$M_o(x)$	θ	$M_x M_o$	$M_x \theta$	$M_x M_x$	$\int M_x(M_o/EJ+\theta)dx$	$\int X M_x M_x / EJ dx$	
AB b	$-1+x/b$	$-3/2Fx-1/2qx^2$	0	$3/2Fx-Fx^2/b-1/2qx^3/b$	0	$1-2x/b+x^2/b^2$	$(7/24+0)Fb^2/EJ$	$1/3Xb/EJ$	
BA b	x/b	$2Fb-5/2Fx+1/2qx^2$	0	$2Fx-5/2Fx^2/b+1/2qx^3/b$	0	x^2/b^2			
BC b	0	$-2Fb+2Fx$	0	0	0	0	0+0	0	
CB b	0	$2Fx$	0	0	0	0			
AD 2b	1	$-1/2Fx$	0	$-1/2Fx$	0	1	$(-1+0)Fb^2/EJ$	$2Xb/EJ$	
DA 2b	-1	$Fb-1/2Fx$	0	$-Fb+1/2Fx$	0	1			
DE b	$1-x/b$	$-Fb+Fx$	0	$-Fb+2Fx-Fx^2/b$	0	$1-2x/b+x^2/b^2$	$(-1/3+0)Fb^2/EJ$	$1/3Xb/EJ$	
ED b	$-x/b$	Fx	0	$-Fx^2/b$	0	x^2/b^2			
EF b	0	0	0	0	0	0	0+0	0	
FE b	0	0	0	0	0	0			
FG b	0	$1/2Fx-1/2qx^2$	0	0	0	0	0+0	0	
GF b	0	$-1/2Fx+1/2qx^2$	0	0	0	0			
GC b	0	0	0	0	0	0	0+0	0	
CG b	0	0	0	0	0	0			
HG b	0	0	$-Fb/EJ$	0	0	0	0+0	0	
GH b	0	0	Fb/EJ	0	0	0			
HB b	0	$-1/2Fb+1/2Fx$	0	0	0	0	0+0	0	
BH b	0	$1/2Fx$	0	0	0	0			
HE b	0	$1/2Fb-Fx+1/2qx^2$	0	0	0	0	0+0	0	
EH b	0	$-1/2qx^2$	0	0	0	0			
AB	molla asta $-W_{1AB} \setminus (W_{0AB} + XW_{1AB}) / k_{AB}$								$1/4Xb/EJ$
	totali							$-25/24Fb^2/EJ$	$35/12Xb/EJ$
	iperstatica $X=W_{AB}$							$5/14Fb$	

Sviluppi di calcolo iperstatica

$$L_{AB}^{xx} = \int_0^b (1 - 2x/b + x^2/b^2) \cdot 1/EJ \, dx + 1 \cdot 1/4 \cdot b/EJ = \left[x - x^2/b + 1/3 x^3/b^2 \right]_0^b \cdot 1/EJ + 1 \cdot 1/4 \cdot b/EJ$$

$$= (b - b + 1/3 b) \cdot 1/EJ + 1 \cdot 1/4 \cdot b/EJ = 7/12 \cdot b/EJ$$

$$L_{BA}^{xx} = \int_0^b (x^2/b^2) \cdot 1/EJ \, dx + 1 \cdot 1/4 \cdot b/EJ = \left[1/3 x^3/b^2 \right]_0^b \cdot 1/EJ + 1 \cdot 1/4 \cdot b/EJ$$

$$= (1/3 b) \cdot 1/EJ + 1 \cdot 1/4 \cdot b/EJ = 7/12 \cdot b/EJ$$

$$L_{AD}^{xx} = \int_0^{2b} (1) \cdot 1/EJ \, dx = \left[x \right]_0^{2b} \cdot 1/EJ$$

$$= (2b) \cdot 1/EJ = 2 \cdot b/EJ$$

$$L_{DA}^{xx} = \int_0^{2b} (1) \cdot 1/EJ \, dx = \left[x \right]_0^{2b} \cdot 1/EJ$$

$$= (2b) \cdot 1/EJ = 2 \cdot b/EJ$$

$$L_{DE}^{xx} = \int_0^b (1 - 2x/b + x^2/b^2) \cdot 1/EJ \, dx = \left[x - x^2/b + 1/3 x^3/b^2 \right]_0^b \cdot 1/EJ$$

$$= (b - b + 1/3 b) \cdot 1/EJ = 1/3 \cdot b/EJ$$

$$L_{ED}^{xx} = \int_0^b (x^2/b^2) \cdot 1/EJ \, dx = \left[1/3 x^3/b^2 \right]_0^b \cdot 1/EJ$$

$$= (1/3 b) \cdot 1/EJ = 1/3 \cdot b/EJ$$

$$L_{AB}^{xo} = \int_0^b (3/2 x/b - x^2/b^2 - 1/2 x^3/b^3) \cdot Fb \cdot 1/EJ \, dx + 1 \cdot 0 \cdot 1/4 \cdot Fb^2/EJ$$

$$= \left[3/4 x^2/b - 1/3 x^3/b^2 - 1/8 x^4/b^3 \right]_0^b \cdot Fb \cdot 1/EJ + 1 \cdot 0 \cdot 1/4 \cdot Fb^2/EJ$$

$$= (3/4 b - 1/3 b - 1/8 b) \cdot Fb \cdot 1/EJ + 1 \cdot 0 \cdot 1/4 \cdot Fb^2/EJ = 7/24 \cdot Fb^2/EJ$$

$$L_{BA}^{xo} = \int_0^b (2x/b - 5/2 x^2/b^2 + 1/2 x^3/b^3) \cdot Fb \cdot 1/EJ \, dx + 1 \cdot 0 \cdot 1/4 \cdot Fb^2/EJ$$

$$= \left[x^2/b - 5/6 x^3/b^2 + 1/8 x^4/b^3 \right]_0^b \cdot Fb \cdot 1/EJ + 1 \cdot 0 \cdot 1/4 \cdot Fb^2/EJ$$

$$= (b - 5/6 b + 1/8 b) \cdot Fb \cdot 1/EJ + 1 \cdot 0 \cdot 1/4 \cdot Fb^2/EJ = 7/24 \cdot Fb^2/EJ$$

$$L_{AD}^{xo} = \int_0^{2b} (-1/2 x/b) \cdot Fb \cdot 1/EJ \, dx = \left[-1/4 x^2/b \right]_0^{2b} \cdot Fb \cdot 1/EJ$$

$$= (-b) \cdot Fb \cdot 1/EJ = -Fb^2/EJ$$

$$L_{DA}^{xo} = \int_0^{2b} (-1 + 1/2 x/b) \cdot Fb \cdot 1/EJ \, dx = \left[-x + 1/4 x^2/b \right]_0^{2b} \cdot Fb \cdot 1/EJ$$

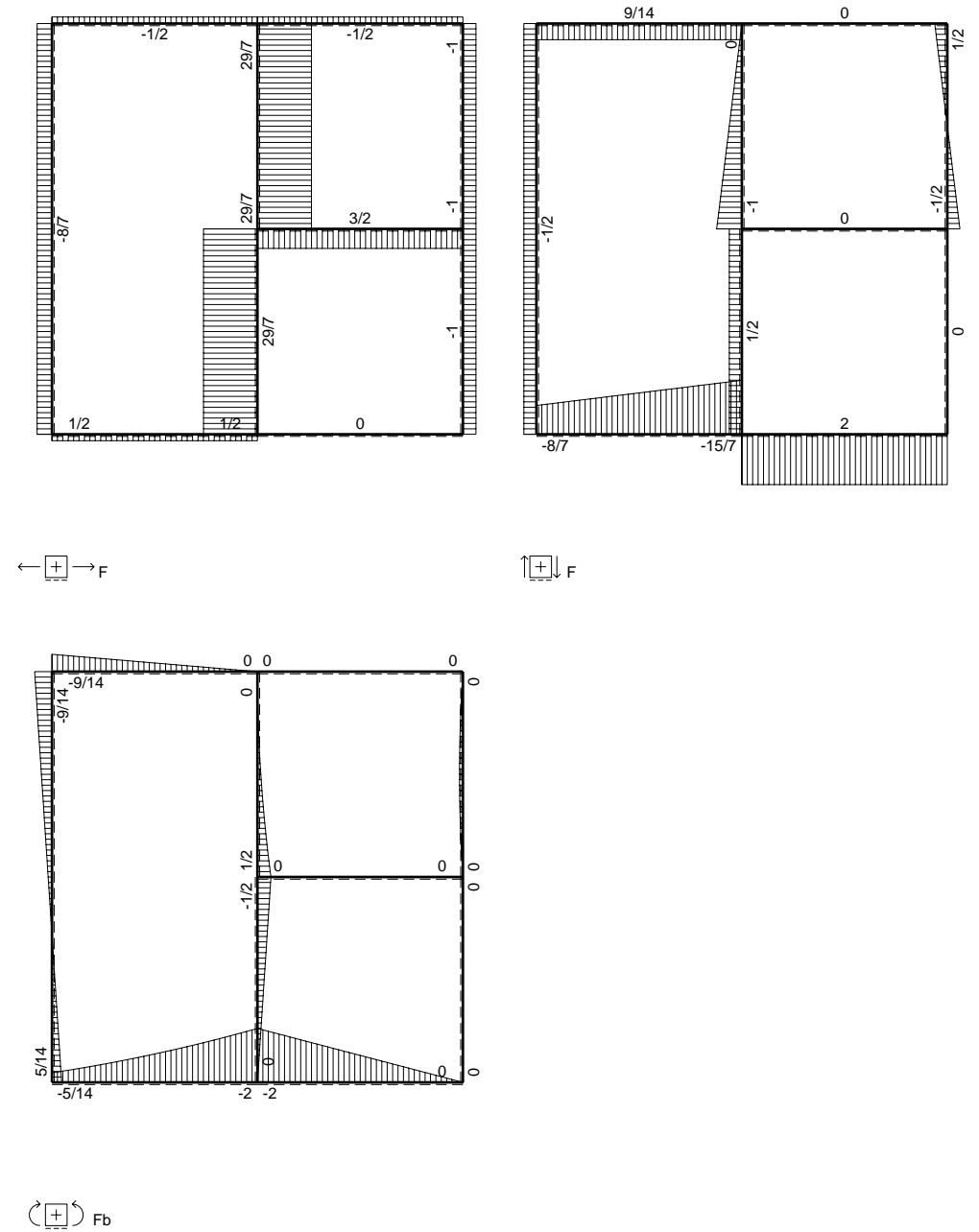
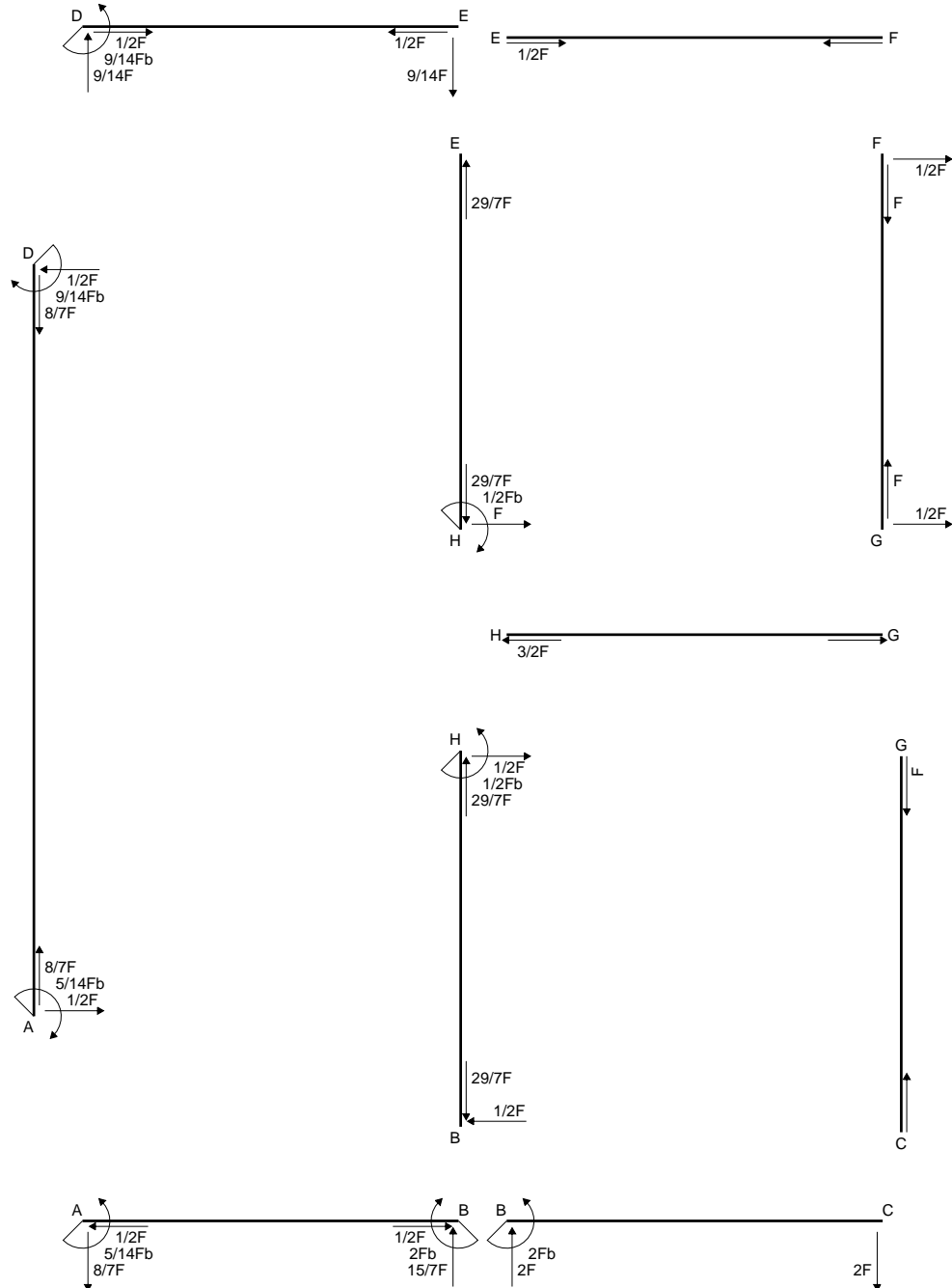
$$= (-2b + b) \cdot Fb \cdot 1/EJ = -Fb^2/EJ$$

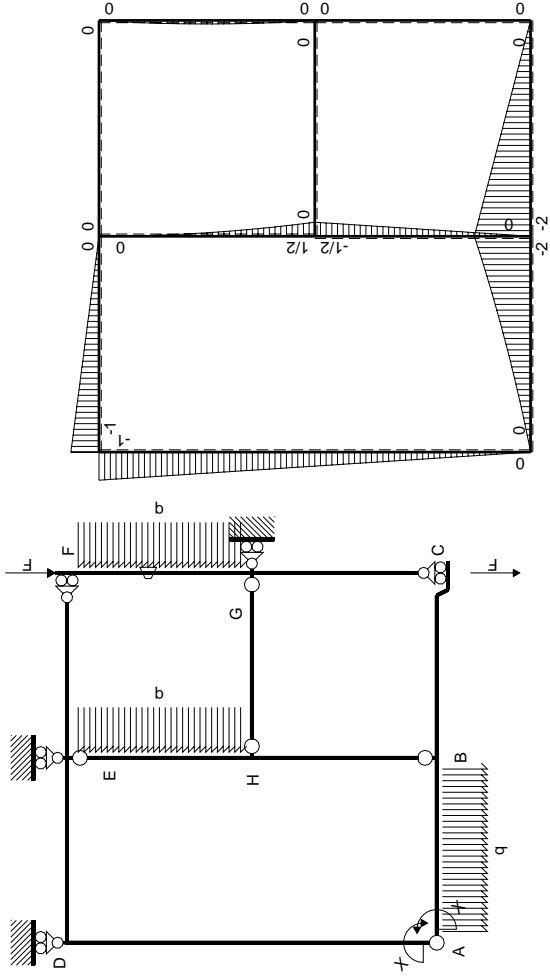
$$L_{DE}^{xo} = \int_0^b (-1 + 2x/b - x^2/b^2) \cdot Fb \cdot 1/EJ \, dx = \left[-x + x^2/b - 1/3 x^3/b^2 \right]_0^b \cdot Fb \cdot 1/EJ$$

$$= (-b + b - 1/3 b) \cdot Fb \cdot 1/EJ = -1/3 \cdot Fb^2/EJ$$

$$L_{ED}^{xo} = \int_0^b (-x^2/b^2) \cdot Fb \cdot 1/EJ \, dx = \left[-1/3 x^3/b^2 \right]_0^b \cdot Fb \cdot 1/EJ$$

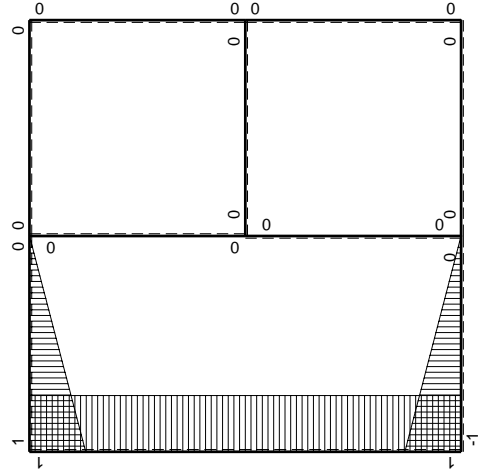
$$= (-1/3 b) \cdot Fb \cdot 1/EJ = -1/3 \cdot Fb^2/EJ$$





Schema di calcolo iperstatico

M_0 flessione da carichi assegnati



M_x flessione da iperstatica $X=1$

Quadro contributi PLV per iperstatica $X=W_{AB}$

→	$M_x(x)$	$M_o(x)$	θ	$M_x M_o$	$M_x \theta$	$M_x M_x$	$\int M_x(M_o/EJ+\theta)dx$	$\int X M_x M_x / EJ dx$	
AB b	$-1+x/b$	$-3/2Fx-1/2qx^2$	0	$3/2Fx-Fx^2/b-1/2qx^3/b$	0	$1-2x/b+x^2/b^2$	$(7/24+0)Fb^2/EJ$	$1/3Xb/EJ$	
BA b	x/b	$2Fb-5/2Fx+1/2qx^2$	0	$2Fx-5/2Fx^2/b+1/2qx^3/b$	0	x^2/b^2			
BC b	0	$-2Fb+2Fx$	0	0	0	0	0+0	0	
CB b	0	$2Fx$	0	0	0	0			
AD 2b	1	$-1/2Fx$	0	$-1/2Fx$	0	1	$(-1+0)Fb^2/EJ$	$2Xb/EJ$	
DA 2b	-1	$Fb-1/2Fx$	0	$-Fb+1/2Fx$	0	1			
DE b	$1-x/b$	$-Fb+Fx$	0	$-Fb+2Fx-Fx^2/b$	0	$1-2x/b+x^2/b^2$	$(-1/3+0)Fb^2/EJ$	$1/3Xb/EJ$	
ED b	$-x/b$	Fx	0	$-Fx^2/b$	0	x^2/b^2			
EF b	0	0	0	0	0	0	0+0	0	
FE b	0	0	0	0	0	0			
FG b	0	$1/2Fx-1/2qx^2$	$-Fb/EJ$	0	0	0	0+0	0	
GF b	0	$-1/2Fx+1/2qx^2$	Fb/EJ	0	0	0			
GC b	0	0	0	0	0	0	0+0	0	
CG b	0	0	0	0	0	0			
HG b	0	0	0	0	0	0	0+0	0	
GH b	0	0	0	0	0	0			
HB b	0	$-1/2Fb+1/2Fx$	0	0	0	0	0+0	0	
BH b	0	$1/2Fx$	0	0	0	0			
HE b	0	$1/2Fb-Fx+1/2qx^2$	0	0	0	0	0+0	0	
EH b	0	$-1/2qx^2$	0	0	0	0			
AB	molla asta $-W_{1AB}(W_{0AB}+XW_{1AB})/k_{AB}$								$1/4Xb/EJ$
	totali							$-25/24Fb^2/EJ$	$35/12Xb/EJ$
	iperstatica $X=W_{AB}$							$5/14Fb$	

Sviluppi di calcolo iperstatica

$$L_{AB}^{xx} = \int_0^b (1 - 2x/b + x^2/b^2) \cdot 1/EJ \, dx + 1 \cdot 1/4 \cdot b/EJ = \left[x - x^2/b + 1/3 x^3/b^2 \right]_0^b \cdot 1/EJ + 1 \cdot 1/4 \cdot b/EJ$$

$$= (b - b + 1/3 b) \cdot 1/EJ + 1 \cdot 1/4 \cdot b/EJ = 7/12 \cdot b/EJ$$

$$L_{BA}^{xx} = \int_0^b (x^2/b^2) \cdot 1/EJ \, dx + 1 \cdot 1/4 \cdot b/EJ = \left[1/3 x^3/b^2 \right]_0^b \cdot 1/EJ + 1 \cdot 1/4 \cdot b/EJ$$

$$= (1/3 b) \cdot 1/EJ + 1 \cdot 1/4 \cdot b/EJ = 7/12 \cdot b/EJ$$

$$L_{AD}^{xx} = \int_0^{2b} (1) \cdot 1/EJ \, dx = \left[x \right]_0^{2b} \cdot 1/EJ$$

$$= (2b) \cdot 1/EJ = 2 \cdot b/EJ$$

$$L_{DA}^{xx} = \int_0^{2b} (1) \cdot 1/EJ \, dx = \left[x \right]_0^{2b} \cdot 1/EJ$$

$$= (2b) \cdot 1/EJ = 2 \cdot b/EJ$$

$$L_{DE}^{xx} = \int_0^b (1 - 2x/b + x^2/b^2) \cdot 1/EJ \, dx = \left[x - x^2/b + 1/3 x^3/b^2 \right]_0^b \cdot 1/EJ$$

$$= (b - b + 1/3 b) \cdot 1/EJ = 1/3 \cdot b/EJ$$

$$L_{ED}^{xx} = \int_0^b (x^2/b^2) \cdot 1/EJ \, dx = \left[1/3 x^3/b^2 \right]_0^b \cdot 1/EJ$$

$$= (1/3 b) \cdot 1/EJ = 1/3 \cdot b/EJ$$

$$L_{AB}^{xo} = \int_0^b (3/2 x/b - x^2/b^2 - 1/2 x^3/b^3) \cdot Fb \cdot 1/EJ \, dx + 1 \cdot 0 \cdot 1/4 \cdot Fb^2/EJ$$

$$= \left[3/4 x^2/b - 1/3 x^3/b^2 - 1/8 x^4/b^3 \right]_0^b \cdot Fb \cdot 1/EJ + 1 \cdot 0 \cdot 1/4 \cdot Fb^2/EJ$$

$$= (3/4 b - 1/3 b - 1/8 b) \cdot Fb \cdot 1/EJ + 1 \cdot 0 \cdot 1/4 \cdot Fb^2/EJ = 7/24 \cdot Fb^2/EJ$$

$$L_{BA}^{xo} = \int_0^b (2 x/b - 5/2 x^2/b^2 + 1/2 x^3/b^3) \cdot Fb \cdot 1/EJ \, dx + 1 \cdot 0 \cdot 1/4 \cdot Fb^2/EJ$$

$$= \left[x^2/b - 5/6 x^3/b^2 + 1/8 x^4/b^3 \right]_0^b \cdot Fb \cdot 1/EJ + 1 \cdot 0 \cdot 1/4 \cdot Fb^2/EJ$$

$$= (b - 5/6 b + 1/8 b) \cdot Fb \cdot 1/EJ + 1 \cdot 0 \cdot 1/4 \cdot Fb^2/EJ = 7/24 \cdot Fb^2/EJ$$

$$L_{AD}^{xo} = \int_0^{2b} (-1/2 x/b) \cdot Fb \cdot 1/EJ \, dx = \left[-1/4 x^2/b \right]_0^{2b} \cdot Fb \cdot 1/EJ$$

$$= (-b) \cdot Fb \cdot 1/EJ = -Fb^2/EJ$$

$$L_{DA}^{xo} = \int_0^{2b} (-1 + 1/2 x/b) \cdot Fb \cdot 1/EJ \, dx = \left[-x + 1/4 x^2/b \right]_0^{2b} \cdot Fb \cdot 1/EJ$$

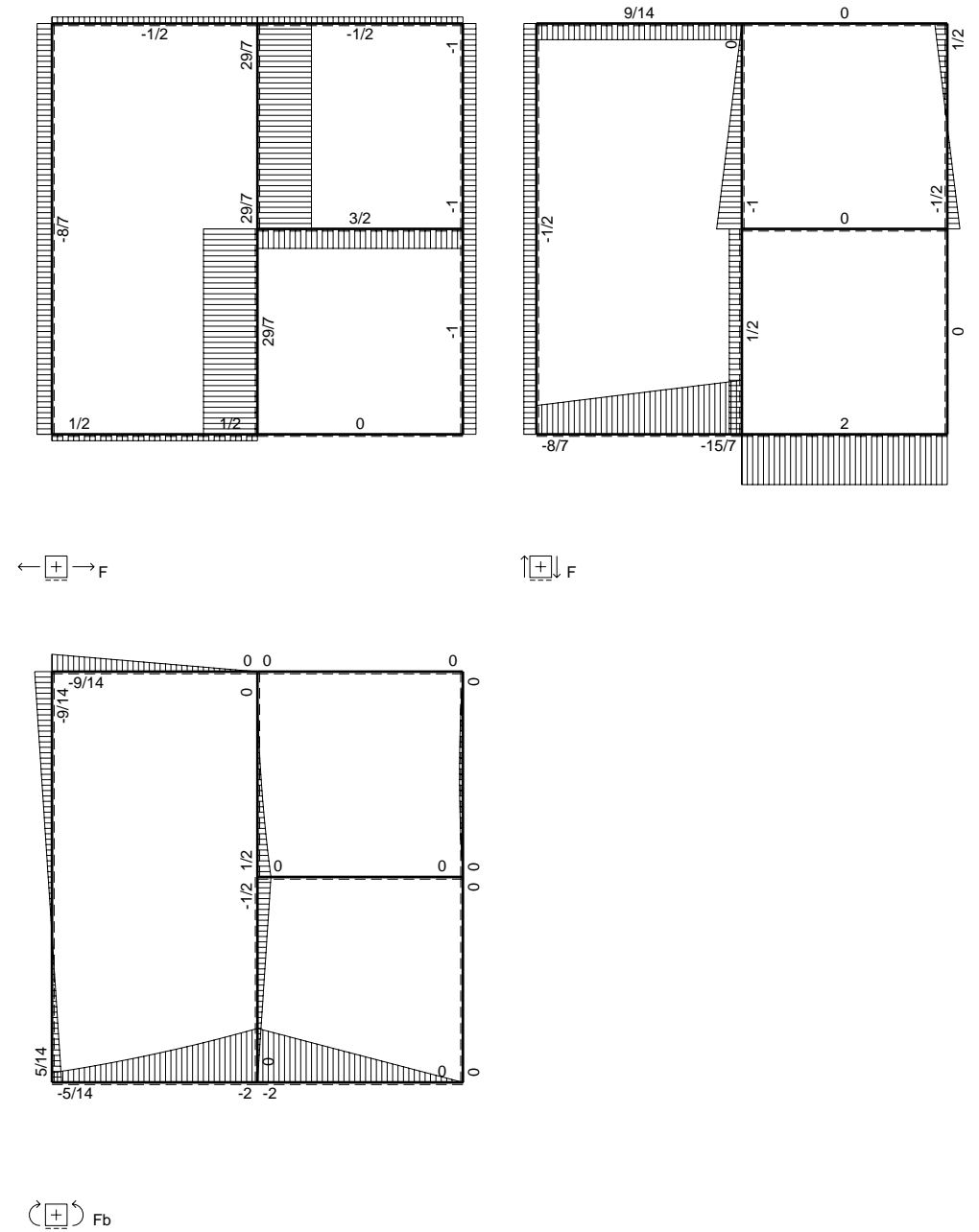
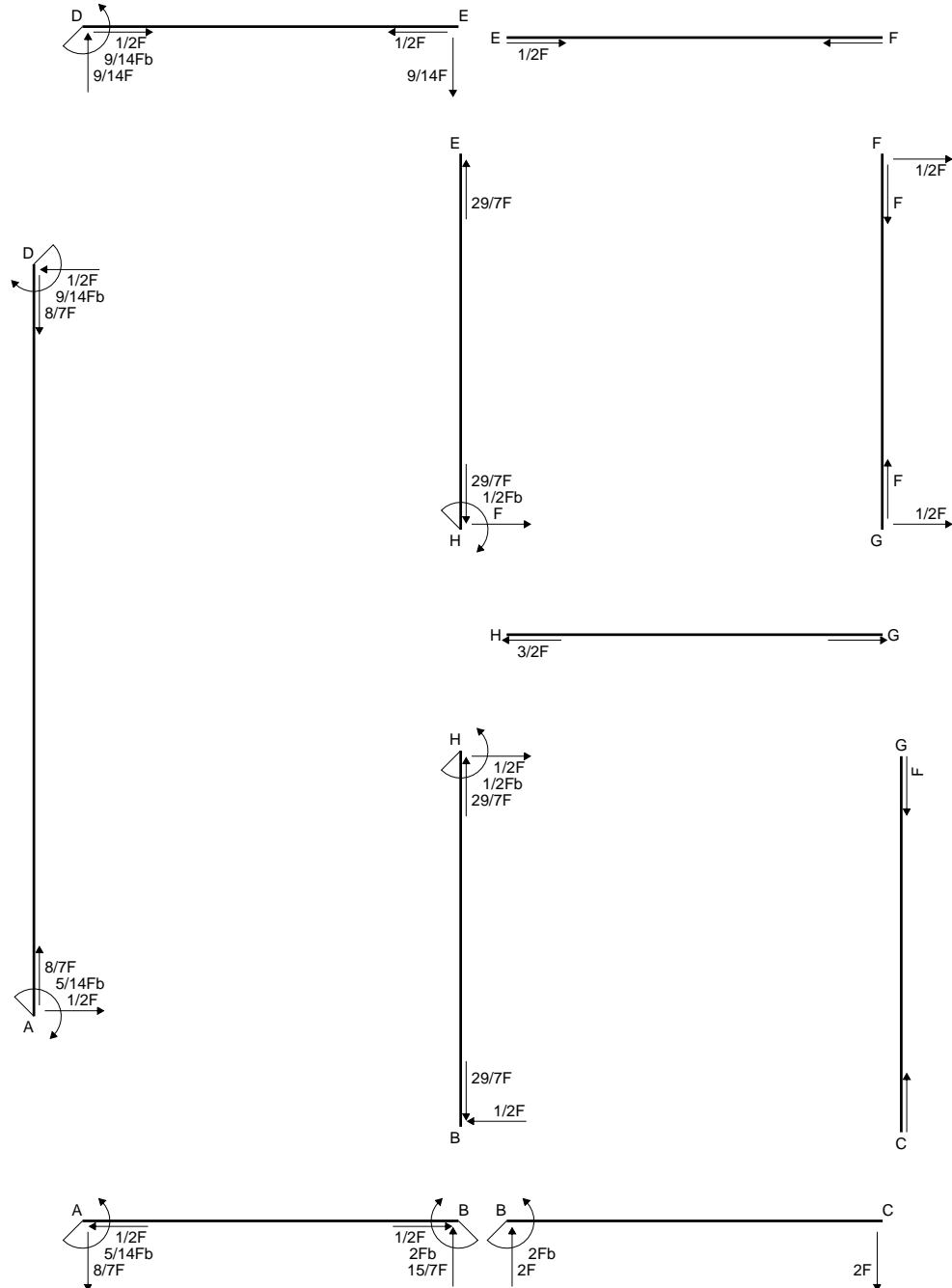
$$= (-2b + b) \cdot Fb \cdot 1/EJ = -Fb^2/EJ$$

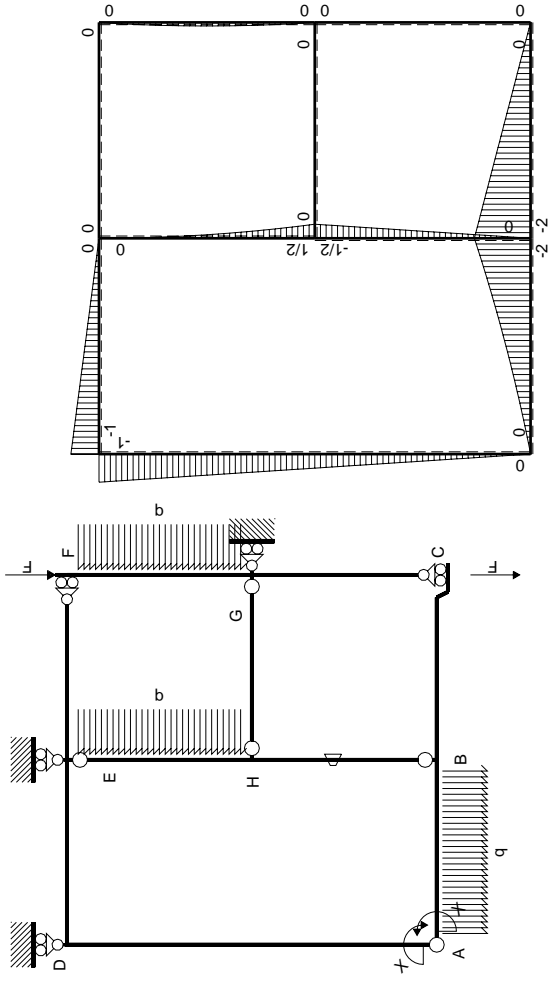
$$L_{DE}^{xo} = \int_0^b (-1 + 2x/b - x^2/b^2) \cdot Fb \cdot 1/EJ \, dx = \left[-x + x^2/b - 1/3 x^3/b^2 \right]_0^b \cdot Fb \cdot 1/EJ$$

$$= (-b + b - 1/3 b) \cdot Fb \cdot 1/EJ = -1/3 \cdot Fb^2/EJ$$

$$L_{ED}^{xo} = \int_0^b (-x^2/b^2) \cdot Fb \cdot 1/EJ \, dx = \left[-1/3 x^3/b^2 \right]_0^b \cdot Fb \cdot 1/EJ$$

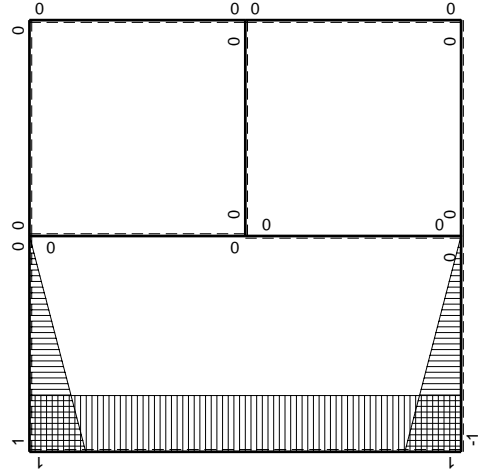
$$= (-1/3 b) \cdot Fb \cdot 1/EJ = -1/3 \cdot Fb^2/EJ$$





Schema di calcolo iperstatico

M_0 flessione da carichi assegnati



M_1 flessione da iperstatica $X=1$

Quadro contributi PLV per iperstatica $X=W_{AB}$

→	$M_x(x)$	$M_o(x)$	θ	$M_x M_o$	$M_x \theta$	$M_x M_x$	$\int M_x(M_o/EJ+\theta)dx$	$\int X M_x M_x/EJ dx$
AB b	$-1+x/b$	$-3/2Fx-1/2qx^2$	0	$3/2Fx-Fx^2/b-1/2qx^3/b$	0	$1-2x/b+x^2/b^2$	$(7/24+0)Fb^2/EJ$	$1/3Xb/EJ$
BA b	x/b	$2Fb-5/2Fx+1/2qx^2$	0	$2Fx-5/2Fx^2/b+1/2qx^3/b$	0	x^2/b^2		
BC b	0	$-2Fb+2Fx$	0	0	0	0	0+0	0
CB b	0	$2Fx$	0	0	0	0		
AD 2b	1	$-1/2Fx$	0	$-1/2Fx$	0	1	$(-1+0)Fb^2/EJ$	$2Xb/EJ$
DA 2b	-1	$Fb-1/2Fx$	0	$-Fb+1/2Fx$	0	1		
DE b	$1-x/b$	$-Fb+Fx$	0	$-Fb+2Fx-Fx^2/b$	0	$1-2x/b+x^2/b^2$	$(-1/3+0)Fb^2/EJ$	$1/3Xb/EJ$
ED b	$-x/b$	Fx	0	$-Fx^2/b$	0	x^2/b^2		
EF b	0	0	0	0	0	0	0+0	0
FE b	0	0	0	0	0	0		
FG b	0	$1/2Fx-1/2qx^2$	0	0	0	0	0+0	0
GF b	0	$-1/2Fx+1/2qx^2$	0	0	0	0		
GC b	0	0	0	0	0	0	0+0	0
CG b	0	0	0	0	0	0		
HG b	0	0	0	0	0	0	0+0	0
GH b	0	0	0	0	0	0		
HB b	0	$-1/2Fb+1/2Fx$	$-Fb/EJ$	0	0	0	0+0	0
BH b	0	$1/2Fx$	Fb/EJ	0	0	0		
HE b	0	$1/2Fb-Fx+1/2qx^2$	0	0	0	0	0+0	0
EH b	0	$-1/2qx^2$	0	0	0	0		
AB	molla asta $-W_{1AB}(W_{0AB}+XW_{1AB})/k_{AB}$							$1/4Xb/EJ$
	totali						$-25/24Fb^2/EJ$	$35/12Xb/EJ$
	iperstatica $X=W_{AB}$						$5/14Fb$	

Sviluppi di calcolo iperstatica

$$L_{AB}^{xx} = \int_0^b (1 - 2x/b + x^2/b^2) \cdot 1/EJ \, dx + 1 \cdot 1/4 \cdot b/EJ = \left[x - x^2/b + 1/3 x^3/b^2 \right]_0^b \cdot 1/EJ + 1 \cdot 1/4 \cdot b/EJ$$

$$= (b - b + 1/3 b) \cdot 1/EJ + 1 \cdot 1/4 \cdot b/EJ = 7/12 \cdot b/EJ$$

$$L_{BA}^{xx} = \int_0^b (x^2/b^2) \cdot 1/EJ \, dx + 1 \cdot 1/4 \cdot b/EJ = \left[1/3 x^3/b^2 \right]_0^b \cdot 1/EJ + 1 \cdot 1/4 \cdot b/EJ$$

$$= (1/3 b) \cdot 1/EJ + 1 \cdot 1/4 \cdot b/EJ = 7/12 \cdot b/EJ$$

$$L_{AD}^{xx} = \int_0^{2b} (1) \cdot 1/EJ \, dx = \left[x \right]_0^{2b} \cdot 1/EJ$$

$$= (2b) \cdot 1/EJ = 2 \cdot b/EJ$$

$$L_{DA}^{xx} = \int_0^{2b} (1) \cdot 1/EJ \, dx = \left[x \right]_0^{2b} \cdot 1/EJ$$

$$= (2b) \cdot 1/EJ = 2 \cdot b/EJ$$

$$L_{DE}^{xx} = \int_0^b (1 - 2x/b + x^2/b^2) \cdot 1/EJ \, dx = \left[x - x^2/b + 1/3 x^3/b^2 \right]_0^b \cdot 1/EJ$$

$$= (b - b + 1/3 b) \cdot 1/EJ = 1/3 \cdot b/EJ$$

$$L_{ED}^{xx} = \int_0^b (x^2/b^2) \cdot 1/EJ \, dx = \left[1/3 x^3/b^2 \right]_0^b \cdot 1/EJ$$

$$= (1/3 b) \cdot 1/EJ = 1/3 \cdot b/EJ$$

$$L_{AB}^{xo} = \int_0^b (3/2 x/b - x^2/b^2 - 1/2 x^3/b^3) \cdot Fb \cdot 1/EJ \, dx + 1 \cdot 0 \cdot 1/4 \cdot Fb^2/EJ$$

$$= \left[3/4 x^2/b - 1/3 x^3/b^2 - 1/8 x^4/b^3 \right]_0^b \cdot Fb \cdot 1/EJ + 1 \cdot 0 \cdot 1/4 \cdot Fb^2/EJ$$

$$= (3/4 b - 1/3 b - 1/8 b) \cdot Fb \cdot 1/EJ + 1 \cdot 0 \cdot 1/4 \cdot Fb^2/EJ = 7/24 \cdot Fb^2/EJ$$

$$L_{BA}^{xo} = \int_0^b (2x/b - 5/2 x^2/b^2 + 1/2 x^3/b^3) \cdot Fb \cdot 1/EJ \, dx + 1 \cdot 0 \cdot 1/4 \cdot Fb^2/EJ$$

$$= \left[x^2/b - 5/6 x^3/b^2 + 1/8 x^4/b^3 \right]_0^b \cdot Fb \cdot 1/EJ + 1 \cdot 0 \cdot 1/4 \cdot Fb^2/EJ$$

$$= (b - 5/6 b + 1/8 b) \cdot Fb \cdot 1/EJ + 1 \cdot 0 \cdot 1/4 \cdot Fb^2/EJ = 7/24 \cdot Fb^2/EJ$$

$$L_{AD}^{xo} = \int_0^{2b} (-1/2 x/b) \cdot Fb \cdot 1/EJ \, dx = \left[-1/4 x^2/b \right]_0^{2b} \cdot Fb \cdot 1/EJ$$

$$= (-b) \cdot Fb \cdot 1/EJ = -Fb^2/EJ$$

$$L_{DA}^{xo} = \int_0^{2b} (-1 + 1/2 x/b) \cdot Fb \cdot 1/EJ \, dx = \left[-x + 1/4 x^2/b \right]_0^{2b} \cdot Fb \cdot 1/EJ$$

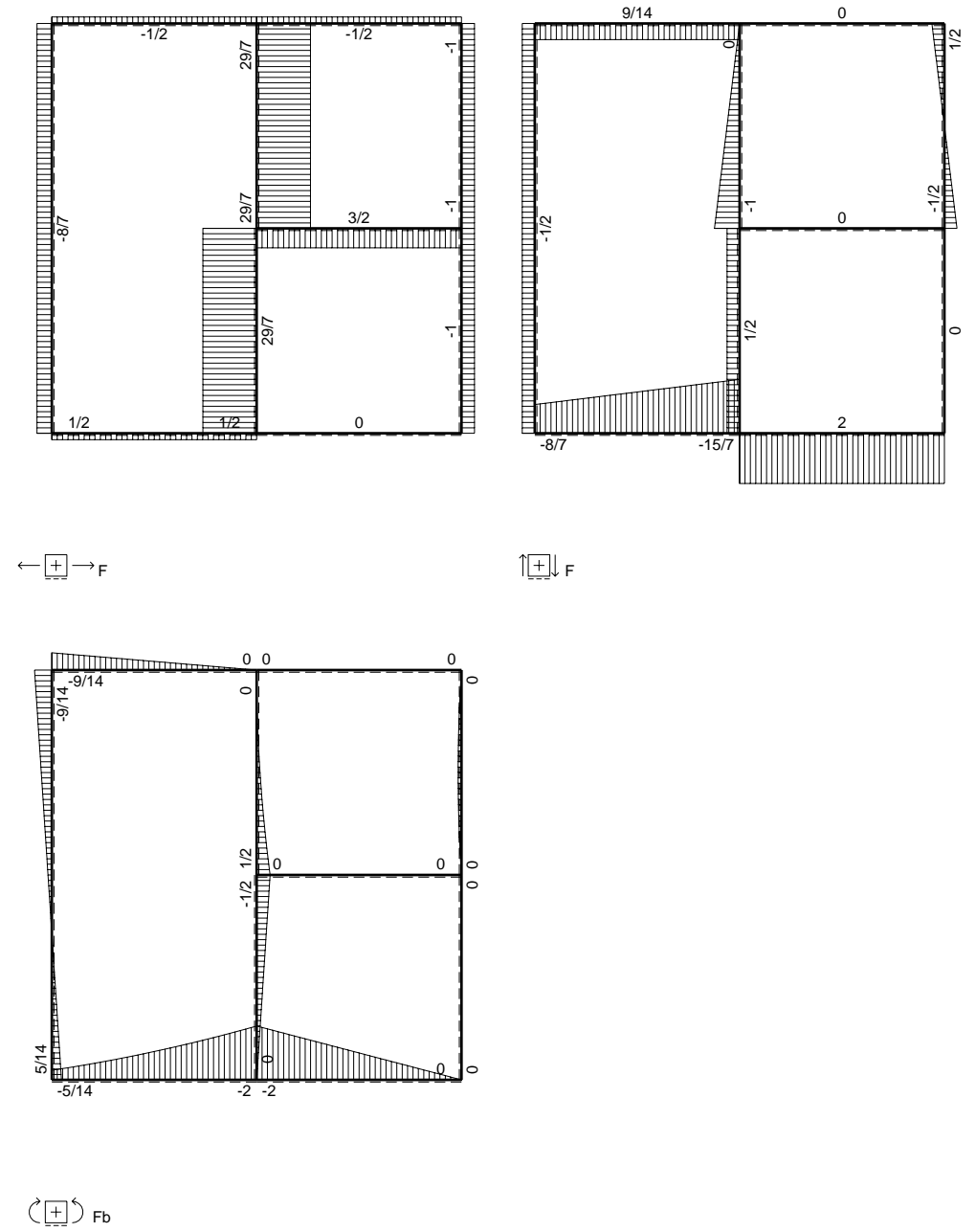
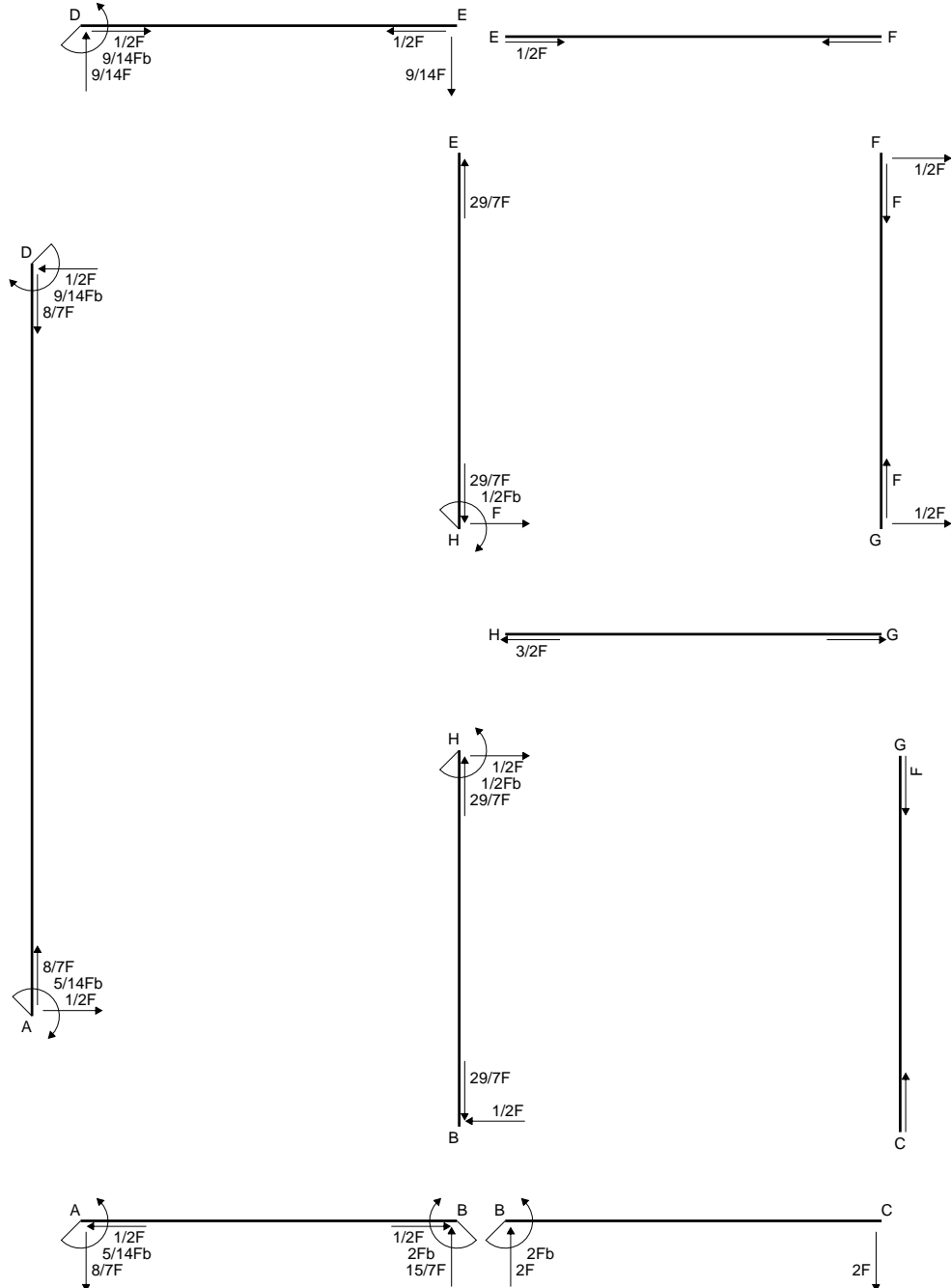
$$= (-2b + b) \cdot Fb \cdot 1/EJ = -Fb^2/EJ$$

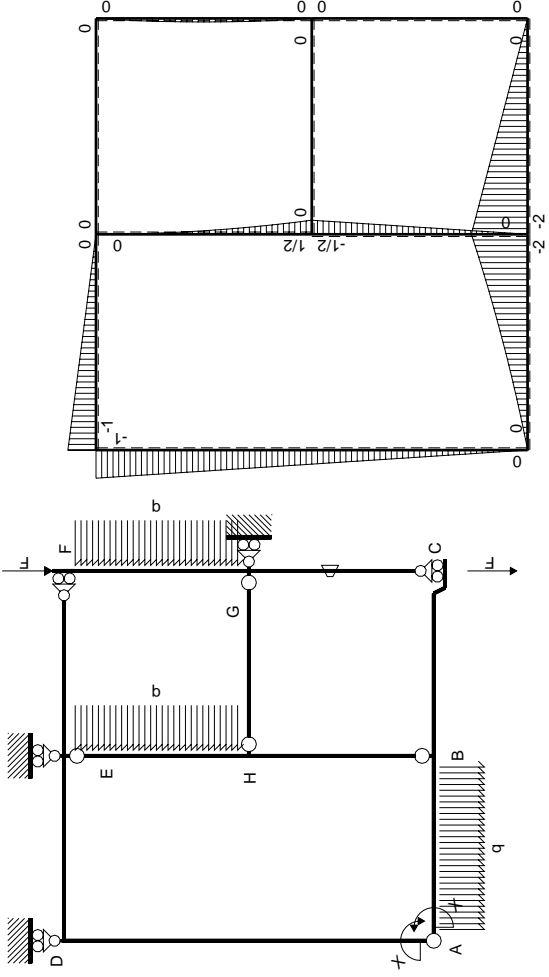
$$L_{DE}^{xo} = \int_0^b (-1 + 2x/b - x^2/b^2) \cdot Fb \cdot 1/EJ \, dx = \left[-x + x^2/b - 1/3 x^3/b^2 \right]_0^b \cdot Fb \cdot 1/EJ$$

$$= (-b + b - 1/3 b) \cdot Fb \cdot 1/EJ = -1/3 \cdot Fb^2/EJ$$

$$L_{ED}^{xo} = \int_0^b (-x^2/b^2) \cdot Fb \cdot 1/EJ \, dx = \left[-1/3 x^3/b^2 \right]_0^b \cdot Fb \cdot 1/EJ$$

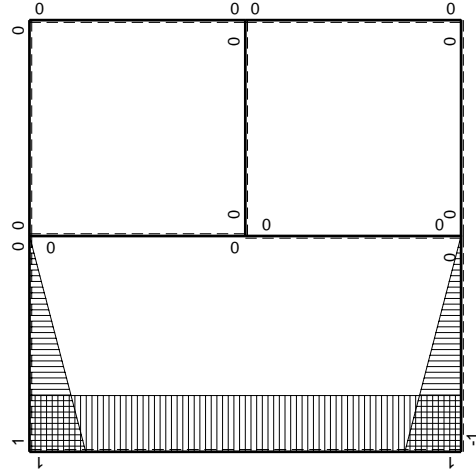
$$= (-1/3 b) \cdot Fb \cdot 1/EJ = -1/3 \cdot Fb^2/EJ$$





Schema di calcolo iperstatico

M_0 flessione da carichi assegnati



M_x flessione da iperstatica $X=1$

Quadro contributi PLV per iperstatica $X=W_{AB}$

→	$M_x(x)$	$M_o(x)$	θ	$M_x M_o$	$M_x \theta$	$M_x M_x$	$\int M_x(M_o/EJ+\theta)dx$	$\int X M_x M_x/EJ dx$	
AB b	$-1+x/b$	$-3/2Fx-1/2qx^2$	0	$3/2Fx-Fx^2/b-1/2qx^3/b$	0	$1-2x/b+x^2/b^2$	$(7/24+0)Fb^2/EJ$	$1/3Xb/EJ$	
BA b	x/b	$2Fb-5/2Fx+1/2qx^2$	0	$2Fx-5/2Fx^2/b+1/2qx^3/b$	0	x^2/b^2			
BC b	0	$-2Fb+2Fx$	0	0	0	0	0+0	0	
CB b	0	$2Fx$	0	0	0	0			
AD 2b	1	$-1/2Fx$	0	$-1/2Fx$	0	1	$(-1+0)Fb^2/EJ$	$2Xb/EJ$	
DA 2b	-1	$Fb-1/2Fx$	0	$-Fb+1/2Fx$	0	1			
DE b	$1-x/b$	$-Fb+Fx$	0	$-Fb+2Fx-Fx^2/b$	0	$1-2x/b+x^2/b^2$	$(-1/3+0)Fb^2/EJ$	$1/3Xb/EJ$	
ED b	$-x/b$	Fx	0	$-Fx^2/b$	0	x^2/b^2			
EF b	0	0	0	0	0	0	0+0	0	
FE b	0	0	0	0	0	0			
FG b	0	$1/2Fx-1/2qx^2$	0	0	0	0	0+0	0	
GF b	0	$-1/2Fx+1/2qx^2$	0	0	0	0			
GC b	0	0	$-Fb/EJ$	0	0	0	0+0	0	
CG b	0	0	Fb/EJ	0	0	0			
HG b	0	0	0	0	0	0	0+0	0	
GH b	0	0	0	0	0	0			
HB b	0	$-1/2Fb+1/2Fx$	0	0	0	0	0+0	0	
BH b	0	$1/2Fx$	0	0	0	0			
HE b	0	$1/2Fb-Fx+1/2qx^2$	0	0	0	0	0+0	0	
EH b	0	$-1/2qx^2$	0	0	0	0			
AB	molla asta $-W_{1AB}(W_{0AB}+XW_{1AB})/k_{AB}$								$1/4Xb/EJ$
	totali							$-25/24Fb^2/EJ$	$35/12Xb/EJ$
	iperstatica $X=W_{AB}$							$5/14Fb$	

Sviluppi di calcolo iperstatica

$$L_{AB}^{xx} = \int_0^b (1 - 2x/b + x^2/b^2) \frac{1}{EJ} dx + 1 \cdot \frac{1}{4} \frac{b}{EJ} = \left[x - x^2/b + 1/3 x^3/b^2 \right]_0^b \frac{1}{EJ} + 1 \cdot \frac{1}{4} \frac{b}{EJ}$$

$$= (b - b + 1/3 b) \frac{1}{EJ} + 1 \cdot \frac{1}{4} \frac{b}{EJ} = 7/12 \frac{b}{EJ}$$

$$L_{BA}^{xx} = \int_0^b (x^2/b^2) \frac{1}{EJ} dx + 1 \cdot \frac{1}{4} \frac{b}{EJ} = \left[1/3 x^3/b^2 \right]_0^b \frac{1}{EJ} + 1 \cdot \frac{1}{4} \frac{b}{EJ}$$

$$= (1/3 b) \frac{1}{EJ} + 1 \cdot \frac{1}{4} \frac{b}{EJ} = 7/12 \frac{b}{EJ}$$

$$L_{AD}^{xx} = \int_0^{2b} (1) \frac{1}{EJ} dx = \left[x \right]_0^{2b} \frac{1}{EJ}$$

$$= (2b) \frac{1}{EJ} = 2 \frac{b}{EJ}$$

$$L_{DA}^{xx} = \int_0^{2b} (1) \frac{1}{EJ} dx = \left[x \right]_0^{2b} \frac{1}{EJ}$$

$$= (2b) \frac{1}{EJ} = 2 \frac{b}{EJ}$$

$$L_{DE}^{xx} = \int_0^b (1 - 2x/b + x^2/b^2) \frac{1}{EJ} dx = \left[x - x^2/b + 1/3 x^3/b^2 \right]_0^b \frac{1}{EJ}$$

$$= (b - b + 1/3 b) \frac{1}{EJ} = 1/3 \frac{b}{EJ}$$

$$L_{ED}^{xx} = \int_0^b (x^2/b^2) \frac{1}{EJ} dx = \left[1/3 x^3/b^2 \right]_0^b \frac{1}{EJ}$$

$$= (1/3 b) \frac{1}{EJ} = 1/3 \frac{b}{EJ}$$

$$L_{AB}^{xo} = \int_0^b (3/2 x/b - x^2/b^2 - 1/2 x^3/b^3) Fb \frac{1}{EJ} dx + 1 \cdot 0 \cdot \frac{1}{4} \frac{Fb^2}{EJ}$$

$$= \left[3/4 x^2/b - 1/3 x^3/b^2 - 1/8 x^4/b^3 \right]_0^b Fb \frac{1}{EJ} + 1 \cdot 0 \cdot \frac{1}{4} \frac{Fb^2}{EJ}$$

$$= (3/4 b - 1/3 b - 1/8 b) Fb \frac{1}{EJ} + 1 \cdot 0 \cdot \frac{1}{4} \frac{Fb^2}{EJ} = 7/24 \frac{Fb^2}{EJ}$$

$$L_{BA}^{xo} = \int_0^b (2x/b - 5/2 x^2/b^2 + 1/2 x^3/b^3) Fb \frac{1}{EJ} dx + 1 \cdot 0 \cdot \frac{1}{4} \frac{Fb^2}{EJ}$$

$$= \left[x^2/b - 5/6 x^3/b^2 + 1/8 x^4/b^3 \right]_0^b Fb \frac{1}{EJ} + 1 \cdot 0 \cdot \frac{1}{4} \frac{Fb^2}{EJ}$$

$$= (b - 5/6 b + 1/8 b) Fb \frac{1}{EJ} + 1 \cdot 0 \cdot \frac{1}{4} \frac{Fb^2}{EJ} = 7/24 \frac{Fb^2}{EJ}$$

$$L_{AD}^{xo} = \int_0^{2b} (-1/2 x/b) Fb \frac{1}{EJ} dx = \left[-1/4 x^2/b \right]_0^{2b} Fb \frac{1}{EJ}$$

$$= (-b) Fb \frac{1}{EJ} = - \frac{Fb^2}{EJ}$$

$$L_{DA}^{xo} = \int_0^{2b} (-1 + 1/2 x/b) Fb \frac{1}{EJ} dx = \left[-x + 1/4 x^2/b \right]_0^{2b} Fb \frac{1}{EJ}$$

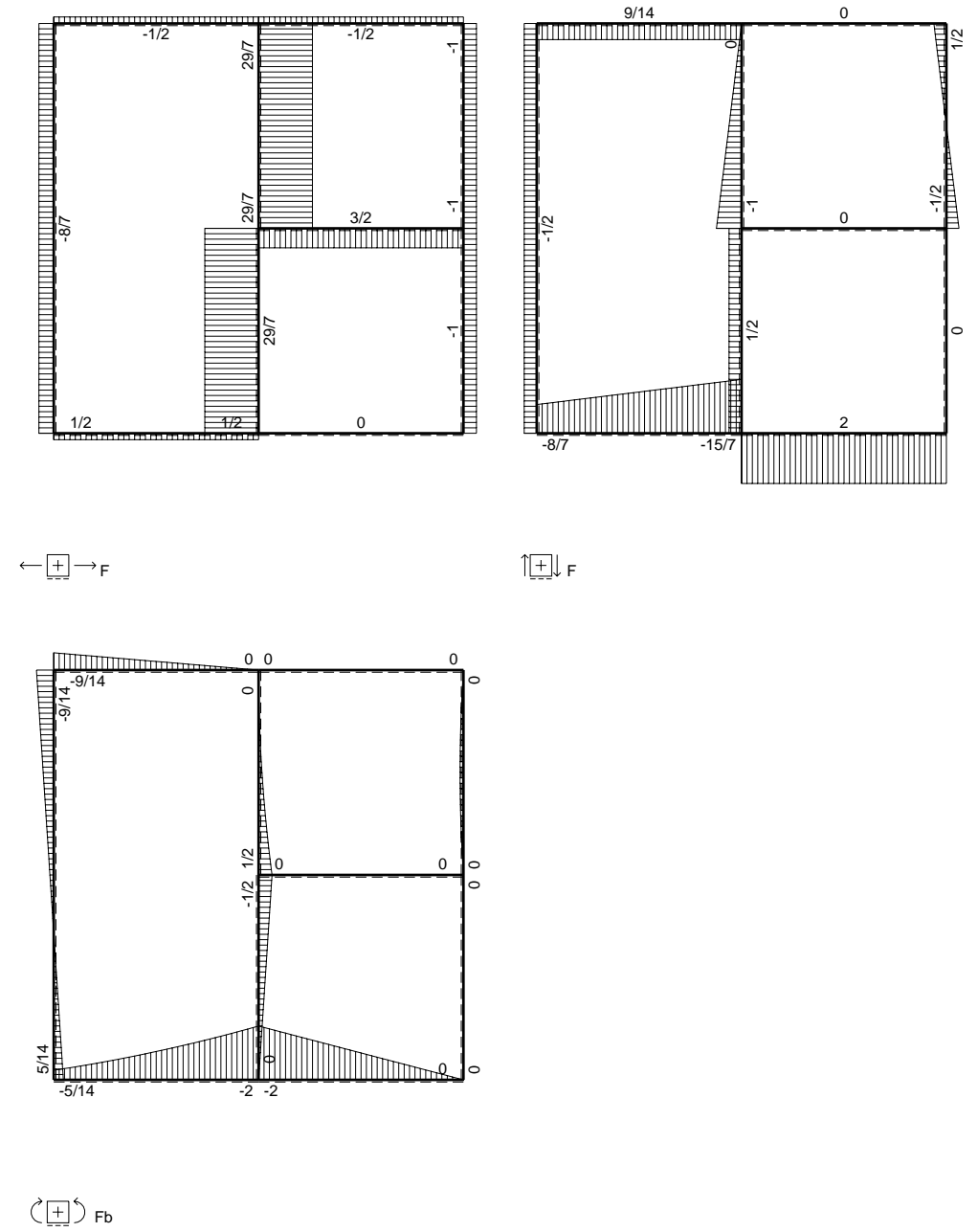
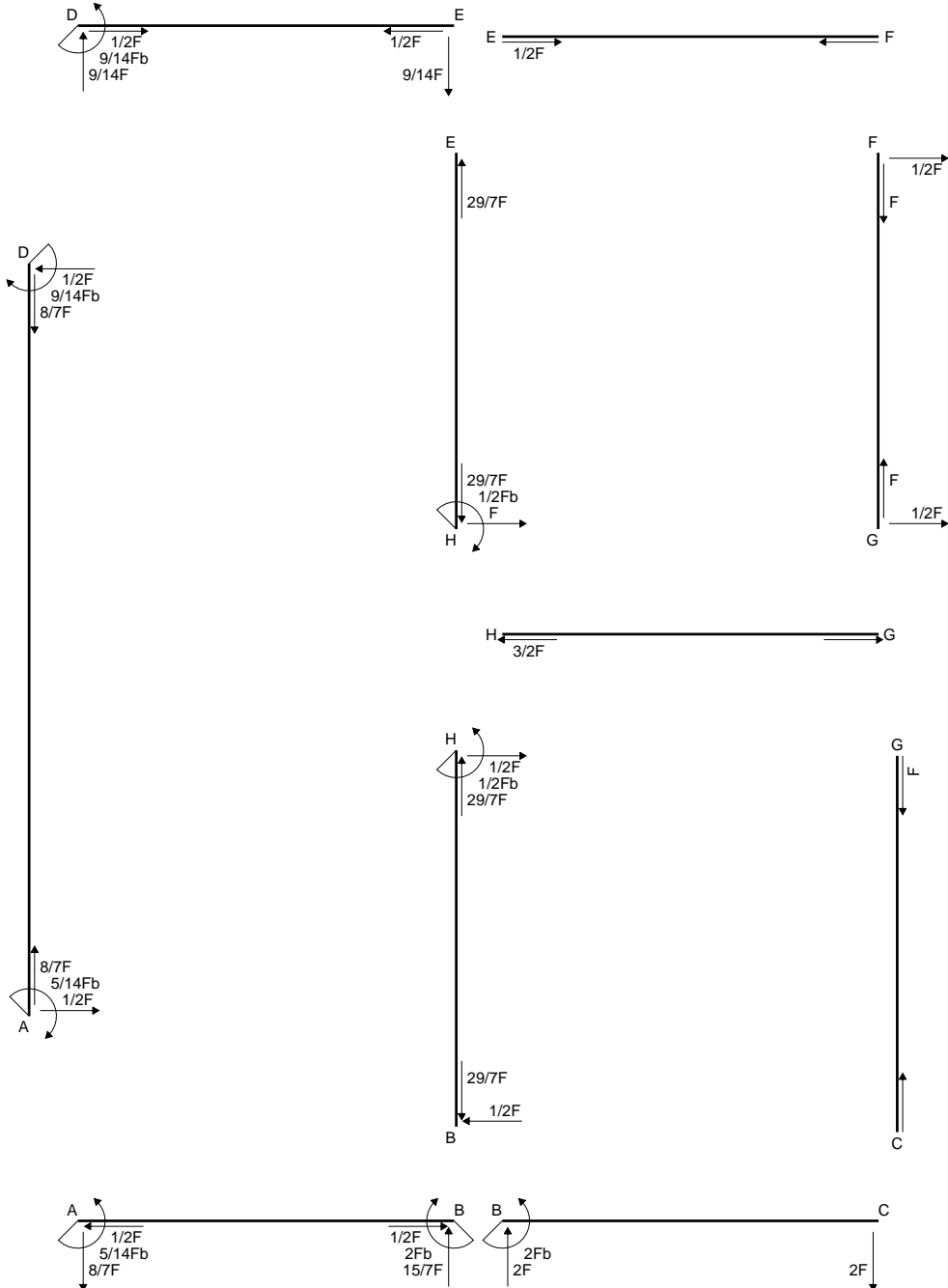
$$= (-2b + b) Fb \frac{1}{EJ} = - \frac{Fb^2}{EJ}$$

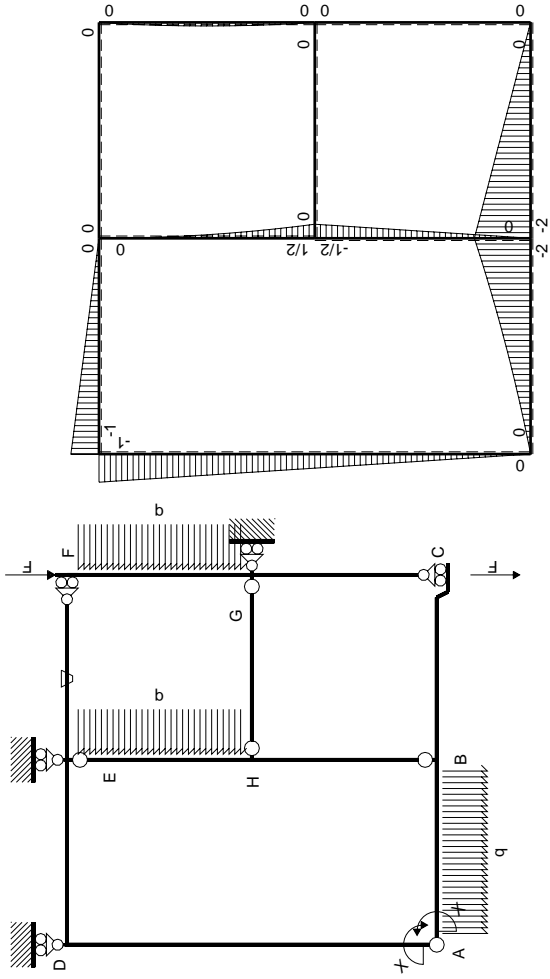
$$L_{DE}^{xo} = \int_0^b (-1 + 2x/b - x^2/b^2) Fb \frac{1}{EJ} dx = \left[-x + x^2/b - 1/3 x^3/b^2 \right]_0^b Fb \frac{1}{EJ}$$

$$= (-b + b - 1/3 b) Fb \frac{1}{EJ} = -1/3 \frac{Fb^2}{EJ}$$

$$L_{ED}^{xo} = \int_0^b (-x^2/b^2) Fb \frac{1}{EJ} dx = \left[-1/3 x^3/b^2 \right]_0^b Fb \frac{1}{EJ}$$

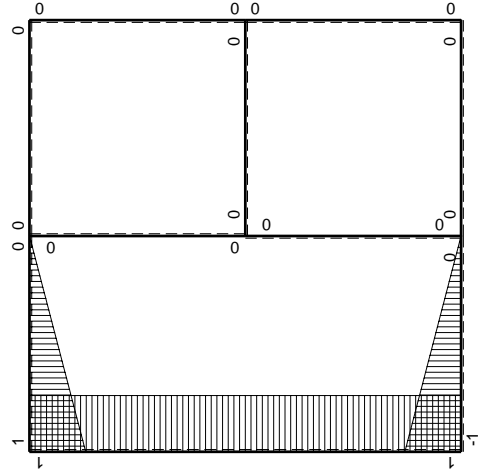
$$= (-1/3 b) Fb \frac{1}{EJ} = -1/3 \frac{Fb^2}{EJ}$$





Schema di calcolo iperstatico

M_0 flessione da carichi assegnati



M_x flessione da iperstatica $X=1$

Quadro contributi PLV per iperstatica $X=W_{AB}$

→	$M_x(x)$	$M_o(x)$	θ	$M_x M_o$	$M_x \theta$	$M_x M_x$	$\int M_x(M_o/EJ+\theta)dx$	$\int X M_x M_x/EJ dx$	
AB b	$-1+x/b$	$-3/2Fx-1/2qx^2$	0	$3/2Fx-Fx^2/b-1/2qx^3/b$	0	$1-2x/b+x^2/b^2$	$(7/24+0)Fb^2/EJ$	$1/3Xb/EJ$	
BA b	x/b	$2Fb-5/2Fx+1/2qx^2$	0	$2Fx-5/2Fx^2/b+1/2qx^3/b$	0	x^2/b^2			
BC b	0	$-2Fb+2Fx$	0	0	0	0	0+0	0	
CB b	0	$2Fx$	0	0	0	0			
AD 2b	1	$-1/2Fx$	0	$-1/2Fx$	0	1	$(-1+0)Fb^2/EJ$	$2Xb/EJ$	
DA 2b	-1	$Fb-1/2Fx$	0	$-Fb+1/2Fx$	0	1			
DE b	$1-x/b$	$-Fb+Fx$	0	$-Fb+2Fx-Fx^2/b$	0	$1-2x/b+x^2/b^2$	$(-1/3+0)Fb^2/EJ$	$1/3Xb/EJ$	
ED b	$-x/b$	Fx	0	$-Fx^2/b$	0	x^2/b^2			
EF b	0	0	$-Fb/EJ$	0	0	0	0+0	0	
FE b	0	0	Fb/EJ	0	0	0			
FG b	0	$1/2Fx-1/2qx^2$	0	0	0	0	0+0	0	
GF b	0	$-1/2Fx+1/2qx^2$	0	0	0	0			
GC b	0	0	0	0	0	0	0+0	0	
CG b	0	0	0	0	0	0			
HG b	0	0	0	0	0	0	0+0	0	
GH b	0	0	0	0	0	0			
HB b	0	$-1/2Fb+1/2Fx$	0	0	0	0	0+0	0	
BH b	0	$1/2Fx$	0	0	0	0			
HE b	0	$1/2Fb-Fx+1/2qx^2$	0	0	0	0	0+0	0	
EH b	0	$-1/2qx^2$	0	0	0	0			
AB	molla asta $-W_{1AB}(W_{0AB}+XW_{1AB})/k_{AB}$								$1/4Xb/EJ$
	totali							$-25/24Fb^2/EJ$	$35/12Xb/EJ$
	iperstatica $X=W_{AB}$							$5/14Fb$	

Sviluppi di calcolo iperstatica

$$L_{AB}^{xx} = \int_0^b (1 - 2x/b + x^2/b^2) \frac{1}{EJ} dx + 1 \cdot \frac{1}{4} \frac{b}{EJ} = \left[x - x^2/b + 1/3 x^3/b^2 \right]_0^b \frac{1}{EJ} + 1 \cdot \frac{1}{4} \frac{b}{EJ}$$

$$= (b - b + 1/3 b) \frac{1}{EJ} + 1 \cdot \frac{1}{4} \frac{b}{EJ} = 7/12 \frac{b}{EJ}$$

$$L_{BA}^{xx} = \int_0^b (x^2/b^2) \frac{1}{EJ} dx + 1 \cdot \frac{1}{4} \frac{b}{EJ} = \left[1/3 x^3/b^2 \right]_0^b \frac{1}{EJ} + 1 \cdot \frac{1}{4} \frac{b}{EJ}$$

$$= (1/3 b) \frac{1}{EJ} + 1 \cdot \frac{1}{4} \frac{b}{EJ} = 7/12 \frac{b}{EJ}$$

$$L_{AD}^{xx} = \int_0^{2b} (1) \frac{1}{EJ} dx = \left[x \right]_0^{2b} \frac{1}{EJ}$$

$$= (2b) \frac{1}{EJ} = 2 \frac{b}{EJ}$$

$$L_{DA}^{xx} = \int_0^{2b} (1) \frac{1}{EJ} dx = \left[x \right]_0^{2b} \frac{1}{EJ}$$

$$= (2b) \frac{1}{EJ} = 2 \frac{b}{EJ}$$

$$L_{DE}^{xx} = \int_0^b (1 - 2x/b + x^2/b^2) \frac{1}{EJ} dx = \left[x - x^2/b + 1/3 x^3/b^2 \right]_0^b \frac{1}{EJ}$$

$$= (b - b + 1/3 b) \frac{1}{EJ} = 1/3 \frac{b}{EJ}$$

$$L_{ED}^{xx} = \int_0^b (x^2/b^2) \frac{1}{EJ} dx = \left[1/3 x^3/b^2 \right]_0^b \frac{1}{EJ}$$

$$= (1/3 b) \frac{1}{EJ} = 1/3 \frac{b}{EJ}$$

$$L_{AB}^{xo} = \int_0^b (3/2 x/b - x^2/b^2 - 1/2 x^3/b^3) Fb \frac{1}{EJ} dx + 1 \cdot 0 \cdot \frac{1}{4} \frac{Fb^2}{EJ}$$

$$= \left[3/4 x^2/b - 1/3 x^3/b^2 - 1/8 x^4/b^3 \right]_0^b Fb \frac{1}{EJ} + 1 \cdot 0 \cdot \frac{1}{4} \frac{Fb^2}{EJ}$$

$$= (3/4 b - 1/3 b - 1/8 b) Fb \frac{1}{EJ} + 1 \cdot 0 \cdot \frac{1}{4} \frac{Fb^2}{EJ} = 7/24 \frac{Fb^2}{EJ}$$

$$L_{BA}^{xo} = \int_0^b (2x/b - 5/2 x^2/b^2 + 1/2 x^3/b^3) Fb \frac{1}{EJ} dx + 1 \cdot 0 \cdot \frac{1}{4} \frac{Fb^2}{EJ}$$

$$= \left[x^2/b - 5/6 x^3/b^2 + 1/8 x^4/b^3 \right]_0^b Fb \frac{1}{EJ} + 1 \cdot 0 \cdot \frac{1}{4} \frac{Fb^2}{EJ}$$

$$= (b - 5/6 b + 1/8 b) Fb \frac{1}{EJ} + 1 \cdot 0 \cdot \frac{1}{4} \frac{Fb^2}{EJ} = 7/24 \frac{Fb^2}{EJ}$$

$$L_{AD}^{xo} = \int_0^{2b} (-1/2 x/b) Fb \frac{1}{EJ} dx = \left[-1/4 x^2/b \right]_0^{2b} Fb \frac{1}{EJ}$$

$$= (-b) Fb \frac{1}{EJ} = - \frac{Fb^2}{EJ}$$

$$L_{DA}^{xo} = \int_0^{2b} (-1 + 1/2 x/b) Fb \frac{1}{EJ} dx = \left[-x + 1/4 x^2/b \right]_0^{2b} Fb \frac{1}{EJ}$$

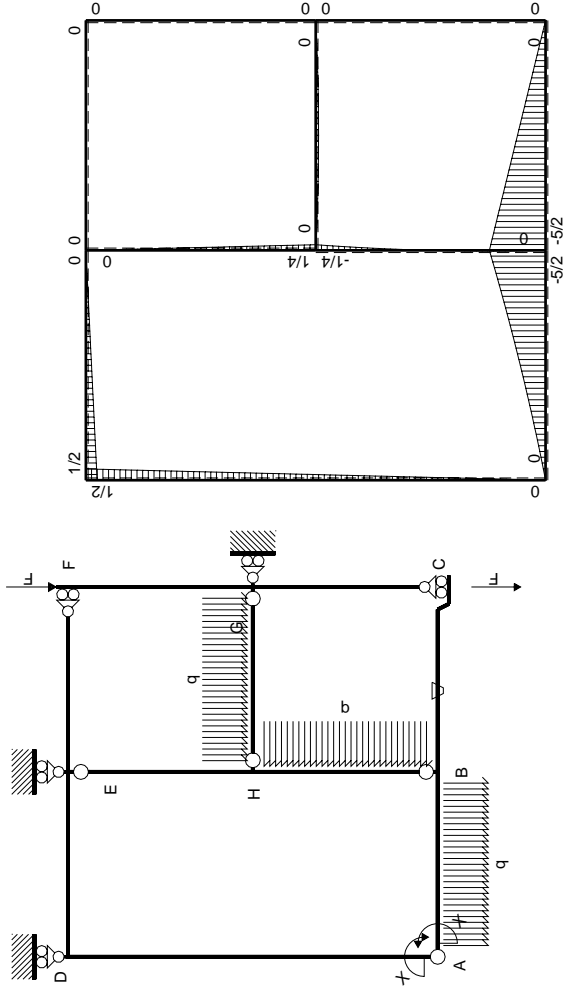
$$= (-2b + b) Fb \frac{1}{EJ} = - \frac{Fb^2}{EJ}$$

$$L_{DE}^{xo} = \int_0^b (-1 + 2x/b - x^2/b^2) Fb \frac{1}{EJ} dx = \left[-x + x^2/b - 1/3 x^3/b^2 \right]_0^b Fb \frac{1}{EJ}$$

$$= (-b + b - 1/3 b) Fb \frac{1}{EJ} = -1/3 \frac{Fb^2}{EJ}$$

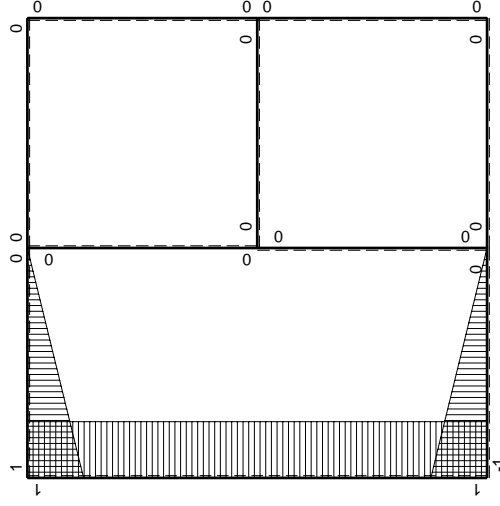
$$L_{ED}^{xo} = \int_0^b (-x^2/b^2) Fb \frac{1}{EJ} dx = \left[-1/3 x^3/b^2 \right]_0^b Fb \frac{1}{EJ}$$

$$= (-1/3 b) Fb \frac{1}{EJ} = -1/3 \frac{Fb^2}{EJ}$$



Schema di calcolo iperstatico

M_0 flessione da carichi assegnati



M_X flessione da iperstatica $X=1$

Quadro contributi PLV per iperstatica $X=W_{AB}$

→	$M_x(x)$	$M_o(x)$	θ	$M_x M_o$	$M_x \theta$	$M_x M_x$	$\int M_x(M_o/EJ+\theta)dx$	$\int X M_x M_x/EJ dx$
AB b	$-1+x/b$	$-2Fx-1/2qx^2$	0	$2Fx-3/2Fx^2/b-1/2qx^3/b$	0	$1-2x/b+x^2/b^2$	$(3/8+0)Fb^2/EJ$	$1/3Xb/EJ$
BA b	x/b	$5/2Fb-3Fx+1/2qx^2$	0	$5/2Fx-3Fx^2/b+1/2qx^3/b$	0	x^2/b^2		
BC b	0	$-5/2Fb+5/2Fx$	$-Fb/EJ$	0	0	0	0+0	0
CB b	0	$5/2Fx$	Fb/EJ	0	0	0		
AD 2b	1	$1/4Fx$	0	$1/4Fx$	0	1	$(1/2+0)Fb^2/EJ$	$2Xb/EJ$
DA 2b	-1	$-1/2Fb+1/4Fx$	0	$1/2Fb-1/4Fx$	0	1		
DE b	$1-x/b$	$1/2Fb-1/2Fx$	0	$1/2Fb-Fx+1/2Fx^2/b$	0	$1-2x/b+x^2/b^2$	$(1/6+0)Fb^2/EJ$	$1/3Xb/EJ$
ED b	$-x/b$	$-1/2Fx$	0	$1/2Fx^2/b$	0	x^2/b^2		
EF b	0	0	0	0	0	0	0+0	0
FE b	0	0	0	0	0	0		
FG b	0	0	0	0	0	0	0+0	0
GF b	0	0	0	0	0	0		
GC b	0	0	0	0	0	0	0+0	0
CG b	0	0	0	0	0	0		
HG b	0	$1/2Fx-1/2qx^2$	0	0	0	0	0+0	0
GH b	0	$-1/2Fx+1/2qx^2$	0	0	0	0		
HB b	0	$-1/4Fb+3/4Fx-1/2qx^2$	0	0	0	0	0+0	0
BH b	0	$-1/4Fx+1/2qx^2$	0	0	0	0		
HE b	0	$1/4Fb-1/4Fx$	0	0	0	0	0+0	0
EH b	0	$-1/4Fx$	0	0	0	0		
AB	molla asta $-W_{1AB}(W_{0AB}+XW_{1AB})/k_{AB}$							$1/4Xb/EJ$
	totali						$25/24Fb^2/EJ$	$35/12Xb/EJ$
	iperstatica $X=W_{AB}$						$-5/14Fb$	

Sviluppi di calcolo iperstatica

$$L_{AB}^{xx} = \int_0^b (1 - 2x/b + x^2/b^2) \frac{1}{EJ} dx + 1 \cdot \frac{1}{4} \frac{b}{EJ} = \left[x - x^2/b + 1/3 x^3/b^2 \right]_0^b \frac{1}{EJ} + 1 \cdot \frac{1}{4} \frac{b}{EJ}$$

$$= (b - b + 1/3 b) \frac{1}{EJ} + 1 \cdot \frac{1}{4} \frac{b}{EJ} = 7/12 \frac{b}{EJ}$$

$$L_{BA}^{xx} = \int_0^b (x^2/b^2) \frac{1}{EJ} dx + 1 \cdot \frac{1}{4} \frac{b}{EJ} = \left[1/3 x^3/b^2 \right]_0^b \frac{1}{EJ} + 1 \cdot \frac{1}{4} \frac{b}{EJ}$$

$$= (1/3 b) \frac{1}{EJ} + 1 \cdot \frac{1}{4} \frac{b}{EJ} = 7/12 \frac{b}{EJ}$$

$$L_{AD}^{xx} = \int_0^{2b} (1) \frac{1}{EJ} dx = \left[x \right]_0^{2b} \frac{1}{EJ}$$

$$= (2b) \frac{1}{EJ} = 2 \frac{b}{EJ}$$

$$L_{DA}^{xx} = \int_0^{2b} (1) \frac{1}{EJ} dx = \left[x \right]_0^{2b} \frac{1}{EJ}$$

$$= (2b) \frac{1}{EJ} = 2 \frac{b}{EJ}$$

$$L_{DE}^{xx} = \int_0^b (1 - 2x/b + x^2/b^2) \frac{1}{EJ} dx = \left[x - x^2/b + 1/3 x^3/b^2 \right]_0^b \frac{1}{EJ}$$

$$= (b - b + 1/3 b) \frac{1}{EJ} = 1/3 \frac{b}{EJ}$$

$$L_{ED}^{xx} = \int_0^b (x^2/b^2) \frac{1}{EJ} dx = \left[1/3 x^3/b^2 \right]_0^b \frac{1}{EJ}$$

$$= (1/3 b) \frac{1}{EJ} = 1/3 \frac{b}{EJ}$$

$$L_{AB}^{xo} = \int_0^b (2x/b - 3/2 x^2/b^2 - 1/2 x^3/b^3) Fb \frac{1}{EJ} dx + 1 \cdot 0 \cdot \frac{1}{4} \frac{Fb^2}{EJ}$$

$$= \left[x^2/b - 1/2 x^3/b^2 - 1/8 x^4/b^3 \right]_0^b Fb \frac{1}{EJ} + 1 \cdot 0 \cdot \frac{1}{4} \frac{Fb^2}{EJ}$$

$$= (b - 1/2 b - 1/8 b) Fb \frac{1}{EJ} + 1 \cdot 0 \cdot \frac{1}{4} \frac{Fb^2}{EJ} = 3/8 \frac{Fb^2}{EJ}$$

$$L_{BA}^{xo} = \int_0^b (5/2 x/b - 3 x^2/b^2 + 1/2 x^3/b^3) Fb \frac{1}{EJ} dx + 1 \cdot 0 \cdot \frac{1}{4} \frac{Fb^2}{EJ}$$

$$= \left[5/4 x^2/b - x^3/b^2 + 1/8 x^4/b^3 \right]_0^b Fb \frac{1}{EJ} + 1 \cdot 0 \cdot \frac{1}{4} \frac{Fb^2}{EJ}$$

$$= (5/4 b - b + 1/8 b) Fb \frac{1}{EJ} + 1 \cdot 0 \cdot \frac{1}{4} \frac{Fb^2}{EJ} = 3/8 \frac{Fb^2}{EJ}$$

$$L_{AD}^{xo} = \int_0^{2b} (1/4 x/b) Fb \frac{1}{EJ} dx = \left[1/8 x^2/b \right]_0^{2b} Fb \frac{1}{EJ}$$

$$= (1/2 b) Fb \frac{1}{EJ} = 1/2 \frac{Fb^2}{EJ}$$

$$L_{DA}^{xo} = \int_0^{2b} (1/2 - 1/4 x/b) Fb \frac{1}{EJ} dx = \left[1/2 x - 1/8 x^2/b \right]_0^{2b} Fb \frac{1}{EJ}$$

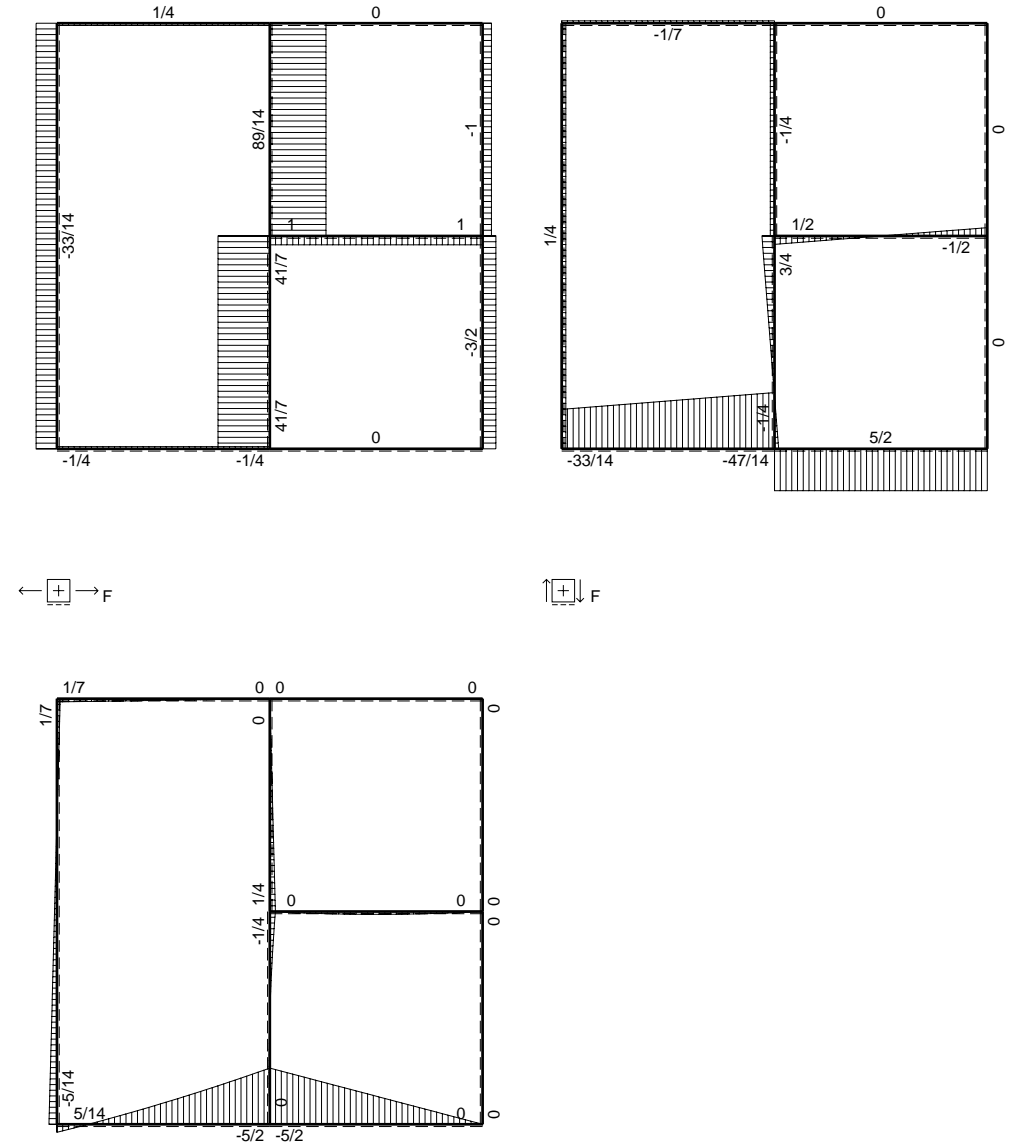
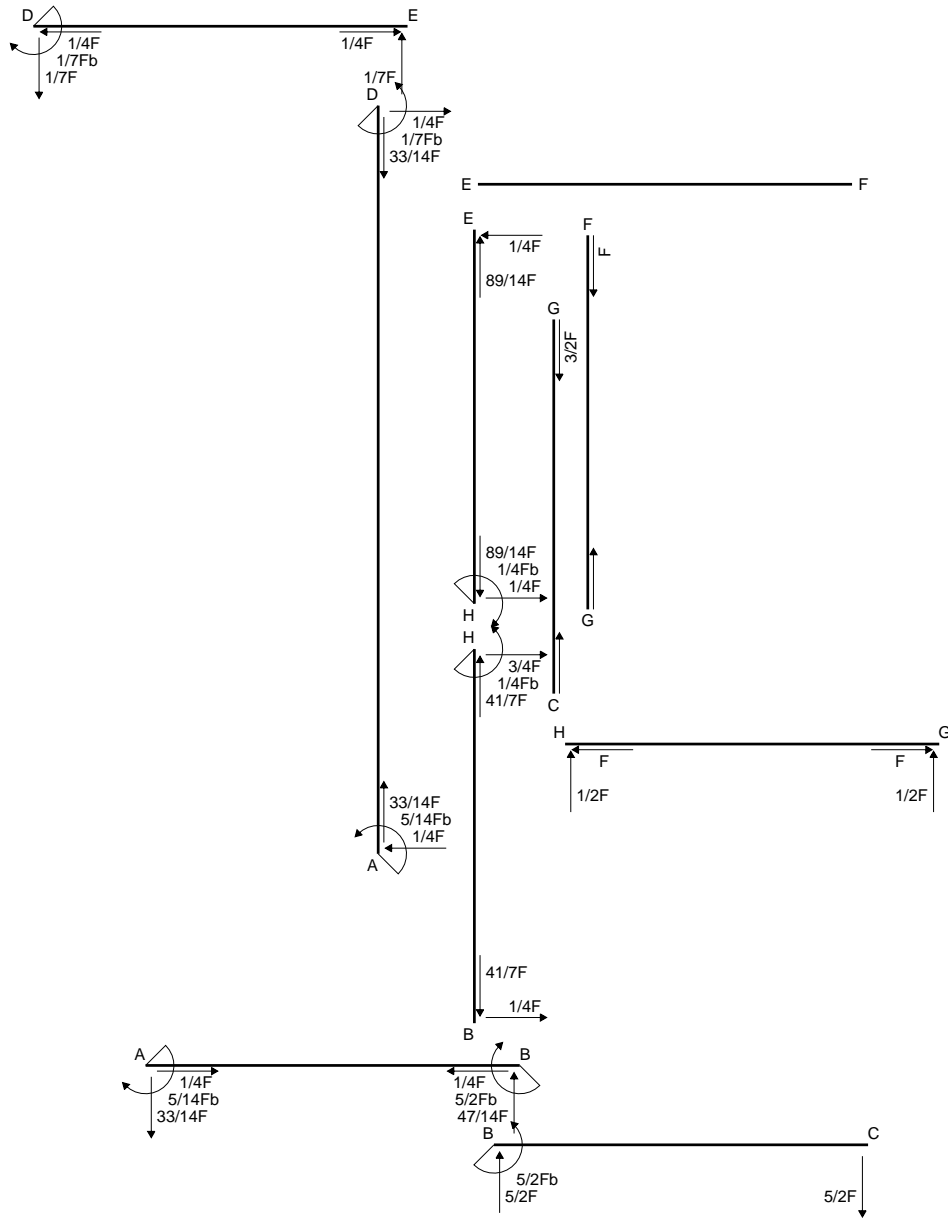
$$= (b - 1/2 b) Fb \frac{1}{EJ} = 1/2 \frac{Fb^2}{EJ}$$

$$L_{DE}^{xo} = \int_0^b (1/2 - x/b + 1/2 x^2/b^2) Fb \frac{1}{EJ} dx = \left[1/2 x - 1/2 x^2/b + 1/6 x^3/b^2 \right]_0^b Fb \frac{1}{EJ}$$

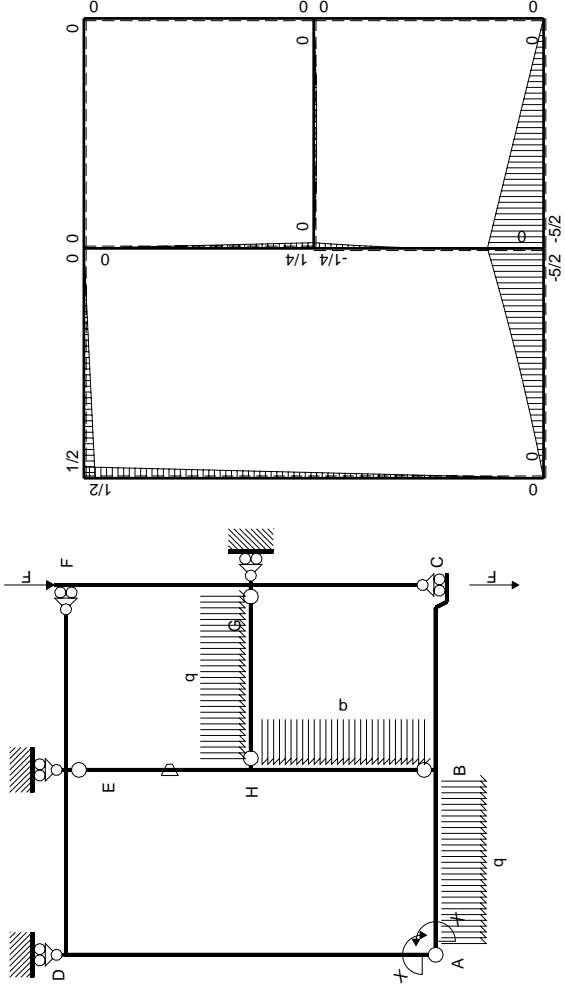
$$= (1/2 b - 1/2 b + 1/6 b) Fb \frac{1}{EJ} = 1/6 \frac{Fb^2}{EJ}$$

$$L_{ED}^{xo} = \int_0^b (1/2 x^2/b^2) Fb \frac{1}{EJ} dx = \left[1/6 x^3/b^2 \right]_0^b Fb \frac{1}{EJ}$$

$$= (1/6 b) Fb \frac{1}{EJ} = 1/6 \frac{Fb^2}{EJ}$$

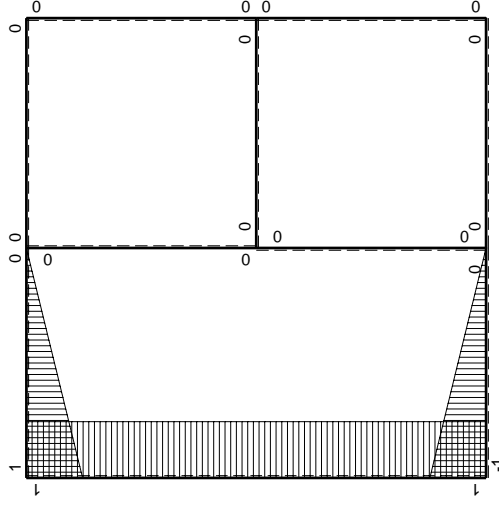


$\left(\begin{smallmatrix} + \\ - \end{smallmatrix}\right) F_b$



Schema di calcolo iperstatico

M_0 flessione da carichi assegnati



M_x flessione da iperstatica $X=1$

Quadro contributi PLV per iperstatica $X=W_{AB}$

→	$M_x(x)$	$M_o(x)$	θ	$M_x M_o$	$M_x \theta$	$M_x M_x$	$\int M_x(M_o/EJ+\theta)dx$	$\int X M_x M_x/EJ dx$
AB b	$-1+x/b$	$-2Fx-1/2qx^2$	0	$2Fx-3/2Fx^2/b-1/2qx^3/b$	0	$1-2x/b+x^2/b^2$	$(3/8+0)Fb^2/EJ$	$1/3Xb/EJ$
BA b	x/b	$5/2Fb-3Fx+1/2qx^2$	0	$5/2Fx-3Fx^2/b+1/2qx^3/b$	0	x^2/b^2		
BC b	0	$-5/2Fb+5/2Fx$	0	0	0	0	0+0	0
CB b	0	$5/2Fx$	0	0	0	0		
AD 2b	1	$1/4Fx$	0	$1/4Fx$	0	1	$(1/2+0)Fb^2/EJ$	$2Xb/EJ$
DA 2b	-1	$-1/2Fb+1/4Fx$	0	$1/2Fb-1/4Fx$	0	1		
DE b	$1-x/b$	$1/2Fb-1/2Fx$	0	$1/2Fb-Fx+1/2Fx^2/b$	0	$1-2x/b+x^2/b^2$	$(1/6+0)Fb^2/EJ$	$1/3Xb/EJ$
ED b	$-x/b$	$-1/2Fx$	0	$1/2Fx^2/b$	0	x^2/b^2		
EF b	0	0	0	0	0	0	0+0	0
FE b	0	0	0	0	0	0		
FG b	0	0	0	0	0	0	0+0	0
GF b	0	0	0	0	0	0		
GC b	0	0	0	0	0	0	0+0	0
CG b	0	0	0	0	0	0		
HG b	0	$1/2Fx-1/2qx^2$	0	0	0	0	0+0	0
GH b	0	$-1/2Fx+1/2qx^2$	0	0	0	0		
HB b	0	$-1/4Fb+3/4Fx-1/2qx^2$	0	0	0	0	0+0	0
BH b	0	$-1/4Fx+1/2qx^2$	0	0	0	0		
HE b	0	$1/4Fb-1/4Fx$	$-Fb/EJ$	0	0	0	0+0	0
EH b	0	$-1/4Fx$	Fb/EJ	0	0	0		
AB	molla asta $-W_{1AB}(W_{0AB}+XW_{1AB})/k_{AB}$							$1/4Xb/EJ$
	totali						$25/24Fb^2/EJ$	$35/12Xb/EJ$
	iperstatica $X=W_{AB}$						$-5/14Fb$	

Sviluppi di calcolo iperstatica

$$L_{AB}^{xx} = \int_0^b (1 - 2x/b + x^2/b^2) \cdot 1/EJ \, dx + 1 \cdot 1/4 \cdot b/EJ = \left[x - x^2/b + 1/3 x^3/b^2 \right]_0^b \cdot 1/EJ + 1 \cdot 1/4 \cdot b/EJ$$

$$= (b - b + 1/3 b) \cdot 1/EJ + 1 \cdot 1/4 \cdot b/EJ = 7/12 \cdot b/EJ$$

$$L_{BA}^{xx} = \int_0^b (x^2/b^2) \cdot 1/EJ \, dx + 1 \cdot 1/4 \cdot b/EJ = \left[1/3 x^3/b^2 \right]_0^b \cdot 1/EJ + 1 \cdot 1/4 \cdot b/EJ$$

$$= (1/3 b) \cdot 1/EJ + 1 \cdot 1/4 \cdot b/EJ = 7/12 \cdot b/EJ$$

$$L_{AD}^{xx} = \int_0^{2b} (1) \cdot 1/EJ \, dx = \left[x \right]_0^{2b} \cdot 1/EJ$$

$$= (2b) \cdot 1/EJ = 2 \cdot b/EJ$$

$$L_{DA}^{xx} = \int_0^{2b} (1) \cdot 1/EJ \, dx = \left[x \right]_0^{2b} \cdot 1/EJ$$

$$= (2b) \cdot 1/EJ = 2 \cdot b/EJ$$

$$L_{DE}^{xx} = \int_0^b (1 - 2x/b + x^2/b^2) \cdot 1/EJ \, dx = \left[x - x^2/b + 1/3 x^3/b^2 \right]_0^b \cdot 1/EJ$$

$$= (b - b + 1/3 b) \cdot 1/EJ = 1/3 \cdot b/EJ$$

$$L_{ED}^{xx} = \int_0^b (x^2/b^2) \cdot 1/EJ \, dx = \left[1/3 x^3/b^2 \right]_0^b \cdot 1/EJ$$

$$= (1/3 b) \cdot 1/EJ = 1/3 \cdot b/EJ$$

$$L_{AB}^{xo} = \int_0^b (2x/b - 3/2 x^2/b^2 - 1/2 x^3/b^3) \cdot Fb \cdot 1/EJ \, dx + 1 \cdot 0 \cdot 1/4 \cdot Fb^2/EJ$$

$$= \left[x^2/b - 1/2 x^3/b^2 - 1/8 x^4/b^3 \right]_0^b \cdot Fb \cdot 1/EJ + 1 \cdot 0 \cdot 1/4 \cdot Fb^2/EJ$$

$$= (b - 1/2 b - 1/8 b) \cdot Fb \cdot 1/EJ + 1 \cdot 0 \cdot 1/4 \cdot Fb^2/EJ = 3/8 \cdot Fb^2/EJ$$

$$L_{BA}^{xo} = \int_0^b (5/2 x/b - 3 x^2/b^2 + 1/2 x^3/b^3) \cdot Fb \cdot 1/EJ \, dx + 1 \cdot 0 \cdot 1/4 \cdot Fb^2/EJ$$

$$= \left[5/4 x^2/b - x^3/b^2 + 1/8 x^4/b^3 \right]_0^b \cdot Fb \cdot 1/EJ + 1 \cdot 0 \cdot 1/4 \cdot Fb^2/EJ$$

$$= (5/4 b - b + 1/8 b) \cdot Fb \cdot 1/EJ + 1 \cdot 0 \cdot 1/4 \cdot Fb^2/EJ = 3/8 \cdot Fb^2/EJ$$

$$L_{AD}^{xo} = \int_0^{2b} (1/4 x/b) \cdot Fb \cdot 1/EJ \, dx = \left[1/8 x^2/b \right]_0^{2b} \cdot Fb \cdot 1/EJ$$

$$= (1/2 b) \cdot Fb \cdot 1/EJ = 1/2 \cdot Fb^2/EJ$$

$$L_{DA}^{xo} = \int_0^{2b} (1/2 - 1/4 x/b) \cdot Fb \cdot 1/EJ \, dx = \left[1/2 x - 1/8 x^2/b \right]_0^{2b} \cdot Fb \cdot 1/EJ$$

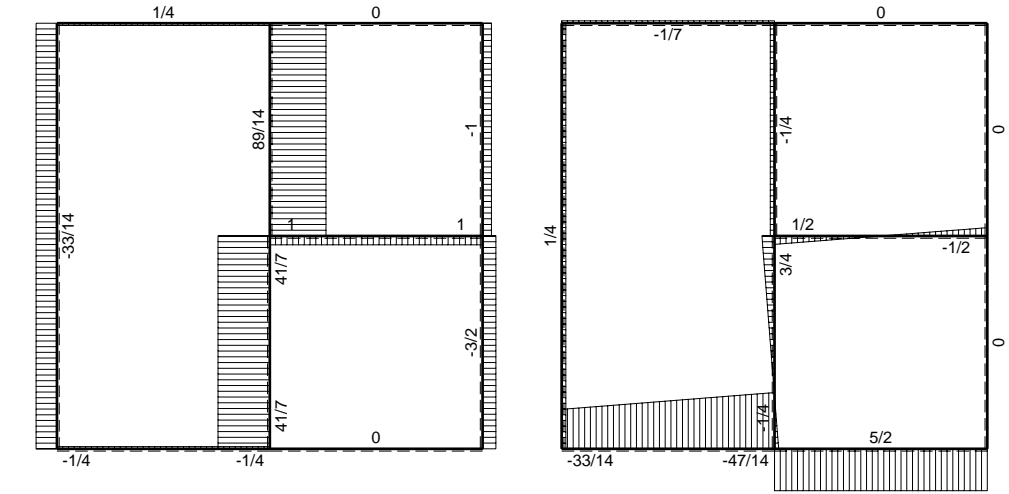
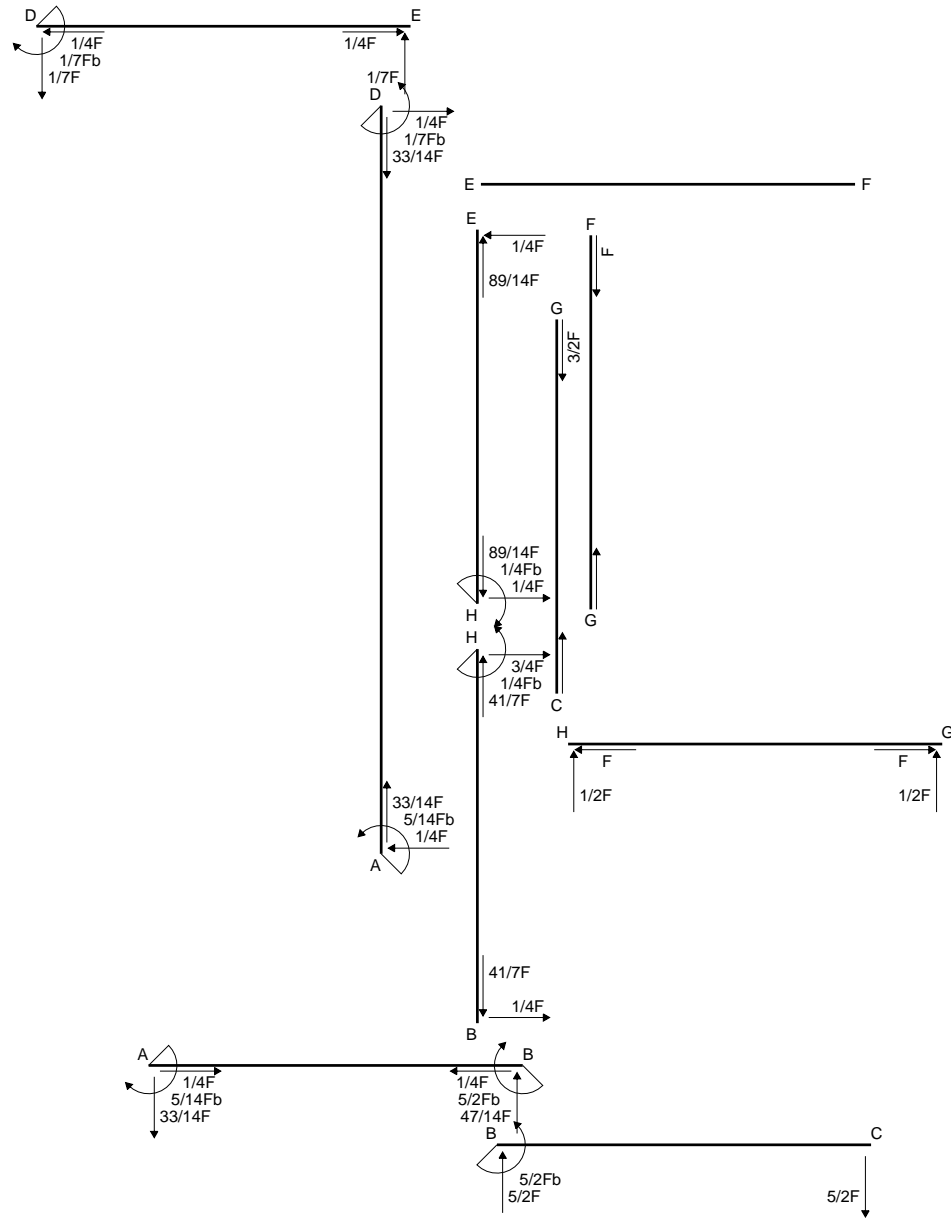
$$= (b - 1/2 b) \cdot Fb \cdot 1/EJ = 1/2 \cdot Fb^2/EJ$$

$$L_{DE}^{xo} = \int_0^b (1/2 - x/b + 1/2 x^2/b^2) \cdot Fb \cdot 1/EJ \, dx = \left[1/2 x - 1/2 x^2/b + 1/6 x^3/b^2 \right]_0^b \cdot Fb \cdot 1/EJ$$

$$= (1/2 b - 1/2 b + 1/6 b) \cdot Fb \cdot 1/EJ = 1/6 \cdot Fb^2/EJ$$

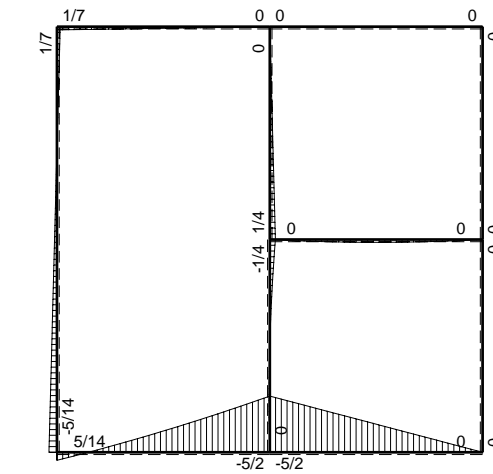
$$L_{ED}^{xo} = \int_0^b (1/2 x^2/b^2) \cdot Fb \cdot 1/EJ \, dx = \left[1/6 x^3/b^2 \right]_0^b \cdot Fb \cdot 1/EJ$$

$$= (1/6 b) \cdot Fb \cdot 1/EJ = 1/6 \cdot Fb^2/EJ$$

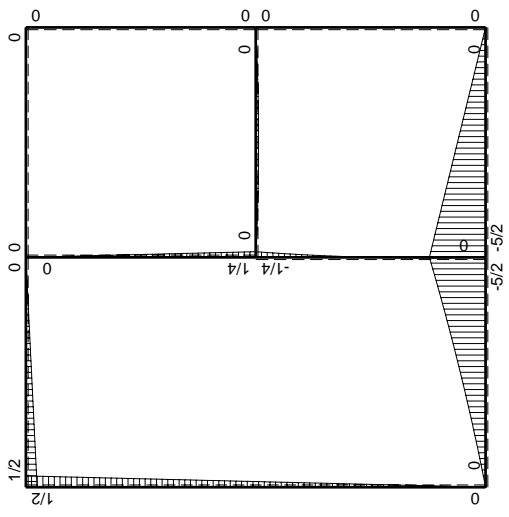
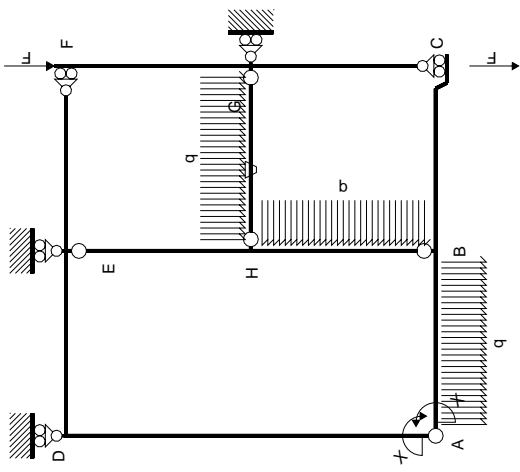


← ⊕ → F

↑ ⊕ ↓ Fb

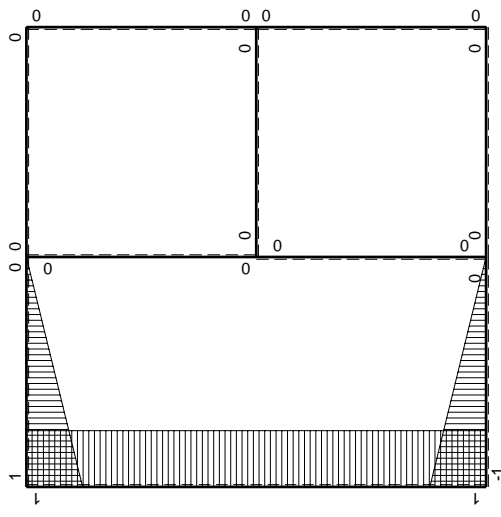


⊕ ⊖ Fb



Schema di calcolo iperstatico

M_0 flessione da carichi assegnati



M_x flessione da iperstatica X=1

Quadro contributi PLV per iperstatica $X=W_{AB}$

→	$M_x(x)$	$M_o(x)$	θ	$M_x M_o$	$M_x \theta$	$M_x M_x$	$\int M_x(M_o/EJ+\theta)dx$	$\int X M_x M_x/EJ dx$
AB b	$-1+x/b$	$-2Fx-1/2qx^2$	0	$2Fx-3/2Fx^2/b-1/2qx^3/b$	0	$1-2x/b+x^2/b^2$	$(3/8+0)Fb^2/EJ$	$1/3Xb/EJ$
BA b	x/b	$5/2Fb-3Fx+1/2qx^2$	0	$5/2Fx-3Fx^2/b+1/2qx^3/b$	0	x^2/b^2		
BC b	0	$-5/2Fb+5/2Fx$	0	0	0	0	0+0	0
CB b	0	$5/2Fx$	0	0	0	0		
AD 2b	1	$1/4Fx$	0	$1/4Fx$	0	1	$(1/2+0)Fb^2/EJ$	$2Xb/EJ$
DA 2b	-1	$-1/2Fb+1/4Fx$	0	$1/2Fb-1/4Fx$	0	1		
DE b	$1-x/b$	$1/2Fb-1/2Fx$	0	$1/2Fb-Fx+1/2Fx^2/b$	0	$1-2x/b+x^2/b^2$	$(1/6+0)Fb^2/EJ$	$1/3Xb/EJ$
ED b	$-x/b$	$-1/2Fx$	0	$1/2Fx^2/b$	0	x^2/b^2		
EF b	0	0	0	0	0	0	0+0	0
FE b	0	0	0	0	0	0		
FG b	0	0	0	0	0	0	0+0	0
GF b	0	0	0	0	0	0		
GC b	0	0	0	0	0	0	0+0	0
CG b	0	0	0	0	0	0		
HG b	0	$1/2Fx-1/2qx^2$	$-Fb/EJ$	0	0	0	0+0	0
GH b	0	$-1/2Fx+1/2qx^2$	Fb/EJ	0	0	0		
HB b	0	$-1/4Fb+3/4Fx-1/2qx^2$	0	0	0	0	0+0	0
BH b	0	$-1/4Fx+1/2qx^2$	0	0	0	0		
HE b	0	$1/4Fb-1/4Fx$	0	0	0	0	0+0	0
EH b	0	$-1/4Fx$	0	0	0	0		
AB	molla asta $-W_{1AB}(W_{0AB}+XW_{1AB})/k_{AB}$							$1/4Xb/EJ$
	totali						$25/24Fb^2/EJ$	$35/12Xb/EJ$
	iperstatica $X=W_{AB}$						$-5/14Fb$	

Sviluppi di calcolo iperstatica

$$L_{AB}^{xx} = \int_0^b (1 - 2x/b + x^2/b^2) \cdot 1/EJ \, dx + 1 \cdot 1/4 \cdot b/EJ = \left[x - x^2/b + 1/3 x^3/b^2 \right]_0^b \cdot 1/EJ + 1 \cdot 1/4 \cdot b/EJ$$

$$= (b - b + 1/3 b) \cdot 1/EJ + 1 \cdot 1/4 \cdot b/EJ = 7/12 \cdot b/EJ$$

$$L_{BA}^{xx} = \int_0^b (x^2/b^2) \cdot 1/EJ \, dx + 1 \cdot 1/4 \cdot b/EJ = \left[1/3 x^3/b^2 \right]_0^b \cdot 1/EJ + 1 \cdot 1/4 \cdot b/EJ$$

$$= (1/3 b) \cdot 1/EJ + 1 \cdot 1/4 \cdot b/EJ = 7/12 \cdot b/EJ$$

$$L_{AD}^{xx} = \int_0^{2b} (1) \cdot 1/EJ \, dx = \left[x \right]_0^{2b} \cdot 1/EJ$$

$$= (2b) \cdot 1/EJ = 2 \cdot b/EJ$$

$$L_{DA}^{xx} = \int_0^{2b} (1) \cdot 1/EJ \, dx = \left[x \right]_0^{2b} \cdot 1/EJ$$

$$= (2b) \cdot 1/EJ = 2 \cdot b/EJ$$

$$L_{DE}^{xx} = \int_0^b (1 - 2x/b + x^2/b^2) \cdot 1/EJ \, dx = \left[x - x^2/b + 1/3 x^3/b^2 \right]_0^b \cdot 1/EJ$$

$$= (b - b + 1/3 b) \cdot 1/EJ = 1/3 \cdot b/EJ$$

$$L_{ED}^{xx} = \int_0^b (x^2/b^2) \cdot 1/EJ \, dx = \left[1/3 x^3/b^2 \right]_0^b \cdot 1/EJ$$

$$= (1/3 b) \cdot 1/EJ = 1/3 \cdot b/EJ$$

$$L_{AB}^{xo} = \int_0^b (2x/b - 3/2 x^2/b^2 - 1/2 x^3/b^3) \cdot Fb \cdot 1/EJ \, dx + 1 \cdot 0 \cdot 1/4 \cdot Fb^2/EJ$$

$$= \left[x^2/b - 1/2 x^3/b^2 - 1/8 x^4/b^3 \right]_0^b \cdot Fb \cdot 1/EJ + 1 \cdot 0 \cdot 1/4 \cdot Fb^2/EJ$$

$$= (b - 1/2 b - 1/8 b) \cdot Fb \cdot 1/EJ + 1 \cdot 0 \cdot 1/4 \cdot Fb^2/EJ = 3/8 \cdot Fb^2/EJ$$

$$L_{BA}^{xo} = \int_0^b (5/2 x/b - 3 x^2/b^2 + 1/2 x^3/b^3) \cdot Fb \cdot 1/EJ \, dx + 1 \cdot 0 \cdot 1/4 \cdot Fb^2/EJ$$

$$= \left[5/4 x^2/b - x^3/b^2 + 1/8 x^4/b^3 \right]_0^b \cdot Fb \cdot 1/EJ + 1 \cdot 0 \cdot 1/4 \cdot Fb^2/EJ$$

$$= (5/4 b - b + 1/8 b) \cdot Fb \cdot 1/EJ + 1 \cdot 0 \cdot 1/4 \cdot Fb^2/EJ = 3/8 \cdot Fb^2/EJ$$

$$L_{AD}^{xo} = \int_0^{2b} (1/4 x/b) \cdot Fb \cdot 1/EJ \, dx = \left[1/8 x^2/b \right]_0^{2b} \cdot Fb \cdot 1/EJ$$

$$= (1/2 b) \cdot Fb \cdot 1/EJ = 1/2 \cdot Fb^2/EJ$$

$$L_{DA}^{xo} = \int_0^{2b} (1/2 - 1/4 x/b) \cdot Fb \cdot 1/EJ \, dx = \left[1/2 x - 1/8 x^2/b \right]_0^{2b} \cdot Fb \cdot 1/EJ$$

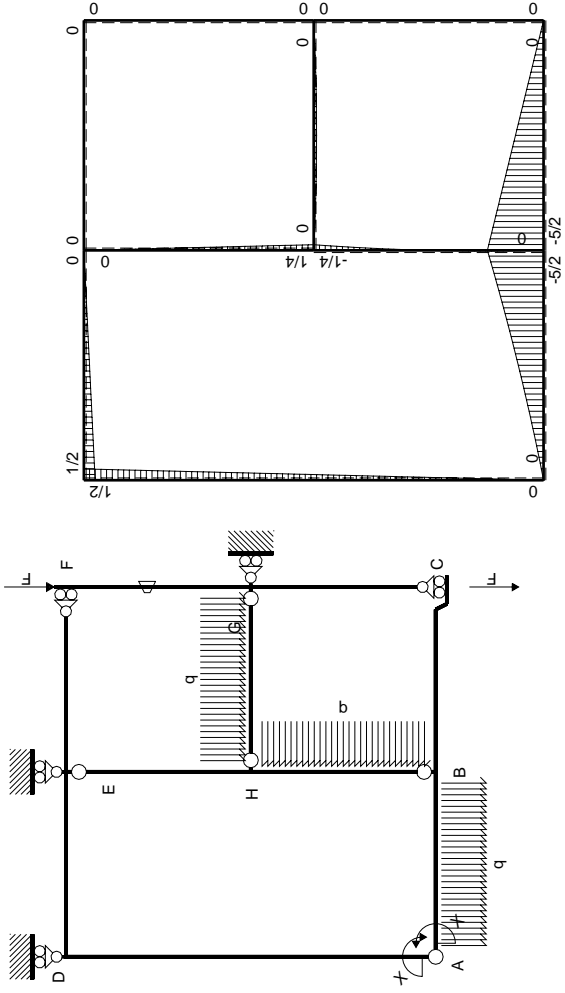
$$= (b - 1/2 b) \cdot Fb \cdot 1/EJ = 1/2 \cdot Fb^2/EJ$$

$$L_{DE}^{xo} = \int_0^b (1/2 - x/b + 1/2 x^2/b^2) \cdot Fb \cdot 1/EJ \, dx = \left[1/2 x - 1/2 x^2/b + 1/6 x^3/b^2 \right]_0^b \cdot Fb \cdot 1/EJ$$

$$= (1/2 b - 1/2 b + 1/6 b) \cdot Fb \cdot 1/EJ = 1/6 \cdot Fb^2/EJ$$

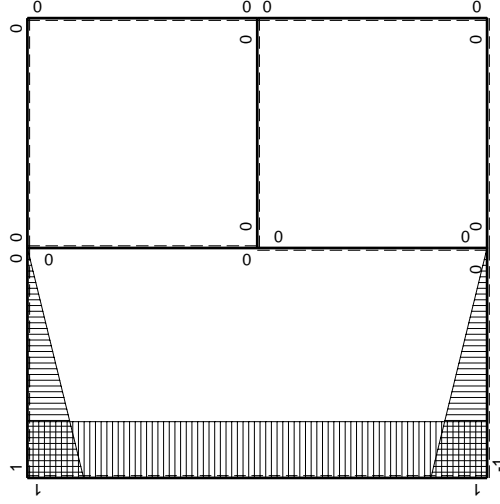
$$L_{ED}^{xo} = \int_0^b (1/2 x^2/b^2) \cdot Fb \cdot 1/EJ \, dx = \left[1/6 x^3/b^2 \right]_0^b \cdot Fb \cdot 1/EJ$$

$$= (1/6 b) \cdot Fb \cdot 1/EJ = 1/6 \cdot Fb^2/EJ$$



Schema di calcolo iperstatico

M_0 flessione da carichi assegnati



M_x flessione da iperstatica $X=1$

Quadro contributi PLV per iperstatica $X=W_{AB}$

→	$M_x(x)$	$M_o(x)$	θ	$M_x M_o$	$M_x \theta$	$M_x M_x$	$\int M_x(M_o/EJ+\theta)dx$	$\int X M_x M_x/EJ dx$
AB b	$-1+x/b$	$-2Fx-1/2qx^2$	0	$2Fx-3/2Fx^2/b-1/2qx^3/b$	0	$1-2x/b+x^2/b^2$	$(3/8+0)Fb^2/EJ$	$1/3Xb/EJ$
BA b	x/b	$5/2Fb-3Fx+1/2qx^2$	0	$5/2Fx-3Fx^2/b+1/2qx^3/b$	0	x^2/b^2		
BC b	0	$-5/2Fb+5/2Fx$	0	0	0	0	0+0	0
CB b	0	$5/2Fx$	0	0	0	0		
AD 2b	1	$1/4Fx$	0	$1/4Fx$	0	1	$(1/2+0)Fb^2/EJ$	$2Xb/EJ$
DA 2b	-1	$-1/2Fb+1/4Fx$	0	$1/2Fb-1/4Fx$	0	1		
DE b	$1-x/b$	$1/2Fb-1/2Fx$	0	$1/2Fb-Fx+1/2Fx^2/b$	0	$1-2x/b+x^2/b^2$	$(1/6+0)Fb^2/EJ$	$1/3Xb/EJ$
ED b	$-x/b$	$-1/2Fx$	0	$1/2Fx^2/b$	0	x^2/b^2		
EF b	0	0	0	0	0	0	0+0	0
FE b	0	0	0	0	0	0		
FG b	0	0	$-Fb/EJ$	0	0	0	0+0	0
GF b	0	0	Fb/EJ	0	0	0		
GC b	0	0	0	0	0	0	0+0	0
CG b	0	0	0	0	0	0		
HG b	0	$1/2Fx-1/2qx^2$	0	0	0	0	0+0	0
GH b	0	$-1/2Fx+1/2qx^2$	0	0	0	0		
HB b	0	$-1/4Fb+3/4Fx-1/2qx^2$	0	0	0	0	0+0	0
BH b	0	$-1/4Fx+1/2qx^2$	0	0	0	0		
HE b	0	$1/4Fb-1/4Fx$	0	0	0	0	0+0	0
EH b	0	$-1/4Fx$	0	0	0	0		
AB	molla asta $-W_{1AB}(W_{0AB}+XW_{1AB})/k_{AB}$							$1/4Xb/EJ$
	totali						$25/24Fb^2/EJ$	$35/12Xb/EJ$
	iperstatica $X=W_{AB}$						$-5/14Fb$	

Sviluppi di calcolo iperstatica

$$L_{AB}^{xx} = \int_0^b (1 - 2x/b + x^2/b^2) \cdot 1/EJ \, dx + 1 \cdot 1/4 \cdot b/EJ = \left[x - x^2/b + 1/3 x^3/b^2 \right]_0^b \cdot 1/EJ + 1 \cdot 1/4 \cdot b/EJ$$

$$= (b - b + 1/3 b) \cdot 1/EJ + 1 \cdot 1/4 \cdot b/EJ = 7/12 \cdot b/EJ$$

$$L_{BA}^{xx} = \int_0^b (x^2/b^2) \cdot 1/EJ \, dx + 1 \cdot 1/4 \cdot b/EJ = \left[1/3 x^3/b^2 \right]_0^b \cdot 1/EJ + 1 \cdot 1/4 \cdot b/EJ$$

$$= (1/3 b) \cdot 1/EJ + 1 \cdot 1/4 \cdot b/EJ = 7/12 \cdot b/EJ$$

$$L_{AD}^{xx} = \int_0^{2b} (1) \cdot 1/EJ \, dx = \left[x \right]_0^{2b} \cdot 1/EJ$$

$$= (2b) \cdot 1/EJ = 2 \cdot b/EJ$$

$$L_{DA}^{xx} = \int_0^{2b} (1) \cdot 1/EJ \, dx = \left[x \right]_0^{2b} \cdot 1/EJ$$

$$= (2b) \cdot 1/EJ = 2 \cdot b/EJ$$

$$L_{DE}^{xx} = \int_0^b (1 - 2x/b + x^2/b^2) \cdot 1/EJ \, dx = \left[x - x^2/b + 1/3 x^3/b^2 \right]_0^b \cdot 1/EJ$$

$$= (b - b + 1/3 b) \cdot 1/EJ = 1/3 \cdot b/EJ$$

$$L_{ED}^{xx} = \int_0^b (x^2/b^2) \cdot 1/EJ \, dx = \left[1/3 x^3/b^2 \right]_0^b \cdot 1/EJ$$

$$= (1/3 b) \cdot 1/EJ = 1/3 \cdot b/EJ$$

$$L_{AB}^{xo} = \int_0^b (2x/b - 3/2 x^2/b^2 - 1/2 x^3/b^3) \cdot Fb \cdot 1/EJ \, dx + 1 \cdot 0 \cdot 1/4 \cdot Fb^2/EJ$$

$$= \left[x^2/b - 1/2 x^3/b^2 - 1/8 x^4/b^3 \right]_0^b \cdot Fb \cdot 1/EJ + 1 \cdot 0 \cdot 1/4 \cdot Fb^2/EJ$$

$$= (b - 1/2 b - 1/8 b) \cdot Fb \cdot 1/EJ + 1 \cdot 0 \cdot 1/4 \cdot Fb^2/EJ = 3/8 \cdot Fb^2/EJ$$

$$L_{BA}^{xo} = \int_0^b (5/2 x/b - 3 x^2/b^2 + 1/2 x^3/b^3) \cdot Fb \cdot 1/EJ \, dx + 1 \cdot 0 \cdot 1/4 \cdot Fb^2/EJ$$

$$= \left[5/4 x^2/b - x^3/b^2 + 1/8 x^4/b^3 \right]_0^b \cdot Fb \cdot 1/EJ + 1 \cdot 0 \cdot 1/4 \cdot Fb^2/EJ$$

$$= (5/4 b - b + 1/8 b) \cdot Fb \cdot 1/EJ + 1 \cdot 0 \cdot 1/4 \cdot Fb^2/EJ = 3/8 \cdot Fb^2/EJ$$

$$L_{AD}^{xo} = \int_0^{2b} (1/4 x/b) \cdot Fb \cdot 1/EJ \, dx = \left[1/8 x^2/b \right]_0^{2b} \cdot Fb \cdot 1/EJ$$

$$= (1/2 b) \cdot Fb \cdot 1/EJ = 1/2 \cdot Fb^2/EJ$$

$$L_{DA}^{xo} = \int_0^{2b} (1/2 - 1/4 x/b) \cdot Fb \cdot 1/EJ \, dx = \left[1/2 x - 1/8 x^2/b \right]_0^{2b} \cdot Fb \cdot 1/EJ$$

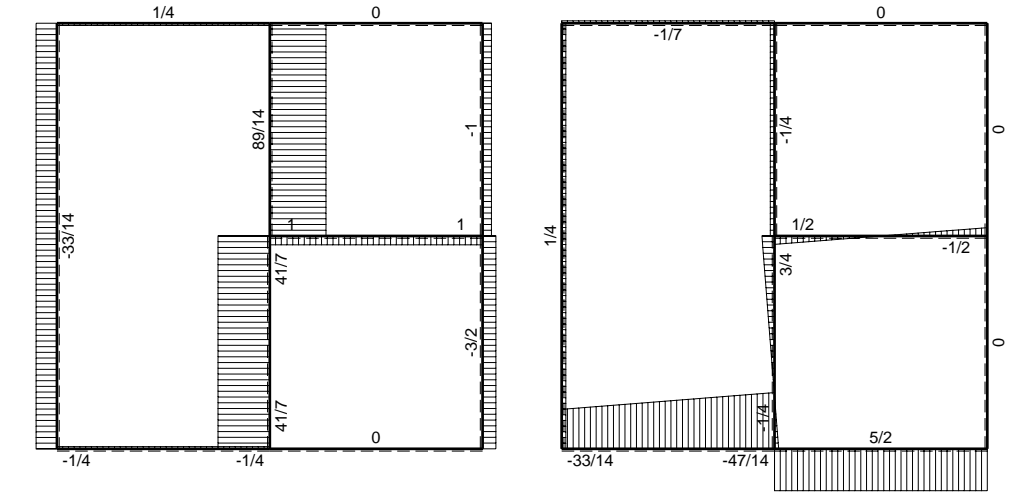
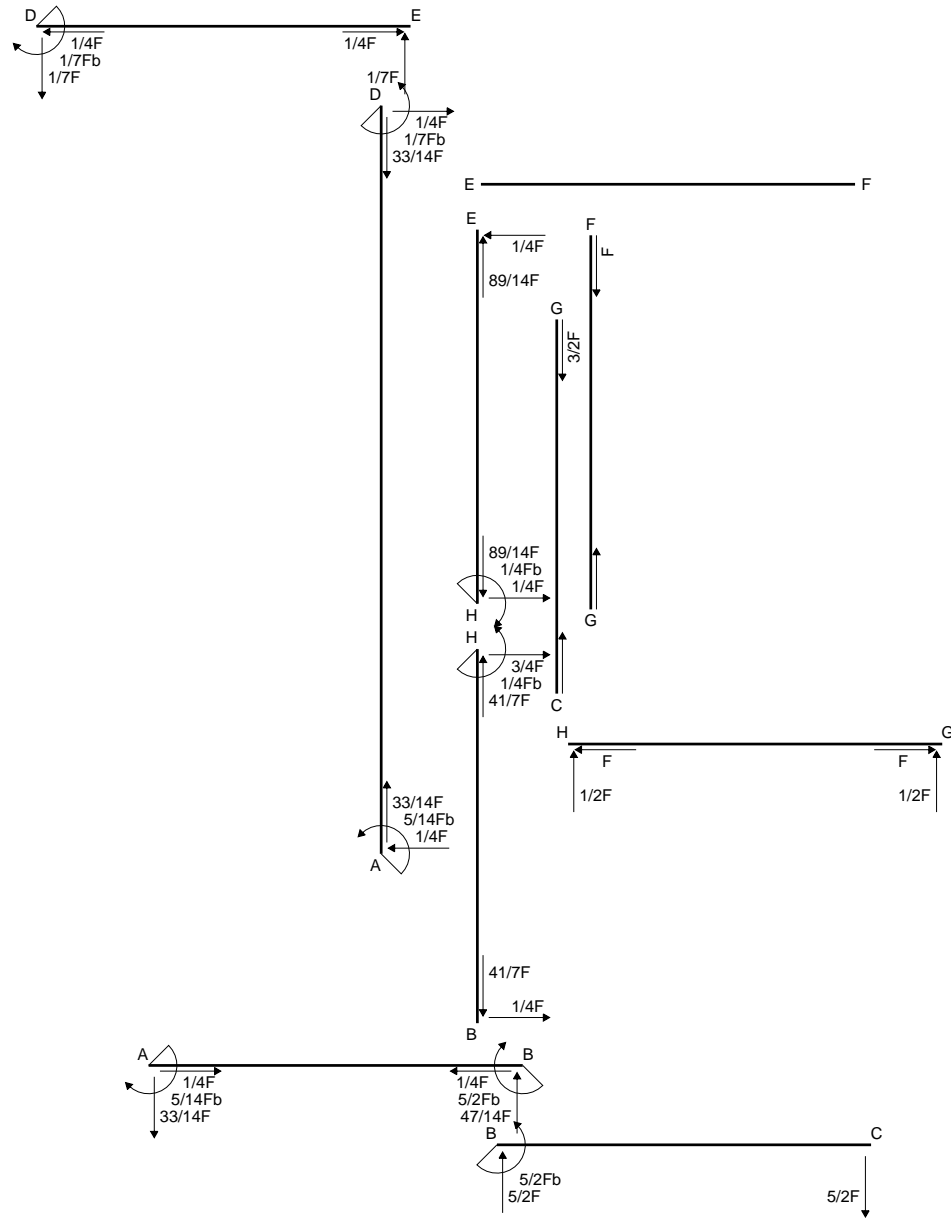
$$= (b - 1/2 b) \cdot Fb \cdot 1/EJ = 1/2 \cdot Fb^2/EJ$$

$$L_{DE}^{xo} = \int_0^b (1/2 - x/b + 1/2 x^2/b^2) \cdot Fb \cdot 1/EJ \, dx = \left[1/2 x - 1/2 x^2/b + 1/6 x^3/b^2 \right]_0^b \cdot Fb \cdot 1/EJ$$

$$= (1/2 b - 1/2 b + 1/6 b) \cdot Fb \cdot 1/EJ = 1/6 \cdot Fb^2/EJ$$

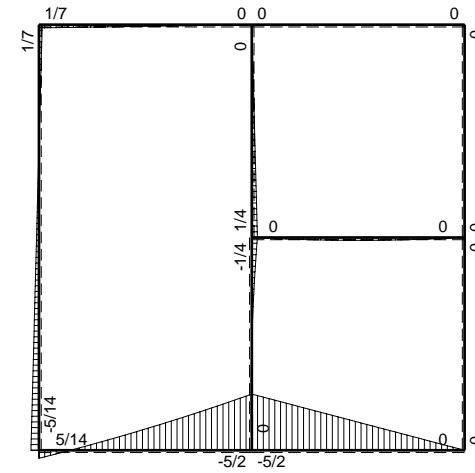
$$L_{ED}^{xo} = \int_0^b (1/2 x^2/b^2) \cdot Fb \cdot 1/EJ \, dx = \left[1/6 x^3/b^2 \right]_0^b \cdot Fb \cdot 1/EJ$$

$$= (1/6 b) \cdot Fb \cdot 1/EJ = 1/6 \cdot Fb^2/EJ$$

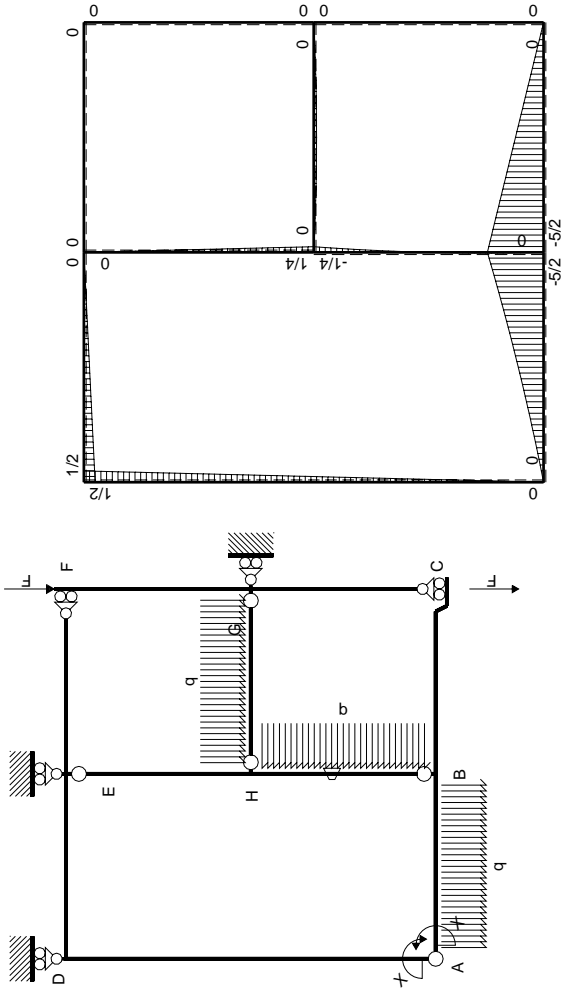


← ⊕ → F

↑ ⊕ ↓ F

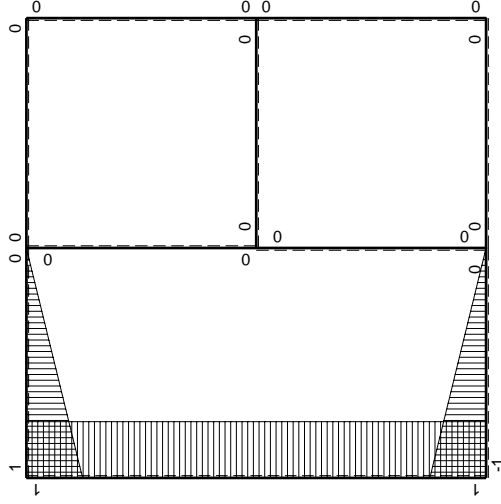


⊕ ⊖ Fb



Schema di calcolo iperstatico

M_0 flessione da carichi assegnati



M_x flessione da iperstatica $X=1$

Quadro contributi PLV per iperstatica $X=W_{AB}$

→	$M_x(x)$	$M_o(x)$	θ	$M_x M_o$	$M_x \theta$	$M_x M_x$	$\int M_x(M_o/EJ+\theta)dx$	$\int X M_x M_x/EJ dx$
AB b	$-1+x/b$	$-2Fx-1/2qx^2$	0	$2Fx-3/2Fx^2/b-1/2qx^3/b$	0	$1-2x/b+x^2/b^2$	$(3/8+0)Fb^2/EJ$	$1/3Xb/EJ$
BA b	x/b	$5/2Fb-3Fx+1/2qx^2$	0	$5/2Fx-3Fx^2/b+1/2qx^3/b$	0	x^2/b^2		
BC b	0	$-5/2Fb+5/2Fx$	0	0	0	0	0+0	0
CB b	0	$5/2Fx$	0	0	0	0		
AD 2b	1	$1/4Fx$	0	$1/4Fx$	0	1	$(1/2+0)Fb^2/EJ$	$2Xb/EJ$
DA 2b	-1	$-1/2Fb+1/4Fx$	0	$1/2Fb-1/4Fx$	0	1		
DE b	$1-x/b$	$1/2Fb-1/2Fx$	0	$1/2Fb-Fx+1/2Fx^2/b$	0	$1-2x/b+x^2/b^2$	$(1/6+0)Fb^2/EJ$	$1/3Xb/EJ$
ED b	$-x/b$	$-1/2Fx$	0	$1/2Fx^2/b$	0	x^2/b^2		
EF b	0	0	0	0	0	0	0+0	0
FE b	0	0	0	0	0	0		
FG b	0	0	0	0	0	0	0+0	0
GF b	0	0	0	0	0	0		
GC b	0	0	0	0	0	0	0+0	0
CG b	0	0	0	0	0	0		
HG b	0	$1/2Fx-1/2qx^2$	0	0	0	0	0+0	0
GH b	0	$-1/2Fx+1/2qx^2$	0	0	0	0		
HB b	0	$-1/4Fb+3/4Fx-1/2qx^2$	$-Fb/EJ$	0	0	0	0+0	0
BH b	0	$-1/4Fx+1/2qx^2$	Fb/EJ	0	0	0		
HE b	0	$1/4Fb-1/4Fx$	0	0	0	0	0+0	0
EH b	0	$-1/4Fx$	0	0	0	0		
AB	molla asta $-W_{1AB}(W_{0AB}+XW_{1AB})/k_{AB}$							$1/4Xb/EJ$
	totali						$25/24Fb^2/EJ$	$35/12Xb/EJ$
	iperstatica $X=W_{AB}$						$-5/14Fb$	

Sviluppi di calcolo iperstatica

$$L_{AB}^{xx} = \int_0^b (1 - 2x/b + x^2/b^2) \cdot 1/EJ \, dx + 1 \cdot 1/4 \cdot b/EJ = \left[x - x^2/b + 1/3 x^3/b^2 \right]_0^b \cdot 1/EJ + 1 \cdot 1/4 \cdot b/EJ$$

$$= (b - b + 1/3 b) \cdot 1/EJ + 1 \cdot 1/4 \cdot b/EJ = 7/12 \cdot b/EJ$$

$$L_{BA}^{xx} = \int_0^b (x^2/b^2) \cdot 1/EJ \, dx + 1 \cdot 1/4 \cdot b/EJ = \left[1/3 x^3/b^2 \right]_0^b \cdot 1/EJ + 1 \cdot 1/4 \cdot b/EJ$$

$$= (1/3 b) \cdot 1/EJ + 1 \cdot 1/4 \cdot b/EJ = 7/12 \cdot b/EJ$$

$$L_{AD}^{xx} = \int_0^{2b} (1) \cdot 1/EJ \, dx = \left[x \right]_0^{2b} \cdot 1/EJ$$

$$= (2b) \cdot 1/EJ = 2 \cdot b/EJ$$

$$L_{DA}^{xx} = \int_0^{2b} (1) \cdot 1/EJ \, dx = \left[x \right]_0^{2b} \cdot 1/EJ$$

$$= (2b) \cdot 1/EJ = 2 \cdot b/EJ$$

$$L_{DE}^{xx} = \int_0^b (1 - 2x/b + x^2/b^2) \cdot 1/EJ \, dx = \left[x - x^2/b + 1/3 x^3/b^2 \right]_0^b \cdot 1/EJ$$

$$= (b - b + 1/3 b) \cdot 1/EJ = 1/3 \cdot b/EJ$$

$$L_{ED}^{xx} = \int_0^b (x^2/b^2) \cdot 1/EJ \, dx = \left[1/3 x^3/b^2 \right]_0^b \cdot 1/EJ$$

$$= (1/3 b) \cdot 1/EJ = 1/3 \cdot b/EJ$$

$$L_{AB}^{xo} = \int_0^b (2x/b - 3/2 x^2/b^2 - 1/2 x^3/b^3) \cdot Fb \cdot 1/EJ \, dx + 1 \cdot 0 \cdot 1/4 \cdot Fb^2/EJ$$

$$= \left[x^2/b - 1/2 x^3/b^2 - 1/8 x^4/b^3 \right]_0^b \cdot Fb \cdot 1/EJ + 1 \cdot 0 \cdot 1/4 \cdot Fb^2/EJ$$

$$= (b - 1/2 b - 1/8 b) \cdot Fb \cdot 1/EJ + 1 \cdot 0 \cdot 1/4 \cdot Fb^2/EJ = 3/8 \cdot Fb^2/EJ$$

$$L_{BA}^{xo} = \int_0^b (5/2 x/b - 3 x^2/b^2 + 1/2 x^3/b^3) \cdot Fb \cdot 1/EJ \, dx + 1 \cdot 0 \cdot 1/4 \cdot Fb^2/EJ$$

$$= \left[5/4 x^2/b - x^3/b^2 + 1/8 x^4/b^3 \right]_0^b \cdot Fb \cdot 1/EJ + 1 \cdot 0 \cdot 1/4 \cdot Fb^2/EJ$$

$$= (5/4 b - b + 1/8 b) \cdot Fb \cdot 1/EJ + 1 \cdot 0 \cdot 1/4 \cdot Fb^2/EJ = 3/8 \cdot Fb^2/EJ$$

$$L_{AD}^{xo} = \int_0^{2b} (1/4 x/b) \cdot Fb \cdot 1/EJ \, dx = \left[1/8 x^2/b \right]_0^{2b} \cdot Fb \cdot 1/EJ$$

$$= (1/2 b) \cdot Fb \cdot 1/EJ = 1/2 \cdot Fb^2/EJ$$

$$L_{DA}^{xo} = \int_0^{2b} (1/2 - 1/4 x/b) \cdot Fb \cdot 1/EJ \, dx = \left[1/2 x - 1/8 x^2/b \right]_0^{2b} \cdot Fb \cdot 1/EJ$$

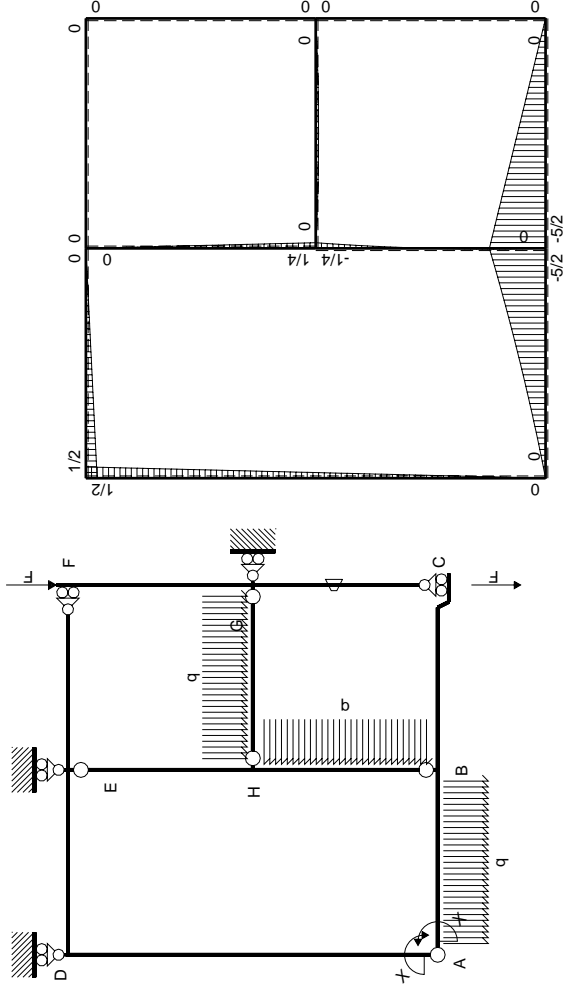
$$= (b - 1/2 b) \cdot Fb \cdot 1/EJ = 1/2 \cdot Fb^2/EJ$$

$$L_{DE}^{xo} = \int_0^b (1/2 - x/b + 1/2 x^2/b^2) \cdot Fb \cdot 1/EJ \, dx = \left[1/2 x - 1/2 x^2/b + 1/6 x^3/b^2 \right]_0^b \cdot Fb \cdot 1/EJ$$

$$= (1/2 b - 1/2 b + 1/6 b) \cdot Fb \cdot 1/EJ = 1/6 \cdot Fb^2/EJ$$

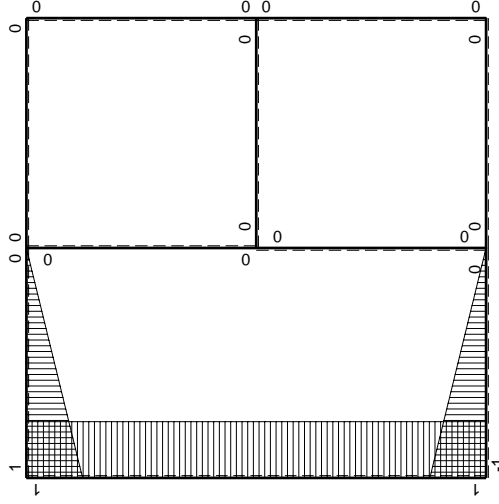
$$L_{ED}^{xo} = \int_0^b (1/2 x^2/b^2) \cdot Fb \cdot 1/EJ \, dx = \left[1/6 x^3/b^2 \right]_0^b \cdot Fb \cdot 1/EJ$$

$$= (1/6 b) \cdot Fb \cdot 1/EJ = 1/6 \cdot Fb^2/EJ$$



Schema di calcolo iperstatico

M_0 flessione da carichi assegnati



M_x flessione da iperstatica $X=1$

Quadro contributi PLV per iperstatica $X=W_{AB}$

→	$M_x(x)$	$M_o(x)$	θ	$M_x M_o$	$M_x \theta$	$M_x M_x$	$\int M_x(M_o/EJ+\theta)dx$	$\int X M_x M_x/EJ dx$
AB b	$-1+x/b$	$-2Fx-1/2qx^2$	0	$2Fx-3/2Fx^2/b-1/2qx^3/b$	0	$1-2x/b+x^2/b^2$	$(3/8+0)Fb^2/EJ$	$1/3Xb/EJ$
BA b	x/b	$5/2Fb-3Fx+1/2qx^2$	0	$5/2Fx-3Fx^2/b+1/2qx^3/b$	0	x^2/b^2		
BC b	0	$-5/2Fb+5/2Fx$	0	0	0	0	0+0	0
CB b	0	$5/2Fx$	0	0	0	0		
AD 2b	1	$1/4Fx$	0	$1/4Fx$	0	1	$(1/2+0)Fb^2/EJ$	$2Xb/EJ$
DA 2b	-1	$-1/2Fb+1/4Fx$	0	$1/2Fb-1/4Fx$	0	1		
DE b	$1-x/b$	$1/2Fb-1/2Fx$	0	$1/2Fb-Fx+1/2Fx^2/b$	0	$1-2x/b+x^2/b^2$	$(1/6+0)Fb^2/EJ$	$1/3Xb/EJ$
ED b	$-x/b$	$-1/2Fx$	0	$1/2Fx^2/b$	0	x^2/b^2		
EF b	0	0	0	0	0	0	0+0	0
FE b	0	0	0	0	0	0		
FG b	0	0	0	0	0	0	0+0	0
GF b	0	0	0	0	0	0		
GC b	0	0	$-Fb/EJ$	0	0	0	0+0	0
CG b	0	0	Fb/EJ	0	0	0		
HG b	0	$1/2Fx-1/2qx^2$	0	0	0	0	0+0	0
GH b	0	$-1/2Fx+1/2qx^2$	0	0	0	0		
HB b	0	$-1/4Fb+3/4Fx-1/2qx^2$	0	0	0	0	0+0	0
BH b	0	$-1/4Fx+1/2qx^2$	0	0	0	0		
HE b	0	$1/4Fb-1/4Fx$	0	0	0	0	0+0	0
EH b	0	$-1/4Fx$	0	0	0	0		
AB	molla asta $-W_{1AB}(W_{0AB}+XW_{1AB})/k_{AB}$							$1/4Xb/EJ$
	totali						$25/24Fb^2/EJ$	$35/12Xb/EJ$
	iperstatica $X=W_{AB}$						$-5/14Fb$	

Sviluppi di calcolo iperstatica

$$L_{AB}^{xx} = \int_0^b (1 - 2x/b + x^2/b^2) \cdot 1/EJ \, dx + 1 \cdot 1/4 \cdot b/EJ = \left[x - x^2/b + 1/3 x^3/b^2 \right]_0^b \cdot 1/EJ + 1 \cdot 1/4 \cdot b/EJ$$

$$= (b - b + 1/3 b) \cdot 1/EJ + 1 \cdot 1/4 \cdot b/EJ = 7/12 \cdot b/EJ$$

$$L_{BA}^{xx} = \int_0^b (x^2/b^2) \cdot 1/EJ \, dx + 1 \cdot 1/4 \cdot b/EJ = \left[1/3 x^3/b^2 \right]_0^b \cdot 1/EJ + 1 \cdot 1/4 \cdot b/EJ$$

$$= (1/3 b) \cdot 1/EJ + 1 \cdot 1/4 \cdot b/EJ = 7/12 \cdot b/EJ$$

$$L_{AD}^{xx} = \int_0^{2b} (1) \cdot 1/EJ \, dx = \left[x \right]_0^{2b} \cdot 1/EJ$$

$$= (2b) \cdot 1/EJ = 2 \cdot b/EJ$$

$$L_{DA}^{xx} = \int_0^{2b} (1) \cdot 1/EJ \, dx = \left[x \right]_0^{2b} \cdot 1/EJ$$

$$= (2b) \cdot 1/EJ = 2 \cdot b/EJ$$

$$L_{DE}^{xx} = \int_0^b (1 - 2x/b + x^2/b^2) \cdot 1/EJ \, dx = \left[x - x^2/b + 1/3 x^3/b^2 \right]_0^b \cdot 1/EJ$$

$$= (b - b + 1/3 b) \cdot 1/EJ = 1/3 \cdot b/EJ$$

$$L_{ED}^{xx} = \int_0^b (x^2/b^2) \cdot 1/EJ \, dx = \left[1/3 x^3/b^2 \right]_0^b \cdot 1/EJ$$

$$= (1/3 b) \cdot 1/EJ = 1/3 \cdot b/EJ$$

$$L_{AB}^{xo} = \int_0^b (2x/b - 3/2 x^2/b^2 - 1/2 x^3/b^3) \cdot Fb \cdot 1/EJ \, dx + 1 \cdot 0 \cdot 1/4 \cdot Fb^2/EJ$$

$$= \left[x^2/b - 1/2 x^3/b^2 - 1/8 x^4/b^3 \right]_0^b \cdot Fb \cdot 1/EJ + 1 \cdot 0 \cdot 1/4 \cdot Fb^2/EJ$$

$$= (b - 1/2 b - 1/8 b) \cdot Fb \cdot 1/EJ + 1 \cdot 0 \cdot 1/4 \cdot Fb^2/EJ = 3/8 \cdot Fb^2/EJ$$

$$L_{BA}^{xo} = \int_0^b (5/2 x/b - 3 x^2/b^2 + 1/2 x^3/b^3) \cdot Fb \cdot 1/EJ \, dx + 1 \cdot 0 \cdot 1/4 \cdot Fb^2/EJ$$

$$= \left[5/4 x^2/b - x^3/b^2 + 1/8 x^4/b^3 \right]_0^b \cdot Fb \cdot 1/EJ + 1 \cdot 0 \cdot 1/4 \cdot Fb^2/EJ$$

$$= (5/4 b - b + 1/8 b) \cdot Fb \cdot 1/EJ + 1 \cdot 0 \cdot 1/4 \cdot Fb^2/EJ = 3/8 \cdot Fb^2/EJ$$

$$L_{AD}^{xo} = \int_0^{2b} (1/4 x/b) \cdot Fb \cdot 1/EJ \, dx = \left[1/8 x^2/b \right]_0^{2b} \cdot Fb \cdot 1/EJ$$

$$= (1/2 b) \cdot Fb \cdot 1/EJ = 1/2 \cdot Fb^2/EJ$$

$$L_{DA}^{xo} = \int_0^{2b} (1/2 - 1/4 x/b) \cdot Fb \cdot 1/EJ \, dx = \left[1/2 x - 1/8 x^2/b \right]_0^{2b} \cdot Fb \cdot 1/EJ$$

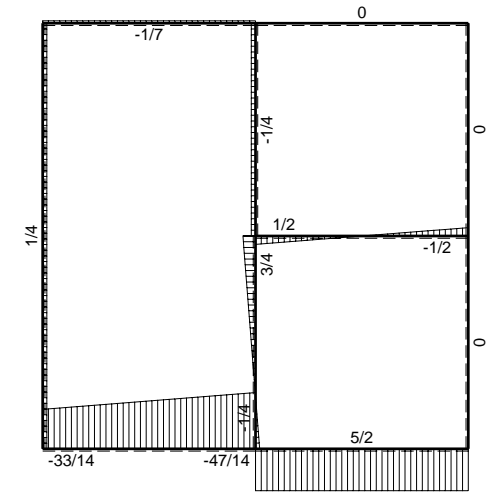
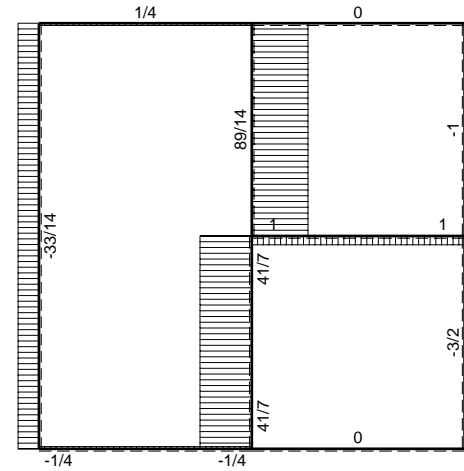
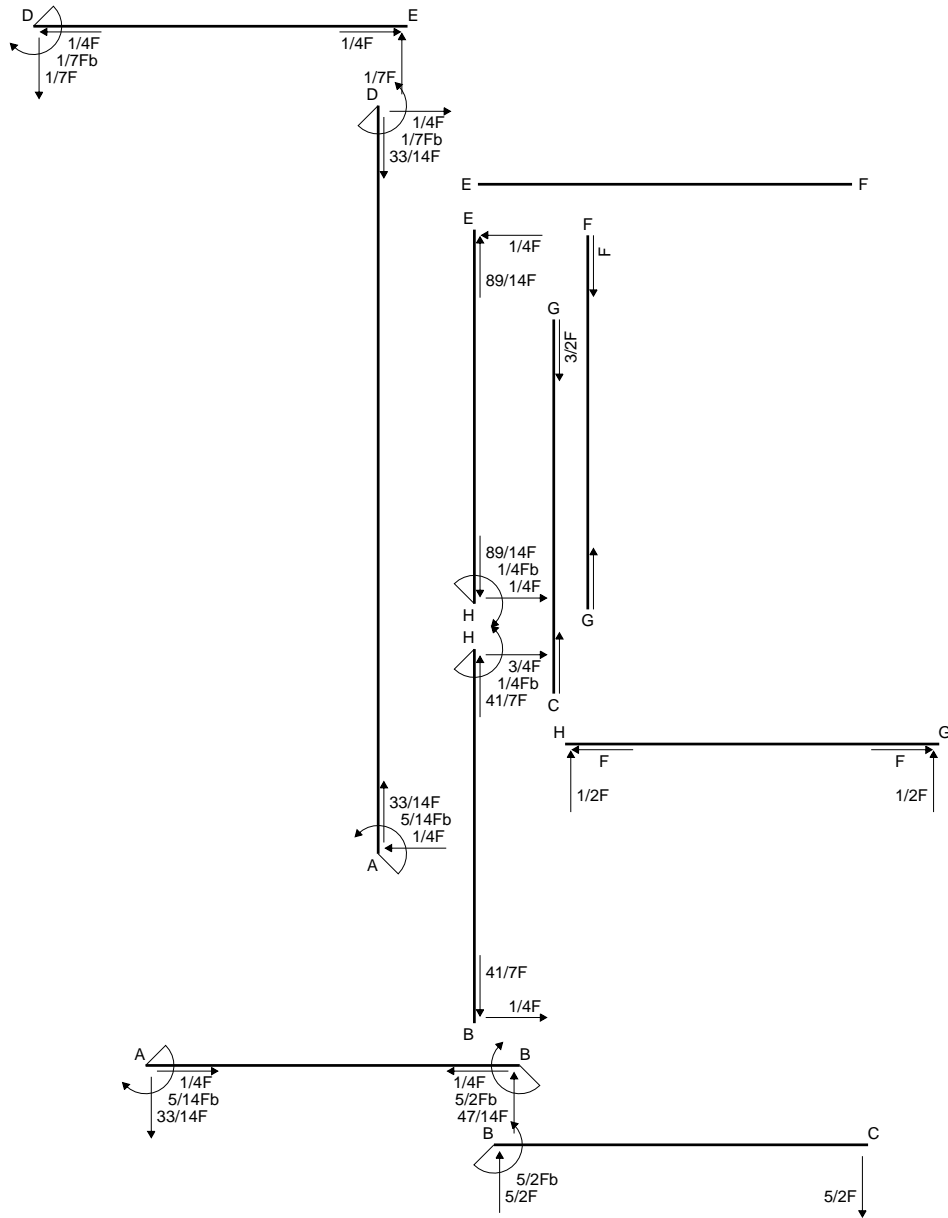
$$= (b - 1/2 b) \cdot Fb \cdot 1/EJ = 1/2 \cdot Fb^2/EJ$$

$$L_{DE}^{xo} = \int_0^b (1/2 - x/b + 1/2 x^2/b^2) \cdot Fb \cdot 1/EJ \, dx = \left[1/2 x - 1/2 x^2/b + 1/6 x^3/b^2 \right]_0^b \cdot Fb \cdot 1/EJ$$

$$= (1/2 b - 1/2 b + 1/6 b) \cdot Fb \cdot 1/EJ = 1/6 \cdot Fb^2/EJ$$

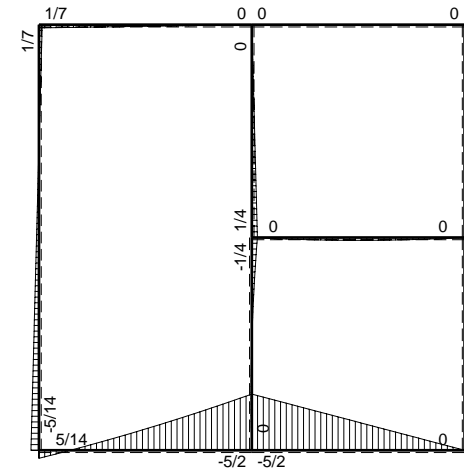
$$L_{ED}^{xo} = \int_0^b (1/2 x^2/b^2) \cdot Fb \cdot 1/EJ \, dx = \left[1/6 x^3/b^2 \right]_0^b \cdot Fb \cdot 1/EJ$$

$$= (1/6 b) \cdot Fb \cdot 1/EJ = 1/6 \cdot Fb^2/EJ$$

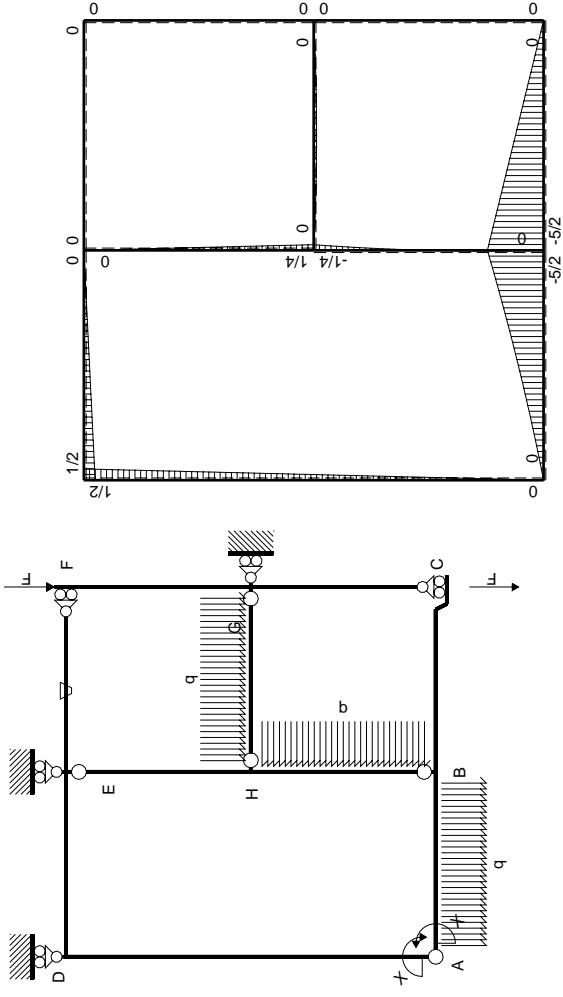


← ⊕ → F

↑ ⊕ ↓ F

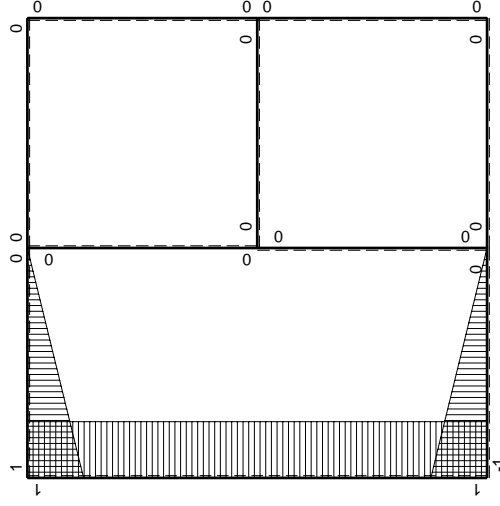


⊕ ⊖ F_b



Schema di calcolo iperstatico

M_0 flessione da carichi assegnati



M_x flessione da iperstatica $X=1$

Quadro contributi PLV per iperstatica $X=W_{AB}$

→	$M_x(x)$	$M_o(x)$	θ	$M_x M_o$	$M_x \theta$	$M_x M_x$	$\int M_x(M_o/EJ+\theta)dx$	$\int X M_x M_x/EJ dx$
AB b	$-1+x/b$	$-2Fx-1/2qx^2$	0	$2Fx-3/2Fx^2/b-1/2qx^3/b$	0	$1-2x/b+x^2/b^2$	$(3/8+0)Fb^2/EJ$	$1/3Xb/EJ$
BA b	x/b	$5/2Fb-3Fx+1/2qx^2$	0	$5/2Fx-3Fx^2/b+1/2qx^3/b$	0	x^2/b^2		
BC b	0	$-5/2Fb+5/2Fx$	0	0	0	0	0+0	0
CB b	0	$5/2Fx$	0	0	0	0		
AD 2b	1	$1/4Fx$	0	$1/4Fx$	0	1	$(1/2+0)Fb^2/EJ$	$2Xb/EJ$
DA 2b	-1	$-1/2Fb+1/4Fx$	0	$1/2Fb-1/4Fx$	0	1		
DE b	$1-x/b$	$1/2Fb-1/2Fx$	0	$1/2Fb-Fx+1/2Fx^2/b$	0	$1-2x/b+x^2/b^2$	$(1/6+0)Fb^2/EJ$	$1/3Xb/EJ$
ED b	$-x/b$	$-1/2Fx$	0	$1/2Fx^2/b$	0	x^2/b^2		
EF b	0	0	$-Fb/EJ$	0	0	0	0+0	0
FE b	0	0	Fb/EJ	0	0	0		
FG b	0	0	0	0	0	0	0+0	0
GF b	0	0	0	0	0	0		
GC b	0	0	0	0	0	0	0+0	0
CG b	0	0	0	0	0	0		
HG b	0	$1/2Fx-1/2qx^2$	0	0	0	0	0+0	0
GH b	0	$-1/2Fx+1/2qx^2$	0	0	0	0		
HB b	0	$-1/4Fb+3/4Fx-1/2qx^2$	0	0	0	0	0+0	0
BH b	0	$-1/4Fx+1/2qx^2$	0	0	0	0		
HE b	0	$1/4Fb-1/4Fx$	0	0	0	0	0+0	0
EH b	0	$-1/4Fx$	0	0	0	0		
AB	molla asta $-W_{1AB}(W_{0AB}+XW_{1AB})/k_{AB}$							$1/4Xb/EJ$
	totali						$25/24Fb^2/EJ$	$35/12Xb/EJ$
	iperstatica $X=W_{AB}$						$-5/14Fb$	

Sviluppi di calcolo iperstatica

$$L_{AB}^{xx} = \int_0^b (1 - 2x/b + x^2/b^2) \cdot 1/EJ \, dx + 1 \cdot 1/4 \cdot b/EJ = \left[x - x^2/b + 1/3 x^3/b^2 \right]_0^b \cdot 1/EJ + 1 \cdot 1/4 \cdot b/EJ$$

$$= (b - b + 1/3 b) \cdot 1/EJ + 1 \cdot 1/4 \cdot b/EJ = 7/12 \cdot b/EJ$$

$$L_{BA}^{xx} = \int_0^b (x^2/b^2) \cdot 1/EJ \, dx + 1 \cdot 1/4 \cdot b/EJ = \left[1/3 x^3/b^2 \right]_0^b \cdot 1/EJ + 1 \cdot 1/4 \cdot b/EJ$$

$$= (1/3 b) \cdot 1/EJ + 1 \cdot 1/4 \cdot b/EJ = 7/12 \cdot b/EJ$$

$$L_{AD}^{xx} = \int_0^{2b} (1) \cdot 1/EJ \, dx = \left[x \right]_0^{2b} \cdot 1/EJ$$

$$= (2b) \cdot 1/EJ = 2 \cdot b/EJ$$

$$L_{DA}^{xx} = \int_0^{2b} (1) \cdot 1/EJ \, dx = \left[x \right]_0^{2b} \cdot 1/EJ$$

$$= (2b) \cdot 1/EJ = 2 \cdot b/EJ$$

$$L_{DE}^{xx} = \int_0^b (1 - 2x/b + x^2/b^2) \cdot 1/EJ \, dx = \left[x - x^2/b + 1/3 x^3/b^2 \right]_0^b \cdot 1/EJ$$

$$= (b - b + 1/3 b) \cdot 1/EJ = 1/3 \cdot b/EJ$$

$$L_{ED}^{xx} = \int_0^b (x^2/b^2) \cdot 1/EJ \, dx = \left[1/3 x^3/b^2 \right]_0^b \cdot 1/EJ$$

$$= (1/3 b) \cdot 1/EJ = 1/3 \cdot b/EJ$$

$$L_{AB}^{xo} = \int_0^b (2x/b - 3/2 x^2/b^2 - 1/2 x^3/b^3) \cdot Fb \cdot 1/EJ \, dx + 1 \cdot 0 \cdot 1/4 \cdot Fb^2/EJ$$

$$= \left[x^2/b - 1/2 x^3/b^2 - 1/8 x^4/b^3 \right]_0^b \cdot Fb \cdot 1/EJ + 1 \cdot 0 \cdot 1/4 \cdot Fb^2/EJ$$

$$= (b - 1/2 b - 1/8 b) \cdot Fb \cdot 1/EJ + 1 \cdot 0 \cdot 1/4 \cdot Fb^2/EJ = 3/8 \cdot Fb^2/EJ$$

$$L_{BA}^{xo} = \int_0^b (5/2 x/b - 3 x^2/b^2 + 1/2 x^3/b^3) \cdot Fb \cdot 1/EJ \, dx + 1 \cdot 0 \cdot 1/4 \cdot Fb^2/EJ$$

$$= \left[5/4 x^2/b - x^3/b^2 + 1/8 x^4/b^3 \right]_0^b \cdot Fb \cdot 1/EJ + 1 \cdot 0 \cdot 1/4 \cdot Fb^2/EJ$$

$$= (5/4 b - b + 1/8 b) \cdot Fb \cdot 1/EJ + 1 \cdot 0 \cdot 1/4 \cdot Fb^2/EJ = 3/8 \cdot Fb^2/EJ$$

$$L_{AD}^{xo} = \int_0^{2b} (1/4 x/b) \cdot Fb \cdot 1/EJ \, dx = \left[1/8 x^2/b \right]_0^{2b} \cdot Fb \cdot 1/EJ$$

$$= (1/2 b) \cdot Fb \cdot 1/EJ = 1/2 \cdot Fb^2/EJ$$

$$L_{DA}^{xo} = \int_0^{2b} (1/2 - 1/4 x/b) \cdot Fb \cdot 1/EJ \, dx = \left[1/2 x - 1/8 x^2/b \right]_0^{2b} \cdot Fb \cdot 1/EJ$$

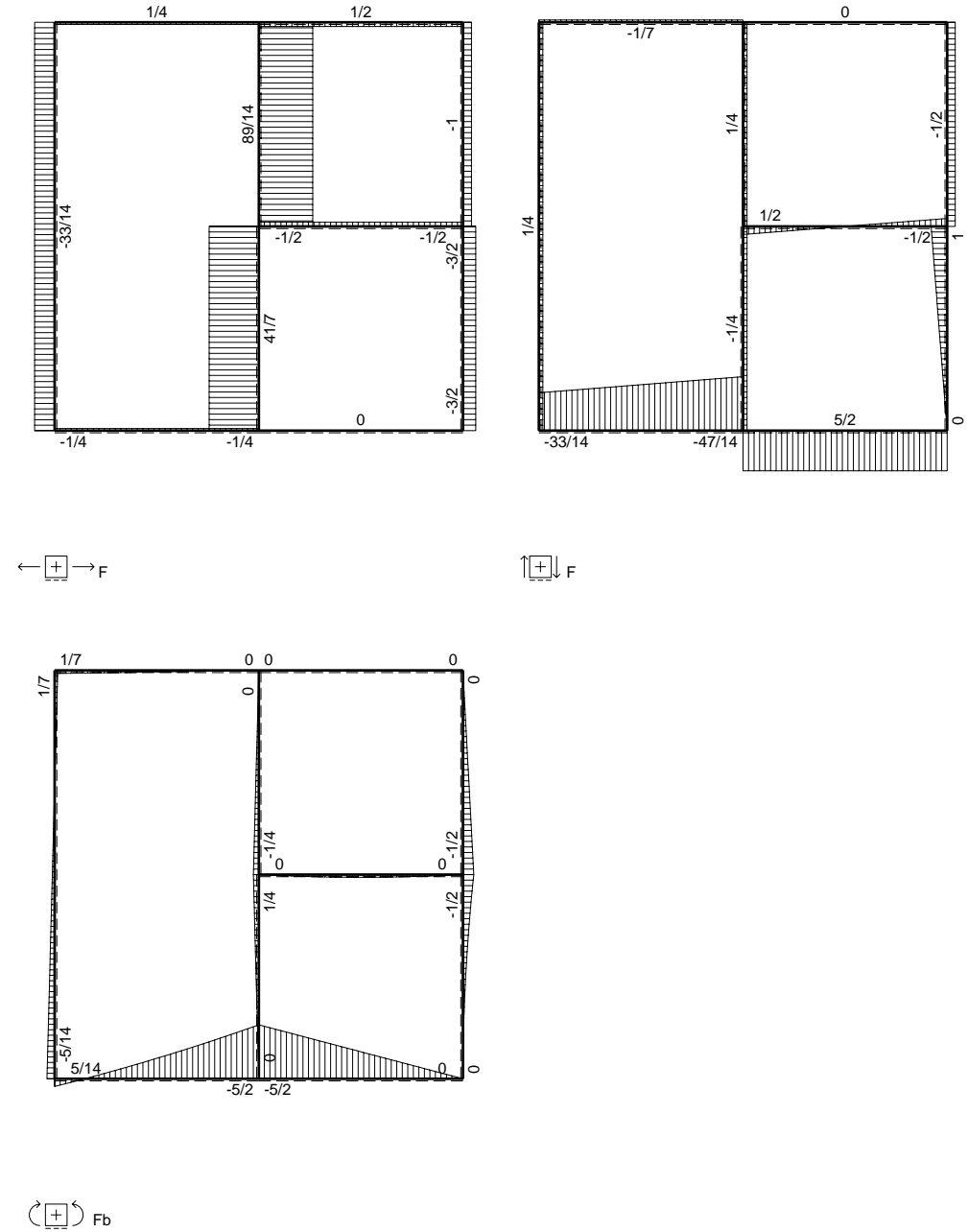
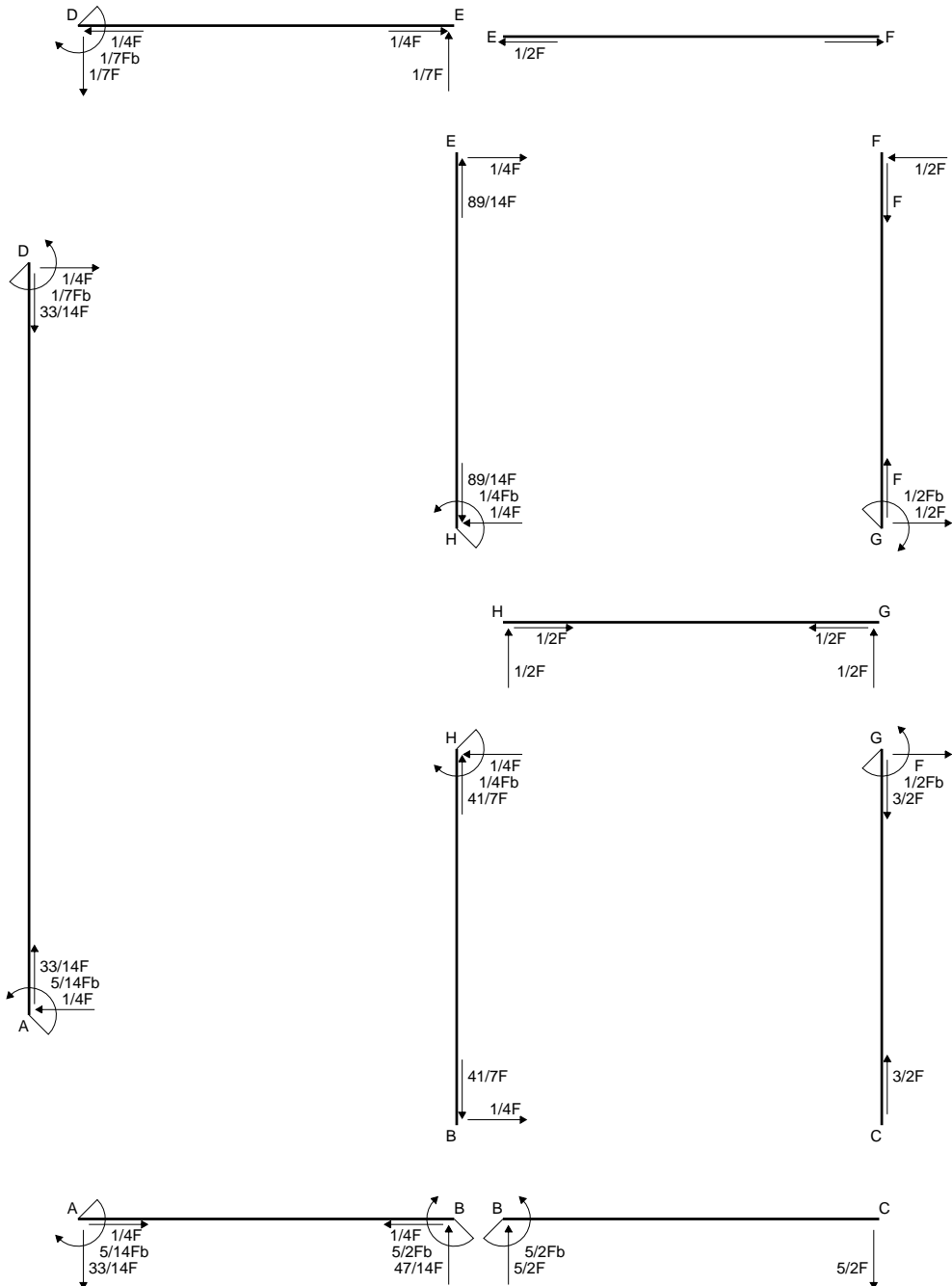
$$= (b - 1/2 b) \cdot Fb \cdot 1/EJ = 1/2 \cdot Fb^2/EJ$$

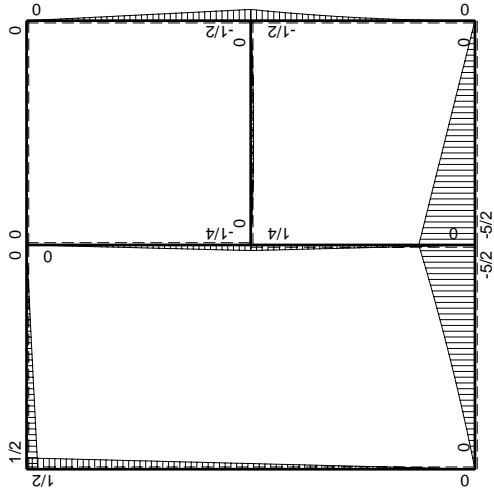
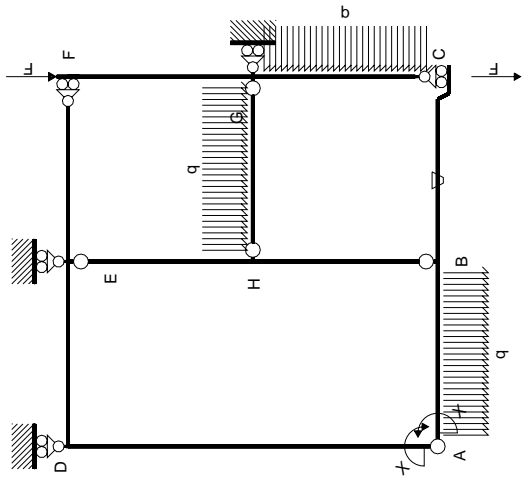
$$L_{DE}^{xo} = \int_0^b (1/2 - x/b + 1/2 x^2/b^2) \cdot Fb \cdot 1/EJ \, dx = \left[1/2 x - 1/2 x^2/b + 1/6 x^3/b^2 \right]_0^b \cdot Fb \cdot 1/EJ$$

$$= (1/2 b - 1/2 b + 1/6 b) \cdot Fb \cdot 1/EJ = 1/6 \cdot Fb^2/EJ$$

$$L_{ED}^{xo} = \int_0^b (1/2 x^2/b^2) \cdot Fb \cdot 1/EJ \, dx = \left[1/6 x^3/b^2 \right]_0^b \cdot Fb \cdot 1/EJ$$

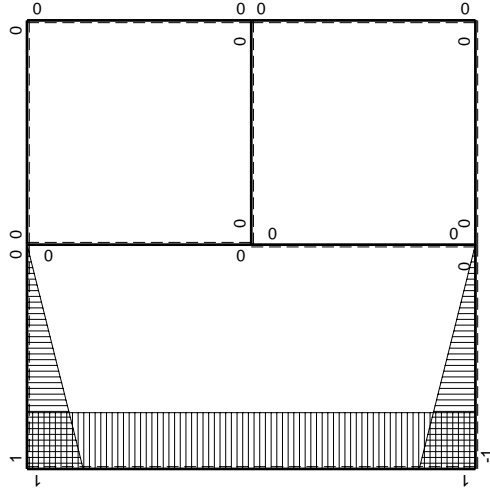
$$= (1/6 b) \cdot Fb \cdot 1/EJ = 1/6 \cdot Fb^2/EJ$$





Schema di calcolo iperstatico

M_0 flessione da carichi assegnati



M_x flessione da iperstatica $X=1$

Quadro contributi PLV per iperstatica $X=W_{AB}$

→	$M_x(x)$	$M_o(x)$	θ	$M_x M_o$	$M_x \theta$	$M_x M_x$	$\int M_x(M_o/EJ+\theta)dx$	$\int X M_x M_x/EJ dx$
AB b	$-1+x/b$	$-2Fx-1/2qx^2$	0	$2Fx-3/2Fx^2/b-1/2qx^3/b$	0	$1-2x/b+x^2/b^2$	$(3/8+0)Fb^2/EJ$	$1/3Xb/EJ$
BA b	x/b	$5/2Fb-3Fx+1/2qx^2$	0	$5/2Fx-3Fx^2/b+1/2qx^3/b$	0	x^2/b^2		
BC b	0	$-5/2Fb+5/2Fx$	$-Fb/EJ$	0	0	0	0+0	0
CB b	0	$5/2Fx$	Fb/EJ	0	0	0		
AD 2b	1	$1/4Fx$	0	$1/4Fx$	0	1	$(1/2+0)Fb^2/EJ$	$2Xb/EJ$
DA 2b	-1	$-1/2Fb+1/4Fx$	0	$1/2Fb-1/4Fx$	0	1		
DE b	$1-x/b$	$1/2Fb-1/2Fx$	0	$1/2Fb-Fx+1/2Fx^2/b$	0	$1-2x/b+x^2/b^2$	$(1/6+0)Fb^2/EJ$	$1/3Xb/EJ$
ED b	$-x/b$	$-1/2Fx$	0	$1/2Fx^2/b$	0	x^2/b^2		
EF b	0	0	0	0	0	0	0+0	0
FE b	0	0	0	0	0	0		
FG b	0	$-1/2Fx$	0	0	0	0	0+0	0
GF b	0	$1/2Fb-1/2Fx$	0	0	0	0		
GC b	0	$-1/2Fb+Fx-1/2qx^2$	0	0	0	0	0+0	0
CG b	0	$1/2qx^2$	0	0	0	0		
HG b	0	$1/2Fx-1/2qx^2$	0	0	0	0	0+0	0
GH b	0	$-1/2Fx+1/2qx^2$	0	0	0	0		
HB b	0	$1/4Fb-1/4Fx$	0	0	0	0	0+0	0
BH b	0	$-1/4Fx$	0	0	0	0		
HE b	0	$-1/4Fb+1/4Fx$	0	0	0	0	0+0	0
EH b	0	$1/4Fx$	0	0	0	0		
AB	molla asta $-W_{1AB}(W_{0AB}+XW_{1AB})/k_{AB}$							$1/4Xb/EJ$
	totali						$25/24Fb^2/EJ$	$35/12Xb/EJ$
	iperstatica $X=W_{AB}$						$-5/14Fb$	

Sviluppi di calcolo iperstatica

$$L_{AB}^{xx} = \int_0^b (1 - 2x/b + x^2/b^2) \cdot 1/EJ \, dx + 1 \cdot 1/4 \cdot b/EJ = \left[x - x^2/b + 1/3 x^3/b^2 \right]_0^b \cdot 1/EJ + 1 \cdot 1/4 \cdot b/EJ$$

$$= (b - b + 1/3 b) \cdot 1/EJ + 1 \cdot 1/4 \cdot b/EJ = 7/12 \cdot b/EJ$$

$$L_{BA}^{xx} = \int_0^b (x^2/b^2) \cdot 1/EJ \, dx + 1 \cdot 1/4 \cdot b/EJ = \left[1/3 x^3/b^2 \right]_0^b \cdot 1/EJ + 1 \cdot 1/4 \cdot b/EJ$$

$$= (1/3 b) \cdot 1/EJ + 1 \cdot 1/4 \cdot b/EJ = 7/12 \cdot b/EJ$$

$$L_{AD}^{xx} = \int_0^{2b} (1) \cdot 1/EJ \, dx = \left[x \right]_0^{2b} \cdot 1/EJ$$

$$= (2b) \cdot 1/EJ = 2 \cdot b/EJ$$

$$L_{DA}^{xx} = \int_0^{2b} (1) \cdot 1/EJ \, dx = \left[x \right]_0^{2b} \cdot 1/EJ$$

$$= (2b) \cdot 1/EJ = 2 \cdot b/EJ$$

$$L_{DE}^{xx} = \int_0^b (1 - 2x/b + x^2/b^2) \cdot 1/EJ \, dx = \left[x - x^2/b + 1/3 x^3/b^2 \right]_0^b \cdot 1/EJ$$

$$= (b - b + 1/3 b) \cdot 1/EJ = 1/3 \cdot b/EJ$$

$$L_{ED}^{xx} = \int_0^b (x^2/b^2) \cdot 1/EJ \, dx = \left[1/3 x^3/b^2 \right]_0^b \cdot 1/EJ$$

$$= (1/3 b) \cdot 1/EJ = 1/3 \cdot b/EJ$$

$$L_{AB}^{xo} = \int_0^b (2x/b - 3/2 x^2/b^2 - 1/2 x^3/b^3) \cdot Fb \cdot 1/EJ \, dx + 1 \cdot 0 \cdot 1/4 \cdot Fb^2/EJ$$

$$= \left[x^2/b - 1/2 x^3/b^2 - 1/8 x^4/b^3 \right]_0^b \cdot Fb \cdot 1/EJ + 1 \cdot 0 \cdot 1/4 \cdot Fb^2/EJ$$

$$= (b - 1/2 b - 1/8 b) \cdot Fb \cdot 1/EJ + 1 \cdot 0 \cdot 1/4 \cdot Fb^2/EJ = 3/8 \cdot Fb^2/EJ$$

$$L_{BA}^{xo} = \int_0^b (5/2 x/b - 3 x^2/b^2 + 1/2 x^3/b^3) \cdot Fb \cdot 1/EJ \, dx + 1 \cdot 0 \cdot 1/4 \cdot Fb^2/EJ$$

$$= \left[5/4 x^2/b - x^3/b^2 + 1/8 x^4/b^3 \right]_0^b \cdot Fb \cdot 1/EJ + 1 \cdot 0 \cdot 1/4 \cdot Fb^2/EJ$$

$$= (5/4 b - b + 1/8 b) \cdot Fb \cdot 1/EJ + 1 \cdot 0 \cdot 1/4 \cdot Fb^2/EJ = 3/8 \cdot Fb^2/EJ$$

$$L_{AD}^{xo} = \int_0^{2b} (1/4 x/b) \cdot Fb \cdot 1/EJ \, dx = \left[1/8 x^2/b \right]_0^{2b} \cdot Fb \cdot 1/EJ$$

$$= (1/2 b) \cdot Fb \cdot 1/EJ = 1/2 \cdot Fb^2/EJ$$

$$L_{DA}^{xo} = \int_0^{2b} (1/2 - 1/4 x/b) \cdot Fb \cdot 1/EJ \, dx = \left[1/2 x - 1/8 x^2/b \right]_0^{2b} \cdot Fb \cdot 1/EJ$$

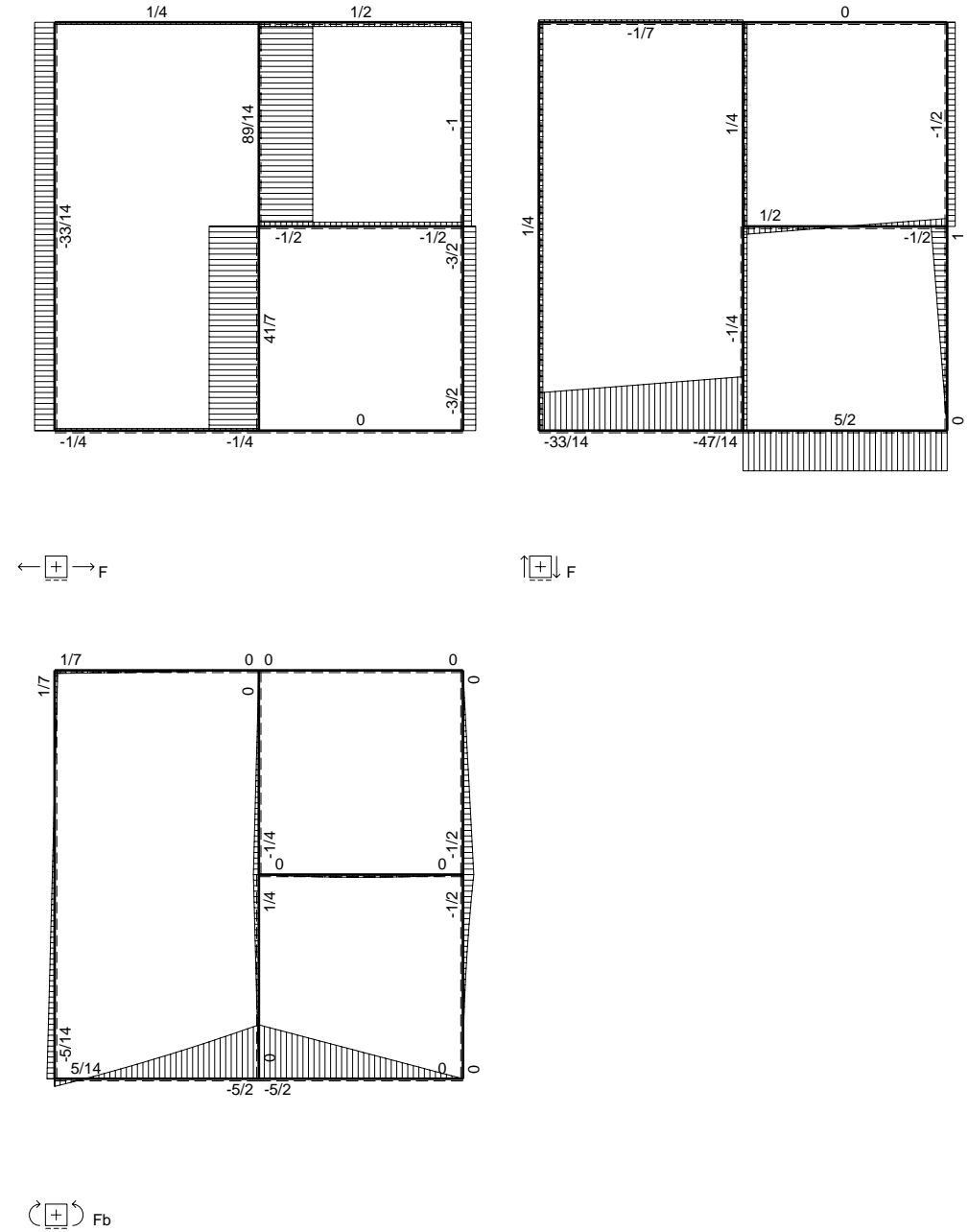
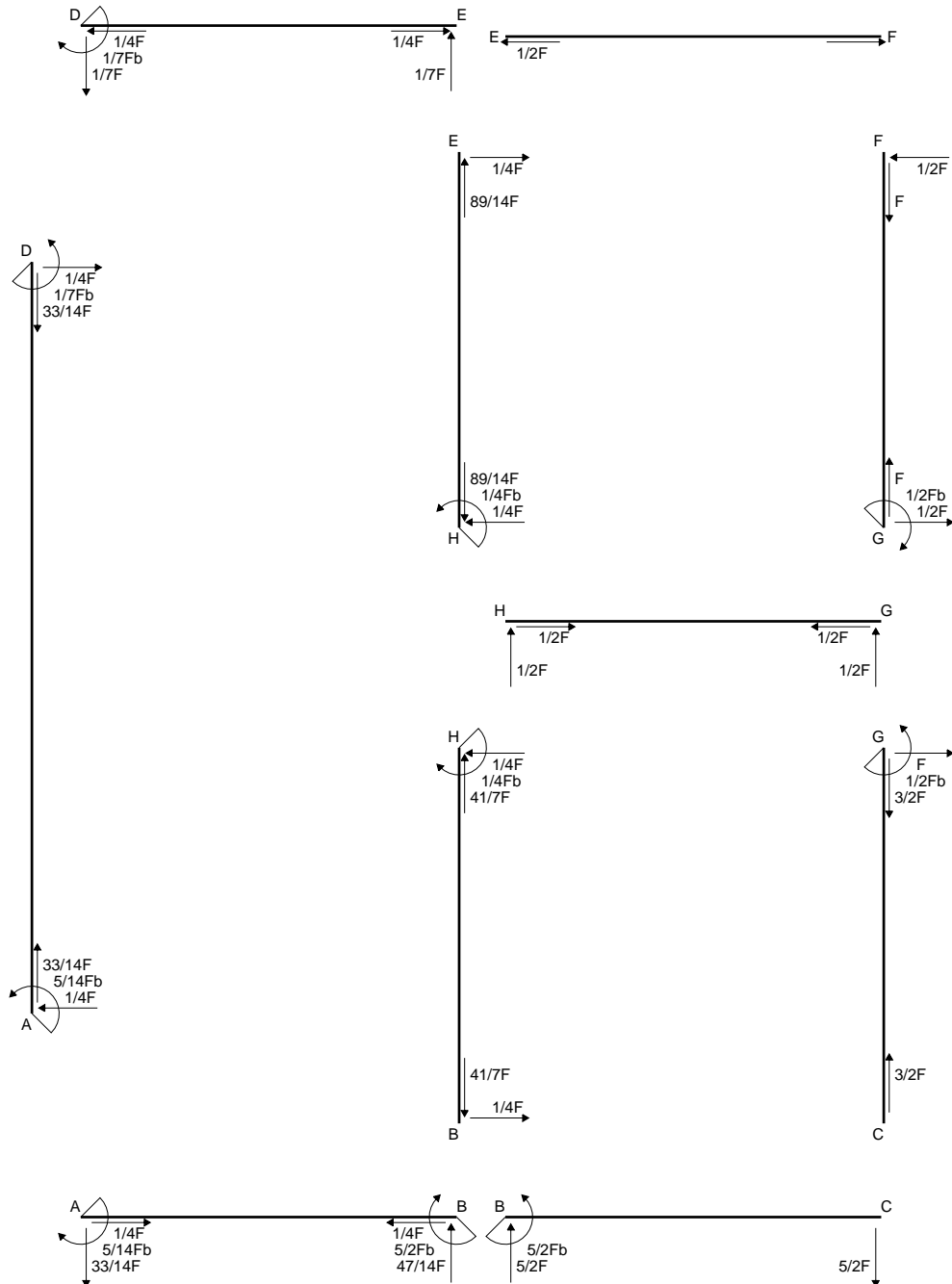
$$= (b - 1/2 b) \cdot Fb \cdot 1/EJ = 1/2 \cdot Fb^2/EJ$$

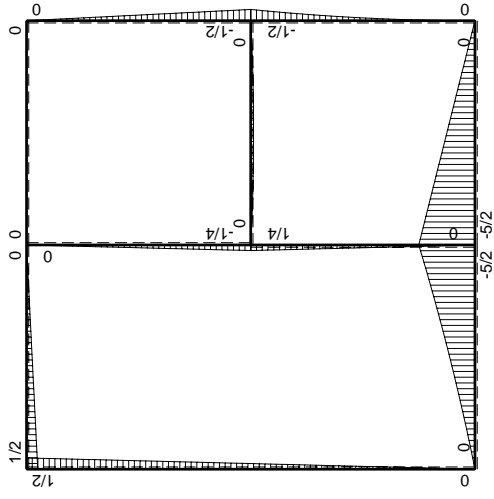
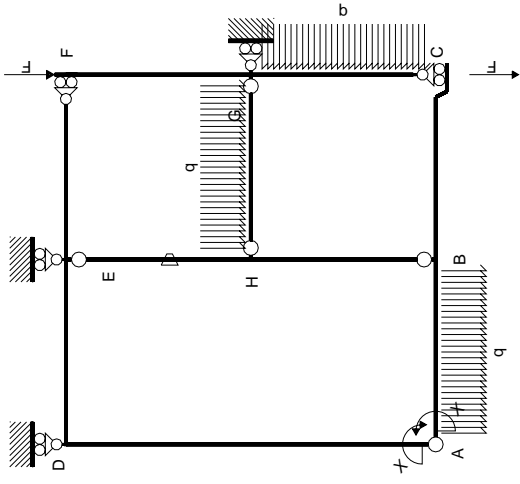
$$L_{DE}^{xo} = \int_0^b (1/2 - x/b + 1/2 x^2/b^2) \cdot Fb \cdot 1/EJ \, dx = \left[1/2 x - 1/2 x^2/b + 1/6 x^3/b^2 \right]_0^b \cdot Fb \cdot 1/EJ$$

$$= (1/2 b - 1/2 b + 1/6 b) \cdot Fb \cdot 1/EJ = 1/6 \cdot Fb^2/EJ$$

$$L_{ED}^{xo} = \int_0^b (1/2 x^2/b^2) \cdot Fb \cdot 1/EJ \, dx = \left[1/6 x^3/b^2 \right]_0^b \cdot Fb \cdot 1/EJ$$

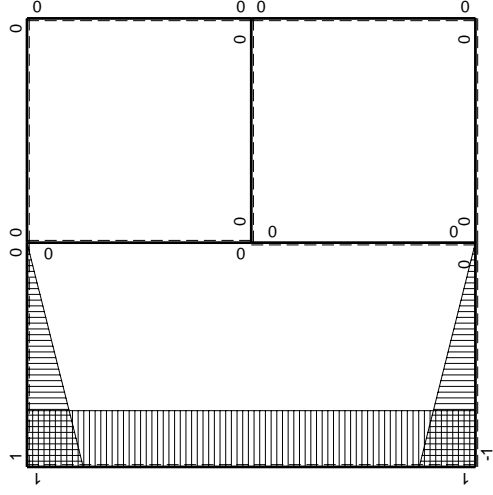
$$= (1/6 b) \cdot Fb \cdot 1/EJ = 1/6 \cdot Fb^2/EJ$$





Schema di calcolo iperstatico

M_0 flessione da carichi assegnati



M_x flessione da iperstatica $X=1$

Quadro contributi PLV per iperstatica $X=W_{AB}$

→	$M_x(x)$	$M_o(x)$	θ	$M_x M_o$	$M_x \theta$	$M_x M_x$	$\int M_x(M_o/EJ+\theta)dx$	$\int X M_x M_x/EJ dx$
AB b	$-1+x/b$	$-2Fx-1/2qx^2$	0	$2Fx-3/2Fx^2/b-1/2qx^3/b$	0	$1-2x/b+x^2/b^2$	$(3/8+0)Fb^2/EJ$	$1/3Xb/EJ$
BA b	x/b	$5/2Fb-3Fx+1/2qx^2$	0	$5/2Fx-3Fx^2/b+1/2qx^3/b$	0	x^2/b^2		
BC b	0	$-5/2Fb+5/2Fx$	0	0	0	0	0+0	0
CB b	0	$5/2Fx$	0	0	0	0		
AD 2b	1	$1/4Fx$	0	$1/4Fx$	0	1	$(1/2+0)Fb^2/EJ$	$2Xb/EJ$
DA 2b	-1	$-1/2Fb+1/4Fx$	0	$1/2Fb-1/4Fx$	0	1		
DE b	$1-x/b$	$1/2Fb-1/2Fx$	0	$1/2Fb-Fx+1/2Fx^2/b$	0	$1-2x/b+x^2/b^2$	$(1/6+0)Fb^2/EJ$	$1/3Xb/EJ$
ED b	$-x/b$	$-1/2Fx$	0	$1/2Fx^2/b$	0	x^2/b^2		
EF b	0	0	0	0	0	0	0+0	0
FE b	0	0	0	0	0	0		
FG b	0	$-1/2Fx$	0	0	0	0	0+0	0
GF b	0	$1/2Fb-1/2Fx$	0	0	0	0		
GC b	0	$-1/2Fb+Fx-1/2qx^2$	0	0	0	0	0+0	0
CG b	0	$1/2qx^2$	0	0	0	0		
HG b	0	$1/2Fx-1/2qx^2$	0	0	0	0	0+0	0
GH b	0	$-1/2Fx+1/2qx^2$	0	0	0	0		
HB b	0	$1/4Fb-1/4Fx$	0	0	0	0	0+0	0
BH b	0	$-1/4Fx$	0	0	0	0		
HE b	0	$-1/4Fb+1/4Fx$	$-Fb/EJ$	0	0	0	0+0	0
EH b	0	$1/4Fx$	Fb/EJ	0	0	0		
AB	molla asta $-W_{1AB}(W_{0AB}+XW_{1AB})/k_{AB}$							$1/4Xb/EJ$
	totali						$25/24Fb^2/EJ$	$35/12Xb/EJ$
	iperstatica $X=W_{AB}$						$-5/14Fb$	

Sviluppi di calcolo iperstatica

$$L_{AB}^{xx} = \int_0^b (1 - 2x/b + x^2/b^2) \cdot 1/EJ \, dx + 1 \cdot 1/4 \cdot b/EJ = \left[x - x^2/b + 1/3 x^3/b^2 \right]_0^b \cdot 1/EJ + 1 \cdot 1/4 \cdot b/EJ$$

$$= (b - b + 1/3 b) \cdot 1/EJ + 1 \cdot 1/4 \cdot b/EJ = 7/12 \cdot b/EJ$$

$$L_{BA}^{xx} = \int_0^b (x^2/b^2) \cdot 1/EJ \, dx + 1 \cdot 1/4 \cdot b/EJ = \left[1/3 x^3/b^2 \right]_0^b \cdot 1/EJ + 1 \cdot 1/4 \cdot b/EJ$$

$$= (1/3 b) \cdot 1/EJ + 1 \cdot 1/4 \cdot b/EJ = 7/12 \cdot b/EJ$$

$$L_{AD}^{xx} = \int_0^{2b} (1) \cdot 1/EJ \, dx = \left[x \right]_0^{2b} \cdot 1/EJ$$

$$= (2b) \cdot 1/EJ = 2 \cdot b/EJ$$

$$L_{DA}^{xx} = \int_0^{2b} (1) \cdot 1/EJ \, dx = \left[x \right]_0^{2b} \cdot 1/EJ$$

$$= (2b) \cdot 1/EJ = 2 \cdot b/EJ$$

$$L_{DE}^{xx} = \int_0^b (1 - 2x/b + x^2/b^2) \cdot 1/EJ \, dx = \left[x - x^2/b + 1/3 x^3/b^2 \right]_0^b \cdot 1/EJ$$

$$= (b - b + 1/3 b) \cdot 1/EJ = 1/3 \cdot b/EJ$$

$$L_{ED}^{xx} = \int_0^b (x^2/b^2) \cdot 1/EJ \, dx = \left[1/3 x^3/b^2 \right]_0^b \cdot 1/EJ$$

$$= (1/3 b) \cdot 1/EJ = 1/3 \cdot b/EJ$$

$$L_{AB}^{xo} = \int_0^b (2x/b - 3/2 x^2/b^2 - 1/2 x^3/b^3) \cdot Fb \cdot 1/EJ \, dx + 1 \cdot 0 \cdot 1/4 \cdot Fb^2/EJ$$

$$= \left[x^2/b - 1/2 x^3/b^2 - 1/8 x^4/b^3 \right]_0^b \cdot Fb \cdot 1/EJ + 1 \cdot 0 \cdot 1/4 \cdot Fb^2/EJ$$

$$= (b - 1/2 b - 1/8 b) \cdot Fb \cdot 1/EJ + 1 \cdot 0 \cdot 1/4 \cdot Fb^2/EJ = 3/8 \cdot Fb^2/EJ$$

$$L_{BA}^{xo} = \int_0^b (5/2 x/b - 3 x^2/b^2 + 1/2 x^3/b^3) \cdot Fb \cdot 1/EJ \, dx + 1 \cdot 0 \cdot 1/4 \cdot Fb^2/EJ$$

$$= \left[5/4 x^2/b - x^3/b^2 + 1/8 x^4/b^3 \right]_0^b \cdot Fb \cdot 1/EJ + 1 \cdot 0 \cdot 1/4 \cdot Fb^2/EJ$$

$$= (5/4 b - b + 1/8 b) \cdot Fb \cdot 1/EJ + 1 \cdot 0 \cdot 1/4 \cdot Fb^2/EJ = 3/8 \cdot Fb^2/EJ$$

$$L_{AD}^{xo} = \int_0^{2b} (1/4 x/b) \cdot Fb \cdot 1/EJ \, dx = \left[1/8 x^2/b \right]_0^{2b} \cdot Fb \cdot 1/EJ$$

$$= (1/2 b) \cdot Fb \cdot 1/EJ = 1/2 \cdot Fb^2/EJ$$

$$L_{DA}^{xo} = \int_0^{2b} (1/2 - 1/4 x/b) \cdot Fb \cdot 1/EJ \, dx = \left[1/2 x - 1/8 x^2/b \right]_0^{2b} \cdot Fb \cdot 1/EJ$$

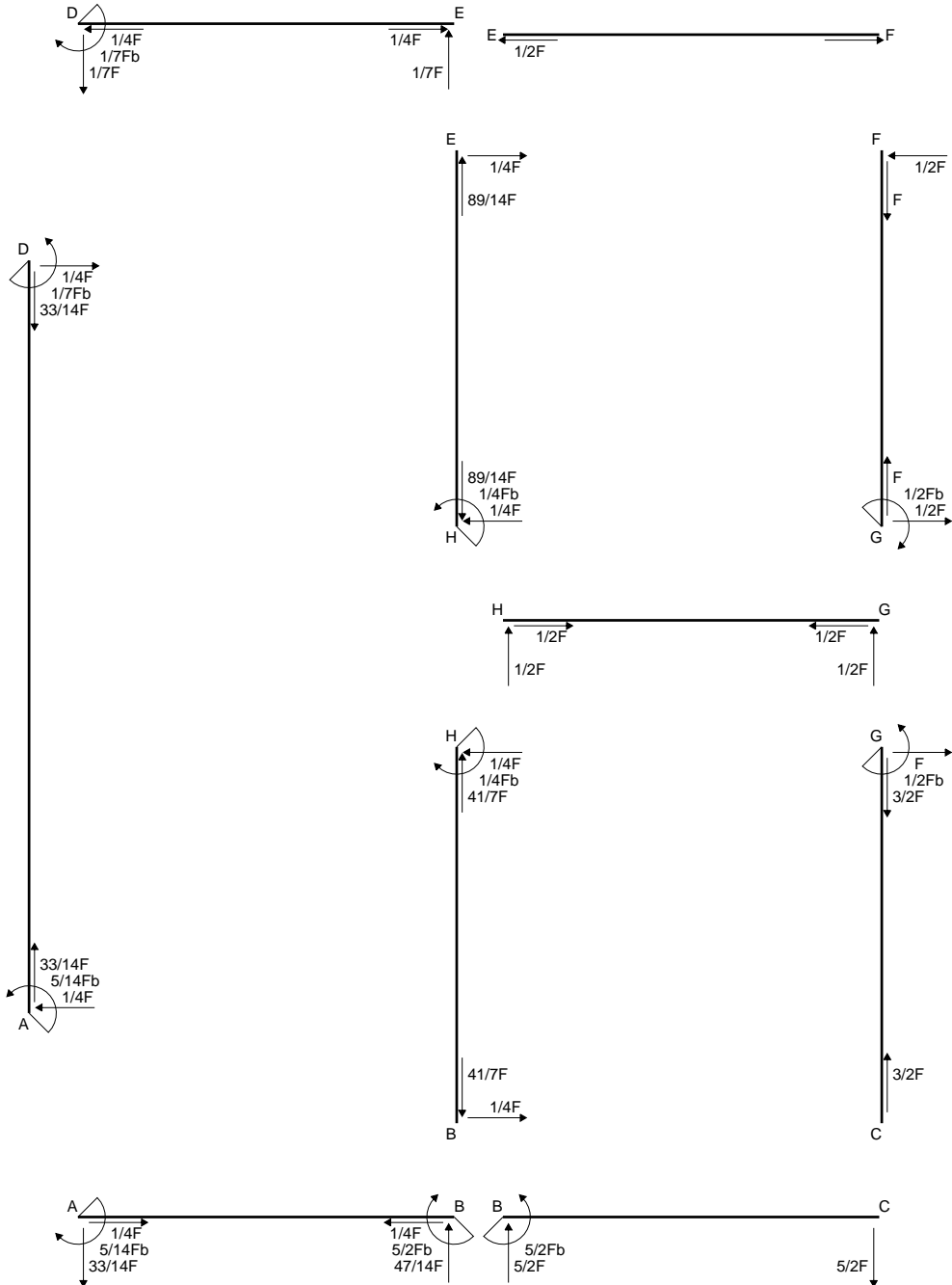
$$= (b - 1/2 b) \cdot Fb \cdot 1/EJ = 1/2 \cdot Fb^2/EJ$$

$$L_{DE}^{xo} = \int_0^b (1/2 - x/b + 1/2 x^2/b^2) \cdot Fb \cdot 1/EJ \, dx = \left[1/2 x - 1/2 x^2/b + 1/6 x^3/b^2 \right]_0^b \cdot Fb \cdot 1/EJ$$

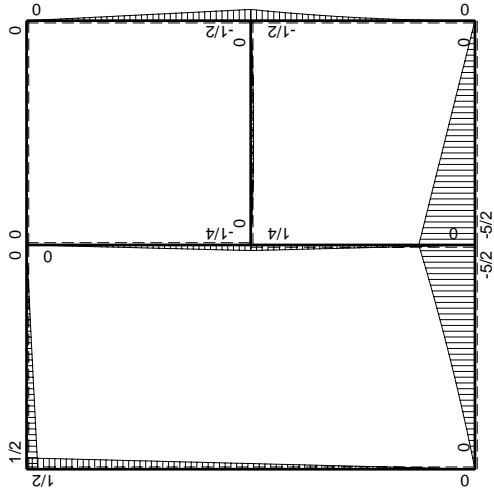
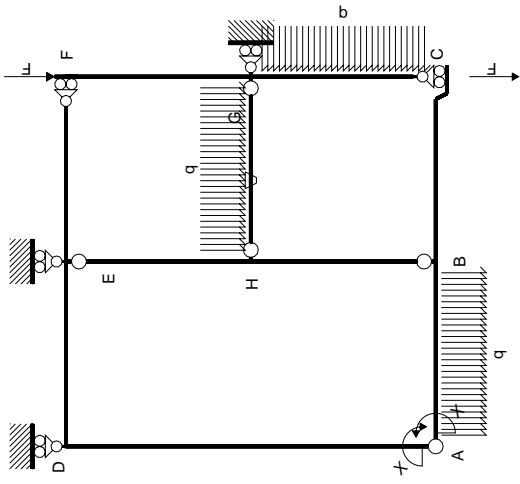
$$= (1/2 b - 1/2 b + 1/6 b) \cdot Fb \cdot 1/EJ = 1/6 \cdot Fb^2/EJ$$

$$L_{ED}^{xo} = \int_0^b (1/2 x^2/b^2) \cdot Fb \cdot 1/EJ \, dx = \left[1/6 x^3/b^2 \right]_0^b \cdot Fb \cdot 1/EJ$$

$$= (1/6 b) \cdot Fb \cdot 1/EJ = 1/6 \cdot Fb^2/EJ$$

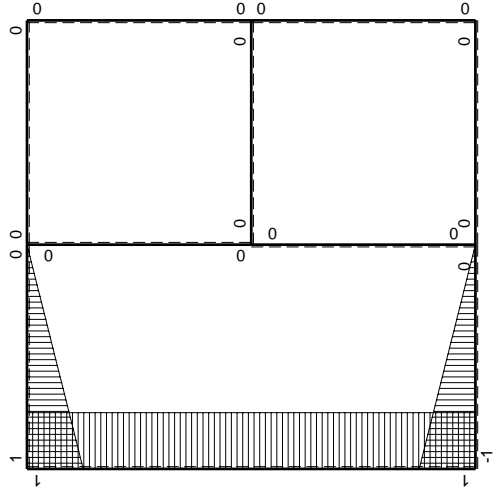


(+) Fb



Schema di calcolo iperstatico

M_0 flessione da carichi assegnati



M_x flessione da iperstatica $X=1$

Quadro contributi PLV per iperstatica $X=W_{AB}$

→	$M_x(x)$	$M_o(x)$	θ	$M_x M_o$	$M_x \theta$	$M_x M_x$	$\int M_x(M_o/EJ+\theta)dx$	$\int X M_x M_x/EJ dx$	
AB b	$-1+x/b$	$-2Fx-1/2qx^2$	0	$2Fx-3/2Fx^2/b-1/2qx^3/b$	0	$1-2x/b+x^2/b^2$	$(3/8+0)Fb^2/EJ$	$1/3Xb/EJ$	
BA b	x/b	$5/2Fb-3Fx+1/2qx^2$	0	$5/2Fx-3Fx^2/b+1/2qx^3/b$	0	x^2/b^2			
BC b	0	$-5/2Fb+5/2Fx$	0	0	0	0	0+0	0	
CB b	0	$5/2Fx$	0	0	0	0			
AD 2b	1	$1/4Fx$	0	$1/4Fx$	0	1	$(1/2+0)Fb^2/EJ$	$2Xb/EJ$	
DA 2b	-1	$-1/2Fb+1/4Fx$	0	$1/2Fb-1/4Fx$	0	1			
DE b	$1-x/b$	$1/2Fb-1/2Fx$	0	$1/2Fb-Fx+1/2Fx^2/b$	0	$1-2x/b+x^2/b^2$	$(1/6+0)Fb^2/EJ$	$1/3Xb/EJ$	
ED b	$-x/b$	$-1/2Fx$	0	$1/2Fx^2/b$	0	x^2/b^2			
EF b	0	0	0	0	0	0	0+0	0	
FE b	0	0	0	0	0	0			
FG b	0	$-1/2Fx$	0	0	0	0	0+0	0	
GF b	0	$1/2Fb-1/2Fx$	0	0	0	0			
GC b	0	$-1/2Fb+Fx-1/2qx^2$	0	0	0	0	0+0	0	
CG b	0	$1/2qx^2$	0	0	0	0			
HG b	0	$1/2Fx-1/2qx^2$	$-Fb/EJ$	0	0	0	0+0	0	
GH b	0	$-1/2Fx+1/2qx^2$	Fb/EJ	0	0	0			
HB b	0	$1/4Fb-1/4Fx$	0	0	0	0	0+0	0	
BH b	0	$-1/4Fx$	0	0	0	0			
HE b	0	$-1/4Fb+1/4Fx$	0	0	0	0	0+0	0	
EH b	0	$1/4Fx$	0	0	0	0			
AB	molla asta $-W_{1AB}(W_{0AB}+XW_{1AB})/k_{AB}$								$1/4Xb/EJ$
	totali							$25/24Fb^2/EJ$	$35/12Xb/EJ$
	iperstatica $X=W_{AB}$							$-5/14Fb$	

Sviluppi di calcolo iperstatica

$$L_{AB}^{xx} = \int_0^b (1 - 2x/b + x^2/b^2) \cdot 1/EJ \, dx + 1 \cdot 1/4 \cdot b/EJ = \left[x - x^2/b + 1/3 x^3/b^2 \right]_0^b \cdot 1/EJ + 1 \cdot 1/4 \cdot b/EJ$$

$$= (b - b + 1/3 b) \cdot 1/EJ + 1 \cdot 1/4 \cdot b/EJ = 7/12 \cdot b/EJ$$

$$L_{BA}^{xx} = \int_0^b (x^2/b^2) \cdot 1/EJ \, dx + 1 \cdot 1/4 \cdot b/EJ = \left[1/3 x^3/b^2 \right]_0^b \cdot 1/EJ + 1 \cdot 1/4 \cdot b/EJ$$

$$= (1/3 b) \cdot 1/EJ + 1 \cdot 1/4 \cdot b/EJ = 7/12 \cdot b/EJ$$

$$L_{AD}^{xx} = \int_0^{2b} (1) \cdot 1/EJ \, dx = \left[x \right]_0^{2b} \cdot 1/EJ$$

$$= (2b) \cdot 1/EJ = 2 \cdot b/EJ$$

$$L_{DA}^{xx} = \int_0^{2b} (1) \cdot 1/EJ \, dx = \left[x \right]_0^{2b} \cdot 1/EJ$$

$$= (2b) \cdot 1/EJ = 2 \cdot b/EJ$$

$$L_{DE}^{xx} = \int_0^b (1 - 2x/b + x^2/b^2) \cdot 1/EJ \, dx = \left[x - x^2/b + 1/3 x^3/b^2 \right]_0^b \cdot 1/EJ$$

$$= (b - b + 1/3 b) \cdot 1/EJ = 1/3 \cdot b/EJ$$

$$L_{ED}^{xx} = \int_0^b (x^2/b^2) \cdot 1/EJ \, dx = \left[1/3 x^3/b^2 \right]_0^b \cdot 1/EJ$$

$$= (1/3 b) \cdot 1/EJ = 1/3 \cdot b/EJ$$

$$L_{AB}^{xo} = \int_0^b (2x/b - 3/2 x^2/b^2 - 1/2 x^3/b^3) \cdot Fb \cdot 1/EJ \, dx + 1 \cdot 0 \cdot 1/4 \cdot Fb^2/EJ$$

$$= \left[x^2/b - 1/2 x^3/b^2 - 1/8 x^4/b^3 \right]_0^b \cdot Fb \cdot 1/EJ + 1 \cdot 0 \cdot 1/4 \cdot Fb^2/EJ$$

$$= (b - 1/2 b - 1/8 b) \cdot Fb \cdot 1/EJ + 1 \cdot 0 \cdot 1/4 \cdot Fb^2/EJ = 3/8 \cdot Fb^2/EJ$$

$$L_{BA}^{xo} = \int_0^b (5/2 x/b - 3 x^2/b^2 + 1/2 x^3/b^3) \cdot Fb \cdot 1/EJ \, dx + 1 \cdot 0 \cdot 1/4 \cdot Fb^2/EJ$$

$$= \left[5/4 x^2/b - x^3/b^2 + 1/8 x^4/b^3 \right]_0^b \cdot Fb \cdot 1/EJ + 1 \cdot 0 \cdot 1/4 \cdot Fb^2/EJ$$

$$= (5/4 b - b + 1/8 b) \cdot Fb \cdot 1/EJ + 1 \cdot 0 \cdot 1/4 \cdot Fb^2/EJ = 3/8 \cdot Fb^2/EJ$$

$$L_{AD}^{xo} = \int_0^{2b} (1/4 x/b) \cdot Fb \cdot 1/EJ \, dx = \left[1/8 x^2/b \right]_0^{2b} \cdot Fb \cdot 1/EJ$$

$$= (1/2 b) \cdot Fb \cdot 1/EJ = 1/2 \cdot Fb^2/EJ$$

$$L_{DA}^{xo} = \int_0^{2b} (1/2 - 1/4 x/b) \cdot Fb \cdot 1/EJ \, dx = \left[1/2 x - 1/8 x^2/b \right]_0^{2b} \cdot Fb \cdot 1/EJ$$

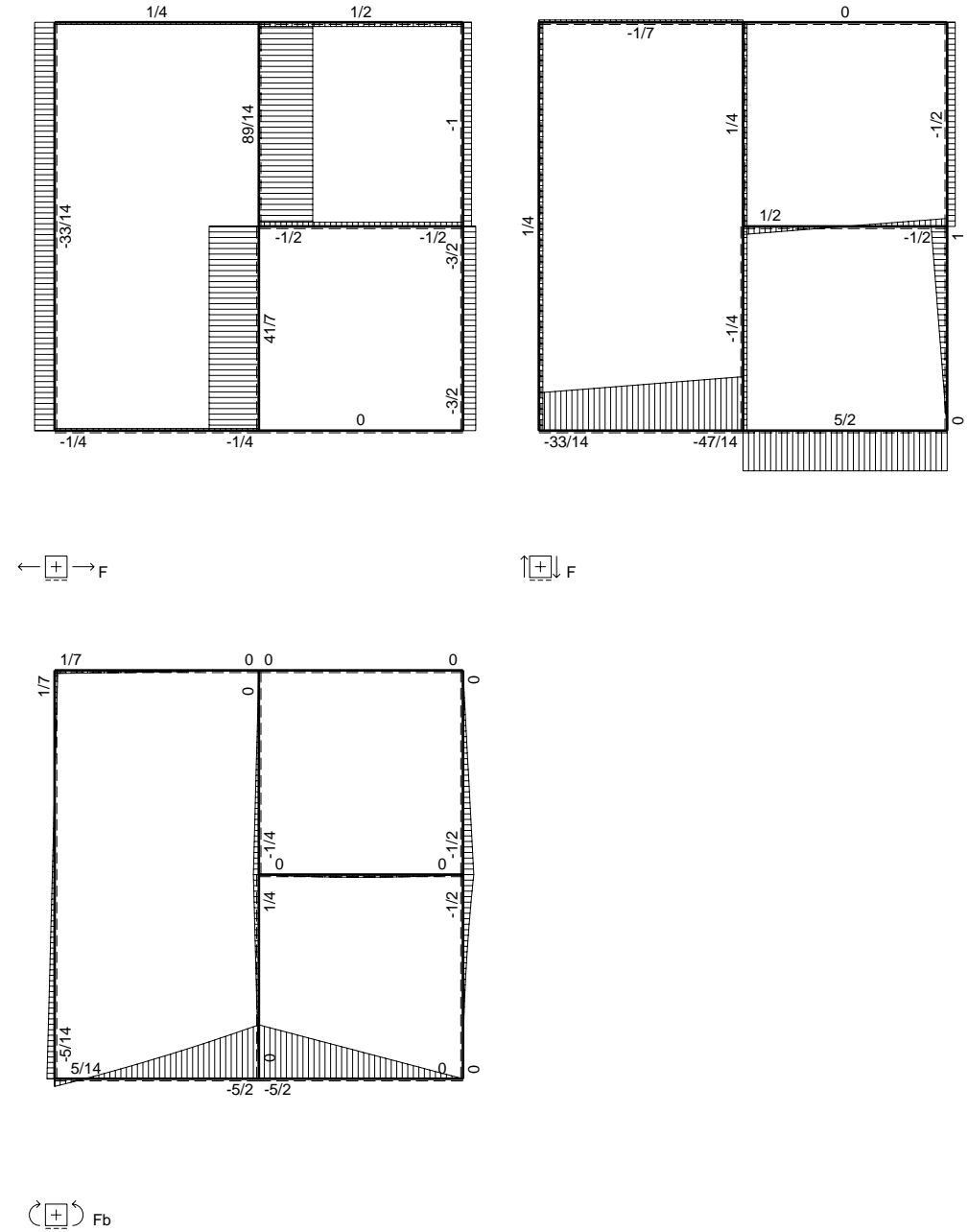
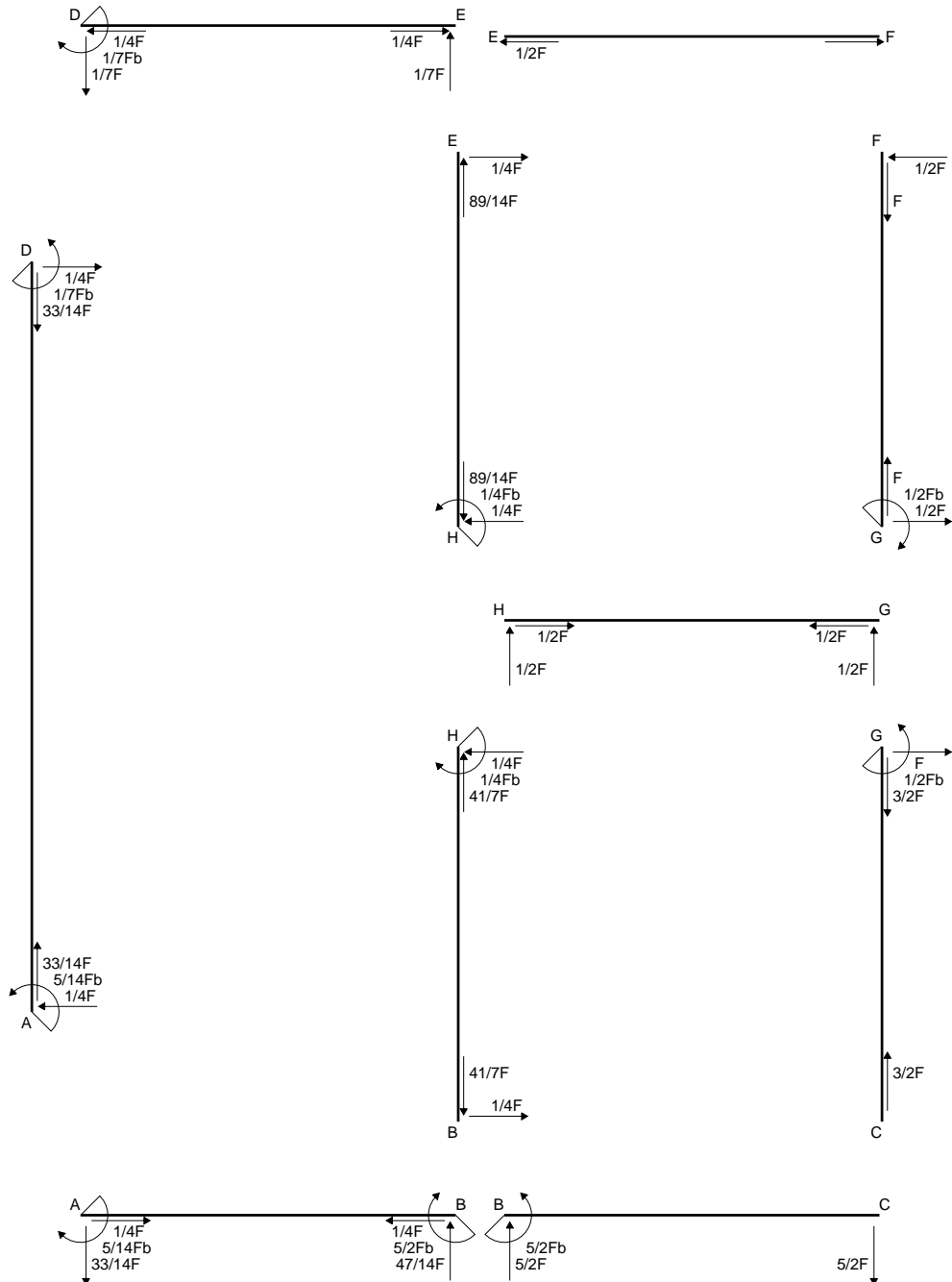
$$= (b - 1/2 b) \cdot Fb \cdot 1/EJ = 1/2 \cdot Fb^2/EJ$$

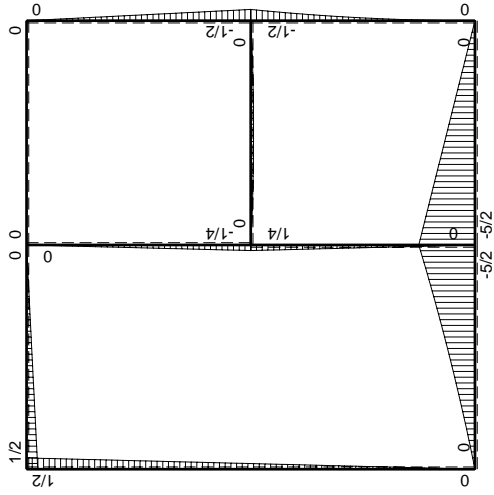
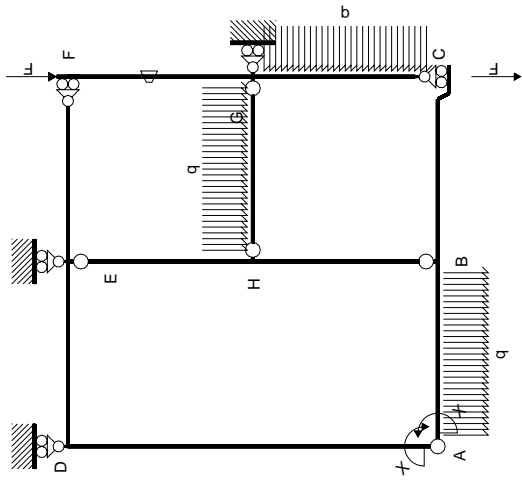
$$L_{DE}^{xo} = \int_0^b (1/2 - x/b + 1/2 x^2/b^2) \cdot Fb \cdot 1/EJ \, dx = \left[1/2 x - 1/2 x^2/b + 1/6 x^3/b^2 \right]_0^b \cdot Fb \cdot 1/EJ$$

$$= (1/2 b - 1/2 b + 1/6 b) \cdot Fb \cdot 1/EJ = 1/6 \cdot Fb^2/EJ$$

$$L_{ED}^{xo} = \int_0^b (1/2 x^2/b^2) \cdot Fb \cdot 1/EJ \, dx = \left[1/6 x^3/b^2 \right]_0^b \cdot Fb \cdot 1/EJ$$

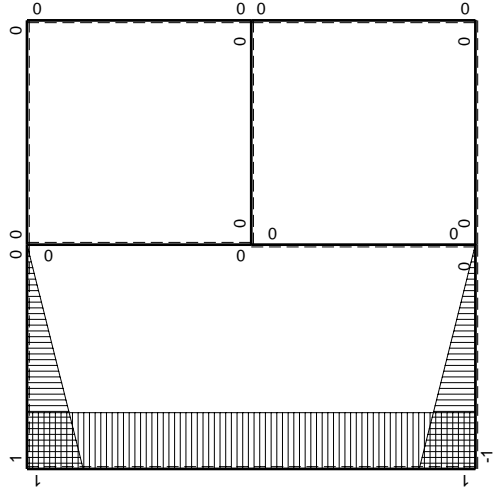
$$= (1/6 b) \cdot Fb \cdot 1/EJ = 1/6 \cdot Fb^2/EJ$$





Schema di calcolo iperstatico

M_0 flessione da carichi assegnati



M_1 flessione da iperstatica $X=1$

Quadro contributi PLV per iperstatica $X=W_{AB}$

→	$M_x(x)$	$M_o(x)$	θ	$M_x M_o$	$M_x \theta$	$M_x M_x$	$\int M_x(M_o/EJ+\theta)dx$	$\int X M_x M_x/EJ dx$	
AB b	$-1+x/b$	$-2Fx-1/2qx^2$	0	$2Fx-3/2Fx^2/b-1/2qx^3/b$	0	$1-2x/b+x^2/b^2$	$(3/8+0)Fb^2/EJ$	$1/3Xb/EJ$	
BA b	x/b	$5/2Fb-3Fx+1/2qx^2$	0	$5/2Fx-3Fx^2/b+1/2qx^3/b$	0	x^2/b^2			
BC b	0	$-5/2Fb+5/2Fx$	0	0	0	0	0+0	0	
CB b	0	$5/2Fx$	0	0	0	0			
AD 2b	1	$1/4Fx$	0	$1/4Fx$	0	1	$(1/2+0)Fb^2/EJ$	$2Xb/EJ$	
DA 2b	-1	$-1/2Fb+1/4Fx$	0	$1/2Fb-1/4Fx$	0	1			
DE b	$1-x/b$	$1/2Fb-1/2Fx$	0	$1/2Fb-Fx+1/2Fx^2/b$	0	$1-2x/b+x^2/b^2$	$(1/6+0)Fb^2/EJ$	$1/3Xb/EJ$	
ED b	$-x/b$	$-1/2Fx$	0	$1/2Fx^2/b$	0	x^2/b^2			
EF b	0	0	0	0	0	0	0+0	0	
FE b	0	0	0	0	0	0			
FG b	0	$-1/2Fx$	$-Fb/EJ$	0	0	0	0+0	0	
GF b	0	$1/2Fb-1/2Fx$	Fb/EJ	0	0	0			
GC b	0	$-1/2Fb+Fx-1/2qx^2$	0	0	0	0	0+0	0	
CG b	0	$1/2qx^2$	0	0	0	0			
HG b	0	$1/2Fx-1/2qx^2$	0	0	0	0	0+0	0	
GH b	0	$-1/2Fx+1/2qx^2$	0	0	0	0			
HB b	0	$1/4Fb-1/4Fx$	0	0	0	0	0+0	0	
BH b	0	$-1/4Fx$	0	0	0	0			
HE b	0	$-1/4Fb+1/4Fx$	0	0	0	0	0+0	0	
EH b	0	$1/4Fx$	0	0	0	0			
AB	molla asta $-W_{1AB}(W_{0AB}+XW_{1AB})/k_{AB}$								$1/4Xb/EJ$
	totali							$25/24Fb^2/EJ$	$35/12Xb/EJ$
	iperstatica $X=W_{AB}$							$-5/14Fb$	

Sviluppi di calcolo iperstatica

$$L_{AB}^{xx} = \int_0^b (1 - 2x/b + x^2/b^2) \cdot 1/EJ \, dx + 1 \cdot 1/4 \cdot b/EJ = \left[x - x^2/b + 1/3 x^3/b^2 \right]_0^b \cdot 1/EJ + 1 \cdot 1/4 \cdot b/EJ$$

$$= (b - b + 1/3 b) \cdot 1/EJ + 1 \cdot 1/4 \cdot b/EJ = 7/12 \cdot b/EJ$$

$$L_{BA}^{xx} = \int_0^b (x^2/b^2) \cdot 1/EJ \, dx + 1 \cdot 1/4 \cdot b/EJ = \left[1/3 x^3/b^2 \right]_0^b \cdot 1/EJ + 1 \cdot 1/4 \cdot b/EJ$$

$$= (1/3 b) \cdot 1/EJ + 1 \cdot 1/4 \cdot b/EJ = 7/12 \cdot b/EJ$$

$$L_{AD}^{xx} = \int_0^{2b} (1) \cdot 1/EJ \, dx = \left[x \right]_0^{2b} \cdot 1/EJ$$

$$= (2b) \cdot 1/EJ = 2 \cdot b/EJ$$

$$L_{DA}^{xx} = \int_0^{2b} (1) \cdot 1/EJ \, dx = \left[x \right]_0^{2b} \cdot 1/EJ$$

$$= (2b) \cdot 1/EJ = 2 \cdot b/EJ$$

$$L_{DE}^{xx} = \int_0^b (1 - 2x/b + x^2/b^2) \cdot 1/EJ \, dx = \left[x - x^2/b + 1/3 x^3/b^2 \right]_0^b \cdot 1/EJ$$

$$= (b - b + 1/3 b) \cdot 1/EJ = 1/3 \cdot b/EJ$$

$$L_{ED}^{xx} = \int_0^b (x^2/b^2) \cdot 1/EJ \, dx = \left[1/3 x^3/b^2 \right]_0^b \cdot 1/EJ$$

$$= (1/3 b) \cdot 1/EJ = 1/3 \cdot b/EJ$$

$$L_{AB}^{xo} = \int_0^b (2x/b - 3/2 x^2/b^2 - 1/2 x^3/b^3) \cdot Fb \cdot 1/EJ \, dx + 1 \cdot 0 \cdot 1/4 \cdot Fb^2/EJ$$

$$= \left[x^2/b - 1/2 x^3/b^2 - 1/8 x^4/b^3 \right]_0^b \cdot Fb \cdot 1/EJ + 1 \cdot 0 \cdot 1/4 \cdot Fb^2/EJ$$

$$= (b - 1/2 b - 1/8 b) \cdot Fb \cdot 1/EJ + 1 \cdot 0 \cdot 1/4 \cdot Fb^2/EJ = 3/8 \cdot Fb^2/EJ$$

$$L_{BA}^{xo} = \int_0^b (5/2 x/b - 3 x^2/b^2 + 1/2 x^3/b^3) \cdot Fb \cdot 1/EJ \, dx + 1 \cdot 0 \cdot 1/4 \cdot Fb^2/EJ$$

$$= \left[5/4 x^2/b - x^3/b^2 + 1/8 x^4/b^3 \right]_0^b \cdot Fb \cdot 1/EJ + 1 \cdot 0 \cdot 1/4 \cdot Fb^2/EJ$$

$$= (5/4 b - b + 1/8 b) \cdot Fb \cdot 1/EJ + 1 \cdot 0 \cdot 1/4 \cdot Fb^2/EJ = 3/8 \cdot Fb^2/EJ$$

$$L_{AD}^{xo} = \int_0^{2b} (1/4 x/b) \cdot Fb \cdot 1/EJ \, dx = \left[1/8 x^2/b \right]_0^{2b} \cdot Fb \cdot 1/EJ$$

$$= (1/2 b) \cdot Fb \cdot 1/EJ = 1/2 \cdot Fb^2/EJ$$

$$L_{DA}^{xo} = \int_0^{2b} (1/2 - 1/4 x/b) \cdot Fb \cdot 1/EJ \, dx = \left[1/2 x - 1/8 x^2/b \right]_0^{2b} \cdot Fb \cdot 1/EJ$$

$$= (b - 1/2 b) \cdot Fb \cdot 1/EJ = 1/2 \cdot Fb^2/EJ$$

$$L_{DE}^{xo} = \int_0^b (1/2 - x/b + 1/2 x^2/b^2) \cdot Fb \cdot 1/EJ \, dx = \left[1/2 x - 1/2 x^2/b + 1/6 x^3/b^2 \right]_0^b \cdot Fb \cdot 1/EJ$$

$$= (1/2 b - 1/2 b + 1/6 b) \cdot Fb \cdot 1/EJ = 1/6 \cdot Fb^2/EJ$$

$$L_{ED}^{xo} = \int_0^b (1/2 x^2/b^2) \cdot Fb \cdot 1/EJ \, dx = \left[1/6 x^3/b^2 \right]_0^b \cdot Fb \cdot 1/EJ$$

$$= (1/6 b) \cdot Fb \cdot 1/EJ = 1/6 \cdot Fb^2/EJ$$

Quadro contributi PLV per iperstatica $X=W_{AB}$

→	$M_x(x)$	$M_o(x)$	θ	$M_x M_o$	$M_x \theta$	$M_x M_x$	$\int M_x(M_o/EJ+\theta)dx$	$\int X M_x M_x/EJ dx$	
AB b	$-1+x/b$	$-2Fx-1/2qx^2$	0	$2Fx-3/2Fx^2/b-1/2qx^3/b$	0	$1-2x/b+x^2/b^2$	$(3/8+0)Fb^2/EJ$	$1/3Xb/EJ$	
BA b	x/b	$5/2Fb-3Fx+1/2qx^2$	0	$5/2Fx-3Fx^2/b+1/2qx^3/b$	0	x^2/b^2			
BC b	0	$-5/2Fb+5/2Fx$	0	0	0	0	0+0	0	
CB b	0	$5/2Fx$	0	0	0	0			
AD 2b	1	$1/4Fx$	0	$1/4Fx$	0	1	$(1/2+0)Fb^2/EJ$	$2Xb/EJ$	
DA 2b	-1	$-1/2Fb+1/4Fx$	0	$1/2Fb-1/4Fx$	0	1			
DE b	$1-x/b$	$1/2Fb-1/2Fx$	0	$1/2Fb-Fx+1/2Fx^2/b$	0	$1-2x/b+x^2/b^2$	$(1/6+0)Fb^2/EJ$	$1/3Xb/EJ$	
ED b	$-x/b$	$-1/2Fx$	0	$1/2Fx^2/b$	0	x^2/b^2			
EF b	0	0	0	0	0	0	0+0	0	
FE b	0	0	0	0	0	0			
FG b	0	$-1/2Fx$	0	0	0	0	0+0	0	
GF b	0	$1/2Fb-1/2Fx$	0	0	0	0			
GC b	0	$-1/2Fb+Fx-1/2qx^2$	0	0	0	0	0+0	0	
CG b	0	$1/2qx^2$	0	0	0	0			
HG b	0	$1/2Fx-1/2qx^2$	0	0	0	0	0+0	0	
GH b	0	$-1/2Fx+1/2qx^2$	0	0	0	0			
HB b	0	$1/4Fb-1/4Fx$	$-Fb/EJ$	0	0	0	0+0	0	
BH b	0	$-1/4Fx$	Fb/EJ	0	0	0			
HE b	0	$-1/4Fb+1/4Fx$	0	0	0	0	0+0	0	
EH b	0	$1/4Fx$	0	0	0	0			
AB	molla asta $-W_{1AB}(W_{0AB}+XW_{1AB})/k_{AB}$								$1/4Xb/EJ$
	totali							$25/24Fb^2/EJ$	$35/12Xb/EJ$
	iperstatica $X=W_{AB}$							$-5/14Fb$	

Sviluppi di calcolo iperstatica

$$L_{AB}^{xx} = \int_0^b (1 - 2x/b + x^2/b^2) \cdot 1/EJ \, dx + 1 \cdot 1/4 \cdot b/EJ = \left[x - x^2/b + 1/3 x^3/b^2 \right]_0^b \cdot 1/EJ + 1 \cdot 1/4 \cdot b/EJ$$

$$= (b - b + 1/3 b) \cdot 1/EJ + 1 \cdot 1/4 \cdot b/EJ = 7/12 \cdot b/EJ$$

$$L_{BA}^{xx} = \int_0^b (x^2/b^2) \cdot 1/EJ \, dx + 1 \cdot 1/4 \cdot b/EJ = \left[1/3 x^3/b^2 \right]_0^b \cdot 1/EJ + 1 \cdot 1/4 \cdot b/EJ$$

$$= (1/3 b) \cdot 1/EJ + 1 \cdot 1/4 \cdot b/EJ = 7/12 \cdot b/EJ$$

$$L_{AD}^{xx} = \int_0^{2b} (1) \cdot 1/EJ \, dx = \left[x \right]_0^{2b} \cdot 1/EJ$$

$$= (2b) \cdot 1/EJ = 2 \cdot b/EJ$$

$$L_{DA}^{xx} = \int_0^{2b} (1) \cdot 1/EJ \, dx = \left[x \right]_0^{2b} \cdot 1/EJ$$

$$= (2b) \cdot 1/EJ = 2 \cdot b/EJ$$

$$L_{DE}^{xx} = \int_0^b (1 - 2x/b + x^2/b^2) \cdot 1/EJ \, dx = \left[x - x^2/b + 1/3 x^3/b^2 \right]_0^b \cdot 1/EJ$$

$$= (b - b + 1/3 b) \cdot 1/EJ = 1/3 \cdot b/EJ$$

$$L_{ED}^{xx} = \int_0^b (x^2/b^2) \cdot 1/EJ \, dx = \left[1/3 x^3/b^2 \right]_0^b \cdot 1/EJ$$

$$= (1/3 b) \cdot 1/EJ = 1/3 \cdot b/EJ$$

$$L_{AB}^{xo} = \int_0^b (2x/b - 3/2 x^2/b^2 - 1/2 x^3/b^3) \cdot Fb \cdot 1/EJ \, dx + 1 \cdot 0 \cdot 1/4 \cdot Fb^2/EJ$$

$$= \left[x^2/b - 1/2 x^3/b^2 - 1/8 x^4/b^3 \right]_0^b \cdot Fb \cdot 1/EJ + 1 \cdot 0 \cdot 1/4 \cdot Fb^2/EJ$$

$$= (b - 1/2 b - 1/8 b) \cdot Fb \cdot 1/EJ + 1 \cdot 0 \cdot 1/4 \cdot Fb^2/EJ = 3/8 \cdot Fb^2/EJ$$

$$L_{BA}^{xo} = \int_0^b (5/2 x/b - 3 x^2/b^2 + 1/2 x^3/b^3) \cdot Fb \cdot 1/EJ \, dx + 1 \cdot 0 \cdot 1/4 \cdot Fb^2/EJ$$

$$= \left[5/4 x^2/b - x^3/b^2 + 1/8 x^4/b^3 \right]_0^b \cdot Fb \cdot 1/EJ + 1 \cdot 0 \cdot 1/4 \cdot Fb^2/EJ$$

$$= (5/4 b - b + 1/8 b) \cdot Fb \cdot 1/EJ + 1 \cdot 0 \cdot 1/4 \cdot Fb^2/EJ = 3/8 \cdot Fb^2/EJ$$

$$L_{AD}^{xo} = \int_0^{2b} (1/4 x/b) \cdot Fb \cdot 1/EJ \, dx = \left[1/8 x^2/b \right]_0^{2b} \cdot Fb \cdot 1/EJ$$

$$= (1/2 b) \cdot Fb \cdot 1/EJ = 1/2 \cdot Fb^2/EJ$$

$$L_{DA}^{xo} = \int_0^{2b} (1/2 - 1/4 x/b) \cdot Fb \cdot 1/EJ \, dx = \left[1/2 x - 1/8 x^2/b \right]_0^{2b} \cdot Fb \cdot 1/EJ$$

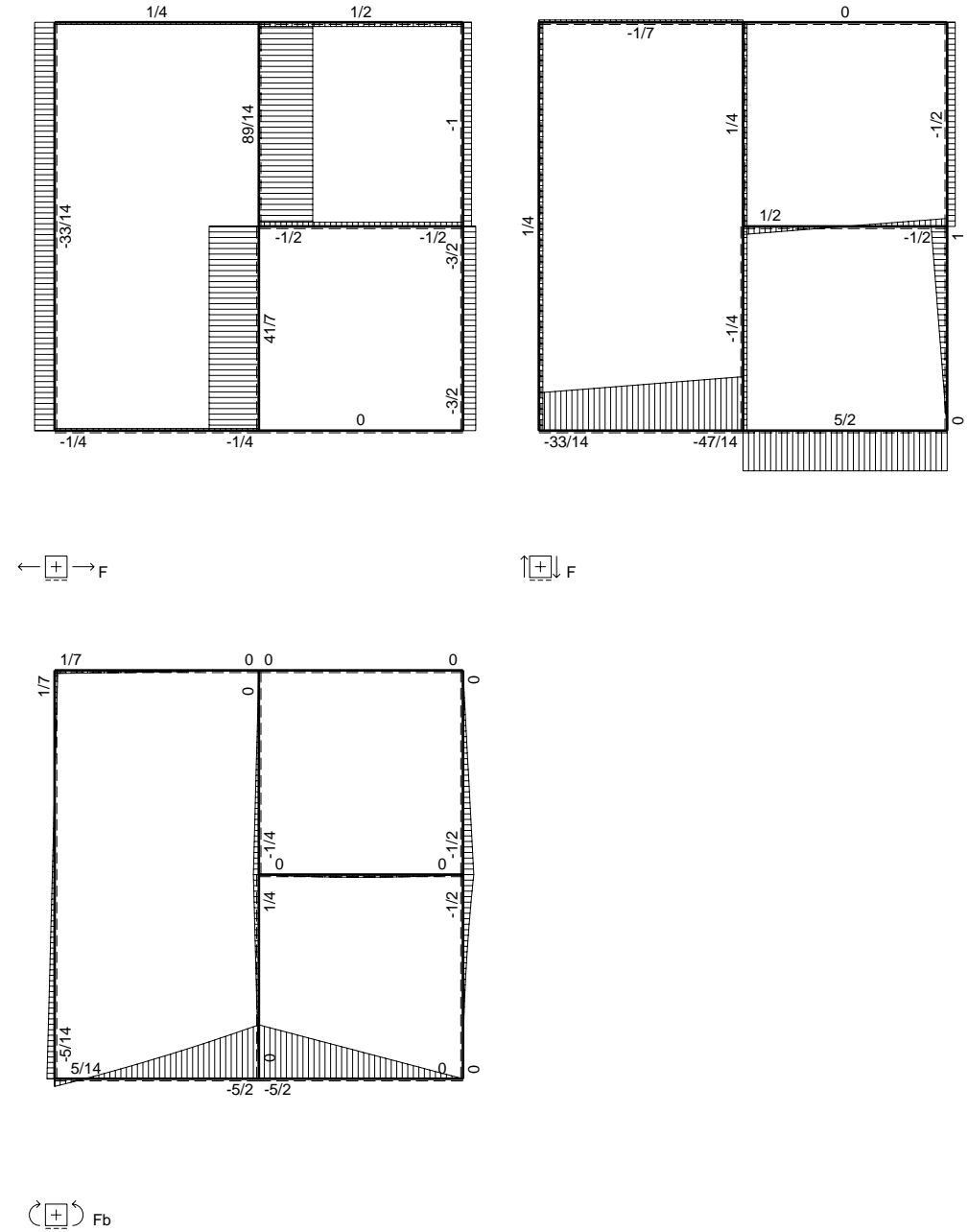
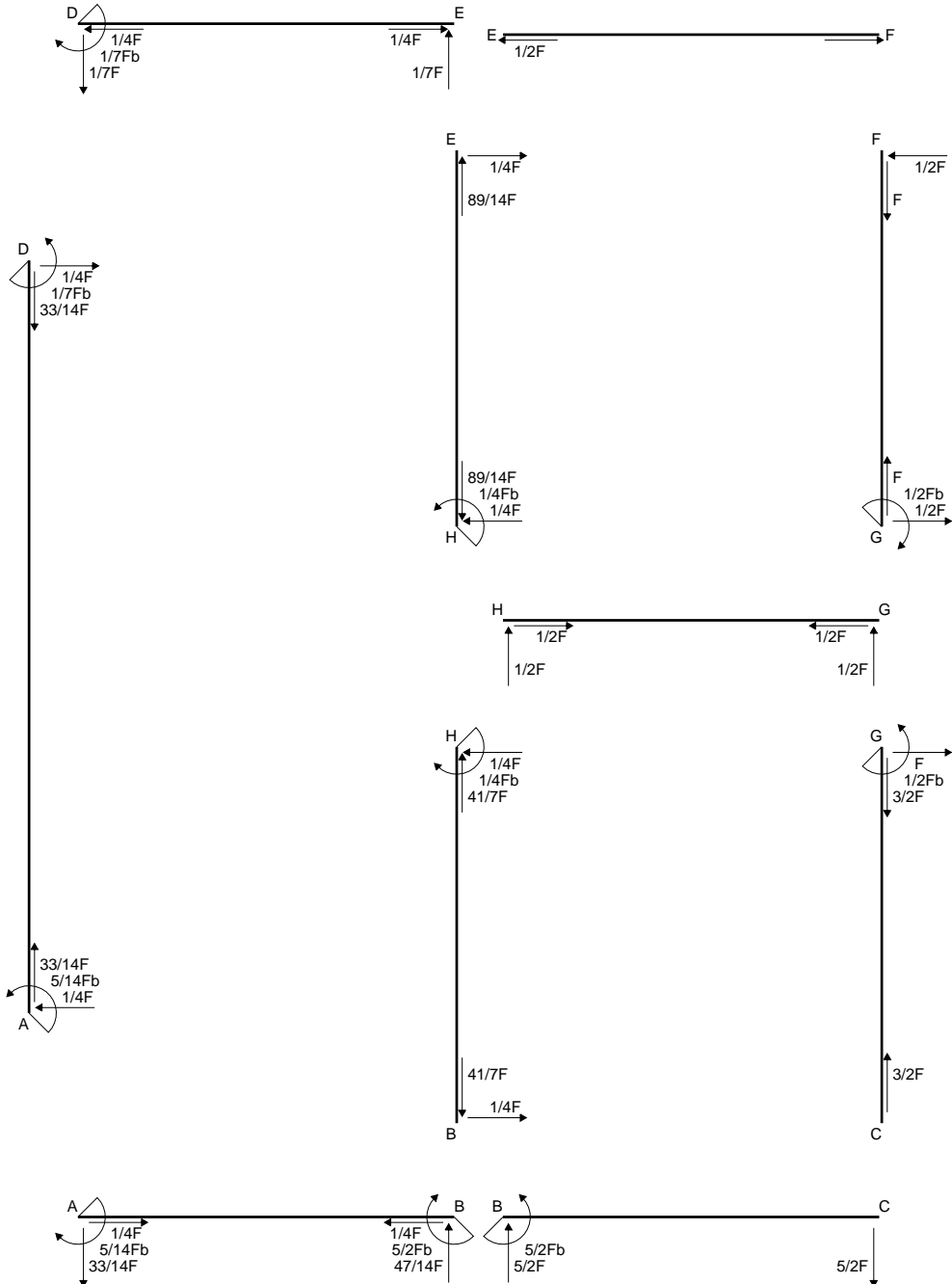
$$= (b - 1/2 b) \cdot Fb \cdot 1/EJ = 1/2 \cdot Fb^2/EJ$$

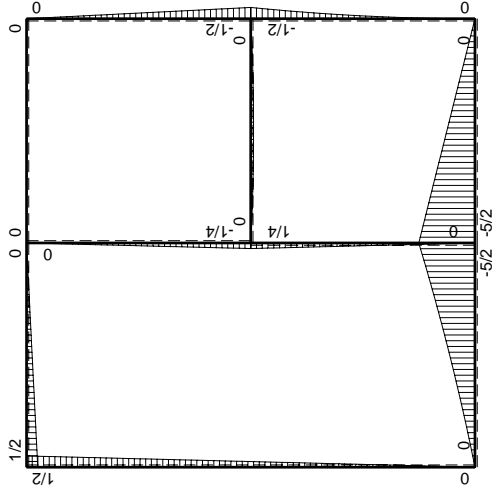
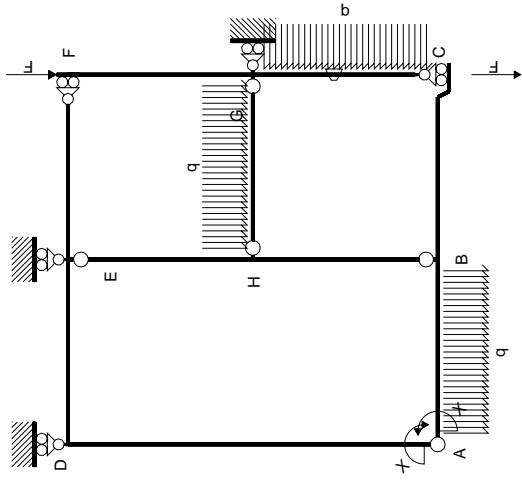
$$L_{DE}^{xo} = \int_0^b (1/2 - x/b + 1/2 x^2/b^2) \cdot Fb \cdot 1/EJ \, dx = \left[1/2 x - 1/2 x^2/b + 1/6 x^3/b^2 \right]_0^b \cdot Fb \cdot 1/EJ$$

$$= (1/2 b - 1/2 b + 1/6 b) \cdot Fb \cdot 1/EJ = 1/6 \cdot Fb^2/EJ$$

$$L_{ED}^{xo} = \int_0^b (1/2 x^2/b^2) \cdot Fb \cdot 1/EJ \, dx = \left[1/6 x^3/b^2 \right]_0^b \cdot Fb \cdot 1/EJ$$

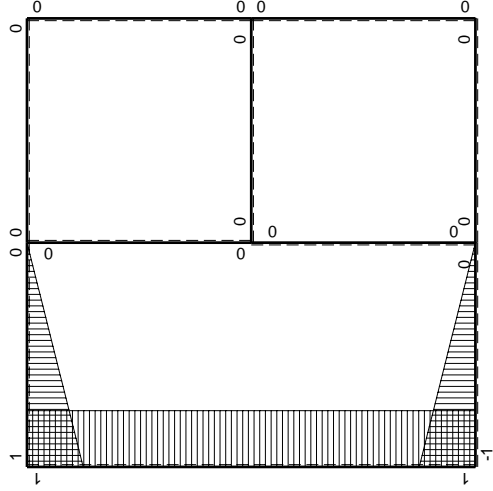
$$= (1/6 b) \cdot Fb \cdot 1/EJ = 1/6 \cdot Fb^2/EJ$$





Schema di calcolo iperstatico

M_0 flessione da carichi assegnati



M_x flessione da iperstatica X=1

Quadro contributi PLV per iperstatica $X=W_{AB}$

→	$M_x(x)$	$M_o(x)$	θ	$M_x M_o$	$M_x \theta$	$M_x M_x$	$\int M_x(M_o/EJ+\theta)dx$	$\int X M_x M_x/EJ dx$	
AB b	$-1+x/b$	$-2Fx-1/2qx^2$	0	$2Fx-3/2Fx^2/b-1/2qx^3/b$	0	$1-2x/b+x^2/b^2$	$(3/8+0)Fb^2/EJ$	$1/3Xb/EJ$	
BA b	x/b	$5/2Fb-3Fx+1/2qx^2$	0	$5/2Fx-3Fx^2/b+1/2qx^3/b$	0	x^2/b^2			
BC b	0	$-5/2Fb+5/2Fx$	0	0	0	0	0+0	0	
CB b	0	$5/2Fx$	0	0	0	0			
AD 2b	1	$1/4Fx$	0	$1/4Fx$	0	1	$(1/2+0)Fb^2/EJ$	$2Xb/EJ$	
DA 2b	-1	$-1/2Fb+1/4Fx$	0	$1/2Fb-1/4Fx$	0	1			
DE b	$1-x/b$	$1/2Fb-1/2Fx$	0	$1/2Fb-Fx+1/2Fx^2/b$	0	$1-2x/b+x^2/b^2$	$(1/6+0)Fb^2/EJ$	$1/3Xb/EJ$	
ED b	$-x/b$	$-1/2Fx$	0	$1/2Fx^2/b$	0	x^2/b^2			
EF b	0	0	0	0	0	0	0+0	0	
FE b	0	0	0	0	0	0			
FG b	0	$-1/2Fx$	0	0	0	0	0+0	0	
GF b	0	$1/2Fb-1/2Fx$	0	0	0	0			
GC b	0	$-1/2Fb+Fx-1/2qx^2$	$-Fb/EJ$	0	0	0	0+0	0	
CG b	0	$1/2qx^2$	Fb/EJ	0	0	0			
HG b	0	$1/2Fx-1/2qx^2$	0	0	0	0	0+0	0	
GH b	0	$-1/2Fx+1/2qx^2$	0	0	0	0			
HB b	0	$1/4Fb-1/4Fx$	0	0	0	0	0+0	0	
BH b	0	$-1/4Fx$	0	0	0	0			
HE b	0	$-1/4Fb+1/4Fx$	0	0	0	0	0+0	0	
EH b	0	$1/4Fx$	0	0	0	0			
AB	molla asta $-W_{1AB}(W_{0AB}+XW_{1AB})/k_{AB}$								$1/4Xb/EJ$
	totali							$25/24Fb^2/EJ$	$35/12Xb/EJ$
	iperstatica $X=W_{AB}$							$-5/14Fb$	

Sviluppi di calcolo iperstatica

$$L_{AB}^{xx} = \int_0^b (1 - 2x/b + x^2/b^2) \cdot 1/EJ \, dx + 1 \cdot 1/4 \cdot b/EJ = \left[x - x^2/b + 1/3 x^3/b^2 \right]_0^b \cdot 1/EJ + 1 \cdot 1/4 \cdot b/EJ$$

$$= (b - b + 1/3 b) \cdot 1/EJ + 1 \cdot 1/4 \cdot b/EJ = 7/12 \cdot b/EJ$$

$$L_{BA}^{xx} = \int_0^b (x^2/b^2) \cdot 1/EJ \, dx + 1 \cdot 1/4 \cdot b/EJ = \left[1/3 x^3/b^2 \right]_0^b \cdot 1/EJ + 1 \cdot 1/4 \cdot b/EJ$$

$$= (1/3 b) \cdot 1/EJ + 1 \cdot 1/4 \cdot b/EJ = 7/12 \cdot b/EJ$$

$$L_{AD}^{xx} = \int_0^{2b} (1) \cdot 1/EJ \, dx = \left[x \right]_0^{2b} \cdot 1/EJ$$

$$= (2b) \cdot 1/EJ = 2 \cdot b/EJ$$

$$L_{DA}^{xx} = \int_0^{2b} (1) \cdot 1/EJ \, dx = \left[x \right]_0^{2b} \cdot 1/EJ$$

$$= (2b) \cdot 1/EJ = 2 \cdot b/EJ$$

$$L_{DE}^{xx} = \int_0^b (1 - 2x/b + x^2/b^2) \cdot 1/EJ \, dx = \left[x - x^2/b + 1/3 x^3/b^2 \right]_0^b \cdot 1/EJ$$

$$= (b - b + 1/3 b) \cdot 1/EJ = 1/3 \cdot b/EJ$$

$$L_{ED}^{xx} = \int_0^b (x^2/b^2) \cdot 1/EJ \, dx = \left[1/3 x^3/b^2 \right]_0^b \cdot 1/EJ$$

$$= (1/3 b) \cdot 1/EJ = 1/3 \cdot b/EJ$$

$$L_{AB}^{xo} = \int_0^b (2x/b - 3/2 x^2/b^2 - 1/2 x^3/b^3) \cdot Fb \cdot 1/EJ \, dx + 1 \cdot 0 \cdot 1/4 \cdot Fb^2/EJ$$

$$= \left[x^2/b - 1/2 x^3/b^2 - 1/8 x^4/b^3 \right]_0^b \cdot Fb \cdot 1/EJ + 1 \cdot 0 \cdot 1/4 \cdot Fb^2/EJ$$

$$= (b - 1/2 b - 1/8 b) \cdot Fb \cdot 1/EJ + 1 \cdot 0 \cdot 1/4 \cdot Fb^2/EJ = 3/8 \cdot Fb^2/EJ$$

$$L_{BA}^{xo} = \int_0^b (5/2 x/b - 3x^2/b^2 + 1/2 x^3/b^3) \cdot Fb \cdot 1/EJ \, dx + 1 \cdot 0 \cdot 1/4 \cdot Fb^2/EJ$$

$$= \left[5/4 x^2/b - x^3/b^2 + 1/8 x^4/b^3 \right]_0^b \cdot Fb \cdot 1/EJ + 1 \cdot 0 \cdot 1/4 \cdot Fb^2/EJ$$

$$= (5/4 b - b + 1/8 b) \cdot Fb \cdot 1/EJ + 1 \cdot 0 \cdot 1/4 \cdot Fb^2/EJ = 3/8 \cdot Fb^2/EJ$$

$$L_{AD}^{xo} = \int_0^{2b} (1/4 x/b) \cdot Fb \cdot 1/EJ \, dx = \left[1/8 x^2/b \right]_0^{2b} \cdot Fb \cdot 1/EJ$$

$$= (1/2 b) \cdot Fb \cdot 1/EJ = 1/2 \cdot Fb^2/EJ$$

$$L_{DA}^{xo} = \int_0^{2b} (1/2 - 1/4 x/b) \cdot Fb \cdot 1/EJ \, dx = \left[1/2 x - 1/8 x^2/b \right]_0^{2b} \cdot Fb \cdot 1/EJ$$

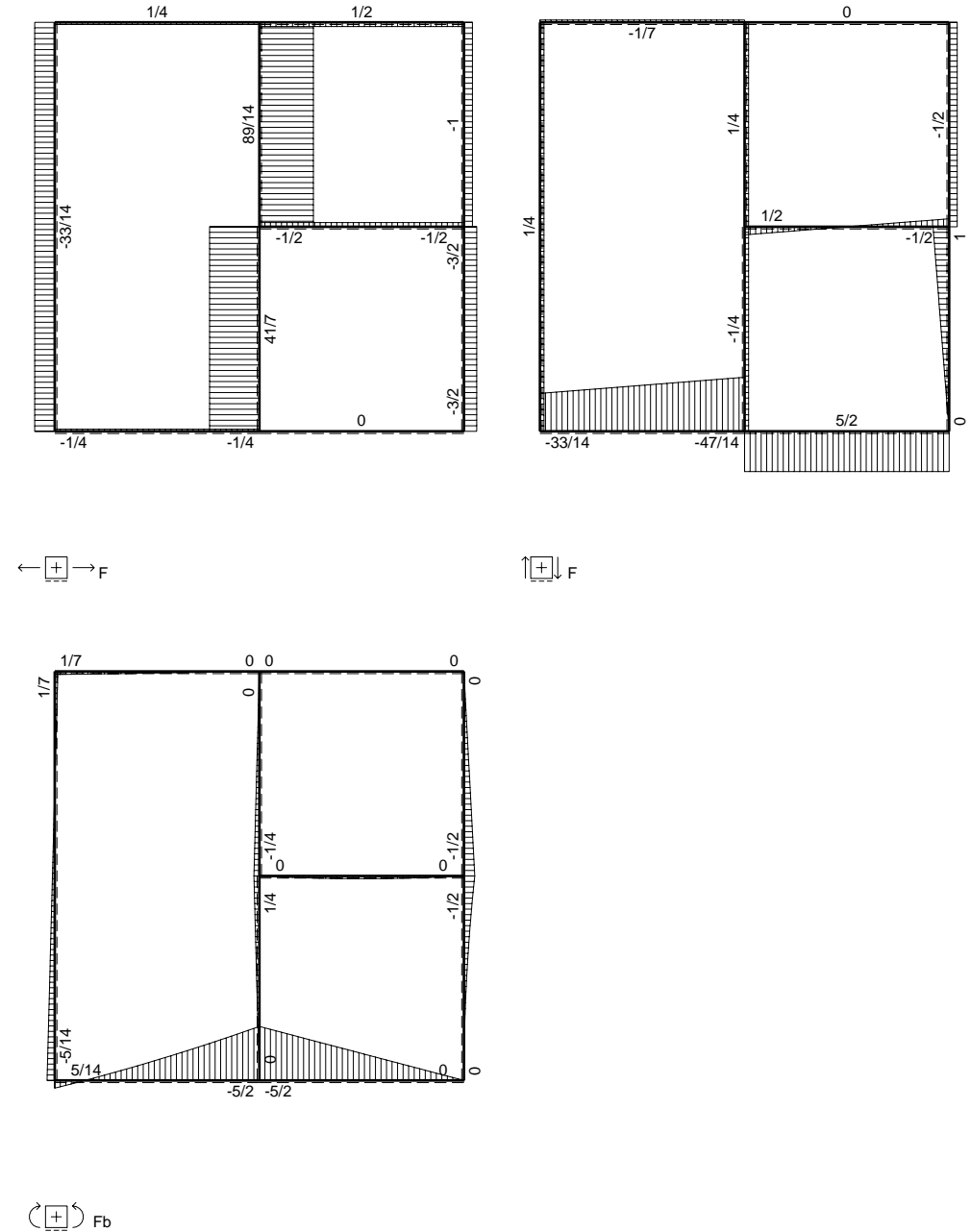
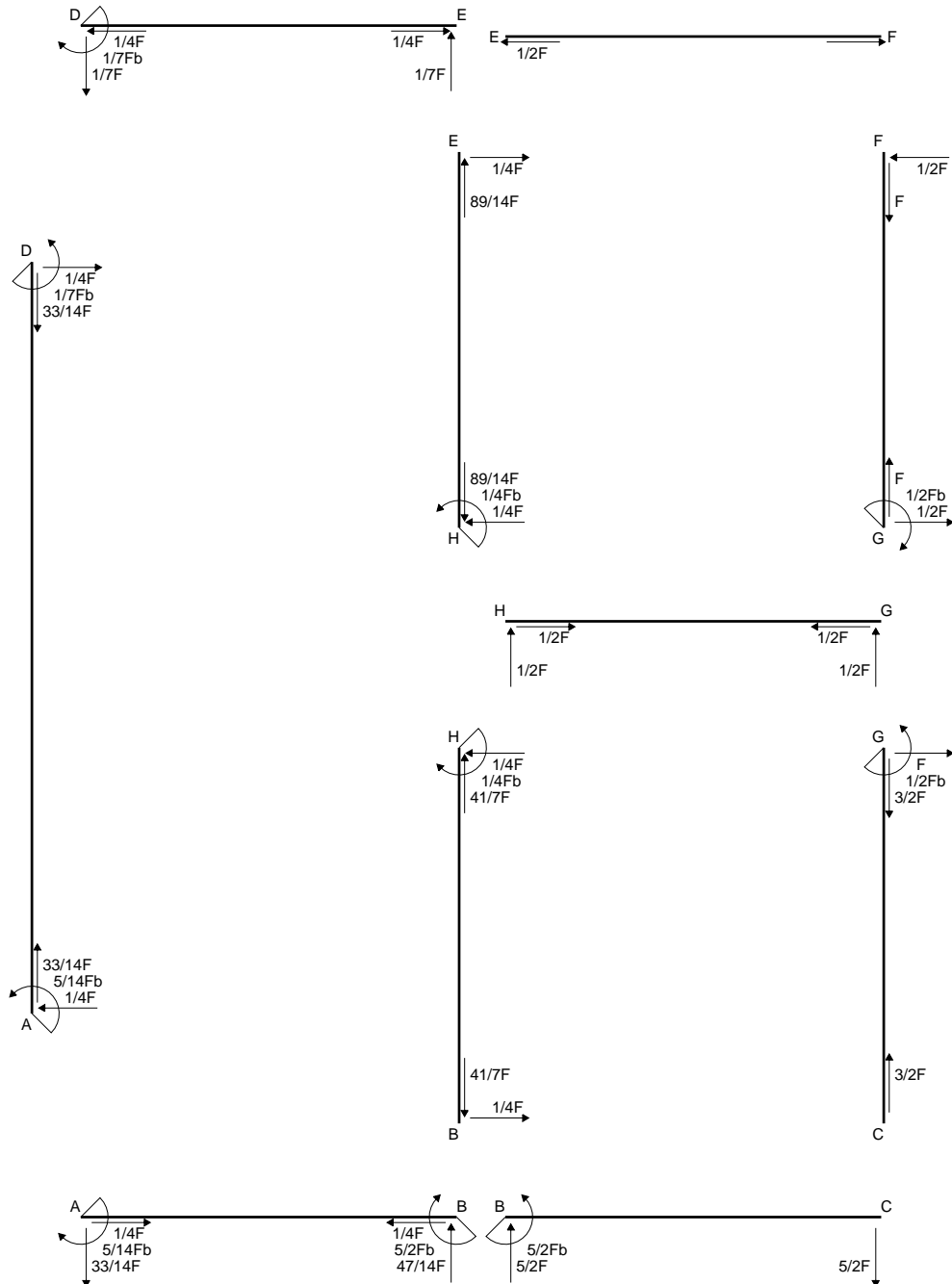
$$= (b - 1/2 b) \cdot Fb \cdot 1/EJ = 1/2 \cdot Fb^2/EJ$$

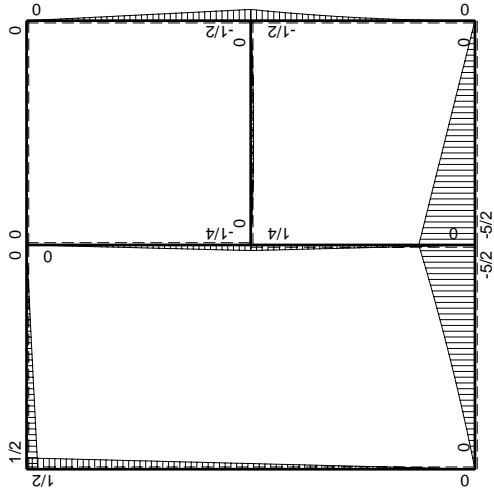
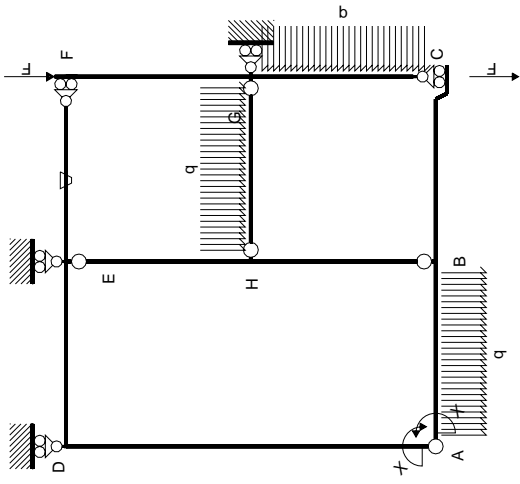
$$L_{DE}^{xo} = \int_0^b (1/2 - x/b + 1/2 x^2/b^2) \cdot Fb \cdot 1/EJ \, dx = \left[1/2 x - 1/2 x^2/b + 1/6 x^3/b^2 \right]_0^b \cdot Fb \cdot 1/EJ$$

$$= (1/2 b - 1/2 b + 1/6 b) \cdot Fb \cdot 1/EJ = 1/6 \cdot Fb^2/EJ$$

$$L_{ED}^{xo} = \int_0^b (1/2 x^2/b^2) \cdot Fb \cdot 1/EJ \, dx = \left[1/6 x^3/b^2 \right]_0^b \cdot Fb \cdot 1/EJ$$

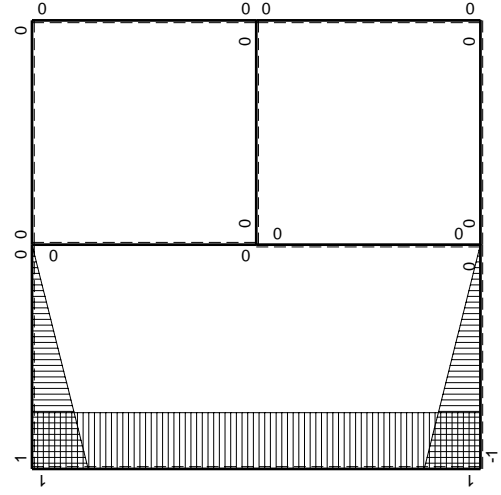
$$= (1/6 b) \cdot Fb \cdot 1/EJ = 1/6 \cdot Fb^2/EJ$$





Schema di calcolo iperstatico

M_0 flessione da carichi assegnati



M_x flessione da iperstatica $X=1$

Quadro contributi PLV per iperstatica $X=W_{AB}$

→	$M_x(x)$	$M_o(x)$	θ	$M_x M_o$	$M_x \theta$	$M_x M_x$	$\int M_x(M_o/EJ+\theta)dx$	$\int X M_x M_x/EJ dx$	
AB b	$-1+x/b$	$-2Fx-1/2qx^2$	0	$2Fx-3/2Fx^2/b-1/2qx^3/b$	0	$1-2x/b+x^2/b^2$	$(3/8+0)Fb^2/EJ$	$1/3Xb/EJ$	
BA b	x/b	$5/2Fb-3Fx+1/2qx^2$	0	$5/2Fx-3Fx^2/b+1/2qx^3/b$	0	x^2/b^2			
BC b	0	$-5/2Fb+5/2Fx$	0	0	0	0	0+0	0	
CB b	0	$5/2Fx$	0	0	0	0			
AD 2b	1	$1/4Fx$	0	$1/4Fx$	0	1	$(1/2+0)Fb^2/EJ$	$2Xb/EJ$	
DA 2b	-1	$-1/2Fb+1/4Fx$	0	$1/2Fb-1/4Fx$	0	1			
DE b	$1-x/b$	$1/2Fb-1/2Fx$	0	$1/2Fb-Fx+1/2Fx^2/b$	0	$1-2x/b+x^2/b^2$	$(1/6+0)Fb^2/EJ$	$1/3Xb/EJ$	
ED b	$-x/b$	$-1/2Fx$	0	$1/2Fx^2/b$	0	x^2/b^2			
EF b	0	0	$-Fb/EJ$	0	0	0	0+0	0	
FE b	0	0	Fb/EJ	0	0	0			
FG b	0	$-1/2Fx$	0	0	0	0	0+0	0	
GF b	0	$1/2Fb-1/2Fx$	0	0	0	0			
GC b	0	$-1/2Fb+Fx-1/2qx^2$	0	0	0	0	0+0	0	
CG b	0	$1/2qx^2$	0	0	0	0			
HG b	0	$1/2Fx-1/2qx^2$	0	0	0	0	0+0	0	
GH b	0	$-1/2Fx+1/2qx^2$	0	0	0	0			
HB b	0	$1/4Fb-1/4Fx$	0	0	0	0	0+0	0	
BH b	0	$-1/4Fx$	0	0	0	0			
HE b	0	$-1/4Fb+1/4Fx$	0	0	0	0	0+0	0	
EH b	0	$1/4Fx$	0	0	0	0			
AB	molla asta $-W_{1AB}(W_{0AB}+XW_{1AB})/k_{AB}$								$1/4Xb/EJ$
	totali							$25/24Fb^2/EJ$	$35/12Xb/EJ$
	iperstatica $X=W_{AB}$							$-5/14Fb$	

Sviluppi di calcolo iperstatica

$$L_{AB}^{xx} = \int_0^b (1 - 2x/b + x^2/b^2) \cdot 1/EJ \, dx + 1 \cdot 1/4 \cdot b/EJ = \left[x - x^2/b + 1/3 x^3/b^2 \right]_0^b \cdot 1/EJ + 1 \cdot 1/4 \cdot b/EJ$$

$$= (b - b + 1/3 b) \cdot 1/EJ + 1 \cdot 1/4 \cdot b/EJ = 7/12 \cdot b/EJ$$

$$L_{BA}^{xx} = \int_0^b (x^2/b^2) \cdot 1/EJ \, dx + 1 \cdot 1/4 \cdot b/EJ = \left[1/3 x^3/b^2 \right]_0^b \cdot 1/EJ + 1 \cdot 1/4 \cdot b/EJ$$

$$= (1/3 b) \cdot 1/EJ + 1 \cdot 1/4 \cdot b/EJ = 7/12 \cdot b/EJ$$

$$L_{AD}^{xx} = \int_0^{2b} (1) \cdot 1/EJ \, dx = \left[x \right]_0^{2b} \cdot 1/EJ$$

$$= (2b) \cdot 1/EJ = 2 \cdot b/EJ$$

$$L_{DA}^{xx} = \int_0^{2b} (1) \cdot 1/EJ \, dx = \left[x \right]_0^{2b} \cdot 1/EJ$$

$$= (2b) \cdot 1/EJ = 2 \cdot b/EJ$$

$$L_{DE}^{xx} = \int_0^b (1 - 2x/b + x^2/b^2) \cdot 1/EJ \, dx = \left[x - x^2/b + 1/3 x^3/b^2 \right]_0^b \cdot 1/EJ$$

$$= (b - b + 1/3 b) \cdot 1/EJ = 1/3 \cdot b/EJ$$

$$L_{ED}^{xx} = \int_0^b (x^2/b^2) \cdot 1/EJ \, dx = \left[1/3 x^3/b^2 \right]_0^b \cdot 1/EJ$$

$$= (1/3 b) \cdot 1/EJ = 1/3 \cdot b/EJ$$

$$L_{AB}^{xo} = \int_0^b (2x/b - 3/2 x^2/b^2 - 1/2 x^3/b^3) \cdot Fb \cdot 1/EJ \, dx + 1 \cdot 0 \cdot 1/4 \cdot Fb^2/EJ$$

$$= \left[x^2/b - 1/2 x^3/b^2 - 1/8 x^4/b^3 \right]_0^b \cdot Fb \cdot 1/EJ + 1 \cdot 0 \cdot 1/4 \cdot Fb^2/EJ$$

$$= (b - 1/2 b - 1/8 b) \cdot Fb \cdot 1/EJ + 1 \cdot 0 \cdot 1/4 \cdot Fb^2/EJ = 3/8 \cdot Fb^2/EJ$$

$$L_{BA}^{xo} = \int_0^b (5/2 x/b - 3 x^2/b^2 + 1/2 x^3/b^3) \cdot Fb \cdot 1/EJ \, dx + 1 \cdot 0 \cdot 1/4 \cdot Fb^2/EJ$$

$$= \left[5/4 x^2/b - x^3/b^2 + 1/8 x^4/b^3 \right]_0^b \cdot Fb \cdot 1/EJ + 1 \cdot 0 \cdot 1/4 \cdot Fb^2/EJ$$

$$= (5/4 b - b + 1/8 b) \cdot Fb \cdot 1/EJ + 1 \cdot 0 \cdot 1/4 \cdot Fb^2/EJ = 3/8 \cdot Fb^2/EJ$$

$$L_{AD}^{xo} = \int_0^{2b} (1/4 x/b) \cdot Fb \cdot 1/EJ \, dx = \left[1/8 x^2/b \right]_0^{2b} \cdot Fb \cdot 1/EJ$$

$$= (1/2 b) \cdot Fb \cdot 1/EJ = 1/2 \cdot Fb^2/EJ$$

$$L_{DA}^{xo} = \int_0^{2b} (1/2 - 1/4 x/b) \cdot Fb \cdot 1/EJ \, dx = \left[1/2 x - 1/8 x^2/b \right]_0^{2b} \cdot Fb \cdot 1/EJ$$

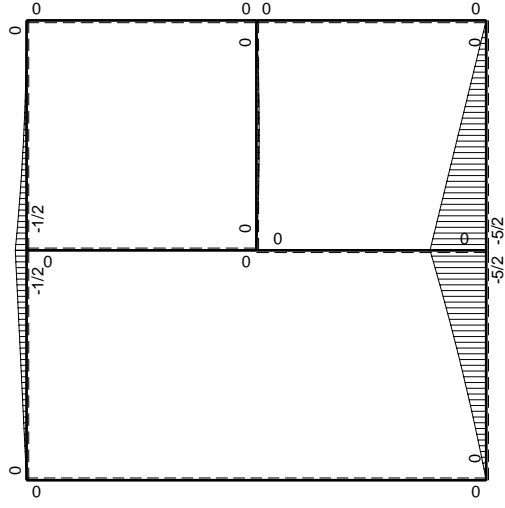
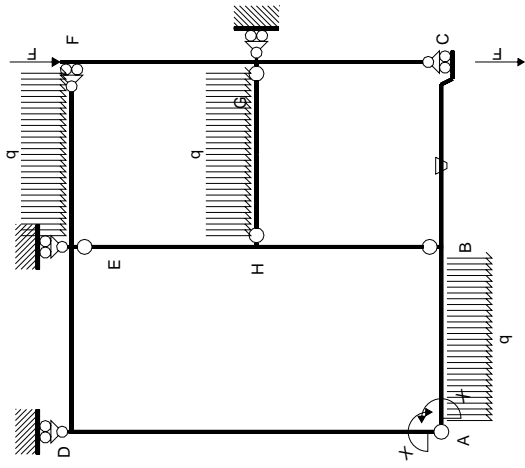
$$= (b - 1/2 b) \cdot Fb \cdot 1/EJ = 1/2 \cdot Fb^2/EJ$$

$$L_{DE}^{xo} = \int_0^b (1/2 - x/b + 1/2 x^2/b^2) \cdot Fb \cdot 1/EJ \, dx = \left[1/2 x - 1/2 x^2/b + 1/6 x^3/b^2 \right]_0^b \cdot Fb \cdot 1/EJ$$

$$= (1/2 b - 1/2 b + 1/6 b) \cdot Fb \cdot 1/EJ = 1/6 \cdot Fb^2/EJ$$

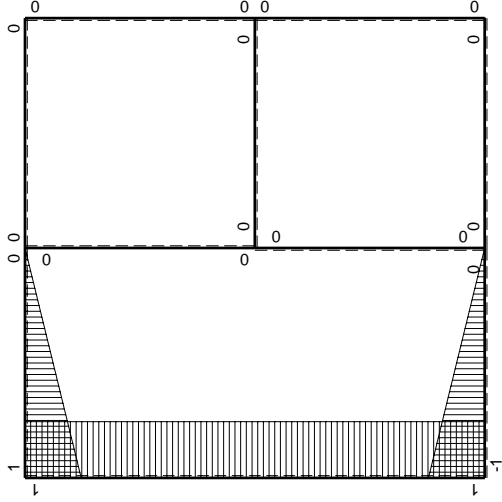
$$L_{ED}^{xo} = \int_0^b (1/2 x^2/b^2) \cdot Fb \cdot 1/EJ \, dx = \left[1/6 x^3/b^2 \right]_0^b \cdot Fb \cdot 1/EJ$$

$$= (1/6 b) \cdot Fb \cdot 1/EJ = 1/6 \cdot Fb^2/EJ$$



Schema di calcolo iperstatico

M_0 flessione da carichi assegnati



M_x flessione da iperstatica $X=1$

Quadro contributi PLV per iperstatica $X=W_{AB}$

→	$M_x(x)$	$M_o(x)$	θ	$M_x M_o$	$M_x \theta$	$M_x M_x$	$\int M_x(M_o/EJ+\theta)dx$	$\int X M_x M_x / EJ dx$	
AB b	$-1+x/b$	$-2Fx-1/2qx^2$	0	$2Fx-3/2Fx^2/b-1/2qx^3/b$	0	$1-2x/b+x^2/b^2$	$(3/8+0)Fb^2/EJ$	$1/3Xb/EJ$	
BA b	x/b	$5/2Fb-3Fx+1/2qx^2$	0	$5/2Fx-3Fx^2/b+1/2qx^3/b$	0	x^2/b^2			
BC b	0	$-5/2Fb+5/2Fx$	$-Fb/EJ$	0	0	0	0+0	0	
CB b	0	$5/2Fx$	Fb/EJ	0	0	0			
AD 2b	1	0	0	0	0	1	0+0	$2Xb/EJ$	
DA 2b	-1	0	0	0	0	1			
DE b	$1-x/b$	$-1/2Fx$	0	$-1/2Fx+1/2Fx^2/b$	0	$1-2x/b+x^2/b^2$	$(-1/12+0)Fb^2/EJ$	$1/3Xb/EJ$	
ED b	$-x/b$	$1/2Fb-1/2Fx$	0	$-1/2Fx+1/2Fx^2/b$	0	x^2/b^2			
EF b	0	$-1/2Fb+Fx-1/2qx^2$	0	0	0	0	0+0	0	
FE b	0	$1/2qx^2$	0	0	0	0			
FG b	0	0	0	0	0	0	0+0	0	
GF b	0	0	0	0	0	0			
GC b	0	0	0	0	0	0	0+0	0	
CG b	0	0	0	0	0	0			
HG b	0	$1/2Fx-1/2qx^2$	0	0	0	0	0+0	0	
GH b	0	$-1/2Fx+1/2qx^2$	0	0	0	0			
HB b	0	0	0	0	0	0	0+0	0	
BH b	0	0	0	0	0	0			
HE b	0	0	0	0	0	0	0+0	0	
EH b	0	0	0	0	0	0			
AB	molla asta $-W_{1AB} (W_{0AB} + XW_{1AB}) / k_{AB}$								$1/4Xb/EJ$
	totali							$7/24Fb^2/EJ$	$35/12Xb/EJ$
	iperstatica $X=W_{AB}$							$-1/10Fb$	

Sviluppi di calcolo iperstatica

$$L_{AB}^{xx} = \int_0^b (1 - 2x/b + x^2/b^2) \cdot 1/EJ \, dx + 1 \cdot 1/4 \cdot b/EJ = \left[x - x^2/b + 1/3 x^3/b^2 \right]_0^b \cdot 1/EJ + 1 \cdot 1/4 \cdot b/EJ$$

$$= (b - b + 1/3 b) \cdot 1/EJ + 1 \cdot 1/4 \cdot b/EJ = 7/12 \cdot b/EJ$$

$$L_{BA}^{xx} = \int_0^b (x^2/b^2) \cdot 1/EJ \, dx + 1 \cdot 1/4 \cdot b/EJ = \left[1/3 x^3/b^2 \right]_0^b \cdot 1/EJ + 1 \cdot 1/4 \cdot b/EJ$$

$$= (1/3 b) \cdot 1/EJ + 1 \cdot 1/4 \cdot b/EJ = 7/12 \cdot b/EJ$$

$$L_{AD}^{xx} = \int_0^{2b} (1) \cdot 1/EJ \, dx = \left[x \right]_0^{2b} \cdot 1/EJ$$

$$= (2b) \cdot 1/EJ = 2 \cdot b/EJ$$

$$L_{DA}^{xx} = \int_0^{2b} (1) \cdot 1/EJ \, dx = \left[x \right]_0^{2b} \cdot 1/EJ$$

$$= (2b) \cdot 1/EJ = 2 \cdot b/EJ$$

$$L_{DE}^{xx} = \int_0^b (1 - 2x/b + x^2/b^2) \cdot 1/EJ \, dx = \left[x - x^2/b + 1/3 x^3/b^2 \right]_0^b \cdot 1/EJ$$

$$= (b - b + 1/3 b) \cdot 1/EJ = 1/3 \cdot b/EJ$$

$$L_{ED}^{xx} = \int_0^b (x^2/b^2) \cdot 1/EJ \, dx = \left[1/3 x^3/b^2 \right]_0^b \cdot 1/EJ$$

$$= (1/3 b) \cdot 1/EJ = 1/3 \cdot b/EJ$$

$$L_{AB}^{xo} = \int_0^b (2x/b - 3/2 x^2/b^2 - 1/2 x^3/b^3) \cdot Fb \cdot 1/EJ \, dx + 1 \cdot 0 \cdot 1/4 \cdot Fb^2/EJ$$

$$= \left[x^2/b - 1/2 x^3/b^2 - 1/8 x^4/b^3 \right]_0^b \cdot Fb \cdot 1/EJ + 1 \cdot 0 \cdot 1/4 \cdot Fb^2/EJ$$

$$= (b - 1/2 b - 1/8 b) \cdot Fb \cdot 1/EJ + 1 \cdot 0 \cdot 1/4 \cdot Fb^2/EJ = 3/8 \cdot Fb^2/EJ$$

$$L_{BA}^{xo} = \int_0^b (5/2 x/b - 3 x^2/b^2 + 1/2 x^3/b^3) \cdot Fb \cdot 1/EJ \, dx + 1 \cdot 0 \cdot 1/4 \cdot Fb^2/EJ$$

$$= \left[5/4 x^2/b - x^3/b^2 + 1/8 x^4/b^3 \right]_0^b \cdot Fb \cdot 1/EJ + 1 \cdot 0 \cdot 1/4 \cdot Fb^2/EJ$$

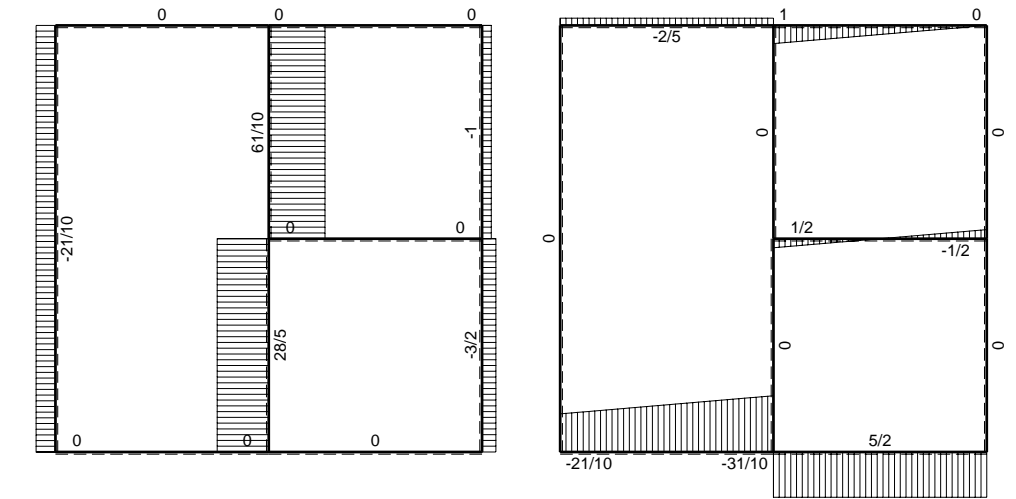
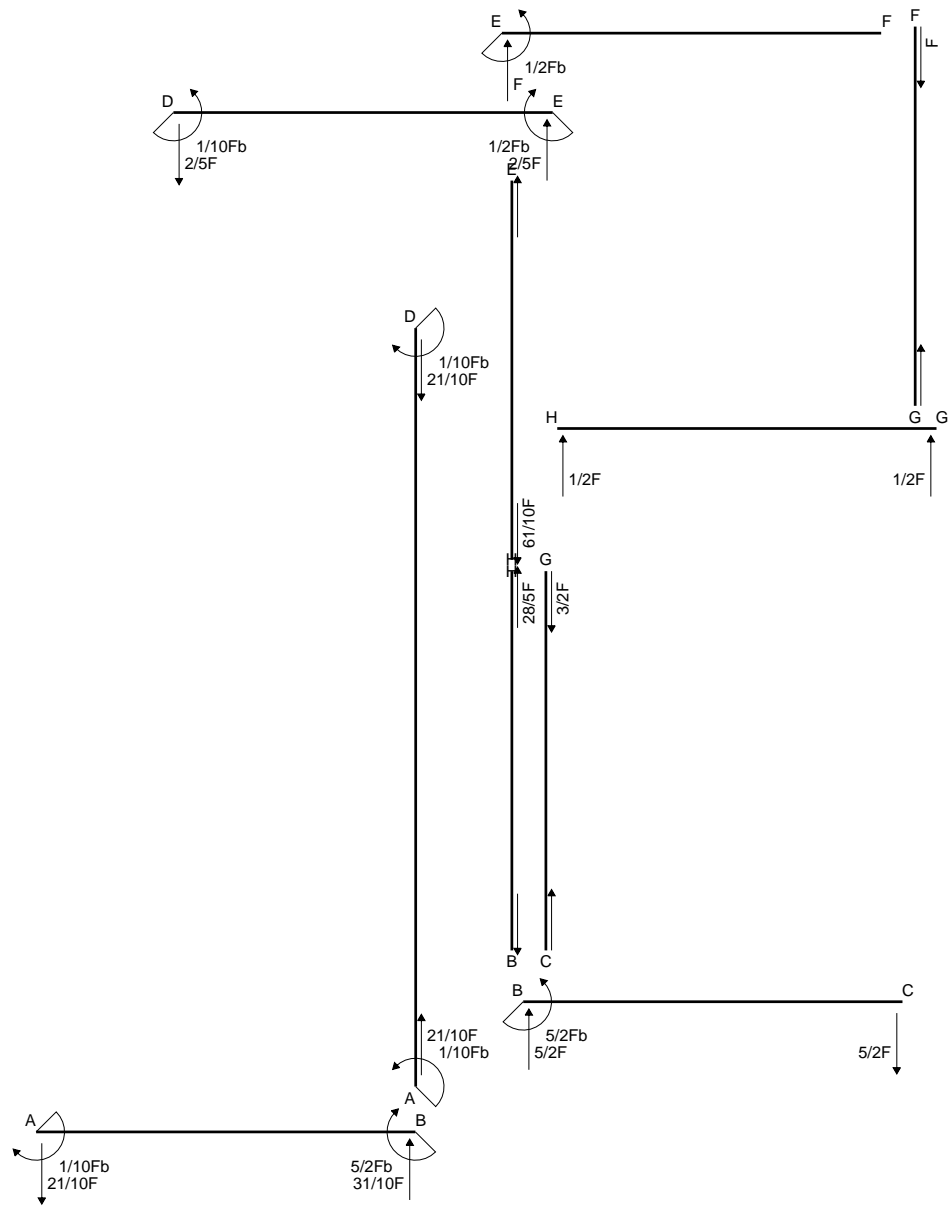
$$= (5/4 b - b + 1/8 b) \cdot Fb \cdot 1/EJ + 1 \cdot 0 \cdot 1/4 \cdot Fb^2/EJ = 3/8 \cdot Fb^2/EJ$$

$$L_{DE}^{xo} = \int_0^b (-1/2 x/b + 1/2 x^2/b^2) \cdot Fb \cdot 1/EJ \, dx = \left[-1/4 x^2/b + 1/6 x^3/b^2 \right]_0^b \cdot Fb \cdot 1/EJ$$

$$= (-1/4 b + 1/6 b) \cdot Fb \cdot 1/EJ = -1/12 \cdot Fb^2/EJ$$

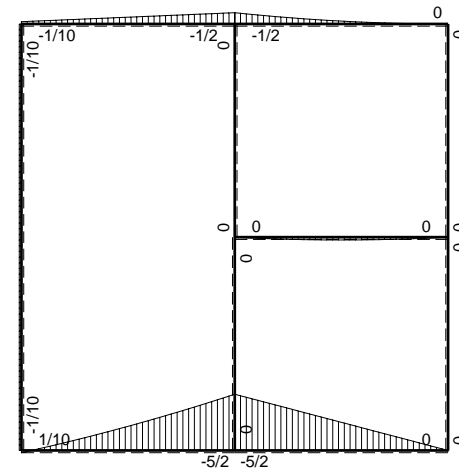
$$L_{ED}^{xo} = \int_0^b (-1/2 x/b + 1/2 x^2/b^2) \cdot Fb \cdot 1/EJ \, dx = \left[-1/4 x^2/b + 1/6 x^3/b^2 \right]_0^b \cdot Fb \cdot 1/EJ$$

$$= (-1/4 b + 1/6 b) \cdot Fb \cdot 1/EJ = -1/12 \cdot Fb^2/EJ$$

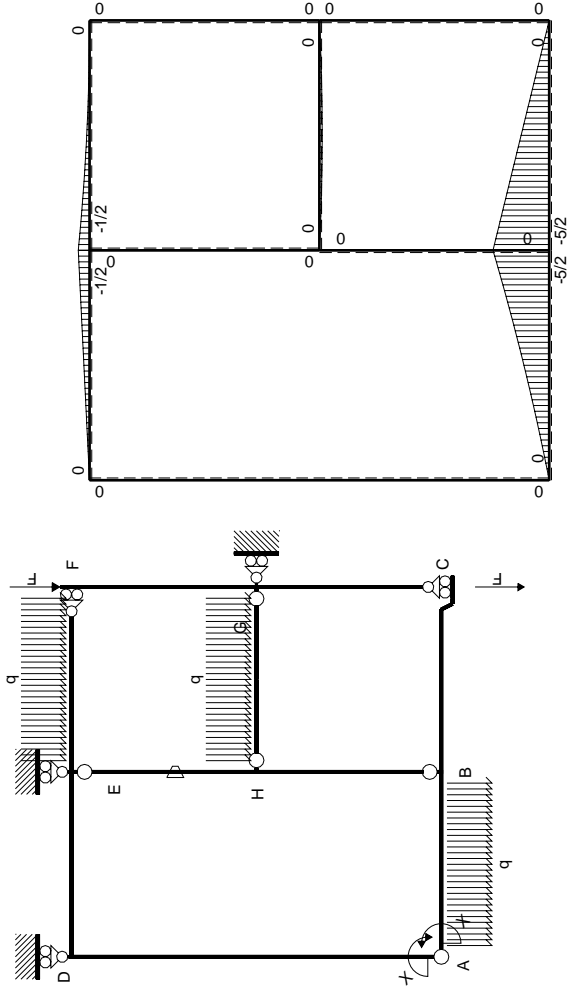


← ⊕ → F

↑ ⊕ ↓ F

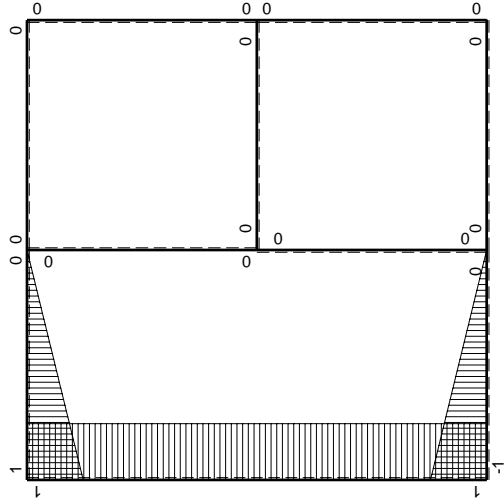


⊕ ⊖ F_b



Schema di calcolo iperstatico

M_0 flessione da carichi assegnati



M_x flessione da iperstatica $X=1$

Quadro contributi PLV per iperstatica $X=W_{AB}$

→	$M_x(x)$	$M_o(x)$	θ	$M_x M_o$	$M_x \theta$	$M_x M_x$	$\int M_x(M_o/EJ+\theta)dx$	$\int X M_x M_x / EJ dx$
AB b	$-1+x/b$	$-2Fx-1/2qx^2$	0	$2Fx-3/2Fx^2/b-1/2qx^3/b$	0	$1-2x/b+x^2/b^2$	$(3/8+0)Fb^2/EJ$	$1/3Xb/EJ$
BA b	x/b	$5/2Fb-3Fx+1/2qx^2$	0	$5/2Fx-3Fx^2/b+1/2qx^3/b$	0	x^2/b^2		
BC b	0	$-5/2Fb+5/2Fx$	0	0	0	0	0+0	0
CB b	0	$5/2Fx$	0	0	0	0		
AD 2b	1	0	0	0	0	1	0+0	$2Xb/EJ$
DA 2b	-1	0	0	0	0	1		
DE b	$1-x/b$	$-1/2Fx$	0	$-1/2Fx+1/2Fx^2/b$	0	$1-2x/b+x^2/b^2$	$(-1/12+0)Fb^2/EJ$	$1/3Xb/EJ$
ED b	$-x/b$	$1/2Fb-1/2Fx$	0	$-1/2Fx+1/2Fx^2/b$	0	x^2/b^2		
EF b	0	$-1/2Fb+Fx-1/2qx^2$	0	0	0	0	0+0	0
FE b	0	$1/2qx^2$	0	0	0	0		
FG b	0	0	0	0	0	0	0+0	0
GF b	0	0	0	0	0	0		
GC b	0	0	0	0	0	0	0+0	0
CG b	0	0	0	0	0	0		
HG b	0	$1/2Fx-1/2qx^2$	0	0	0	0	0+0	0
GH b	0	$-1/2Fx+1/2qx^2$	0	0	0	0		
HB b	0	0	0	0	0	0	0+0	0
BH b	0	0	0	0	0	0		
HE b	0	0	$-Fb/EJ$	0	0	0	0+0	0
EH b	0	0	Fb/EJ	0	0	0		
AB	molla asta $-W_{1AB}(W_{0AB}+XW_{1AB})/k_{AB}$							$1/4Xb/EJ$
	totali						$7/24Fb^2/EJ$	$35/12Xb/EJ$
	iperstatica $X=W_{AB}$						$-1/10Fb$	

Sviluppi di calcolo iperstatica

$$L_{AB}^{xx} = \int_0^b (1 - 2x/b + x^2/b^2) \cdot 1/EJ \, dx + 1 \cdot 1/4 \cdot b/EJ = \left[x - x^2/b + 1/3 x^3/b^2 \right]_0^b \cdot 1/EJ + 1 \cdot 1/4 \cdot b/EJ$$

$$= (b - b + 1/3 b) \cdot 1/EJ + 1 \cdot 1/4 \cdot b/EJ = 7/12 \cdot b/EJ$$

$$L_{BA}^{xx} = \int_0^b (x^2/b^2) \cdot 1/EJ \, dx + 1 \cdot 1/4 \cdot b/EJ = \left[1/3 x^3/b^2 \right]_0^b \cdot 1/EJ + 1 \cdot 1/4 \cdot b/EJ$$

$$= (1/3 b) \cdot 1/EJ + 1 \cdot 1/4 \cdot b/EJ = 7/12 \cdot b/EJ$$

$$L_{AD}^{xx} = \int_0^{2b} (1) \cdot 1/EJ \, dx = \left[x \right]_0^{2b} \cdot 1/EJ$$

$$= (2b) \cdot 1/EJ = 2 \cdot b/EJ$$

$$L_{DA}^{xx} = \int_0^{2b} (1) \cdot 1/EJ \, dx = \left[x \right]_0^{2b} \cdot 1/EJ$$

$$= (2b) \cdot 1/EJ = 2 \cdot b/EJ$$

$$L_{DE}^{xx} = \int_0^b (1 - 2x/b + x^2/b^2) \cdot 1/EJ \, dx = \left[x - x^2/b + 1/3 x^3/b^2 \right]_0^b \cdot 1/EJ$$

$$= (b - b + 1/3 b) \cdot 1/EJ = 1/3 \cdot b/EJ$$

$$L_{ED}^{xx} = \int_0^b (x^2/b^2) \cdot 1/EJ \, dx = \left[1/3 x^3/b^2 \right]_0^b \cdot 1/EJ$$

$$= (1/3 b) \cdot 1/EJ = 1/3 \cdot b/EJ$$

$$L_{AB}^{xo} = \int_0^b (2x/b - 3/2 x^2/b^2 - 1/2 x^3/b^3) \cdot Fb \cdot 1/EJ \, dx + 1 \cdot 0 \cdot 1/4 \cdot Fb^2/EJ$$

$$= \left[x^2/b - 1/2 x^3/b^2 - 1/8 x^4/b^3 \right]_0^b \cdot Fb \cdot 1/EJ + 1 \cdot 0 \cdot 1/4 \cdot Fb^2/EJ$$

$$= (b - 1/2 b - 1/8 b) \cdot Fb \cdot 1/EJ + 1 \cdot 0 \cdot 1/4 \cdot Fb^2/EJ = 3/8 \cdot Fb^2/EJ$$

$$L_{BA}^{xo} = \int_0^b (5/2 x/b - 3 x^2/b^2 + 1/2 x^3/b^3) \cdot Fb \cdot 1/EJ \, dx + 1 \cdot 0 \cdot 1/4 \cdot Fb^2/EJ$$

$$= \left[5/4 x^2/b - x^3/b^2 + 1/8 x^4/b^3 \right]_0^b \cdot Fb \cdot 1/EJ + 1 \cdot 0 \cdot 1/4 \cdot Fb^2/EJ$$

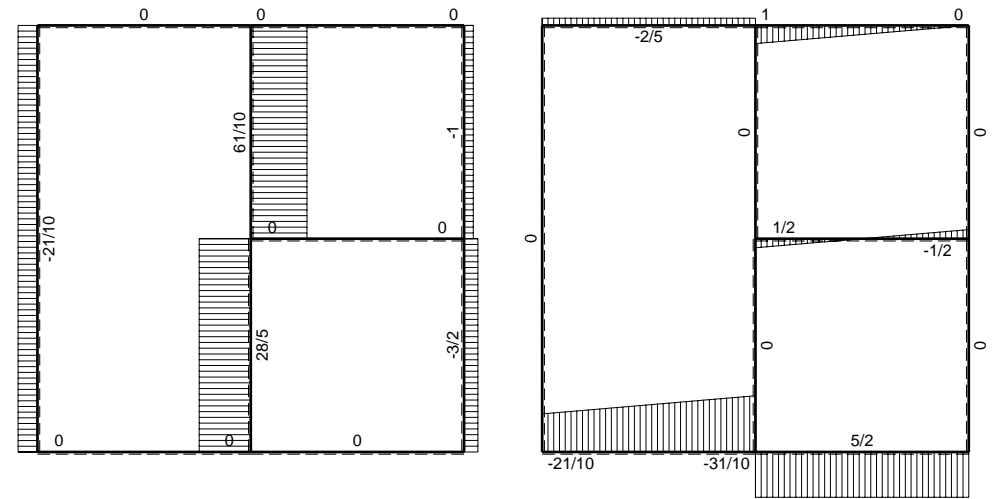
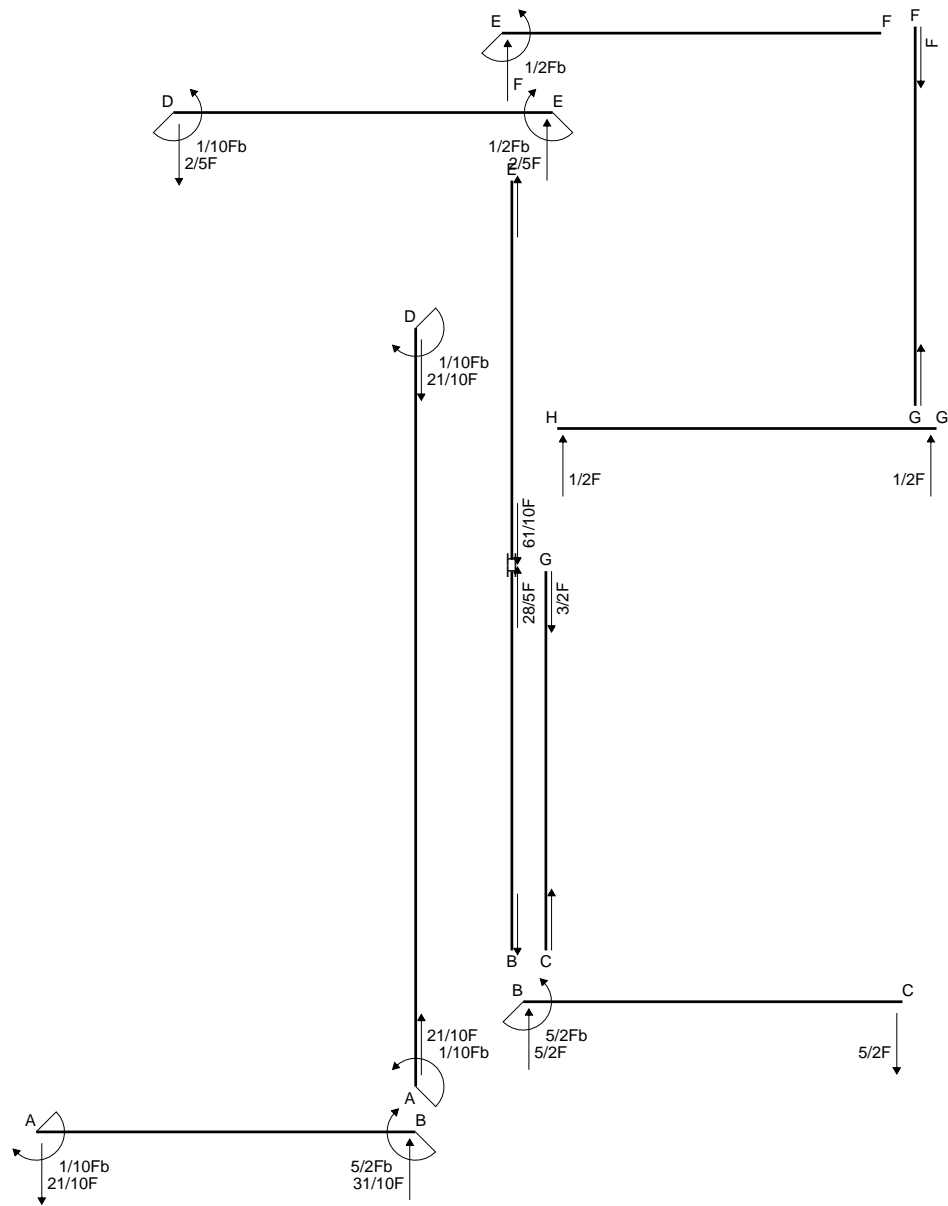
$$= (5/4 b - b + 1/8 b) \cdot Fb \cdot 1/EJ + 1 \cdot 0 \cdot 1/4 \cdot Fb^2/EJ = 3/8 \cdot Fb^2/EJ$$

$$L_{DE}^{xo} = \int_0^b (-1/2 x/b + 1/2 x^2/b^2) \cdot Fb \cdot 1/EJ \, dx = \left[-1/4 x^2/b + 1/6 x^3/b^2 \right]_0^b \cdot Fb \cdot 1/EJ$$

$$= (-1/4 b + 1/6 b) \cdot Fb \cdot 1/EJ = -1/12 \cdot Fb^2/EJ$$

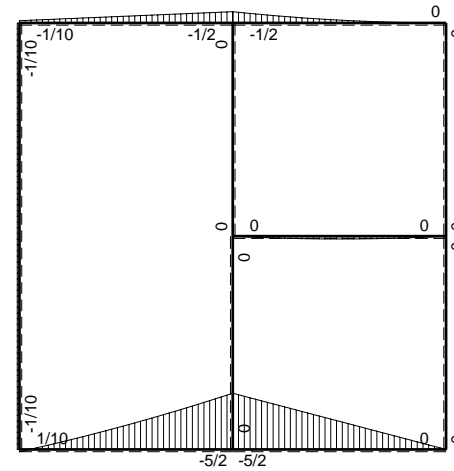
$$L_{ED}^{xo} = \int_0^b (-1/2 x/b + 1/2 x^2/b^2) \cdot Fb \cdot 1/EJ \, dx = \left[-1/4 x^2/b + 1/6 x^3/b^2 \right]_0^b \cdot Fb \cdot 1/EJ$$

$$= (-1/4 b + 1/6 b) \cdot Fb \cdot 1/EJ = -1/12 \cdot Fb^2/EJ$$

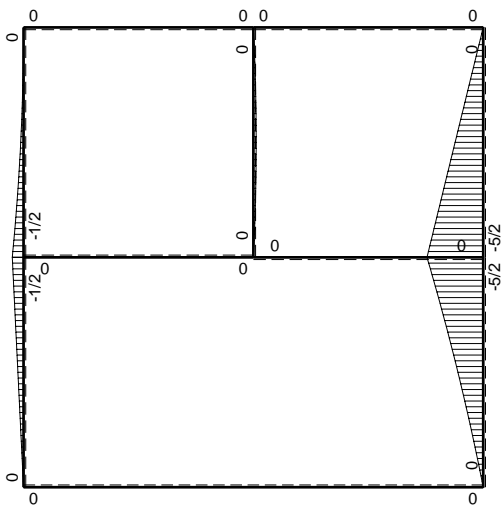
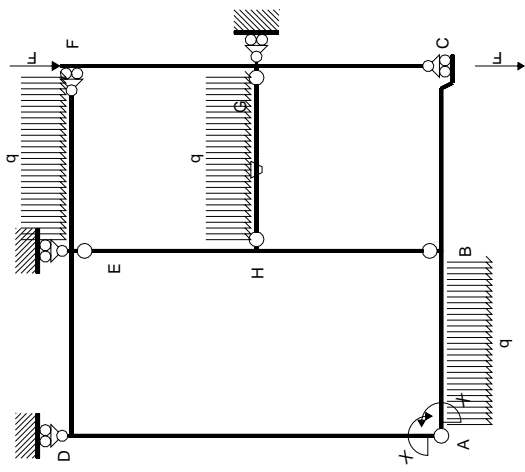


← ⊕ → F

↑ ⊕ ↓ F

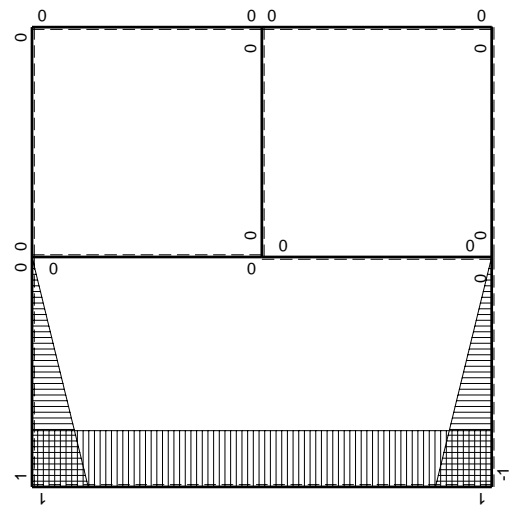


⊕ ⊖ F_b



Schema di calcolo iperstatico

M_0 flessione da carichi assegnati



M_x flessione da iperstatica $X=1$

Quadro contributi PLV per iperstatica $X=W_{AB}$

→	$M_x(x)$	$M_o(x)$	θ	$M_x M_o$	$M_x \theta$	$M_x M_x$	$\int M_x(M_o/EJ+\theta)dx$	$\int X M_x M_x/EJ dx$	
AB b	$-1+x/b$	$-2Fx-1/2qx^2$	0	$2Fx-3/2Fx^2/b-1/2qx^3/b$	0	$1-2x/b+x^2/b^2$	$(3/8+0)Fb^2/EJ$	$1/3Xb/EJ$	
BA b	x/b	$5/2Fb-3Fx+1/2qx^2$	0	$5/2Fx-3Fx^2/b+1/2qx^3/b$	0	x^2/b^2			
BC b	0	$-5/2Fb+5/2Fx$	0	0	0	0	0+0	0	
CB b	0	$5/2Fx$	0	0	0	0			
AD 2b	1	0	0	0	0	1	0+0	$2Xb/EJ$	
DA 2b	-1	0	0	0	0	1			
DE b	$1-x/b$	$-1/2Fx$	0	$-1/2Fx+1/2Fx^2/b$	0	$1-2x/b+x^2/b^2$	$(-1/12+0)Fb^2/EJ$	$1/3Xb/EJ$	
ED b	$-x/b$	$1/2Fb-1/2Fx$	0	$-1/2Fx+1/2Fx^2/b$	0	x^2/b^2			
EF b	0	$-1/2Fb+Fx-1/2qx^2$	0	0	0	0	0+0	0	
FE b	0	$1/2qx^2$	0	0	0	0			
FG b	0	0	0	0	0	0	0+0	0	
GF b	0	0	0	0	0	0			
GC b	0	0	0	0	0	0	0+0	0	
CG b	0	0	0	0	0	0			
HG b	0	$1/2Fx-1/2qx^2$	$-Fb/EJ$	0	0	0	0+0	0	
GH b	0	$-1/2Fx+1/2qx^2$	Fb/EJ	0	0	0			
HB b	0	0	0	0	0	0	0+0	0	
BH b	0	0	0	0	0	0			
HE b	0	0	0	0	0	0	0+0	0	
EH b	0	0	0	0	0	0			
AB	molla asta $-W_{1AB}(W_{0AB}+XW_{1AB})/k_{AB}$								$1/4Xb/EJ$
	totali							$7/24Fb^2/EJ$	$35/12Xb/EJ$
	iperstatica $X=W_{AB}$							$-1/10Fb$	

Sviluppi di calcolo iperstatica

$$L_{AB}^{xx} = \int_0^b (1 - 2x/b + x^2/b^2) \cdot 1/EJ \, dx + 1 \cdot 1/4 \cdot b/EJ = \left[x - x^2/b + 1/3 x^3/b^2 \right]_0^b \cdot 1/EJ + 1 \cdot 1/4 \cdot b/EJ$$

$$= (b - b + 1/3 b) \cdot 1/EJ + 1 \cdot 1/4 \cdot b/EJ = 7/12 \cdot b/EJ$$

$$L_{BA}^{xx} = \int_0^b (x^2/b^2) \cdot 1/EJ \, dx + 1 \cdot 1/4 \cdot b/EJ = \left[1/3 x^3/b^2 \right]_0^b \cdot 1/EJ + 1 \cdot 1/4 \cdot b/EJ$$

$$= (1/3 b) \cdot 1/EJ + 1 \cdot 1/4 \cdot b/EJ = 7/12 \cdot b/EJ$$

$$L_{AD}^{xx} = \int_0^{2b} (1) \cdot 1/EJ \, dx = \left[x \right]_0^{2b} \cdot 1/EJ$$

$$= (2b) \cdot 1/EJ = 2 \cdot b/EJ$$

$$L_{DA}^{xx} = \int_0^{2b} (1) \cdot 1/EJ \, dx = \left[x \right]_0^{2b} \cdot 1/EJ$$

$$= (2b) \cdot 1/EJ = 2 \cdot b/EJ$$

$$L_{DE}^{xx} = \int_0^b (1 - 2x/b + x^2/b^2) \cdot 1/EJ \, dx = \left[x - x^2/b + 1/3 x^3/b^2 \right]_0^b \cdot 1/EJ$$

$$= (b - b + 1/3 b) \cdot 1/EJ = 1/3 \cdot b/EJ$$

$$L_{ED}^{xx} = \int_0^b (x^2/b^2) \cdot 1/EJ \, dx = \left[1/3 x^3/b^2 \right]_0^b \cdot 1/EJ$$

$$= (1/3 b) \cdot 1/EJ = 1/3 \cdot b/EJ$$

$$L_{AB}^{xo} = \int_0^b (2x/b - 3/2 x^2/b^2 - 1/2 x^3/b^3) \cdot Fb \cdot 1/EJ \, dx + 1 \cdot 0 \cdot 1/4 \cdot Fb^2/EJ$$

$$= \left[x^2/b - 1/2 x^3/b^2 - 1/8 x^4/b^3 \right]_0^b \cdot Fb \cdot 1/EJ + 1 \cdot 0 \cdot 1/4 \cdot Fb^2/EJ$$

$$= (b - 1/2 b - 1/8 b) \cdot Fb \cdot 1/EJ + 1 \cdot 0 \cdot 1/4 \cdot Fb^2/EJ = 3/8 \cdot Fb^2/EJ$$

$$L_{BA}^{xo} = \int_0^b (5/2 x/b - 3 x^2/b^2 + 1/2 x^3/b^3) \cdot Fb \cdot 1/EJ \, dx + 1 \cdot 0 \cdot 1/4 \cdot Fb^2/EJ$$

$$= \left[5/4 x^2/b - x^3/b^2 + 1/8 x^4/b^3 \right]_0^b \cdot Fb \cdot 1/EJ + 1 \cdot 0 \cdot 1/4 \cdot Fb^2/EJ$$

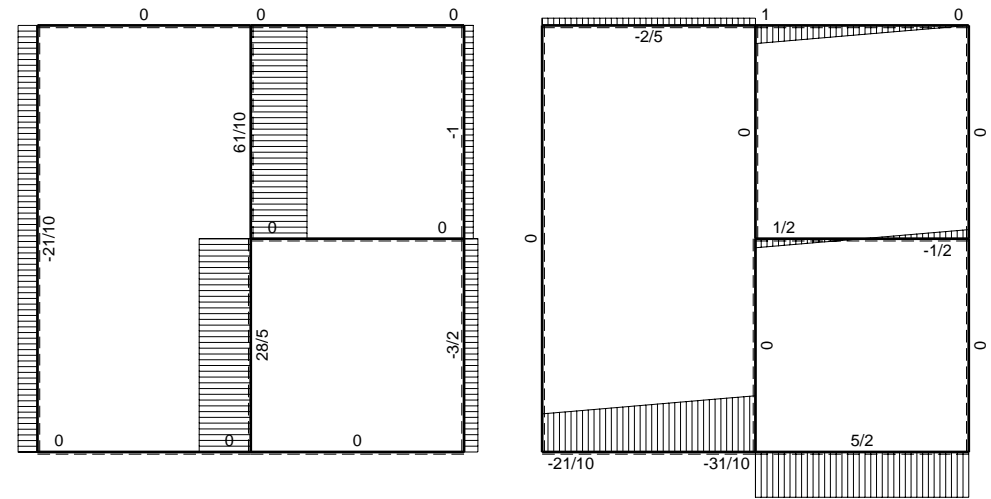
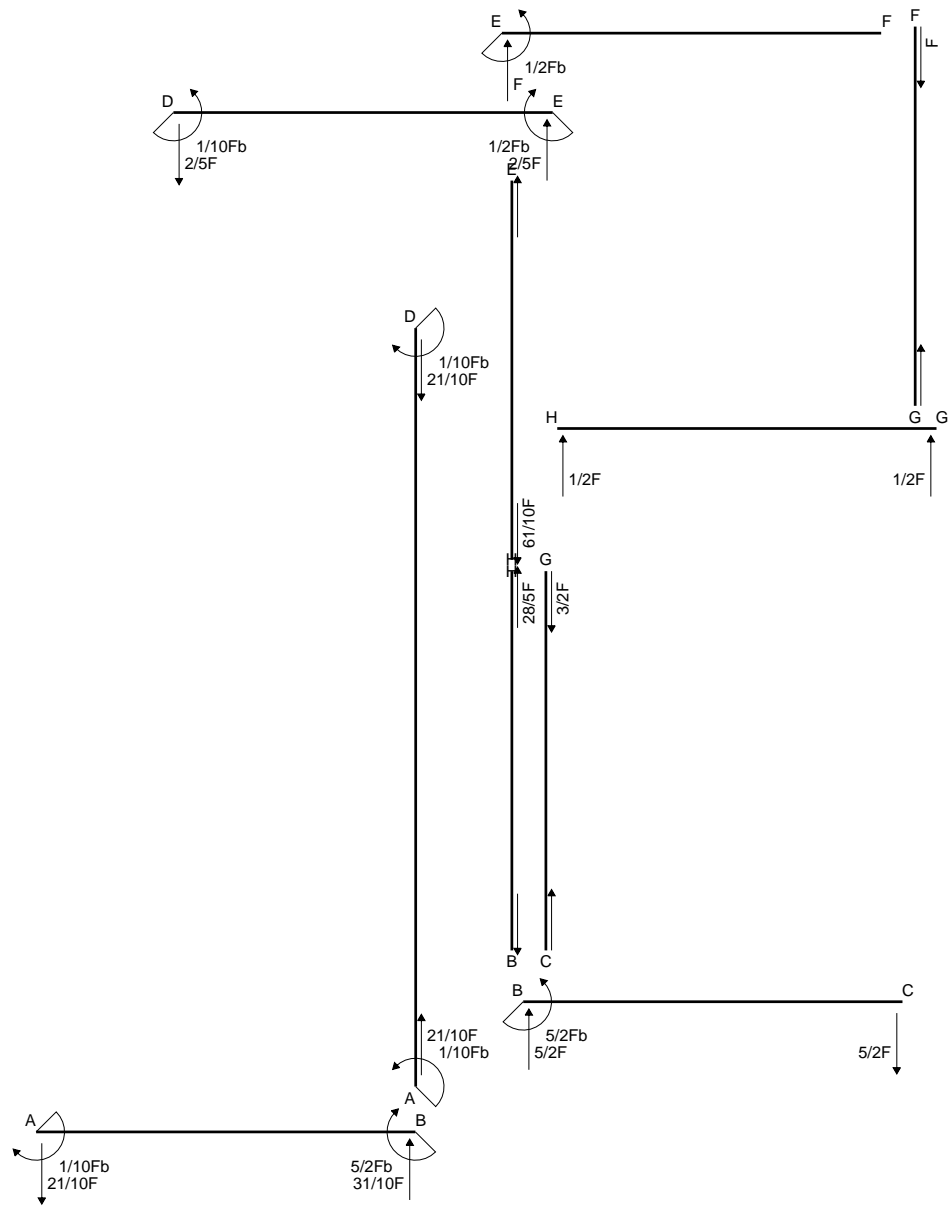
$$= (5/4 b - b + 1/8 b) \cdot Fb \cdot 1/EJ + 1 \cdot 0 \cdot 1/4 \cdot Fb^2/EJ = 3/8 \cdot Fb^2/EJ$$

$$L_{DE}^{xo} = \int_0^b (-1/2 x/b + 1/2 x^2/b^2) \cdot Fb \cdot 1/EJ \, dx = \left[-1/4 x^2/b + 1/6 x^3/b^2 \right]_0^b \cdot Fb \cdot 1/EJ$$

$$= (-1/4 b + 1/6 b) \cdot Fb \cdot 1/EJ = -1/12 \cdot Fb^2/EJ$$

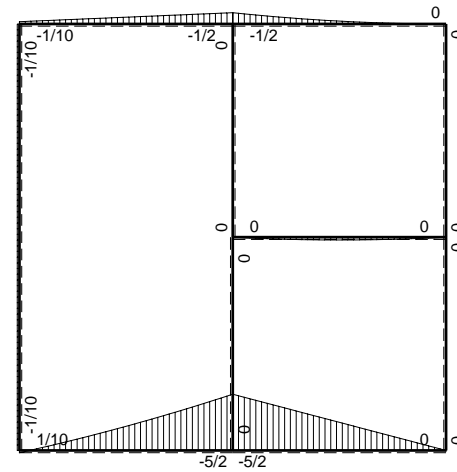
$$L_{ED}^{xo} = \int_0^b (-1/2 x/b + 1/2 x^2/b^2) \cdot Fb \cdot 1/EJ \, dx = \left[-1/4 x^2/b + 1/6 x^3/b^2 \right]_0^b \cdot Fb \cdot 1/EJ$$

$$= (-1/4 b + 1/6 b) \cdot Fb \cdot 1/EJ = -1/12 \cdot Fb^2/EJ$$

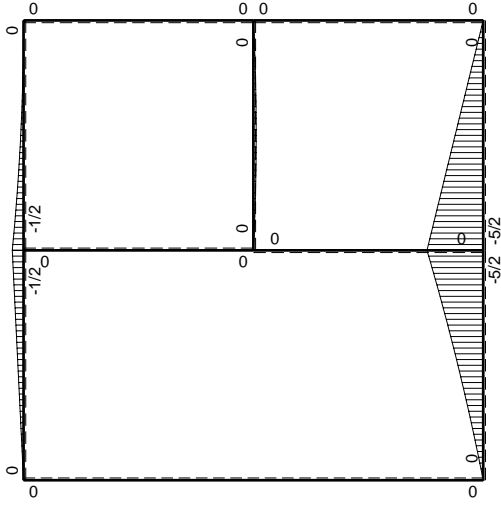
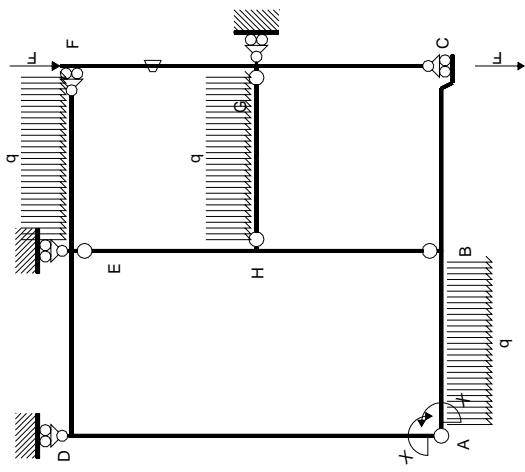


← ⊕ → F

↑ ⊕ ↓ F_b

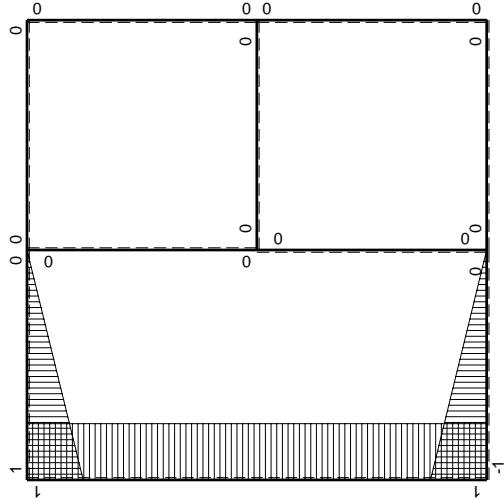


⊕ ⊖ F_b



Schema di calcolo iperstatico

M_0 flessione da carichi assegnati



M_x flessione da iperstatica $X=1$

Quadro contributi PLV per iperstatica $X=W_{AB}$

→	$M_x(x)$	$M_o(x)$	θ	$M_x M_o$	$M_x \theta$	$M_x M_x$	$\int M_x(M_o/EJ+\theta)dx$	$\int X M_x M_x/EJ dx$	
AB b	$-1+x/b$	$-2Fx-1/2qx^2$	0	$2Fx-3/2Fx^2/b-1/2qx^3/b$	0	$1-2x/b+x^2/b^2$	$(3/8+0)Fb^2/EJ$	$1/3Xb/EJ$	
BA b	x/b	$5/2Fb-3Fx+1/2qx^2$	0	$5/2Fx-3Fx^2/b+1/2qx^3/b$	0	x^2/b^2			
BC b	0	$-5/2Fb+5/2Fx$	0	0	0	0	0+0	0	
CB b	0	$5/2Fx$	0	0	0	0			
AD 2b	1	0	0	0	0	1	0+0	$2Xb/EJ$	
DA 2b	-1	0	0	0	0	1			
DE b	$1-x/b$	$-1/2Fx$	0	$-1/2Fx+1/2Fx^2/b$	0	$1-2x/b+x^2/b^2$	$(-1/12+0)Fb^2/EJ$	$1/3Xb/EJ$	
ED b	$-x/b$	$1/2Fb-1/2Fx$	0	$-1/2Fx+1/2Fx^2/b$	0	x^2/b^2			
EF b	0	$-1/2Fb+Fx-1/2qx^2$	0	0	0	0	0+0	0	
FE b	0	$1/2qx^2$	0	0	0	0			
FG b	0	0	$-Fb/EJ$	0	0	0	0+0	0	
GF b	0	0	Fb/EJ	0	0	0			
GC b	0	0	0	0	0	0	0+0	0	
CG b	0	0	0	0	0	0			
HG b	0	$1/2Fx-1/2qx^2$	0	0	0	0	0+0	0	
GH b	0	$-1/2Fx+1/2qx^2$	0	0	0	0			
HB b	0	0	0	0	0	0	0+0	0	
BH b	0	0	0	0	0	0			
HE b	0	0	0	0	0	0	0+0	0	
EH b	0	0	0	0	0	0			
AB	molla asta $-W_{1AB}(W_{0AB}+XW_{1AB})/k_{AB}$								$1/4Xb/EJ$
	totali							$7/24Fb^2/EJ$	$35/12Xb/EJ$
	iperstatica $X=W_{AB}$							$-1/10Fb$	

Sviluppi di calcolo iperstatica

$$L_{AB}^{xx} = \int_0^b (1 - 2x/b + x^2/b^2) \cdot 1/EJ \, dx + 1 \cdot 1/4 \cdot b/EJ = \left[x - x^2/b + 1/3 x^3/b^2 \right]_0^b \cdot 1/EJ + 1 \cdot 1/4 \cdot b/EJ$$

$$= (b - b + 1/3 b) \cdot 1/EJ + 1 \cdot 1/4 \cdot b/EJ = 7/12 \cdot b/EJ$$

$$L_{BA}^{xx} = \int_0^b (x^2/b^2) \cdot 1/EJ \, dx + 1 \cdot 1/4 \cdot b/EJ = \left[1/3 x^3/b^2 \right]_0^b \cdot 1/EJ + 1 \cdot 1/4 \cdot b/EJ$$

$$= (1/3 b) \cdot 1/EJ + 1 \cdot 1/4 \cdot b/EJ = 7/12 \cdot b/EJ$$

$$L_{AD}^{xx} = \int_0^{2b} (1) \cdot 1/EJ \, dx = \left[x \right]_0^{2b} \cdot 1/EJ$$

$$= (2b) \cdot 1/EJ = 2 \cdot b/EJ$$

$$L_{DA}^{xx} = \int_0^{2b} (1) \cdot 1/EJ \, dx = \left[x \right]_0^{2b} \cdot 1/EJ$$

$$= (2b) \cdot 1/EJ = 2 \cdot b/EJ$$

$$L_{DE}^{xx} = \int_0^b (1 - 2x/b + x^2/b^2) \cdot 1/EJ \, dx = \left[x - x^2/b + 1/3 x^3/b^2 \right]_0^b \cdot 1/EJ$$

$$= (b - b + 1/3 b) \cdot 1/EJ = 1/3 \cdot b/EJ$$

$$L_{ED}^{xx} = \int_0^b (x^2/b^2) \cdot 1/EJ \, dx = \left[1/3 x^3/b^2 \right]_0^b \cdot 1/EJ$$

$$= (1/3 b) \cdot 1/EJ = 1/3 \cdot b/EJ$$

$$L_{AB}^{xo} = \int_0^b (2x/b - 3/2 x^2/b^2 - 1/2 x^3/b^3) \cdot Fb \cdot 1/EJ \, dx + 1 \cdot 0 \cdot 1/4 \cdot Fb^2/EJ$$

$$= \left[x^2/b - 1/2 x^3/b^2 - 1/8 x^4/b^3 \right]_0^b \cdot Fb \cdot 1/EJ + 1 \cdot 0 \cdot 1/4 \cdot Fb^2/EJ$$

$$= (b - 1/2 b - 1/8 b) \cdot Fb \cdot 1/EJ + 1 \cdot 0 \cdot 1/4 \cdot Fb^2/EJ = 3/8 \cdot Fb^2/EJ$$

$$L_{BA}^{xo} = \int_0^b (5/2 x/b - 3 x^2/b^2 + 1/2 x^3/b^3) \cdot Fb \cdot 1/EJ \, dx + 1 \cdot 0 \cdot 1/4 \cdot Fb^2/EJ$$

$$= \left[5/4 x^2/b - x^3/b^2 + 1/8 x^4/b^3 \right]_0^b \cdot Fb \cdot 1/EJ + 1 \cdot 0 \cdot 1/4 \cdot Fb^2/EJ$$

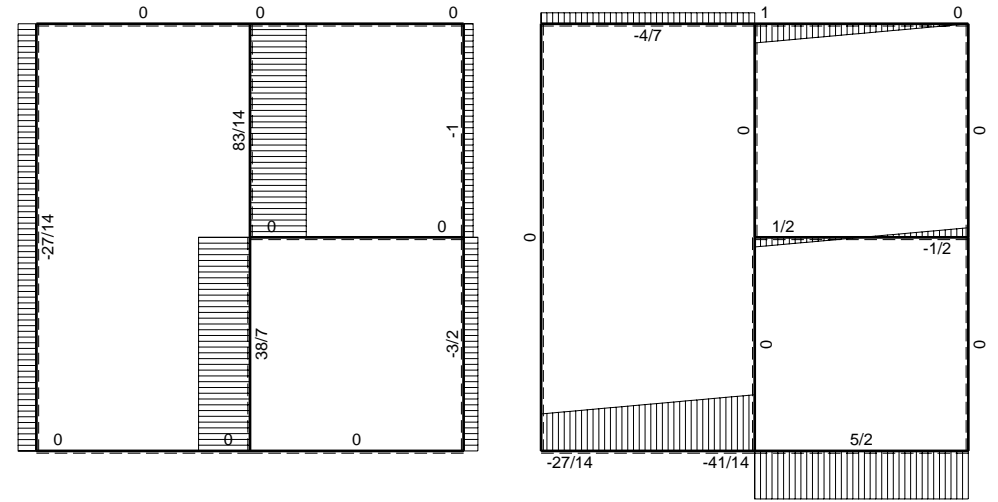
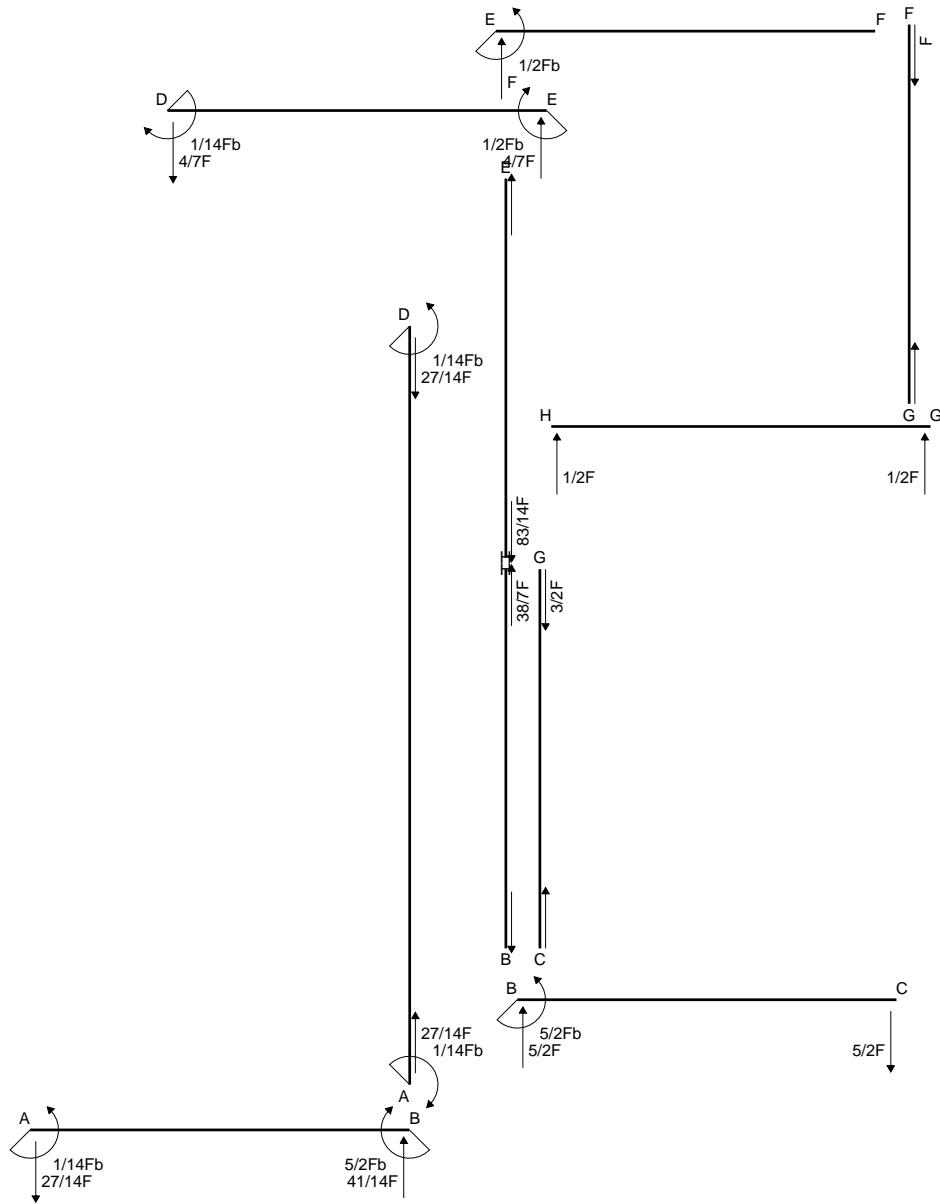
$$= (5/4 b - b + 1/8 b) \cdot Fb \cdot 1/EJ + 1 \cdot 0 \cdot 1/4 \cdot Fb^2/EJ = 3/8 \cdot Fb^2/EJ$$

$$L_{DE}^{xo} = \int_0^b (-1/2 x/b + 1/2 x^2/b^2) \cdot Fb \cdot 1/EJ \, dx = \left[-1/4 x^2/b + 1/6 x^3/b^2 \right]_0^b \cdot Fb \cdot 1/EJ$$

$$= (-1/4 b + 1/6 b) \cdot Fb \cdot 1/EJ = -1/12 \cdot Fb^2/EJ$$

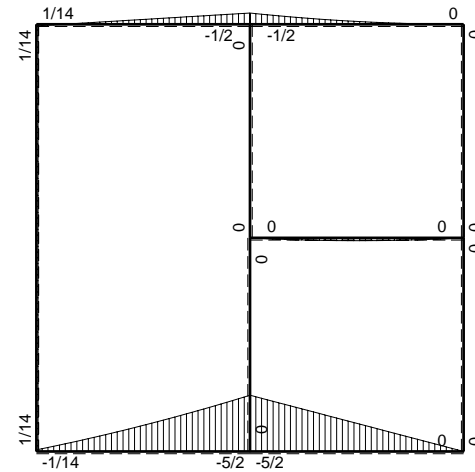
$$L_{ED}^{xo} = \int_0^b (-1/2 x/b + 1/2 x^2/b^2) \cdot Fb \cdot 1/EJ \, dx = \left[-1/4 x^2/b + 1/6 x^3/b^2 \right]_0^b \cdot Fb \cdot 1/EJ$$

$$= (-1/4 b + 1/6 b) \cdot Fb \cdot 1/EJ = -1/12 \cdot Fb^2/EJ$$

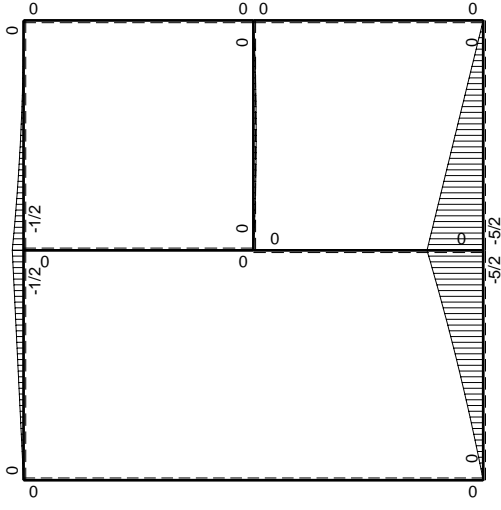
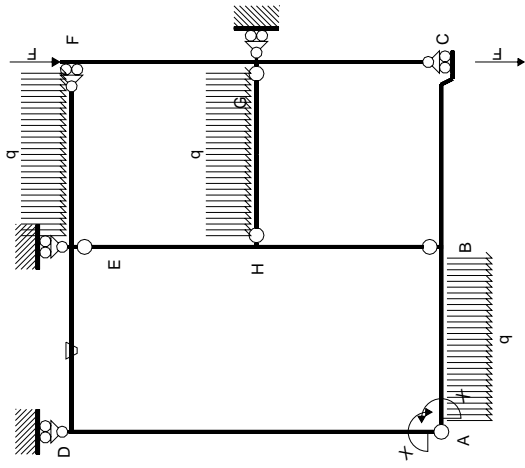


$\leftarrow \oplus \rightarrow F$

$\uparrow \oplus \downarrow F$

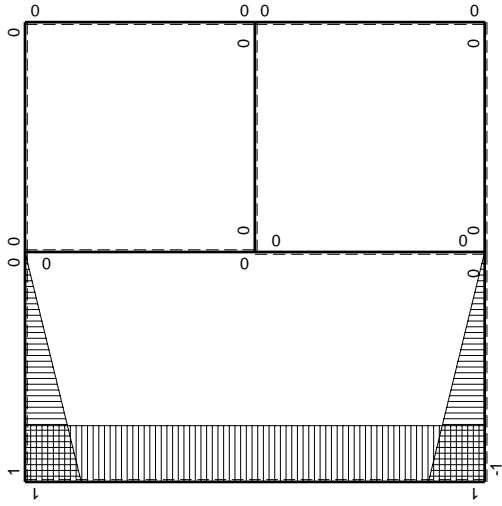


$\oplus \ominus F_b$



Schema di calcolo iperstatico

M_0 flessione da carichi assegnati



M_x flessione da iperstatica $X=1$

Quadro contributi PLV per iperstatica $X=W_{AB}$

→	$M_x(x)$	$M_o(x)$	θ	$M_x M_o$	$M_x \theta$	$M_x M_x$	$\int M_x(M_o/EJ+\theta)dx$	$\int X M_x M_x/EJ dx$	
AB b	$-1+x/b$	$-2Fx-1/2qx^2$	0	$2Fx-3/2Fx^2/b-1/2qx^3/b$	0	$1-2x/b+x^2/b^2$	$(3/8+0)Fb^2/EJ$	$1/3Xb/EJ$	
BA b	x/b	$5/2Fb-3Fx+1/2qx^2$	0	$5/2Fx-3Fx^2/b+1/2qx^3/b$	0	x^2/b^2			
BC b	0	$-5/2Fb+5/2Fx$	0	0	0	0	0+0	0	
CB b	0	$5/2Fx$	0	0	0	0			
AD 2b	1	0	0	0	0	1	0+0	$2Xb/EJ$	
DA 2b	-1	0	0	0	0	1			
DE b	$1-x/b$	$-1/2Fx$	$-Fb/EJ$	$-1/2Fx+1/2Fx^2/b$	$-Fb/EJ+Fx/EJ$	$1-2x/b+x^2/b^2$	$(-1/12-1/2)Fb^2/EJ$	$1/3Xb/EJ$	
ED b	$-x/b$	$1/2Fb-1/2Fx$	Fb/EJ	$-1/2Fx+1/2Fx^2/b$	$-Fx/EJ$	x^2/b^2			
EF b	0	$-1/2Fb+Fx-1/2qx^2$	0	0	0	0	0+0	0	
FE b	0	$1/2qx^2$	0	0	0	0			
FG b	0	0	0	0	0	0	0+0	0	
GF b	0	0	0	0	0	0			
GC b	0	0	0	0	0	0	0+0	0	
CG b	0	0	0	0	0	0			
HG b	0	$1/2Fx-1/2qx^2$	0	0	0	0	0+0	0	
GH b	0	$-1/2Fx+1/2qx^2$	0	0	0	0			
HB b	0	0	0	0	0	0	0+0	0	
BH b	0	0	0	0	0	0			
HE b	0	0	0	0	0	0	0+0	0	
EH b	0	0	0	0	0	0			
AB	molla asta $-W_{1AB}(W_{0AB}+XW_{1AB})/k_{AB}$								$1/4Xb/EJ$
	totali							$-5/24Fb^2/EJ$	$35/12Xb/EJ$
	iperstatica $X=W_{AB}$							$1/14Fb$	

Sviluppi di calcolo iperstatica

$$L_{AB}^{xx} = \int_0^b (1 - 2x/b + x^2/b^2) \frac{1}{EJ} dx + 1 \cdot 1/4 \cdot b/EJ = \left[x - x^2/b + 1/3 x^3/b^2 \right]_0^b \frac{1}{EJ} + 1 \cdot 1/4 \cdot b/EJ$$

$$= (b - b + 1/3 b) \frac{1}{EJ} + 1 \cdot 1/4 \cdot b/EJ = 7/12 \cdot b/EJ$$

$$L_{BA}^{xx} = \int_0^b (x^2/b^2) \frac{1}{EJ} dx + 1 \cdot 1/4 \cdot b/EJ = \left[1/3 x^3/b^2 \right]_0^b \frac{1}{EJ} + 1 \cdot 1/4 \cdot b/EJ$$

$$= (1/3 b) \frac{1}{EJ} + 1 \cdot 1/4 \cdot b/EJ = 7/12 \cdot b/EJ$$

$$L_{AD}^{xx} = \int_0^{2b} (1) \frac{1}{EJ} dx = \left[x \right]_0^{2b} \frac{1}{EJ}$$

$$= (2b) \frac{1}{EJ} = 2 \cdot b/EJ$$

$$L_{DA}^{xx} = \int_0^{2b} (1) \frac{1}{EJ} dx = \left[x \right]_0^{2b} \frac{1}{EJ}$$

$$= (2b) \frac{1}{EJ} = 2 \cdot b/EJ$$

$$L_{DE}^{xx} = \int_0^b (1 - 2x/b + x^2/b^2) \frac{1}{EJ} dx = \left[x - x^2/b + 1/3 x^3/b^2 \right]_0^b \frac{1}{EJ}$$

$$= (b - b + 1/3 b) \frac{1}{EJ} = 1/3 \cdot b/EJ$$

$$L_{ED}^{xx} = \int_0^b (x^2/b^2) \frac{1}{EJ} dx = \left[1/3 x^3/b^2 \right]_0^b \frac{1}{EJ}$$

$$= (1/3 b) \frac{1}{EJ} = 1/3 \cdot b/EJ$$

$$L_{AB}^{xo} = \int_0^b (2x/b - 3/2 x^2/b^2 - 1/2 x^3/b^3) Fb \frac{1}{EJ} dx + 1 \cdot 0 \cdot 1/4 \cdot Fb^2/EJ$$

$$= \left[x^2/b - 1/2 x^3/b^2 - 1/8 x^4/b^3 \right]_0^b Fb \frac{1}{EJ} + 1 \cdot 0 \cdot 1/4 \cdot Fb^2/EJ$$

$$= (b - 1/2 b - 1/8 b) Fb \frac{1}{EJ} + 1 \cdot 0 \cdot 1/4 \cdot Fb^2/EJ = 3/8 \cdot Fb^2/EJ$$

$$L_{BA}^{xo} = \int_0^b (5/2 x/b - 3 x^2/b^2 + 1/2 x^3/b^3) Fb \frac{1}{EJ} dx + 1 \cdot 0 \cdot 1/4 \cdot Fb^2/EJ$$

$$= \left[5/4 x^2/b - x^3/b^2 + 1/8 x^4/b^3 \right]_0^b Fb \frac{1}{EJ} + 1 \cdot 0 \cdot 1/4 \cdot Fb^2/EJ$$

$$= (5/4 b - b + 1/8 b) Fb \frac{1}{EJ} + 1 \cdot 0 \cdot 1/4 \cdot Fb^2/EJ = 3/8 \cdot Fb^2/EJ$$

$$L_{DE}^{xo} = \int_0^b (-1/2 x/b + 1/2 x^2/b^2) Fb \frac{1}{EJ} dx + \int_0^b (-1 + x/b) \theta dx$$

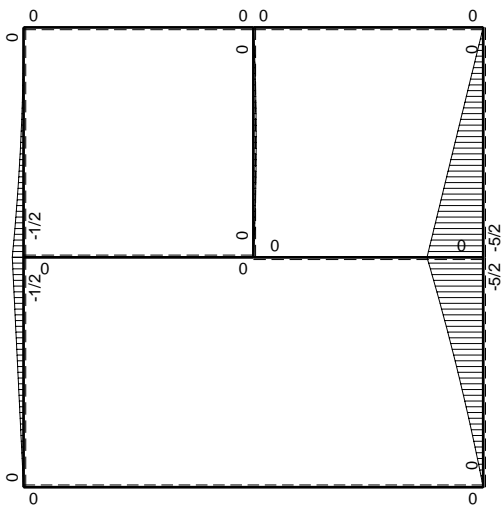
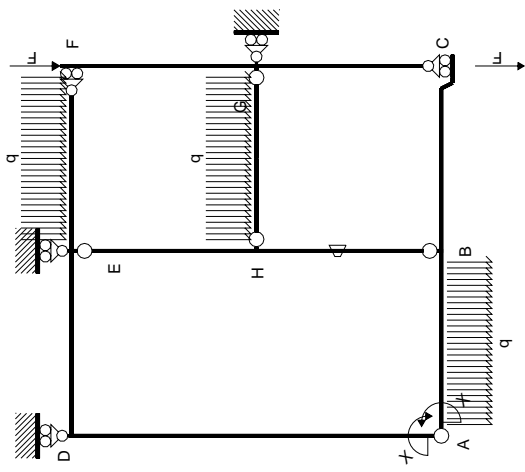
$$= \left[-1/4 x^2/b + 1/6 x^3/b^2 \right]_0^b Fb \frac{1}{EJ} + \left[-x + 1/2 x^2/b \right]_0^b \theta$$

$$= (-1/4 b + 1/6 b) Fb \frac{1}{EJ} + (-b + 1/2 b) \theta = -7/12 \cdot Fb^2/EJ$$

$$L_{ED}^{xo} = \int_0^b (-1/2 x/b + 1/2 x^2/b^2) Fb \frac{1}{EJ} dx + \int_0^b (x/b) \theta dx$$

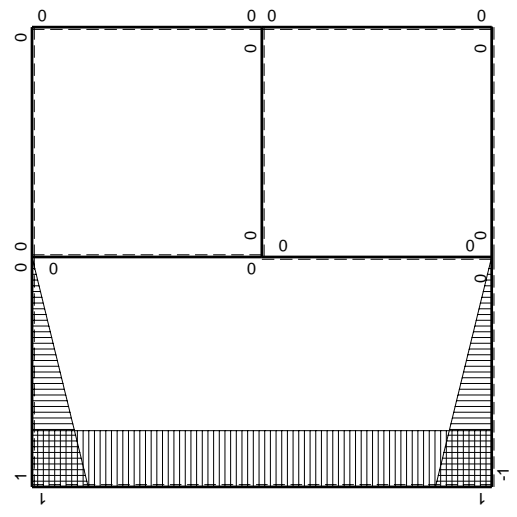
$$= \left[-1/4 x^2/b + 1/6 x^3/b^2 \right]_0^b Fb \frac{1}{EJ} + \left[1/2 x^2/b \right]_0^b \theta$$

$$= (-1/4 b + 1/6 b) Fb \frac{1}{EJ} + (1/2 b) \theta = -7/12 \cdot Fb^2/EJ$$



Schema di calcolo iperstatico

M_0 flessione da carichi assegnati



M_x flessione da iperstatica $X=1$

Quadro contributi PLV per iperstatica $X=W_{AB}$

→	$M_x(x)$	$M_o(x)$	θ	$M_x M_o$	$M_x \theta$	$M_x M_x$	$\int M_x(M_o/EJ+\theta)dx$	$\int X M_x M_x / EJ dx$	
AB b	$-1+x/b$	$-2Fx-1/2qx^2$	0	$2Fx-3/2Fx^2/b-1/2qx^3/b$	0	$1-2x/b+x^2/b^2$	$(3/8+0)Fb^2/EJ$	$1/3Xb/EJ$	
BA b	x/b	$5/2Fb-3Fx+1/2qx^2$	0	$5/2Fx-3Fx^2/b+1/2qx^3/b$	0	x^2/b^2			
BC b	0	$-5/2Fb+5/2Fx$	0	0	0	0	0+0	0	
CB b	0	$5/2Fx$	0	0	0	0			
AD 2b	1	0	0	0	0	1	0+0	$2Xb/EJ$	
DA 2b	-1	0	0	0	0	1			
DE b	$1-x/b$	$-1/2Fx$	0	$-1/2Fx+1/2Fx^2/b$	0	$1-2x/b+x^2/b^2$	$(-1/12+0)Fb^2/EJ$	$1/3Xb/EJ$	
ED b	$-x/b$	$1/2Fb-1/2Fx$	0	$-1/2Fx+1/2Fx^2/b$	0	x^2/b^2			
EF b	0	$-1/2Fb+Fx-1/2qx^2$	0	0	0	0	0+0	0	
FE b	0	$1/2qx^2$	0	0	0	0			
FG b	0	0	0	0	0	0	0+0	0	
GF b	0	0	0	0	0	0			
GC b	0	0	0	0	0	0	0+0	0	
CG b	0	0	0	0	0	0			
HG b	0	$1/2Fx-1/2qx^2$	0	0	0	0	0+0	0	
GH b	0	$-1/2Fx+1/2qx^2$	0	0	0	0			
HB b	0	0	$-Fb/EJ$	0	0	0	0+0	0	
BH b	0	0	Fb/EJ	0	0	0			
HE b	0	0	0	0	0	0	0+0	0	
EH b	0	0	0	0	0	0			
AB	molla asta $-W_{1AB} (W_{0AB} + XW_{1AB}) / k_{AB}$								$1/4Xb/EJ$
	totali							$7/24Fb^2/EJ$	$35/12Xb/EJ$
	iperstatica $X=W_{AB}$							$-1/10Fb$	

Sviluppi di calcolo iperstatica

$$L_{AB}^{xx} = \int_0^b (1 - 2x/b + x^2/b^2) \cdot 1/EJ \, dx + 1 \cdot 1/4 \cdot b/EJ = \left[x - x^2/b + 1/3 x^3/b^2 \right]_0^b \cdot 1/EJ + 1 \cdot 1/4 \cdot b/EJ$$

$$= (b - b + 1/3 b) \cdot 1/EJ + 1 \cdot 1/4 \cdot b/EJ = 7/12 \cdot b/EJ$$

$$L_{BA}^{xx} = \int_0^b (x^2/b^2) \cdot 1/EJ \, dx + 1 \cdot 1/4 \cdot b/EJ = \left[1/3 x^3/b^2 \right]_0^b \cdot 1/EJ + 1 \cdot 1/4 \cdot b/EJ$$

$$= (1/3 b) \cdot 1/EJ + 1 \cdot 1/4 \cdot b/EJ = 7/12 \cdot b/EJ$$

$$L_{AD}^{xx} = \int_0^{2b} (1) \cdot 1/EJ \, dx = \left[x \right]_0^{2b} \cdot 1/EJ$$

$$= (2b) \cdot 1/EJ = 2 \cdot b/EJ$$

$$L_{DA}^{xx} = \int_0^{2b} (1) \cdot 1/EJ \, dx = \left[x \right]_0^{2b} \cdot 1/EJ$$

$$= (2b) \cdot 1/EJ = 2 \cdot b/EJ$$

$$L_{DE}^{xx} = \int_0^b (1 - 2x/b + x^2/b^2) \cdot 1/EJ \, dx = \left[x - x^2/b + 1/3 x^3/b^2 \right]_0^b \cdot 1/EJ$$

$$= (b - b + 1/3 b) \cdot 1/EJ = 1/3 \cdot b/EJ$$

$$L_{ED}^{xx} = \int_0^b (x^2/b^2) \cdot 1/EJ \, dx = \left[1/3 x^3/b^2 \right]_0^b \cdot 1/EJ$$

$$= (1/3 b) \cdot 1/EJ = 1/3 \cdot b/EJ$$

$$L_{AB}^{xo} = \int_0^b (2x/b - 3/2 x^2/b^2 - 1/2 x^3/b^3) \cdot Fb \cdot 1/EJ \, dx + 1 \cdot 0 \cdot 1/4 \cdot Fb^2/EJ$$

$$= \left[x^2/b - 1/2 x^3/b^2 - 1/8 x^4/b^3 \right]_0^b \cdot Fb \cdot 1/EJ + 1 \cdot 0 \cdot 1/4 \cdot Fb^2/EJ$$

$$= (b - 1/2 b - 1/8 b) \cdot Fb \cdot 1/EJ + 1 \cdot 0 \cdot 1/4 \cdot Fb^2/EJ = 3/8 \cdot Fb^2/EJ$$

$$L_{BA}^{xo} = \int_0^b (5/2 x/b - 3 x^2/b^2 + 1/2 x^3/b^3) \cdot Fb \cdot 1/EJ \, dx + 1 \cdot 0 \cdot 1/4 \cdot Fb^2/EJ$$

$$= \left[5/4 x^2/b - x^3/b^2 + 1/8 x^4/b^3 \right]_0^b \cdot Fb \cdot 1/EJ + 1 \cdot 0 \cdot 1/4 \cdot Fb^2/EJ$$

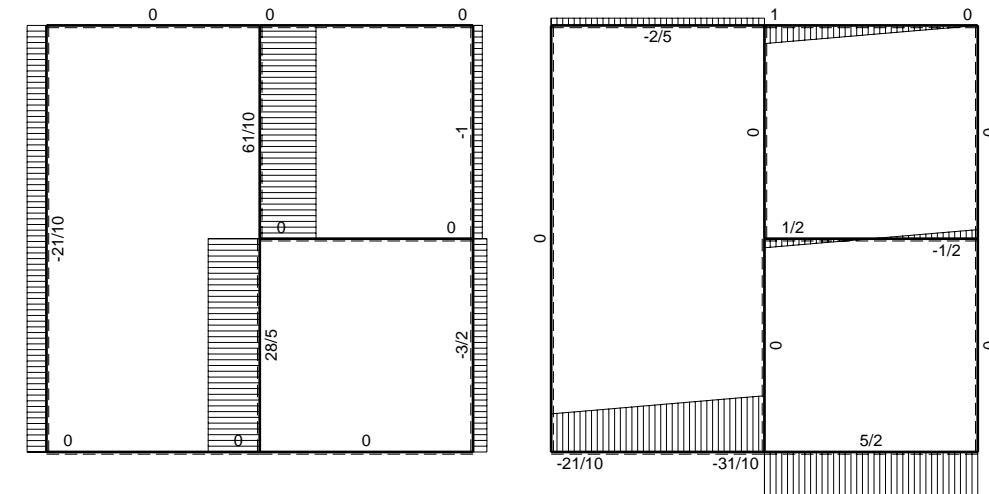
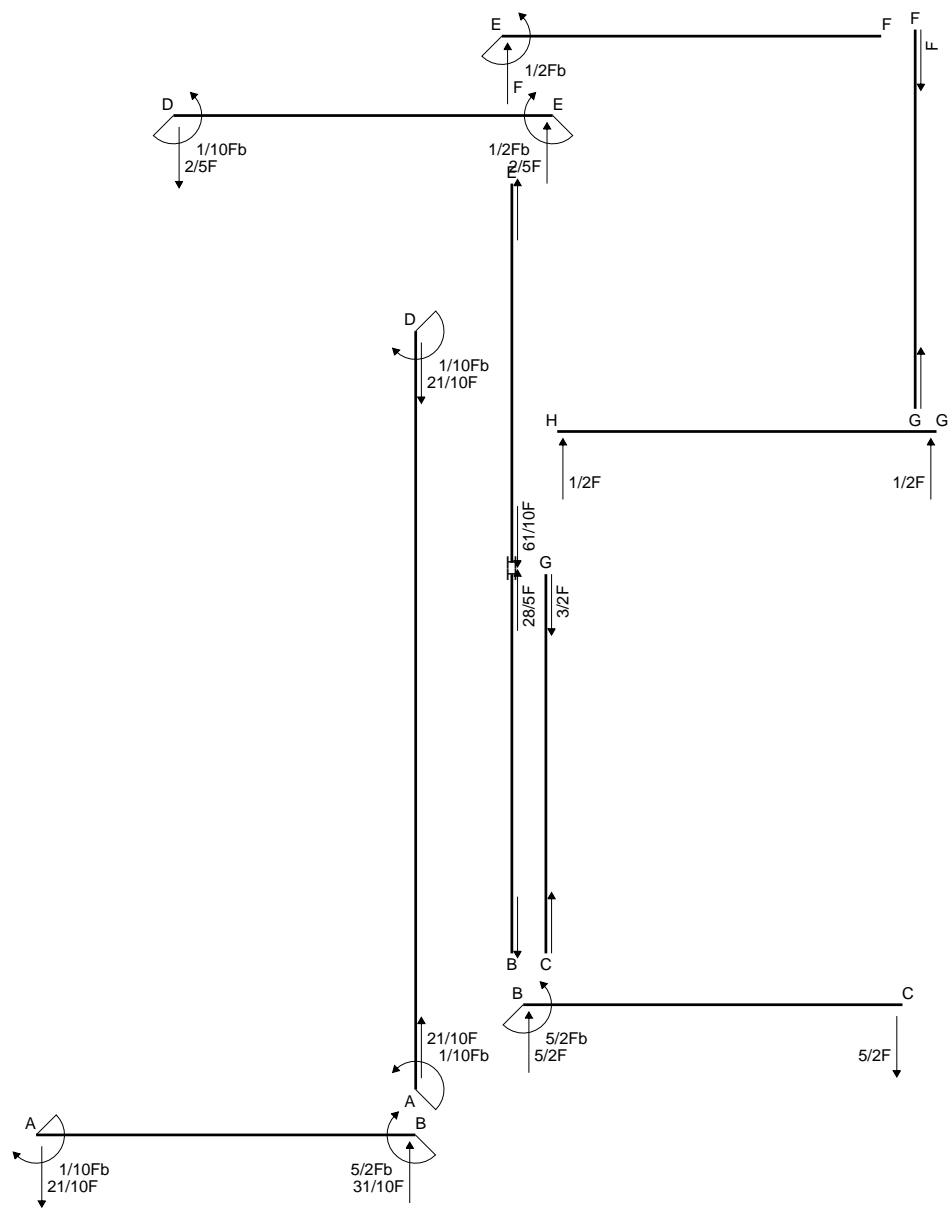
$$= (5/4 b - b + 1/8 b) \cdot Fb \cdot 1/EJ + 1 \cdot 0 \cdot 1/4 \cdot Fb^2/EJ = 3/8 \cdot Fb^2/EJ$$

$$L_{DE}^{xo} = \int_0^b (-1/2 x/b + 1/2 x^2/b^2) \cdot Fb \cdot 1/EJ \, dx = \left[-1/4 x^2/b + 1/6 x^3/b^2 \right]_0^b \cdot Fb \cdot 1/EJ$$

$$= (-1/4 b + 1/6 b) \cdot Fb \cdot 1/EJ = -1/12 \cdot Fb^2/EJ$$

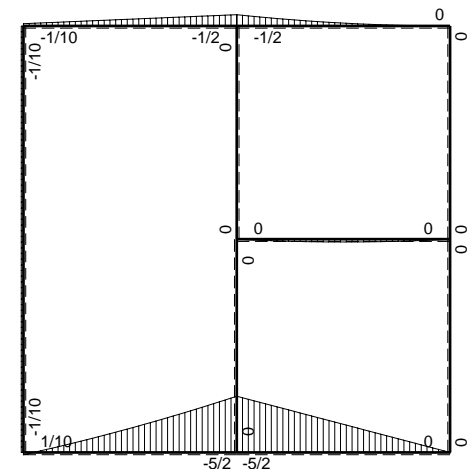
$$L_{ED}^{xo} = \int_0^b (-1/2 x/b + 1/2 x^2/b^2) \cdot Fb \cdot 1/EJ \, dx = \left[-1/4 x^2/b + 1/6 x^3/b^2 \right]_0^b \cdot Fb \cdot 1/EJ$$

$$= (-1/4 b + 1/6 b) \cdot Fb \cdot 1/EJ = -1/12 \cdot Fb^2/EJ$$

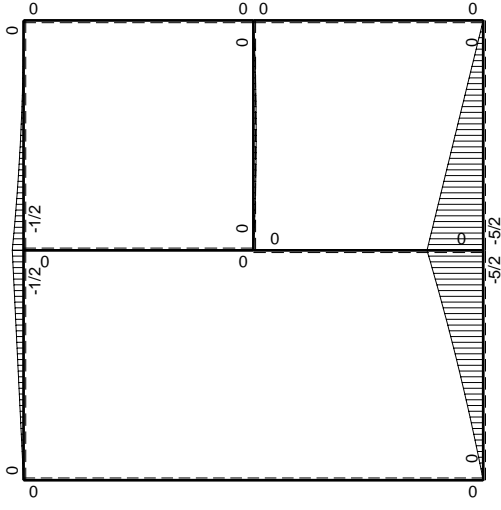
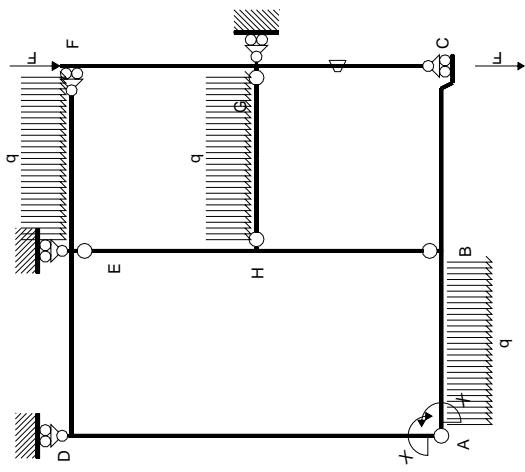


← ⊕ → F

↑ ⊕ ↓ F

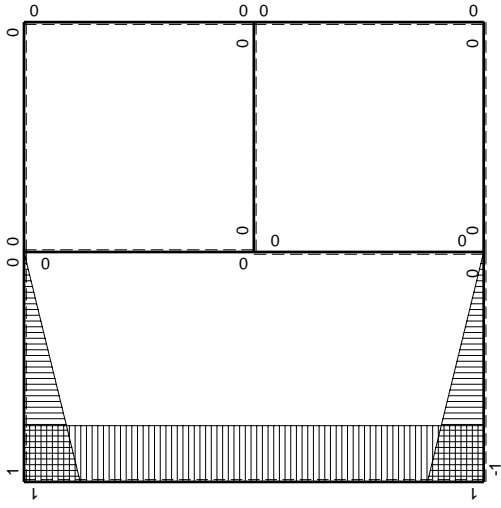


⊕ ⊖ F_b



Schema di calcolo iperstatico

M_0 flessione da carichi assegnati



M_x flessione da iperstatica $X=1$

Quadro contributi PLV per iperstatica $X=W_{AB}$

→	$M_x(x)$	$M_o(x)$	θ	$M_x M_o$	$M_x \theta$	$M_x M_x$	$\int M_x(M_o/EJ+\theta)dx$	$\int X M_x M_x/EJ dx$	
AB b	$-1+x/b$	$-2Fx-1/2qx^2$	0	$2Fx-3/2Fx^2/b-1/2qx^3/b$	0	$1-2x/b+x^2/b^2$	$(3/8+0)Fb^2/EJ$	$1/3Xb/EJ$	
BA b	x/b	$5/2Fb-3Fx+1/2qx^2$	0	$5/2Fx-3Fx^2/b+1/2qx^3/b$	0	x^2/b^2			
BC b	0	$-5/2Fb+5/2Fx$	0	0	0	0	0+0	0	
CB b	0	$5/2Fx$	0	0	0	0			
AD 2b	1	0	0	0	0	1	0+0	$2Xb/EJ$	
DA 2b	-1	0	0	0	0	1			
DE b	$1-x/b$	$-1/2Fx$	0	$-1/2Fx+1/2Fx^2/b$	0	$1-2x/b+x^2/b^2$	$(-1/12+0)Fb^2/EJ$	$1/3Xb/EJ$	
ED b	$-x/b$	$1/2Fb-1/2Fx$	0	$-1/2Fx+1/2Fx^2/b$	0	x^2/b^2			
EF b	0	$-1/2Fb+Fx-1/2qx^2$	0	0	0	0	0+0	0	
FE b	0	$1/2qx^2$	0	0	0	0			
FG b	0	0	0	0	0	0	0+0	0	
GF b	0	0	0	0	0	0			
GC b	0	0	$-Fb/EJ$	0	0	0	0+0	0	
CG b	0	0	Fb/EJ	0	0	0			
HG b	0	$1/2Fx-1/2qx^2$	0	0	0	0	0+0	0	
GH b	0	$-1/2Fx+1/2qx^2$	0	0	0	0			
HB b	0	0	0	0	0	0	0+0	0	
BH b	0	0	0	0	0	0			
HE b	0	0	0	0	0	0	0+0	0	
EH b	0	0	0	0	0	0			
AB	molla asta $-W_{1AB} (W_{0AB} + XW_{1AB})/k_{AB}$								$1/4Xb/EJ$
	totali							$7/24Fb^2/EJ$	$35/12Xb/EJ$
	iperstatica $X=W_{AB}$							$-1/10Fb$	

Sviluppi di calcolo iperstatica

$$L_{AB}^{xx} = \int_0^b (1 - 2x/b + x^2/b^2) \cdot 1/EJ \, dx + 1 \cdot 1/4 \cdot b/EJ = \left[x - x^2/b + 1/3 x^3/b^2 \right]_0^b \cdot 1/EJ + 1 \cdot 1/4 \cdot b/EJ$$

$$= (b - b + 1/3 b) \cdot 1/EJ + 1 \cdot 1/4 \cdot b/EJ = 7/12 \cdot b/EJ$$

$$L_{BA}^{xx} = \int_0^b (x^2/b^2) \cdot 1/EJ \, dx + 1 \cdot 1/4 \cdot b/EJ = \left[1/3 x^3/b^2 \right]_0^b \cdot 1/EJ + 1 \cdot 1/4 \cdot b/EJ$$

$$= (1/3 b) \cdot 1/EJ + 1 \cdot 1/4 \cdot b/EJ = 7/12 \cdot b/EJ$$

$$L_{AD}^{xx} = \int_0^{2b} (1) \cdot 1/EJ \, dx = \left[x \right]_0^{2b} \cdot 1/EJ$$

$$= (2b) \cdot 1/EJ = 2 \cdot b/EJ$$

$$L_{DA}^{xx} = \int_0^{2b} (1) \cdot 1/EJ \, dx = \left[x \right]_0^{2b} \cdot 1/EJ$$

$$= (2b) \cdot 1/EJ = 2 \cdot b/EJ$$

$$L_{DE}^{xx} = \int_0^b (1 - 2x/b + x^2/b^2) \cdot 1/EJ \, dx = \left[x - x^2/b + 1/3 x^3/b^2 \right]_0^b \cdot 1/EJ$$

$$= (b - b + 1/3 b) \cdot 1/EJ = 1/3 \cdot b/EJ$$

$$L_{ED}^{xx} = \int_0^b (x^2/b^2) \cdot 1/EJ \, dx = \left[1/3 x^3/b^2 \right]_0^b \cdot 1/EJ$$

$$= (1/3 b) \cdot 1/EJ = 1/3 \cdot b/EJ$$

$$L_{AB}^{xo} = \int_0^b (2x/b - 3/2 x^2/b^2 - 1/2 x^3/b^3) \cdot Fb \cdot 1/EJ \, dx + 1 \cdot 0 \cdot 1/4 \cdot Fb^2/EJ$$

$$= \left[x^2/b - 1/2 x^3/b^2 - 1/8 x^4/b^3 \right]_0^b \cdot Fb \cdot 1/EJ + 1 \cdot 0 \cdot 1/4 \cdot Fb^2/EJ$$

$$= (b - 1/2 b - 1/8 b) \cdot Fb \cdot 1/EJ + 1 \cdot 0 \cdot 1/4 \cdot Fb^2/EJ = 3/8 \cdot Fb^2/EJ$$

$$L_{BA}^{xo} = \int_0^b (5/2 x/b - 3 x^2/b^2 + 1/2 x^3/b^3) \cdot Fb \cdot 1/EJ \, dx + 1 \cdot 0 \cdot 1/4 \cdot Fb^2/EJ$$

$$= \left[5/4 x^2/b - x^3/b^2 + 1/8 x^4/b^3 \right]_0^b \cdot Fb \cdot 1/EJ + 1 \cdot 0 \cdot 1/4 \cdot Fb^2/EJ$$

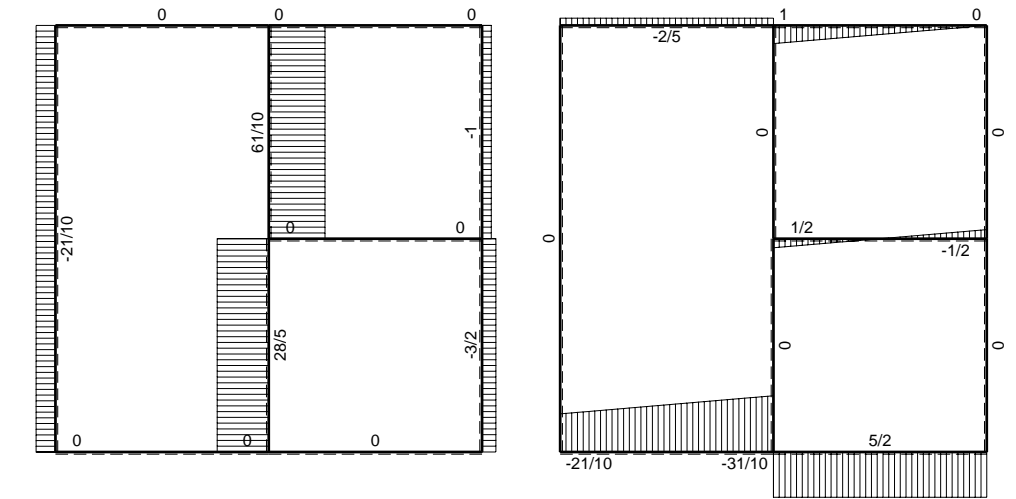
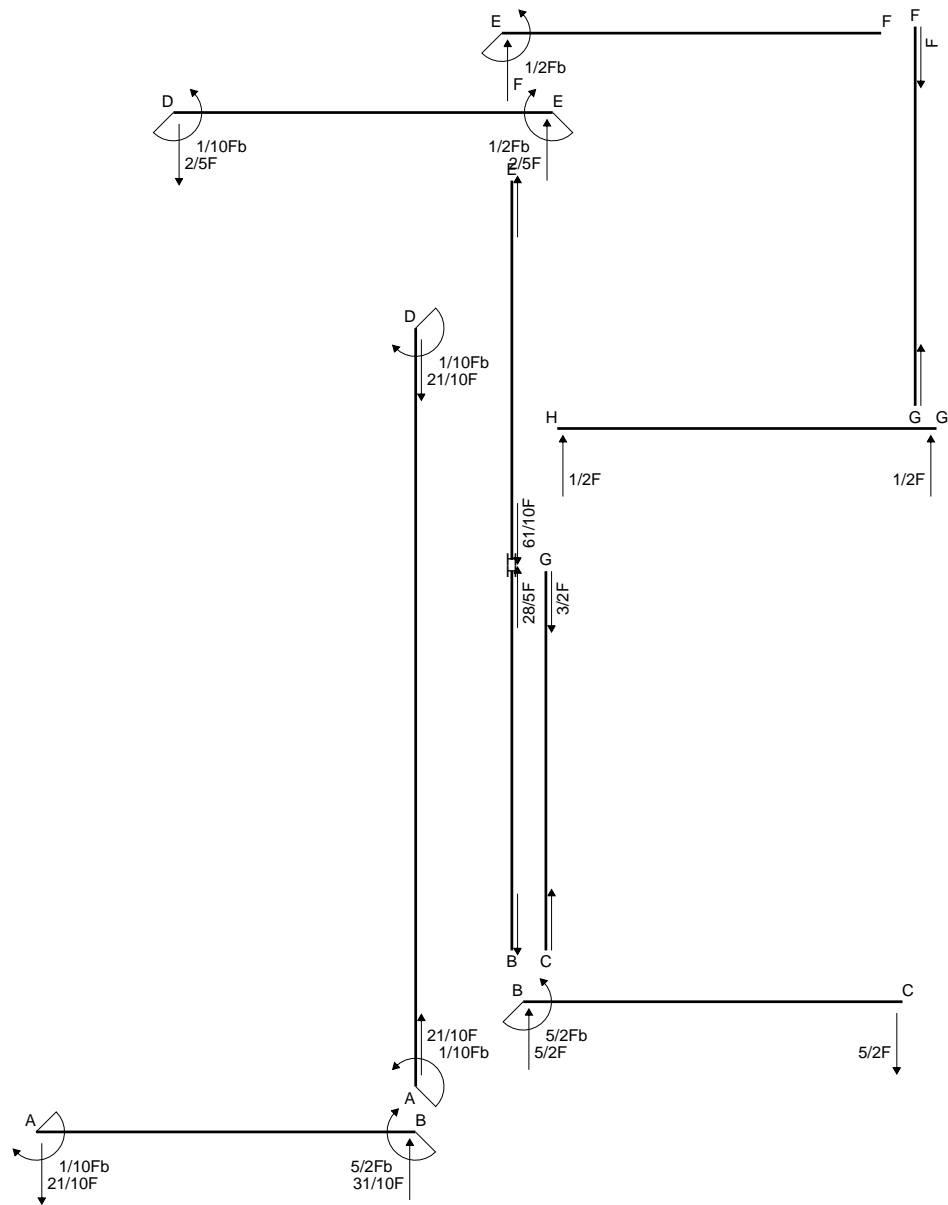
$$= (5/4 b - b + 1/8 b) \cdot Fb \cdot 1/EJ + 1 \cdot 0 \cdot 1/4 \cdot Fb^2/EJ = 3/8 \cdot Fb^2/EJ$$

$$L_{DE}^{xo} = \int_0^b (-1/2 x/b + 1/2 x^2/b^2) \cdot Fb \cdot 1/EJ \, dx = \left[-1/4 x^2/b + 1/6 x^3/b^2 \right]_0^b \cdot Fb \cdot 1/EJ$$

$$= (-1/4 b + 1/6 b) \cdot Fb \cdot 1/EJ = -1/12 \cdot Fb^2/EJ$$

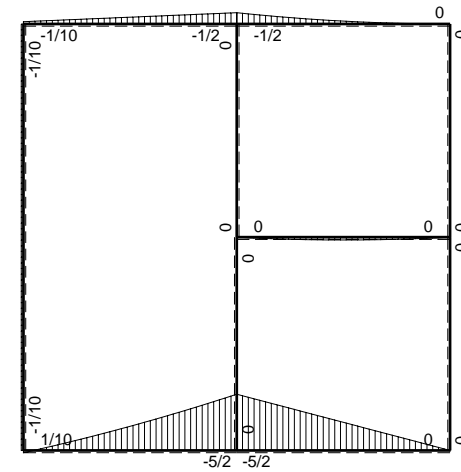
$$L_{ED}^{xo} = \int_0^b (-1/2 x/b + 1/2 x^2/b^2) \cdot Fb \cdot 1/EJ \, dx = \left[-1/4 x^2/b + 1/6 x^3/b^2 \right]_0^b \cdot Fb \cdot 1/EJ$$

$$= (-1/4 b + 1/6 b) \cdot Fb \cdot 1/EJ = -1/12 \cdot Fb^2/EJ$$

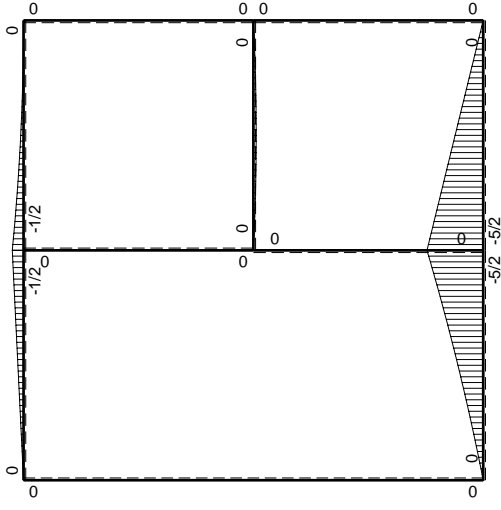
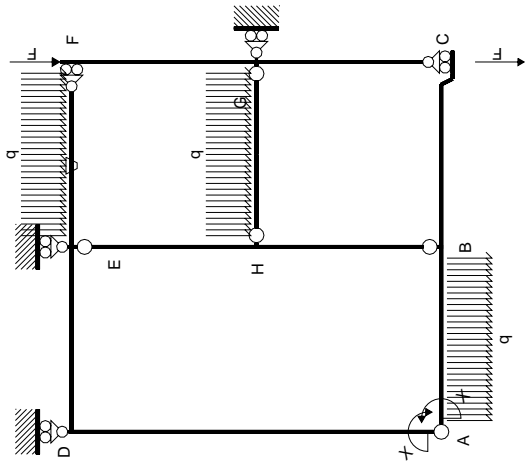


← ⊕ → F

↑ ⊕ ↓ F

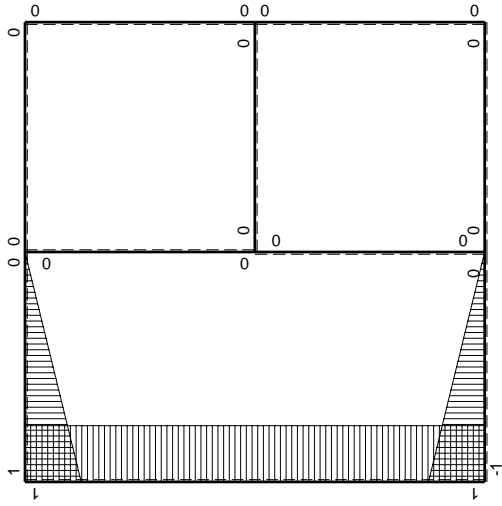


⊕ ⊖ F_b



Schema di calcolo iperstatico

M_0 flessione da carichi assegnati



M_X flessione da iperstatica $X=1$

Quadro contributi PLV per iperstatica $X=W_{AB}$

→	$M_x(x)$	$M_o(x)$	θ	$M_x M_o$	$M_x \theta$	$M_x M_x$	$\int M_x(M_o/EJ+\theta)dx$	$\int X M_x M_x/EJ dx$	
AB b	$-1+x/b$	$-2Fx-1/2qx^2$	0	$2Fx-3/2Fx^2/b-1/2qx^3/b$	0	$1-2x/b+x^2/b^2$	$(3/8+0)Fb^2/EJ$	$1/3Xb/EJ$	
BA b	x/b	$5/2Fb-3Fx+1/2qx^2$	0	$5/2Fx-3Fx^2/b+1/2qx^3/b$	0	x^2/b^2			
BC b	0	$-5/2Fb+5/2Fx$	0	0	0	0	0+0	0	
CB b	0	$5/2Fx$	0	0	0	0			
AD 2b	1	0	0	0	0	1	0+0	$2Xb/EJ$	
DA 2b	-1	0	0	0	0	1			
DE b	$1-x/b$	$-1/2Fx$	0	$-1/2Fx+1/2Fx^2/b$	0	$1-2x/b+x^2/b^2$	$(-1/12+0)Fb^2/EJ$	$1/3Xb/EJ$	
ED b	$-x/b$	$1/2Fb-1/2Fx$	0	$-1/2Fx+1/2Fx^2/b$	0	x^2/b^2			
EF b	0	$-1/2Fb+Fx-1/2qx^2$	$-Fb/EJ$	0	0	0	0+0	0	
FE b	0	$1/2qx^2$	Fb/EJ	0	0	0			
FG b	0	0	0	0	0	0	0+0	0	
GF b	0	0	0	0	0	0			
GC b	0	0	0	0	0	0	0+0	0	
CG b	0	0	0	0	0	0			
HG b	0	$1/2Fx-1/2qx^2$	0	0	0	0	0+0	0	
GH b	0	$-1/2Fx+1/2qx^2$	0	0	0	0			
HB b	0	0	0	0	0	0	0+0	0	
BH b	0	0	0	0	0	0			
HE b	0	0	0	0	0	0	0+0	0	
EH b	0	0	0	0	0	0			
AB	molla asta $-W_{1AB}(W_{0AB}+XW_{1AB})/k_{AB}$								$1/4Xb/EJ$
	totali							$7/24Fb^2/EJ$	$35/12Xb/EJ$
	iperstatica $X=W_{AB}$							$-1/10Fb$	

Sviluppi di calcolo iperstatica

$$L_{AB}^{xx} = \int_0^b (1 - 2x/b + x^2/b^2) \cdot 1/EJ \, dx + 1 \cdot 1/4 \cdot b/EJ = \left[x - x^2/b + 1/3 x^3/b^2 \right]_0^b \cdot 1/EJ + 1 \cdot 1/4 \cdot b/EJ$$

$$= (b - b + 1/3 b) \cdot 1/EJ + 1 \cdot 1/4 \cdot b/EJ = 7/12 \cdot b/EJ$$

$$L_{BA}^{xx} = \int_0^b (x^2/b^2) \cdot 1/EJ \, dx + 1 \cdot 1/4 \cdot b/EJ = \left[1/3 x^3/b^2 \right]_0^b \cdot 1/EJ + 1 \cdot 1/4 \cdot b/EJ$$

$$= (1/3 b) \cdot 1/EJ + 1 \cdot 1/4 \cdot b/EJ = 7/12 \cdot b/EJ$$

$$L_{AD}^{xx} = \int_0^{2b} (1) \cdot 1/EJ \, dx = \left[x \right]_0^{2b} \cdot 1/EJ$$

$$= (2b) \cdot 1/EJ = 2 \cdot b/EJ$$

$$L_{DA}^{xx} = \int_0^{2b} (1) \cdot 1/EJ \, dx = \left[x \right]_0^{2b} \cdot 1/EJ$$

$$= (2b) \cdot 1/EJ = 2 \cdot b/EJ$$

$$L_{DE}^{xx} = \int_0^b (1 - 2x/b + x^2/b^2) \cdot 1/EJ \, dx = \left[x - x^2/b + 1/3 x^3/b^2 \right]_0^b \cdot 1/EJ$$

$$= (b - b + 1/3 b) \cdot 1/EJ = 1/3 \cdot b/EJ$$

$$L_{ED}^{xx} = \int_0^b (x^2/b^2) \cdot 1/EJ \, dx = \left[1/3 x^3/b^2 \right]_0^b \cdot 1/EJ$$

$$= (1/3 b) \cdot 1/EJ = 1/3 \cdot b/EJ$$

$$L_{AB}^{xo} = \int_0^b (2x/b - 3/2 x^2/b^2 - 1/2 x^3/b^3) \cdot Fb \cdot 1/EJ \, dx + 1 \cdot 0 \cdot 1/4 \cdot Fb^2/EJ$$

$$= \left[x^2/b - 1/2 x^3/b^2 - 1/8 x^4/b^3 \right]_0^b \cdot Fb \cdot 1/EJ + 1 \cdot 0 \cdot 1/4 \cdot Fb^2/EJ$$

$$= (b - 1/2 b - 1/8 b) \cdot Fb \cdot 1/EJ + 1 \cdot 0 \cdot 1/4 \cdot Fb^2/EJ = 3/8 \cdot Fb^2/EJ$$

$$L_{BA}^{xo} = \int_0^b (5/2 x/b - 3 x^2/b^2 + 1/2 x^3/b^3) \cdot Fb \cdot 1/EJ \, dx + 1 \cdot 0 \cdot 1/4 \cdot Fb^2/EJ$$

$$= \left[5/4 x^2/b - x^3/b^2 + 1/8 x^4/b^3 \right]_0^b \cdot Fb \cdot 1/EJ + 1 \cdot 0 \cdot 1/4 \cdot Fb^2/EJ$$

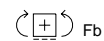
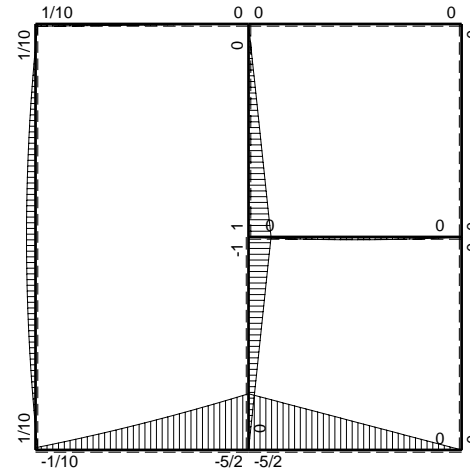
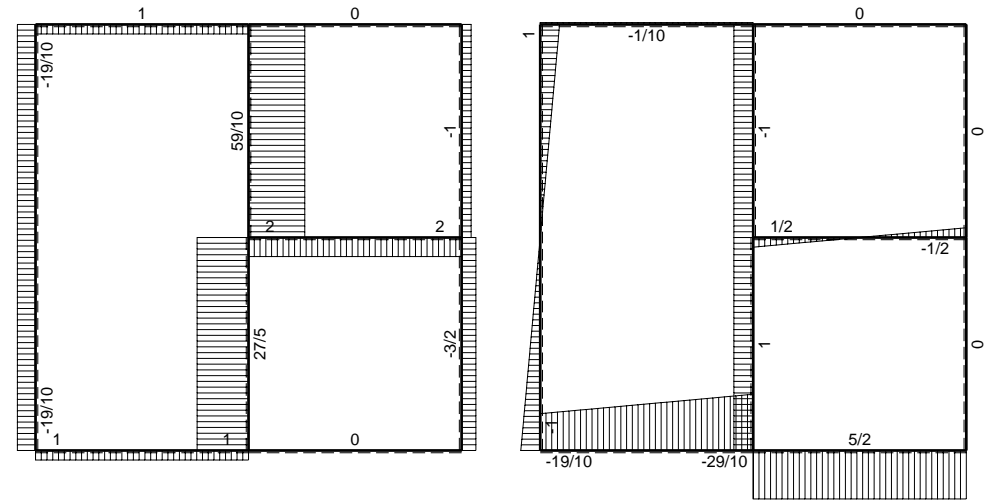
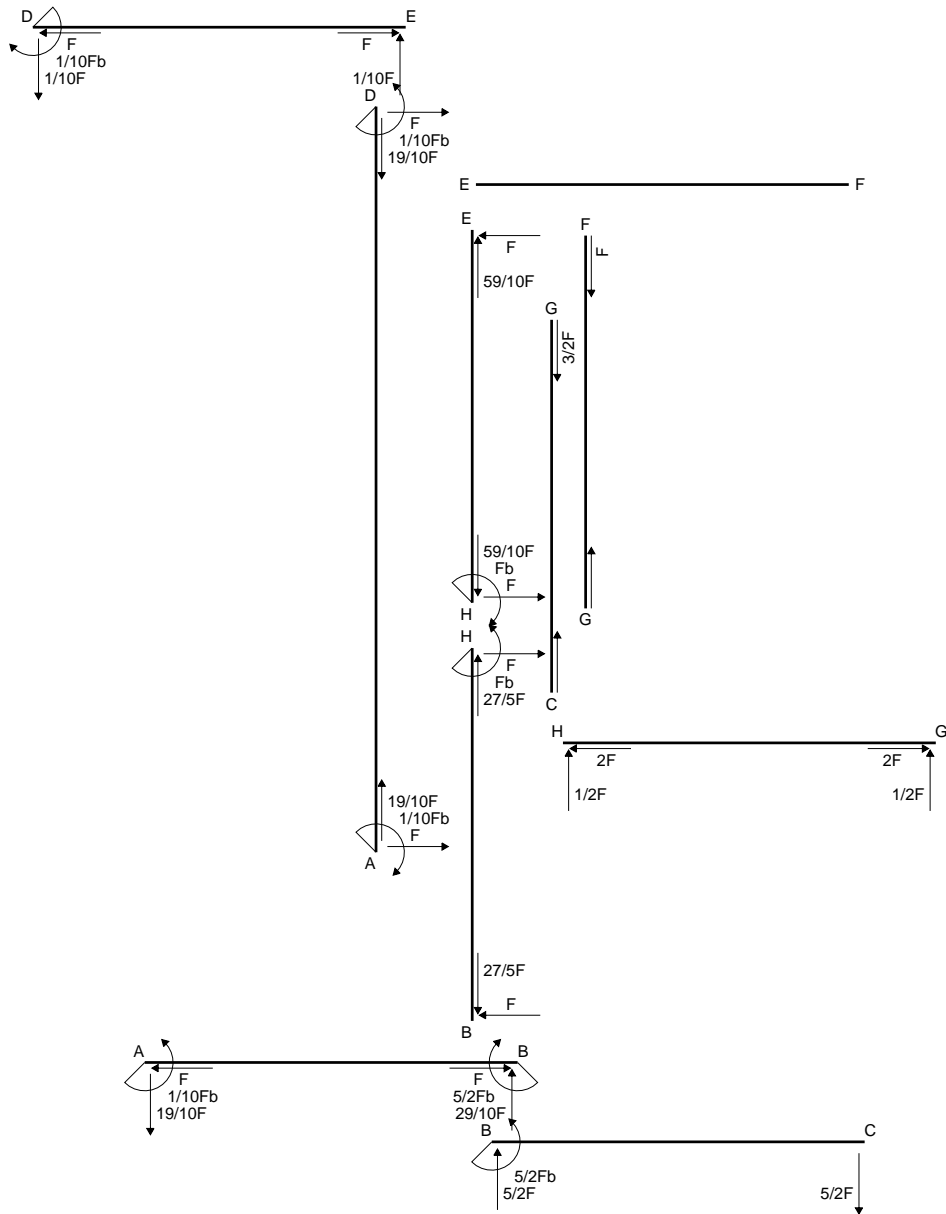
$$= (5/4 b - b + 1/8 b) \cdot Fb \cdot 1/EJ + 1 \cdot 0 \cdot 1/4 \cdot Fb^2/EJ = 3/8 \cdot Fb^2/EJ$$

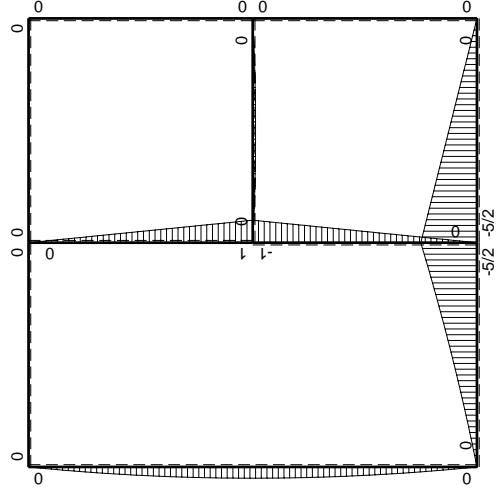
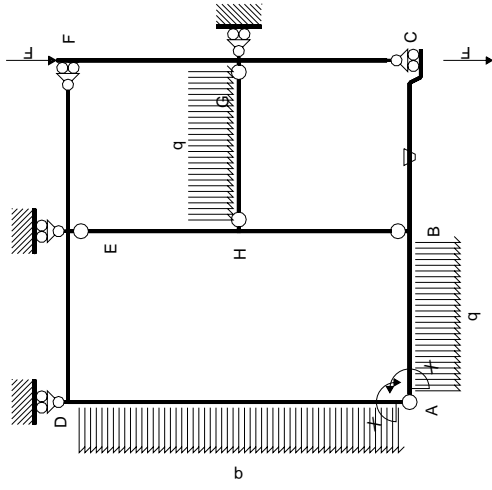
$$L_{DE}^{xo} = \int_0^b (-1/2 x/b + 1/2 x^2/b^2) \cdot Fb \cdot 1/EJ \, dx = \left[-1/4 x^2/b + 1/6 x^3/b^2 \right]_0^b \cdot Fb \cdot 1/EJ$$

$$= (-1/4 b + 1/6 b) \cdot Fb \cdot 1/EJ = -1/12 \cdot Fb^2/EJ$$

$$L_{ED}^{xo} = \int_0^b (-1/2 x/b + 1/2 x^2/b^2) \cdot Fb \cdot 1/EJ \, dx = \left[-1/4 x^2/b + 1/6 x^3/b^2 \right]_0^b \cdot Fb \cdot 1/EJ$$

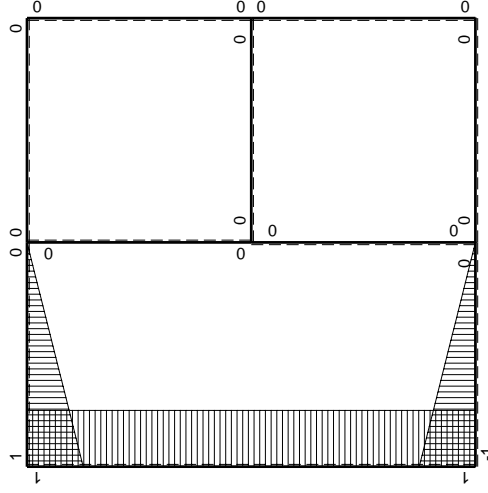
$$= (-1/4 b + 1/6 b) \cdot Fb \cdot 1/EJ = -1/12 \cdot Fb^2/EJ$$





Schema di calcolo iperstatico

M_0 flessione da carichi assegnati



M_x flessione da iperstatica $X=1$

Quadro contributi PLV per iperstatica $X=W_{AB}$

→	$M_x(x)$	$M_o(x)$	θ	$M_x M_o$	$M_x \theta$	$M_x M_x$	$\int M_x(M_o/EJ+\theta)dx$	$\int X M_x M_x/EJ dx$	
AB b	$-1+x/b$	$-2Fx-1/2qx^2$	0	$2Fx-3/2Fx^2/b-1/2qx^3/b$	0	$1-2x/b+x^2/b^2$	$(3/8+0)Fb^2/EJ$	$1/3Xb/EJ$	
BA b	x/b	$5/2Fb-3Fx+1/2qx^2$	0	$5/2Fx-3Fx^2/b+1/2qx^3/b$	0	x^2/b^2			
BC b	0	$-5/2Fb+5/2Fx$	$-Fb/EJ$	0	0	0	0+0	0	
CB b	0	$5/2Fx$	Fb/EJ	0	0	0			
AD 2b	1	$-Fx+1/2qx^2$	0	$-Fx+1/2Fx^2/b$	0	1	$(-2/3+0)Fb^2/EJ$	$2Xb/EJ$	
DA 2b	-1	$Fx-1/2qx^2$	0	$-Fx+1/2Fx^2/b$	0	1			
DE b	$1-x/b$	0	0	0	0	$1-2x/b+x^2/b^2$	0+0	$1/3Xb/EJ$	
ED b	$-x/b$	0	0	0	0	x^2/b^2			
EF b	0	0	0	0	0	0	0+0	0	
FE b	0	0	0	0	0	0			
FG b	0	0	0	0	0	0	0+0	0	
GF b	0	0	0	0	0	0			
GC b	0	0	0	0	0	0	0+0	0	
CG b	0	0	0	0	0	0			
HG b	0	$1/2Fx-1/2qx^2$	0	0	0	0	0+0	0	
GH b	0	$-1/2Fx+1/2qx^2$	0	0	0	0			
HB b	0	$-Fb+Fx$	0	0	0	0	0+0	0	
BH b	0	Fx	0	0	0	0			
HE b	0	$Fb-Fx$	0	0	0	0	0+0	0	
EH b	0	$-Fx$	0	0	0	0			
AB	molla asta $-W_{1AB}(W_{0AB}+XW_{1AB})/k_{AB}$								$1/4Xb/EJ$
	totali							$-7/24Fb^2/EJ$	$35/12Xb/EJ$
	iperstatica $X=W_{AB}$							$1/10Fb$	

Sviluppi di calcolo iperstatica

$$L_{AB}^{xx} = \int_0^b (1 - 2x/b + x^2/b^2) \cdot 1/EJ \, dx + 1 \cdot 1/4 \cdot b/EJ = \left[x - x^2/b + 1/3 x^3/b^2 \right]_0^b \cdot 1/EJ + 1 \cdot 1/4 \cdot b/EJ$$

$$= (b - b + 1/3 b) \cdot 1/EJ + 1 \cdot 1/4 \cdot b/EJ = 7/12 \cdot b/EJ$$

$$L_{BA}^{xx} = \int_0^b (x^2/b^2) \cdot 1/EJ \, dx + 1 \cdot 1/4 \cdot b/EJ = \left[1/3 x^3/b^2 \right]_0^b \cdot 1/EJ + 1 \cdot 1/4 \cdot b/EJ$$

$$= (1/3 b) \cdot 1/EJ + 1 \cdot 1/4 \cdot b/EJ = 7/12 \cdot b/EJ$$

$$L_{AD}^{xx} = \int_0^{2b} (1) \cdot 1/EJ \, dx = \left[x \right]_0^{2b} \cdot 1/EJ$$

$$= (2b) \cdot 1/EJ = 2 \cdot b/EJ$$

$$L_{DA}^{xx} = \int_0^{2b} (1) \cdot 1/EJ \, dx = \left[x \right]_0^{2b} \cdot 1/EJ$$

$$= (2b) \cdot 1/EJ = 2 \cdot b/EJ$$

$$L_{DE}^{xx} = \int_0^b (1 - 2x/b + x^2/b^2) \cdot 1/EJ \, dx = \left[x - x^2/b + 1/3 x^3/b^2 \right]_0^b \cdot 1/EJ$$

$$= (b - b + 1/3 b) \cdot 1/EJ = 1/3 \cdot b/EJ$$

$$L_{ED}^{xx} = \int_0^b (x^2/b^2) \cdot 1/EJ \, dx = \left[1/3 x^3/b^2 \right]_0^b \cdot 1/EJ$$

$$= (1/3 b) \cdot 1/EJ = 1/3 \cdot b/EJ$$

$$L_{AB}^{xo} = \int_0^b (2x/b - 3/2 x^2/b^2 - 1/2 x^3/b^3) \cdot Fb \cdot 1/EJ \, dx + 1 \cdot 0 \cdot 1/4 \cdot Fb^2/EJ$$

$$= \left[x^2/b - 1/2 x^3/b^2 - 1/8 x^4/b^3 \right]_0^b \cdot Fb \cdot 1/EJ + 1 \cdot 0 \cdot 1/4 \cdot Fb^2/EJ$$

$$= (b - 1/2 b - 1/8 b) \cdot Fb \cdot 1/EJ + 1 \cdot 0 \cdot 1/4 \cdot Fb^2/EJ = 3/8 \cdot Fb^2/EJ$$

$$L_{BA}^{xo} = \int_0^b (5/2 x/b - 3 x^2/b^2 + 1/2 x^3/b^3) \cdot Fb \cdot 1/EJ \, dx + 1 \cdot 0 \cdot 1/4 \cdot Fb^2/EJ$$

$$= \left[5/4 x^2/b - x^3/b^2 + 1/8 x^4/b^3 \right]_0^b \cdot Fb \cdot 1/EJ + 1 \cdot 0 \cdot 1/4 \cdot Fb^2/EJ$$

$$= (5/4 b - b + 1/8 b) \cdot Fb \cdot 1/EJ + 1 \cdot 0 \cdot 1/4 \cdot Fb^2/EJ = 3/8 \cdot Fb^2/EJ$$

$$L_{AD}^{xo} = \int_0^{2b} (-x/b + 1/2 x^2/b^2) \cdot Fb \cdot 1/EJ \, dx = \left[-1/2 x^2/b + 1/6 x^3/b^2 \right]_0^{2b} \cdot Fb \cdot 1/EJ$$

$$= (-2b + 4/3 b) \cdot Fb \cdot 1/EJ = -2/3 \cdot Fb^2/EJ$$

$$L_{DA}^{xo} = \int_0^{2b} (-x/b + 1/2 x^2/b^2) \cdot Fb \cdot 1/EJ \, dx = \left[-1/2 x^2/b + 1/6 x^3/b^2 \right]_0^{2b} \cdot Fb \cdot 1/EJ$$

$$= (-2b + 4/3 b) \cdot Fb \cdot 1/EJ = -2/3 \cdot Fb^2/EJ$$